

97C Upright Bike Base - Heart Rate

97C-ALLXX-06

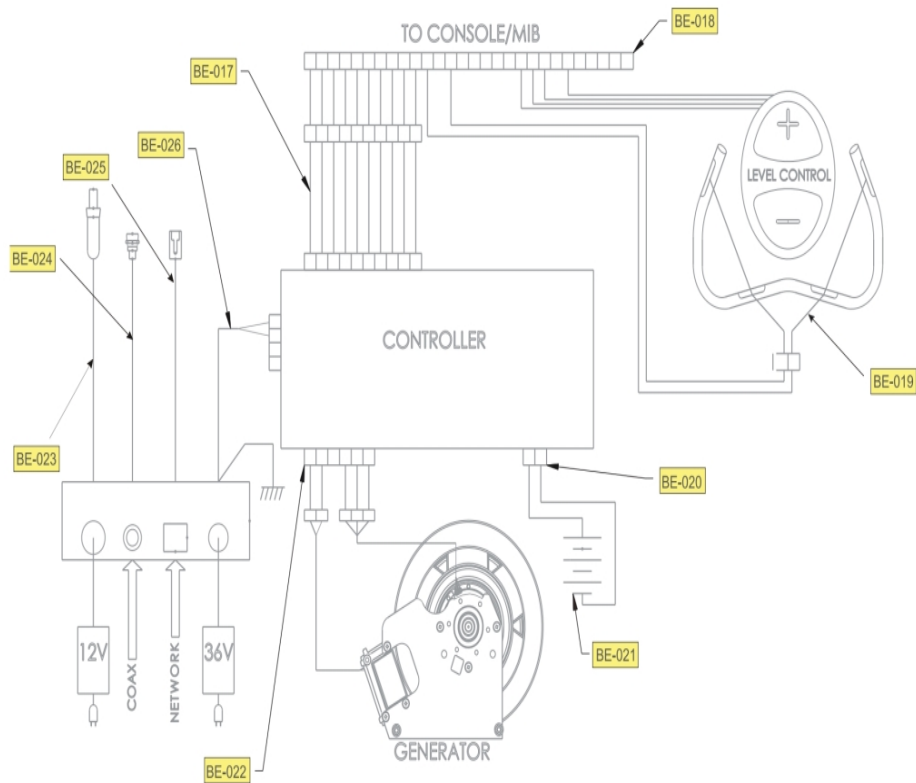
Parts Manual

1/5/2019 11:40:39 AM

Table of Contents

| | |
|---|--------------------|
| Base Frame Electronics - Cables..... | 3 |
| Base Frame Electronics - Generator and Related Components..... | 4 |
| Base Frame Electronics - Idler Assembly..... | 5 |
| Drive System - Pedals and Cranks..... | 6 |
| Heart Rate System - Handlebar and Components..... | 7 |
| Lower Frame - Front Stabilizer and Components..... | 8 |
| Lower Frame - Leg Leveler and Rear Stabilizer..... | 9 |
| Miscellaneous..... | 10 |
| Upper Frame - Monocolumn and Console Mounting Bracket..... | 11 |
| Upper Frame - Seat and Seat Post Components..... | 12 |
| Upper Frame - Shrouds - Console..... | 14 |
| Upper Frame - Shrouds - Front and Seat..... | 15 |
| Upper Frame - Shrouds - (Left, Right, Step) and GBC Shield..... | 16 |

Base Frame Electronics - Cables

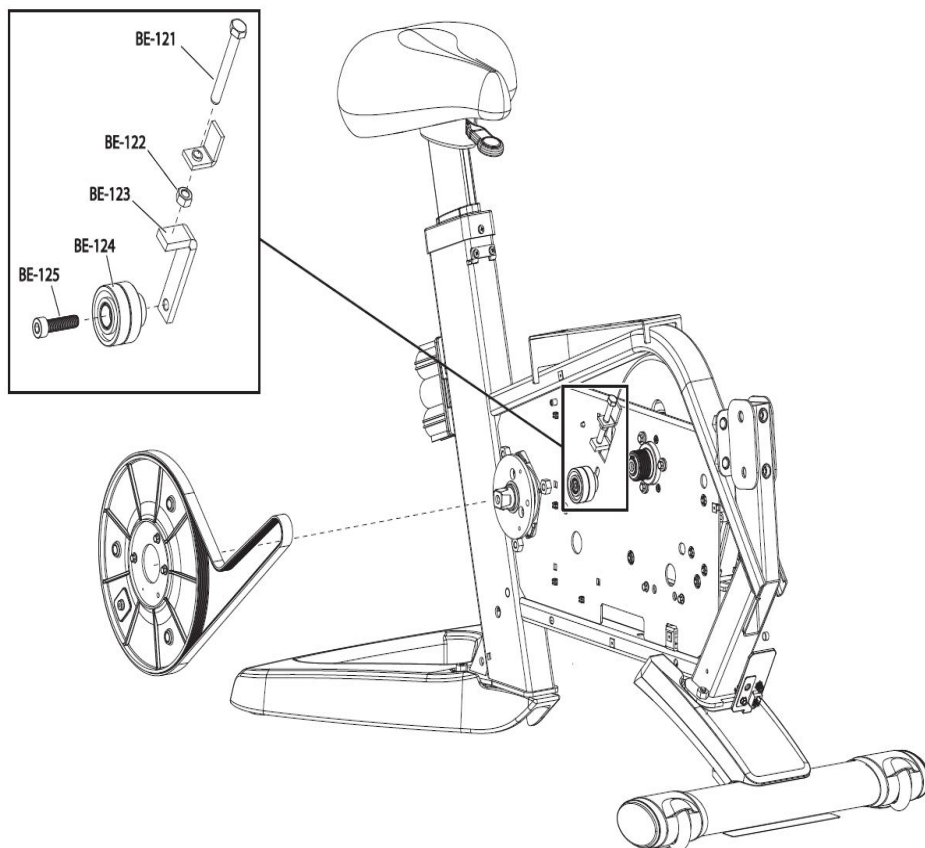


| Ref # | Part Number | Qty | Description |
|--------|-----------------|-----|---|
| BE-017 | AK66-00107-0000 | 1 | Generator/Brake Cable |
| BE-018 | AK92-00065-0000 | 1 | EXTERNAL POWER WITH GROUND CABLE ASSEMBLY |
| BE-019 | AK92-00045-0001 | 1 | CABLE ASSY, EXTENSION TO CONSOLE(UPRIGHT) |
| BE-020 | AK70-00092-0000 | 1 | CABLE ASSY: CAT5E, V2, 84 INCH |
| BE-022 | 0017-00003-1091 | 1 | POWER SUPPLY: 24VDC, 5A |
| BE-023 | AK92-00064-0000 | 1 | PCB TO EXTENSION CABLE ASSEMBLY |
| BE-024 | AK26-00348-0001 | 1 | Jumper Ground Cable |
| BE-025 | AK63-00028-0001 | 1 | LifePulse Cable |
| BE-026 | AK65-00062-0000 | 1 | Cable: Coax RG6 Base |

Base Frame Electronics - Generator and Related Components

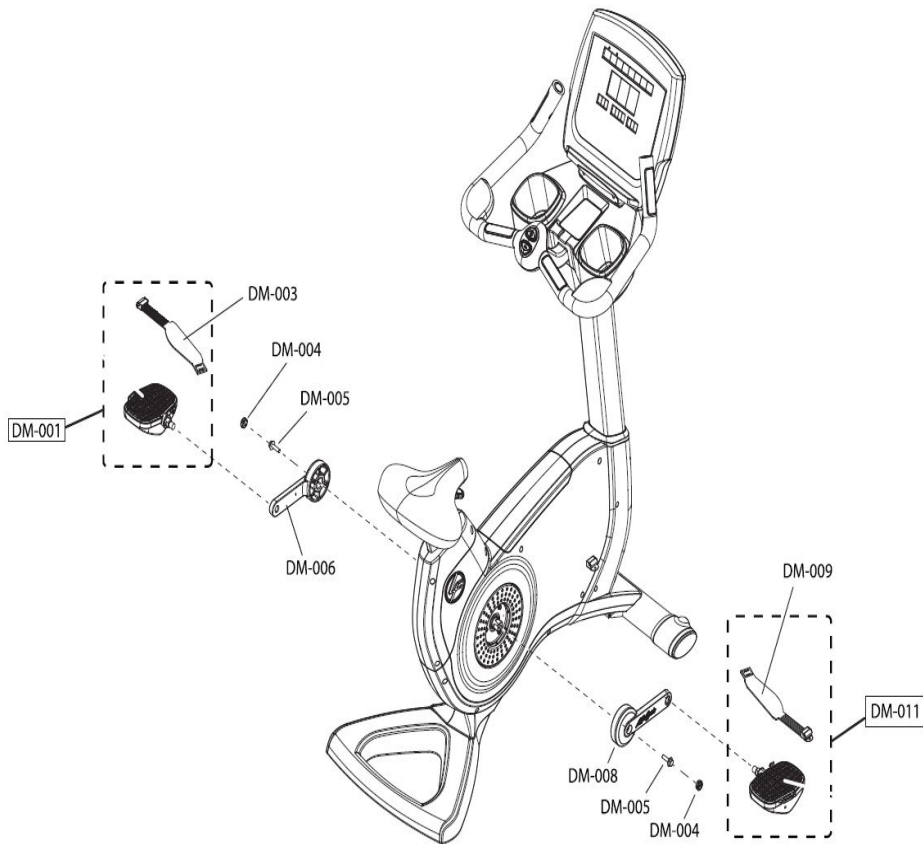
| Ref # | Part Number | Qty | Description |
|----------------|-----------------|-----|---|
| BE-101, BE-104 | 0017-00101-2102 | 5 | SCR: M5 X 0.8 6G6G X 10 HEX FLG L CS ST |
| BE-102 | 0017-00101-1894 | 3 | Hardware: Idler Assembly Mounting Bolt 16MM |
| BE-103 | 0017-00104-0330 | 6 | Hardware: Flat Washers 0.562" OD |
| BE-105 | 0K76-01068-0000 | 1 | Pulley |
| BE-106 | 0017-00009-1298 | 1 | BELT: POLYV;460J8 |
| BE-107 | 0017-00101-1838 | 4 | Hardware: Mounting Screw 19 MM |
| BE-108 | A084-92389-0001 | 1 | PROGRAMMED PCB: B084-92389-0001 |
| BE-109 | 0017-00042-1229 | 1 | SPACER: ROUND PLASTIC |
| BE-110 | AK66-00151-0000 | 1 | HUB ASSY: CRANKSHAFT, UNIPLATE |
| BE-111 | 0017-00104-0469 | 3 | Hardware: Flat Washer 16MM OD |
| BE-112 | 0017-00101-2002 | 3 | Hardware: Tension Bolt 60MM |
| BE-113 | AK66-00172-0000 | 1 | ASSY: GENERATOR/PULLEY; UNIPLATE, AP1/AP2, MFG. |
| BE-114 | AK66-00165-0000 | 1 | NC: PULLEY ASSY: W/CLUTCH, UNIPLATE, ISO/DIN |
| BE-115 | 0K66-01237-0000 | 1 | Hardware: Shaft Washer Large |
| BE-116 | 0017-00104-0498 | 1 | Hardware: Shaft Washer Small .734" OD |
| BE-117 | 0017-00100-0257 | 1 | Retaining Ring |
| BE-118 | 0017-00101-1874 | 1 | Hardware: Handle Mounting Screw 16 MM |

Base Frame Electronics - Idler Assembly



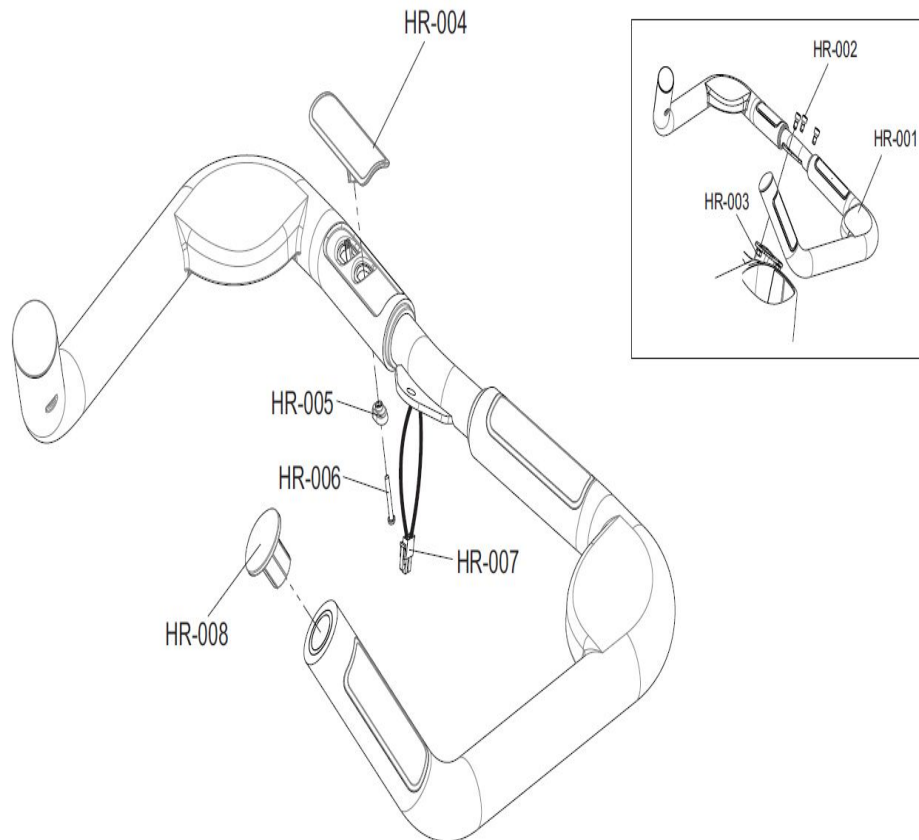
| Ref # | Part Number | Qty | Description |
|--------|-----------------|-----|-----------------------------------|
| BE-121 | 0017-00101-2002 | 1 | Hardware: Tension Bolt 60MM |
| BE-122 | 0017-00103-0328 | 1 | Hardware: Nut 8 MM ID |
| BE-123 | 0K66-01254-0000 | 1 | BRKT: TENSIONER |
| BE-124 | AK66-00173-0000 | 1 | ASSY: IDLER & POST; AP1/AP2, MFG. |
| BE-125 | 0017-00101-1982 | 1 | Hardware: Mounting Bolt 35MM |

Drive System - Pedals and Cranks



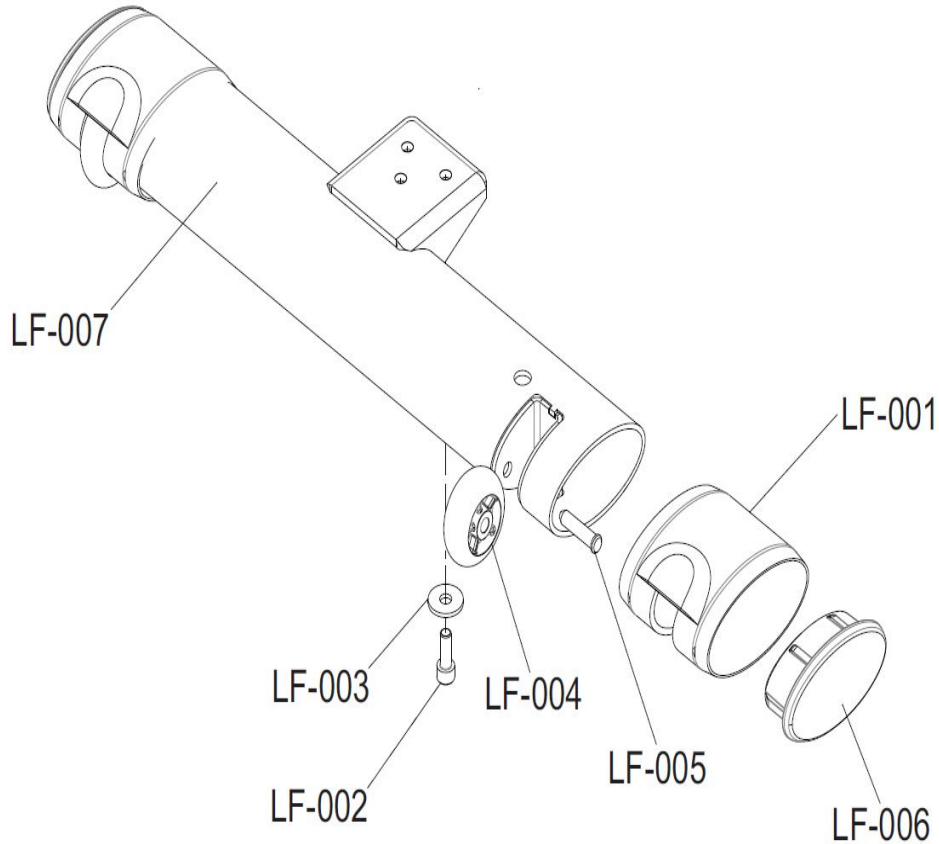
| Ref # | Part Number | Qty | Description |
|--------|-----------------|-----|-------------------------------|
| DM-001 | AK66-00048-0001 | 1 | Left Pedal W/ Strap Assembly |
| DM-003 | AK66-00135-0000 | 1 | Strap Assembly: Pedal; Left |
| DM-004 | 0K66-01121-0000 | 2 | Crank Cap |
| DM-005 | 0017-00101-2077 | 2 | Hardware: Screw 30MM |
| DM-006 | 0K76-01053-0000 | 1 | Left Crank Arm |
| DM-008 | 0K76-01054-0000 | 1 | Right Crank Arm |
| DM-009 | AK66-00136-0000 | 1 | Strap Assembly: Pedal; Right |
| DM-011 | AK66-00047-0001 | 1 | Right Pedal W/ Strap Assembly |

Heart Rate System - Handlebar and Components



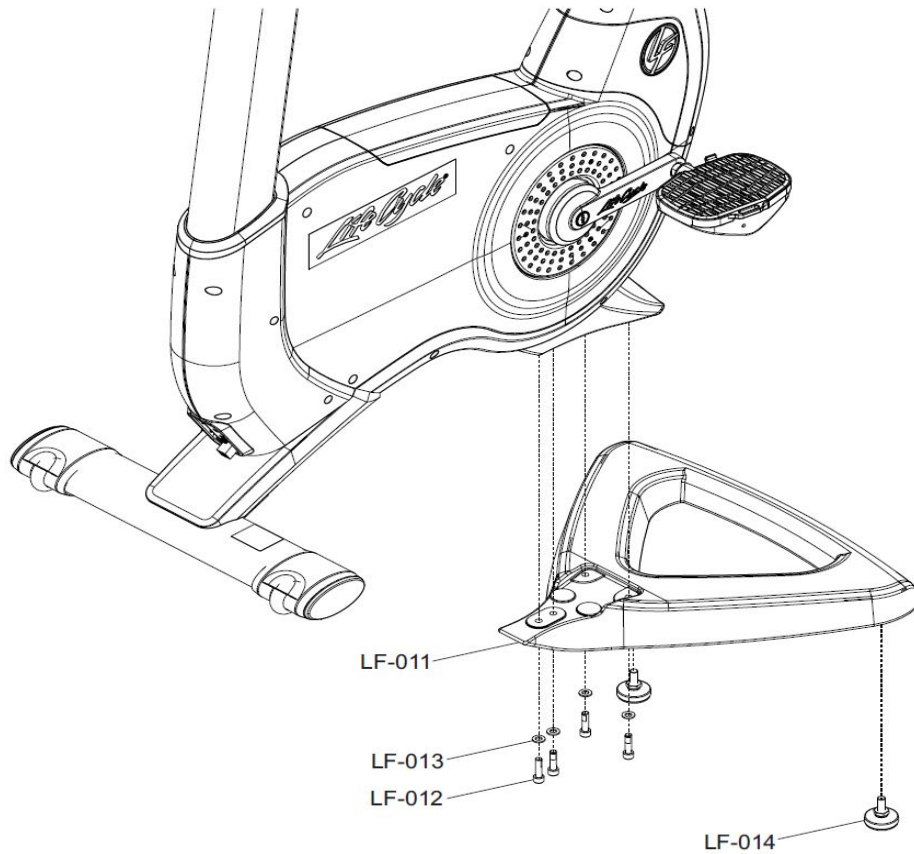
| Ref # | Part Number | Qty | Description |
|--------|-----------------|-----|-------------------------------|
| HR-001 | AK67-00006-0000 | 1 | Handlebar Assembly |
| HR-002 | 0017-00101-1920 | 1 | Hardware: Mounting Screw 16MM |
| HR-003 | 0017-00103-0341 | 1 | Hardware: Hex Nut 8 MM |
| HR-004 | AK63-00014-0004 | 2 | Heart Rate Electrode |
| HR-005 | 0K66-01141-0000 | 2 | Insulator Plug |
| HR-006 | 0017-00101-1720 | 2 | Hardware: Mounting Screw 1" |
| HR-007 | AK63-00028-0001 | 1 | LifePulse Cable |
| HR-008 | 0K63-01114-0000 | 2 | Cap |

Lower Frame - Front Stabilizer and Components



| Ref # | Part Number | Qty | Description |
|--------|-----------------|-----|---------------------------------|
| LF-001 | 0K66-01041-0000 | 2 | Shorud Stabilizer Front |
| LF-002 | 0017-00101-1881 | 3 | Hardware: Screw 20 MM |
| LF-003 | 0017-00104-0479 | 3 | Hardware: Flat Washer 25.4MM OD |
| LF-004 | 0K66-01039-0000 | 2 | Wheel |
| LF-005 | 0K66-01040-0000 | 1 | Wheel Shaft |
| LF-006 | 0K66-01042-0000 | 2 | End Cap (Front and Rear) |
| LF-007 | AK66-00016-0000 | 1 | Front Stabilizer |
| LF-008 | 0K69-01255-2400 | 1 | POWER BRICK CLIP; CHGR |

Lower Frame - Leg Leveler and Rear Stabilizer

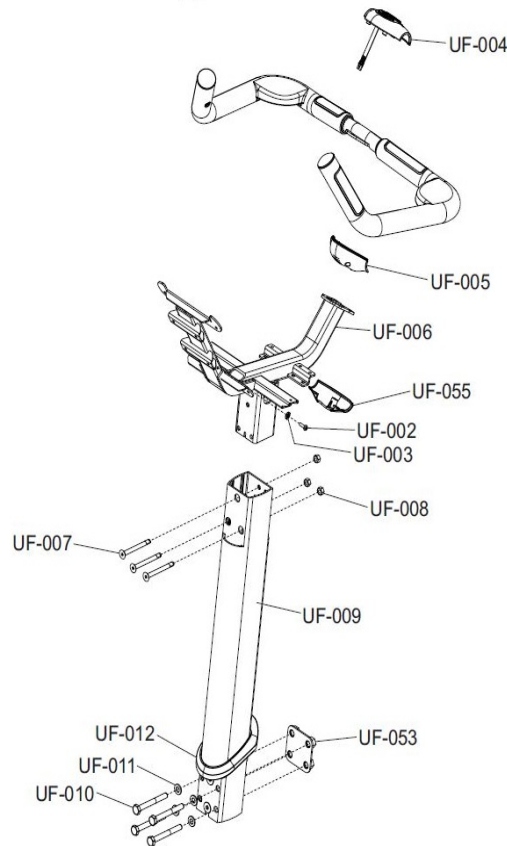


| Ref # | Part Number | Qty | Description |
|--------|-----------------|-----|--|
| LF-011 | 0K67-01124-0200 | 1 | STABILIZER: BIKE; REAR |
| LF-012 | 0017-00101-1882 | 2 | Hardware: Stabilizer Mounting Screw 30MM |
| LF-013 | 0017-00104-0469 | 2 | Hardware: Flat Washer 16MM OD |
| LF-014 | AK62-00124-0000 | 2 | Leg Leveler |

Miscellaneous

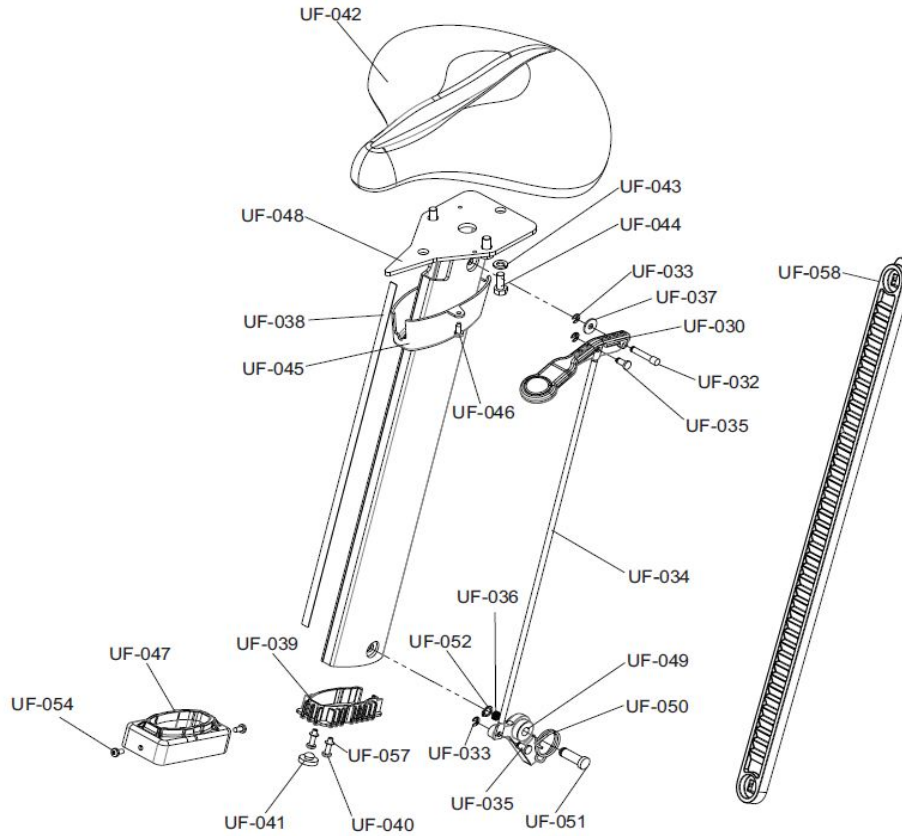
| Ref # | Part Number | Qty | Description |
|----------|-----------------|-----|---------------------------------|
| MISC-002 | 0017-00003-1091 | 1 | POWER SUPPLY: 24VDC, 5A |
| MISC-003 | 0017-00003-1053 | 1 | LINE-CORD: BRAZIL, IEC-C13 |
| MISC-003 | 0017-00003-0918 | 1 | Line Cord - Australia |
| MISC-003 | 0017-00003-0889 | 1 | Line Cord Cont U.K. 10A |
| MISC-003 | 0017-00003-0691 | 1 | Line Cord Cont 10A 250 V |
| MISC-003 | 0017-00003-0704 | 1 | Line Cord 10A 125 V |
| MISC-004 | 0017-00008-0204 | 1 | Paint Spray Can - Arctic Silver |
| MISC-005 | 0017-00008-0205 | 1 | 5 oz Bottle - Arctic Silver |
| MISC-006 | 0017-00008-0206 | 1 | .33oz Pen - Arctic Silver |
| MISC-007 | AK66-00161-0000 | 1 | BRKT ASSY: POWER/COAX INPUT |
| MISC-008 | 0K66-01063-0000 | 1 | Power Coax Bracket |
| MISC-009 | 0017-00021-2846 | 1 | F-Type Panel Connector |
| MISC-010 | 0017-00021-3195 | 1 | COUPLER: CAT5E, SHIELDED, RJ45 |

Upper Frame - Monocolumn and Console Mounting Bracket



| Ref # | Part Number | Qty | Description |
|--------|-----------------|-----|---|
| UF-002 | 0017-00101-1986 | 1 | Hardware: Mounting Screw 16MM |
| UF-003 | 0017-00104-0460 | 1 | Hardware: Lockwasher 0.562" OD |
| UF-004 | AK67-00029-0000 | 1 | Level Control Assembly |
| UF-005 | 0K67-01051-0000 | 1 | Bottom Front Handlebar Cover |
| UF-006 | AK67-00048-0000 | 1 | FRAME: CONSOLE MTG ASSY; UPRIGHT; PURCH |
| UF-007 | 0017-00101-2019 | 1 | Hardware: Mounting Screw 85MM |
| UF-008 | 0017-00103-0341 | 1 | Hardware: Hex Nut 8 MM |
| UF-009 | 0K67-01129-0000 | 1 | EXTRUSION: MONOCOLUMN; 95C ARC |
| UF-010 | 0017-00101-2035 | 4 | Hardware: Mounting Screw |
| UF-011 | 0017-00104-0470 | 4 | Hardware: Washer 20 MM OD |
| UF-012 | 0K67-01039-0000 | 1 | Upright Gasket |
| UF-053 | AK66-00158-0000 | 1 | WELD ASSY: NUTPLATE; MONOCOLUMN, UNIPLATE |
| UF-055 | 0K67-01052-0000 | 1 | Bottom Rear Handlebar Cover |

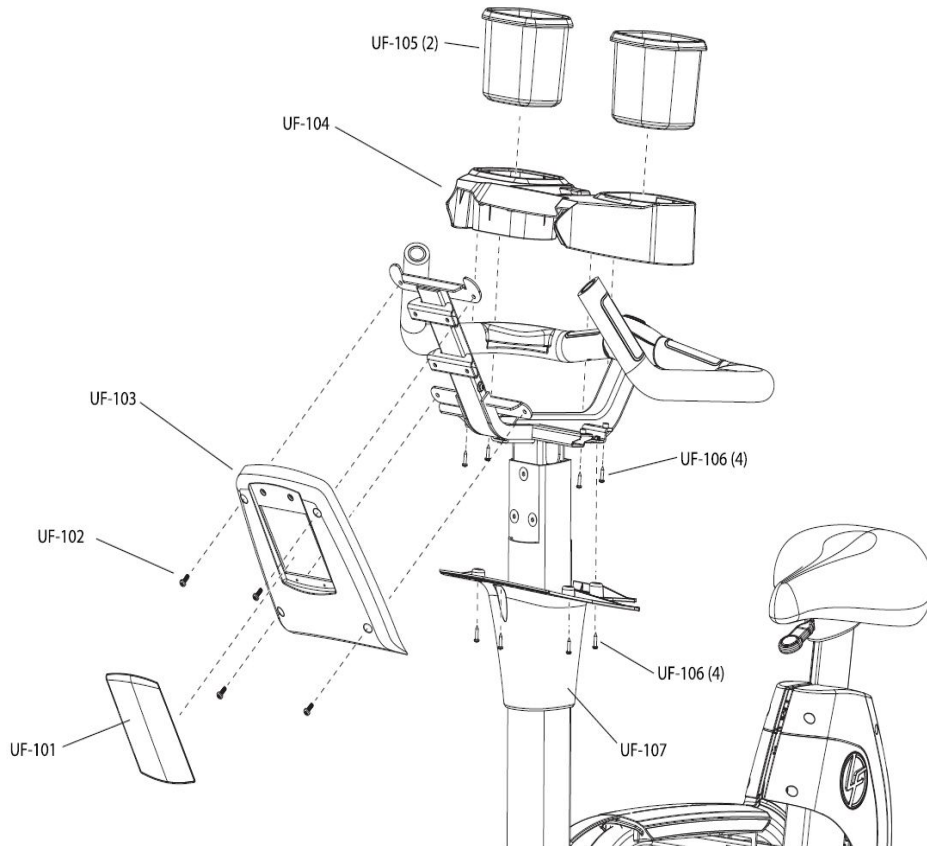
Upper Frame - Seat and Seat Post Components



| Ref # | Part Number | Qty | Description |
|--------|-----------------|-----|----------------------------------|
| UF-030 | 0K67-01111-0000 | 1 | Up/Down Handle |
| UF-032 | 0K67-01112-0000 | 1 | Hardware: Handle Pivot Pin |
| UF-033 | 0017-00100-0250 | 1 | E Ring |
| UF-034 | 0K67-01008-0000 | 1 | Up/Down Rod |
| UF-035 | 0K67-01014-0000 | 1 | Hardware: Rod Pins |
| UF-036 | 0017-00009-1285 | 1 | Ware Spring |
| UF-037 | 0017-00104-0468 | 1 | Hardware: Washer 18 MM OD |
| UF-038 | 0K67-01089-0000 | 1 | SEAT: POSITION DECAL UPRIGHT XXL |
| UF-039 | 0K67-01060-0000 | 1 | Seat Post Guide Base |
| UF-040 | 0017-00101-1747 | 2 | Hardware: Pan Screw 0.75" |
| UF-041 | 0017-00042-1131 | 1 | Bumper |
| UF-042 | AK63-00229-0003 | 1 | Deluxe Seat |
| UF-043 | 0017-00104-0064 | 1 | Hardware: Lock Washer 0.586" OD |
| UF-044 | 0017-00101-1121 | 2 | Hardware: Bolt 4.6875" |
| UF-045 | 0K67-01067-0000 | 1 | Seat Post Shroud |
| UF-046 | 0017-00101-1776 | 2 | Hardware: Mounting Screw 0.5" |
| UF-047 | 0K67-01146-0000 | 1 | GUIDE CAP: SEAT POST |
| UF-048 | AK67-00003-0001 | 1 | Seat Post Weldment - Upright |
| UF-049 | 0K67-01009-0001 | 1 | Up/Down Latch |
| UF-050 | 0K67-01010-0000 | 1 | Up/Down Spring |
| UF-051 | 0K67-01017-0000 | 1 | Hardware: Latch Pivot Pin |
| UF-052 | 0017-00100-0253 | 1 | Retaining Ring |

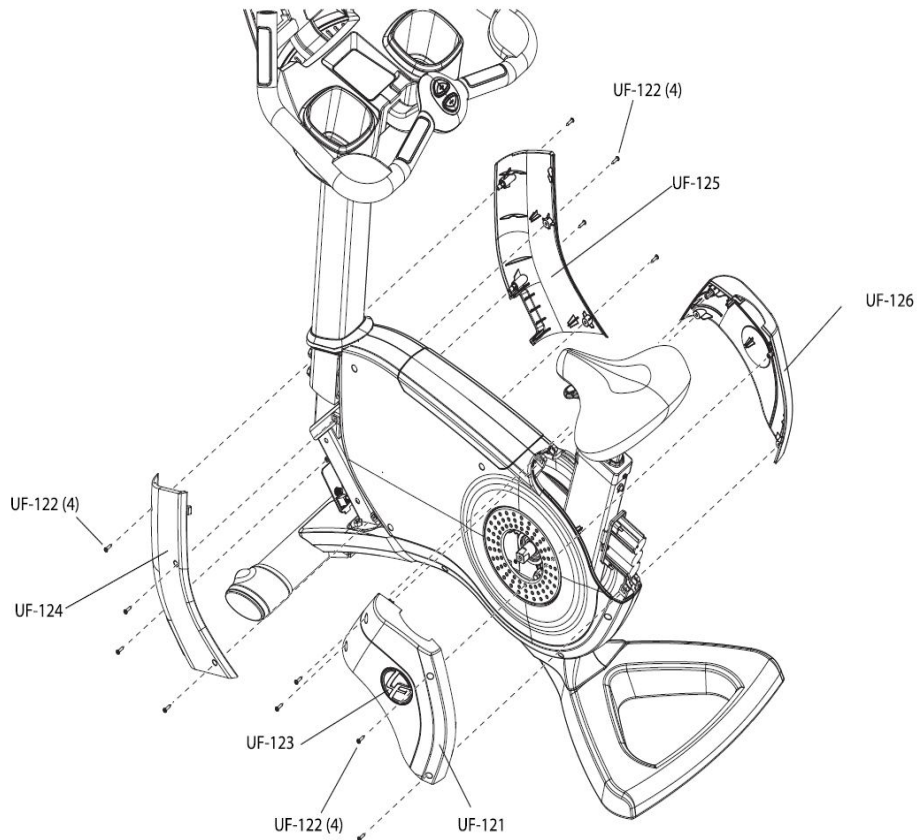
| Ref # | Part Number | Qty | Description |
|--------------|--------------------|------------|---------------------------------|
| UF-054 | 0017-00101-2011 | 2 | Hardware: Screw 10MM |
| UF-057 | 0017-00104-0411 | 2 | Hardware: Flat Washer 0.375" OD |
| UF-058 | 0K67-01013-0000 | 1 | Seat Post Rack |

Upper Frame - Shrouds - Console



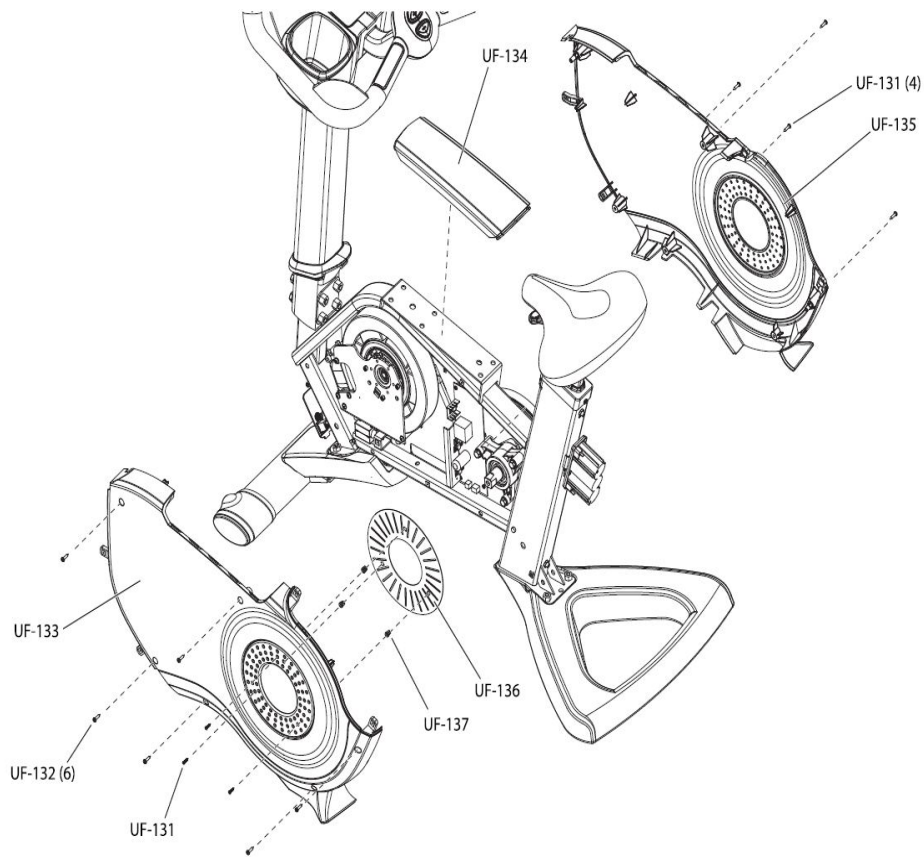
| Ref # | Part Number | Qty | Description |
|--------|-----------------|-----|--|
| UF-101 | AK92-00059-0000 | 1 | ASSEMBLY: MIDDLE SHROUD; CONSOLE; APOLLO 2 |
| UF-102 | 0017-00101-1940 | 4 | Hardware: Screw 14MM |
| UF-103 | 0K67-01040-0000 | 1 | Rear Console Cover |
| UF-104 | AK67-00019-0000 | 1 | Console Shroud Top |
| UF-105 | 0K67-01055-0000 | 2 | Accessory: Cupholder |
| UF-106 | 0017-00101-1796 | 8 | Hardware: Mounting Screw 19 MM |
| UF-107 | 0K67-01041-0000 | 1 | Console Shroud Bottom |

Upper Frame - Shrouds - Front and Seat



| Ref # | Part Number | Qty | Description |
|--------|-----------------|-----|---|
| UF-121 | AK67-00051-0002 | 1 | Left Seat Post Shroud LF Decal Shadow Gray - 95C |
| UF-122 | 0017-00101-1796 | 12 | Hardware: Mounting Screw 19 MM |
| UF-123 | 0K65-01209-0000 | 2 | LF Bug Decal |
| UF-124 | 0K67-01033-0000 | 1 | Left Front Shroud |
| UF-125 | AK67-00049-0000 | 1 | Right Front Shroud |
| UF-126 | AK67-00050-0002 | 1 | Right Seat Post Shroud LF Decal Shadow Gray - 95C |

Upper Frame - Shrouds - (Left, Right, Step) and GBC Shield



| Ref # | Part Number | Qty | Description |
|--------|-----------------|-----|--|
| UF-131 | 0017-00101-2103 | 3 | SCR: #6 X 5/8 FLT PHL AB ST BLK |
| UF-132 | 0017-00101-1796 | 10 | Hardware: Mounting Screw 19 MM |
| UF-133 | AK67-00033-0008 | 1 | SHROUD/DECAL; MAIN; LIFECYCLE LH NP VENT |
| UF-134 | 0K67-01038-0000 | 1 | Step Shroud |
| UF-135 | AK67-00032-0008 | 1 | SHROUD/DECAL; MAIN; LIFECYCLE RH NP VENT |
| UF-136 | 0K66-01267-0000 | 1 | SHIELD: SHROUD; GBC |
| UF-137 | 0017-00042-1134 | 3 | Grommet |

