

97Ti Treadmill - 4HP AC - Lifepulse - Decline

97T-0100-01

Parts Manual

1/5/2019 11:42:05 AM

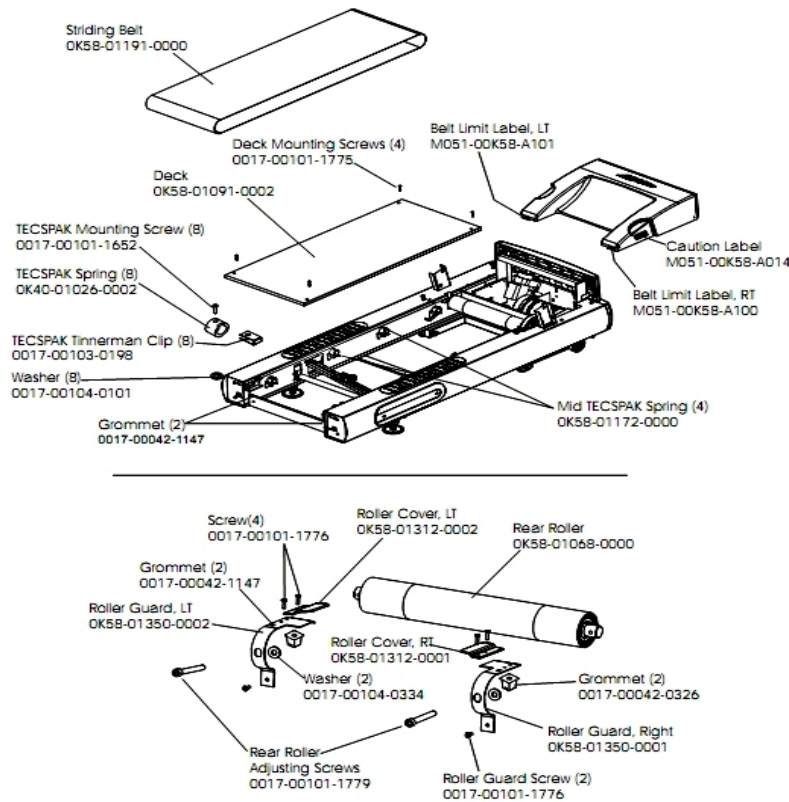


LifeFitness
WHAT WE LIVE FOR

Table of Contents

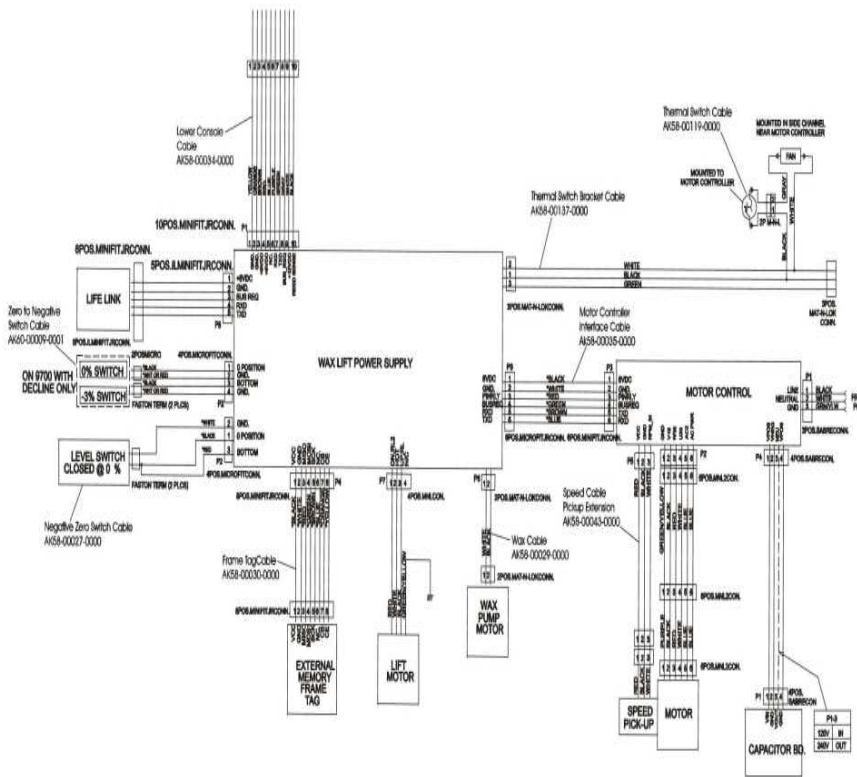
Belt, Deck and Rear Rollers.....	3
Cables.....	4
Console Assembly.....	5
Cover, End Caps and Hardware.....	7
Drive Motor Assembly.....	8
Ergo Bar with Lifepulse.....	9
Frame Assembly.....	10
Front Roller Assembly.....	11
General Assembly.....	12
Handrail Assembly.....	13
Idler Arm Assembly.....	14
Leveler Assembly.....	15
Lift Motor and Frame.....	16
Power Components.....	18
Unlabeled Parts.....	19
Wax Components.....	20
Wax/Lift and Motor Controller Assembly.....	21

Belt, Deck and Rear Rollers



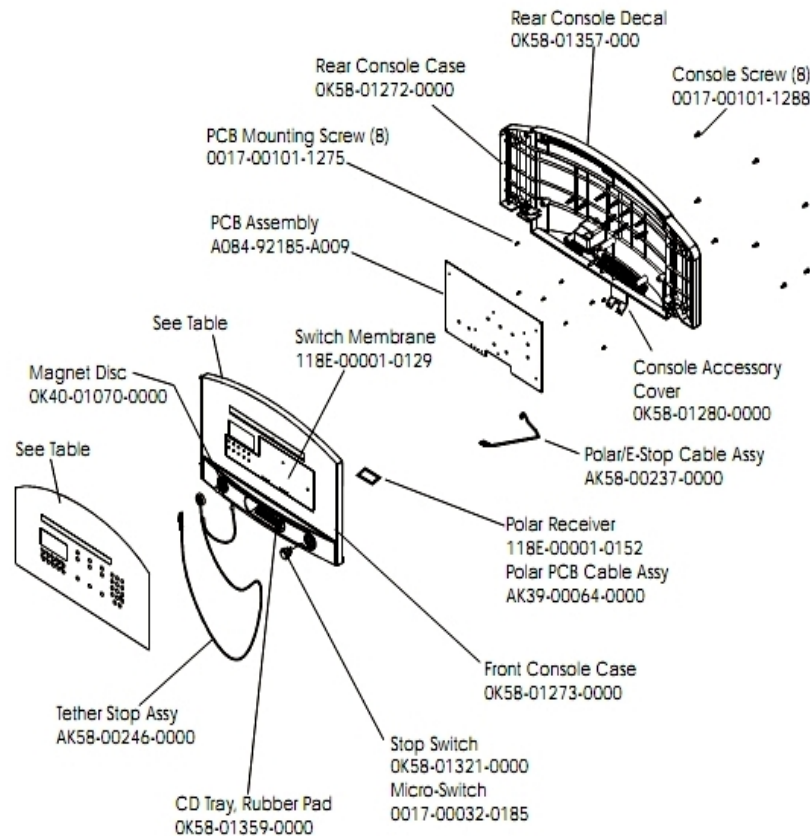
Ref #	Part Number	Qty	Description
-	0017-00103-0198	8	Hardware: Tinnerman Clip 1/4" ID
-	GK58-00002-0096	2	Roller Guard kit
-	OK40-01026-0002	8	Deck Spring
-	OK65-01263-0000	1	Deck
-	OK58-01312-0002	1	Roller Cover Left
-	M051-00K58-A100	1	Label: Belt Limit: Right
-	0017-00101-1779	2	Hardware: Rear Roller Adjusting Bolt
-	M051-00K58-A104	1	Belt Limit Label. Right
-	OK58-01191-0000	1	Striding Belt
-	OK58-01172-0000	4	TECSPAK Spring
-	0017-00104-0101	8	Hardware: Flat Washer 0.437" OD
-	OK58-01068-0000	1	Rear Roller - 5"
-	OK58-01312-0001	1	Roller Cover Right
-	0017-00042-0326	2	Hardware: Plastic Grommet
-	0017-00042-1147	4	Hardware: Nylon Grommet
-	0017-00101-1652	8	Hardware: Spring Mounting Screw 1"
-	0017-00104-0334	2	Hardware: Flat Washers 0.880" OD
-	0017-00101-1776	6	Hardware: Mounting Screw 0.5"
-	0017-00101-1775	4	Hardware: Deck Screws 1.25"

Cables



Ref #	Part Number	Qty	Description
-	AK58-00043-0000	1	Speed Sensor Cable
-	AK60-00009-0001	1	Negative Switch Cable Assembly
-	AK58-00034-0000	1	Console Cable
-	AK58-00030-0000	1	Frame Tag Cable
-	AK58-00035-0000	1	Motor Controller Interface Cable
-	AK58-00029-0000	1	Wax Pump Cable
-	AK58-00119-0000	1	Thermal Switch
-	AK58-00027-0000	1	Limit Switch Cable
-	AK58-00140-0000	1	Thermal Switch Assembly

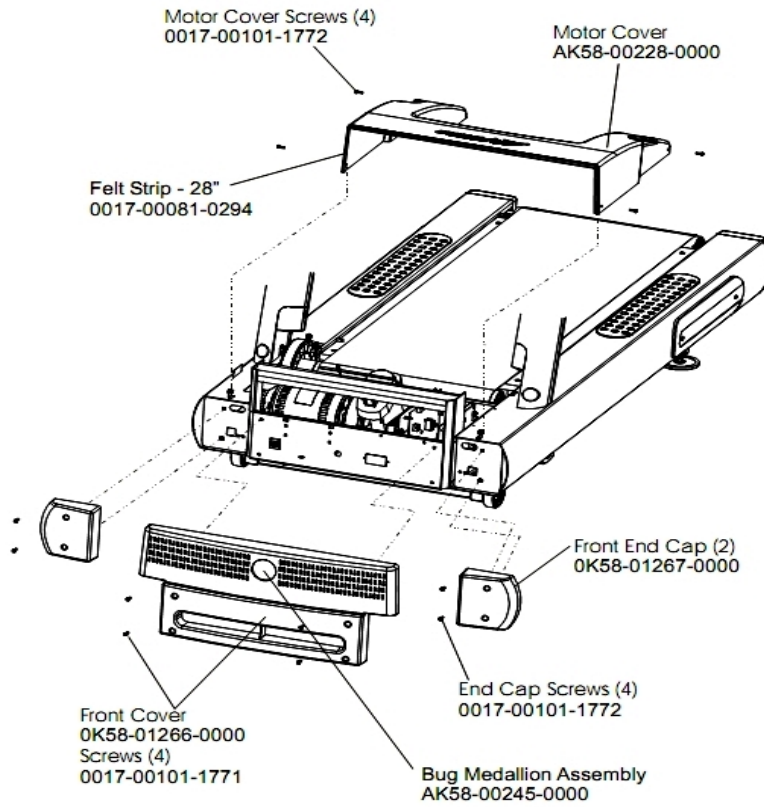
Console Assembly



Ref #	Part Number	Qty	Description
-	OK58-01273-0000	1	Front Console Case
-	OK58-01359-0000	1	Rubber Pad
-	AK58-00196-0001	1	Console Assembly - English/Metric
-	OK58-01357-0000	1	Decal
-	AK58-00196-0007	1	Console Assembly - French
-	AK58-00196-0003	1	Console Assembly - German
-	OK40-01070-0000	1	Magnetic Disk
-	118E-00001-0259	1	Wireless Receiver Module, Non-Coded
-	AK58-00237-0000	1	Cable-Assembly: Polar/E-Stop
-	AK58-00196-0002	1	Console Assembly - English/European
-	118E-00001-0244	1	Heart Rate Receiver
-	OK58-01296-0001	1	Overlay - English / Metric
-	AK58-00202-0001	1	Overlay Switch Bezel Assembly - English/European
-	AK58-00196-0011	1	Console Assembly - Chinese
-	AK58-00196-0004	1	Console Assembly - Spanish
-	118E-00001-0129	1	Switch Membrane
-	OK58-01321-0000	1	Stop Switch
-	AK58-00196-0006	1	Console Assembly - Japanese
-	0017-00101-1288	8	Hardware: Phillips Screw 0.5"
-	0017-00101-1275	8	Hardware: Phillips Screw 0.375"
-	AK58-00322-0000	1	Tether Stop Assembly
-	AK58-00196-0009	1	Console Assembly - Dutch

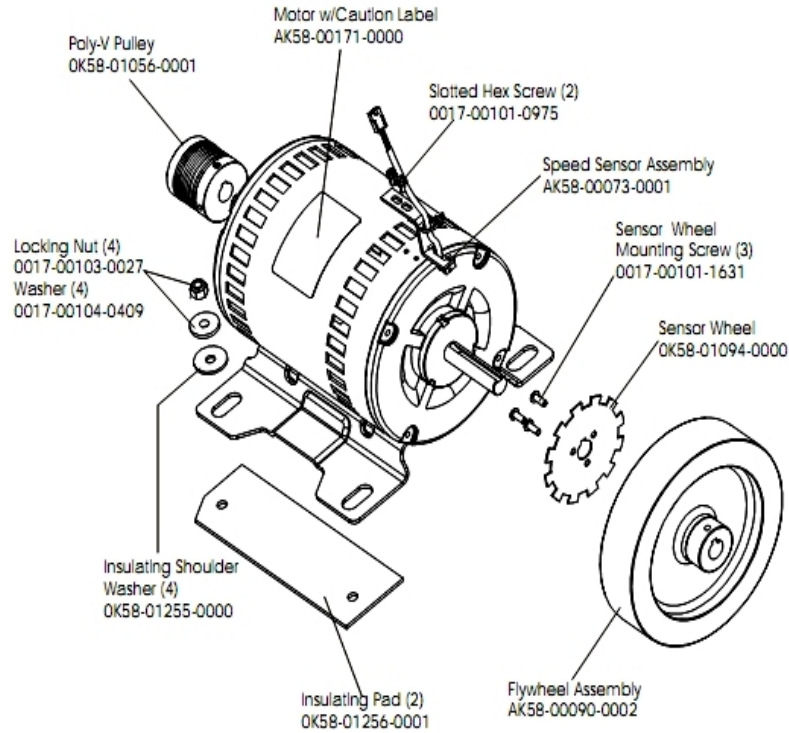
Ref #	Part Number	Qty	Description
-	AK58-00196-0008	1	Console Assembly - Italian
-	A084-92185-A009	1	PCB Assembly
-	0017-00032-0185	1	Micro Switch 150GR
-	0K58-01280-0000	1	Accessory Cover
-	AK58-00196-0010	1	Console Assembly - Portuguese
-	0K58-01272-0000	1	Rear Console Case

Cover, End Caps and Hardware



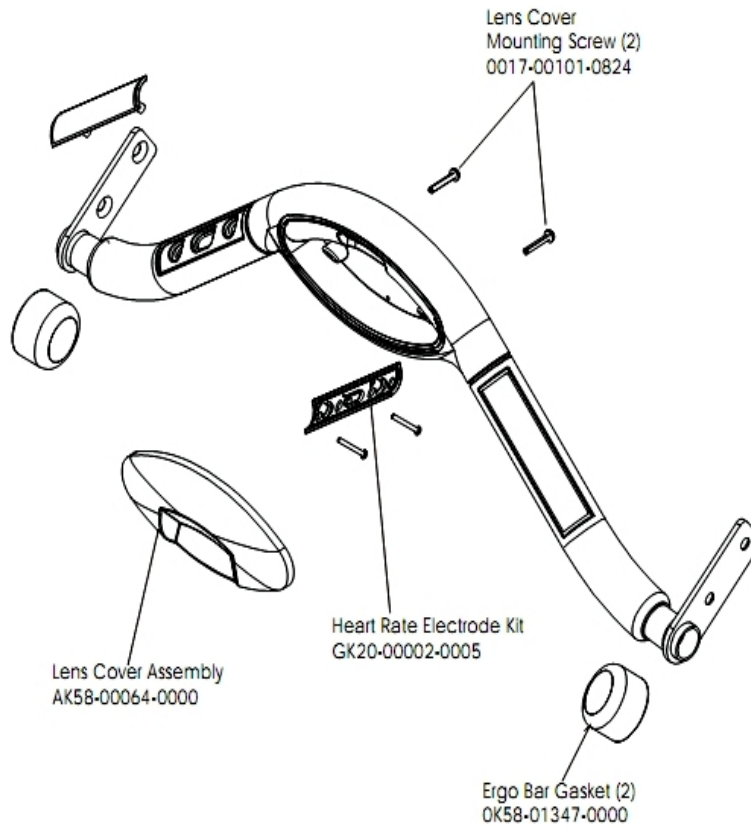
Ref #	Part Number	Qty	Description
-	0017-00101-1771	4	Hardware: Phillips Pan Screw
-	0017-00081-0294	1	Felt Strip - 28"
-	0K58-01266-0000	1	Front Cover
-	AK58-00228-0000	1	Motor Cover
-	0017-00101-1772	8	Hardware: Phillips Pan Screw 0.5"
-	AK58-00245-0000	1	Bug Medallion
-	0K58-01267-0000	2	End Cap

Drive Motor Assembly



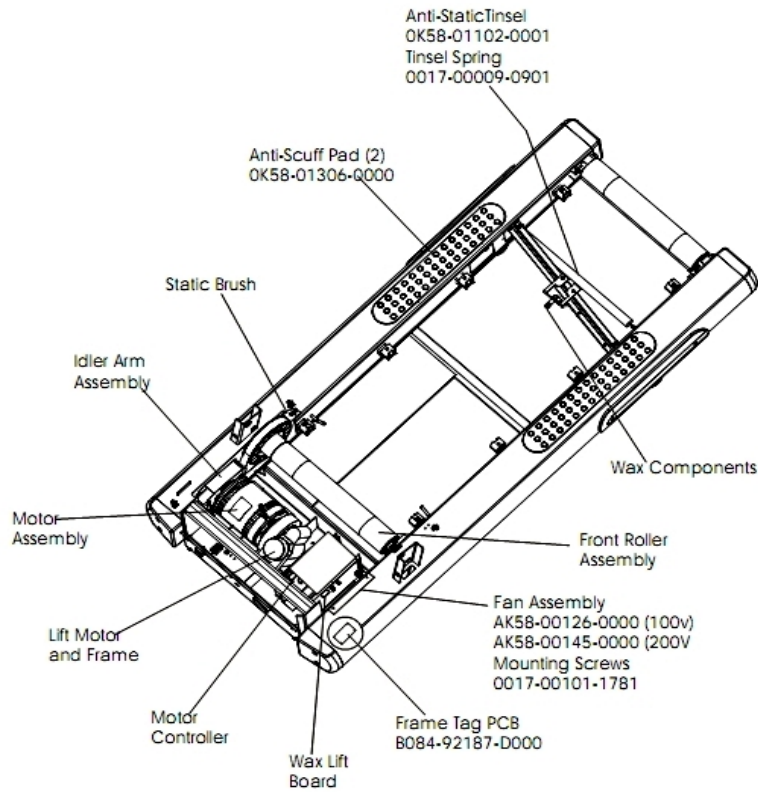
Ref #	Part Number	Qty	Description
-	AK58-00171-0000	1	Motor with Caution Label
-	0017-00101-0975	2	Hardware: Mounting Bolt 0.375"
-	0017-00103-0027	4	Hardware: Locking Nut. 5/16" ID
-	OK58-01255-0000	4	Hardware: Insulating Washers
-	OK58-01256-0001	2	Insulating Pad
-	OK58-01094-0000	1	Sensor Wheel
-	AK58-00090-0002	1	Flywheel Assembly
-	0017-00101-1631	3	Hardware: Sensor Wheel Mounting Screw
-	0017-00104-0409	4	Hardware: Washer 1.125" OD
-	AK58-00073-0001	1	Speed Sensor Assembly

Ergo Bar with Lifepulse



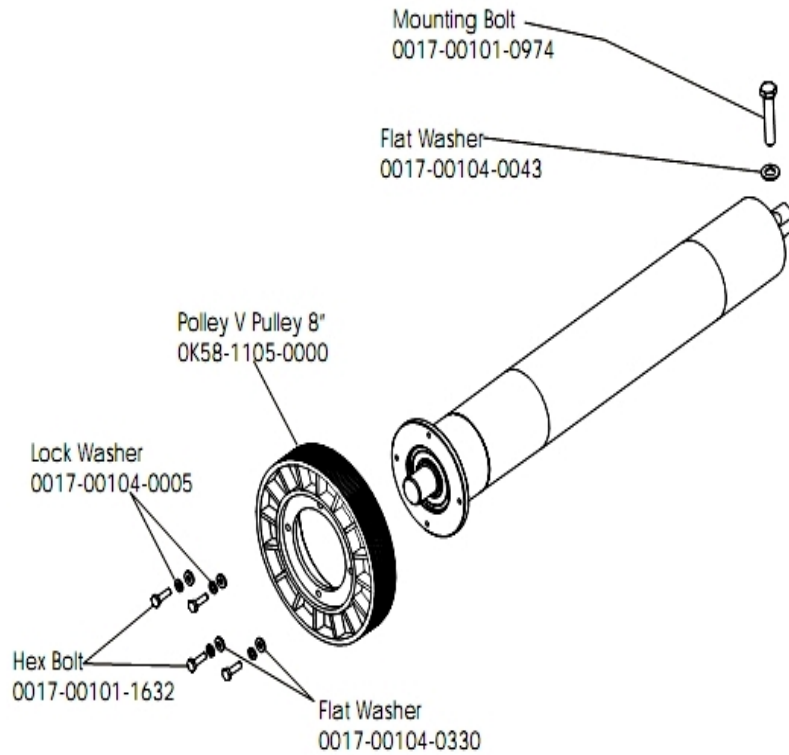
Ref #	Part Number	Qty	Description
-	AK58-00064-0000	1	I/R Lens Cover Assembly
-	0017-00101-0824	2	Hardware: Screw 1.125"
-	OK58-01347-0000	2	ErgoBar Gasket
-	GK20-00002-0005	1	Heart Rate Electrode Kit

Frame Assembly



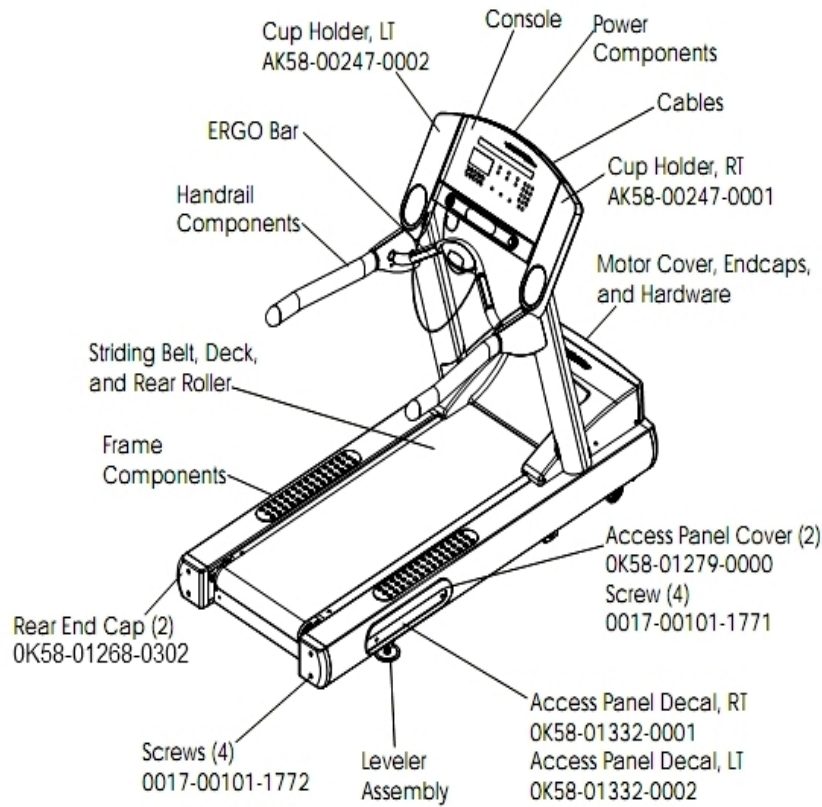
Ref #	Part Number	Qty	Description
-	AK58-00145-0000	1	Fan Assembly (200v)
-	0017-00009-0901	1	Tinsel Extension Spring
-	OK58-01376-0000	2	Anti-Scuff Pad
-	OK58-01102-0001	1	Anti-Static Tinsel
-	0017-00101-1781	1	Hardware: Phillips Pan Screw 0.5"
-	AK58-00126-0000	1	Fan Assembly (100v)
-	B084-92187-D000	1	Frame Tag PCB

Front Roller Assembly



Ref #	Part Number	Qty	Description
-	0017-00101-1632	4	Hardware: Hex Bolt 0.875"
-	AK58-00067-0000	1	Front Roller Assembly
-	0017-00104-0005	4	Hardware: Lock Washer 0.489" OD
-	0017-00104-0043	1	Hardware: Flat Washer 0.734" OD
-	0017-00101-0974	1	Hardware: Mounting Bolt 2"
-	0017-00104-0330	4	Hardware: Flat Washers 0.562" OD

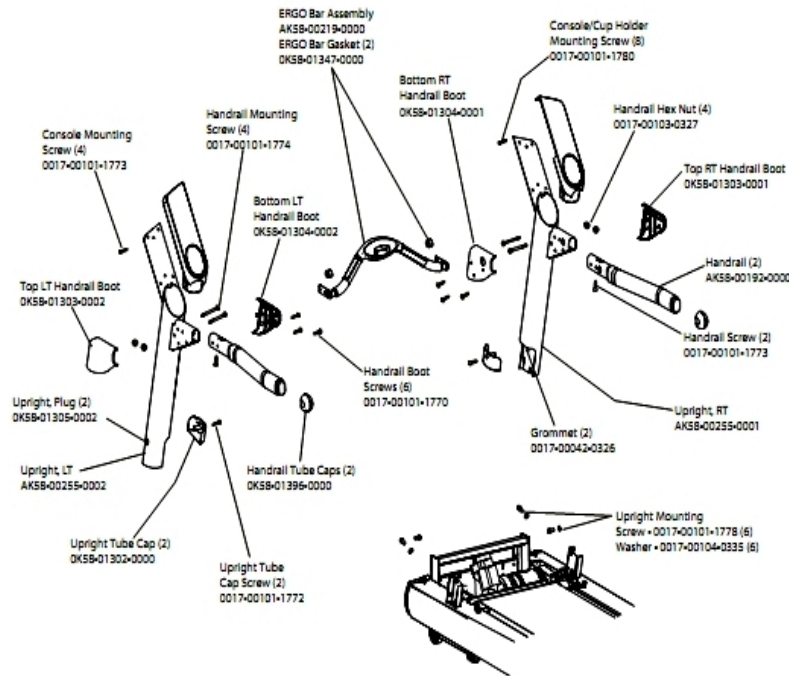
General Assembly



Ref #	Part Number	Qty	Description
-	OK58-01332-0001	1	Access Panel Decal Right
-	OK58-01332-0002	1	Access Panel Decal Left
-	0017-00008-0197	1	Paint: Silver Bullet; 4.5OZ. Can
-	0017-00008-0199	1	Paint: Stealth Grey; 4.5OZ. Can
-	OK58-01268-0302	2	ENDCAP: REAR; STEALTH D
-	OK58-01279-0000	2	Access Panel Cover
-	0017-00008-0196	1	Paint: Silver Bullet; .6OZ. Bottle
-	AK58-00247-0002	1	Cup Holder Left
-	0017-00008-0198	1	Paint: Stealth Grey; .6OZ. Bottle B
-	0017-00101-1771	4	Hardware: Phillips Pan Screw
-	AK58-00247-0001	1	Cup Holder Right
-	0017-00101-1772	4	Hardware: Phillips Pan Screw 0.5"

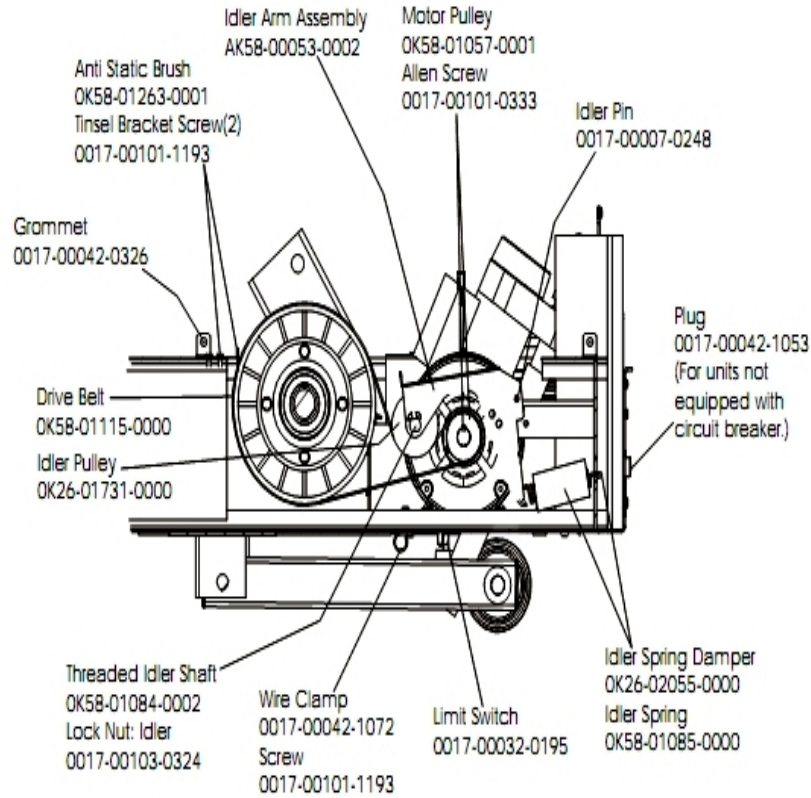
Handrail Assembly

Hardware Bag Assembly AK58-00226-0000



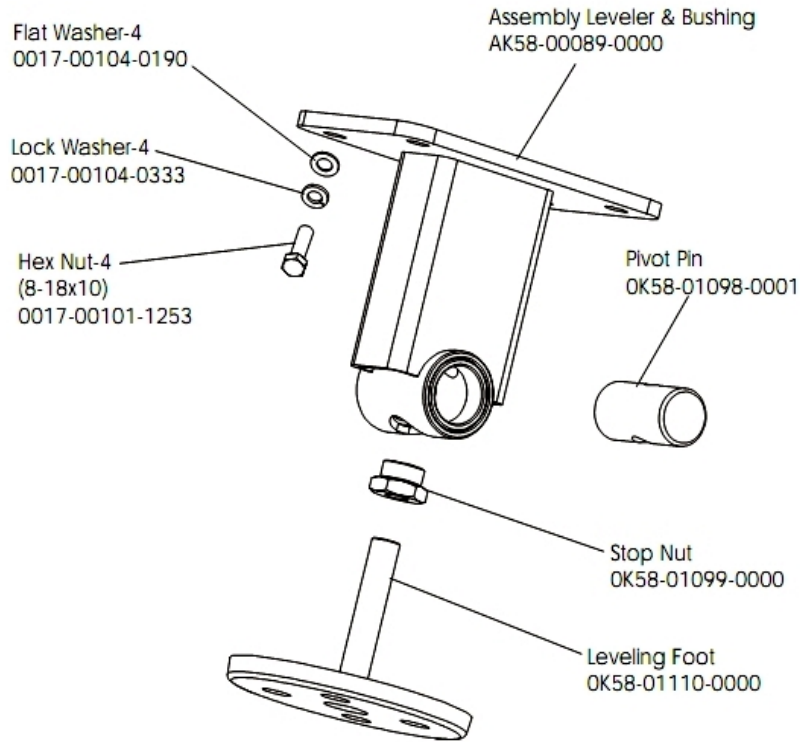
Ref #	Part Number	Qty	Description
-	0017-00101-1773	6	Hardware: TORX Screw 0.5"
-	AK58-00311-0003	1	Upright: Right
-	0017-00101-1770	6	Hardware: Phillips Pan Screw 0.5"
-	0K58-01396-0000	2	Endcap
-	AK58-00219-0000	1	Ergo Bar with Heart Rate Sensors
-	0K58-01303-0002	1	Top Left Handrail Boot
-	0K58-01304-0001	1	Bottom Right Handrail Boot
-	0K58-01304-0002	1	Bottom Left Handrail Boot
-	0017-00101-1772	2	Hardware: Phillips Pan Screw 0.5"
-	0K58-01303-0001	1	Top Right Handrail Boot
-	0K58-01347-0000	2	ErgoBar Gasket
-	0017-00101-1778	1	Hardware: Hex Bolt 1"
-	0017-00042-0326	2	Hardware: Plastic Grommet
-	0017-00103-0327	4	Hardware: Hex Nut 5/16" ID
-	0K58-01302-0103	2	Cap: Upright Tube; Arctic Silver
-	0K58-01305-0002	2	Upright Plug
-	AK58-00256-0001	2	Handrail
-	AK58-00311-0004	1	Upright: Left
-	0017-00101-1774	4	Hardware: TORX Screw 2.5"
-	0017-00101-1780	8	Hardware: Mounting Screws
-	0017-00104-0335	1	Hardware: Handrail Washer
-	AK58-00226-0000	1	Hardware Bag

Idler Arm Assembly



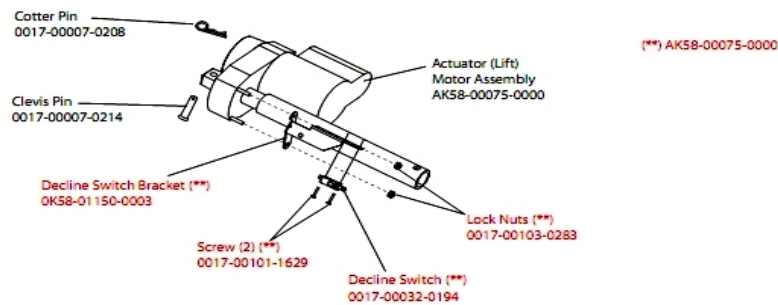
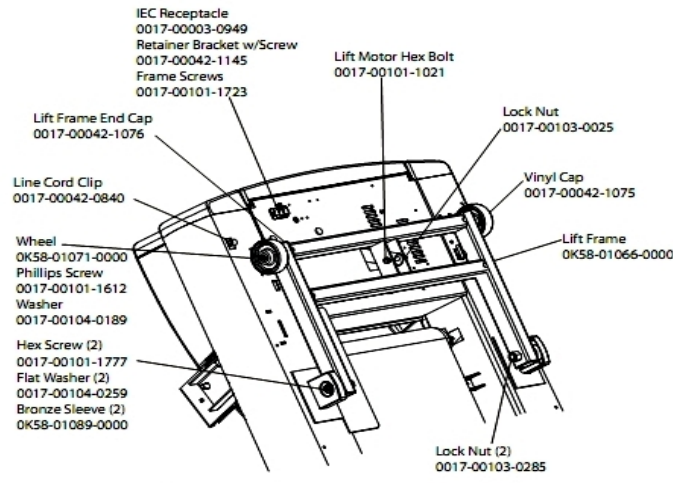
Ref #	Part Number	Qty	Description
-	OK58-01057-0001	1	Drive Pulley - 1.971"
-	AK58-00053-0002	1	Idler Arm Assembly
-	0017-00042-1053	1	Plug (For units not equipped with circuit breaker.)
-	0017-00103-0324	1	Hardware: Thin Lock Nut 3/8" ID
-	OK26-01731-0000	1	Plastic Idler 2 5/8" OD
-	OK26-02055-0000	1	Spring Damper
-	0017-00032-0195	1	Home Switch
-	0017-00042-1072	1	Hardware: Wire Clamp - 5/8"
-	OK58-01084-0002	1	Threaded Shaft
-	0017-00007-0248	1	Hardware: Locking Pin .31" D 2.125" L
-	0017-00042-0326	1	Hardware: Plastic Grommet
-	0017-00101-1193	3	Hardware: Screw 0.375"
-	OK58-01085-0000	1	Extension Spring
-	OK58-01263-0001	1	Tinsel Bracket
-	0017-00101-0333	1	Hardware: Screw 0.3125"
-	GK58-00002-0129	1	KIT: TREADMILL BELT AND PULLEY

Leveler Assembly



Ref #	Part Number	Qty	Description
-	AK58-00370-0000	1	Leveler Assembly
-	OK58-01110-0000	1	Leveler Foot
-	0017-00104-0333	4	Hardware: Washer 0.683" OD
-	0017-00104-0190	4	Hardware: Flat Washer 0.734" OD
-	0017-00101-1253	4	Hardware: Screw
-	OK58-01098-0001	1	Hardware: Pivot Pin
-	AK58-00089-0000	1	Bracket Leveler
-	OK58-01099-0000	1	Hardware: Stop Nut

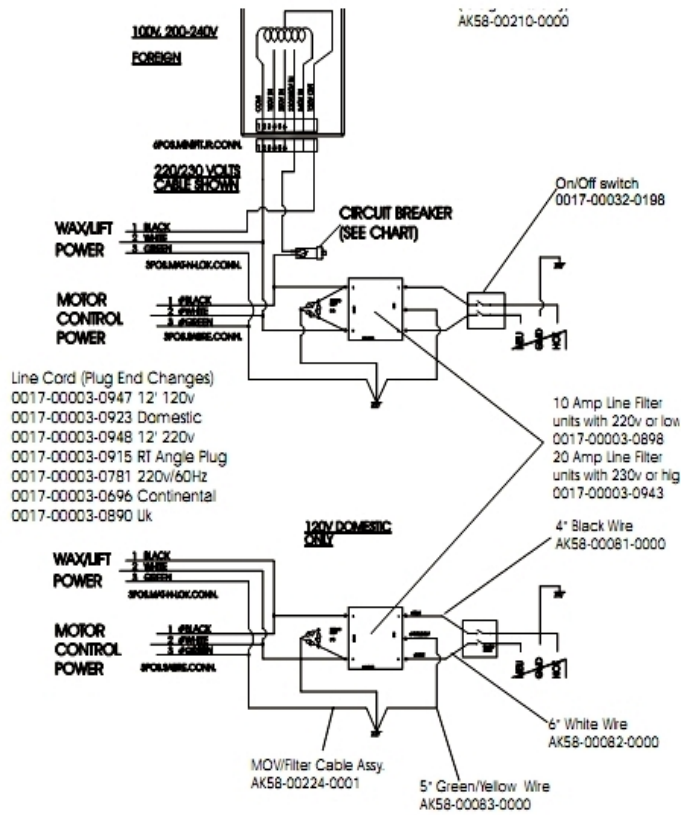
Lift Motor and Frame



Ref #	Part Number	Qty	Description
-	0017-00103-0285	2	Hardware: Nut 5/8" ID
-	0017-00101-1723	1	Hardware: Phillips Pan Screw 0.375"
-	0017-00007-0208	2	Hardware: Cotter Pin
-	0017-00101-1621	2	Hardware: Phillips Screw 0.5"
-	0017-00101-1629	2	Hardware: Phillips Pan Screw 0.625"
-	0017-00101-1777	2	Hardware: Lift Frame Mounting Bolt 2.75"
-	0017-00104-0189	2	Hardware: Flat Washer 1" OD
-	0K58-01150-0003	1	Decline Switch Bracket
-	0017-00003-0949	1	IEC Receptacle
-	0017-00103-0283	1	Hardware: Locking Nut ID
-	0017-00032-0194	1	Mini Switch; SPDT
-	0017-00042-1145	1	Power Cord Retainer
-	0017-00101-1021	1	Hardware: Lift Motor Hex Bolt 2.5"
-	0017-00103-0025	1	Hardware: Locking Nut 3/8" ID
-	0017-00042-1076	4	Lift Frame End Cap
-	AK58-00220-0000	1	LIFT-FRAME ASSY: MFG. C
-	AK58-00075-0000	2	Lift Motor Bracket Assembly
-	0K58-01089-0000	2	Bronze Sleeve Bushings
-	0017-00042-0840	1	Hardware: Push Mount Clip
-	0K58-01071-0000	2	Wheel
-	0017-00042-1075	1	Vinyl Cap
-	0017-00104-0259	2	Hardware: Washer 1.331" OD

Ref #	Part Number	Qty	Description
-	0017-00007-0214	2	Hardware: Clevis Pin 3/8" D 1.75" L

Power Components

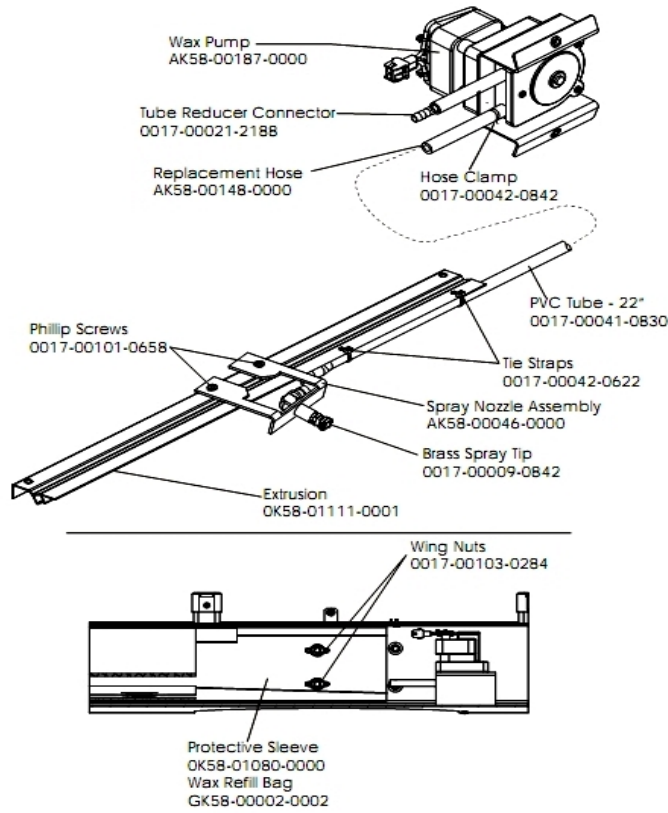


Ref #	Part Number	Qty	Description
-	0017-00003-0974	1	Line Cord: 120V: 8'
-	AK58-00081-0000	1	Jumper Cable Assembly: Black - 4"
-	AK58-00224-0001	1	Cable: MOV; Fliter
-	0017-00032-0198	1	On/Off Switch 22A
-	AK58-00210-0000	1	Transformer-Bracket Assembly
-	AK58-00258-0005	1	Cable-Assembly: Power; 100V S/C#2-D
-	0017-00003-0947	1	Line Cord: 120V; 20A; 12'
-	AK58-00082-0000	1	Jumper Cable Assembly: White - 6"
-	0017-00003-0915	1	Line Cord RT Angle Plug
-	AK58-00083-0000	1	Cable Assembly

Unlabeled Parts

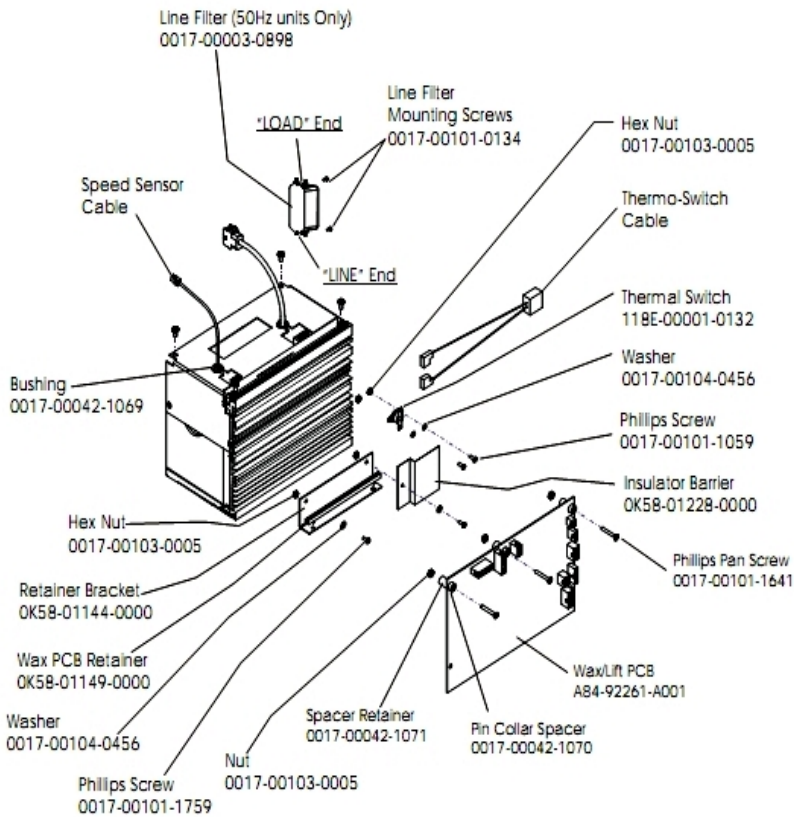
Ref #	Part Number	Qty	Description
-	AK58-00037-0000	1	Cable-Assembly: Motor Speed Pickup
-	AK58-00077-0001	1	Cap Board Cable - Domestic
-	AK58-00031-0000	1	Side Console Cable Assembly
-	OK58-01365-0000	1	Decal
-	AK58-00222-0002	1	Power Cable Assembly 120V
-	AK58-00032-0000	1	User Proximity Sensor Cable
-	AK58-00036-0000	1	Cable-Assembly: Emergency-Stop Switch
-	OK58-01273-0000	1	Front Console Case

Wax Components



Ref #	Part Number	Qty	Description
-	0017-00041-0830	1	TUBING: PVC; REINFORCED B
-	0017-00009-0842	1	Brass Spray Tip
-	AK58-00046-0000	1	Spray Nozzle Assembly
-	OK58-01111-0001	1	Extrusion Assembly
-	AK58-00187-0000	1	Wax Pump
-	OK58-01080-0000	1	Protective Sleeve
-	GK58-00002-0002	1	Wax Refill Bag
-	0017-00103-0284	2	Hardware: Wing Nut
-	0017-00101-0658	1	Hardware: Access Panel Screws
-	0017-00042-0842	1	Hose Clamp
-	0017-00042-0622	2	Cable Tie
-	0017-00021-2188	1	Tube Reducer Connector
-	AK58-00148-0000	1	Replacement Hose

Wax/Lift and Motor Controller Assembly



Ref #	Part Number	Qty	Description
-	0017-00101-1059	4	Hardware: Phillips Screw
-	0017-00103-0005	12	Hardware: Hex Nut
-	A084-92261-A001	1	Wax/Lift PCB
-	118E-00001-0132	1	Thermal Switch
-	0017-00101-1641	4	Hardware: Phillips Pan Screw
-	0017-00042-1071	4	Spacer Retainer
-	0017-00101-0134	1	Hardware: Line Filter Mounting Screws
-	0017-00003-0898	1	10 amp Line Filter (INT)
-	0017-00101-1759	4	Hardware: Phillips Screw 0.625"
-	0017-00042-1069	1	Bushing
-	0017-00104-0456	8	Hardware: Washer 0.31" OD
-	OK58-01228-0000	1	Insulator Barrier
-	GK65-00002-0018	1	Kit: Service; Motor Controller; 100-120VA; Display
-	0017-00042-1070	1	Pin Collar Spacer
-	OK58-01144-0000	1	Retainer Bracket
-	AK58-00522-0000	1	Cable: Jumper; Power; LED Console
-	OK58-01149-0000	1	Wax PCB Retainer

