

97Ti Treadmill - 4HP AC DSP - Heart Rate

97T-0100-05

Parts Manual

1/5/2019 11:42:05 AM

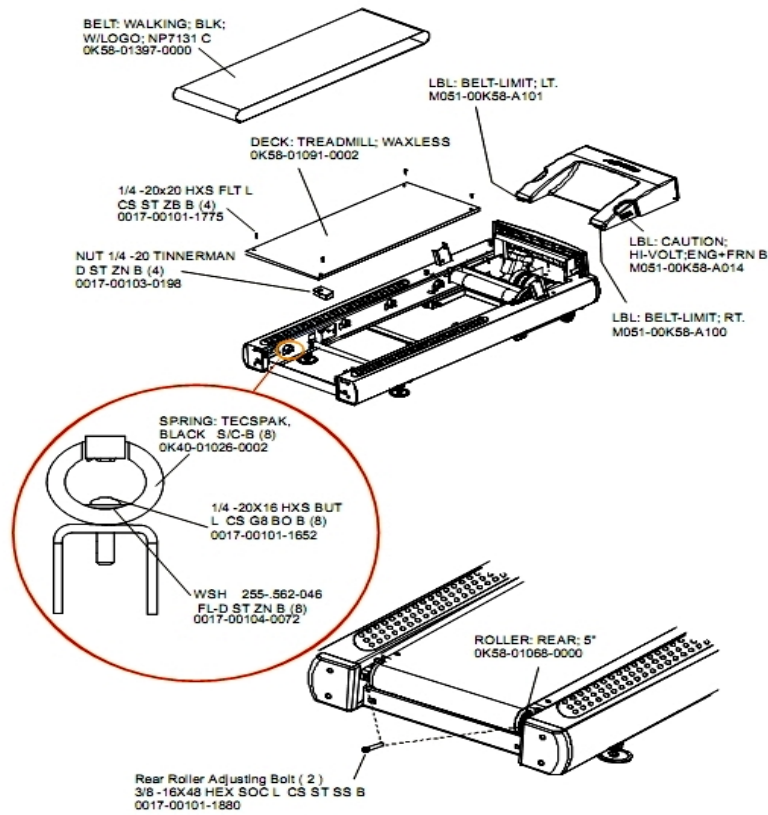


LifeFitness
WHAT WE LIVE FOR

Table of Contents

Belt, Deck and Rear Rollers.....	3
Cables.....	4
Console Components.....	5
Console Overlay.....	6
Drive Motor Assembly.....	7
Ergo Bar and Heart Rate Sensors.....	8
Front Roller Assembly.....	9
Idler Arm Assembly.....	10
Leg Leveler Assembly.....	11
Lift Frame and Receptacle Assembly.....	12
Lift Motor Assembly.....	13
Line Cords and Line Cord Options.....	14
Motor Cover, Front Cover and Front End Caps.....	15
On/Off Switch, Access Plate and Grommets.....	16
Rear End Caps and Cup Holders.....	17
References.....	18
Scuff Pad and Tinsel.....	20
Uprights and Handrails.....	21

Belt, Deck and Rear Rollers

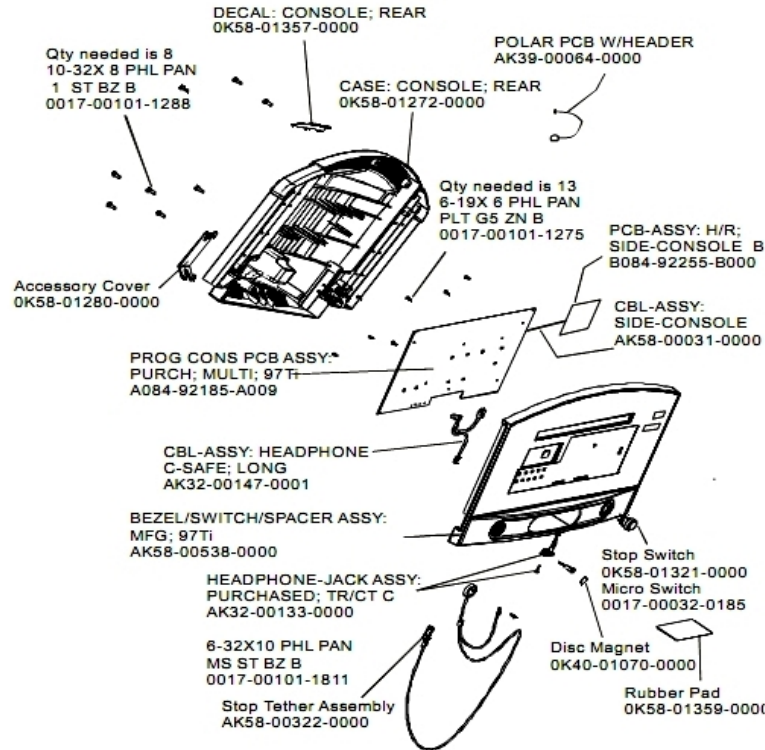


Ref #	Part Number	Qty	Description
-	0017-00104-0072	8	Hardware: Flat Washer 0.562" OD
-	0017-00101-1775	4	Hardware: Deck Screws 1.25"
-	OK40-01026-0002	8	Deck Spring
-	OK58-01397-0000	1	Striding Belt
-	OK58-01068-0000	1	Rear Roller - 5"
-	0017-00103-0198	4	Hardware: Tinnerman Clip 1/4" ID
-	0017-00101-1880	1	Hardware: Tension Bolts 3"
-	0017-00101-1652	8	Hardware: Spring Mounting Screw 1"
-	OK65-01263-0000	1	Deck

Cables

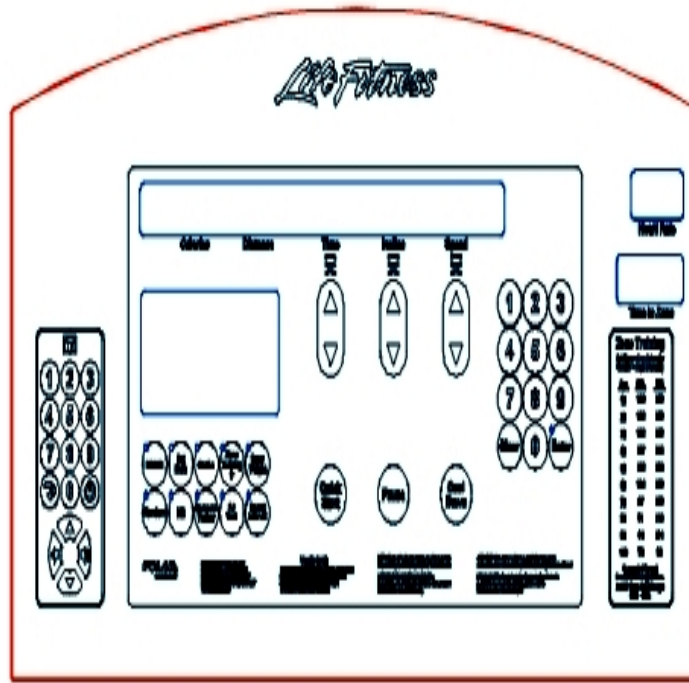
Ref #	Part Number	Qty	Description
-	AK60-00009-0001	1	Negative Switch Cable Assembly
-	AK58-00027-0000	1	Limit Switch Cable
-	AK58-00083-0000	1	Cable Assembly
-	AK58-00034-0001	1	Console Power Cable
-	AK58-00082-0000	1	Jumper Cable Assembly: White - 6"
-	AK58-00032-0000	1	User Proximity Sensor Cable
-	0017-00003-1015	1	20 amp Line Filter (DOM)
-	AK58-00224-0001	1	Cable: MOV; Fliter
-	AK58-00036-0000	1	Cable-Assembly: Emergency-Stop Switch
-	AK58-00081-0000	1	Jumper Cable Assembly: Black - 4"
-	AK58-00263-0000	1	Hi-Pot Jumper Cable
-	AK32-00020-0002	1	Coax Cable: 120"
-	AK58-00522-0000	1	Cable: Jumper; Power; LED Console
-	AK58-00520-0000	1	Power Cable Assembly: 100-120V
-	AK58-00237-0000	1	Cable-Assembly: Polar/E-Stop
-	AK58-00041-0001	1	Heart Rate Sensor Cable
-	AK58-00031-0000	1	Side Console Cable Assembly
-	AK32-00078-0001	1	Power Extension Cable: 120"

Console Components



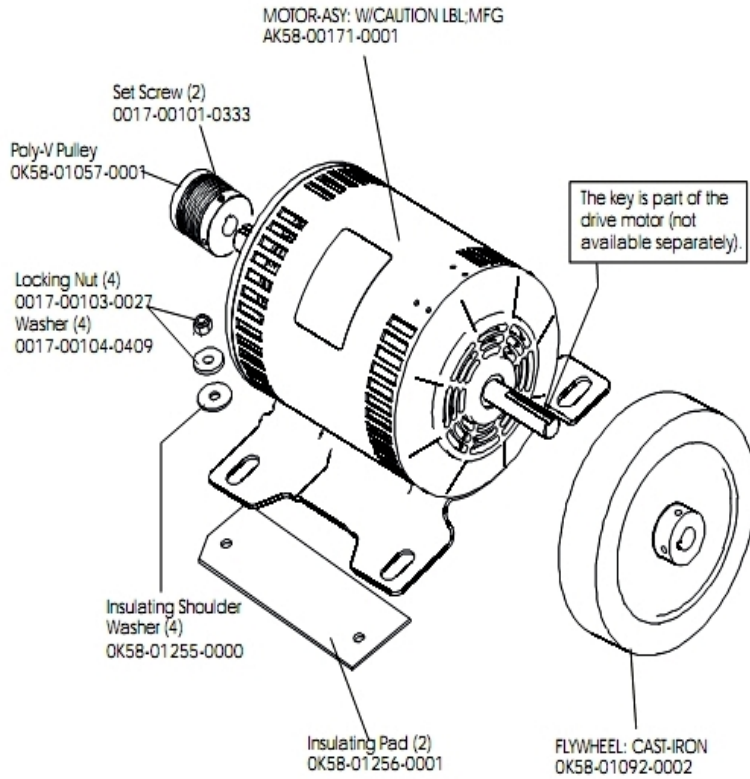
Ref #	Part Number	Qty	Description
-	AK58-00538-0000	1	Bezel Switch/Spacer
-	B084-92255-B000	1	PCB Assembly
-	0K58-01280-0000	1	Accessory Cover
-	0K58-01321-0000	1	Stop Switch
-	0017-00032-0185	1	Micro Switch 150GR
-	AK32-00147-0001	1	Cable Headphone Assembly - C-Safe
-	118E-00001-0259	1	Wireless Receiver Module, Non-Coded
-	0K40-01070-0000	1	Magnetic Disk
-	0K58-01357-0000	1	Decal
-	AK58-00322-0000	1	Tether Stop Assembly
-	A084-92185-A009	1	PCB Assembly
-	0K58-01272-0000	1	Rear Console Case
-	0K58-01359-0000	1	Rubber Pad
-	AK58-00031-0000	1	Side Console Cable Assembly
-	AK32-00133-0000	1	Headphone Jack Assembly
-	0017-00101-1288	8	Hardware: Phillips Screw 0.5"
-	0017-00101-1275	13	Hardware: Phillips Screw 0.375"
-	0017-00101-1811	1	Hardware: Phillips Pan Screw 0.625"

Console Overlay



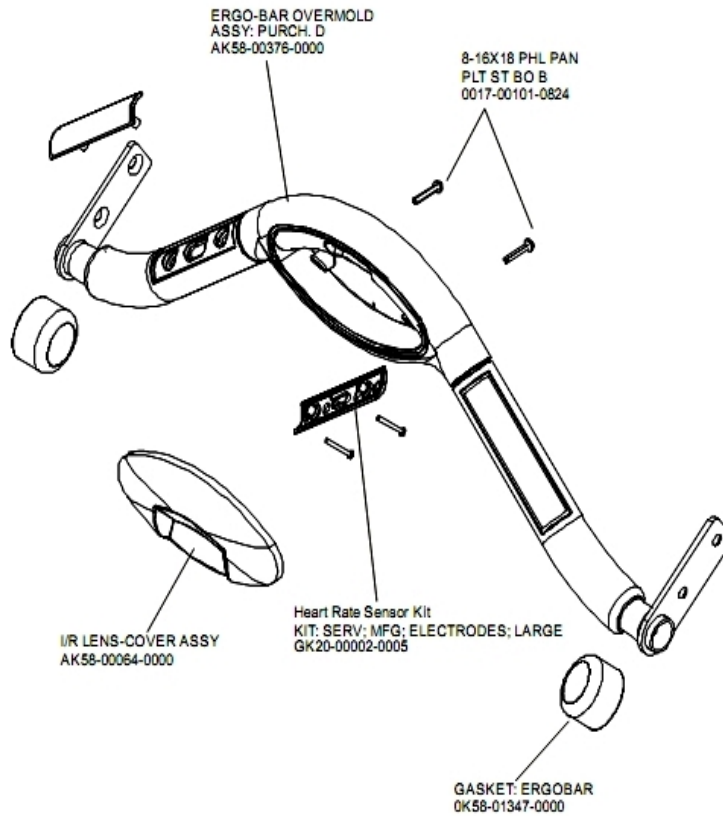
Ref #	Part Number	Qty	Description
-	AK58-00202-0002	1	Overlay Switch Bezel Assembly - English/Metric
-	AK58-00390-0002	1	Console: English/Metric
-	OK58-01296-0001	1	Overlay - English / Metric

Drive Motor Assembly



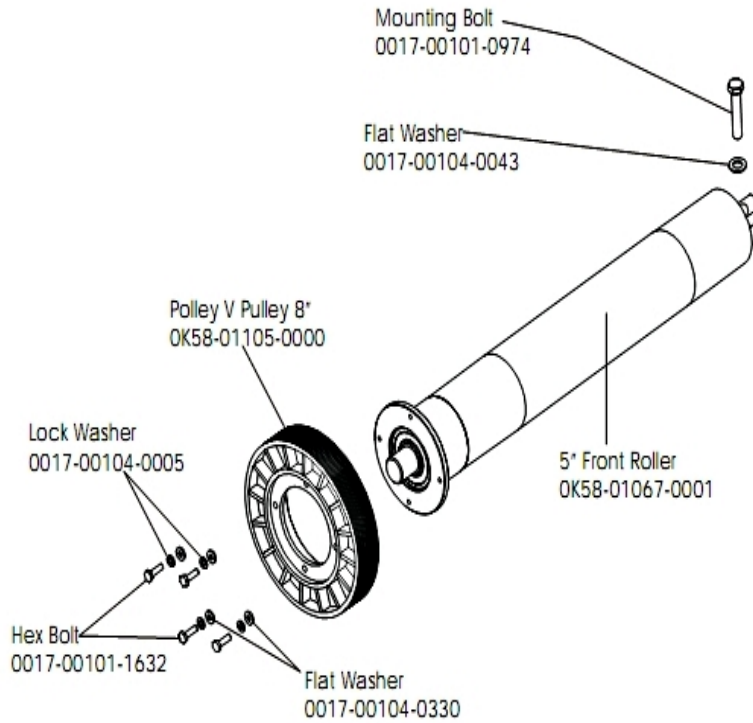
Ref #	Part Number	Qty	Description
-	AK58-00171-0001	1	Drive Motor Assembly
-	OK58-01057-0001	1	Drive Pulley - 1.971"
-	0017-00103-0027	4	Hardware: Locking Nut. 5/16" ID
-	OK58-01092-0002	1	Cast Iron Flywheel
-	OK58-01255-0000	4	Hardware: Insulating Washers
-	0017-00104-0409	4	Hardware: Washer 1.125" OD
-	0017-00101-0333	2	Hardware: Screw 0.3125"
-	OK58-01256-0001	2	Insulating Pad

Ergo Bar and Heart Rate Sensors



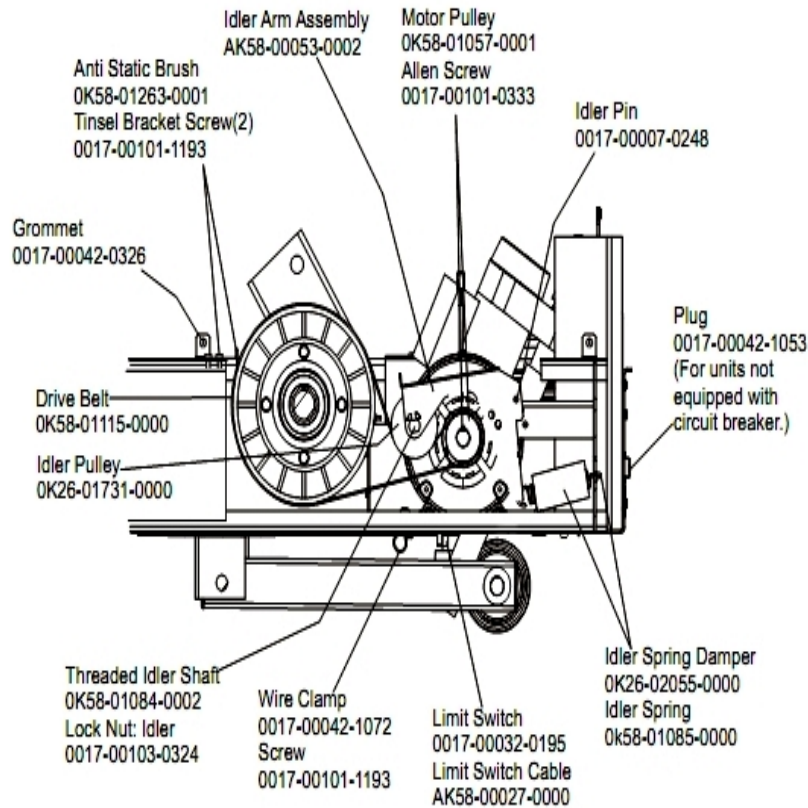
Ref #	Part Number	Qty	Description
-	AK58-00064-0000	1	I/R Lens Cover Assembly
-	AK58-00219-0000	1	Ergo Bar with Heart Rate Sensors
-	0017-00101-0824	1	Hardware: Screw 1.125"
-	OK58-01347-0000	1	ErgoBar Gasket
-	AK58-00376-0001	1	Ergo-Bar Overmold Assembly
-	GK20-00002-0005	1	Heart Rate Electrode Kit

Front Roller Assembly



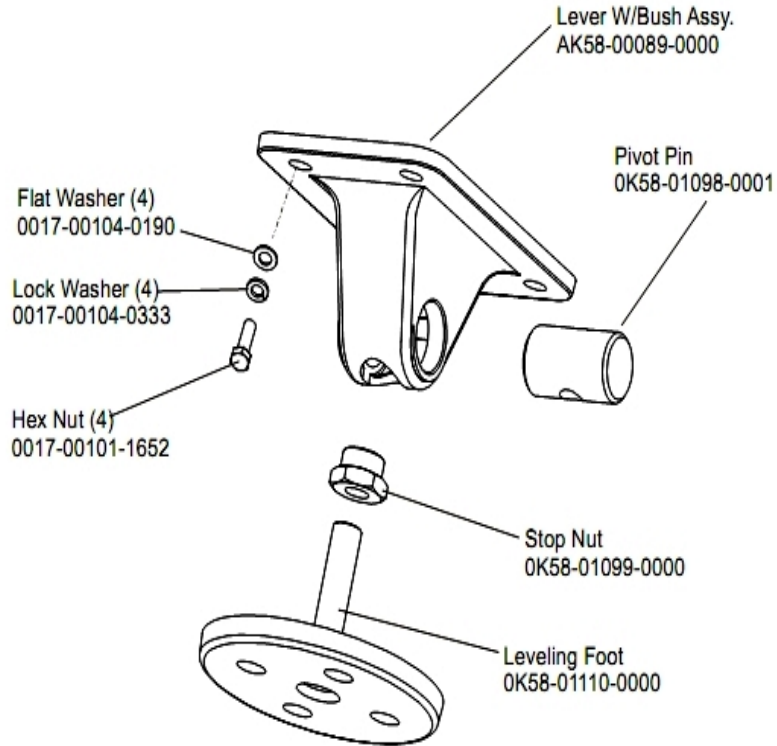
Ref #	Part Number	Qty	Description
-	0017-00101-0974	1	Hardware: Mounting Bolt 2"
-	0017-00104-0043	1	Hardware: Flat Washer 0.734" OD
-	0017-00104-0005	4	Hardware: Lock Washer 0.489" OD
-	AK58-00067-0000	1	Front Roller Assembly
-	0017-00101-1632	4	Hardware: Hex Bolt 0.875"
-	OK58-01105-0000	1	Drive Pulley Poly V - 8"
-	OK58-01067-0001	1	Front Roller - 5"
-	0017-00104-0330	4	Hardware: Flat Washers 0.562" OD

Idler Arm Assembly



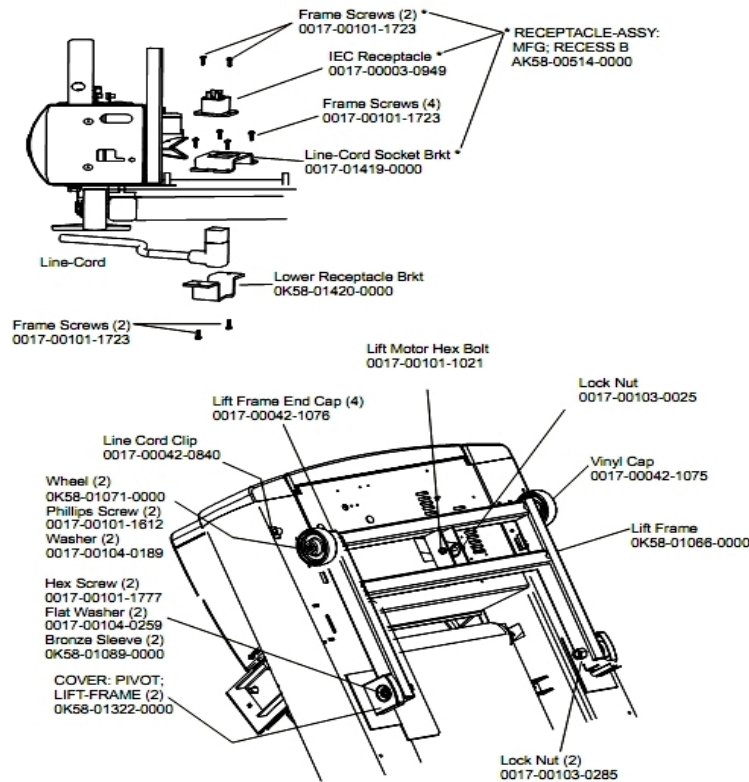
Ref #	Part Number	Qty	Description
-	OK58-01057-0001	1	Drive Pulley - 1.971"
-	AK58-00053-0002	1	Idler Arm Assembly
-	0017-00042-1053	1	Plug (For units not equipped with circuit breaker.)
-	0017-00103-0324	1	Hardware: Thin Lock Nut 3/8" ID
-	AK58-00027-0000	1	Limit Switch Cable
-	OK26-01731-0000	1	Plastic Idler 2 5/8" OD
-	OK26-02055-0000	1	Spring Damper
-	0017-00032-0195	1	Home Switch
-	0017-00042-1072	1	Hardware: Wire Clamp - 5/8"
-	OK58-01084-0002	1	Threaded Shaft
-	0017-00007-0248	1	Hardware: Locking Pin .31" D 2.125" L
-	0017-00042-0326	1	Hardware: Plastic Grommet
-	0017-00101-1193	3	Hardware: Screw 0.375"
-	OK58-01085-0000	1	Extension Spring
-	OK58-01263-0001	1	Tinsel Bracket
-	0017-00101-0333	1	Hardware: Screw 0.3125"
-	GK58-00002-0129	1	KIT: TREADMILL BELT AND PULLEY

Leg Leveler Assembly



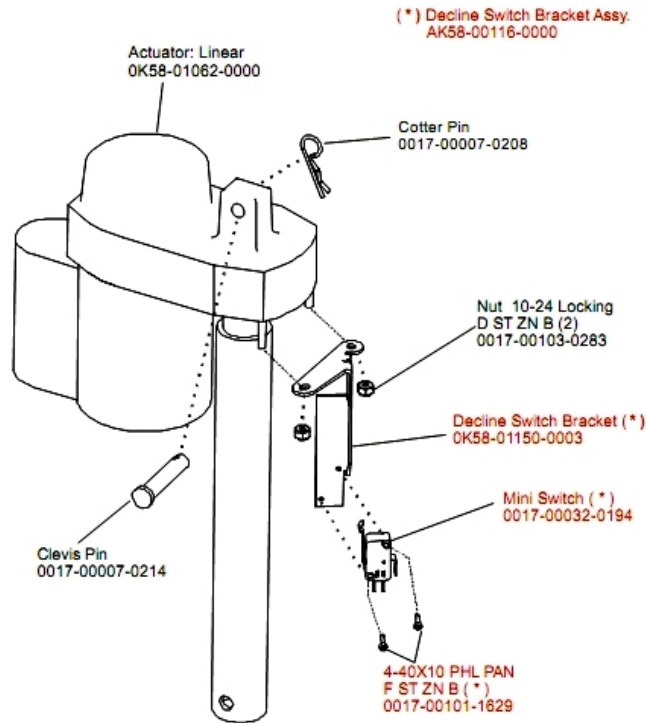
Ref #	Part Number	Qty	Description
-	OK58-01110-0000	1	Leveler Foot
-	OK58-01099-0000	1	Hardware: Stop Nut
-	AK58-00464-0000	1	Leveler Assembly
-	0017-00104-0190	4	Hardware: Flat Washer 0.734" OD
-	0017-00104-0333	4	Hardware: Washer 0.683" OD
-	OK58-01098-0001	1	Hardware: Pivot Pin
-	AK58-00089-0000	1	Bracket Leveler
-	0017-00101-1652	4	Hardware: Spring Mounting Screw 1"

Lift Frame and Receptacle Assembly



Ref #	Part Number	Qty	Description
-	AK58-00220-0000	1	LIFT-FRAME ASSY: MFG. C
-	0K58-01420-0000	1	Lower Receptacle Bracket
-	0K58-01089-0000	2	Bronze Sleeve Bushings
-	0017-00042-0840	1	Hardware: Push Mount Clip
-	0K58-01071-0000	2	Wheel
-	0017-00042-1075	1	Vinyl Cap
-	0017-00101-1612	2	Hardware: Phillips Screw 0.5"
-	0017-00104-0259	2	Hardware: Washer 1.331" OD
-	0017-00103-0025	1	Hardware: Locking Nut 3/8" ID
-	0017-00101-1021	1	Hardware: Lift Motor Hex Bolt 2.5"
-	0017-00003-0949	1	IEC Receptacle
-	0K58-01322-0000	2	Lift Frame Pivot Cover
-	0K58-01419-0000	1	Line Cord Socket Bracket
-	0017-00104-0189	2	Hardware: Flat Washer 1" OD
-	0017-00101-1777	2	Hardware: Lift Frame Mounting Bolt 2.75"
-	AK58-00514-0000	1	Receptacle Assembly
-	0017-00101-1723	8	Hardware: Phillips Pan Screw 0.375"
-	0017-00103-0285	2	Hardware: Nut 5/8" ID
-	0017-00042-1076	4	Lift Frame End Cap

Lift Motor Assembly

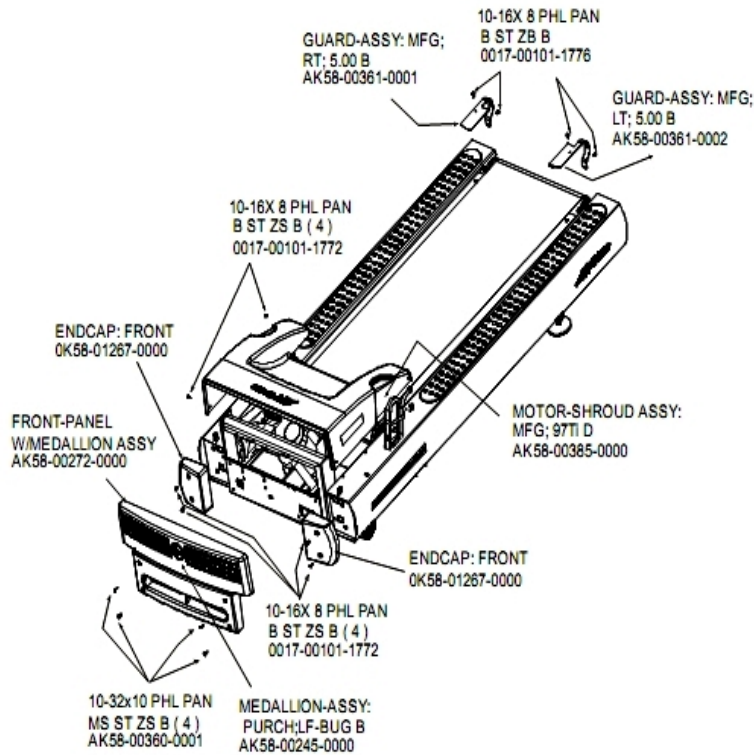


Ref #	Part Number	Qty	Description
-	AK58-00075-0000	1	Lift Motor Bracket Assembly
-	AK58-00116-0000	1	Switch Bracket Assembly
-	0017-00032-0194	1	Mini Switch; SPDT
-	0017-00007-0208	2	Hardware: Cotter Pin
-	0017-00101-1629	1	Hardware: Phillips Pan Screw 0.625"
-	0K58-01062-0000	1	Lift Motor - 120/60
-	0017-00007-0214	2	Hardware: Clevis Pin 3/8" D 1.75" L
-	0K58-01150-0003	1	Decline Switch Bracket
-	0017-00103-0283	2	Hardware: Locking Nut ID

Line Cords and Line Cord Options

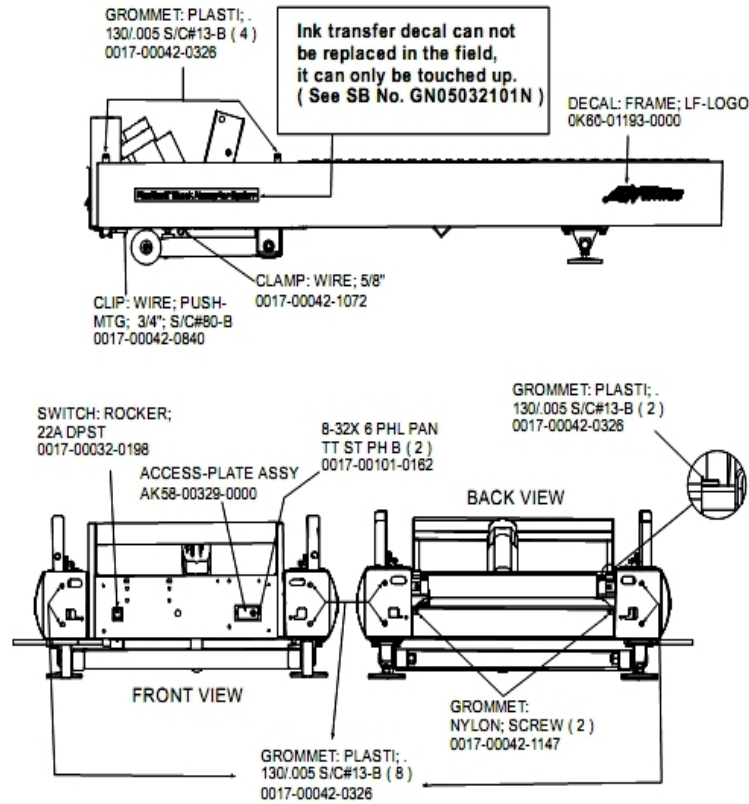
Ref #	Part Number	Qty	Description
-	0017-00003-0980	1	Line Cord: US Low Voltage 144"
-	0017-00003-0915	1	Line Cord RT Angle Plug
-	0017-00003-0947	1	Line Cord: 120V; 20A; 12'

Motor Cover, Front Cover and Front End Caps



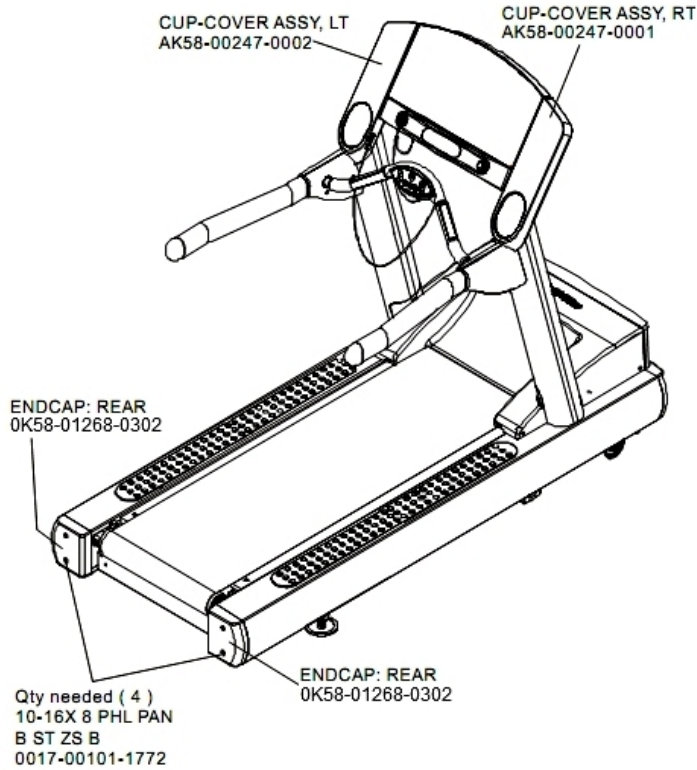
Ref #	Part Number	Qty	Description
-	AK58-00360-0001	1	Rear Roller Guard: Right
-	0017-00101-1772	2	Hardware: Phillips Pan Screw 0.5"
-	AK58-00245-0000	1	Bug Medallion
-	0K58-01267-0000	2	End Cap
-	0017-00101-1776	1	Hardware: Mounting Screw 0.5"
-	AK58-00272-0000	1	Front Panel with Medallion
-	0K58-01391-0001	1	Rear Roller Guard Right
-	0K58-01391-0002	1	Rear Roller Guard Left
-	AK58-00385-0000	1	Motor Cover

On/Off Switch, Access Plate and Grommets



Ref #	Part Number	Qty	Description
-	0017-00101-0162	1	Hardware: Screw 0.375"
-	AK58-00329-0000	1	Access Panel Assembly
-	0017-00042-0840	1	Hardware: Push Mount Clip
-	OK60-01193-0000	1	Decal: LF Logo
-	0017-00032-0198	1	On/Off Switch 22A
-	0017-00042-0326	3	Hardware: Plastic Grommet
-	0017-00042-1147	1	Hardware: Nylon Grommet
-	0017-00042-1072	1	Hardware: Wire Clamp - 5/8"

Rear End Caps and Cup Holders



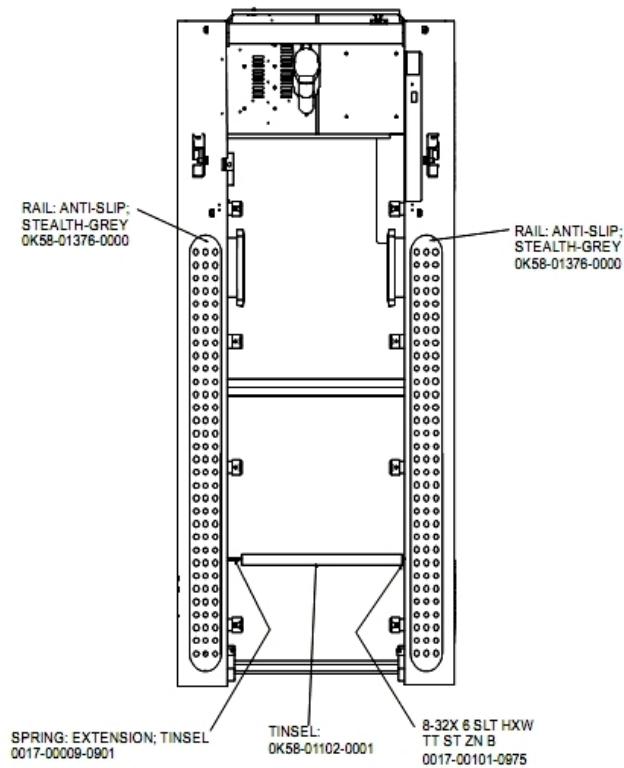
Ref #	Part Number	Qty	Description
-	AK58-00247-0002	1	Cup Holder Left
-	0K58-01268-0302	2	ENDCAP: REAR; STEALTH D
-	AK58-00247-0001	1	Cup Holder Right
-	0017-00101-1772	4	Hardware: Phillips Pan Screw 0.5"

References

Ref #	Part Number	Qty	Description
-	AK58-00226-0000	1	Hardware Bag
-	0017-00008-0204	1	Paint Spray Can - Arctic Silver
-	0017-00042-0840	5	Hardware: Push Mount Clip
-	0017-00101-1770	6	Hardware: Phillips Pan Screw 0.5"
-	0K58-01376-0000	2	Anti-Scuff Pad
-	0017-00101-1772	6	Hardware: Phillips Pan Screw 0.5"
-	0K58-01347-0000	2	ErgoBar Gasket
-	0017-00101-1778	4	Hardware: Hex Bolt 1"
-	0017-00008-0206	1	.33oz Pen - Arctic Silver
-	0017-00042-0326	4	Hardware: Plastic Grommet
-	0017-00042-1147	2	Hardware: Nylon Grommet
-	0017-00103-0327	4	Hardware: Hex Nut 5/16" ID
-	0K58-01305-0002	2	Upright Plug
-	0017-00008-0211	1	Paint: Shadow-Gray Touch Up: .6 OZ Bottle
-	0017-00101-1774	4	Hardware: TORX Screw 2.5"
-	0017-00101-1780	8	Hardware: Mounting Screws
-	GK58-00002-0071	1	Anti-Slip Rail
-	0K58-01391-0001	1	Rear Roller Guard Right
-	0K58-01391-0002	1	Rear Roller Guard Left
-	0017-00008-0210	1	Paint: Shadow-Gray Touch Up: .6 OZ Bottle
-	0017-00101-1776	4	Hardware: Mounting Screw 0.5"
-	0017-00104-0325	4	Hardware: Washer 0.873" OD

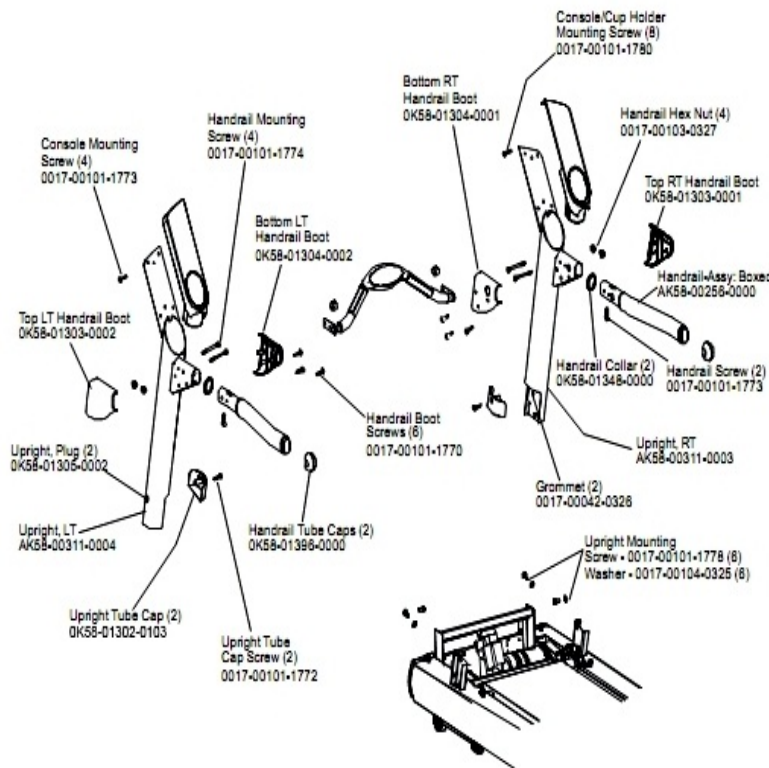
Ref #	Part Number	Qty	Description
-	0017-00101-1773	6	Hardware: TORX Screw 0.5"
-	0017-00009-1049	1	Torx Wrench
-	GK58-00002-0096	1	Roller Guard kit
-	0017-00008-0205	1	5 oz Bottle - Arctic Silver
-	M051-00K58-B128	1	Service Instructions - Roller Guards

Scuff Pad and Tinsel



Ref #	Part Number	Qty	Description
-	0017-00101-0975	1	Hardware: Mounting Bolt 0.375"
-	0017-00009-0901	1	Tinsel Extension Spring
-	0K58-01102-0001	1	Anti-Static Tinsel
-	0K58-01376-0000	3	Anti-Scuff Pad

Uprights and Handrails



Ref #	Part Number	Qty	Description
-	0017-00101-1773	6	Hardware: TORX Screw 0.5"
-	0017-00104-0325	6	Hardware: Washer 0.873" OD
-	0K58-01396-0000	2	Endcap
-	0K58-01303-0002	1	Top Left Handrail Boot
-	0K58-01304-0001	1	Bottom Right Handrail Boot
-	0K58-01304-0002	1	Bottom Left Handrail Boot
-	0017-00101-1772	2	Hardware: Phillips Pan Screw 0.5"
-	0K58-01303-0001	1	Top Right Handrail Boot
-	0017-00101-1778	6	Hardware: Hex Bolt 1"
-	0017-00042-0326	2	Hardware: Plastic Grommet
-	0017-00103-0327	4	Hardware: Hex Nut 5/16" ID
-	0K58-01302-0103	2	Cap: Upright Tube; Arctic Silver
-	0K58-01305-0002	2	Upright Plug
-	AK58-00256-0001	1	Handrail
-	AK58-00311-0004	1	Upright: Left
-	0017-00101-1774	4	Hardware: TORX Screw 2.5"
-	0017-00101-1780	8	Hardware: Mounting Screws
-	AK58-00311-0003	1	Upright: Right
-	0K58-01348-0000	2	Handrail Collar
-	0017-00101-1770	6	Hardware: Phillips Pan Screw 0.5"

