

97Ti Treadmill - 4HP AC - Heart Rate

97T-0100-07

Parts Manual

1/5/2019 11:42:06 AM

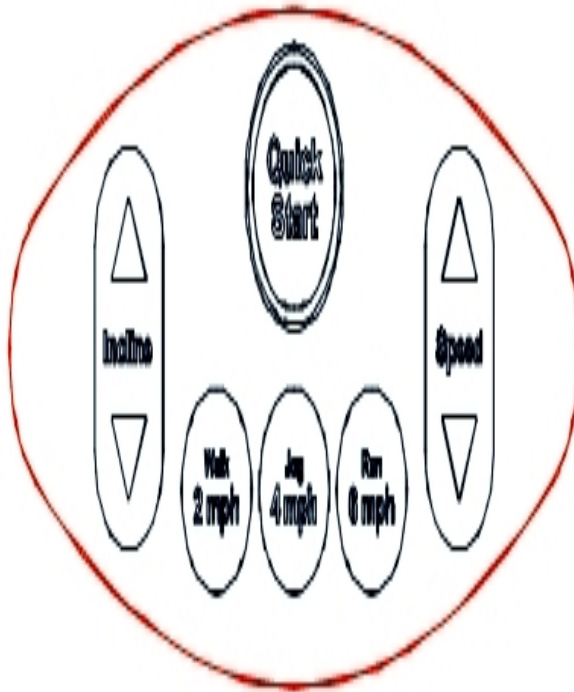


LifeFitness
WHAT WE LIVE FOR

Table of Contents

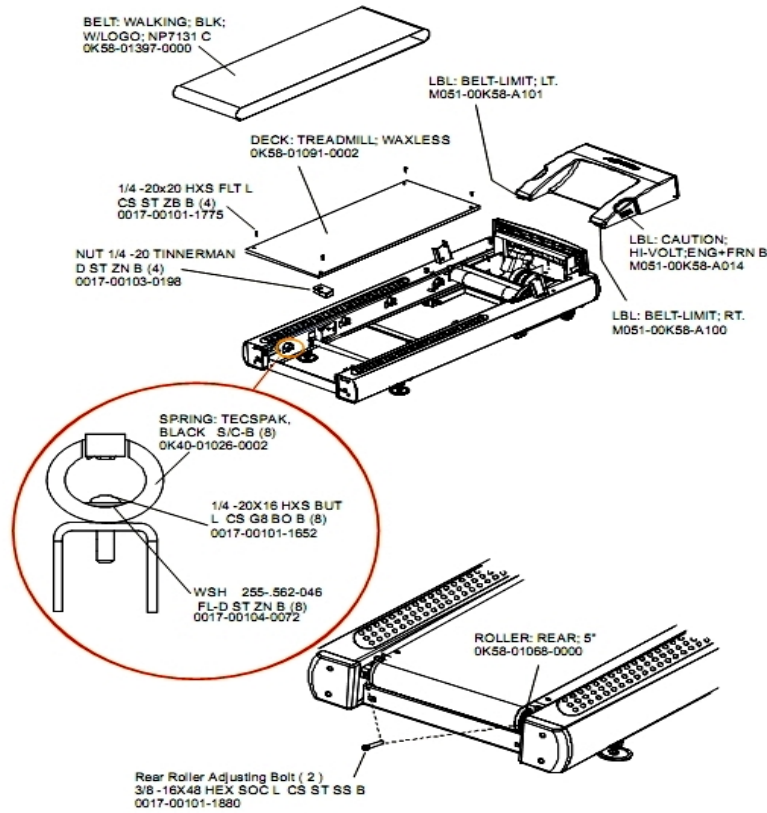
A-Z Module with Overlay Assembly.....	3
Belt, Deck and Rear Rollers.....	4
Cables.....	5
Console Components.....	6
Console, Overlay Assembly and Overlay.....	7
Drive Motor Assembly.....	8
Ergo Bar, Heart Rate Sensors and Activity Zone.....	9
Front Roller Assembly.....	10
Idler Arm Assembly.....	11
Leg Leveler Assembly.....	12
Lift Frame and Receptacle Assembly.....	13
Lift Motor Assembly.....	14
Miscellaneous.....	15
Motor Cover, Front Cover and Front End Caps.....	17
On/Off Switch, Access Plate and Grommets.....	18
Optional Line Cords.....	19
Rear End Caps and Cup Holders.....	20
Scuff Pad and Tinsel.....	21
Stride Sensor and Stride Sensor PCB Assembly.....	22
Uprights and Handrails.....	23

A-Z Module with Overlay Assembly



Ref #	Part Number	Qty	Description
-	AK58-00555-0002	1	Activity Zone Assembly: English/Metric
-	0K58-01459-0002	1	Activity Zone Overlay English/Metric

Belt, Deck and Rear Rollers

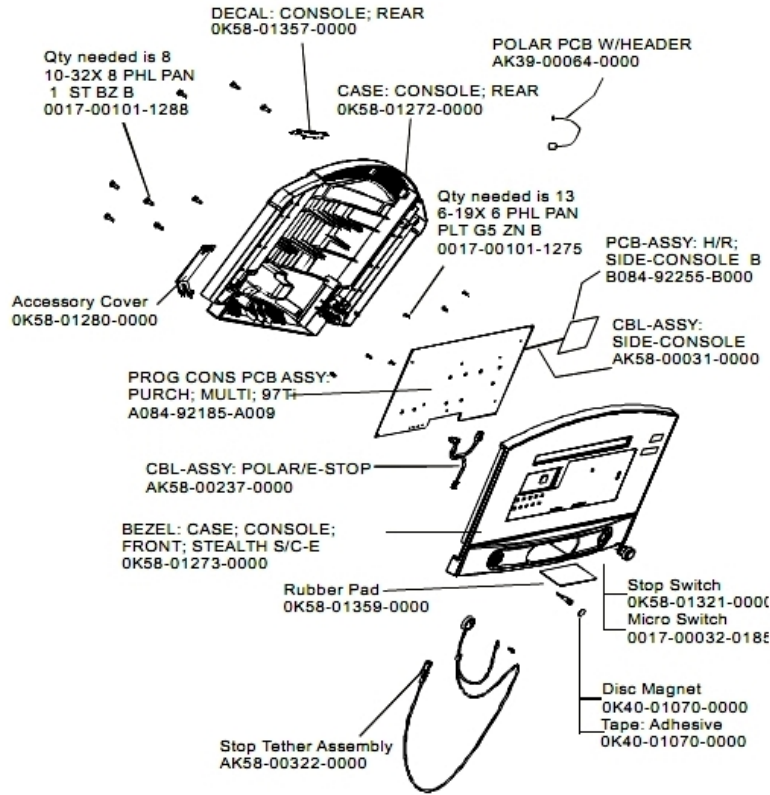


Ref #	Part Number	Qty	Description
-	0017-00103-0198	4	Hardware: Tinnerman Clip 1/4" ID
-	0017-00101-1775	4	Hardware: Deck Screws 1.25"
-	OK40-01026-0002	8	Deck Spring
-	OK58-01397-0000	1	Striding Belt
-	OK65-01263-0000	1	Deck
-	M051-00K58-A101	1	Belt Limit Label. Left
-	M051-00K58-A100	1	Label: Belt Limit: Right
-	0017-00101-1652	8	Hardware: Spring Mounting Screw 1"
-	0017-00101-1880	2	Hardware: Tension Bolts 3"
-	OK58-01068-0000	1	Rear Roller - 5"
-	M051-00K58-A014	1	Label: Caution
-	0017-00104-0072	8	Hardware: Flat Washer 0.562" OD

Cables

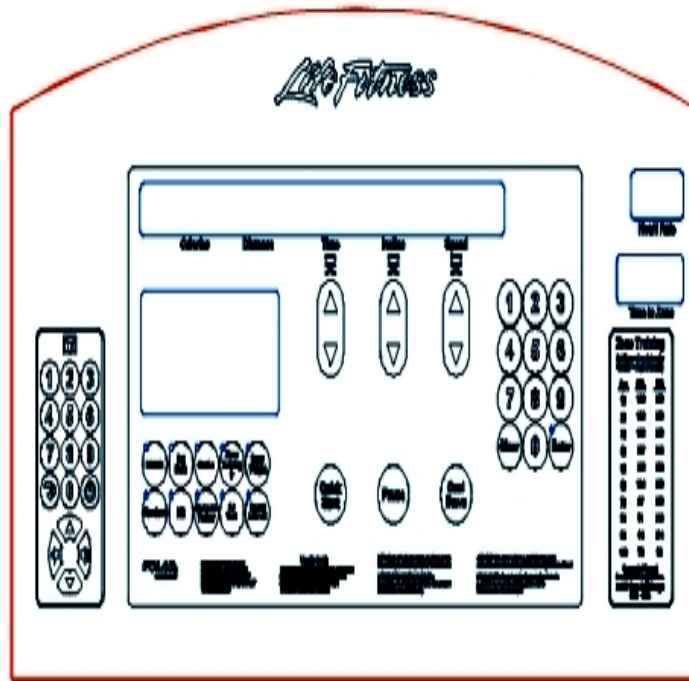
Ref #	Part Number	Qty	Description
-	AK58-00083-0000	1	Cable Assembly
-	0017-00003-1015	1	20 amp Line Filter (DOM)
-	AK60-00009-0001	1	Negative Switch Cable Assembly
-	AK58-00522-0000	1	Cable: Jumper; Power; LED Console
-	AK58-00082-0000	1	Jumper Cable Assembly: White - 6"
-	AK58-00034-0001	1	Console Power Cable
-	AK58-00520-0000	1	Power Cable Assembly: 100-120V
-	AK58-00237-0000	1	Cable-Assembly: Polar/E-Stop
-	AK58-00224-0001	1	Cable: MOV; Fliter
-	AK58-00083-0001	1	Jumper Cable Assembly: Green/Yellow - 7"
-	AK58-00036-0000	1	Cable-Assembly: Emergency-Stop Switch
-	AK58-00598-0000	1	Cable: ISO Power
-	AK58-00032-0000	1	User Proximity Sensor Cable
-	AK58-00597-0000	1	Cable Extension ISO Sensor
-	AK32-00078-0001	1	Power Extension Cable: 120"
-	AK32-00020-0002	1	Coax Cable: 120"
-	AK58-00263-0000	1	Hi-Pot Jumper Cable
-	AK58-00081-0000	1	Jumper Cable Assembly: Black - 4"
-	AK58-00027-0000	1	Limit Switch Cable
-	AK58-00031-0000	1	Side Console Cable Assembly
-	AK58-00041-0001	1	Heart Rate Sensor Cable
-	AK58-00524-0000	1	Cable: Thermal Adapter

Console Components



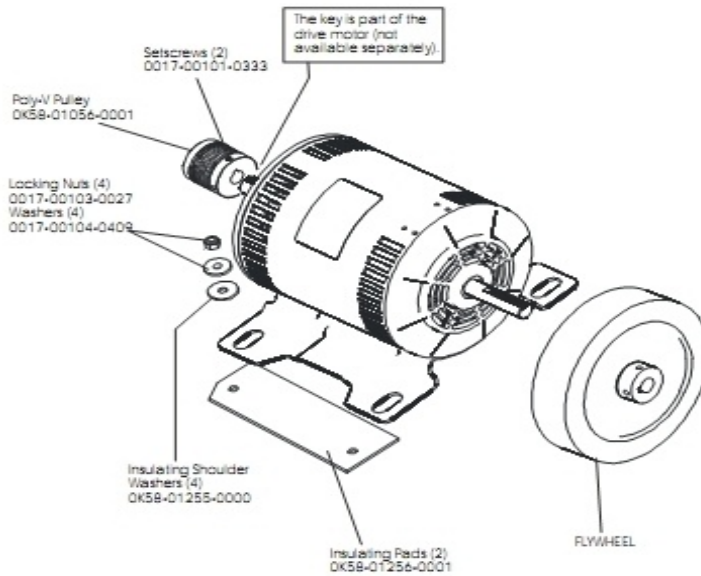
Ref #	Part Number	Qty	Description
-	B084-92255-B000	1	PCB Assembly
-	AK58-00322-0000	1	Tether Stop Assembly
-	A084-92185-A009	1	PCB Assembly
-	OK58-01272-0000	1	Rear Console Case
-	OK58-01280-0000	1	Accessory Cover
-	0017-00032-0185	1	Micro Switch 150GR
-	OK58-01357-0000	1	Decal
-	OK40-01070-0000	2	Magnetic Disk
-	OK58-01359-0000	1	Rubber Pad
-	OK58-01273-0000	1	Front Console Case
-	AK58-00237-0000	1	Cable-Assembly: Polar/E-Stop
-	AK58-00031-0000	1	Side Console Cable Assembly
-	OK58-01321-0000	1	Stop Switch
-	118E-00001-0259	1	Wireless Receiver Module, Non-Coded
-	0017-00101-1288	8	Hardware: Phillips Screw 0.5"
-	0017-00101-1275	13	Hardware: Phillips Screw 0.375"

Console, Overlay Assembly and Overlay



Ref #	Part Number	Qty	Description
-	AK58-00202-0001	1	Overlay Switch Bezel Assembly - English/European
-	OK58-01296-0001	1	Overlay - English / Metric
-	AK58-00582-0001	1	Console: English/Metric

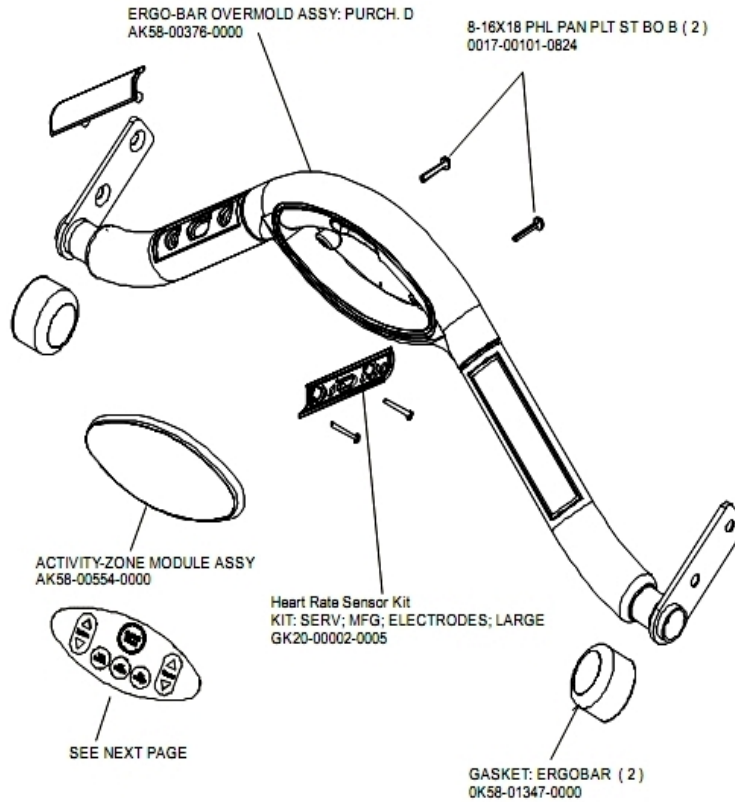
Drive Motor Assembly



Description	Part Nos.	
	S/N TST100000–TST100343	S/N TST100344 and up
Drive Motor Assembly	AK58-00171-0001 (dual cable)	AK58-00171-0002 (tapered shaft)
Cast Iron Flywheel	0K58-01092-0002	0K58-01092-0004
Drive Motor Setscrews/Bolt	0017-00101-0975 (uses setscrews)	0017-00101-1885 (uses bolt)

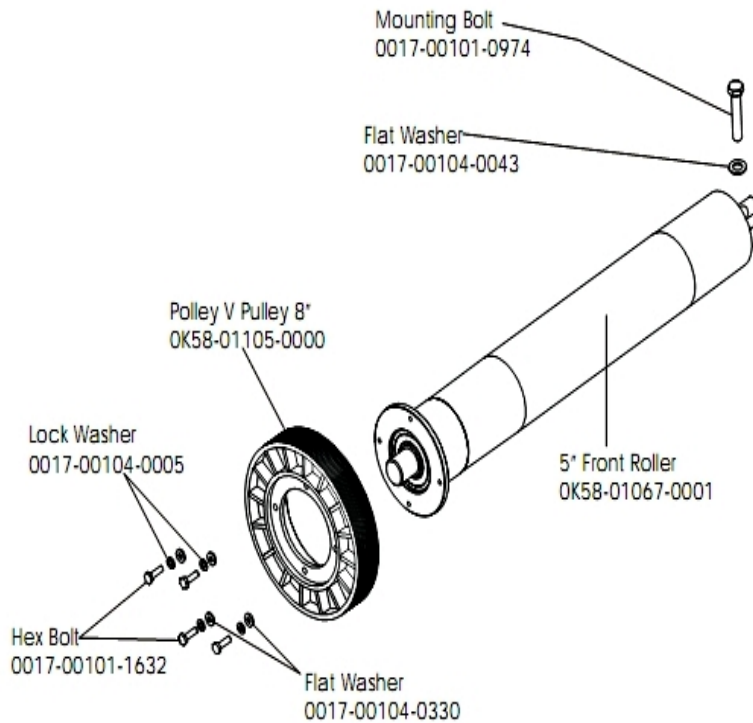
Ref #	Part Number	Qty	Description
-	AK58-00171-0001	1	Drive Motor Assembly
-	0017-00103-0027	4	Hardware: Locking Nut. 5/16" ID
-	0017-00101-0975	1	Hardware: Mounting Bolt 0.375"
-	0K58-01092-0002	1	Cast Iron Flywheel
-	0017-00101-1885	1	Hardware: Hex Bolt 1"
-	0K58-01256-0001	2	Insulating Pad
-	0K58-01092-0004	1	Cast Iron Flywheel
-	0K58-01386-0004	1	MOTOR: MAIN DRIVE, 230V/50HZ, W/TAPER
-	0017-00104-0409	4	Hardware: Washer 1.125" OD
-	0017-00101-0333	2	Hardware: Screw 0.3125"
-	0K58-01255-0000	4	Hardware: Insulating Washers

Ergo Bar, Heart Rate Sensors and Activity Zone



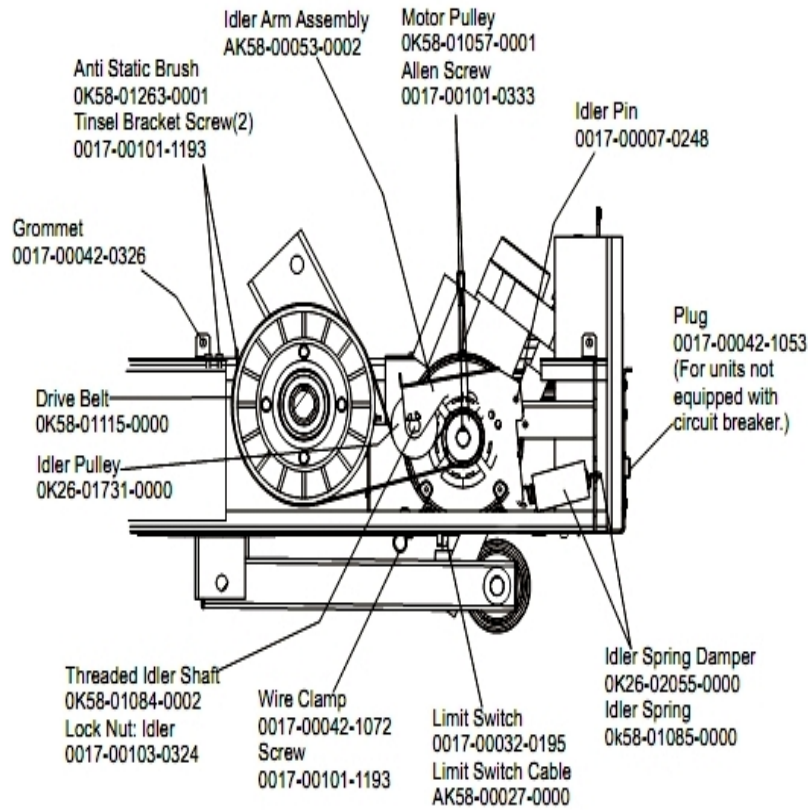
Ref #	Part Number	Qty	Description
-	AK58-00554-0201	1	Activity-Zone Module Assembly: Purchased; Generic Shadow Grey
-	GK20-00002-0005	1	Heart Rate Electrode Kit
-	0017-00101-0824	2	Hardware: Screw 1.125"
-	AK58-00376-0001	1	Ergo-Bar Overmold Assembly
-	OK58-01347-0000	2	ErgoBar Gasket

Front Roller Assembly



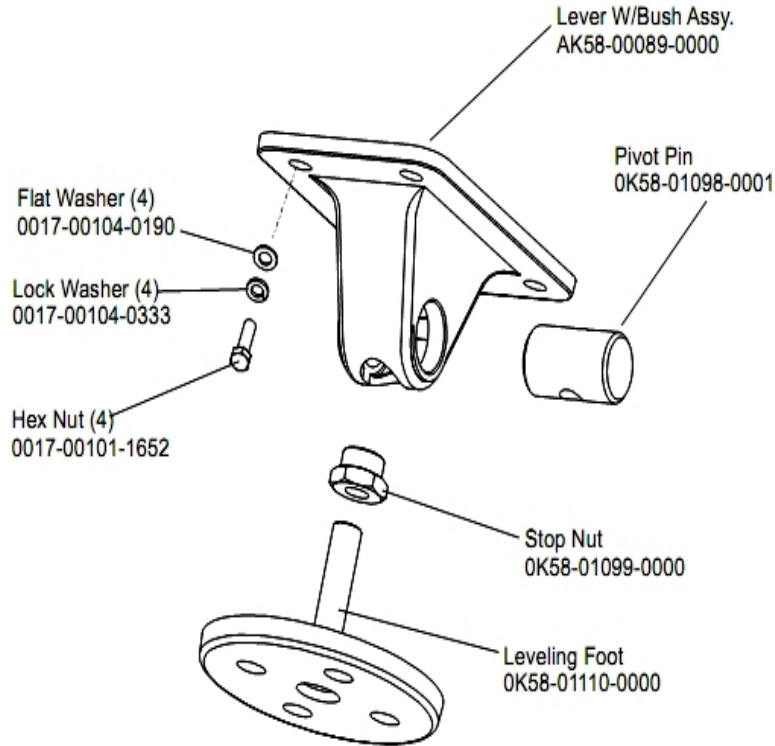
Ref #	Part Number	Qty	Description
-	0017-00101-0974	1	Hardware: Mounting Bolt 2"
-	0017-00104-0043	1	Hardware: Flat Washer 0.734" OD
-	0017-00104-0005	4	Hardware: Lock Washer 0.489" OD
-	AK58-00067-0000	2	Front Roller Assembly
-	OK58-01105-0000	1	Drive Pulley Poly V - 8"
-	0017-00104-0330	4	Hardware: Flat Washers 0.562" OD
-	OK58-01067-0001	1	Front Roller - 5"
-	0017-00101-1632	4	Hardware: Hex Bolt 0.875"

Idler Arm Assembly



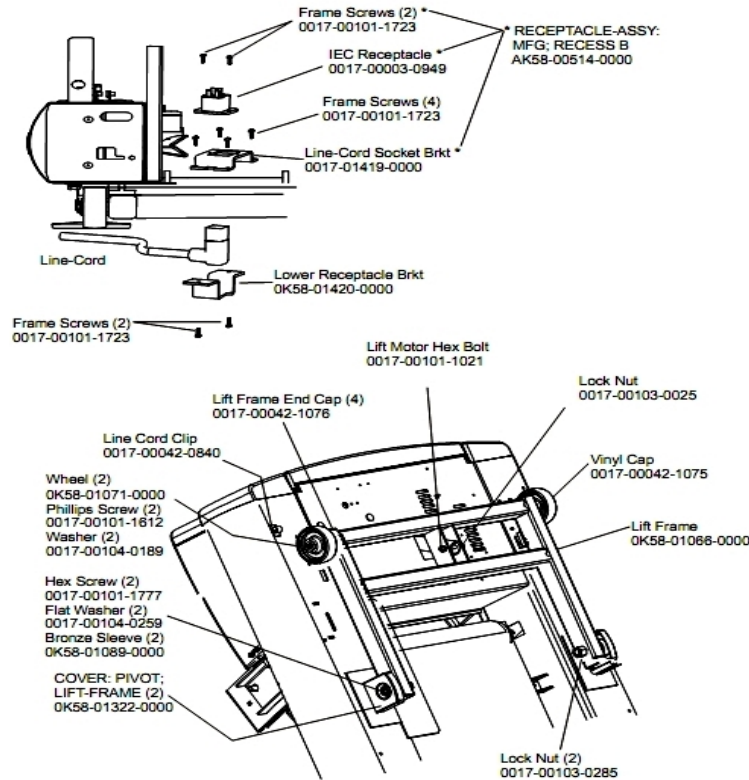
Ref #	Part Number	Qty	Description
-	OK58-01057-0001	1	Drive Pulley - 1.971"
-	AK58-00053-0002	1	Idler Arm Assembly
-	0017-00042-1053	1	Plug (For units not equipped with circuit breaker.)
-	0017-00103-0324	1	Hardware: Thin Lock Nut 3/8" ID
-	AK58-00027-0000	1	Limit Switch Cable
-	OK26-01731-0000	1	Plastic Idler 2 5/8" OD
-	OK26-02055-0000	1	Spring Damper
-	0017-00032-0195	1	Home Switch
-	0017-00042-1072	1	Hardware: Wire Clamp - 5/8"
-	0017-00007-0248	1	Hardware: Locking Pin .31" D 2.125" L
-	0017-00042-0326	1	Hardware: Plastic Grommet
-	0017-00101-1193	3	Hardware: Screw 0.375"
-	OK58-01084-0002	1	Threaded Shaft
-	OK58-01085-0000	1	Extension Spring
-	OK58-01263-0001	1	Tinsel Bracket
-	0017-00101-0333	1	Hardware: Screw 0.3125"
-	GK58-00002-0129	1	KIT: TREADMILL BELT AND PULLEY

Leg Leveler Assembly



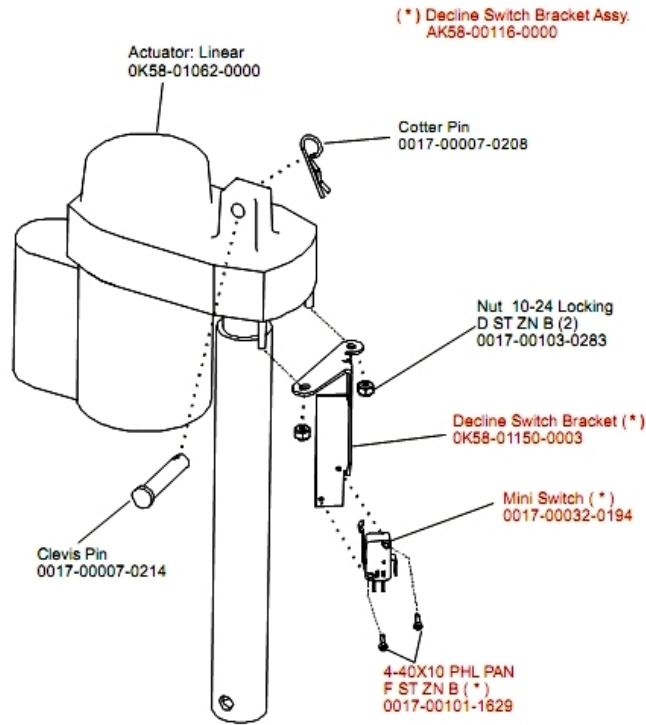
Ref #	Part Number	Qty	Description
-	AK58-00464-0000	2	Leveler Assembly
-	AK58-00089-0000	1	Bracket Leveler
-	0K58-01099-0000	1	Hardware: Stop Nut
-	0017-00104-0333	4	Hardware: Washer 0.683" OD
-	0017-00104-0190	4	Hardware: Flat Washer 0.734" OD
-	0017-00101-1652	4	Hardware: Spring Mounting Screw 1"
-	0K58-01098-0001	1	Hardware: Pivot Pin
-	0K58-01110-0000	1	Leveler Foot

Lift Frame and Receptacle Assembly



Ref #	Part Number	Qty	Description
-	AK58-00220-0000	1	LIFT-FRAME ASSY: MFG. C
-	0K58-01420-0000	1	Lower Receptacle Bracket
-	0K58-01089-0000	2	Bronze Sleeve Bushings
-	0017-00042-0840	1	Hardware: Push Mount Clip
-	0K58-01071-0000	2	Wheel
-	0017-00042-1075	1	Vinyl Cap
-	0017-00101-1612	2	Hardware: Phillips Screw 0.5"
-	0017-00104-0259	2	Hardware: Washer 1.331" OD
-	0017-00103-0025	1	Hardware: Locking Nut 3/8" ID
-	0017-00101-1021	1	Hardware: Lift Motor Hex Bolt 2.5"
-	0017-00003-0949	1	IEC Receptacle
-	AK58-00514-0000	1	Receptacle Assembly
-	0017-00101-1723	8	Hardware: Phillips Pan Screw 0.375"
-	0K58-01419-0000	1	Line Cord Socket Bracket
-	0017-00104-0189	2	Hardware: Flat Washer 1" OD
-	0017-00042-1076	4	Lift Frame End Cap
-	0017-00103-0285	4	Hardware: Nut 5/8" ID
-	0K58-01322-0000	2	Lift Frame Pivot Cover
-	0017-00101-1777	2	Hardware: Lift Frame Mounting Bolt 2.75"

Lift Motor Assembly



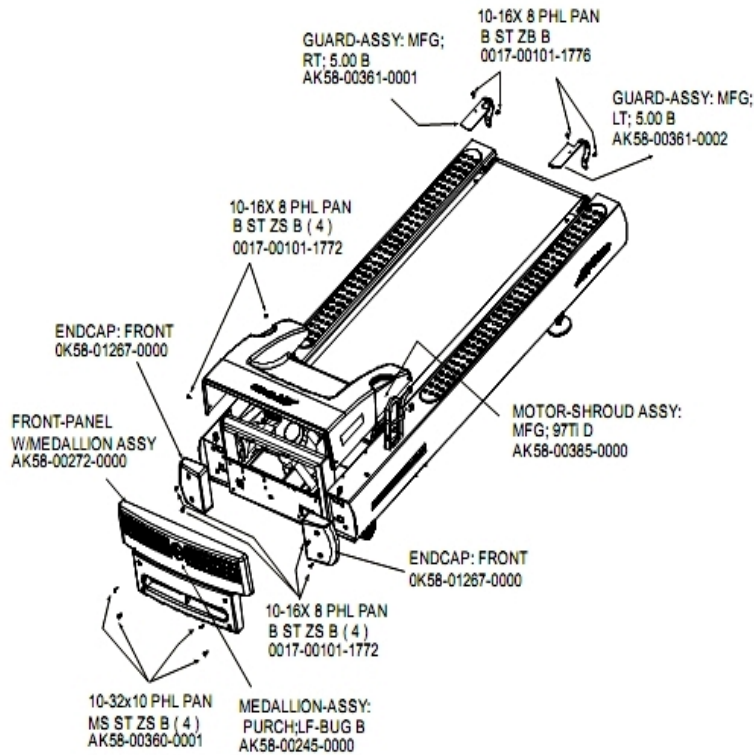
Ref #	Part Number	Qty	Description
-	0017-00032-0194	1	Mini Switch; SPDT
-	OK58-01150-0003	1	Decline Switch Bracket
-	0017-00007-0214	2	Hardware: Clevis Pin 3/8" D 1.75" L
-	0017-00101-1629	1	Hardware: Phillips Pan Screw 0.625"
-	OK58-01062-0000	1	Lift Motor - 120/60
-	AK58-00075-0000	1	Lift Motor Bracket Assembly
-	0017-00007-0208	2	Hardware: Cotter Pin
-	0017-00103-0283	2	Hardware: Locking Nut ID
-	AK58-00116-0000	1	Switch Bracket Assembly

Miscellaneous

Ref #	Part Number	Qty	Description
-	0017-00008-0205	1	5 oz Bottle - Arctic Silver
-	M051-00K58-B128	1	Service Instructions - Roller Guards
-	0017-00009-1049	1	Torx Wrench
-	0017-00101-1773	6	Hardware: TORX Screw 0.5"
-	AK58-00226-0000	2	Hardware Bag
-	0017-00008-0204	1	Paint Spray Can - Arctic Silver
-	0017-00042-0840	5	Hardware: Push Mount Clip
-	0017-00101-1770	6	Hardware: Phillips Pan Screw 0.5"
-	0K58-01376-0000	2	Anti-Scuff Pad
-	0017-00101-1772	6	Hardware: Phillips Pan Screw 0.5"
-	0K58-01347-0000	2	ErgoBar Gasket
-	0017-00008-0206	1	.33oz Pen - Arctic Silver
-	0017-00042-0326	4	Hardware: Plastic Grommet
-	0017-00042-1147	2	Hardware: Nylon Grommet
-	0017-00103-0327	4	Hardware: Hex Nut 5/16" ID
-	0K58-01305-0002	2	Upright Plug
-	0017-00101-1778	4	Hardware: Hex Bolt 1"
-	0017-00008-0211	1	Paint: Shadow-Gray Touch Up: .6 OZ Bottle
-	0017-00101-1774	4	Hardware: TORX Screw 2.5"
-	0017-00101-1780	8	Hardware: Mounting Screws
-	GK58-00002-0071	1	Anti-Slip Rail
-	0K58-01391-0001	1	Rear Roller Guard Right

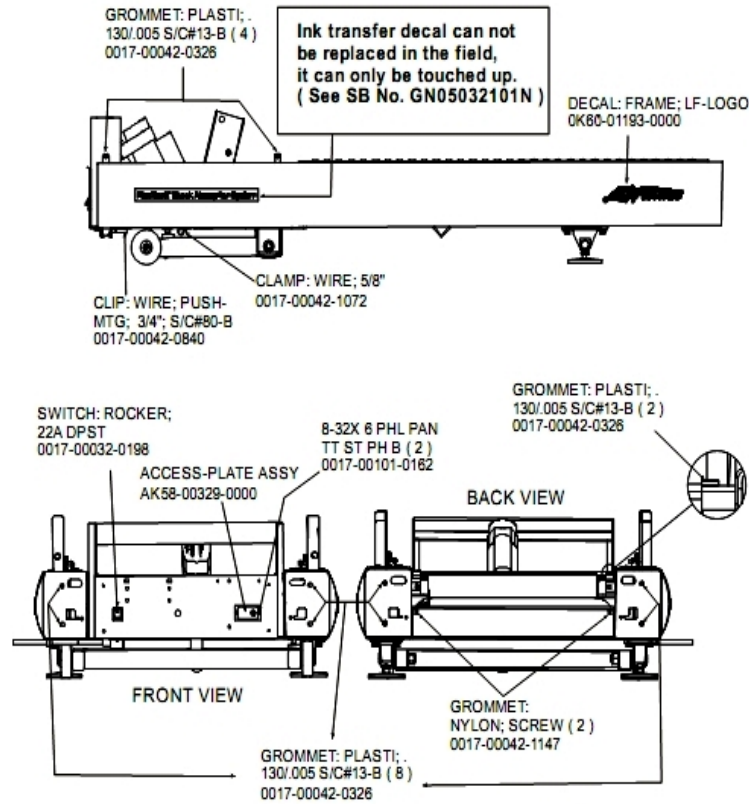
Ref #	Part Number	Qty	Description
-	0K58-01391-0002	1	Rear Roller Guard Left
-	0017-00008-0210	1	Paint: Shadow-Gray Touch Up: .6 OZ Bottle
-	0017-00101-1776	4	Hardware: Mounting Screw 0.5"
-	0017-00104-0325	4	Hardware: Washer 0.873" OD
-	GK58-00002-0096	1	Roller Guard kit

Motor Cover, Front Cover and Front End Caps



Ref #	Part Number	Qty	Description
-	0017-00101-1772	8	Hardware: Phillips Pan Screw 0.5"
-	AK58-00245-0000	1	Bug Medallion
-	AK58-00360-0001	4	Rear Roller Guard: Right
-	0K58-01391-0002	1	Rear Roller Guard Left
-	AK58-00385-0000	1	Motor Cover
-	AK58-00272-0000	1	Front Panel with Medallion
-	0017-00101-1776	1	Hardware: Mounting Screw 0.5"
-	0K58-01267-0000	2	End Cap
-	0K58-01391-0001	1	Rear Roller Guard Right

On/Off Switch, Access Plate and Grommets

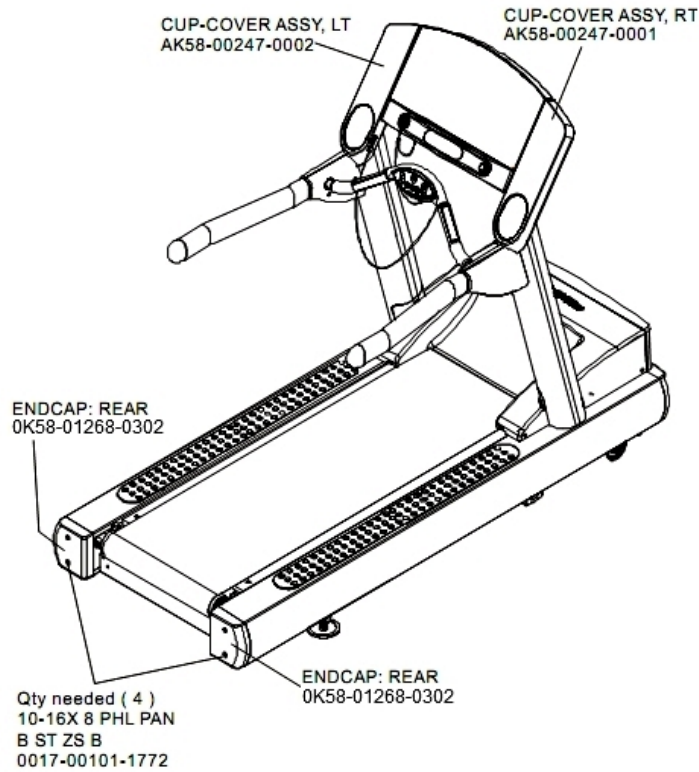


Ref #	Part Number	Qty	Description
-	0017-00042-0840	1	Hardware: Push Mount Clip
-	AK58-00329-0000	1	Access Panel Assembly
-	0017-00101-0162	2	Hardware: Screw 0.375"
-	OK60-01193-0000	1	Decal: LF Logo
-	0017-00042-1147	2	Hardware: Nylon Grommet
-	0017-00042-0326	14	Hardware: Plastic Grommet
-	0017-00032-0198	1	On/Off Switch 22A
-	0017-00042-1072	1	Hardware: Wire Clamp - 5/8"

Optional Line Cords

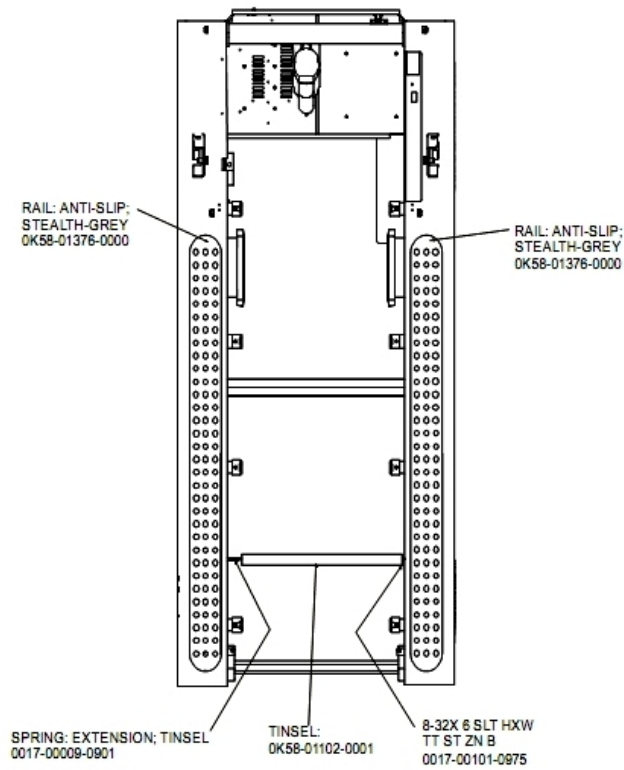
Ref #	Part Number	Qty	Description
-	0017-00003-0915	1	Line Cord RT Angle Plug
-	0017-00003-0974	1	Line Cord: 120V: 8'
-	0017-00003-0947	1	Line Cord: 120V; 20A; 12'

Rear End Caps and Cup Holders



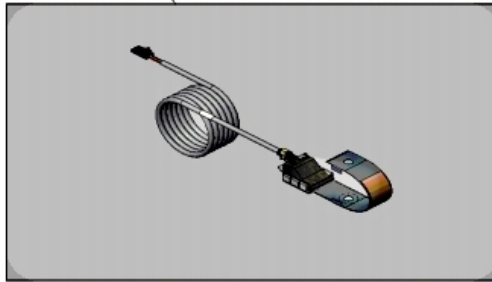
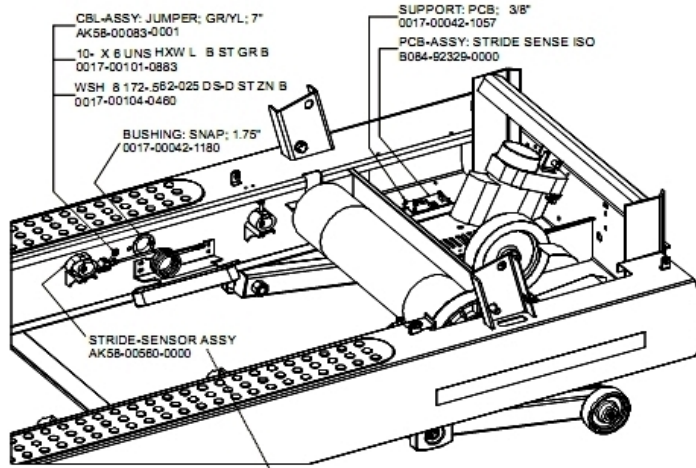
Ref #	Part Number	Qty	Description
-	0017-00101-1772	4	Hardware: Phillips Pan Screw 0.5"
-	OK58-01268-0302	2	ENDCAP: REAR; STEALTH D
-	AK58-00247-0001	1	Cup Holder Right
-	AK58-00247-0002	1	Cup Holder Left

Scuff Pad and Tinsel



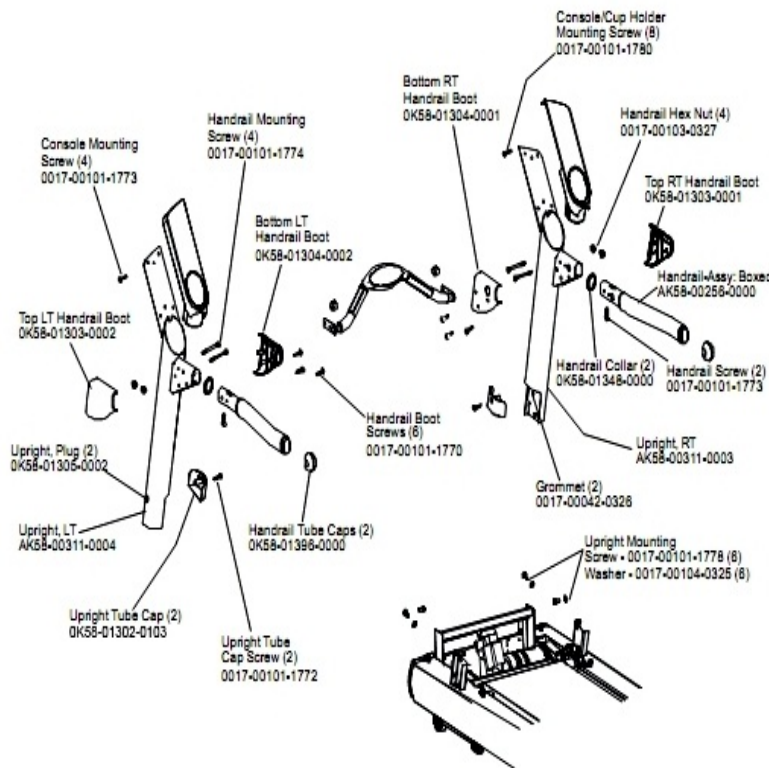
Ref #	Part Number	Qty	Description
-	0017-00009-0901	1	Tinsel Extension Spring
-	OK58-01102-0001	1	Anti-Static Tinsel
-	OK58-01376-0000	2	Anti-Scuff Pad
-	0017-00101-0975	1	Hardware: Mounting Bolt 0.375"

Stride Sensor and Stride Sensor PCB Assembly



Ref #	Part Number	Qty	Description
-	B084-92329-0000	1	PCB-ASSY: STRIDE SENSE ISO
-	AK58-00560-0000	1	Stride Sensor Assembly
-	0017-00042-1180	1	Hardware: Snap Bushing - 1.75"
-	0017-00042-1057	1	Support: Printed Circuit Board; 3/8"

Uprights and Handrails



Ref #	Part Number	Qty	Description
-	0K58-01348-0000	2	Handrail Collar
-	0017-00101-1772	2	Hardware: Phillips Pan Screw 0.5"
-	0K58-01304-0002	1	Bottom Left Handrail Boot
-	0K58-01304-0001	1	Bottom Right Handrail Boot
-	AK58-00311-0003	1	Upright: Right
-	0017-00101-1780	8	Hardware: Mounting Screws
-	0017-00101-1774	4	Hardware: TORX Screw 2.5"
-	0017-00101-1773	6	Hardware: TORX Screw 0.5"
-	0017-00101-1778	1	Hardware: Hex Bolt 1"
-	AK58-00311-0004	1	Upright: Left
-	AK58-00256-0001	1	Handrail
-	0K58-01305-0002	2	Upright Plug
-	0K58-01302-0103	2	Cap: Upright Tube; Arctic Silver
-	0017-00103-0327	4	Hardware: Hex Nut 5/16" ID
-	0017-00042-0326	2	Hardware: Plastic Grommet
-	0017-00104-0325	6	Hardware: Washer 0.873" OD
-	0017-00101-1770	6	Hardware: Phillips Pan Screw 0.5"
-	0K58-01303-0001	1	Top Right Handrail Boot
-	0K58-01303-0002	1	Top Left Handrail Boot
-	0K58-01396-0000	2	Endcap

