

97Ti Treadmill - 4HP AC - Lifepulse - Decline

97T-0101-02

Parts Manual

1/5/2019 11:43:31 AM

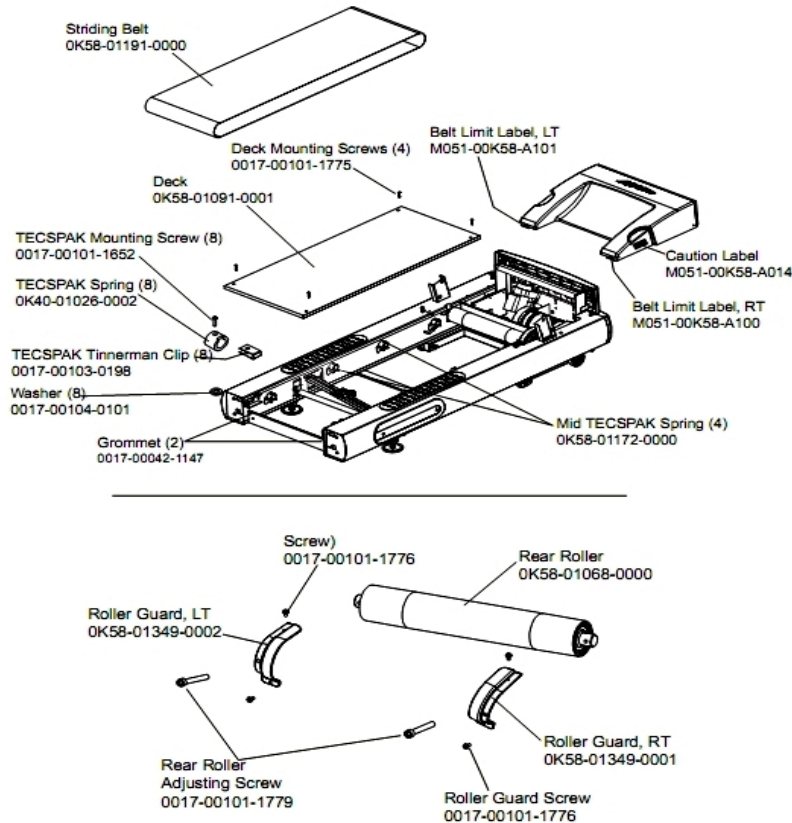


LifeFitness
WHAT WE LIVE FOR

Table of Contents

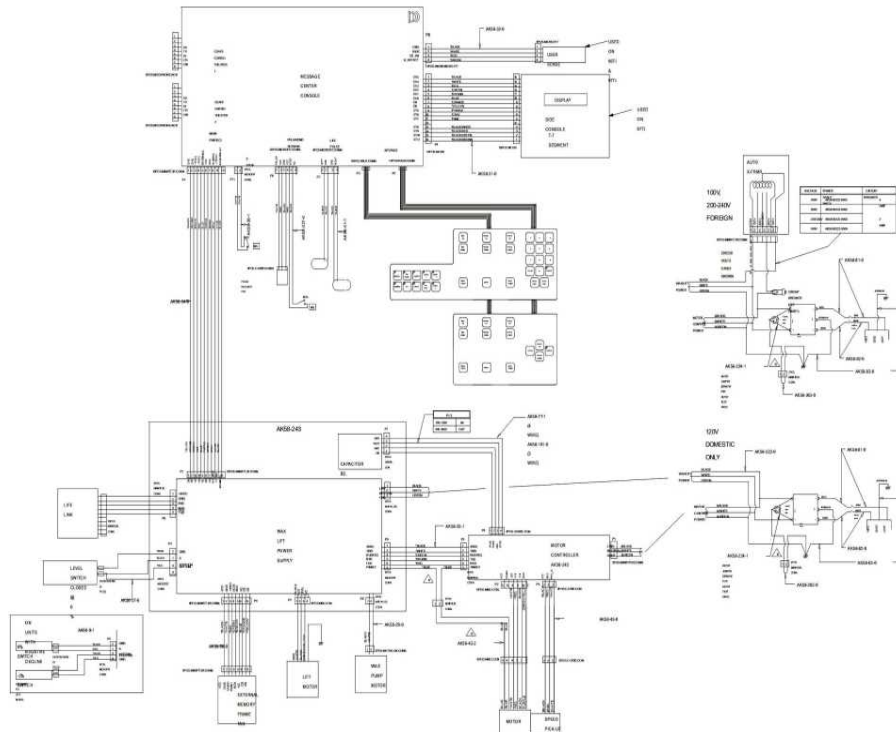
Belt, Deck and Rear Rollers.....	3
Cables.....	4
Console Assembly.....	5
Cover, End Caps and Hardware.....	6
Drive Motor Assembly.....	7
Ergo Bar with Lifepulse.....	8
Frame Assembly.....	9
Front Roller Assembly.....	10
General Assembly.....	11
Handrail Assembly.....	12
Idler Arm Assembly.....	13
Leveler Assembly.....	14
Lift Motor and Frame.....	15
Motor Controller Assembly.....	17
Power Components.....	18
Wax Components.....	19
Wax/Lift Assembly.....	20

Belt, Deck and Rear Rollers



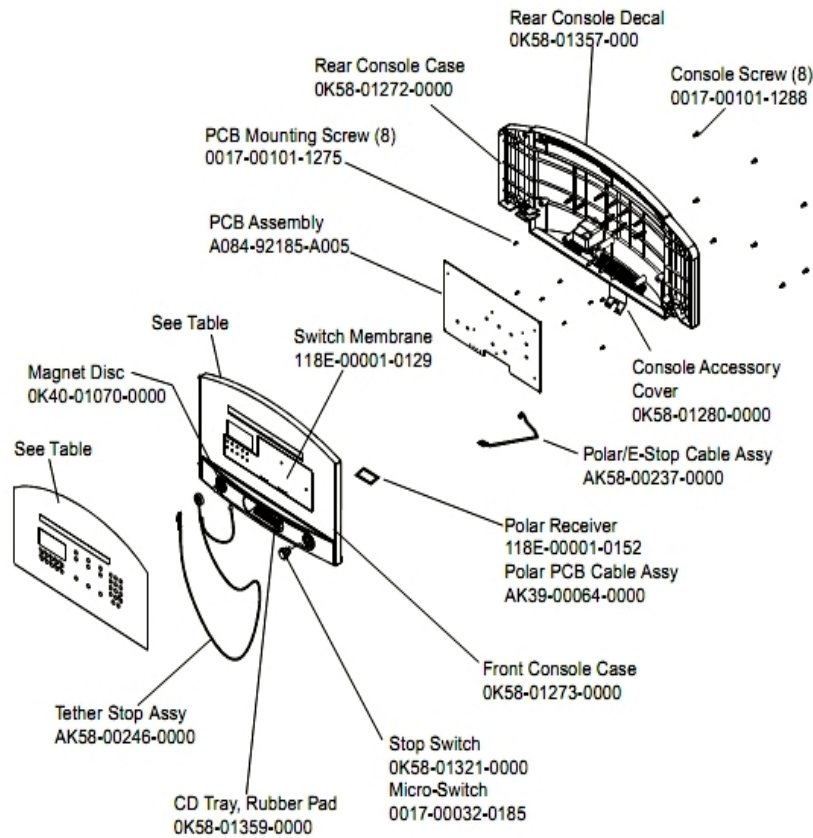
Ref #	Part Number	Qty	Description
-	0017-00103-0198	8	Hardware: Tinnerman Clip 1/4" ID
-	M051-00K58-A101	1	Belt Limit Label. Left
-	0K40-01026-0002	8	Deck Spring
-	0K58-01349-0001	1	Rear Roller Guard Right
-	0017-00101-1779	2	Hardware: Rear Roller Adjusting Bolt
-	0K58-01191-0000	1	Striding Belt
-	0K58-01172-0000	4	TECSPA Spring
-	0017-00042-1147	2	Hardware: Nylon Grommet
-	0017-00101-1652	8	Hardware: Spring Mounting Screw 1"
-	0K58-01349-0002	1	Rear Roller Guard Left
-	0017-00104-0101	8	Hardware: Flat Washer 0.437" OD
-	0K58-01068-0000	1	Rear Roller - 5"
-	0K58-01091-0001	1	Deck
-	M051-00K58-A014	1	Label: Caution
-	0017-00101-1776	4	Hardware: Mounting Screw 0.5"
-	0017-00101-1775	4	Hardware: Deck Screws 1.25"

Cables



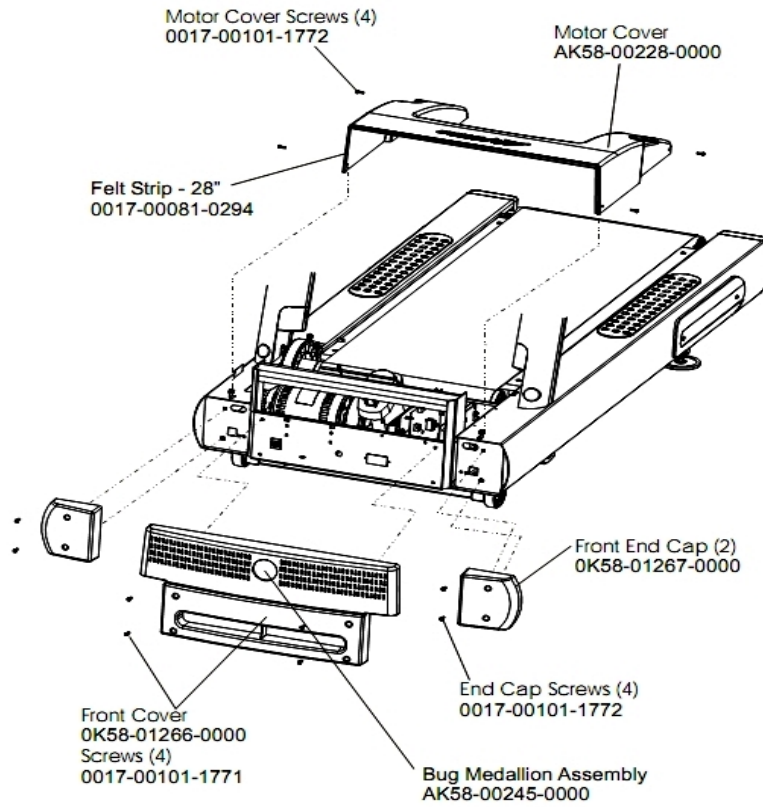
Ref #	Part Number	Qty	Description
-	AK58-00181-0000	1	Cap Board Cable 3-Wire
-	AK58-00027-0000	1	Limit Switch Cable
-	AK58-00035-0001	1	Motor Controller Interface Cable
-	AK58-00029-0000	1	Wax Pump Cable
-	AK58-00223-0003	1	Power Cable Assembly 220-230V
-	AK58-00032-0000	1	User Proximity Sensor Cable
-	AK58-00224-0001	1	Cable: MOV; Fliter
-	AK60-00009-0001	1	Negative Switch Cable Assembly
-	AK58-00237-0000	1	Cable-Assembly: Polar/E-Stop
-	AK58-00082-0000	2	Jumper Cable Assembly: White - 6"
-	AK58-00077-0001	1	Cap Board Cable - Domestic
-	AK58-00030-0000	1	Frame Tag Cable
-	AK58-00083-0000	2	Cable Assembly
-	AK58-00042-0003	1	Cable Motor Drive Extension INT
-	AK58-00222-0000	1	Power Cable Assembly 120V
-	AK58-00031-0000	1	Side Console Cable Assembly
-	AK58-00034-0000	1	Console Cable
-	AK58-00041-0001	1	Heart Rate Sensor Cable
-	AK58-00263-0000	1	Hi-Pot Jumper Cable
-	AK58-00081-0000	2	Jumper Cable Assembly: Black - 4"
-	AK58-00043-0000	1	Speed Sensor Cable
-	AK58-00036-0000	1	Cable-Assembly: Emergency-Stop Switch

Console Assembly



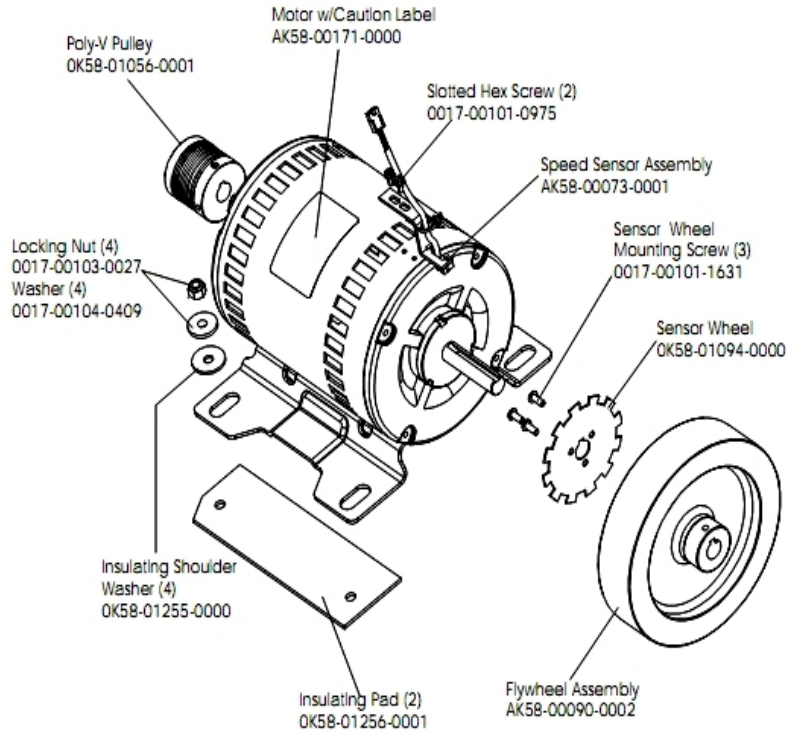
Ref #	Part Number	Qty	Description
-	118E-00001-0259	1	Wireless Receiver Module, Non-Coded
-	0K40-01070-0000	1	Magnetic Disk
-	AK58-00196-0001	1	Console Assembly - English/Metric
-	0K58-01359-0000	1	Rubber Pad
-	0K58-01273-0000	1	Front Console Case
-	AK58-00237-0000	1	Cable-Assembly: Polar/E-Stop
-	118E-00001-0244	1	Heart Rate Receiver
-	0K58-01296-0001	1	Overlay - English / Metric
-	AK58-00202-0001	1	Overlay Switch Bezel Assembly - English/European
-	118E-00001-0129	1	Switch Membrane
-	0K58-01321-0000	1	Stop Switch
-	0017-00101-1288	8	Hardware: Phillips Screw 0.5"
-	0K58-01357-0000	1	Decal
-	0017-00101-1275	8	Hardware: Phillips Screw 0.375"
-	AK58-00322-0000	1	Tether Stop Assembly
-	A084-92185-A009	1	PCB Assembly
-	0K58-01272-0000	1	Rear Console Case
-	0K58-01280-0000	1	Accessory Cover
-	0017-00032-0185	1	Micro Switch 150GR

Cover, End Caps and Hardware



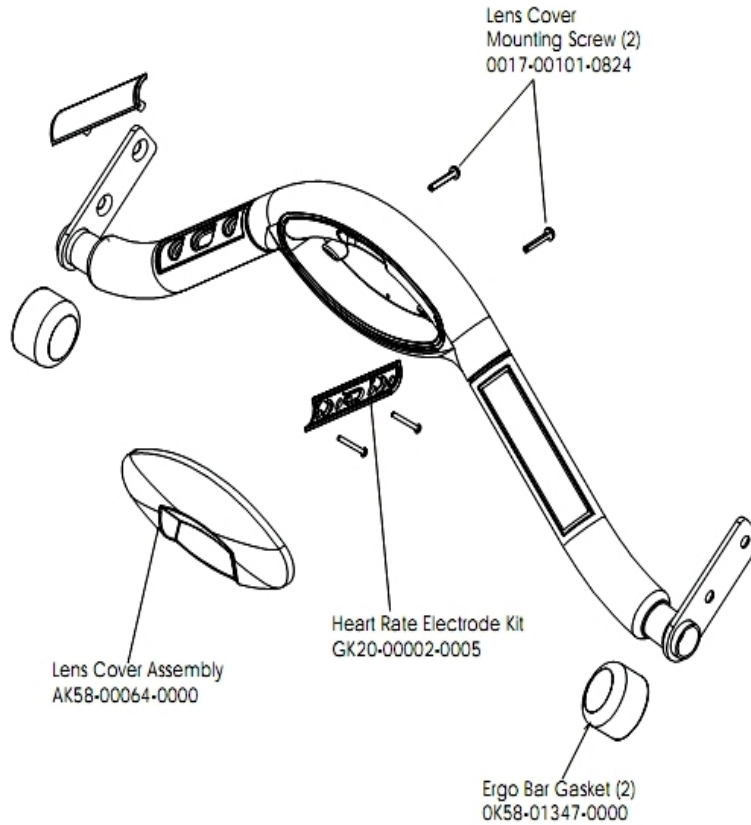
Ref #	Part Number	Qty	Description
-	AK58-00245-0000	1	Bug Medallion
-	0017-00081-0294	1	Felt Strip - 28"
-	0K58-01267-0000	2	End Cap
-	0017-00101-1772	8	Hardware: Phillips Pan Screw 0.5"
-	AK58-00228-0000	1	Motor Cover
-	0017-00101-1771	4	Hardware: Phillips Pan Screw
-	0K58-01266-0000	1	Front Cover

Drive Motor Assembly



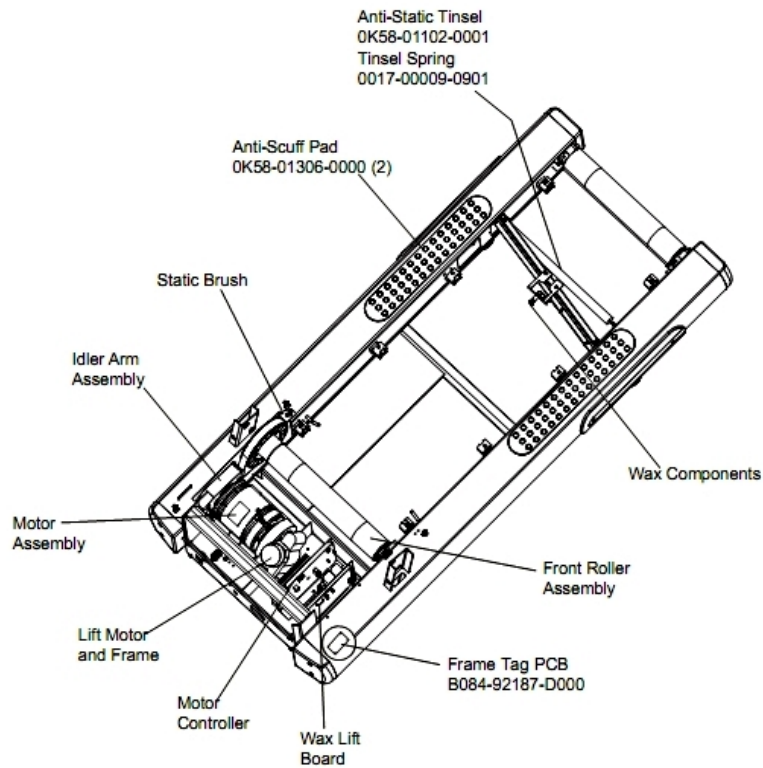
Ref #	Part Number	Qty	Description
-	AK58-00171-0000	1	Motor with Caution Label
-	0017-00101-0975	2	Hardware: Mounting Bolt 0.375"
-	0017-00103-0027	4	Hardware: Locking Nut. 5/16" ID
-	OK58-01255-0000	4	Hardware: Insulating Washers
-	OK58-01256-0001	2	Insulating Pad
-	OK58-01094-0000	1	Sensor Wheel
-	AK58-00090-0002	1	Flywheel Assembly
-	0017-00101-1631	3	Hardware: Sensor Wheel Mounting Screw
-	0017-00104-0409	4	Hardware: Washer 1.125" OD
-	AK58-00073-0001	1	Speed Sensor Assembly

Ergo Bar with Lifepulse



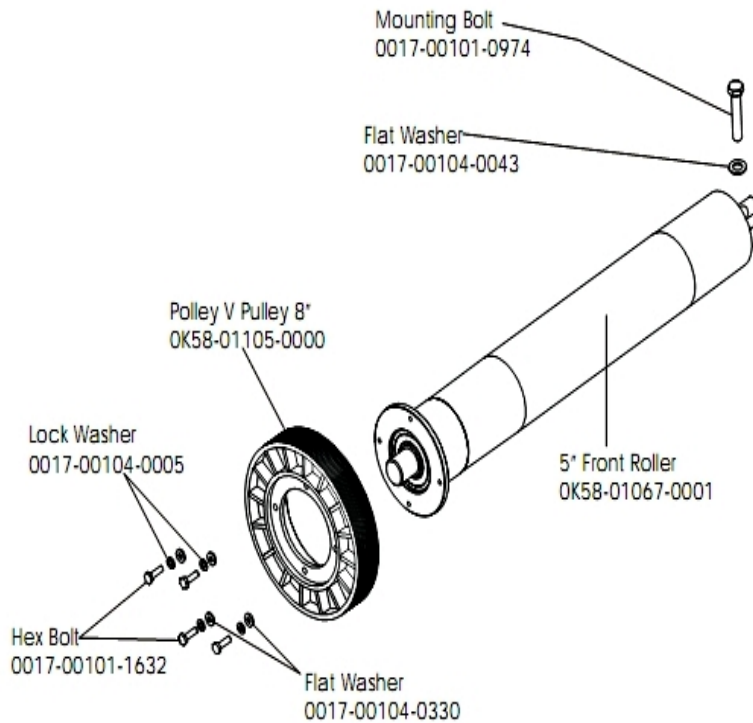
Ref #	Part Number	Qty	Description
-	AK58-00064-0000	1	I/R Lens Cover Assembly
-	0017-00101-0824	2	Hardware: Screw 1.125"
-	OK58-01347-0000	2	ErgoBar Gasket
-	GK20-00002-0005	1	Heart Rate Electrode Kit

Frame Assembly



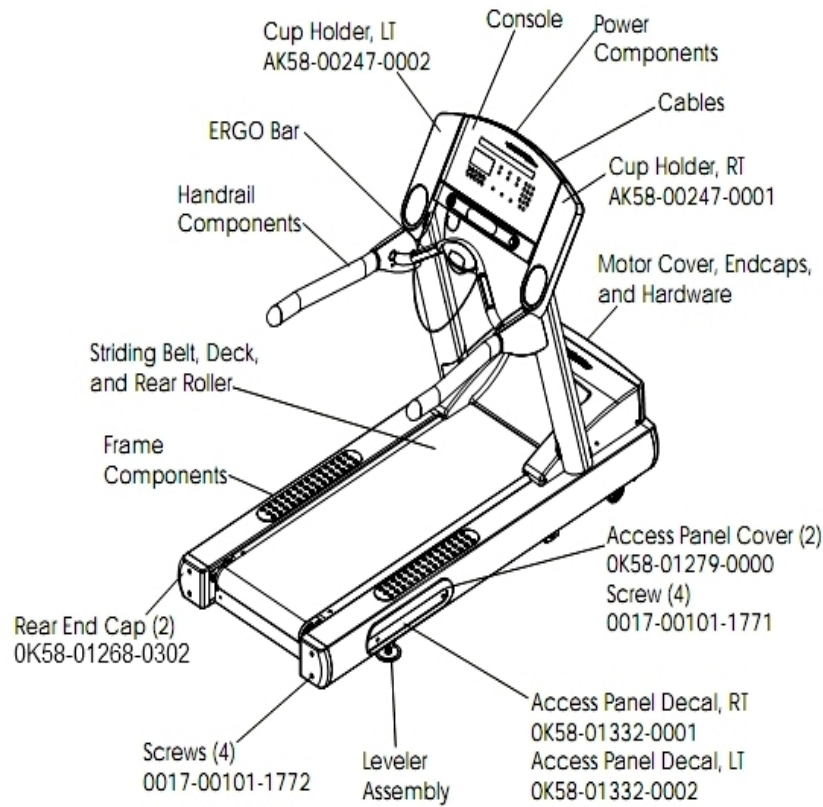
Ref #	Part Number	Qty	Description
-	0K58-01376-0000	2	Anti-Scuff Pad
-	0K58-01102-0001	1	Anti-Static Tinsel
-	0017-00009-0901	1	Tinsel Extension Spring
-	B084-92187-D000	1	Frame Tag PCB

Front Roller Assembly



Ref #	Part Number	Qty	Description
-	0017-00104-0005	4	Hardware: Lock Washer 0.489" OD
-	AK58-00067-0000	1	Front Roller Assembly
-	0017-00101-1632	4	Hardware: Hex Bolt 0.875"
-	0017-00104-0330	4	Hardware: Flat Washers 0.562" OD
-	0017-00104-0043	1	Hardware: Flat Washer 0.734" OD
-	OK58-01067-0001	1	Front Roller - 5"
-	0017-00101-0974	1	Hardware: Mounting Bolt 2"

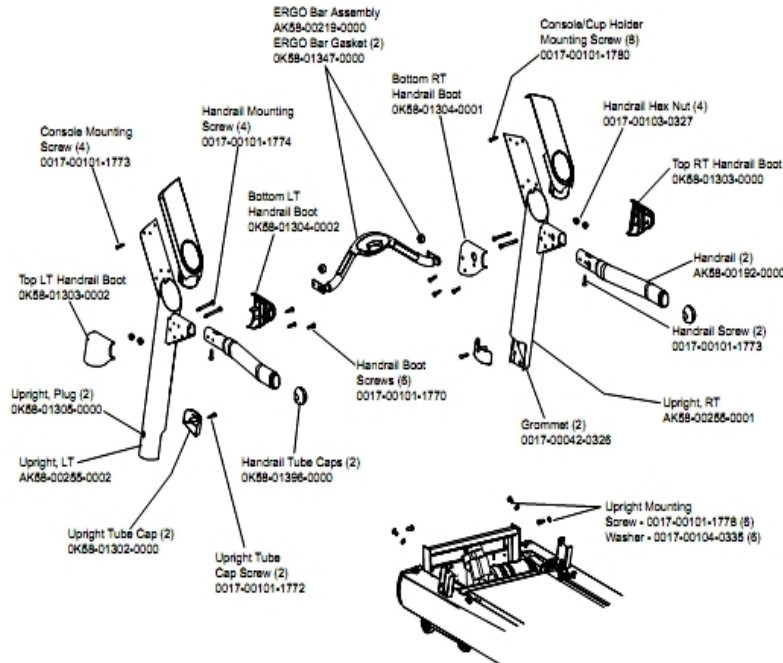
General Assembly



Ref #	Part Number	Qty	Description
-	OK58-01332-0002	1	Access Panel Decal Left
-	OK58-01332-0001	1	Access Panel Decal Right
-	0017-00008-0197	1	Paint: Silver Bullet; 4.5OZ. Can
-	0017-00008-0199	1	Paint: Stealth Grey; 4.5OZ. Can
-	OK58-01268-0302	2	ENDCAP: REAR; STEALTH D
-	OK58-01279-0000	2	Access Panel Cover
-	0017-00008-0198	1	Paint: Stealth Grey; .6OZ. Bottle B
-	0017-00101-1771	4	Hardware: Phillips Pan Screw
-	AK58-00247-0001	1	Cup Holder Right
-	0017-00008-0196	1	Paint: Silver Bullet; .6OZ. Bottle
-	AK58-00247-0002	1	Cup Holder Left
-	0017-00101-1772	4	Hardware: Phillips Pan Screw 0.5"

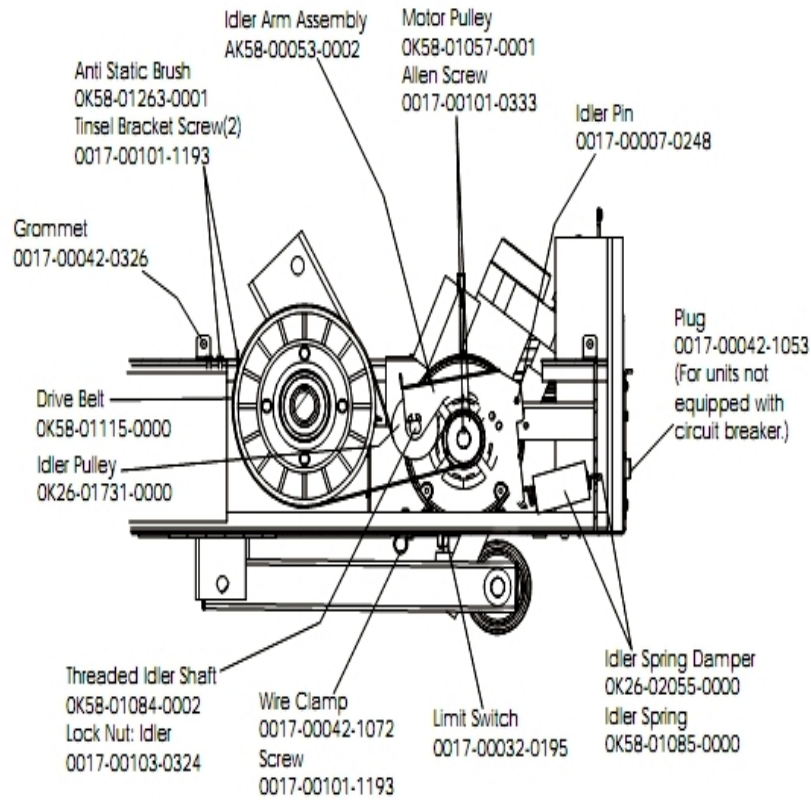
Handrail Assembly

Hardware Bag Assembly AK58-00226-0001



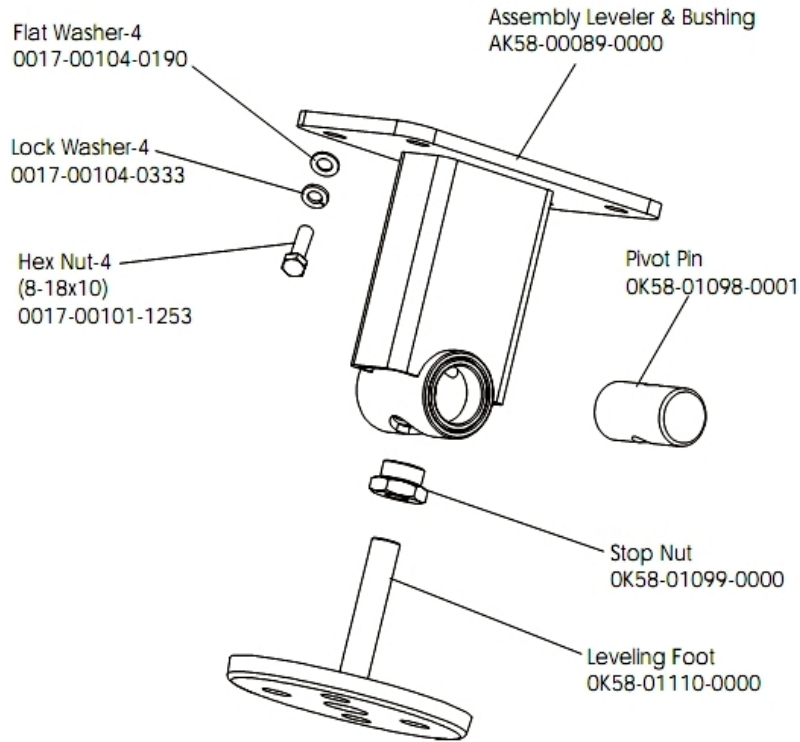
Ref #	Part Number	Qty	Description
-	0017-00101-1773	6	Hardware: TORX Screw 0.5"
-	AK58-00226-0001	1	Hardware Bag
-	0K58-01396-0000	2	Endcap
-	0K58-01303-0002	1	Top Left Handrail Boot
-	0K58-01304-0001	1	Bottom Right Handrail Boot
-	0K58-01304-0002	1	Bottom Left Handrail Boot
-	AK58-00219-0000	1	Ergo Bar with Heart Rate Sensors
-	0017-00101-1772	2	Hardware: Phillips Pan Screw 0.5"
-	0K58-01303-0001	1	Top Right Handrail Boot
-	0K58-01347-0000	2	ErgoBar Gasket
-	0017-00042-0326	2	Hardware: Plastic Grommet
-	0017-00103-0327	4	Hardware: Hex Nut 5/16" ID
-	0K58-01302-0103	2	Cap: Upright Tube; Arctic Silver
-	0K58-01305-0002	2	Upright Plug
-	AK58-00256-0001	2	Handrail
-	AK58-00311-0004	1	Upright: Left
-	0017-00101-1778	6	Hardware: Hex Bolt 1"
-	0017-00101-1774	4	Hardware: TORX Screw 2.5"
-	0017-00101-1780	8	Hardware: Mounting Screws
-	0017-00104-0335	6	Hardware: Handrail Washer
-	AK58-00311-0003	1	Upright: Right
-	0017-00101-1770	6	Hardware: Phillips Pan Screw 0.5"

Idler Arm Assembly



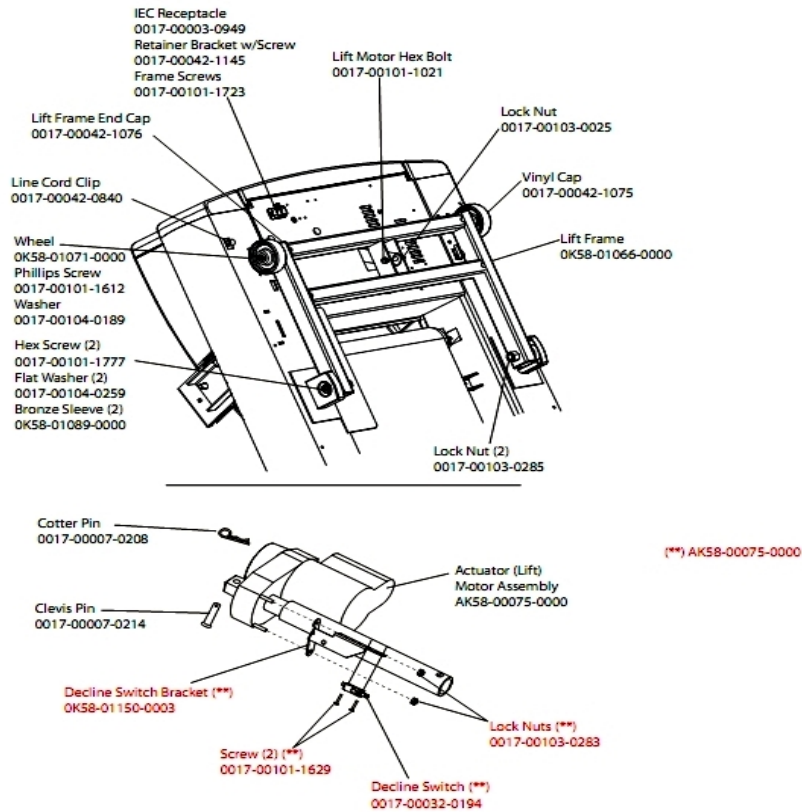
Ref #	Part Number	Qty	Description
-	OK58-01057-0001	1	Drive Pulley - 1.971"
-	AK58-00053-0002	1	Idler Arm Assembly
-	0017-00042-1053	1	Plug (For units not equipped with circuit breaker.)
-	0017-00103-0324	1	Hardware: Thin Lock Nut 3/8" ID
-	OK26-01731-0000	1	Plastic Idler 2 5/8" OD
-	OK26-02055-0000	1	Spring Damper
-	0017-00032-0195	1	Home Switch
-	0017-00042-1072	1	Hardware: Wire Clamp - 5/8"
-	0017-00007-0248	1	Hardware: Locking Pin .31" D 2.125" L
-	0017-00042-0326	1	Hardware: Plastic Grommet
-	0017-00101-1193	3	Hardware: Screw 0.375"
-	OK58-01084-0002	1	Threaded Shaft
-	OK58-01085-0000	1	Extension Spring
-	OK58-01263-0001	1	Tinsel Bracket
-	0017-00101-0333	1	Hardware: Screw 0.3125"
-	GK58-00002-0129	1	KIT: TREADMILL BELT AND PULLEY

Leveler Assembly



Ref #	Part Number	Qty	Description
-	0017-00104-0190	4	Hardware: Flat Washer 0.734" OD
-	AK58-00370-0000	1	Leveler Assembly
-	OK58-01110-0000	1	Leveler Foot
-	0017-00104-0333	4	Hardware: Washer 0.683" OD
-	0017-00101-1253	4	Hardware: Screw
-	OK58-01099-0000	1	Hardware: Stop Nut
-	AK58-00089-0000	1	Bracket Leveler
-	OK58-01098-0001	1	Hardware: Pivot Pin

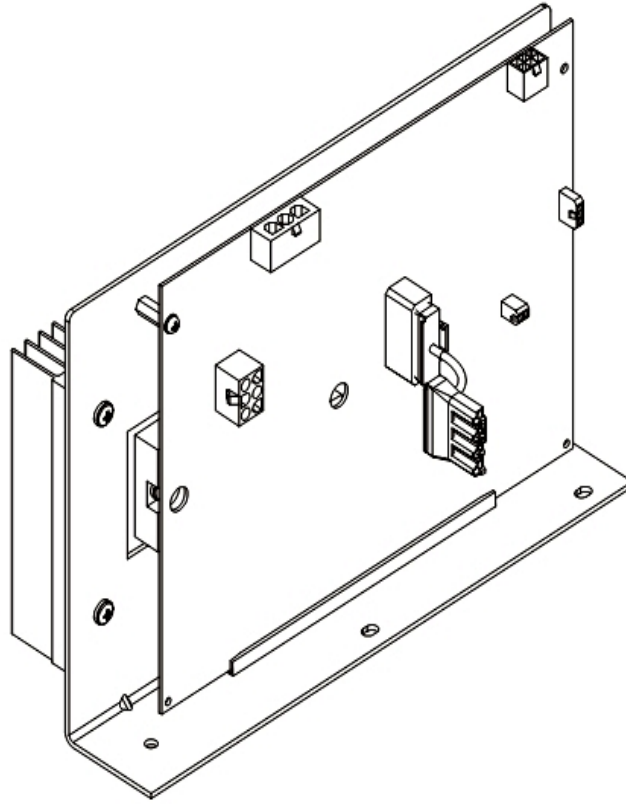
Lift Motor and Frame



Ref #	Part Number	Qty	Description
-	0017-00103-0285	2	Hardware: Nut 5/8" ID
-	0017-00007-0208	2	Hardware: Cotter Pin
-	0017-00101-1621	2	Hardware: Phillips Screw 0.5"
-	0017-00101-1629	2	Hardware: Phillips Pan Screw 0.625"
-	0017-00101-1777	2	Hardware: Lift Frame Mounting Bolt 2.75"
-	0017-00104-0189	2	Hardware: Flat Washer 1" OD
-	0K58-01150-0003	1	Decline Switch Bracket
-	0017-00101-1723	1	Hardware: Phillips Pan Screw 0.375"
-	0017-00003-0949	1	IEC Receptacle
-	0017-00103-0283	1	Hardware: Locking Nut ID
-	0017-00032-0194	1	Mini Switch; SPDT
-	0017-00042-1145	1	Power Cord Retainer
-	0017-00101-1021	1	Hardware: Lift Motor Hex Bolt 2.5"
-	0017-00103-0025	1	Hardware: Locking Nut 3/8" ID
-	0017-00042-1076	4	Lift Frame End Cap
-	AK58-00220-0000	1	LIFT-FRAME ASSY: MFG. C
-	AK58-00075-0000	2	Lift Motor Bracket Assembly
-	0K58-01089-0000	2	Bronze Sleeve Bushings
-	0017-00042-0840	1	Hardware: Push Mount Clip
-	0K58-01071-0000	2	Wheel
-	0017-00042-1075	1	Vinyl Cap
-	0017-00104-0259	2	Hardware: Washer 1.331" OD

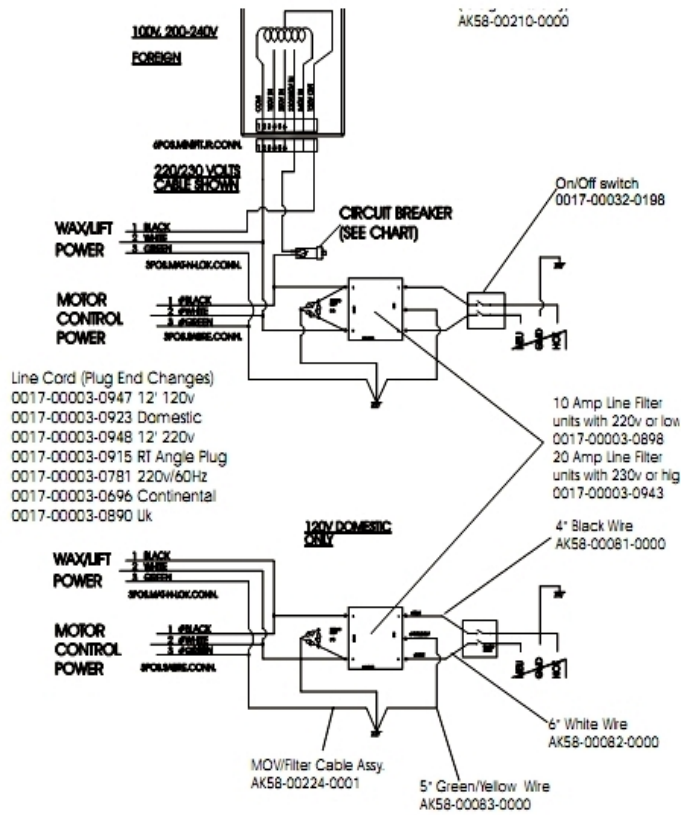
Ref #	Part Number	Qty	Description
-	0017-00007-0214	2	Hardware: Clevis Pin 3/8" D 1.75" L

Motor Controller Assembly



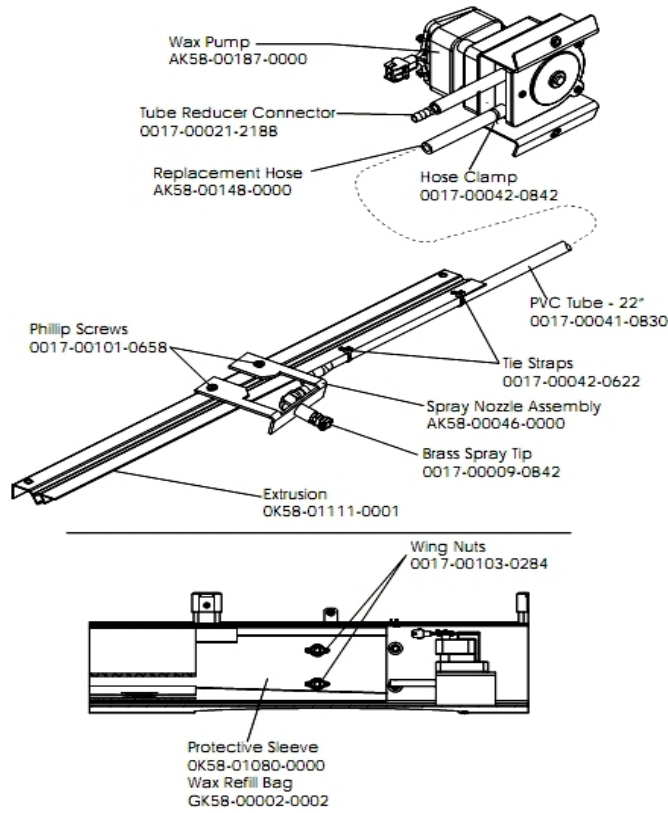
Ref #	Part Number	Qty	Description
-	GK65-00002-0019	1	Motor Controller Assembly (200-240V)
-	AK58-00522-0000	1	Cable: Jumper; Power; LED Console

Power Components



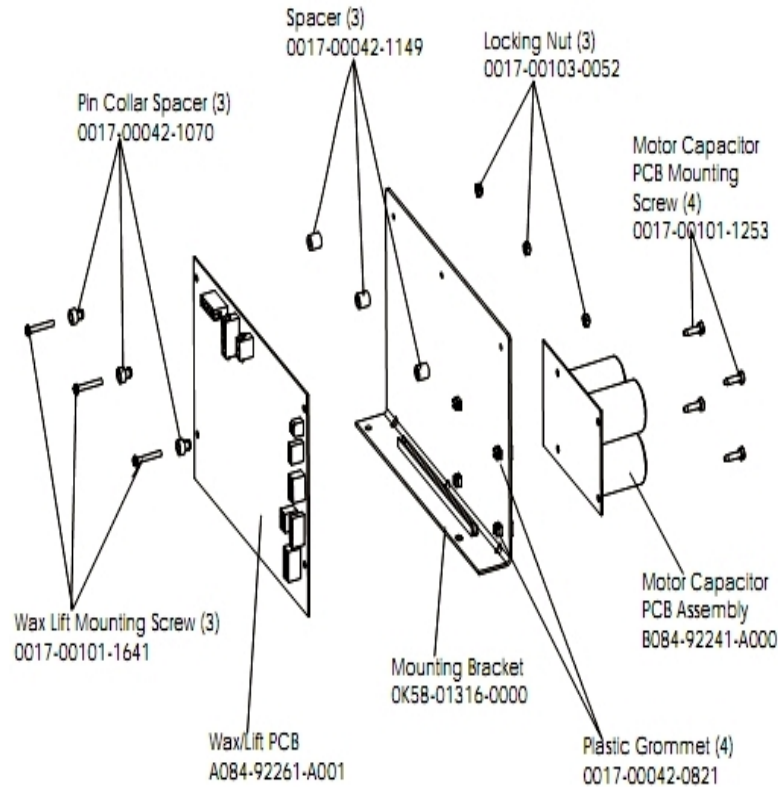
Ref #	Part Number	Qty	Description
-	0017-00003-0943	1	10 Amp Line Filter 230v or higher
-	AK58-00081-0000	1	Jumper Cable Assembly: Black - 4"
-	0017-00003-0696	1	Line Cord: International High Voltage (Cont.) 103"
-	0017-00032-0198	1	On/Off Switch 22A
-	AK58-00083-0000	1	Cable Assembly
-	0017-00003-0626	1	CIRCUIT-BREAKER:2A 200-240V
-	AK58-00224-0001	1	Cable: MOV; Fliter
-	AK58-00082-0000	1	Jumper Cable Assembly: White - 6"
-	AK58-00258-0003	1	Power Cable 220/230v
-	AK58-00210-0000	1	Transformer-Bracket Assembly

Wax Components



Ref #	Part Number	Qty	Description
-	OK58-01111-0001	1	Extrusion Assembly
-	AK58-00046-0000	1	Spray Nozzle Assembly
-	0017-00009-0842	1	Brass Spray Tip
-	0017-00041-0830	1	TUBING: PVC; REINFORCED B
-	AK58-00148-0000	1	Replacement Hose
-	0017-00021-2188	1	Tube Reducer Connector
-	0017-00042-0622	2	Cable Tie
-	0017-00042-0842	1	Hose Clamp
-	0017-00101-0658	1	Hardware: Access Panel Screws
-	0017-00103-0284	2	Hardware: Wing Nut
-	GK58-00002-0002	1	Wax Refill Bag
-	OK58-01080-0000	1	Protective Sleeve
-	AK58-00187-0000	1	Wax Pump

Wax/Lift Assembly



Ref #	Part Number	Qty	Description
-	0017-00101-1253	4	Hardware: Screw
-	0017-00101-1641	3	Hardware: Phillips Pan Screw
-	A084-92261-A001	1	Wax/Lift PCB
-	0017-00042-0821	4	Hardware: Plastic Grommet
-	0017-00042-1070	3	Pin Collar Spacer
-	0017-00042-1149	3	Spacer
-	0K58-01316-0000	1	Mounting Bracket
-	0017-00103-0052	3	Hardware: Locking Nut ID
-	B084-92241-A000	1	Motor Capacitor PCB Assembly

