

97Ti Treadmill - 4HP AC - Lifepulse - Decline - Arctric Silver

97T-0101-03

Parts Manual

1/5/2019 11:43:31 AM

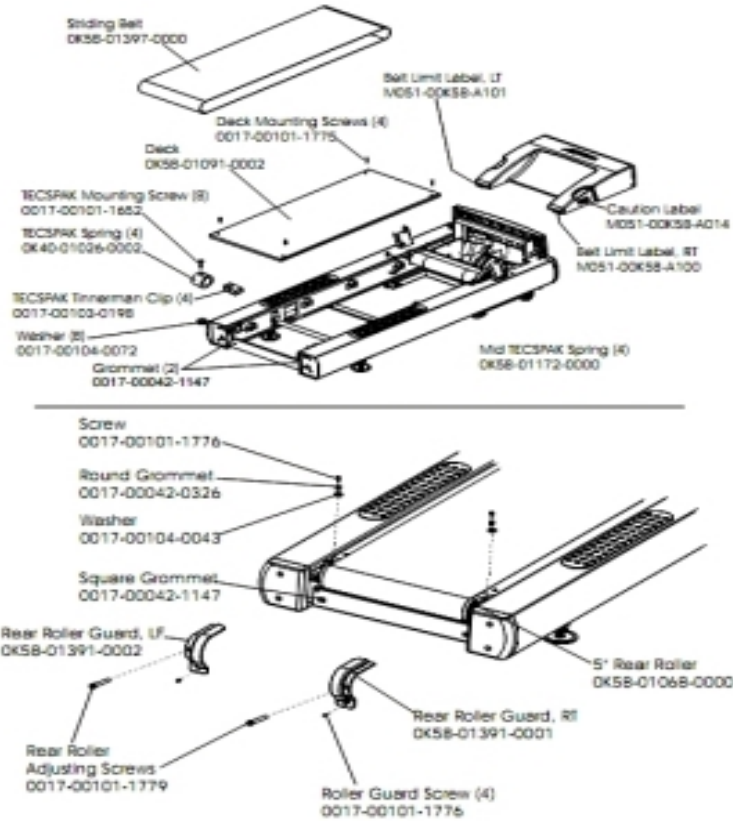


LifeFitness
WHAT WE LIVE FOR

Table of Contents

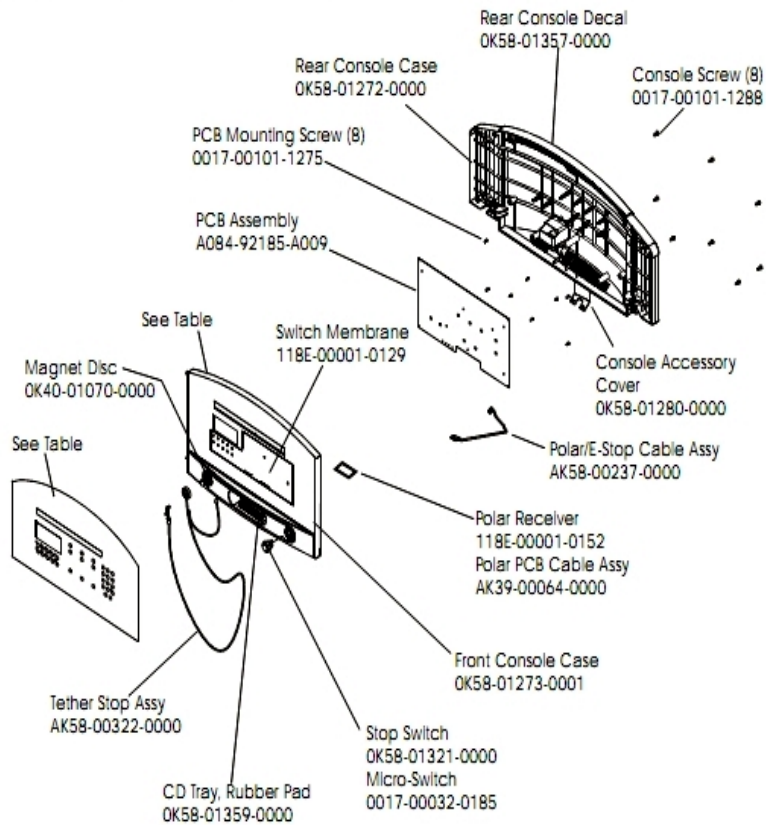
Belt, Deck and Rear Rollers.....	3
Console and Related Components.....	4
Drive Motor Assembly.....	5
Ergo Bar with Lifepulse.....	6
Front Roller Assembly.....	7
Idler Arm and Static Brush.....	8
Leveler Assembly.....	9
Lift Frame and Lift Motor.....	10
Miscellaneous.....	12
Motor Controller Assembly.....	13
Motor Cover, Front Cover and Front End Caps.....	14
Power Components.....	15
Rear End Caps and Cup Holders.....	16
Scuff Pad, Tinsel and Frame Tag Board.....	17
Uprights, Handrails and Ergo Bar.....	18
Wax/Lift Assembly.....	20

Belt, Deck and Rear Rollers



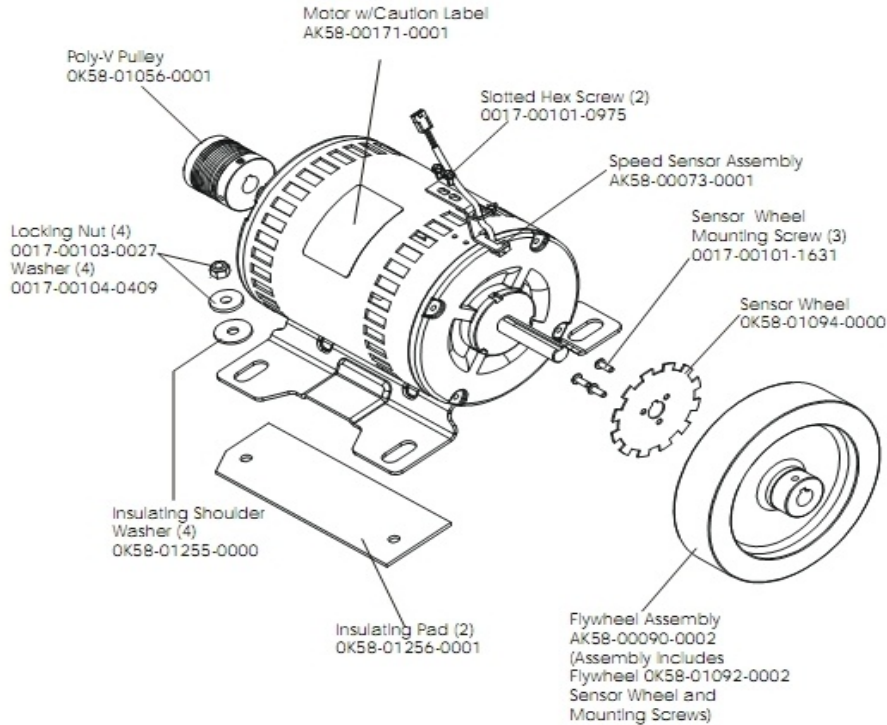
Ref #	Part Number	Qty	Description
-	0017-00103-0198	4	Hardware: Tinnerman Clip 1/4" ID
-	M051-00K58-A101	1	Belt Limit Label. Left
-	0K58-01397-0000	1	Striding Belt
-	0017-00104-0072	8	Hardware: Flat Washer 0.562" OD
-	M051-00K58-A100	1	Label: Belt Limit: Right
-	0017-00101-1779	2	Hardware: Rear Roller Adjusting Bolt
-	0K58-01172-0000	4	TECSPAK Spring
-	0017-00104-0043	2	Hardware: Flat Washer 0.734" OD
-	0017-00042-0326	2	Hardware: Plastic Grommet
-	0017-00042-1147	4	Hardware: Nylon Grommet
-	0017-00101-1652	8	Hardware: Spring Mounting Screw 1"
-	0K58-01068-0000	1	Rear Roller - 5"
-	M051-00K58-A014	1	Label: Caution
-	0K58-01391-0001	1	Rear Roller Guard Right
-	0K58-01391-0002	1	Rear Roller Guard Left
-	0017-00101-1776	6	Hardware: Mounting Screw 0.5"
-	0K40-01026-0002	4	Deck Spring

Console and Related Components



Ref #	Part Number	Qty	Description
-	OK58-01321-0000	1	Stop Switch
-	OK58-01357-0000	1	Decal
-	AK58-00202-0001	1	Overlay Switch Bezel Assembly - English/European
-	OK58-01273-0001	1	Front Console Case
-	OK58-01296-0001	1	Overlay - English / Metric
-	118E-00001-0244	1	Heart Rate Receiver
-	AK58-00237-0000	1	Cable-Assembly: Polar/E-Stop
-	AK58-00390-0001	1	Console: English/Metric
-	OK58-01359-0000	1	Rubber Pad
-	OK40-01070-0000	1	Magnetic Disk
-	118E-00001-0259	1	Wireless Receiver Module, Non-Coded
-	0017-00103-0327	4	Hardware: Hex Nut 5/16" ID
-	0017-00032-0185	1	Micro Switch 150GR
-	OK58-01280-0000	1	Accessory Cover
-	OK58-01272-0000	1	Rear Console Case
-	A084-92185-A009	1	PCB Assembly
-	AK58-00322-0000	1	Tether Stop Assembly
-	0017-00101-1275	8	Hardware: Phillips Screw 0.375"
-	0017-00101-1288	8	Hardware: Phillips Screw 0.5"
-	118E-00001-0129	1	Switch Membrane

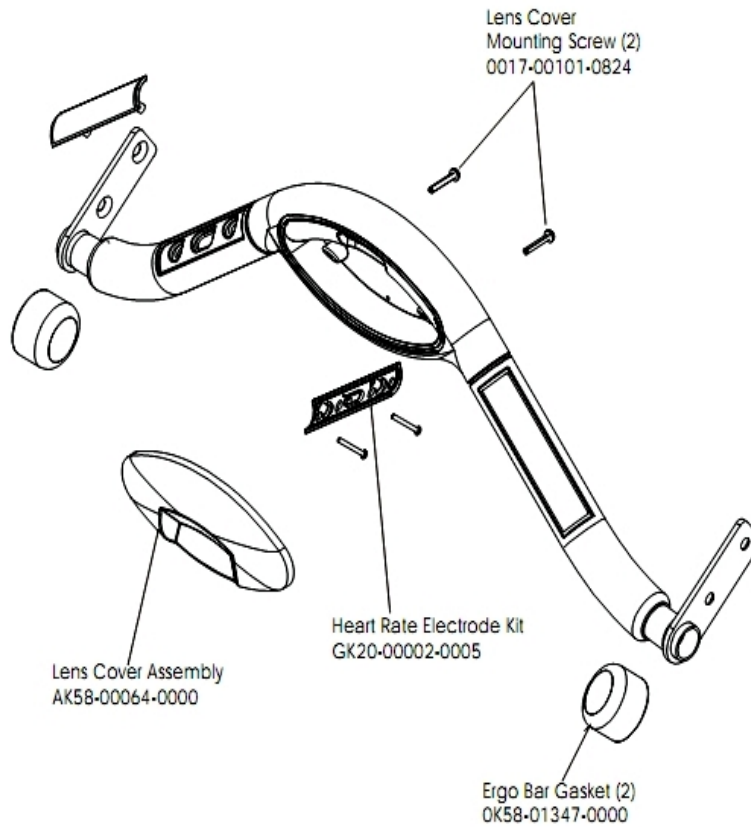
Drive Motor Assembly



Drive Motor Assembly Number	Motor Serial Number
AK58-00172-0000	ATV100000 – ATV100368
AK58-00172-0002	ATV100369 and up

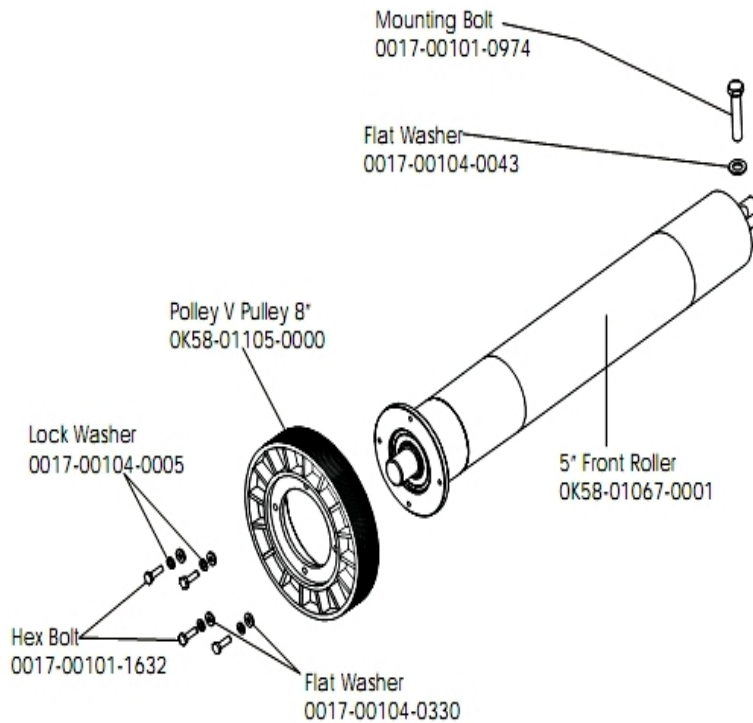
Ref #	Part Number	Qty	Description
-	AK58-00171-0001	2	Drive Motor Assembly
-	AK58-00171-0000	1	Motor with Caution Label
-	0017-00101-0975	2	Hardware: Mounting Bolt 0.375"
-	0017-00103-0027	4	Hardware: Locking Nut. 5/16" ID
-	OK58-01255-0000	4	Hardware: Insulating Washers
-	OK58-01256-0001	2	Insulating Pad
-	OK58-01094-0000	1	Sensor Wheel
-	AK58-00090-0002	1	Flywheel Assembly
-	0017-00101-1631	3	Hardware: Sensor Wheel Mounting Screw
-	0017-00104-0409	4	Hardware: Washer 1.125" OD
-	AK58-00073-0001	1	Speed Sensor Assembly

Ergo Bar with Lifepulse



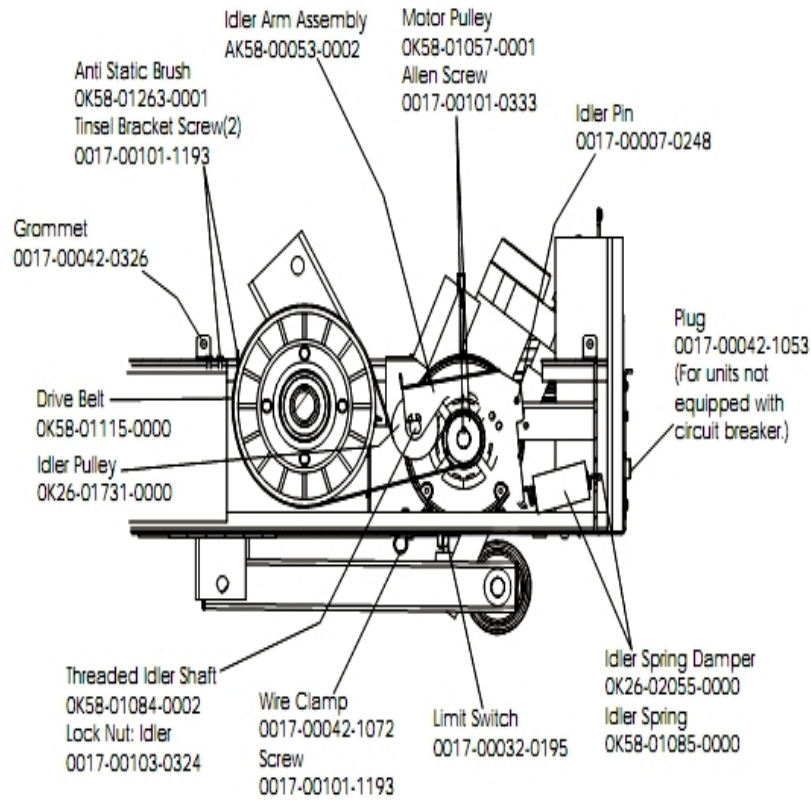
Ref #	Part Number	Qty	Description
-	AK58-00064-0000	1	I/R Lens Cover Assembly
-	0017-00101-0824	2	Hardware: Screw 1.125"
-	OK58-01347-0000	2	ErgoBar Gasket
-	GK20-00002-0005	1	Heart Rate Electrode Kit

Front Roller Assembly



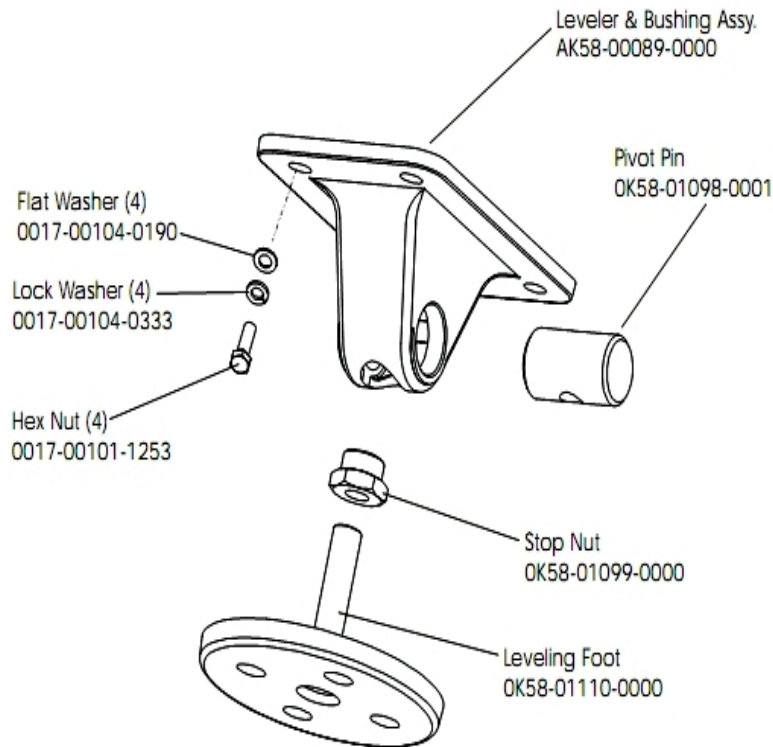
Ref #	Part Number	Qty	Description
-	0017-00101-0974	1	Hardware: Mounting Bolt 2"
-	0017-00104-0043	1	Hardware: Flat Washer 0.734" OD
-	0017-00104-0005	4	Hardware: Lock Washer 0.489" OD
-	AK58-00067-0000	1	Front Roller Assembly
-	OK58-01105-0000	1	Drive Pulley Poly V - 8"
-	0017-00104-0330	4	Hardware: Flat Washers 0.562" OD
-	OK58-01067-0001	1	Front Roller - 5"
-	0017-00101-1632	4	Hardware: Hex Bolt 0.875"

Idler Arm and Static Brush



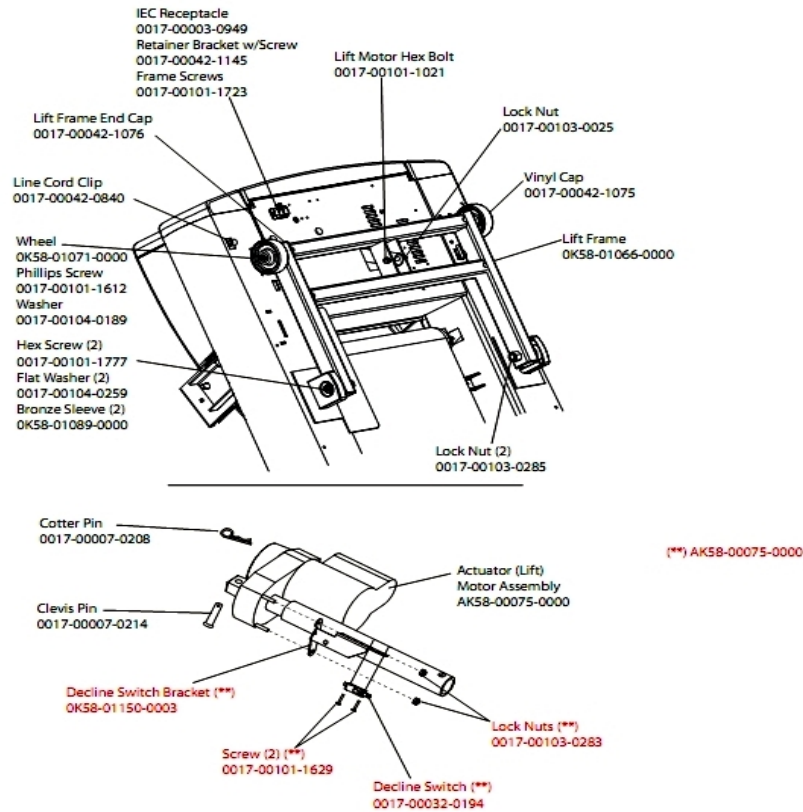
Ref #	Part Number	Qty	Description
-	OK58-01057-0001	1	Drive Pulley - 1.971"
-	0017-00101-0333	1	Hardware: Screw 0.3125"
-	0017-00042-1053	1	Plug (For units not equipped with circuit breaker.)
-	0017-00103-0324	1	Hardware: Thin Lock Nut 3/8" ID
-	OK26-01731-0000	1	Plastic Idler 2 5/8" OD
-	OK26-02055-0000	1	Spring Damper
-	0017-00032-0195	1	Home Switch
-	0017-00042-1072	1	Hardware: Wire Clamp - 5/8"
-	0017-00007-0248	1	Hardware: Locking Pin .31" D 2.125" L
-	0017-00042-0326	1	Hardware: Plastic Grommet
-	0017-00101-1193	3	Hardware: Screw 0.375"
-	OK58-01084-0002	1	Threaded Shaft
-	OK58-01085-0000	1	Extension Spring
-	OK58-01263-0001	1	Tinsel Bracket
-	GK58-00002-0129	1	KIT: TREADMILL BELT AND PULLEY

Leveler Assembly



Ref #	Part Number	Qty	Description
-	OK58-01098-0001	1	Hardware: Pivot Pin
-	OK58-01099-0000	1	Hardware: Stop Nut
-	0017-00101-1253	4	Hardware: Screw
-	0017-00104-0333	4	Hardware: Washer 0.683" OD
-	AK58-00089-0000	1	Bracket Leveler
-	AK58-00464-0000	1	Leveler Assembly
-	OK58-01110-0000	1	Leveler Foot
-	0017-00104-0190	4	Hardware: Flat Washer 0.734" OD

Lift Frame and Lift Motor



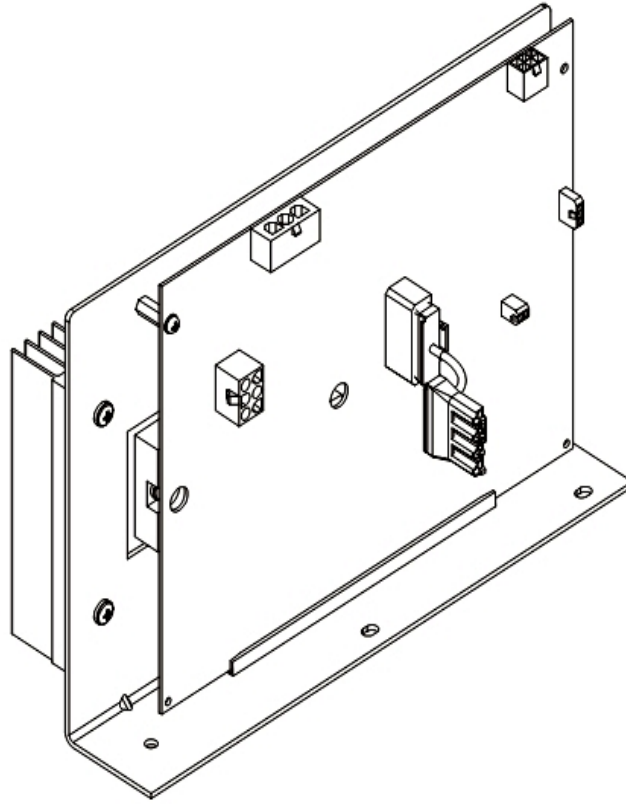
Ref #	Part Number	Qty	Description
-	0017-00042-1076	4	Lift Frame End Cap
-	0017-00103-0285	2	Hardware: Nut 5/8" ID
-	0017-00007-0208	2	Hardware: Cotter Pin
-	0017-00101-1629	2	Hardware: Phillips Pan Screw 0.625"
-	0017-00101-1777	2	Hardware: Lift Frame Mounting Bolt 2.75"
-	0017-00104-0189	2	Hardware: Flat Washer 1" OD
-	0K58-01150-0003	1	Decline Switch Bracket
-	0017-00101-1723	1	Hardware: Phillips Pan Screw 0.375"
-	0017-00003-0949	1	IEC Receptacle
-	0017-00103-0283	1	Hardware: Locking Nut ID
-	0017-00032-0194	1	Mini Switch; SPDT
-	0017-00101-1021	1	Hardware: Lift Motor Hex Bolt 2.5"
-	0017-00042-1145	1	Power Cord Retainer
-	0017-00103-0025	1	Hardware: Locking Nut 3/8" ID
-	AK58-00220-0000	1	LIFT-FRAME ASSY: MFG. C
-	AK58-00075-0000	2	Lift Motor Bracket Assembly
-	0K58-01089-0000	2	Bronze Sleeve Bushings
-	0017-00042-0840	1	Hardware: Push Mount Clip
-	0K58-01071-0000	2	Wheel
-	0017-00101-1612	1	Hardware: Phillips Screw 0.5"
-	0017-00104-0259	2	Hardware: Washer 1.331" OD
-	0017-00007-0214	2	Hardware: Clevis Pin 3/8" D 1.75" L

Ref #	Part Number	Qty	Description
-	0017-00042-1075	1	Vinyl Cap

Miscellaneous

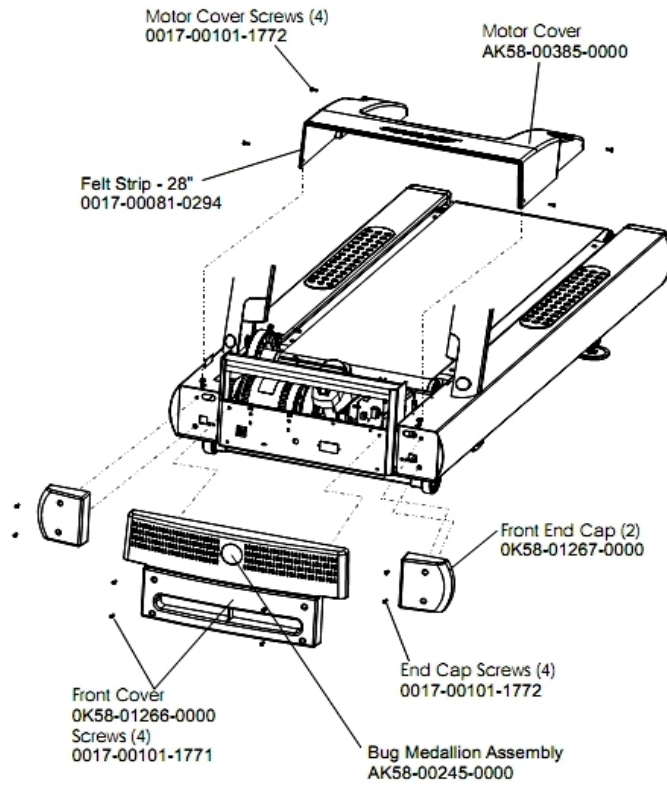
Ref #	Part Number	Qty	Description
-	0017-00008-0205	1	5 oz Bottle - Arctic Silver
-	0017-00008-0206	1	.33oz Pen - Arctic Silver
-	0017-00008-0204	1	Paint Spray Can - Arctic Silver
-	AK58-00226-0000	1	Hardware Bag

Motor Controller Assembly



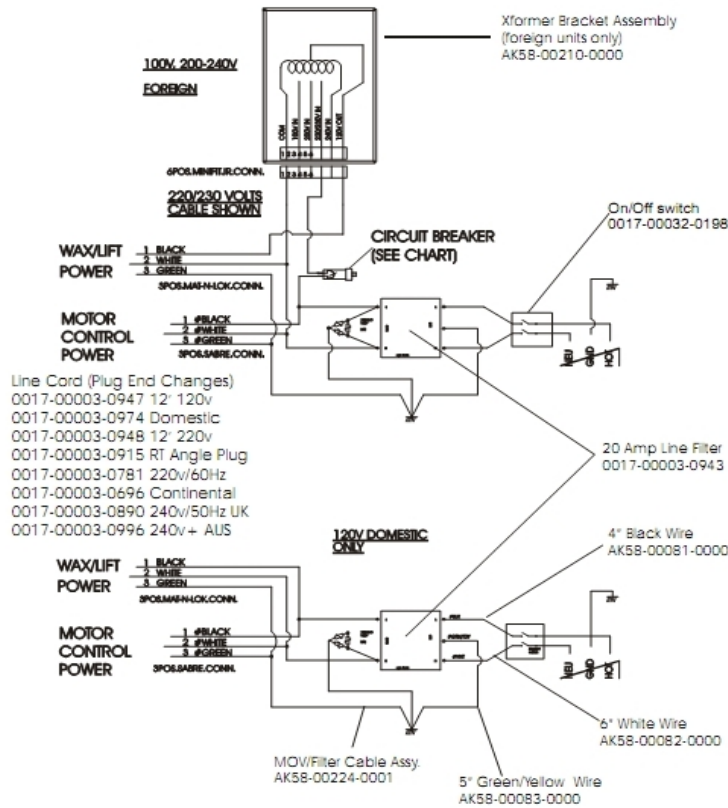
Ref #	Part Number	Qty	Description
-	AK58-00522-0000	1	Cable: Jumper; Power; LED Console
-	GK65-00002-0019	1	Motor Controller Assembly (200-240V)

Motor Cover, Front Cover and Front End Caps



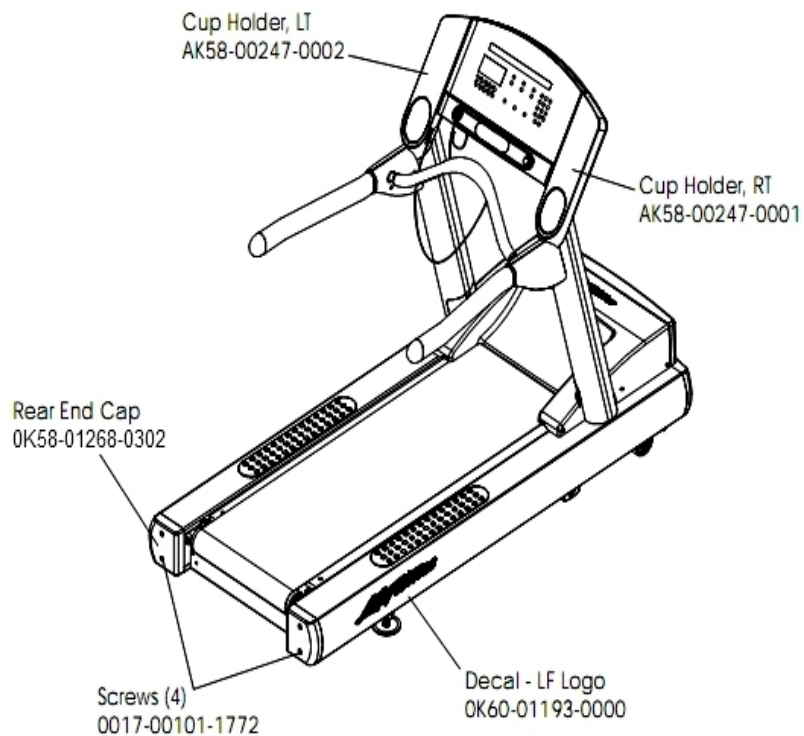
Ref #	Part Number	Qty	Description
-	0017-00101-1775	4	Hardware: Deck Screws 1.25"
-	0K65-01263-0000	1	Deck
-	0017-00081-0294	1	Felt Strip - 28"
-	0K58-01266-0000	1	Front Cover
-	AK58-00385-0000	1	Motor Cover
-	0017-00101-1771	4	Hardware: Phillips Pan Screw
-	AK58-00245-0000	1	Bug Medallion
-	0017-00101-1772	4	Hardware: Phillips Pan Screw 0.5"

Power Components



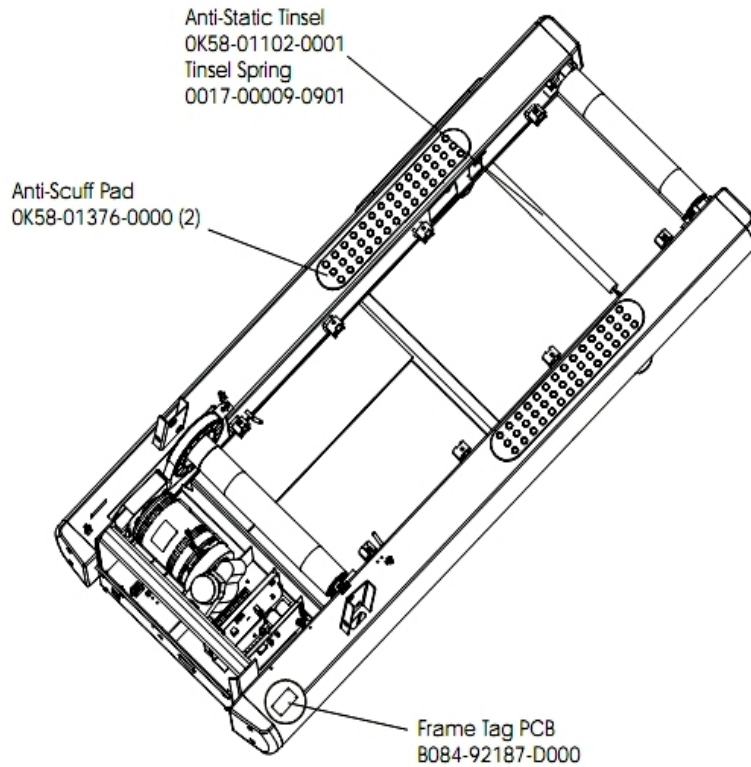
Ref #	Part Number	Qty	Description
-	AK58-00083-0000	1	Cable Assembly
-	0017-00003-0696	1	Line Cord: International High Voltage (Cont.) 103"
-	AK58-00081-0000	1	Jumper Cable Assembly: Black - 4"
-	0017-00003-0948	1	12' 220v Line Cord
-	AK58-00224-0001	1	Cable: MOV; Fliter
-	0017-00003-0943	1	10 Amp Line Filter 230v or higher
-	AK58-00082-0000	1	Jumper Cable Assembly: White - 6"
-	0017-00003-0915	1	Line Cord RT Angle Plug

Rear End Caps and Cup Holders



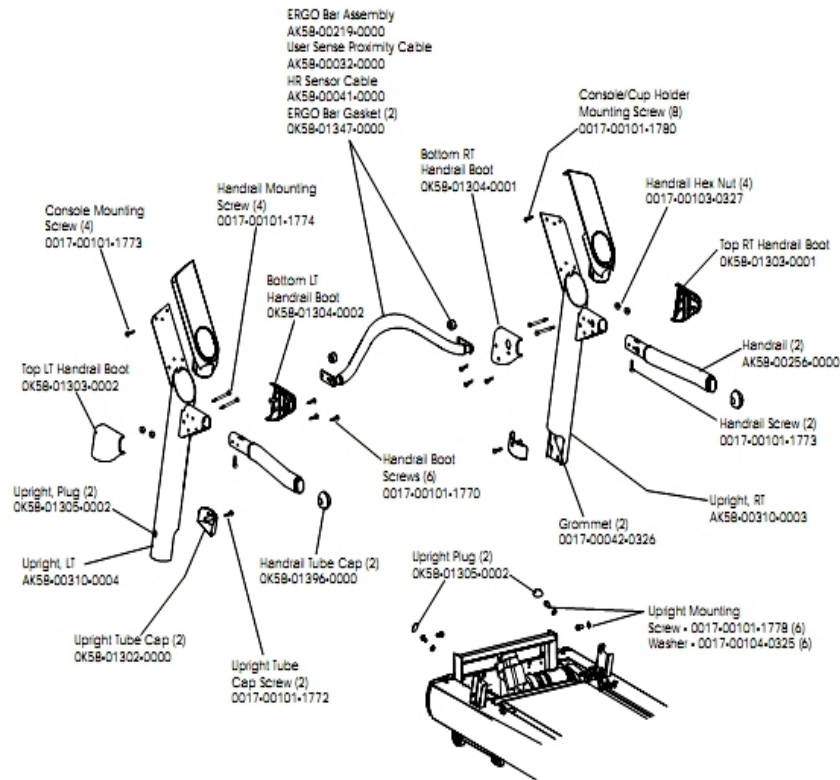
Ref #	Part Number	Qty	Description
-	OK60-01193-0000	1	Decal: LF Logo
-	AK58-00247-0001	1	Cup Holder Right
-	OK58-01268-0302	1	ENDCAP: REAR; STEALTH D
-	0017-00101-1772	4	Hardware: Phillips Pan Screw 0.5"
-	AK58-00247-0002	1	Cup Holder Left

Scuff Pad, Tinsel and Frame Tag Board



Ref #	Part Number	Qty	Description
-	OK58-01376-0000	2	Anti-Scuff Pad
-	B084-92187-D000	1	Frame Tag PCB
-	0017-00009-0901	1	Tinsel Extension Spring
-	OK58-01102-0001	1	Anti-Static Tinsel

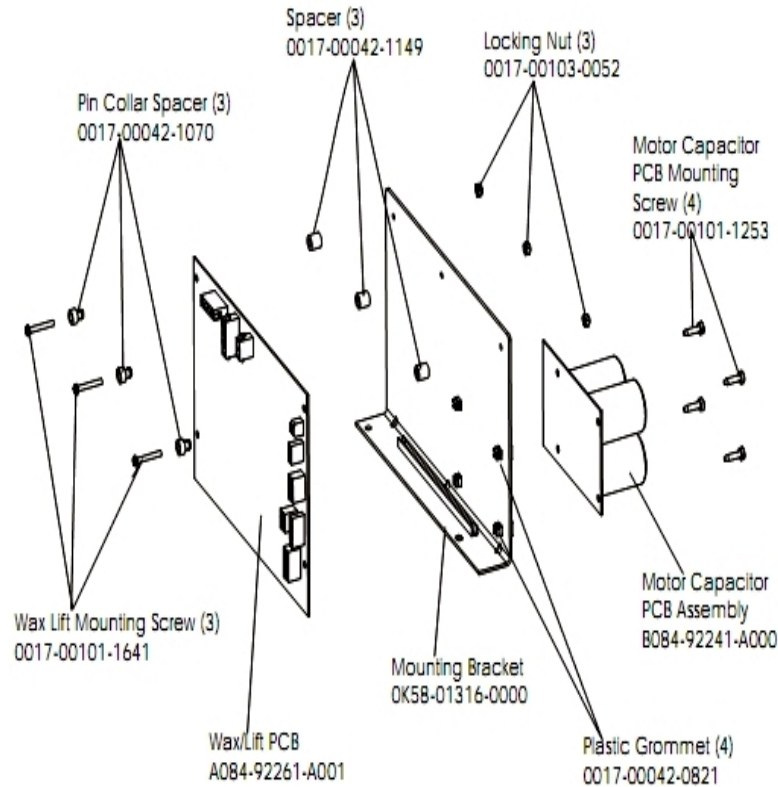
Uprights, Handrails and Ergo Bar



Ref #	Part Number	Qty	Description
-	AK58-00311-0004	1	Upright: Left
-	AK58-00256-0001	2	Handrail
-	AK58-00032-0000	1	User Proximity Sensor Cable
-	OK58-01305-0002	4	Upright Plug
-	OK58-01302-0103	2	Cap: Upright Tube; Arctic Silver
-	0017-00042-0326	2	Hardware: Plastic Grommet
-	OK58-01347-0000	2	ErgoBar Gasket
-	OK58-01303-0001	1	Top Right Handrail Boot
-	AK58-00041-0000	1	Heartrate Sensor Cable
-	0017-00101-1780	8	Hardware: Mounting Screws
-	0017-00101-1772	6	Hardware: Phillips Pan Screw 0.5"
-	AK58-00219-0000	1	Ergo Bar with Heart Rate Sensors
-	OK58-01304-0002	1	Bottom Left Handrail Boot
-	OK58-01304-0001	1	Bottom Right Handrail Boot
-	OK58-01303-0002	1	Top Left Handrail Boot
-	OK58-01396-0000	2	Endcap
-	0017-00101-1770	6	Hardware: Phillips Pan Screw 0.5"
-	0017-00101-1773	6	Hardware: TORX Screw 0.5"
-	0017-00101-1774	4	Hardware: TORX Screw 2.5"
-	0017-00104-0325	6	Hardware: Washer 0.873" OD
-	OK58-01267-0000	2	End Cap
-	AK58-00310-0003	1	Upright: Right

Ref #	Part Number	Qty	Description
-	0017-00101-1778	6	Hardware: Hex Bolt 1"

Wax/Lift Assembly



Ref #	Part Number	Qty	Description
-	0017-00101-1641	3	Hardware: Phillips Pan Screw
-	B084-92241-A000	1	Motor Capacitor PCB Assembly
-	0017-00101-1253	4	Hardware: Screw
-	A084-92261-A001	1	Wax/Lift PCB
-	OK58-01316-0000	1	Mounting Bracket
-	0017-00042-1070	3	Pin Collar Spacer
-	0017-00042-0821	4	Hardware: Plastic Grommet
-	AK58-00243-0000	1	Wax/Lift Assembly
-	0017-00042-1149	3	Spacer
-	0017-00103-0052	3	Hardware: Locking Nut ID

