

97TI Treadmill - English/Metric 230/50 CON

97T-0101-08

Parts Manual

1/5/2019 11:43:31 AM

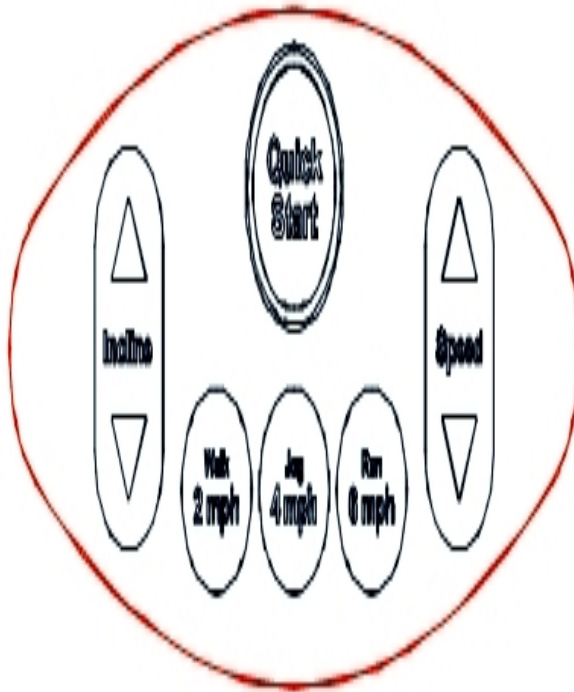


LifeFitness
WHAT WE LIVE FOR

Table of Contents

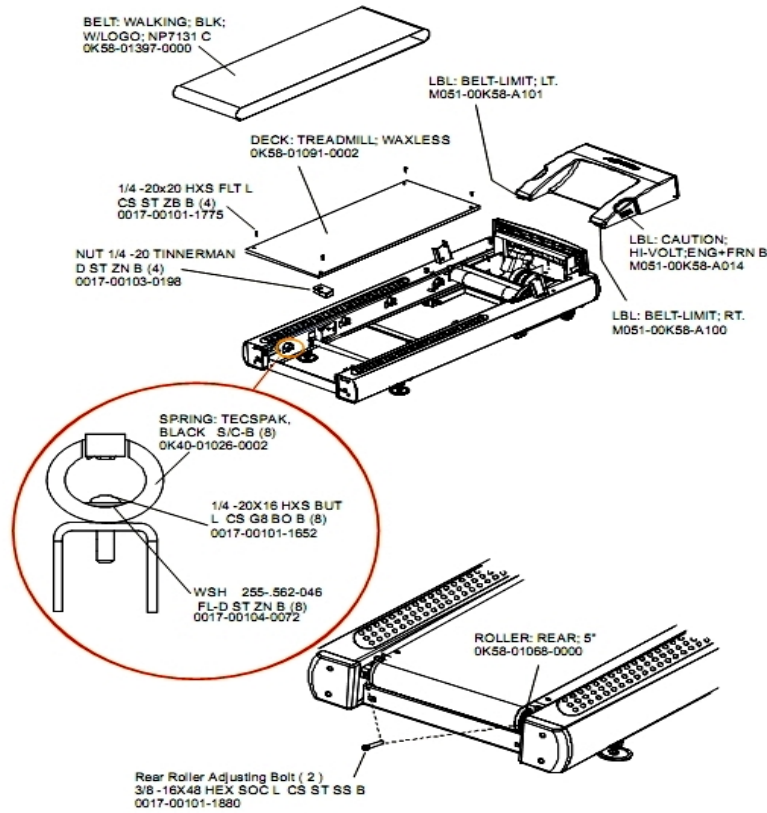
A-Z Module with Overlay Assembly	3
Belt, Deck and Rear Rollers	4
Cables	5
Console Components	6
Console, Overlay Assembly and Overlay	7
Drive Motor Assembly	8
Ergo Bar, Heart Rate Sensors and Activity Zone	9
Front Roller Assembly	10
Idler Arm Assembly	11
Leg Leveler Assembly	12
Lift Frame and Receptacle Assembly	13
Lift Motor Assembly	14
Miscellaneous	15
Motor Cover, Front Cover and Front End Caps	17
On/Off Switch, Access Plate and Grommets	18
Optional Line Cords	19
Rear End Caps and Cup Holders	20
Scuff Pad and Tinsel	21
Stride Sensor and Stride Sensor PCB Assembly	22
Uprights and Handrails	23

A-Z Module with Overlay Assembly



Ref #	Part Number	Qty	Description
-	AK58-00555-0002	1	Activity Zone Assembly: English/Metric
-	0K58-01459-0002	1	Activity Zone Overlay English/Metric

Belt, Deck and Rear Rollers

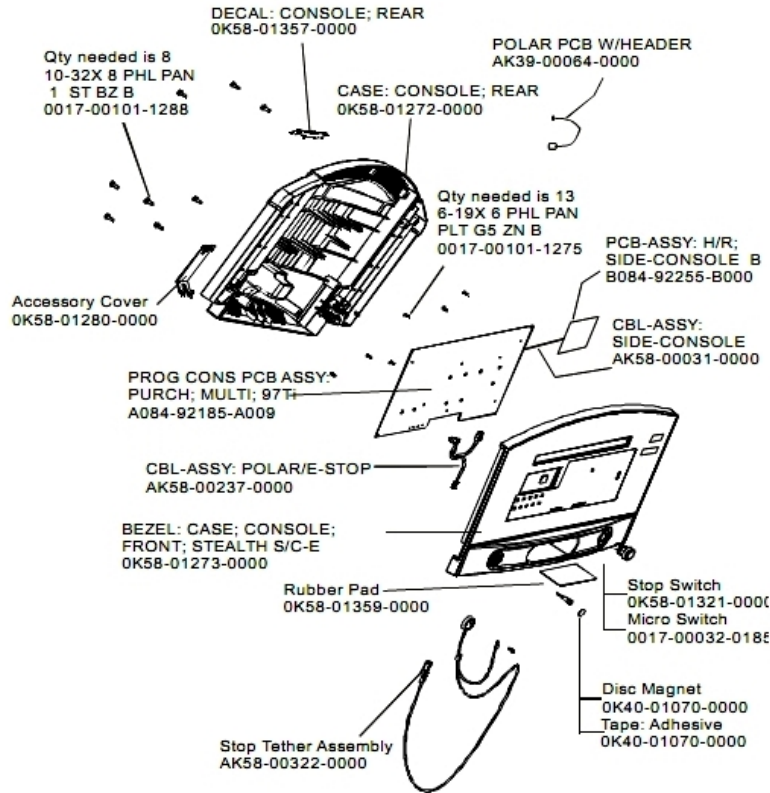


Ref #	Part Number	Qty	Description
-	0017-00103-0198	4	Hardware: Tinnerman Clip 1/4" ID
-	0017-00101-1775	4	Hardware: Deck Screws 1.25"
-	OK40-01026-0002	8	Deck Spring
-	OK65-01263-0000	1	Deck
-	0017-00104-0072	8	Hardware: Flat Washer 0.562" OD
-	M051-00K58-A101	1	Belt Limit Label. Left
-	0017-00101-1652	8	Hardware: Spring Mounting Screw 1"
-	0017-00101-1880	2	Hardware: Tension Bolts 3"
-	OK58-01068-0000	1	Rear Roller - 5"
-	M051-00K58-A014	1	Label: Caution
-	M051-00K58-A100	1	Label: Belt Limit: Right

Cables

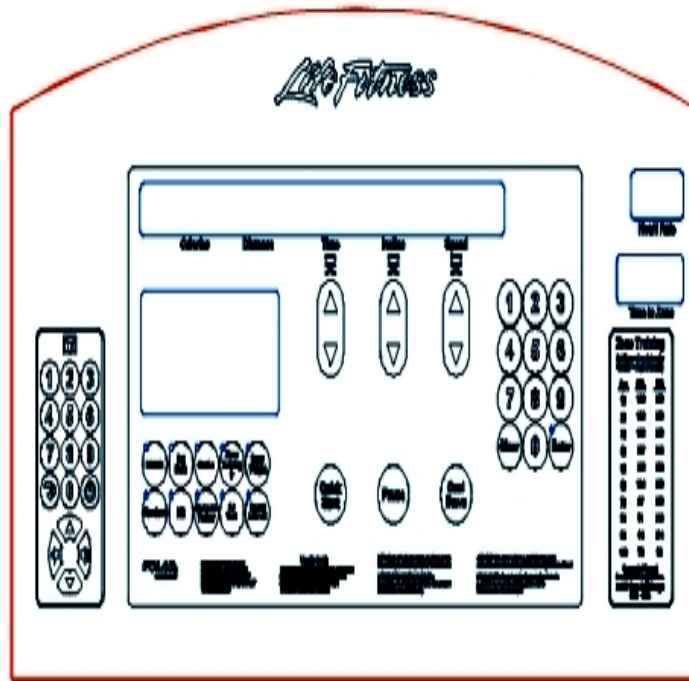
Ref #	Part Number	Qty	Description
-	AK60-00009-0001	1	Negative Switch Cable Assembly
-	0017-00003-1015	1	20 amp Line Filter (DOM)
-	AK58-00522-0000	1	Cable: Jumper; Power; LED Console
-	AK58-00520-0000	1	Power Cable Assembly: 100-120V
-	AK58-00082-0000	1	Jumper Cable Assembly: White - 6"
-	AK58-00237-0000	1	Cable-Assembly: Polar/E-Stop
-	AK58-00041-0001	1	Heart Rate Sensor Cable
-	AK58-00224-0001	1	Cable: MOV; Fliter
-	AK58-00083-0001	1	Jumper Cable Assembly: Green/Yellow - 7"
-	AK58-00036-0000	1	Cable-Assembly: Emergency-Stop Switch
-	AK58-00034-0001	1	Console Power Cable
-	AK58-00598-0000	1	Cable: ISO Power
-	AK58-00032-0000	1	User Proximity Sensor Cable
-	AK58-00597-0000	1	Cable Extension ISO Sensor
-	AK58-00083-0000	1	Cable Assembly
-	AK32-00020-0002	1	Coax Cable: 120"
-	AK58-00263-0000	1	Hi-Pot Jumper Cable
-	AK58-00081-0000	1	Jumper Cable Assembly: Black - 4"
-	AK58-00027-0000	1	Limit Switch Cable
-	AK32-00078-0001	1	Power Extension Cable: 120"
-	AK58-00031-0000	1	Side Console Cable Assembly
-	AK58-00524-0000	1	Cable: Thermal Adapter

Console Components



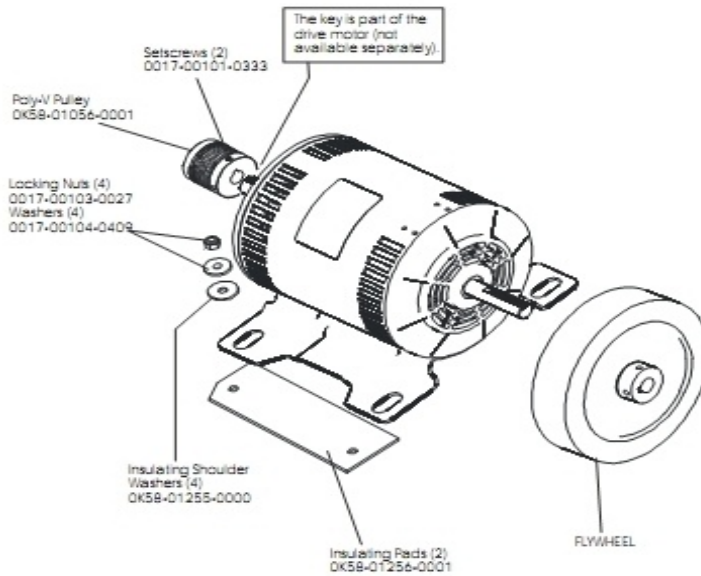
Ref #	Part Number	Qty	Description
-	B084-92255-B000	1	PCB Assembly
-	AK58-00322-0000	1	Tether Stop Assembly
-	A084-92185-A009	1	PCB Assembly
-	OK58-01272-0000	1	Rear Console Case
-	OK58-01280-0000	1	Accessory Cover
-	0017-00032-0185	1	Micro Switch 150GR
-	OK58-01357-0000	1	Decal
-	OK40-01070-0000	2	Magnetic Disk
-	OK58-01359-0000	1	Rubber Pad
-	OK58-01273-0000	1	Front Console Case
-	AK58-00237-0000	1	Cable-Assembly: Polar/E-Stop
-	AK58-00031-0000	1	Side Console Cable Assembly
-	OK58-01321-0000	1	Stop Switch
-	118E-00001-0259	1	Wireless Receiver Module, Non-Coded
-	0017-00101-1288	8	Hardware: Phillips Screw 0.5"
-	0017-00101-1275	13	Hardware: Phillips Screw 0.375"

Console, Overlay Assembly and Overlay



Ref #	Part Number	Qty	Description
-	AK58-00202-0001	1	Overlay Switch Bezel Assembly - English/European
-	OK58-01296-0001	1	Overlay - English / Metric
-	AK58-00582-0001	1	Console: English/Metric

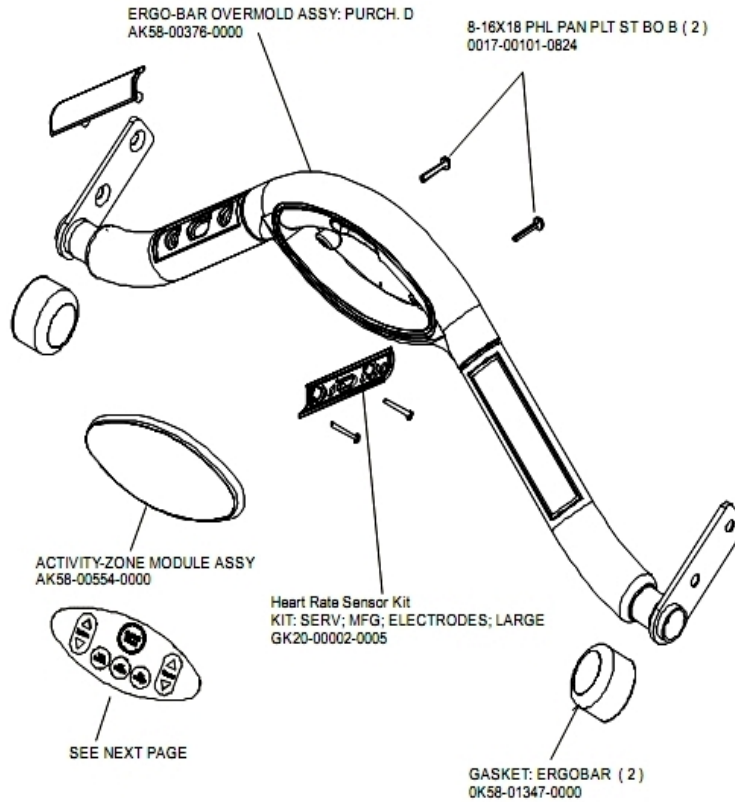
Drive Motor Assembly



Description	Part Nos.	
	S/N TST100000—TST100343	S/N TST100344 and up
Drive Motor Assembly	AK58-00171-0001 (dual cable)	AK58-00171-0002 (tapered shaft)
Cast Iron Flywheel	0K58-01092-0002	0K58-01092-0004
Drive Motor Setscrews/Bolt	0017-00101-0975 (uses setscrews)	0017-00101-1885 (uses bolt)

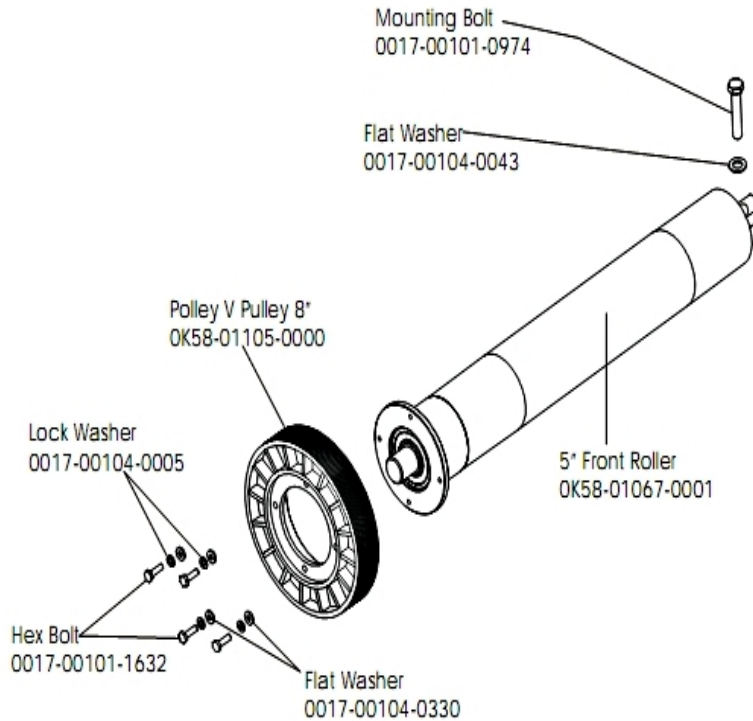
Ref #	Part Number	Qty	Description
-	0017-00103-0027	4	Hardware: Locking Nut. 5/16" ID
-	0K58-01092-0002	1	Cast Iron Flywheel
-	0K58-01255-0000	4	Hardware: Insulating Washers
-	0K58-01256-0001	2	Insulating Pad
-	0017-00104-0409	4	Hardware: Washer 1.125" OD
-	0017-00101-0333	2	Hardware: Screw 0.3125"
-	0K58-01092-0004	2	Cast Iron Flywheel

Ergo Bar, Heart Rate Sensors and Activity Zone



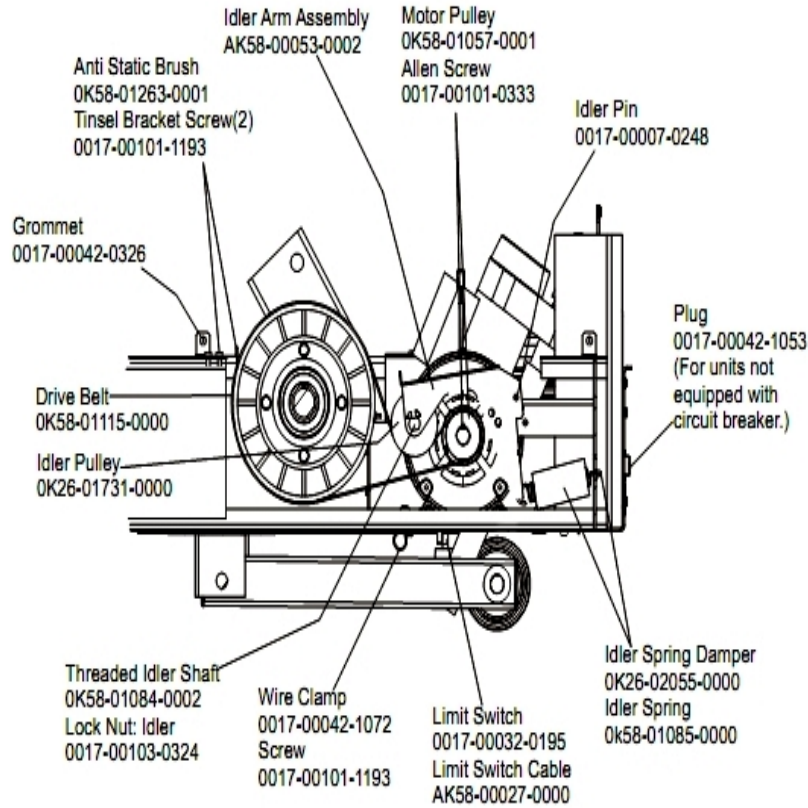
Ref #	Part Number	Qty	Description
-	AK58-00554-0201	1	Activity-Zone Module Assembly: Purchased; Generic Shadow Grey
-	GK20-00002-0005	1	Heart Rate Electrode Kit
-	0017-00101-0824	2	Hardware: Screw 1.125"
-	AK58-00376-0001	1	Ergo-Bar Overmold Assembly
-	OK58-01347-0000	2	ErgoBar Gasket

Front Roller Assembly



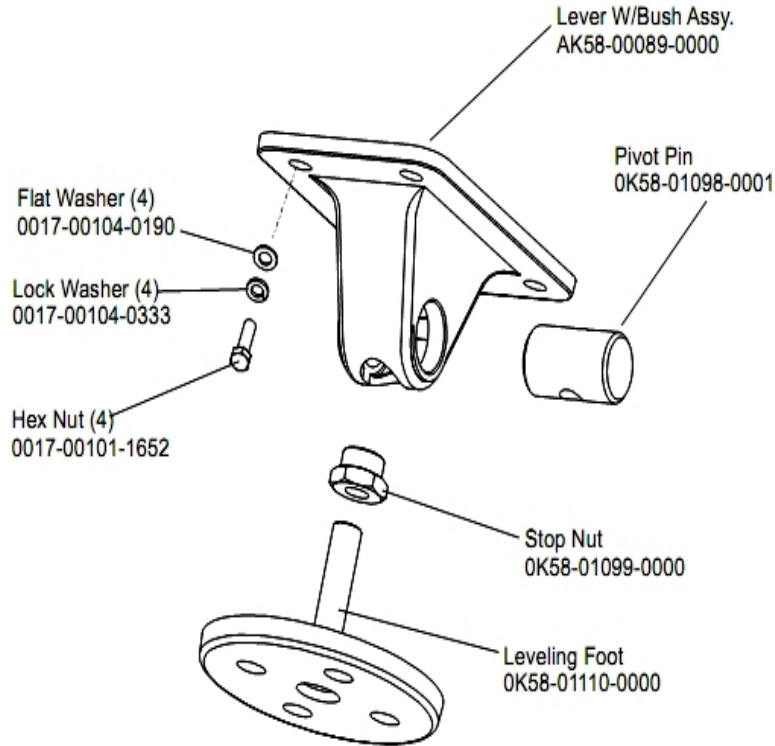
Ref #	Part Number	Qty	Description
-	0017-00101-0974	1	Hardware: Mounting Bolt 2"
-	0017-00104-0043	1	Hardware: Flat Washer 0.734" OD
-	0017-00104-0005	4	Hardware: Lock Washer 0.489" OD
-	AK58-00067-0000	1	Front Roller Assembly
-	OK58-01105-0000	1	Drive Pulley Poly V - 8"
-	0017-00104-0330	4	Hardware: Flat Washers 0.562" OD
-	OK58-01067-0001	1	Front Roller - 5"
-	0017-00101-1632	4	Hardware: Hex Bolt 0.875"

Idler Arm Assembly



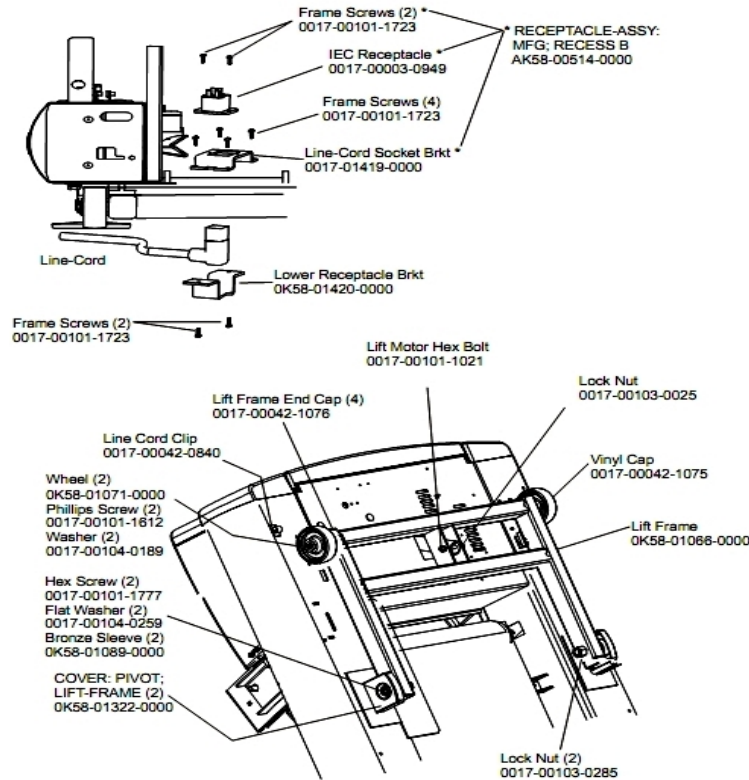
Ref #	Part Number	Qty	Description
-	OK58-01057-0001	1	Drive Pulley - 1.971"
-	AK58-00053-0002	1	Idler Arm Assembly
-	0017-00042-1053	1	Plug (For units not equipped with circuit breaker.)
-	0017-00103-0324	1	Hardware: Thin Lock Nut 3/8" ID
-	AK58-00027-0000	1	Limit Switch Cable
-	OK26-01731-0000	1	Plastic Idler 2 5/8" OD
-	OK26-02055-0000	1	Spring Damper
-	0017-00032-0195	1	Home Switch
-	0017-00042-1072	1	Hardware: Wire Clamp - 5/8"
-	0017-00007-0248	1	Hardware: Locking Pin .31" D 2.125" L
-	0017-00042-0326	1	Hardware: Plastic Grommet
-	0017-00101-1193	3	Hardware: Screw 0.375"
-	OK58-01084-0002	1	Threaded Shaft
-	OK58-01085-0000	1	Extension Spring
-	OK58-01263-0001	1	Tinsel Bracket
-	0017-00101-0333	1	Hardware: Screw 0.3125"
-	GK58-00002-0129	1	KIT: TREADMILL BELT AND PULLEY

Leg Leveler Assembly



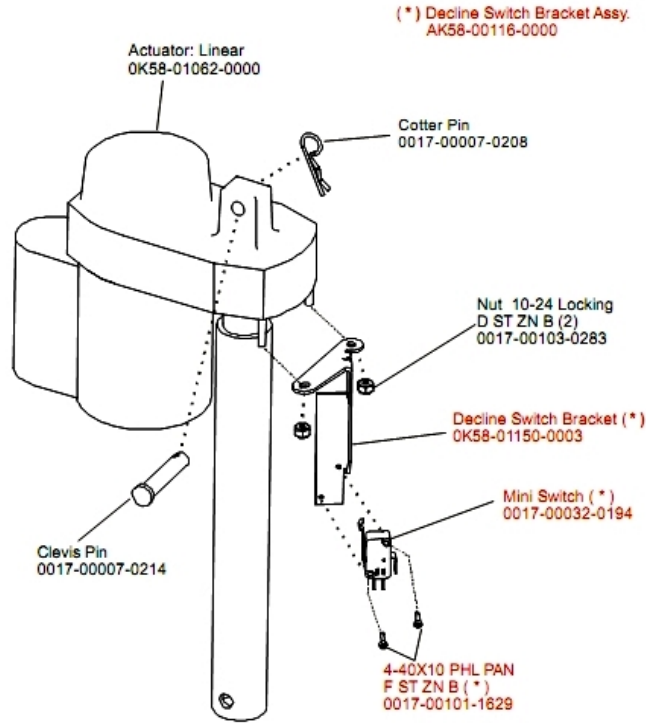
Ref #	Part Number	Qty	Description
-	OK58-01110-0000	1	Leveler Foot
-	OK58-01098-0001	1	Hardware: Pivot Pin
-	0017-00104-0333	4	Hardware: Washer 0.683" OD
-	AK58-00464-0000	1	Leveler Assembly
-	AK58-00089-0000	1	Bracket Leveler
-	OK58-01099-0000	1	Hardware: Stop Nut
-	0017-00104-0190	4	Hardware: Flat Washer 0.734" OD
-	0017-00101-1652	4	Hardware: Spring Mounting Screw 1"

Lift Frame and Receptacle Assembly



Ref #	Part Number	Qty	Description
-	0017-00103-0285	4	Hardware: Nut 5/8" ID
-	0017-00042-1076	4	Lift Frame End Cap
-	AK58-00220-0000	1	LIFT-FRAME ASSY: MFG. C
-	0K58-01420-0000	1	Lower Receptacle Bracket
-	0K58-01089-0000	2	Bronze Sleeve Bushings
-	0017-00042-0840	1	Hardware: Push Mount Clip
-	0K58-01071-0000	2	Wheel
-	0017-00042-1075	1	Vinyl Cap
-	0017-00101-1612	2	Hardware: Phillips Screw 0.5"
-	0017-00104-0259	2	Hardware: Washer 1.331" OD
-	0017-00103-0025	1	Hardware: Locking Nut 3/8" ID
-	0017-00101-1021	1	Hardware: Lift Motor Hex Bolt 2.5"
-	0017-00003-0949	1	IEC Receptacle
-	AK58-00514-0000	1	Receptacle Assembly
-	0017-00101-1723	8	Hardware: Phillips Pan Screw 0.375"
-	0K58-01419-0000	1	Line Cord Socket Bracket
-	0K58-01322-0000	2	Lift Frame Pivot Cover
-	0017-00101-1777	2	Hardware: Lift Frame Mounting Bolt 2.75"
-	0017-00104-0189	2	Hardware: Flat Washer 1" OD

Lift Motor Assembly



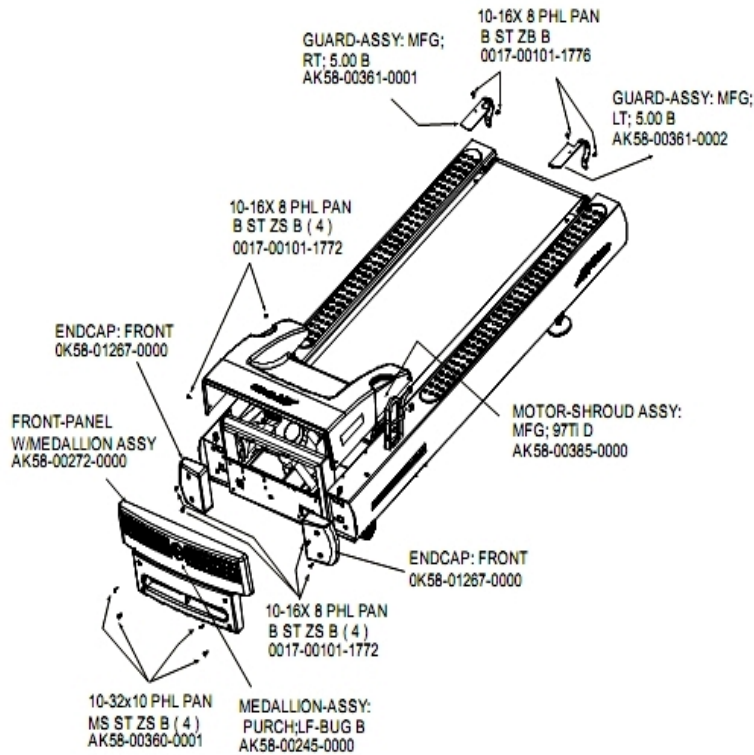
Ref #	Part Number	Qty	Description
-	0017-00007-0208	2	Hardware: Cotter Pin
-	0017-00103-0283	2	Hardware: Locking Nut ID
-	0017-00032-0194	1	Mini Switch; SPDT
-	0K58-01150-0003	1	Decline Switch Bracket
-	0017-00007-0214	2	Hardware: Clevis Pin 3/8" D 1.75" L
-	0017-00101-1629	1	Hardware: Phillips Pan Screw 0.625"
-	AK58-00116-0000	1	Switch Bracket Assembly
-	0K58-01062-0000	1	Lift Motor - 120/60

Miscellaneous

Ref #	Part Number	Qty	Description
-	0017-00008-0205	1	5 oz Bottle - Arctic Silver
-	M051-00K58-B128	1	Service Instructions - Roller Guards
-	0017-00009-1049	1	Torx Wrench
-	0017-00101-1773	6	Hardware: TORX Screw 0.5"
-	AK58-00226-0000	1	Hardware Bag
-	0017-00008-0204	1	Paint Spray Can - Arctic Silver
-	0017-00042-0840	5	Hardware: Push Mount Clip
-	0017-00101-1770	6	Hardware: Phillips Pan Screw 0.5"
-	0K58-01376-0000	2	Anti-Scuff Pad
-	0017-00101-1772	6	Hardware: Phillips Pan Screw 0.5"
-	0K58-01347-0000	2	ErgoBar Gasket
-	0017-00008-0206	1	.33oz Pen - Arctic Silver
-	0017-00042-0326	4	Hardware: Plastic Grommet
-	0017-00042-1147	2	Hardware: Nylon Grommet
-	0017-00103-0327	4	Hardware: Hex Nut 5/16" ID
-	0K58-01305-0002	2	Upright Plug
-	0017-00101-1778	4	Hardware: Hex Bolt 1"
-	0017-00008-0211	1	Paint: Shadow-Gray Touch Up: .6 OZ Bottle
-	0017-00101-1774	4	Hardware: TORX Screw 2.5"
-	0017-00101-1780	8	Hardware: Mounting Screws
-	0K58-01391-0001	1	Rear Roller Guard Right
-	0K58-01391-0002	1	Rear Roller Guard Left

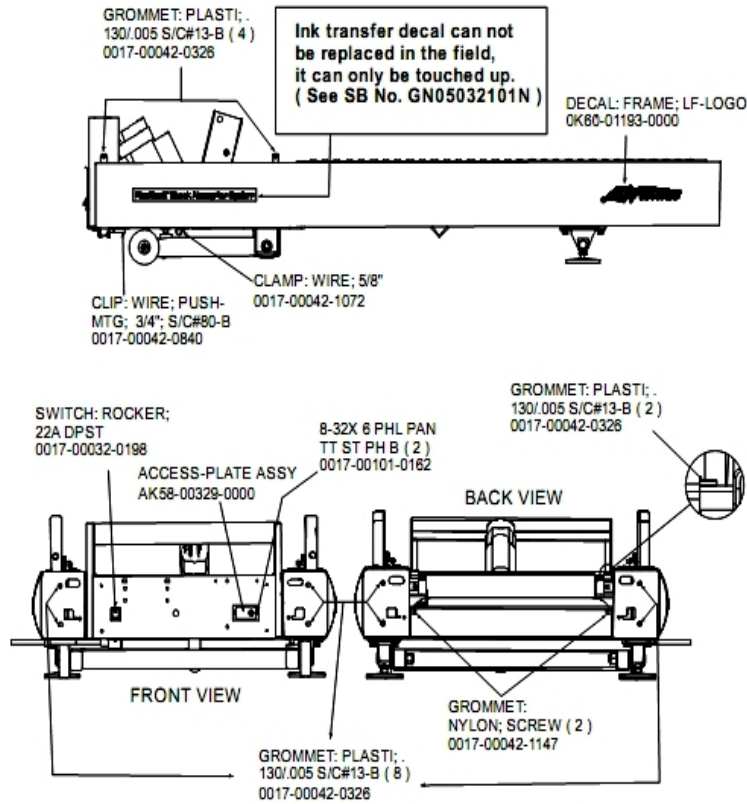
Ref #	Part Number	Qty	Description
-	0017-00008-0210	1	Paint: Shadow-Gray Touch Up: .6 OZ Bottle
-	0017-00101-1776	4	Hardware: Mounting Screw 0.5"
-	0017-00104-0325	4	Hardware: Washer 0.873" OD
-	GK58-00002-0096	1	Roller Guard kit

Motor Cover, Front Cover and Front End Caps



Ref #	Part Number	Qty	Description
-	0017-00101-1772	2	Hardware: Phillips Pan Screw 0.5"
-	AK58-00245-0000	1	Bug Medallion
-	AK58-00360-0001	1	Rear Roller Guard: Right
-	0017-00101-1776	1	Hardware: Mounting Screw 0.5"
-	0K58-01391-0002	1	Rear Roller Guard Left
-	0K58-01391-0001	1	Rear Roller Guard Right
-	AK58-00272-0000	1	Front Panel with Medallion
-	0K58-01267-0000	1	End Cap

On/Off Switch, Access Plate and Grommets

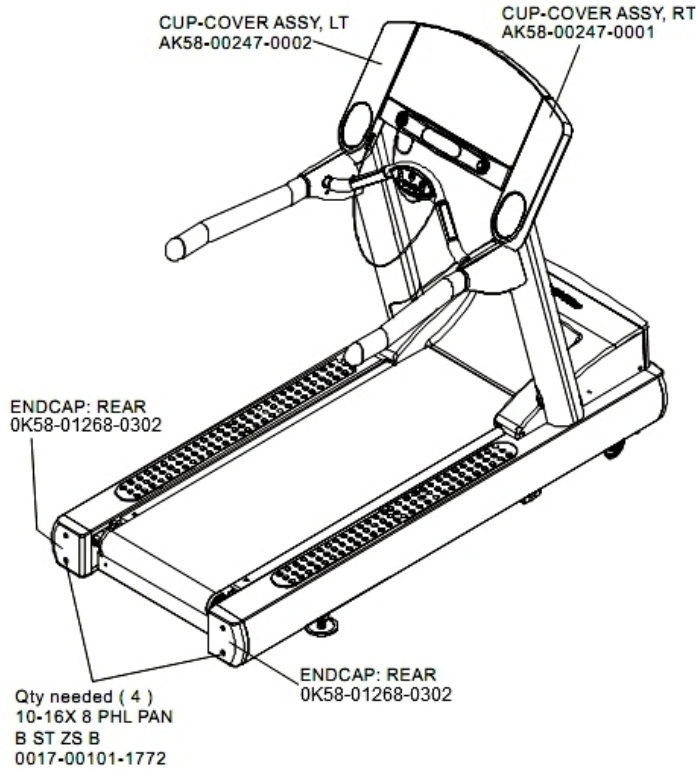


Ref #	Part Number	Qty	Description
-	0017-00042-0840	1	Hardware: Push Mount Clip
-	AK58-00329-0000	1	Access Panel Assembly
-	OK58-01397-0000	1	Striding Belt
-	0017-00101-0162	2	Hardware: Screw 0.375"
-	OK60-01193-0000	1	Decal: LF Logo
-	0017-00042-1147	2	Hardware: Nylon Grommet
-	0017-00042-0326	14	Hardware: Plastic Grommet
-	0017-00032-0198	1	On/Off Switch 22A
-	0017-00042-1072	1	Hardware: Wire Clamp - 5/8"

Optional Line Cords

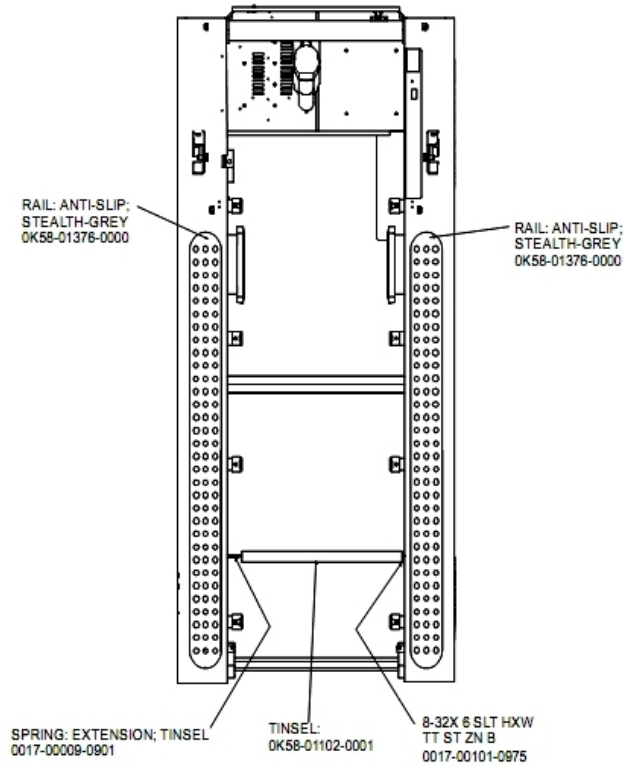
Ref #	Part Number	Qty	Description
-	0017-00003-0980	1	Line Cord: US Low Voltage 144"

Rear End Caps and Cup Holders



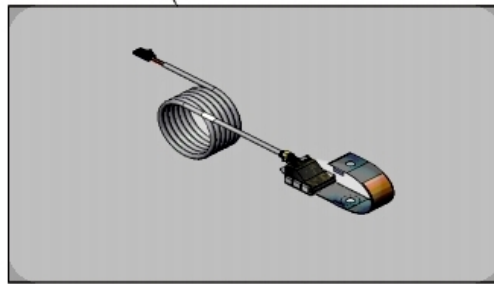
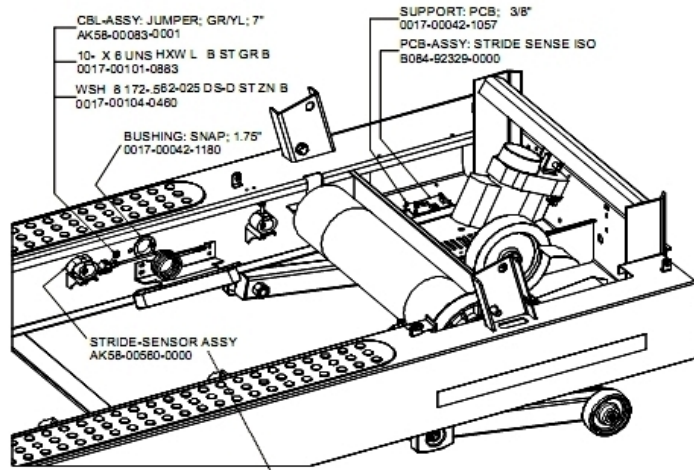
Ref #	Part Number	Qty	Description
-	AK58-00247-0002	1	Cup Holder Left
-	AK58-00247-0001	1	Cup Holder Right
-	0K58-01268-0302	2	ENDCAP: REAR; STEALTH D
-	0017-00101-1772	1	Hardware: Phillips Pan Screw 0.5"

Scuff Pad and Tinsel



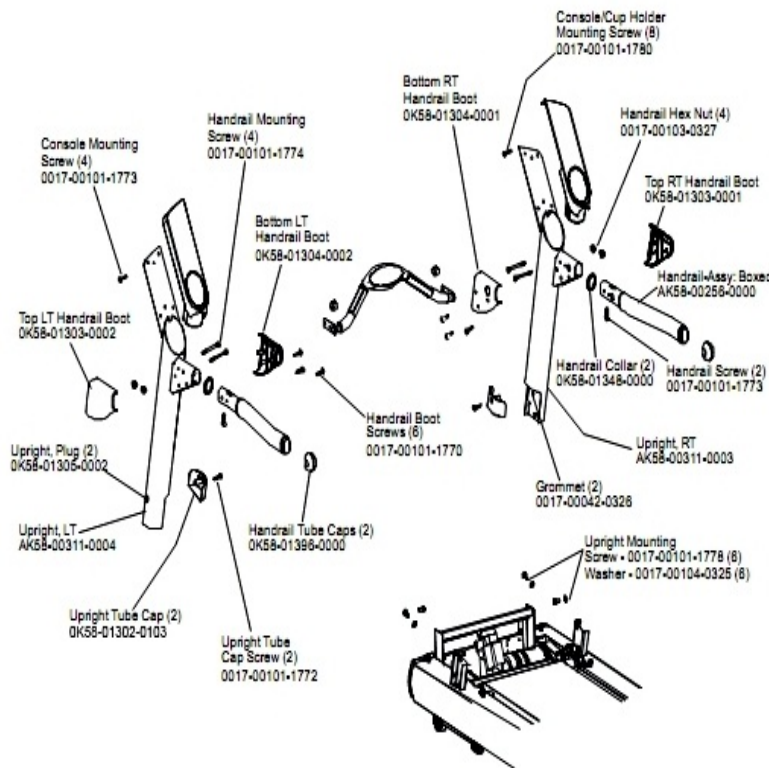
Ref #	Part Number	Qty	Description
-	0017-00009-0901	1	Tinsel Extension Spring
-	0K58-01376-0000	2	Anti-Scuff Pad
-	0K58-01102-0001	1	Anti-Static Tinsel
-	0017-00101-0975	1	Hardware: Mounting Bolt 0.375"

Stride Sensor and Stride Sensor PCB Assembly



Ref #	Part Number	Qty	Description
-	0017-00042-1180	1	Hardware: Snap Bushing - 1.75"
-	B084-92329-0000	1	PCB-ASSY: STRIDE SENSE ISO
-	AK58-00560-0000	1	Stride Sensor Assembly
-	0017-00042-1057	1	Support: Printed Circuit Board; 3/8"

Uprights and Handrails



Ref #	Part Number	Qty	Description
-	0017-00101-1780	8	Hardware: Mounting Screws
-	AK58-00311-0003	1	Upright: Right
-	0017-00101-1772	2	Hardware: Phillips Pan Screw 0.5"
-	0K58-01304-0002	1	Bottom Left Handrail Boot
-	0K58-01304-0001	1	Bottom Right Handrail Boot
-	0K58-01303-0002	1	Top Left Handrail Boot
-	0017-00101-1774	4	Hardware: TORX Screw 2.5"
-	0017-00101-1773	6	Hardware: TORX Screw 0.5"
-	0017-00101-1778	1	Hardware: Hex Bolt 1"
-	AK58-00311-0004	1	Upright: Left
-	AK58-00256-0001	1	Handrail
-	0K58-01305-0002	2	Upright Plug
-	0K58-01302-0103	2	Cap: Upright Tube; Arctic Silver
-	0017-00103-0327	4	Hardware: Hex Nut 5/16" ID
-	0017-00042-0326	2	Hardware: Plastic Grommet
-	0017-00104-0325	6	Hardware: Washer 0.873" OD
-	0K58-01348-0000	2	Handrail Collar
-	0K58-01303-0001	1	Top Right Handrail Boot
-	0K58-01396-0000	2	Endcap
-	0017-00101-1770	6	Hardware: Phillips Pan Screw 0.5"

