

97Ti Treadmill - 4HP AC DSP - Heart Rate

97T-0102-05

Parts Manual

1/5/2019 11:44:59 AM

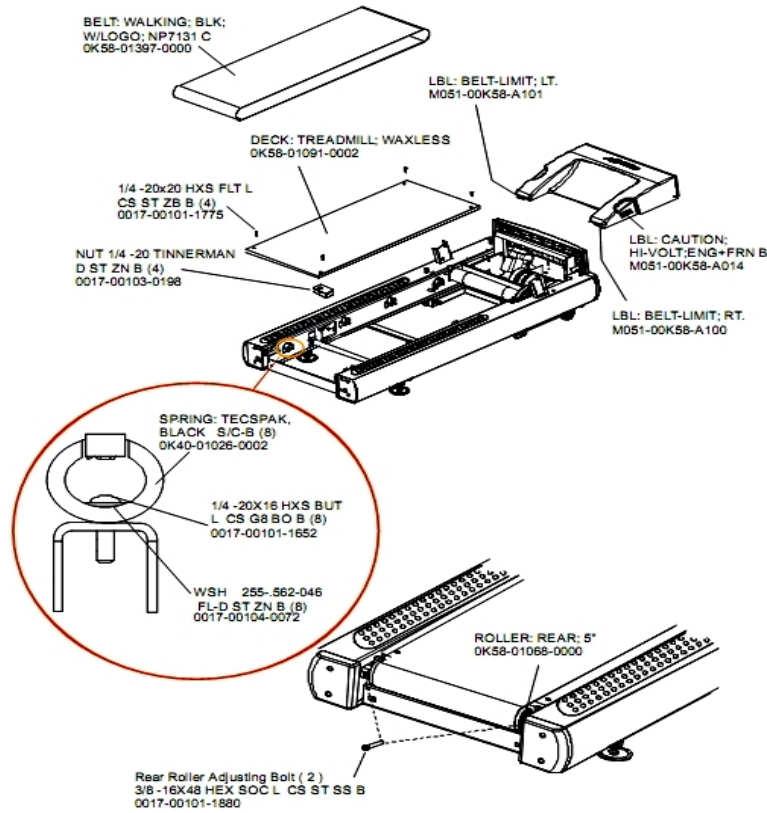


LifeFitness
WHAT WE LIVE FOR

Table of Contents

Belt, Deck, and Rear Roller	3
Cables	4
Console Components	5
Console Overlay	6
Drive Motor Assembly	7
DSP Controller Assembly	8
Ergo Bar and Heart Rate Sensors	9
Front Roller Assembly	10
Idler Arm Assembly	11
Leg Leveler Assembly	12
Lift Frame and Receptacle Assembly	13
Lift Motor Assembly	14
Line Cords and Line Cord Options	15
Motor Cover, Front Cover and End Caps	16
On/Off Switch, Access Plate and Grommets	17
Rear End Caps and Cup Holders	18
References	19
Scuff Pad and Tinsel	21
Uprights and Handrails	22

Belt, Deck, and Rear Roller

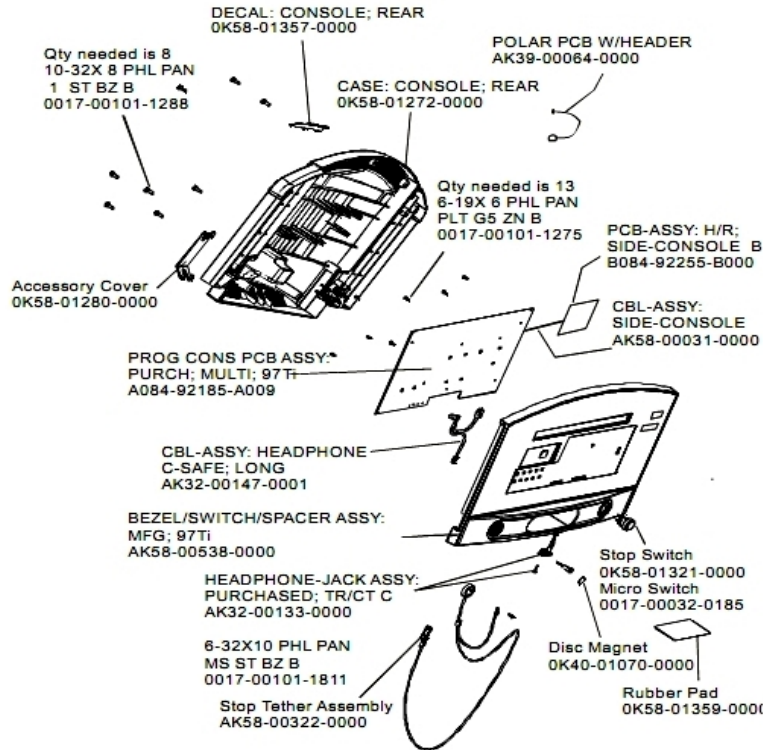


Ref #	Part Number	Qty	Description
-	0017-00101-1775	4	Hardware: Deck Screws 1.25"
-	OK40-01026-0002	8	Deck Spring
-	OK58-01397-0000	1	Striding Belt
-	OK65-01263-0000	1	Deck
-	0017-00101-1880	1	Hardware: Tension Bolts 3"
-	0017-00104-0072	8	Hardware: Flat Washer 0.562" OD
-	OK58-01068-0000	1	Rear Roller - 5"
-	0017-00101-1652	8	Hardware: Spring Mounting Screw 1"
-	0017-00103-0198	4	Hardware: Tinnerman Clip 1/4" ID

Cables

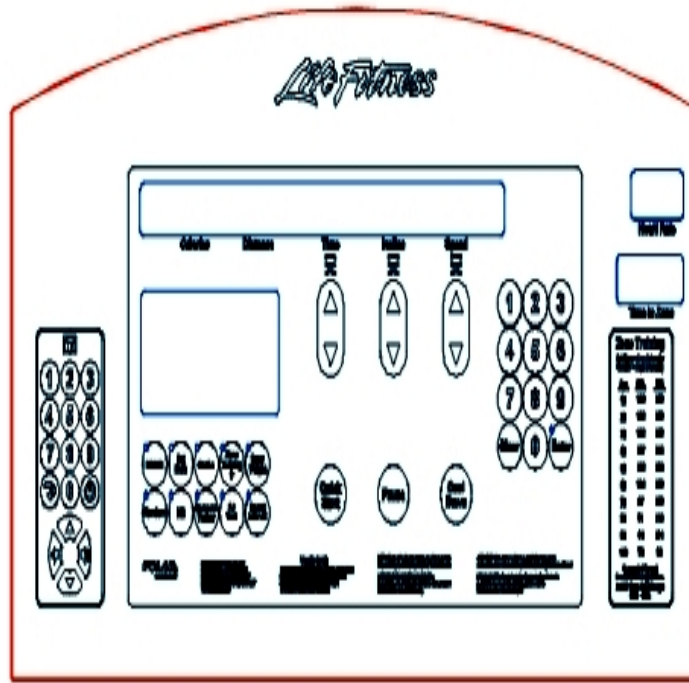
Ref #	Part Number	Qty	Description
-	0017-00003-0898	1	10 amp Line Filter (INT)
-	AK58-00036-0000	1	Cable-Assembly: Emergency-Stop Switch
-	AK58-00031-0000	1	Side Console Cable Assembly
-	AK58-00082-0000	1	Jumper Cable Assembly: White - 6"
-	AK58-00083-0000	1	Cable Assembly
-	AK58-00034-0001	1	Console Power Cable
-	AK32-00078-0001	1	Power Extension Cable: 120"
-	AK58-00210-0000	1	Transformer-Bracket Assembly
-	AK58-00032-0000	1	User Proximity Sensor Cable
-	AK60-00009-0001	1	Negative Switch Cable Assembly
-	AK58-00522-0000	1	Cable: Jumper; Power; LED Console
-	0017-00003-0626	1	CIRCUIT-BREAKER:2A 200-240V
-	AK58-00596-0001	1	Power Cable: 230-240V
-	AK58-00224-0001	1	Cable: MOV; Fliter
-	AK58-00263-0000	1	Hi-Pot Jumper Cable
-	AK58-00081-0000	1	Jumper Cable Assembly: Black - 4"
-	AK58-00027-0000	1	Limit Switch Cable
-	AK58-00041-0001	1	Heart Rate Sensor Cable
-	AK58-00237-0000	1	Cable-Assembly: Polar/E-Stop
-	AK32-00020-0002	1	Coax Cable: 120"

Console Components



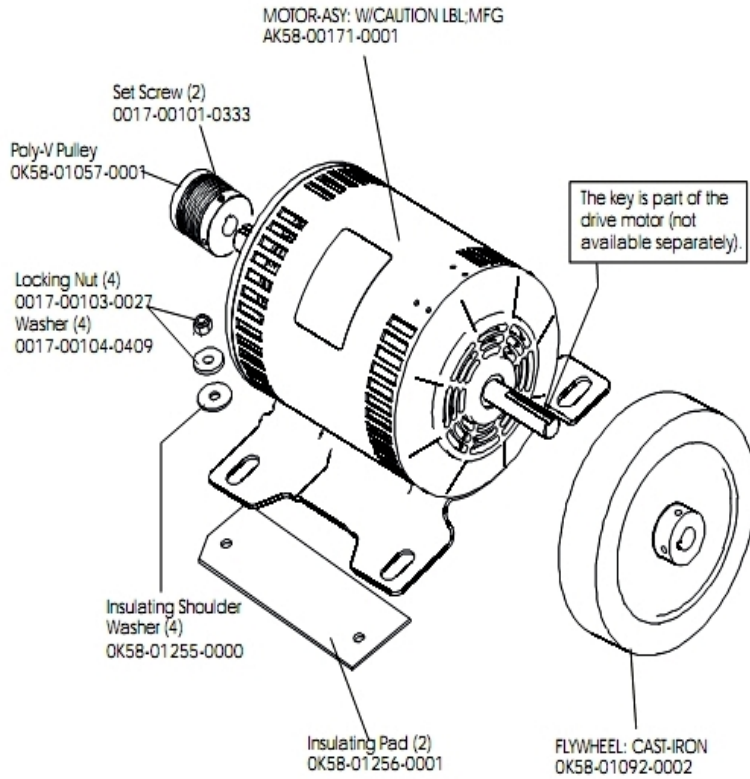
Ref #	Part Number	Qty	Description
-	0K58-01357-0000	1	Decal
-	0017-00101-1288	8	Hardware: Phillips Screw 0.5"
-	0017-00101-1275	13	Hardware: Phillips Screw 0.375"
-	AK32-00147-0001	1	Cable Headphone Assembly - C-Safe
-	0K58-01280-0000	1	Accessory Cover
-	0017-00032-0185	1	Micro Switch 150GR
-	118E-00001-0259	1	Wireless Receiver Module, Non-Coded
-	0K40-01070-0000	1	Magnetic Disk
-	0K58-01359-0000	1	Rubber Pad
-	AK58-00031-0000	1	Side Console Cable Assembly
-	AK32-00133-0000	1	Headphone Jack Assembly
-	AK58-00538-0000	1	Bezel Switch/Spacer
-	0K58-01321-0000	1	Stop Switch
-	B084-92255-B000	1	PCB Assembly
-	0017-00101-1811	1	Hardware: Phillips Pan Screw 0.625"
-	AK58-00322-0000	1	Tether Stop Assembly
-	A084-92185-A009	1	PCB Assembly
-	0K58-01272-0000	1	Rear Console Case

Console Overlay



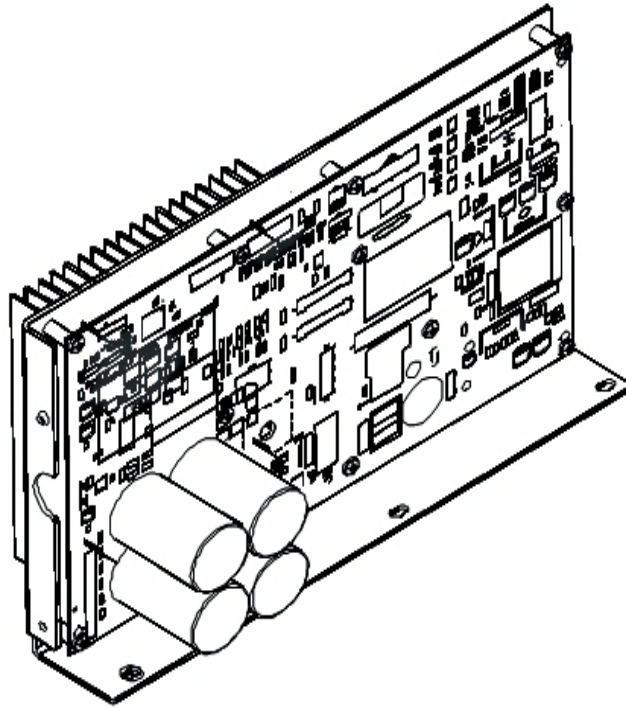
Ref #	Part Number	Qty	Description
-	0K58-01296-0001	1	Overlay - English / Metric
-	AK58-00202-0002	1	Overlay Switch Bezel Assembly - English/Metric
-	AK58-00390-0002	1	Console: English/Metric

Drive Motor Assembly



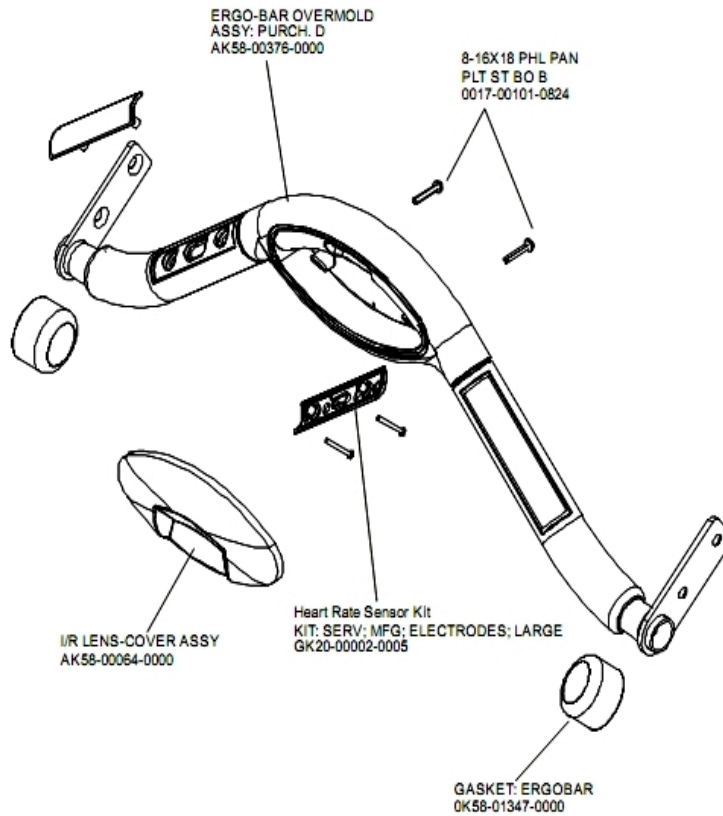
Ref #	Part Number	Qty	Description
-	OK58-01057-0001	1	Drive Pulley - 1.971"
-	0017-00103-0027	4	Hardware: Locking Nut. 5/16" ID
-	OK58-01092-0002	1	Cast Iron Flywheel
-	0017-00104-0409	4	Hardware: Washer 1.125" OD
-	0017-00101-0333	2	Hardware: Screw 0.3125"
-	OK58-01256-0001	2	Insulating Pad
-	AK58-00171-0001	1	Drive Motor Assembly
-	OK58-01255-0000	4	Hardware: Insulating Washers

DSP Controller Assembly



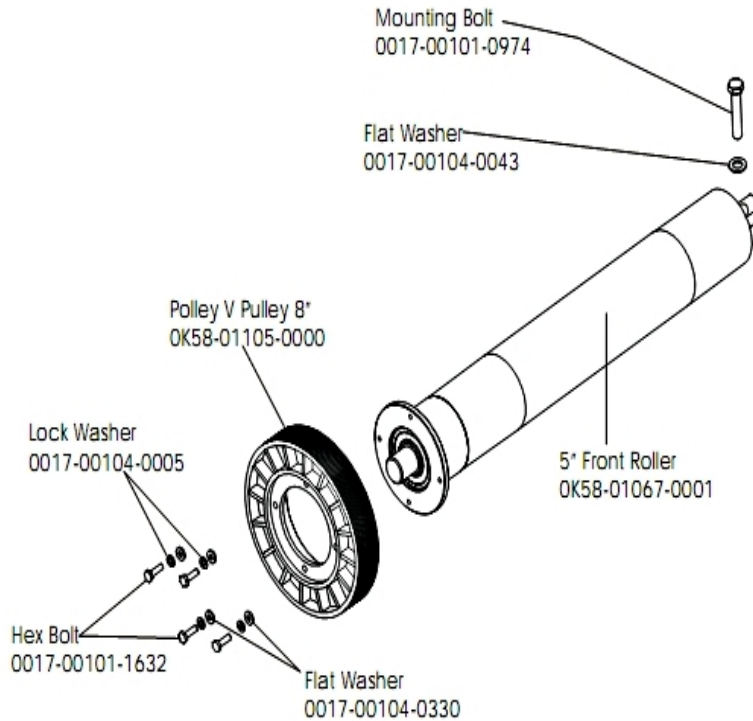
Ref #	Part Number	Qty	Description
-	AK65-00071-0009	1	DSP Controller 200-240

Ergo Bar and Heart Rate Sensors



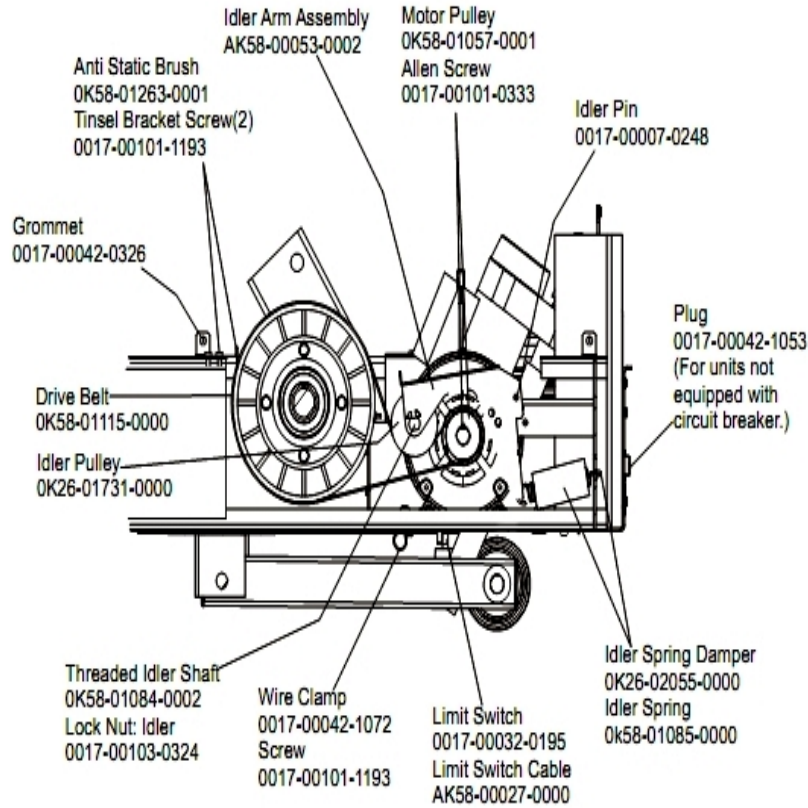
Ref #	Part Number	Qty	Description
-	AK58-00064-0000	1	I/R Lens Cover Assembly
-	AK58-00219-0000	1	Ergo Bar with Heart Rate Sensors
-	0017-00101-0824	1	Hardware: Screw 1.125"
-	AK58-00376-0001	1	Ergo-Bar Overmold Assembly
-	OK58-01347-0000	1	ErgoBar Gasket
-	GK20-00002-0005	2	Heart Rate Electrode Kit

Front Roller Assembly



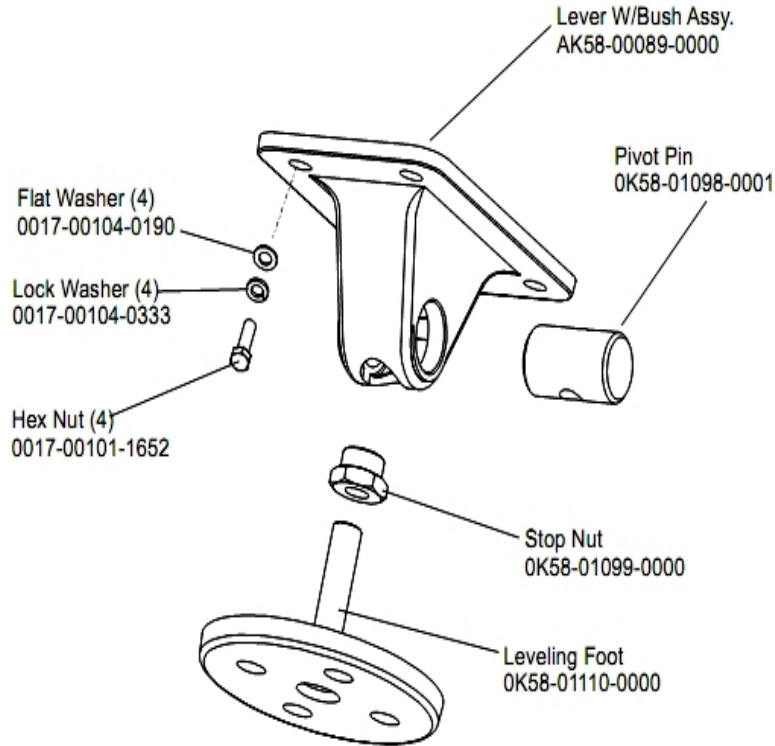
Ref #	Part Number	Qty	Description
-	0017-00101-0974	1	Hardware: Mounting Bolt 2"
-	0017-00104-0330	4	Hardware: Flat Washers 0.562" OD
-	0017-00101-1632	4	Hardware: Hex Bolt 0.875"
-	OK58-01067-0001	1	Front Roller - 5"
-	0017-00104-0043	1	Hardware: Flat Washer 0.734" OD
-	0017-00104-0005	4	Hardware: Lock Washer 0.489" OD
-	AK58-00067-0000	1	Front Roller Assembly
-	OK58-01105-0000	1	Drive Pulley Poly V - 8"

Idler Arm Assembly



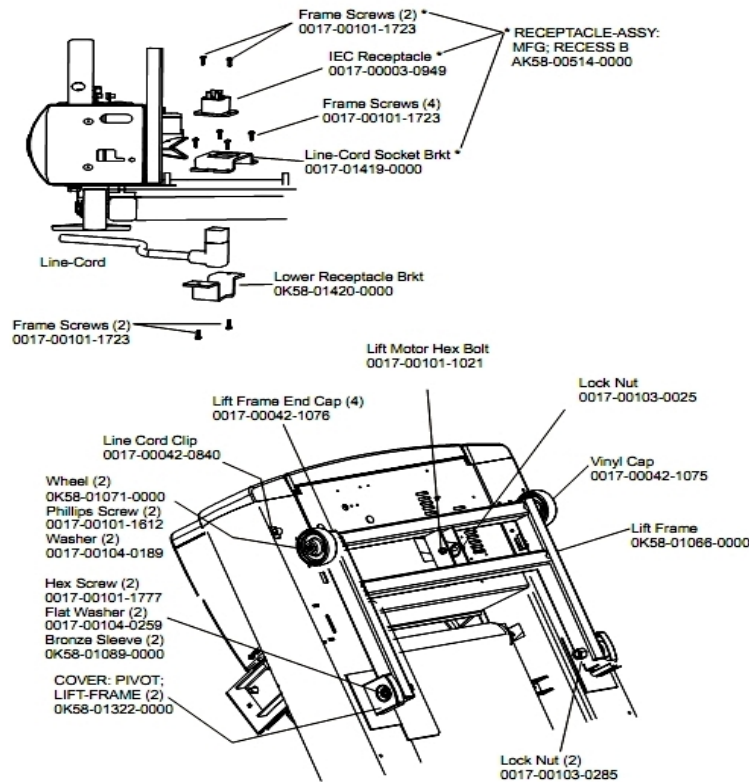
Ref #	Part Number	Qty	Description
-	OK58-01057-0001	1	Drive Pulley - 1.971"
-	OK58-01263-0001	1	Tinsel Bracket
-	0017-00042-1053	1	Plug (For units not equipped with circuit breaker.)
-	0017-00103-0324	1	Hardware: Thin Lock Nut 3/8" ID
-	AK58-00027-0000	1	Limit Switch Cable
-	OK26-01731-0000	1	Plastic Idler 2 5/8" OD
-	OK26-02055-0000	1	Spring Damper
-	0017-00032-0195	1	Home Switch
-	0017-00042-1072	1	Hardware: Wire Clamp - 5/8"
-	OK58-01084-0002	1	Threaded Shaft
-	0017-00007-0248	1	Hardware: Locking Pin .31" D 2.125" L
-	0017-00042-0326	1	Hardware: Plastic Grommet
-	0017-00101-1193	3	Hardware: Screw 0.375"
-	0017-00101-0333	1	Hardware: Screw 0.3125"
-	AK58-00053-0002	1	Idler Arm Assembly
-	OK58-01085-0000	1	Extension Spring
-	GK58-00002-0129	1	KIT: TREADMILL BELT AND PULLEY

Leg Leveler Assembly



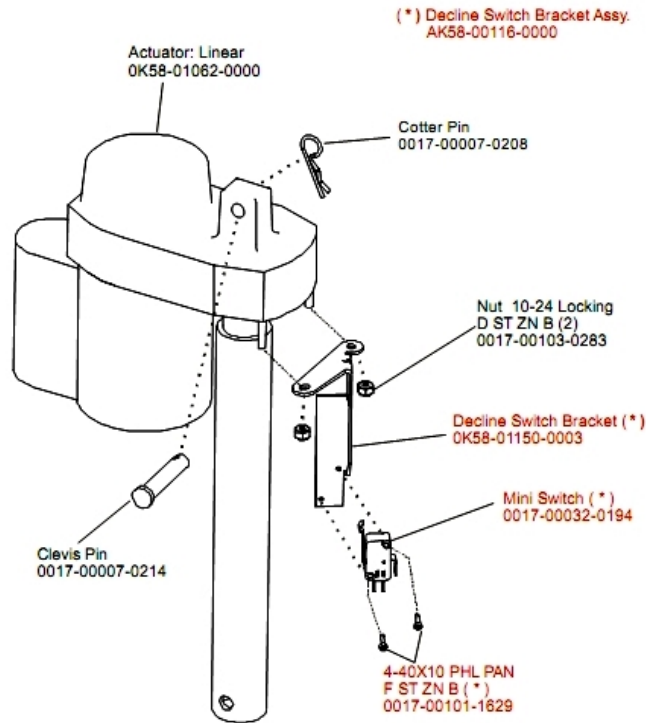
Ref #	Part Number	Qty	Description
-	0K58-01110-0000	2	Leveler Foot
-	0K58-01099-0000	2	Hardware: Stop Nut
-	AK58-00464-0000	2	Leveler Assembly
-	0017-00104-0333	8	Hardware: Washer 0.683" OD
-	0K58-01098-0001	2	Hardware: Pivot Pin
-	0017-00101-1652	8	Hardware: Spring Mounting Screw 1"
-	0017-00104-0190	8	Hardware: Flat Washer 0.734" OD
-	AK58-00089-0000	2	Bracket Leveler

Lift Frame and Receptacle Assembly



Ref #	Part Number	Qty	Description
-	0017-00042-1075	1	Vinyl Cap
-	0017-00101-1612	2	Hardware: Phillips Screw 0.5"
-	0017-00003-0949	1	IEC Receptacle
-	0017-00104-0259	2	Hardware: Washer 1.331" OD
-	0017-00103-0025	1	Hardware: Locking Nut 3/8" ID
-	0017-00101-1021	1	Hardware: Lift Motor Hex Bolt 2.5"
-	AK58-00514-0000	1	Receptacle Assembly
-	0017-00101-1723	8	Hardware: Phillips Pan Screw 0.375"
-	0017-00103-0285	2	Hardware: Nut 5/8" ID
-	0K58-01322-0000	2	Lift Frame Pivot Cover
-	0K58-01419-0000	1	Line Cord Socket Bracket
-	0017-00104-0189	2	Hardware: Flat Washer 1" OD
-	0017-00101-1777	2	Hardware: Lift Frame Mounting Bolt 2.75"
-	0017-00042-1076	4	Lift Frame End Cap
-	0K58-01071-0000	2	Wheel
-	0017-00042-0840	1	Hardware: Push Mount Clip
-	0K58-01089-0000	2	Bronze Sleeve Bushings
-	0K58-01420-0000	1	Lower Receptacle Bracket
-	AK58-00220-0000	1	LIFT-FRAME ASSY: MFG. C

Lift Motor Assembly

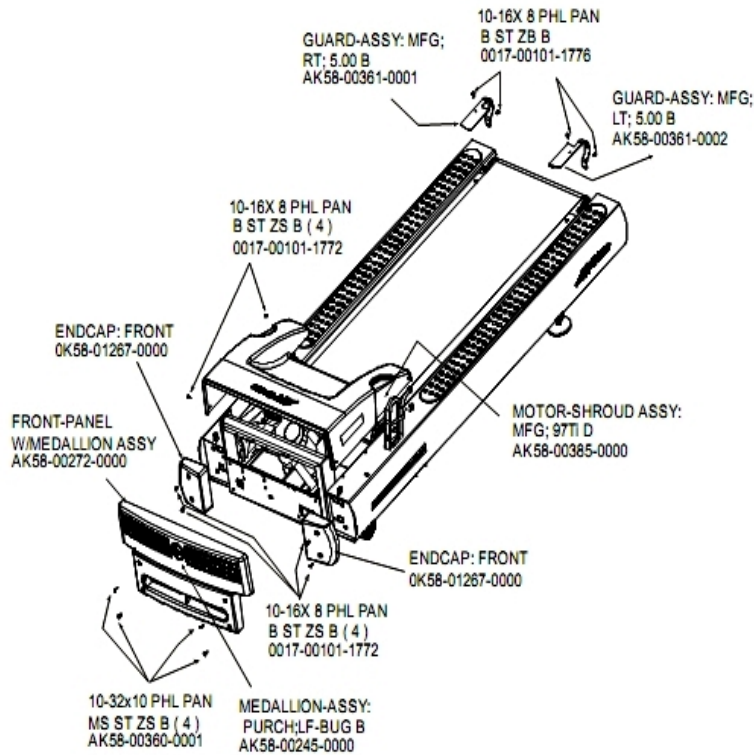


Ref #	Part Number	Qty	Description
-	0017-00101-1629	4	Hardware: Phillips Pan Screw 0.625"
-	0017-00007-0214	1	Hardware: Clevis Pin 3/8" D 1.75" L
-	OK58-01062-0000	1	Lift Motor - 120/60
-	AK58-00075-0000	1	Lift Motor Bracket Assembly
-	OK58-01150-0003	1	Decline Switch Bracket
-	0017-00032-0194	1	Mini Switch; SPDT
-	0017-00103-0283	2	Hardware: Locking Nut ID
-	0017-00007-0208	1	Hardware: Cotter Pin
-	AK58-00116-0000	1	Switch Bracket Assembly

Line Cords and Line Cord Options

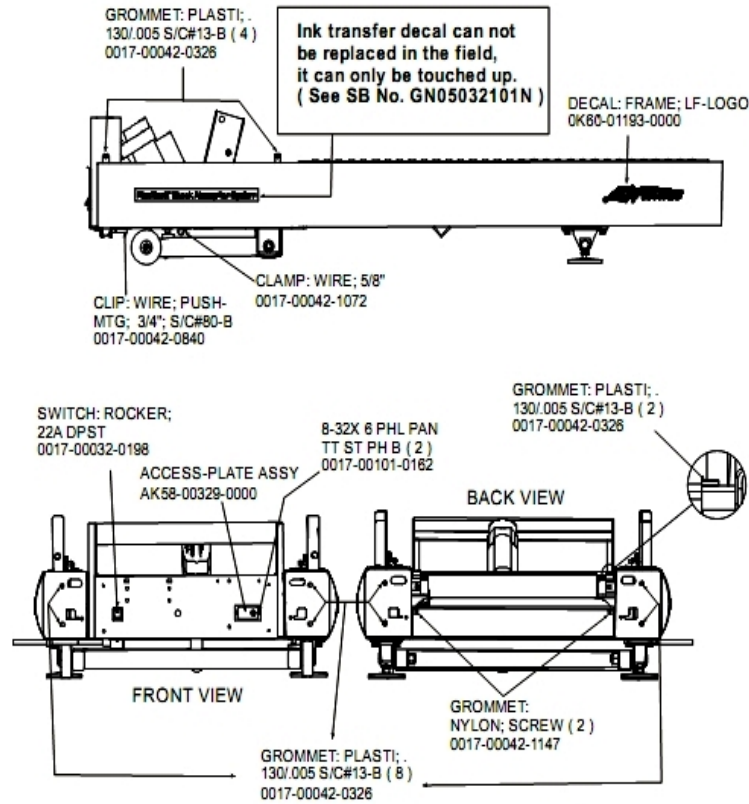
Ref #	Part Number	Qty	Description
-	0017-00003-0980	1	Line Cord: US Low Voltage 144"
-	0017-00003-0981	1	LINE-CORD: R/A; with PLUG 220/60 7.5'
-	0017-00003-0890	1	Line Cord: UK
-	0017-00003-0948	1	12' 220v Line Cord

Motor Cover, Front Cover and End Caps



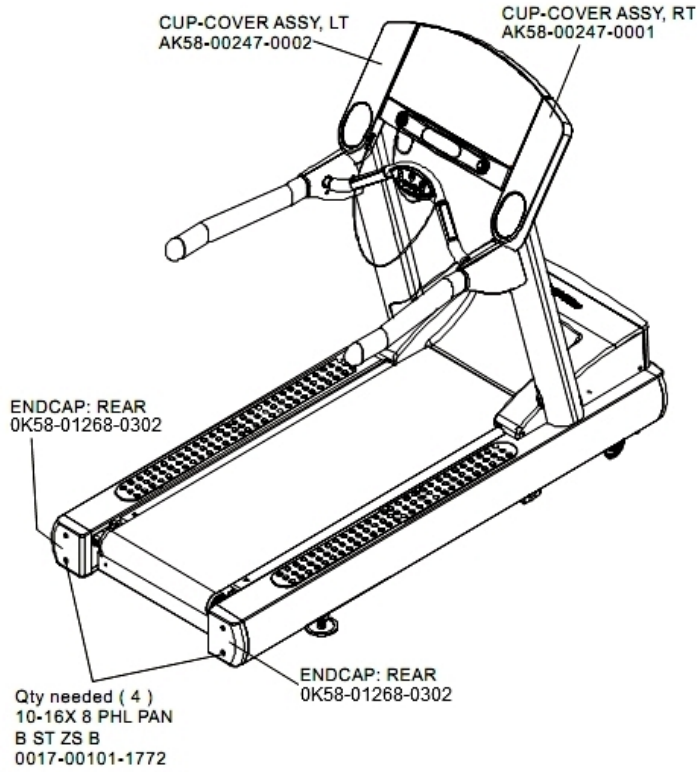
Ref #	Part Number	Qty	Description
-	AK58-00360-0001	1	Rear Roller Guard: Right
-	0017-00101-1772	2	Hardware: Phillips Pan Screw 0.5"
-	AK58-00245-0000	1	Bug Medallion
-	AK58-00385-0000	1	Motor Cover
-	0K58-01391-0002	1	Rear Roller Guard Left
-	0017-00101-1776	1	Hardware: Mounting Screw 0.5"
-	AK58-00272-0000	1	Front Panel with Medallion
-	0K58-01391-0001	1	Rear Roller Guard Right
-	0K58-01267-0000	2	End Cap

On/Off Switch, Access Plate and Grommets



Ref #	Part Number	Qty	Description
-	0017-00101-0162	1	Hardware: Screw 0.375"
-	AK58-00329-0000	1	Access Panel Assembly
-	0017-00042-0840	1	Hardware: Push Mount Clip
-	OK60-01193-0000	2	Decal: LF Logo
-	0017-00032-0198	1	On/Off Switch 22A
-	0017-00042-0326	3	Hardware: Plastic Grommet
-	0017-00042-1147	1	Hardware: Nylon Grommet
-	0017-00042-1072	1	Hardware: Wire Clamp - 5/8"

Rear End Caps and Cup Holders



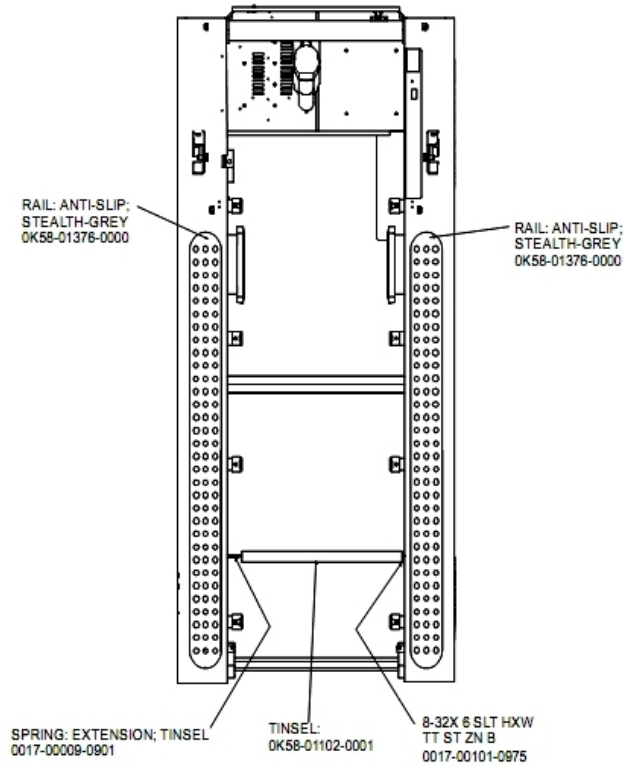
Ref #	Part Number	Qty	Description
-	OK58-01268-0302	2	ENDCAP: REAR; STEALTH D
-	AK58-00247-0002	1	Cup Holder Left
-	0017-00101-1772	4	Hardware: Phillips Pan Screw 0.5"
-	AK58-00247-0001	1	Cup Holder Right

References

Ref #	Part Number	Qty	Description
-	M051-00K58-B128	1	Service Instructions - Roller Guards
-	0017-00008-0204	1	Paint Spray Can - Arctic Silver
-	0017-00042-0840	5	Hardware: Push Mount Clip
-	0017-00101-1770	6	Hardware: Phillips Pan Screw 0.5"
-	0K58-01376-0000	2	Anti-Scuff Pad
-	0017-00101-1772	6	Hardware: Phillips Pan Screw 0.5"
-	0017-00101-1778	4	Hardware: Hex Bolt 1"
-	0017-00008-0206	1	.33oz Pen - Arctic Silver
-	0017-00042-0326	4	Hardware: Plastic Grommet
-	0017-00042-1147	2	Hardware: Nylon Grommet
-	0017-00103-0327	4	Hardware: Hex Nut 5/16" ID
-	0K58-01305-0002	2	Upright Plug
-	0K58-01347-0000	2	ErgoBar Gasket
-	0017-00008-0210	1	Paint: Shadow-Gray Touch Up: .6 OZ Bottle
-	0017-00101-1776	4	Hardware: Mounting Screw 0.5"
-	0017-00104-0325	4	Hardware: Washer 0.873" OD
-	GK58-00002-0096	1	Roller Guard kit
-	0017-00008-0211	1	Paint: Shadow-Gray Touch Up: .6 OZ Bottle
-	0017-00101-1774	4	Hardware: TORX Screw 2.5"
-	0017-00101-1780	8	Hardware: Mounting Screws
-	GK58-00002-0071	1	Anti-Slip Rail
-	0K58-01391-0001	1	Rear Roller Guard Right

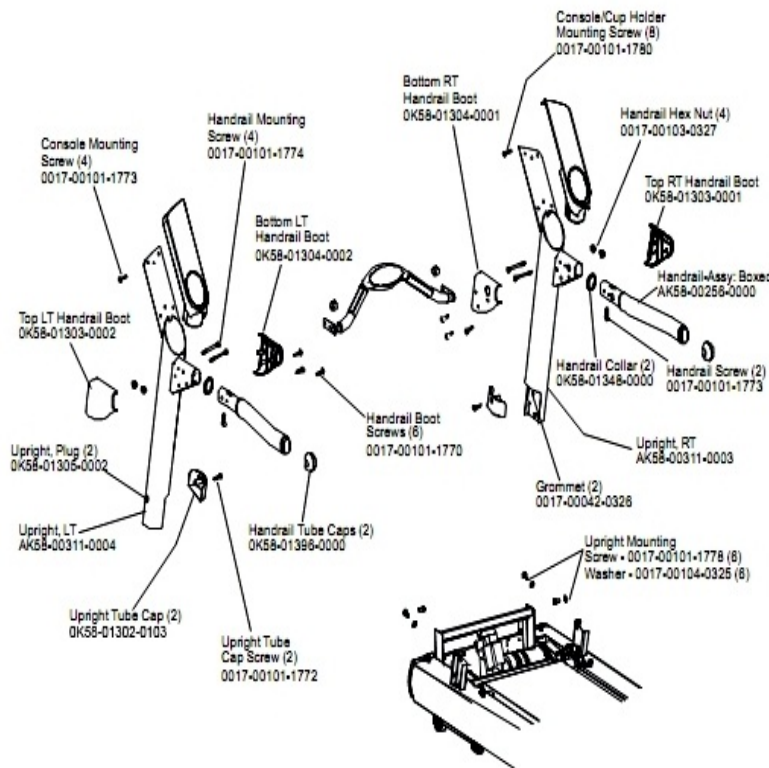
Ref #	Part Number	Qty	Description
-	0017-00008-0205	1	5 oz Bottle - Arctic Silver
-	AK58-00226-0000	1	Hardware Bag
-	0K58-01391-0002	1	Rear Roller Guard Left
-	0017-00009-1049	1	Torx Wrench
-	0017-00101-1773	6	Hardware: TORX Screw 0.5"

Scuff Pad and Tinsel



Ref #	Part Number	Qty	Description
-	0017-00101-0975	1	Hardware: Mounting Bolt 0.375"
-	0017-00009-0901	1	Tinsel Extension Spring
-	0K58-01102-0001	1	Anti-Static Tinsel
-	0K58-01376-0000	3	Anti-Scuff Pad

Uprights and Handrails



Ref #	Part Number	Qty	Description
-	0017-00101-1773	6	Hardware: TORX Screw 0.5"
-	0K58-01348-0000	2	Handrail Collar
-	0K58-01396-0000	2	Endcap
-	0K58-01303-0002	1	Top Left Handrail Boot
-	0K58-01304-0001	1	Bottom Right Handrail Boot
-	0K58-01304-0002	1	Bottom Left Handrail Boot
-	0017-00101-1772	2	Hardware: Phillips Pan Screw 0.5"
-	0K58-01303-0001	1	Top Right Handrail Boot
-	0017-00101-1778	6	Hardware: Hex Bolt 1"
-	0017-00042-0326	2	Hardware: Plastic Grommet
-	0017-00103-0327	4	Hardware: Hex Nut 5/16" ID
-	0K58-01302-0103	2	Cap: Upright Tube; Arctic Silver
-	0K58-01305-0002	2	Upright Plug
-	AK58-00256-0001	1	Handrail
-	AK58-00311-0004	1	Upright: Left
-	0017-00104-0325	6	Hardware: Washer 0.873" OD
-	0017-00101-1774	4	Hardware: TORX Screw 2.5"
-	0017-00101-1780	8	Hardware: Mounting Screws
-	AK58-00311-0003	1	Upright: Right
-	0017-00101-1770	6	Hardware: Phillips Pan Screw 0.5"

