

97Ti Treadmill - 4HP AC - Heart Rate

97T-0102-07

Parts Manual

1/5/2019 11:45:00 AM

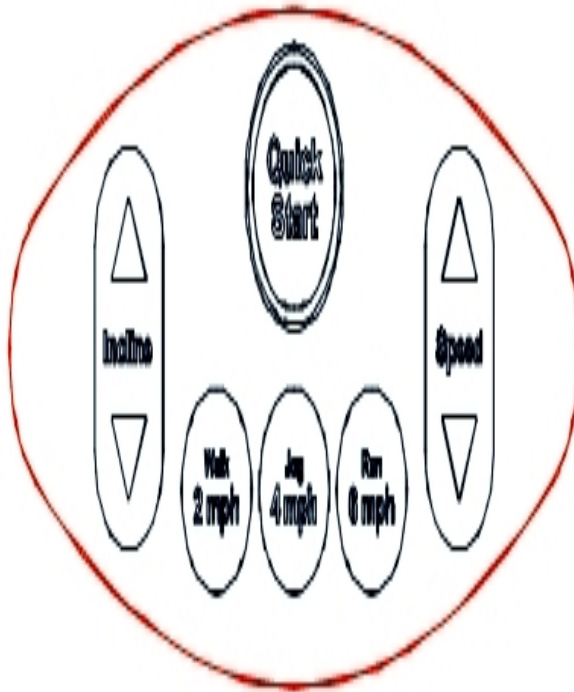


LifeFitness
WHAT WE LIVE FOR

Table of Contents

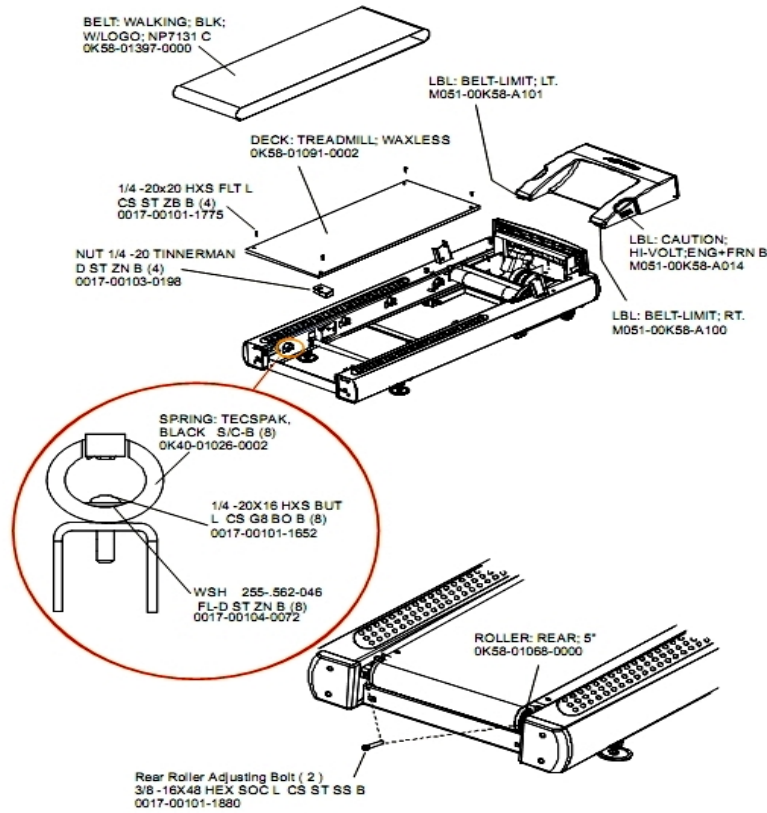
A-Z Module with Overlay Assembly	3
Belt, Deck, and Rear Roller	4
Cables	5
Console Components	7
Console, Overlay Assembly and Overlay	8
Drive Motor Assembly	9
DSP Controller Assembly	10
Ergo Bar, Heart Rate Sensors and Activity Zone	11
Front Roller Assembly	12
Idler Arm Assembly	13
Leg Leveler Assembly	14
Lift Frame and Receptacle Assembly	15
Lift Motor Assembly	16
Miscellaneous	17
Motor Cover, Front Cover and End Caps	19
On/Off Switch, Access Plate and Grommets	20
Optional Line Cords	21
Rear End Caps and Cup Holders	22
Scuff Pad and Tinsel	23
Stride Sensor Assembly and Stride Sensor	24
Uprights and Handrails	25

A-Z Module with Overlay Assembly



Ref #	Part Number	Qty	Description
-	0K58-01459-0002	1	Activity Zone Overlay English/Metric
-	AK58-00555-0002	1	Activity Zone Assembly: English/Metric

Belt, Deck, and Rear Roller



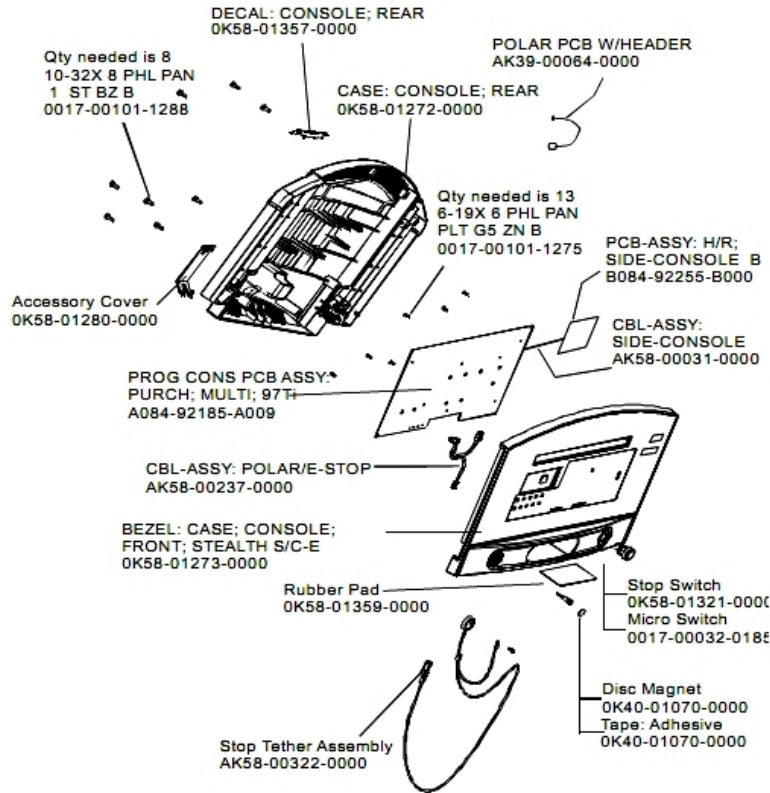
Ref #	Part Number	Qty	Description
-	0017-00101-1775	4	Hardware: Deck Screws 1.25"
-	OK40-01026-0002	8	Deck Spring
-	OK58-01397-0000	1	Striding Belt
-	OK65-01263-0000	1	Deck
-	0017-00103-0198	4	Hardware: Tinnerman Clip 1/4" ID
-	M051-00K58-A101	1	Belt Limit Label. Left
-	M051-00K58-A100	1	Label: Belt Limit: Right
-	OK58-01068-0000	1	Rear Roller - 5"
-	M051-00K58-A014	1	Label: Caution
-	0017-00101-1652	8	Hardware: Spring Mounting Screw 1"
-	0017-00101-1880	2	Hardware: Tension Bolts 3"
-	0017-00104-0072	8	Hardware: Flat Washer 0.562" OD

Cables

Ref #	Part Number	Qty	Description
-	AK58-00524-0000	1	Cable: Thermal Adapter
-	0017-00003-0898	1	10 amp Line Filter (INT)
-	AK58-00597-0000	1	Cable Extension ISO Sensor
-	AK58-00083-0000	1	Cable Assembly
-	AK58-00034-0001	1	Console Power Cable
-	AK58-00598-0000	1	Cable: ISO Power
-	AK58-00210-0000	1	Transformer-Bracket Assembly
-	AK58-00032-0000	1	User Proximity Sensor Cable
-	AK58-00596-0001	1	Power Cable: 230-240V
-	AK58-00224-0001	1	Cable: MOV; Fliter
-	AK58-00083-0001	1	Jumper Cable Assembly: Green/Yellow - 7"
-	AK58-00036-0000	1	Cable-Assembly: Emergency-Stop Switch
-	0017-00003-0626	1	CIRCUIT-BREAKER:2A 200-240V
-	AK58-00027-0000	1	Limit Switch Cable
-	AK58-00081-0000	1	Jumper Cable Assembly: Black - 4"
-	AK58-00263-0000	1	Hi-Pot Jumper Cable
-	AK32-00020-0002	1	Coax Cable: 120"
-	AK58-00522-0000	1	Cable: Jumper; Power; LED Console
-	AK58-00237-0000	1	Cable-Assembly: Polar/E-Stop
-	AK58-00082-0000	1	Jumper Cable Assembly: White - 6"
-	AK60-00009-0001	1	Negative Switch Cable Assembly
-	AK32-00078-0001	1	Power Extension Cable: 120"

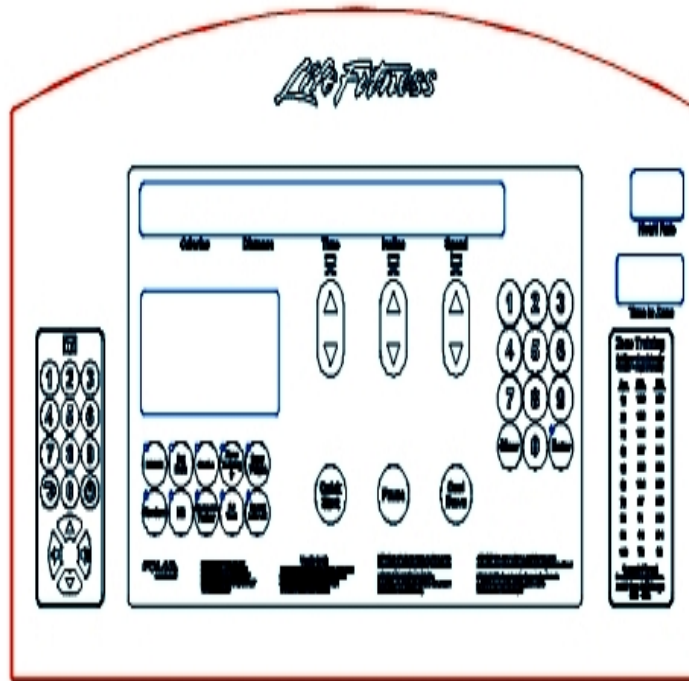
Ref #	Part Number	Qty	Description
-	AK58-00031-0000	1	Side Console Cable Assembly
-	AK58-00041-0001	1	Heart Rate Sensor Cable

Console Components



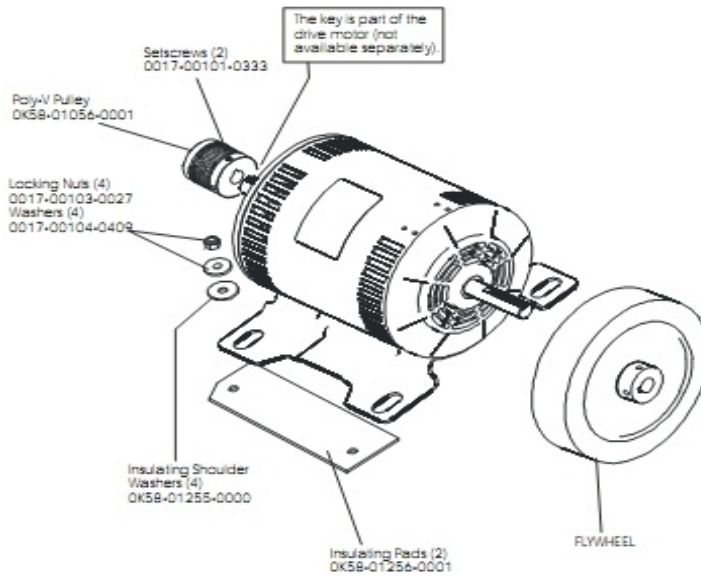
Ref #	Part Number	Qty	Description
-	0K40-01070-0000	2	Magnetic Disk
-	0K58-01321-0000	1	Stop Switch
-	0K58-01272-0000	1	Rear Console Case
-	118E-00001-0259	1	Wireless Receiver Module, Non-Coded
-	0017-00032-0185	1	Micro Switch 150GR
-	B084-92255-B000	1	PCB Assembly
-	AK58-00322-0000	1	Tether Stop Assembly
-	0K58-01359-0000	1	Rubber Pad
-	0K58-01273-0000	1	Front Console Case
-	A084-92185-A009	1	PCB Assembly
-	0K58-01357-0000	1	Decal
-	0017-00101-1288	8	Hardware: Phillips Screw 0.5"
-	0017-00101-1275	13	Hardware: Phillips Screw 0.375"
-	0K58-01280-0000	1	Accessory Cover
-	AK58-00237-0000	1	Cable-Assembly: Polar/E-Stop
-	AK58-00031-0000	1	Side Console Cable Assembly

Console, Overlay Assembly and Overlay



Ref #	Part Number	Qty	Description
-	0K58-01296-0001	1	Overlay - English / Metric
-	AK58-00582-0002	1	Console: English/Metric
-	AK58-00202-0002	1	Overlay Switch Bezel Assembly - English/Metric

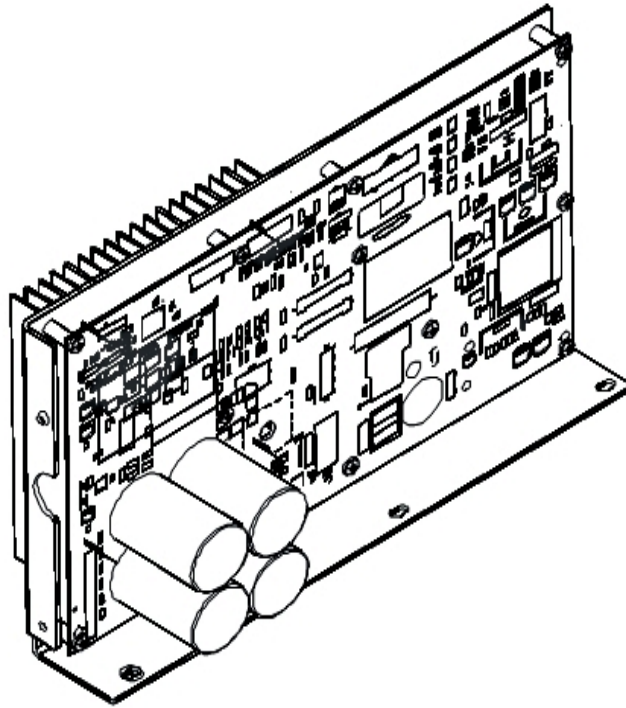
Drive Motor Assembly



Description	Part Nos.	
	S/N TST100000–TST100343	S/N TST100344 and up
Drive Motor Assembly	AK58-00171-0001 (dual cable)	AK58-00171-0002 (tapered shaft)
Cast Iron Flywheel	0K58-01092-0002	0K58-01092-0004
Drive Motor Setscrews/Bolt	0017-00101-0975 (uses setscrews)	0017-00101-1885 (uses bolt)

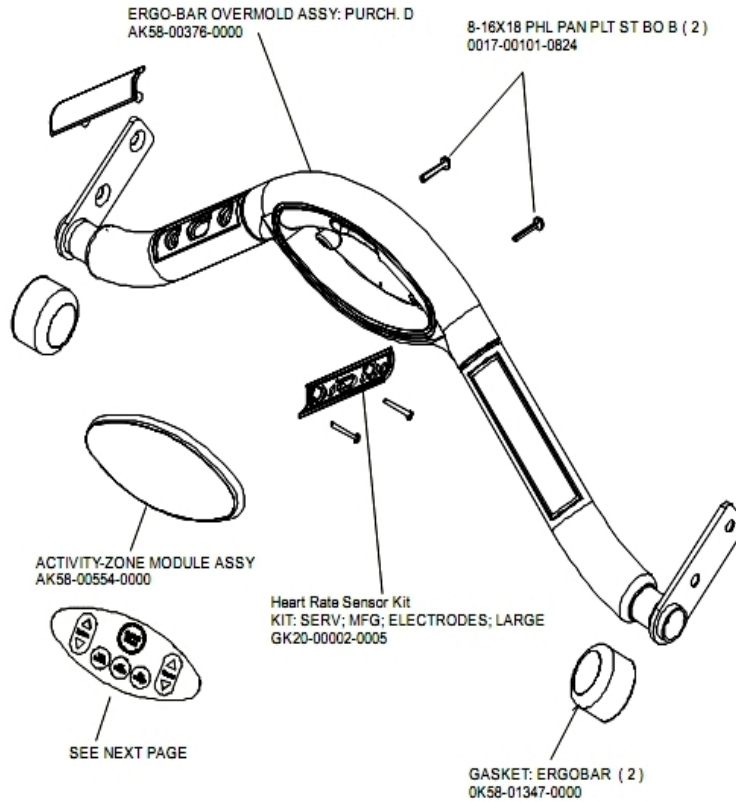
Ref #	Part Number	Qty	Description
-	0017-00101-0975	1	Hardware: Mounting Bolt 0.375"
-	0017-00103-0027	4	Hardware: Locking Nut. 5/16" ID
-	0K58-01092-0002	1	Cast Iron Flywheel
-	0017-00101-1885	1	Hardware: Hex Bolt 1"
-	0017-00104-0409	4	Hardware: Washer 1.125" OD
-	0K58-01092-0004	1	Cast Iron Flywheel
-	0K58-01386-0004	1	MOTOR: MAIN DRIVE, 230V/50HZ, W/TAPER
-	0017-00101-0333	2	Hardware: Screw 0.3125"
-	0K58-01256-0001	2	Insulating Pad
-	AK58-00171-0001	1	Drive Motor Assembly
-	0K58-01255-0000	4	Hardware: Insulating Washers

DSP Controller Assembly



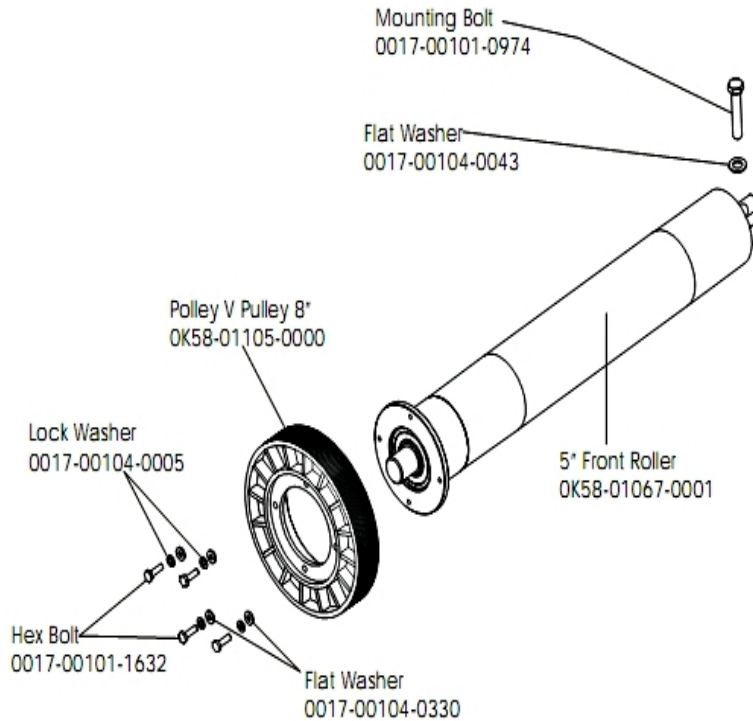
Ref #	Part Number	Qty	Description
-	AK65-00071-0009	1	DSP Controller 200-240

Ergo Bar, Heart Rate Sensors and Activity Zone



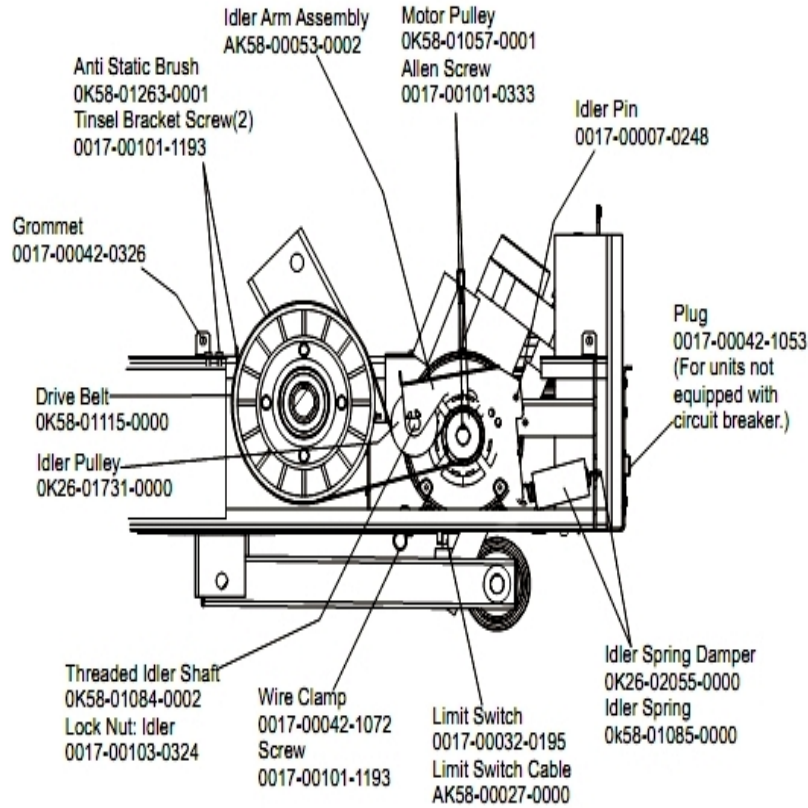
Ref #	Part Number	Qty	Description
-	AK58-00554-0201	1	Activity-Zone Module Assembly: Purchased; Generic Shadow Grey
-	GK20-00002-0005	2	Heart Rate Electrode Kit
-	0017-00101-0824	2	Hardware: Screw 1.125"
-	OK58-01347-0000	2	ErgoBar Gasket
-	AK58-00376-0001	1	Ergo-Bar Overmold Assembly

Front Roller Assembly



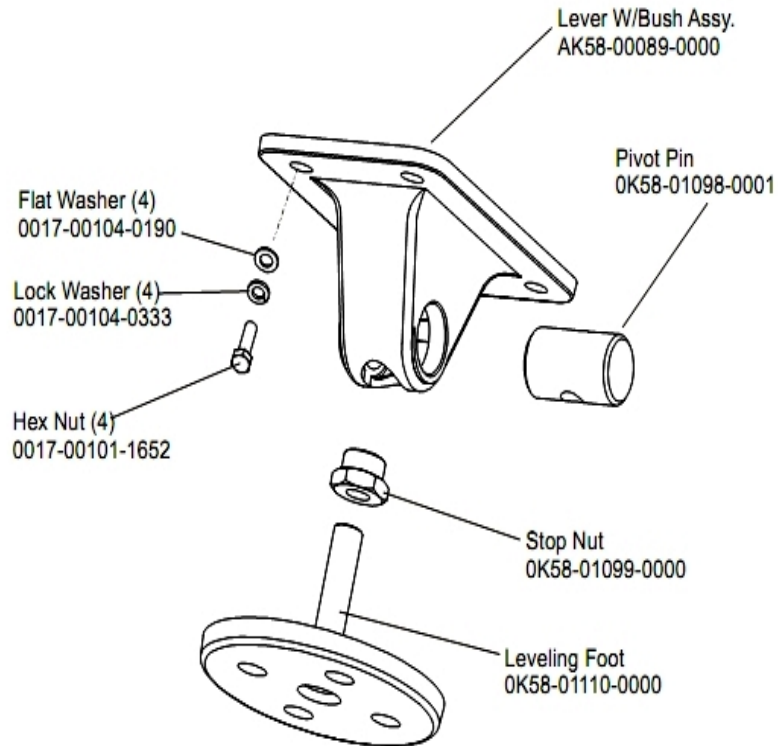
Ref #	Part Number	Qty	Description
-	0017-00101-0974	1	Hardware: Mounting Bolt 2"
-	0017-00104-0330	4	Hardware: Flat Washers 0.562" OD
-	0017-00101-1632	4	Hardware: Hex Bolt 0.875"
-	OK58-01067-0001	1	Front Roller - 5"
-	0017-00104-0043	1	Hardware: Flat Washer 0.734" OD
-	0017-00104-0005	4	Hardware: Lock Washer 0.489" OD
-	AK58-00067-0000	1	Front Roller Assembly
-	OK58-01105-0000	1	Drive Pulley Poly V - 8"

Idler Arm Assembly



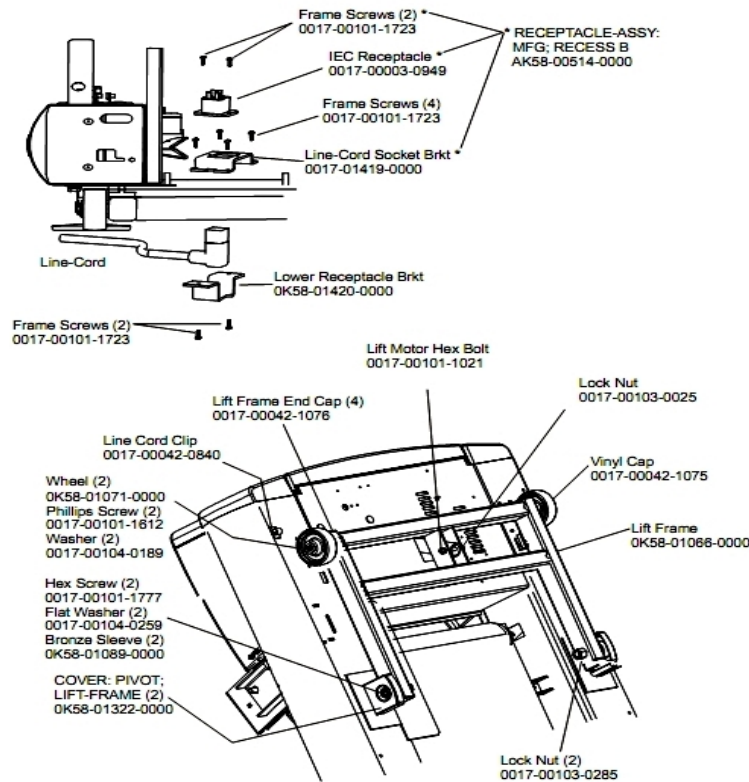
Ref #	Part Number	Qty	Description
-	OK58-01057-0001	1	Drive Pulley - 1.971"
-	OK58-01263-0001	1	Tinsel Bracket
-	0017-00042-1053	1	Plug (For units not equipped with circuit breaker.)
-	0017-00103-0324	1	Hardware: Thin Lock Nut 3/8" ID
-	AK58-00027-0000	1	Limit Switch Cable
-	OK26-01731-0000	1	Plastic Idler 2 5/8" OD
-	OK26-02055-0000	1	Spring Damper
-	0017-00032-0195	1	Home Switch
-	0017-00042-1072	1	Hardware: Wire Clamp - 5/8"
-	OK58-01084-0002	1	Threaded Shaft
-	0017-00007-0248	1	Hardware: Locking Pin .31" D 2.125" L
-	0017-00042-0326	1	Hardware: Plastic Grommet
-	0017-00101-1193	3	Hardware: Screw 0.375"
-	0017-00101-0333	1	Hardware: Screw 0.3125"
-	AK58-00053-0002	1	Idler Arm Assembly
-	OK58-01085-0000	1	Extension Spring
-	GK58-00002-0129	1	KIT: TREADMILL BELT AND PULLEY

Leg Leveler Assembly



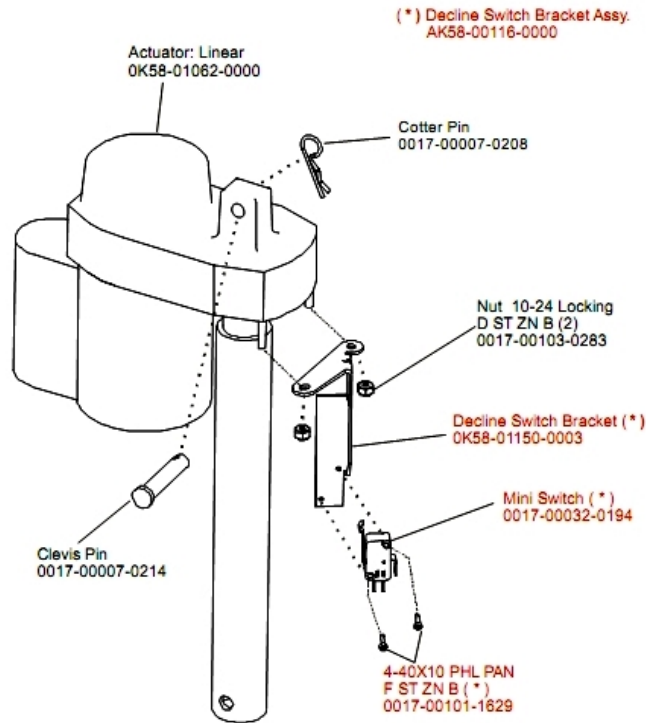
Ref #	Part Number	Qty	Description
-	AK58-00464-0000	2	Leveler Assembly
-	AK58-00089-0000	2	Bracket Leveler
-	OK58-01099-0000	2	Hardware: Stop Nut
-	0017-00104-0333	8	Hardware: Washer 0.683" OD
-	OK58-01098-0001	2	Hardware: Pivot Pin
-	0017-00101-1652	8	Hardware: Spring Mounting Screw 1"
-	0017-00104-0190	8	Hardware: Flat Washer 0.734" OD
-	OK58-01110-0000	2	Leveler Foot

Lift Frame and Receptacle Assembly



Ref #	Part Number	Qty	Description
-	AK58-00220-0000	1	LIFT-FRAME ASSY: MFG. C
-	0K58-01420-0000	1	Lower Receptacle Bracket
-	0K58-01089-0000	2	Bronze Sleeve Bushings
-	0017-00042-0840	1	Hardware: Push Mount Clip
-	0K58-01071-0000	2	Wheel
-	0017-00101-1612	2	Hardware: Phillips Screw 0.5"
-	0017-00042-1075	1	Vinyl Cap
-	0017-00003-0949	1	IEC Receptacle
-	0017-00104-0259	2	Hardware: Washer 1.331" OD
-	0017-00103-0025	1	Hardware: Locking Nut 3/8" ID
-	0017-00101-1021	1	Hardware: Lift Motor Hex Bolt 2.5"
-	AK58-00514-0000	1	Receptacle Assembly
-	0017-00101-1723	8	Hardware: Phillips Pan Screw 0.375"
-	0017-00103-0285	4	Hardware: Nut 5/8" ID
-	0K58-01322-0000	2	Lift Frame Pivot Cover
-	0017-00042-1076	4	Lift Frame End Cap
-	0017-00101-1777	2	Hardware: Lift Frame Mounting Bolt 2.75"
-	0017-00104-0189	2	Hardware: Flat Washer 1" OD
-	0K58-01419-0000	1	Line Cord Socket Bracket

Lift Motor Assembly



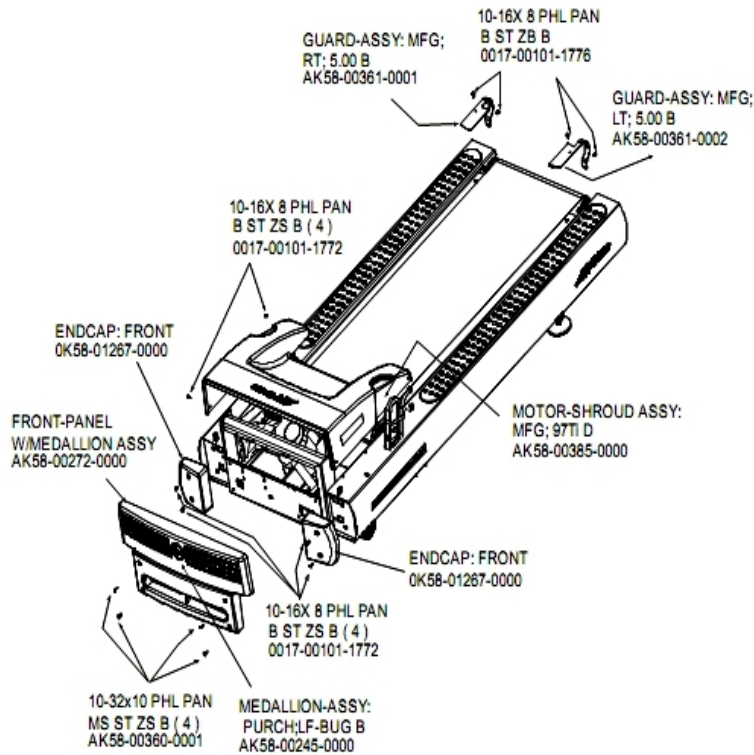
Ref #	Part Number	Qty	Description
-	OK58-01150-0003	1	Decline Switch Bracket
-	0017-00101-1629	4	Hardware: Phillips Pan Screw 0.625"
-	0017-00007-0208	1	Hardware: Cotter Pin
-	0017-00007-0214	1	Hardware: Clevis Pin 3/8" D 1.75" L
-	OK58-01062-0000	1	Lift Motor - 120/60
-	0017-00103-0283	2	Hardware: Locking Nut ID
-	AK58-00075-0000	1	Lift Motor Bracket Assembly
-	AK58-00116-0000	1	Switch Bracket Assembly
-	0017-00032-0194	1	Mini Switch; SPDT

Miscellaneous

Ref #	Part Number	Qty	Description
-	0017-00009-1049	1	Torx Wrench
-	0017-00101-1773	6	Hardware: TORX Screw 0.5"
-	AK58-00226-0000	1	Hardware Bag
-	0017-00008-0205	1	5 oz Bottle - Arctic Silver
-	M051-00K58-B128	1	Service Instructions - Roller Guards
-	0017-00008-0204	1	Paint Spray Can - Arctic Silver
-	0017-00042-0840	5	Hardware: Push Mount Clip
-	0017-00101-1770	6	Hardware: Phillips Pan Screw 0.5"
-	0K58-01376-0000	2	Anti-Scuff Pad
-	0017-00101-1772	6	Hardware: Phillips Pan Screw 0.5"
-	0017-00101-1778	4	Hardware: Hex Bolt 1"
-	0017-00008-0206	1	.33oz Pen - Arctic Silver
-	0017-00042-0326	4	Hardware: Plastic Grommet
-	0017-00042-1147	2	Hardware: Nylon Grommet
-	0017-00103-0327	4	Hardware: Hex Nut 5/16" ID
-	0K58-01305-0002	2	Upright Plug
-	0K58-01347-0000	2	ErgoBar Gasket
-	0017-00008-0210	1	Paint: Shadow-Gray Touch Up: .6 OZ Bottle
-	0017-00101-1776	4	Hardware: Mounting Screw 0.5"
-	0017-00104-0325	4	Hardware: Washer 0.873" OD
-	GK58-00002-0096	1	Roller Guard kit
-	0017-00008-0211	1	Paint: Shadow-Gray Touch Up: .6 OZ Bottle

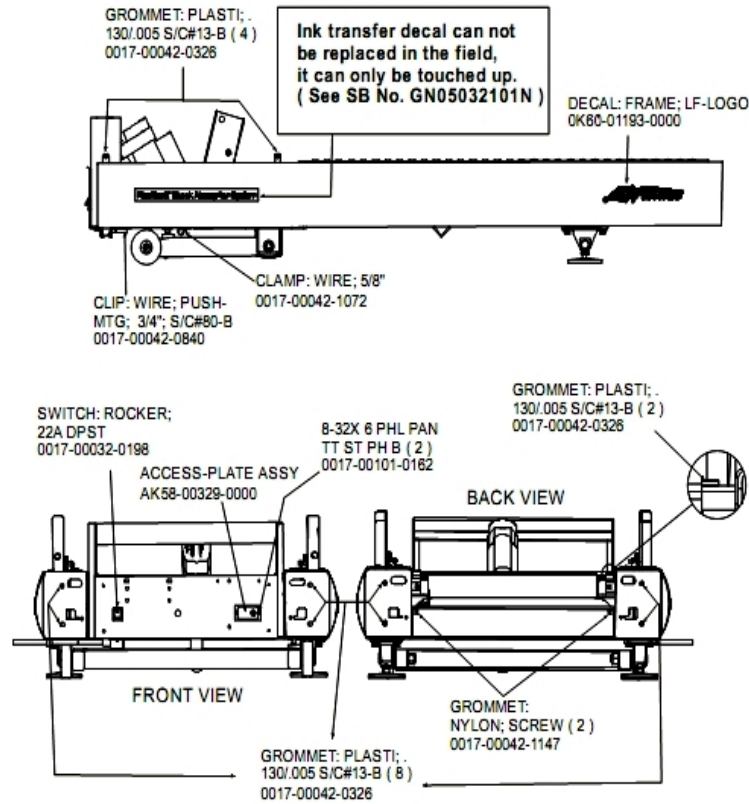
Ref #	Part Number	Qty	Description
-	0017-00101-1774	4	Hardware: TORX Screw 2.5"
-	0017-00101-1780	8	Hardware: Mounting Screws
-	0K58-01391-0001	1	Rear Roller Guard Right
-	0K58-01391-0002	1	Rear Roller Guard Left

Motor Cover, Front Cover and End Caps



Ref #	Part Number	Qty	Description
-	AK58-00360-0001	1	Rear Roller Guard: Right
-	AK58-00385-0000	1	Motor Cover
-	AK58-01391-0001	1	Rear Roller Guard Right
-	AK58-00272-0000	1	Front Panel with Medallion
-	0017-00101-1776	1	Hardware: Mounting Screw 0.5"
-	0K58-01267-0000	1	End Cap
-	AK58-01391-0002	1	Rear Roller Guard Left
-	AK58-00245-0000	1	Bug Medallion
-	0017-00101-1772	2	Hardware: Phillips Pan Screw 0.5"

On/Off Switch, Access Plate and Grommets

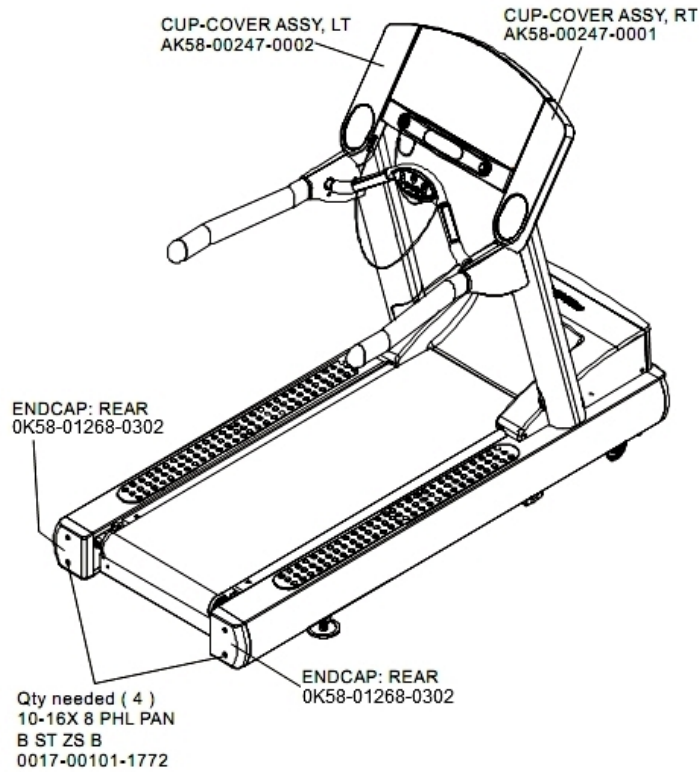


Ref #	Part Number	Qty	Description
-	OK60-01193-0000	2	Decal: LF Logo
-	AK58-00329-0000	1	Access Panel Assembly
-	0017-00042-0840	1	Hardware: Push Mount Clip
-	0017-00101-0162	2	Hardware: Screw 0.375"
-	0017-00042-1147	2	Hardware: Nylon Grommet
-	0017-00042-0326	14	Hardware: Plastic Grommet
-	0017-00032-0198	1	On/Off Switch 22A
-	0017-00042-1072	1	Hardware: Wire Clamp - 5/8"

Optional Line Cords

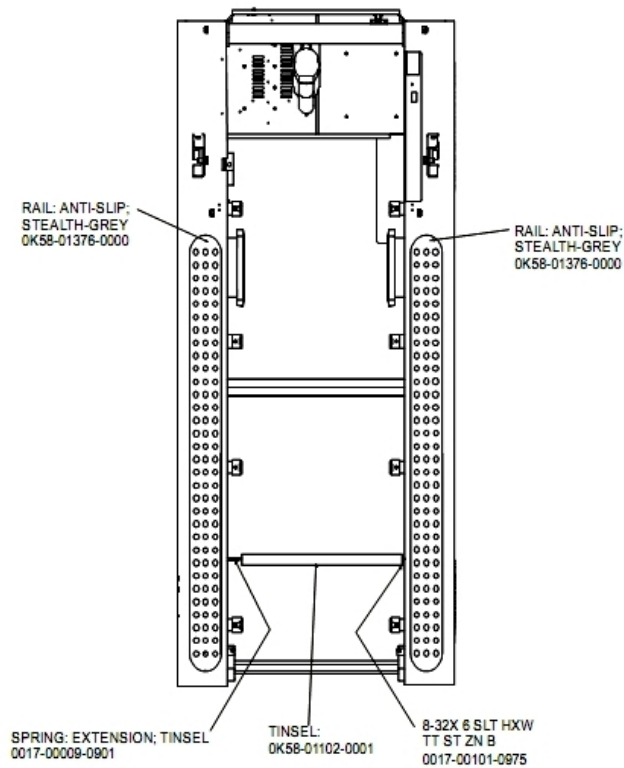
Ref #	Part Number	Qty	Description
-	0017-00003-0890	1	Line Cord: UK
-	0017-00003-0981	1	LINE-CORD: R/A; with PLUG 220/60 7.5'
-	0017-00003-0980	1	Line Cord: US Low Voltage 144"
-	0017-00003-0948	1	12' 220v Line Cord

Rear End Caps and Cup Holders



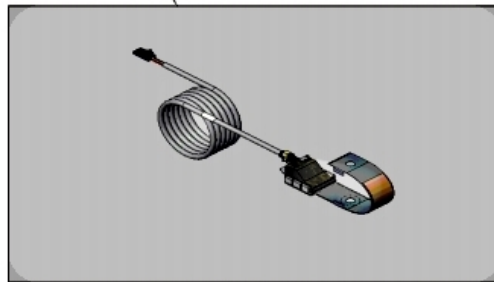
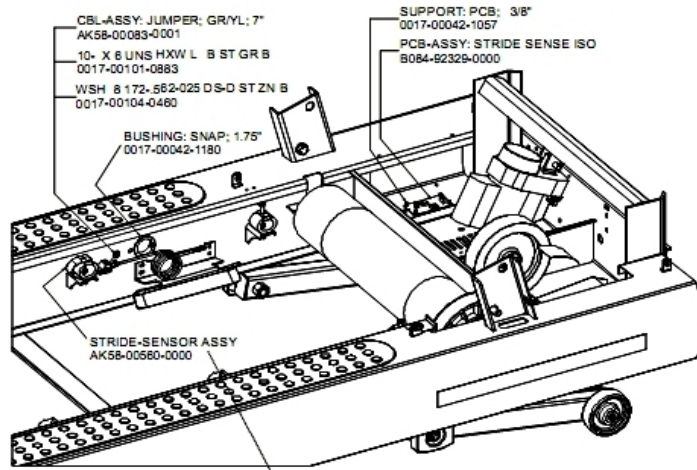
Ref #	Part Number	Qty	Description
-	AK58-00247-0001	1	Cup Holder Right
-	OK58-01268-0302	2	ENDCAP: REAR; STEALTH D
-	0017-00101-1772	1	Hardware: Phillips Pan Screw 0.5"
-	AK58-00247-0002	1	Cup Holder Left

Scuff Pad and Tinsel



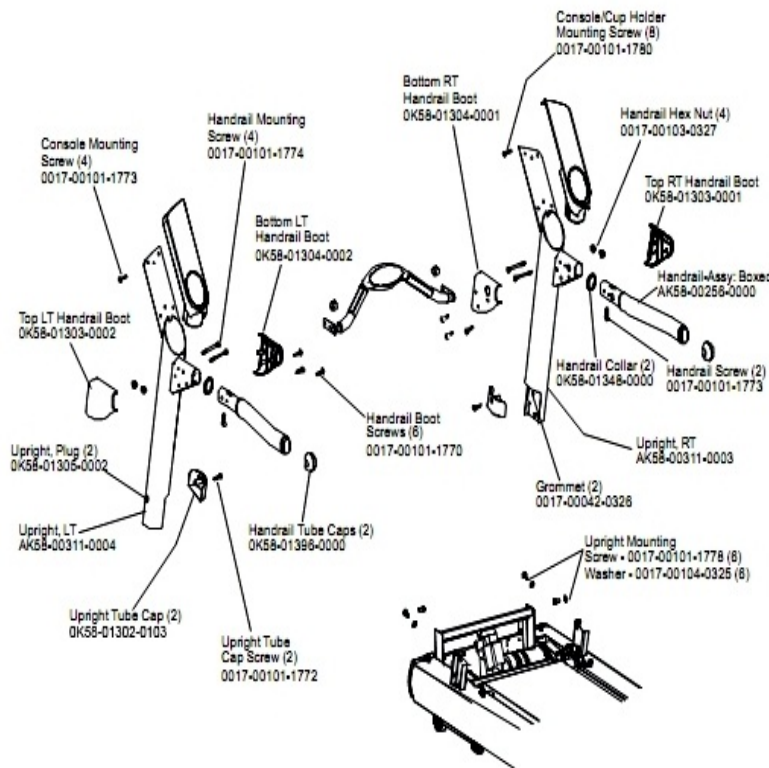
Ref #	Part Number	Qty	Description
-	0017-00101-0975	1	Hardware: Mounting Bolt 0.375"
-	0K58-01102-0001	1	Anti-Static Tinsel
-	0017-00009-0901	1	Tinsel Extension Spring
-	0K58-01376-0000	2	Anti-Scuff Pad

Stride Sensor Assembly and Stride Sensor



Ref #	Part Number	Qty	Description
-	AK58-00560-0000	1	Stride Sensor Assembly
-	0017-00042-1057	1	Support: Printed Circuit Board; 3/8"
-	B084-92329-0000	1	PCB-ASSY: STRIDE SENSE ISO
-	0017-00042-1180	1	Hardware: Snap Bushing - 1.75"

Uprights and Handrails



Ref #	Part Number	Qty	Description
-	0K58-01303-0002	1	Top Left Handrail Boot
-	0K58-01396-0000	2	Endcap
-	0017-00101-1770	6	Hardware: Phillips Pan Screw 0.5"
-	0K58-01304-0001	1	Bottom Right Handrail Boot
-	0K58-01304-0002	1	Bottom Left Handrail Boot
-	0017-00101-1772	2	Hardware: Phillips Pan Screw 0.5"
-	AK58-00311-0003	1	Upright: Right
-	0017-00101-1780	8	Hardware: Mounting Screws
-	AK58-00311-0004	1	Upright: Left
-	AK58-00256-0001	1	Handrail
-	0K58-01305-0002	2	Upright Plug
-	0K58-01302-0103	2	Cap: Upright Tube; Arctic Silver
-	0017-00103-0327	4	Hardware: Hex Nut 5/16" ID
-	0017-00042-0326	2	Hardware: Plastic Grommet
-	0017-00101-1773	6	Hardware: TORX Screw 0.5"
-	0017-00101-1774	4	Hardware: TORX Screw 2.5"
-	0017-00101-1778	1	Hardware: Hex Bolt 1"
-	0K58-01303-0001	1	Top Right Handrail Boot
-	0K58-01348-0000	2	Handrail Collar
-	0017-00104-0325	6	Hardware: Washer 0.873" OD

