

97Ti Treadmill - 4HP AC - Lifepulse - Decline

97T-0103-01

Parts Manual

1/5/2019 11:45:00 AM

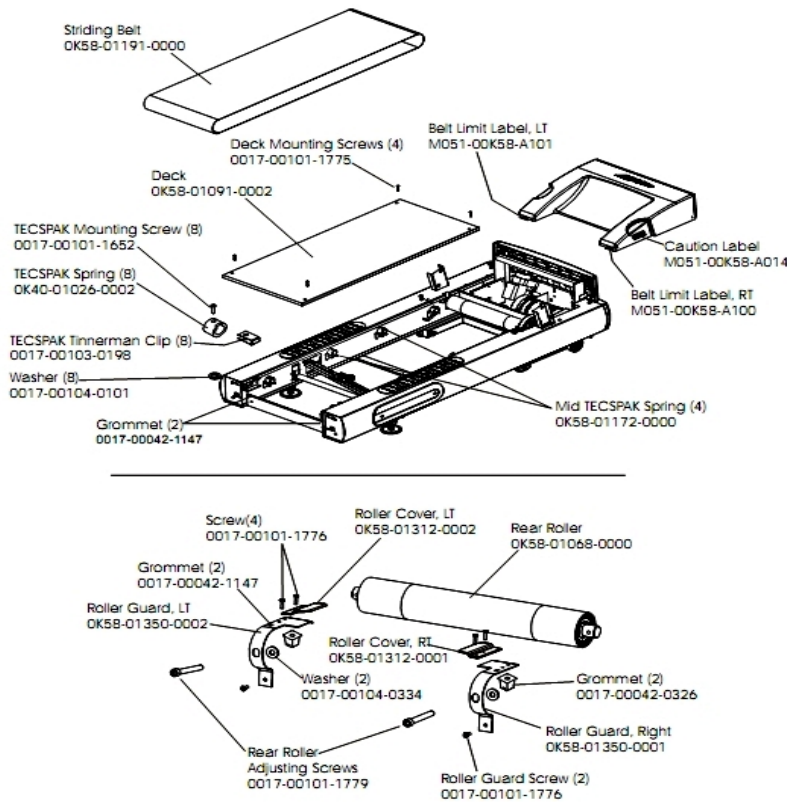


LifeFitness
WHAT WE LIVE FOR

Table of Contents

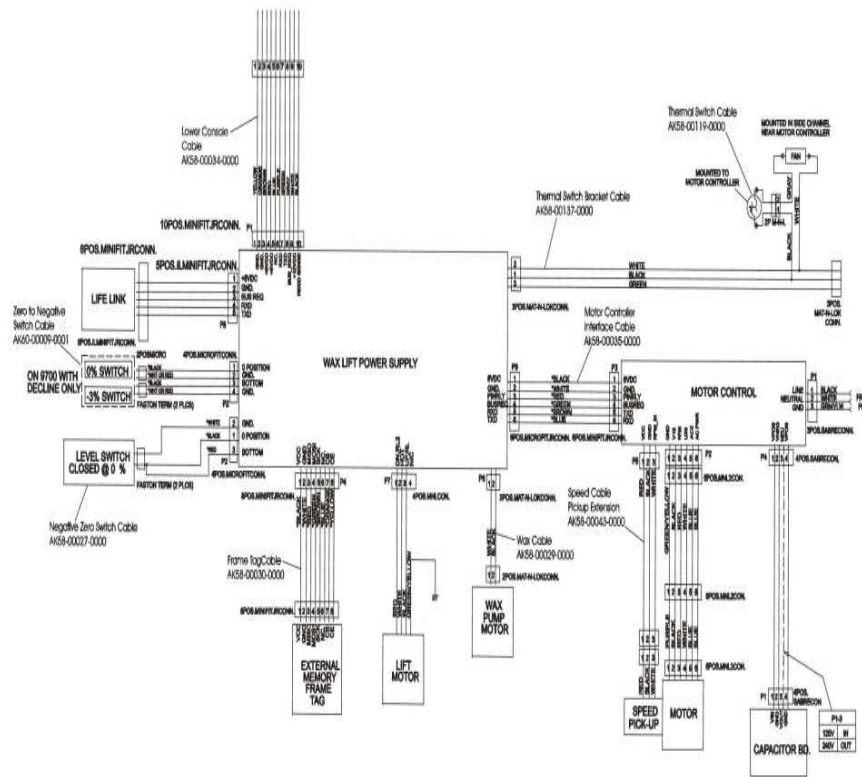
Belt, Deck, and Rear Roller.....	3
Cables.....	4
Console Assembly.....	5
Covers, End Caps and Hardware.....	6
Drive Motor Assembly.....	7
Ergo Bar with Lifepulse.....	8
Frame Assembly.....	9
Front Roller Assembly.....	10
General Assembly.....	11
Handrail Assembly.....	12
Idler Arm Assembly.....	13
Leveler Assembly.....	14
Lift Motor and Frame.....	15
Power Components.....	17
Unlabeled Parts.....	18
Wax Components.....	19
Wax/Lift and Motor Controller Assembly.....	20

Belt, Deck, and Rear Roller



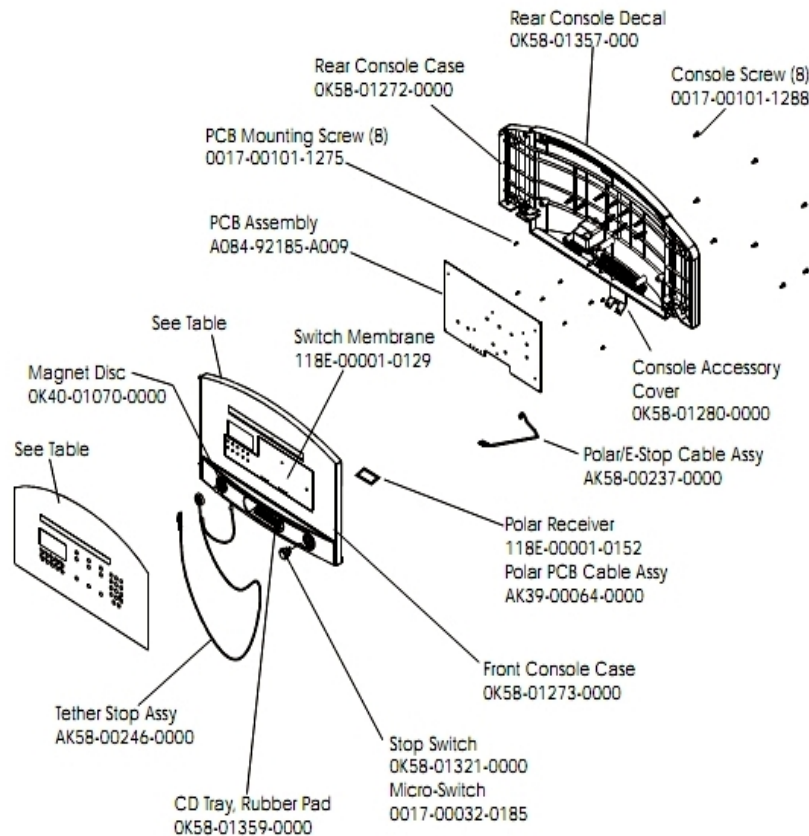
Ref #	Part Number	Qty	Description
-	0017-00101-1775	4	Hardware: Deck Screws 1.25"
-	GK58-00002-0096	2	Roller Guard kit
-	OK65-01263-0000	1	Deck
-	0017-00103-0198	8	Hardware: Tinnerman Clip 1/4" ID
-	OK58-01312-0002	1	Roller Cover Left
-	M051-00K58-A100	1	Label: Belt Limit: Right
-	0017-00101-1779	2	Hardware: Rear Roller Adjusting Bolt
-	M051-00K58-A104	1	Belt Limit Label. Right
-	OK58-01191-0000	1	Striding Belt
-	OK58-01172-0000	4	TECSPA Spring
-	0017-00104-0101	8	Hardware: Flat Washer 0.437" OD
-	OK58-01068-0000	1	Rear Roller - 5"
-	OK58-01312-0001	1	Roller Cover Right
-	0017-00042-0326	2	Hardware: Plastic Grommet
-	0017-00042-1147	4	Hardware: Nylon Grommet
-	0017-00101-1652	8	Hardware: Spring Mounting Screw 1"
-	0017-00104-0334	2	Hardware: Flat Washers 0.880" OD
-	0017-00101-1776	6	Hardware: Mounting Screw 0.5"
-	OK40-01026-0002	8	Deck Spring

Cables



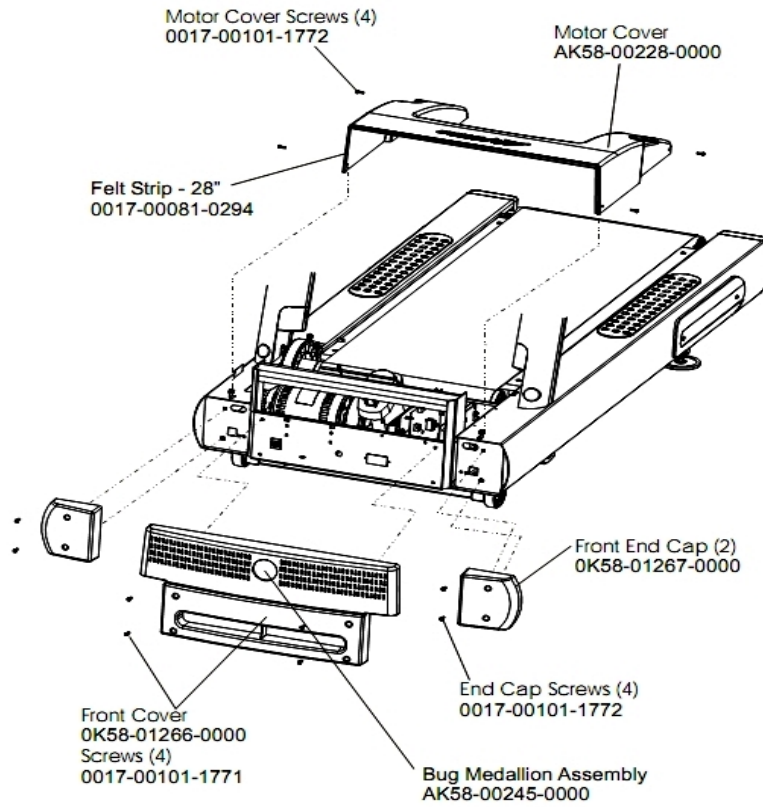
Ref #	Part Number	Qty	Description
-	AK60-00009-0001	1	Negative Switch Cable Assembly
-	AK58-00140-0000	1	Thermal Switch Assembly
-	AK58-00029-0000	1	Wax Pump Cable
-	AK58-00119-0000	1	Thermal Switch
-	AK58-00030-0000	1	Frame Tag Cable
-	AK58-00035-0000	1	Motor Controller Interface Cable
-	AK58-00043-0000	1	Speed Sensor Cable
-	AK58-00034-0000	1	Console Cable
-	AK58-00027-0000	1	Limit Switch Cable

Console Assembly



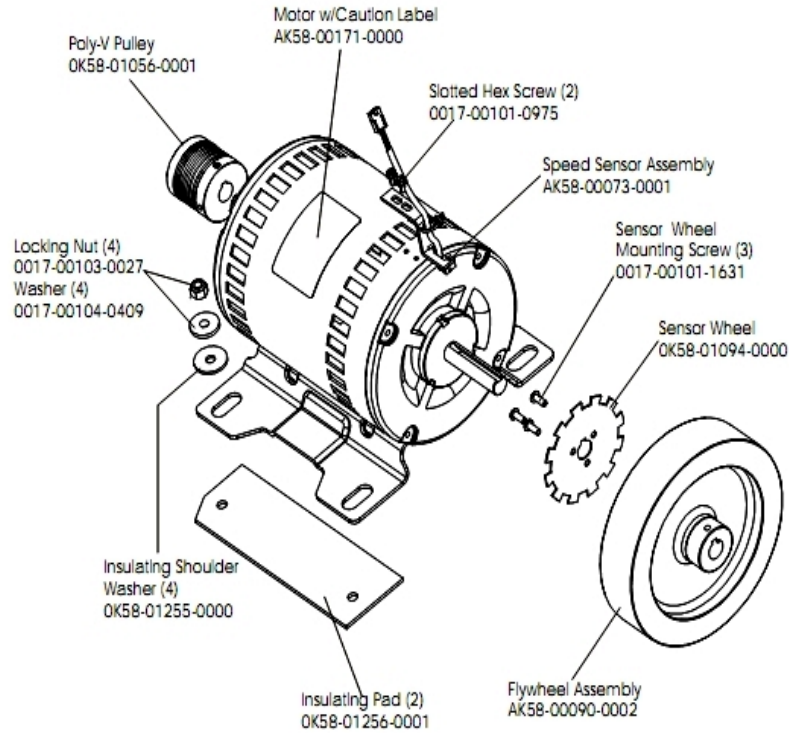
Ref #	Part Number	Qty	Description
-	OK40-01070-0000	1	Magnetic Disk
-	118E-00001-0259	1	Wireless Receiver Module, Non-Coded
-	AK58-00196-0001	1	Console Assembly - English/Metric
-	OK58-01359-0000	1	Rubber Pad
-	OK58-01273-0000	1	Front Console Case
-	AK58-00237-0000	1	Cable-Assembly: Polar/E-Stop
-	118E-00001-0244	1	Heart Rate Receiver
-	OK58-01296-0001	1	Overlay - English / Metric
-	AK58-00202-0001	1	Overlay Switch Bezel Assembly - English/European
-	118E-00001-0129	1	Switch Membrane
-	OK58-01321-0000	1	Stop Switch
-	AK58-00322-0000	1	Tether Stop Assembly
-	A084-92185-A009	1	PCB Assembly
-	OK58-01272-0000	1	Rear Console Case
-	OK58-01357-0000	1	Decal
-	0017-00101-1288	8	Hardware: Phillips Screw 0.5"
-	0017-00101-1275	8	Hardware: Phillips Screw 0.375"
-	OK58-01280-0000	1	Accessory Cover
-	0017-00032-0185	1	Micro Switch 150GR

Covers, End Caps and Hardware



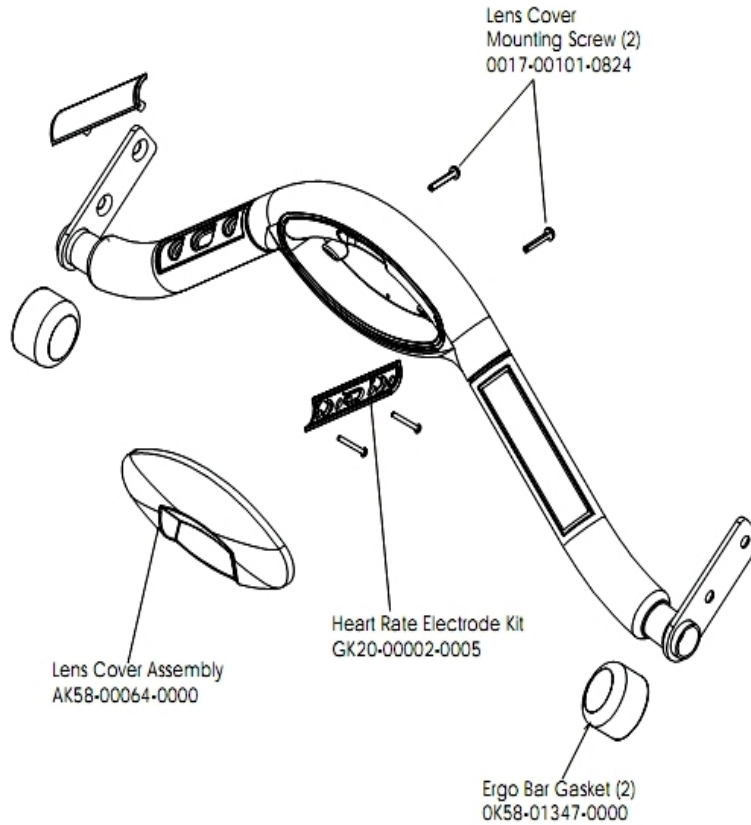
Ref #	Part Number	Qty	Description
-	0017-00101-1772	8	Hardware: Phillips Pan Screw 0.5"
-	0K58-01267-0000	2	End Cap
-	0017-00101-1771	4	Hardware: Phillips Pan Screw
-	0K58-01266-0000	1	Front Cover
-	0017-00081-0294	1	Felt Strip - 28"
-	AK58-00228-0000	1	Motor Cover
-	AK58-00245-0000	1	Bug Medallion

Drive Motor Assembly



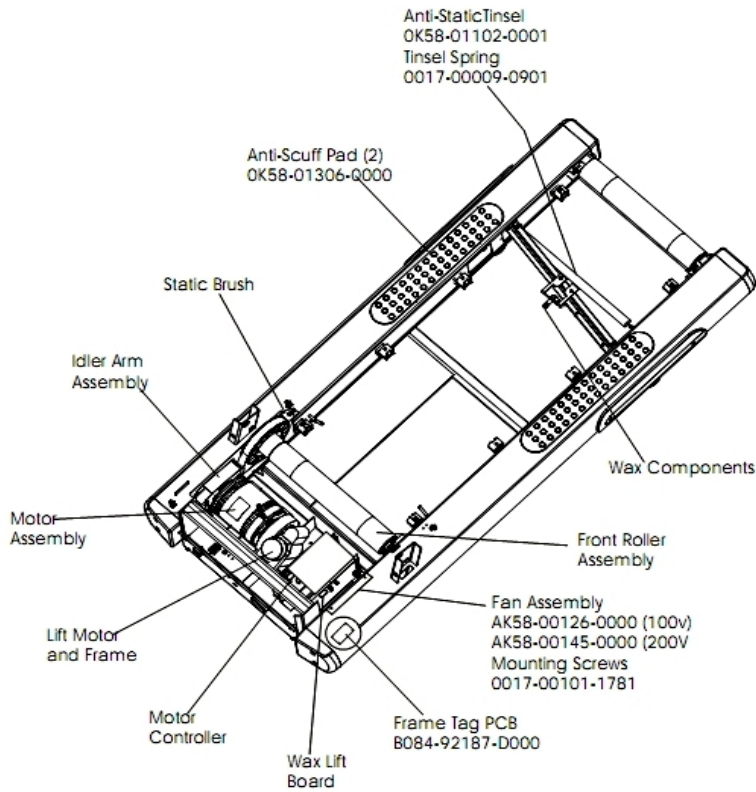
Ref #	Part Number	Qty	Description
-	0017-00101-0975	2	Hardware: Mounting Bolt 0.375"
-	0017-00103-0027	4	Hardware: Locking Nut. 5/16" ID
-	AK58-00171-0000	1	Motor with Caution Label
-	OK58-01255-0000	4	Hardware: Insulating Washers
-	0017-00104-0409	4	Hardware: Washer 1.125" OD
-	OK58-01094-0000	1	Sensor Wheel
-	AK58-00090-0002	1	Flywheel Assembly
-	OK58-01256-0001	2	Insulating Pad
-	0017-00101-1631	3	Hardware: Sensor Wheel Mounting Screw
-	AK58-00073-0001	1	Speed Sensor Assembly

Ergo Bar with Lifepulse



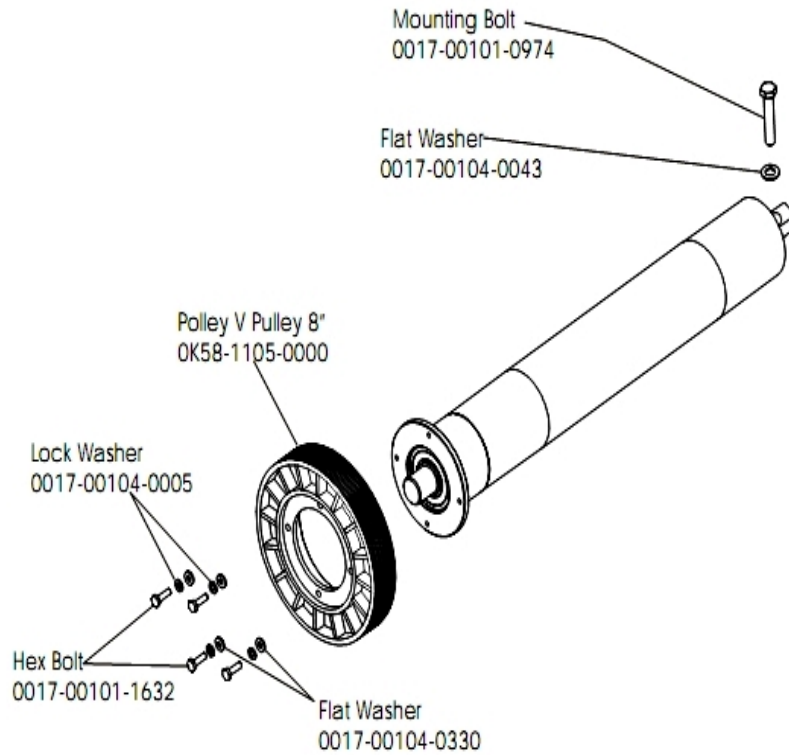
Ref #	Part Number	Qty	Description
-	AK58-00064-0000	1	I/R Lens Cover Assembly
-	0017-00101-0824	2	Hardware: Screw 1.125"
-	OK58-01347-0000	2	ErgoBar Gasket
-	GK20-00002-0005	2	Heart Rate Electrode Kit

Frame Assembly



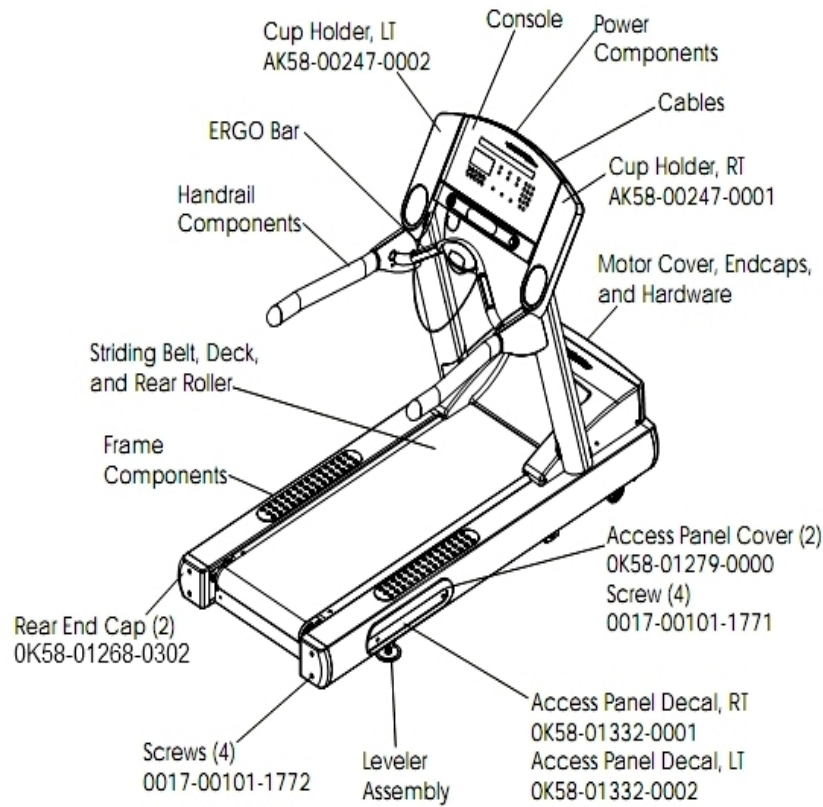
Ref #	Part Number	Qty	Description
-	AK58-00145-0000	1	Fan Assembly (200v)
-	0017-00009-0901	1	Tinsel Extension Spring
-	OK58-01102-0001	1	Anti-Static Tinsel
-	0017-00101-1781	1	Hardware: Phillips Pan Screw 0.5"
-	OK58-01376-0000	2	Anti-Scuff Pad
-	B084-92187-D000	1	Frame Tag PCB

Front Roller Assembly



Ref #	Part Number	Qty	Description
-	0017-00104-0005	4	Hardware: Lock Washer 0.489" OD
-	0017-00104-0043	1	Hardware: Flat Washer 0.734" OD
-	0K58-01105-0000	1	Drive Pulley Poly V - 8"
-	AK58-00067-0000	1	Front Roller Assembly
-	0017-00104-0330	4	Hardware: Flat Washers 0.562" OD
-	0017-00101-0974	1	Hardware: Mounting Bolt 2"
-	0017-00101-1632	4	Hardware: Hex Bolt 0.875"

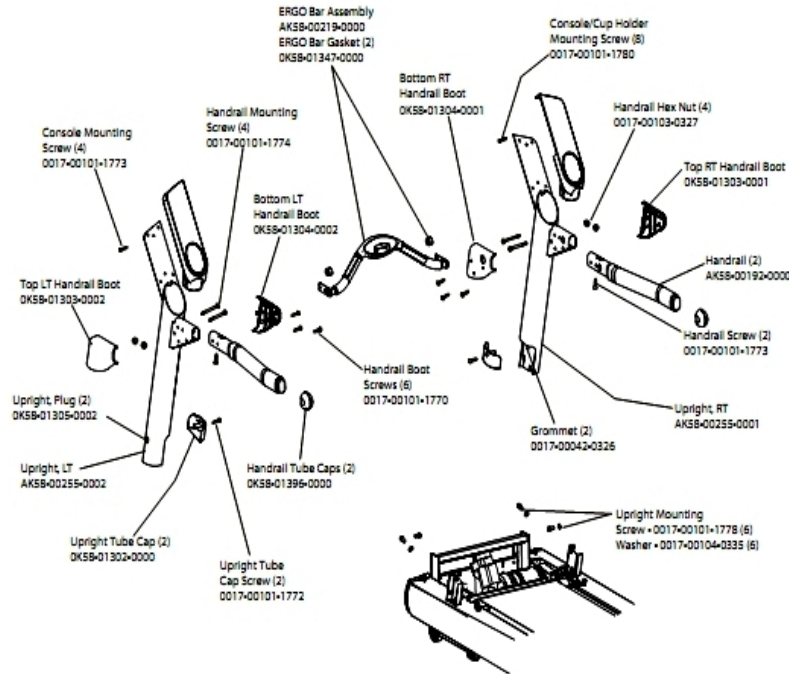
General Assembly



Ref #	Part Number	Qty	Description
-	OK58-01332-0001	1	Access Panel Decal Right
-	OK58-01332-0002	1	Access Panel Decal Left
-	0017-00008-0197	1	Paint: Silver Bullet; 4.5OZ. Can
-	0017-00008-0199	1	Paint: Stealth Grey; 4.5OZ. Can
-	OK58-01268-0302	2	ENDCAP: REAR; STEALTH D
-	OK58-01279-0000	2	Access Panel Cover
-	0017-00008-0196	1	Paint: Silver Bullet; .6OZ. Bottle
-	AK58-00247-0002	1	Cup Holder Left
-	0017-00008-0198	1	Paint: Stealth Grey; .6OZ. Bottle B
-	0017-00101-1771	4	Hardware: Phillips Pan Screw
-	AK58-00247-0001	1	Cup Holder Right
-	0017-00101-1772	4	Hardware: Phillips Pan Screw 0.5"

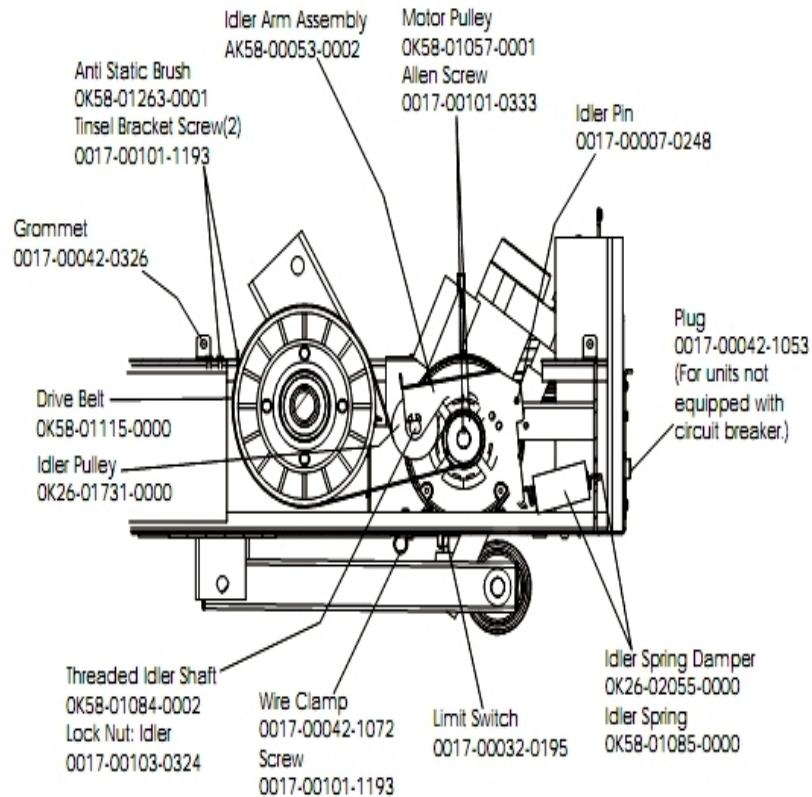
Handrail Assembly

Hardware Bag Assembly AK58-00226-0000



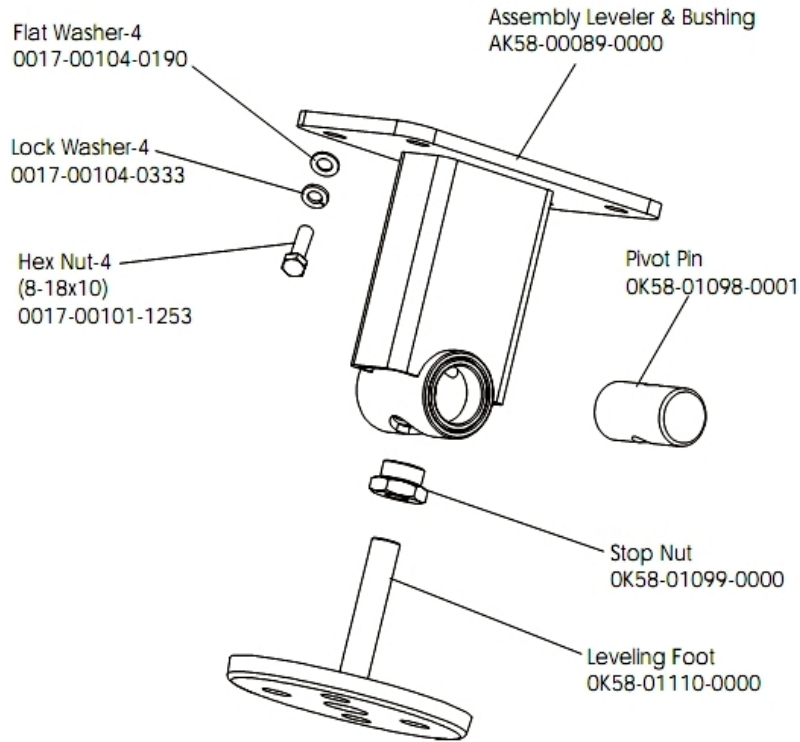
Ref #	Part Number	Qty	Description
-	0017-00101-1773	6	Hardware: TORX Screw 0.5"
-	AK58-00311-0003	1	Upright: Right
-	0017-00101-1770	6	Hardware: Phillips Pan Screw 0.5"
-	OK58-01396-0000	2	Endcap
-	OK58-01303-0002	1	Top Left Handrail Boot
-	OK58-01304-0001	1	Bottom Right Handrail Boot
-	OK58-01304-0002	1	Bottom Left Handrail Boot
-	AK58-00219-0000	1	Ergo Bar with Heart Rate Sensors
-	0017-00101-1772	2	Hardware: Phillips Pan Screw 0.5"
-	OK58-01303-0001	1	Top Right Handrail Boot
-	0017-00101-1778	1	Hardware: Hex Bolt 1"
-	0017-00042-0326	2	Hardware: Plastic Grommet
-	0017-00103-0327	4	Hardware: Hex Nut 5/16" ID
-	OK58-01302-0103	2	Cap: Upright Tube; Arctic Silver
-	OK58-01305-0002	2	Upright Plug
-	AK58-00256-0001	2	Handrail
-	AK58-00311-0004	1	Upright: Left
-	OK58-01347-0000	2	ErgoBar Gasket
-	0017-00101-1774	4	Hardware: TORX Screw 2.5"
-	0017-00101-1780	8	Hardware: Mounting Screws
-	0017-00104-0335	1	Hardware: Handrail Washer
-	AK58-00226-0000	1	Hardware Bag

Idler Arm Assembly



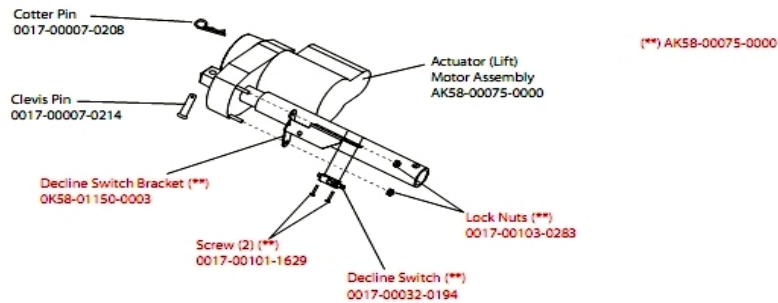
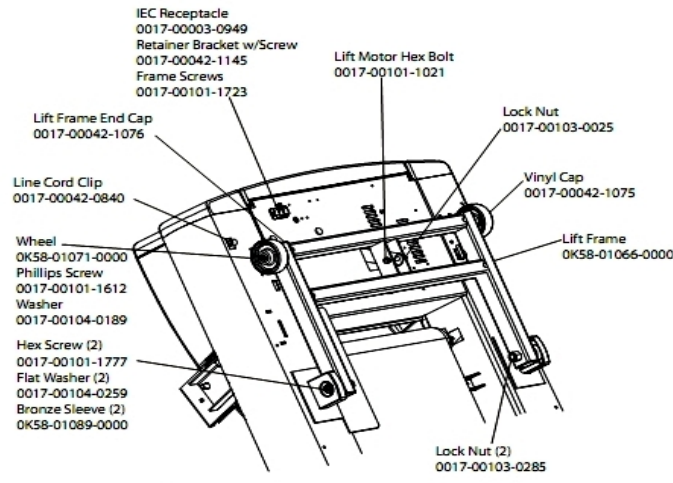
Ref #	Part Number	Qty	Description
-	OK58-01057-0001	1	Drive Pulley - 1.971"
-	OK58-01263-0001	1	Tinsel Bracket
-	0017-00042-1053	1	Plug (For units not equipped with circuit breaker.)
-	0017-00103-0324	1	Hardware: Thin Lock Nut 3/8" ID
-	OK26-01731-0000	1	Plastic Idler 2 5/8" OD
-	OK26-02055-0000	1	Spring Damper
-	0017-00032-0195	1	Home Switch
-	0017-00042-1072	1	Hardware: Wire Clamp - 5/8"
-	OK58-01084-0002	1	Threaded Shaft
-	0017-00007-0248	1	Hardware: Locking Pin .31" D 2.125" L
-	0017-00042-0326	1	Hardware: Plastic Grommet
-	0017-00101-1193	3	Hardware: Screw 0.375"
-	0017-00101-0333	1	Hardware: Screw 0.3125"
-	AK58-00053-0002	1	Idler Arm Assembly
-	OK58-01085-0000	1	Extension Spring
-	GK58-00002-0129	1	KIT: TREADMILL BELT AND PULLEY

Leveler Assembly



Ref #	Part Number	Qty	Description
-	0017-00104-0190	8	Hardware: Flat Washer 0.734" OD
-	AK58-00089-0000	2	Bracket Leveler
-	AK58-00370-0000	2	Leveler Assembly
-	OK58-01098-0001	2	Hardware: Pivot Pin
-	OK58-01110-0000	2	Leveler Foot
-	0017-00104-0333	8	Hardware: Washer 0.683" OD
-	0017-00101-1253	8	Hardware: Screw
-	OK58-01099-0000	2	Hardware: Stop Nut

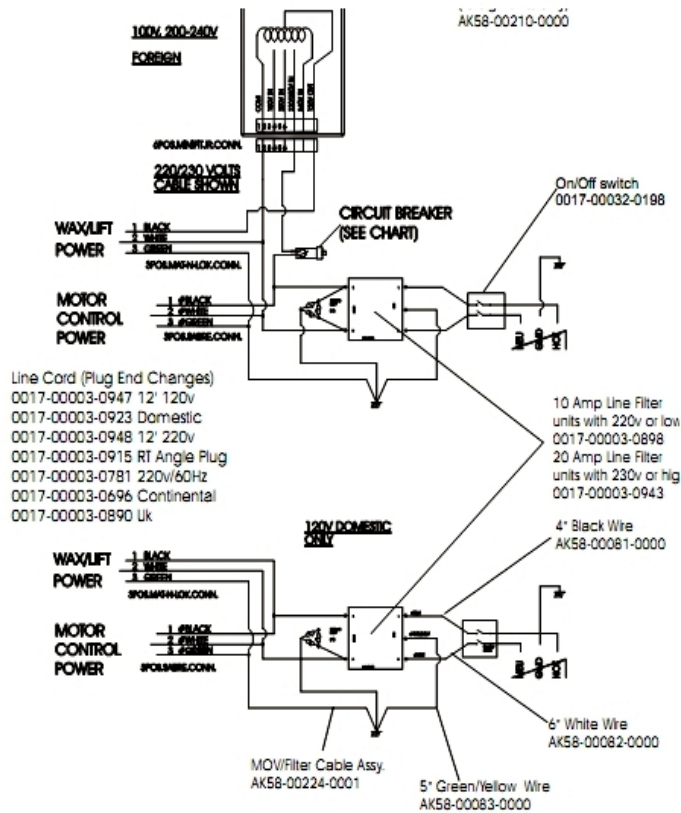
Lift Motor and Frame



Ref #	Part Number	Qty	Description
-	0017-00007-0208	1	Hardware: Cotter Pin
-	0017-00101-1621	2	Hardware: Phillips Screw 0.5"
-	0017-00101-1629	2	Hardware: Phillips Pan Screw 0.625"
-	0017-00101-1777	2	Hardware: Lift Frame Mounting Bolt 2.75"
-	0017-00104-0189	2	Hardware: Flat Washer 1" OD
-	0K58-01150-0003	1	Decline Switch Bracket
-	0017-00103-0285	2	Hardware: Nut 5/8" ID
-	0017-00101-1723	1	Hardware: Phillips Pan Screw 0.375"
-	0017-00032-0194	1	Mini Switch; SPDT
-	0017-00042-1145	1	Power Cord Retainer
-	0017-00101-1021	1	Hardware: Lift Motor Hex Bolt 2.5"
-	0017-00103-0025	1	Hardware: Locking Nut 3/8" ID
-	0017-00104-0259	2	Hardware: Washer 1.331" OD
-	0017-00003-0949	1	IEC Receptacle
-	0017-00042-1076	1	Lift Frame End Cap
-	AK58-00220-0000	1	LIFT-FRAME ASSY: MFG. C
-	AK58-00075-0000	2	Lift Motor Bracket Assembly
-	0K58-01089-0000	2	Bronze Sleeve Bushings
-	0017-00042-0840	1	Hardware: Push Mount Clip
-	0K58-01071-0000	2	Wheel
-	0017-00042-1075	1	Vinyl Cap
-	0017-00103-0283	1	Hardware: Locking Nut ID

Ref #	Part Number	Qty	Description
-	0017-00007-0214	1	Hardware: Clevis Pin 3/8" D 1.75" L

Power Components

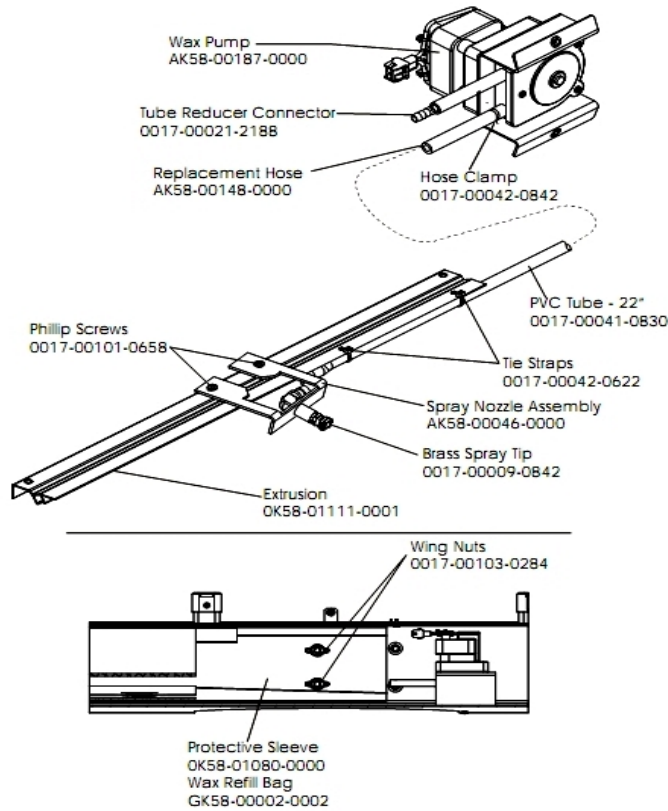


Ref #	Part Number	Qty	Description
-	AK58-00258-0007	1	Cable-Assembly: Power; 220-230V S/C#2-D
-	0017-00003-0974	1	Line Cord: 120V: 8'
-	AK58-00081-0000	1	Jumper Cable Assembly: Black - 4"
-	0017-00003-0626	1	CIRCUIT-BREAKER:2A 200-240V
-	AK58-00224-0001	1	Cable: MOV; Fliter
-	0017-00032-0198	1	On/Off Switch 22A
-	AK58-00210-0000	1	Transformer-Bracket Assembly
-	0017-00003-0781	1	Line Cord: US High Voltage
-	0017-00003-0915	1	Line Cord RT Angle Plug
-	AK58-00083-0000	1	Cable Assembly
-	AK58-00258-0003	1	Power Cable 220/230v
-	0017-00003-0898	1	10 amp Line Filter (INT)
-	AK58-00082-0000	1	Jumper Cable Assembly: White - 6"

Unlabeled Parts

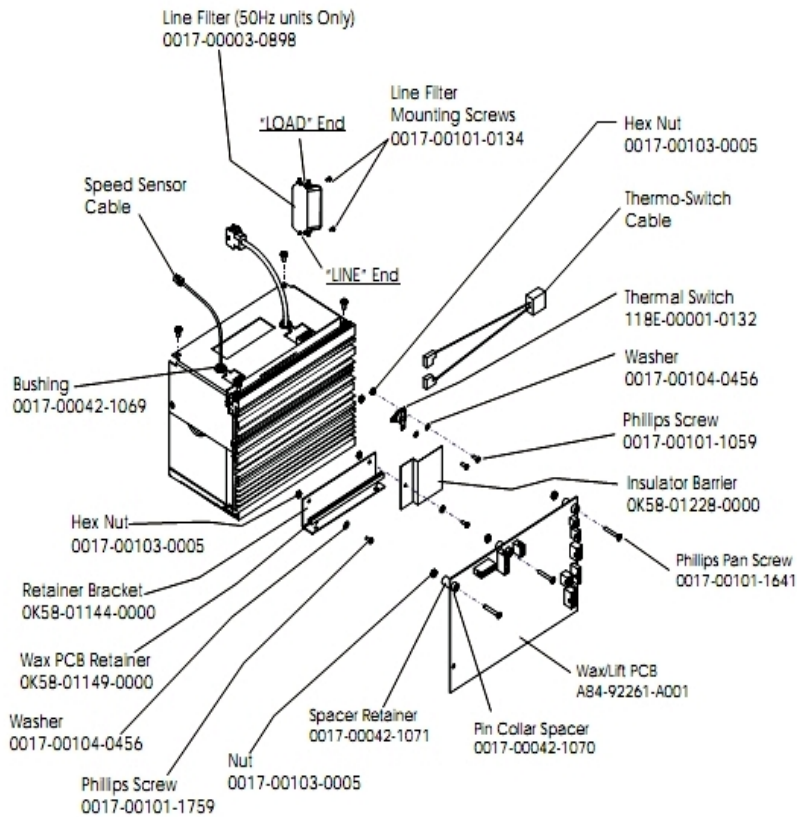
Ref #	Part Number	Qty	Description
-	AK58-00037-0000	1	Cable-Assembly: Motor Speed Pickup
-	AK58-00077-0001	1	Cap Board Cable - Domestic
-	AK58-00031-0000	1	Side Console Cable Assembly
-	OK58-01365-0000	1	Decal
-	AK58-00222-0002	1	Power Cable Assembly 120V
-	AK58-00032-0000	1	User Proximity Sensor Cable
-	AK58-00036-0000	1	Cable-Assembly: Emergency-Stop Switch
-	OK58-01273-0000	1	Front Console Case

Wax Components



Ref #	Part Number	Qty	Description
-	0017-00041-0830	1	TUBING: PVC; REINFORCED B
-	0017-00009-0842	1	Brass Spray Tip
-	AK58-00046-0000	1	Spray Nozzle Assembly
-	0K58-01111-0001	1	Extrusion Assembly
-	GK58-00002-0002	1	Wax Refill Bag
-	AK58-00187-0000	1	Wax Pump
-	0K58-01080-0000	1	Protective Sleeve
-	0017-00042-0842	1	Hose Clamp
-	0017-00103-0284	2	Hardware: Wing Nut
-	0017-00101-0658	1	Hardware: Access Panel Screws
-	0017-00042-0622	1	Cable Tie
-	0017-00021-2188	1	Tube Reducer Connector
-	AK58-00148-0000	1	Replacement Hose

Wax/Lift and Motor Controller Assembly



Ref #	Part Number	Qty	Description
-	0017-00042-1070	1	Pin Collar Spacer
-	0017-00103-0005	3	Hardware: Hex Nut
-	118E-00001-0132	1	Thermal Switch
-	0017-00101-1759	1	Hardware: Phillips Screw 0.625"
-	0017-00101-1641	1	Hardware: Phillips Pan Screw
-	0017-00101-0134	1	Hardware: Line Filter Mounting Screws
-	GK65-0002-0019	1	Motor Controller Assembly (200-240V)
-	0017-00101-1059	1	Hardware: Phillips Screw
-	0017-00003-0898	1	10 amp Line Filter (INT)
-	OK58-01144-0000	1	Retainer Bracket
-	0017-00042-1069	1	Bushing
-	0017-00104-0456	2	Hardware: Washer 0.31" OD
-	OK58-01228-0000	1	Insulator Barrier
-	0017-00042-1071	1	Spacer Retainer
-	A084-92261-A001	1	Wax/Lift PCB
-	AK58-00522-0000	1	Cable: Jumper; Power; LED Console
-	OK58-01149-0000	1	Wax PCB Retainer

