

97Ti Treadmill - 4HP AC - Lifepulse - Decline - Arctic Silver

97T-0103-03

Parts Manual

1/5/2019 11:46:29 AM

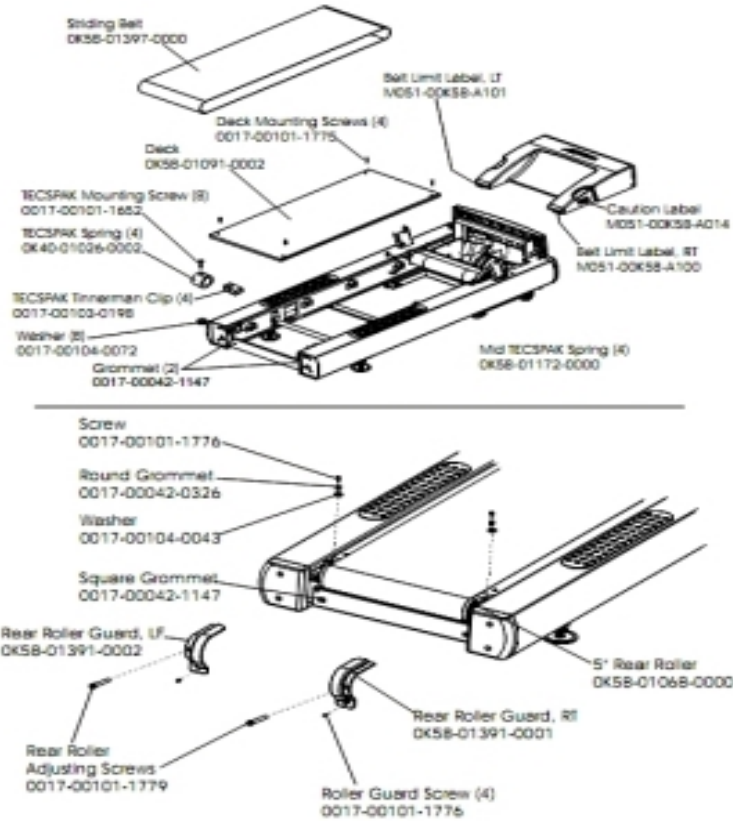


LifeFitness
WHAT WE LIVE FOR

Table of Contents

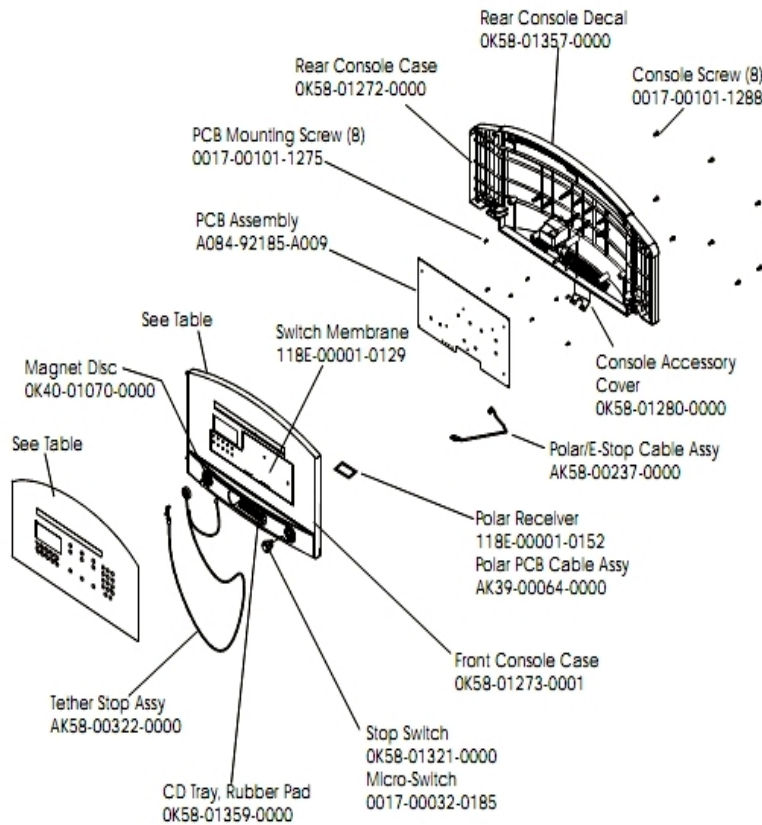
Belt, Deck, and Rear Roller.....	3
Console and Related Components.....	4
Drive Motor Assembly.....	5
Ergo Bar with Lifepulse.....	6
Front Roller Assembly.....	7
Idler Arm Assembly and Static Brush.....	8
Leveler Assembly.....	9
Lift Frame and Lift Motor.....	10
Miscellaneous.....	12
Motor Controller Assembly.....	13
Motor Cover, Front Cover and End Caps.....	14
Power Components.....	15
Rear End Caps and Cup Holders.....	16
Scuff Pad, Tinsel and Frame Tag Board.....	17
Uprights, Handrails and Ergo Bar.....	18
Wax/Lift Assembly.....	20

Belt, Deck, and Rear Roller



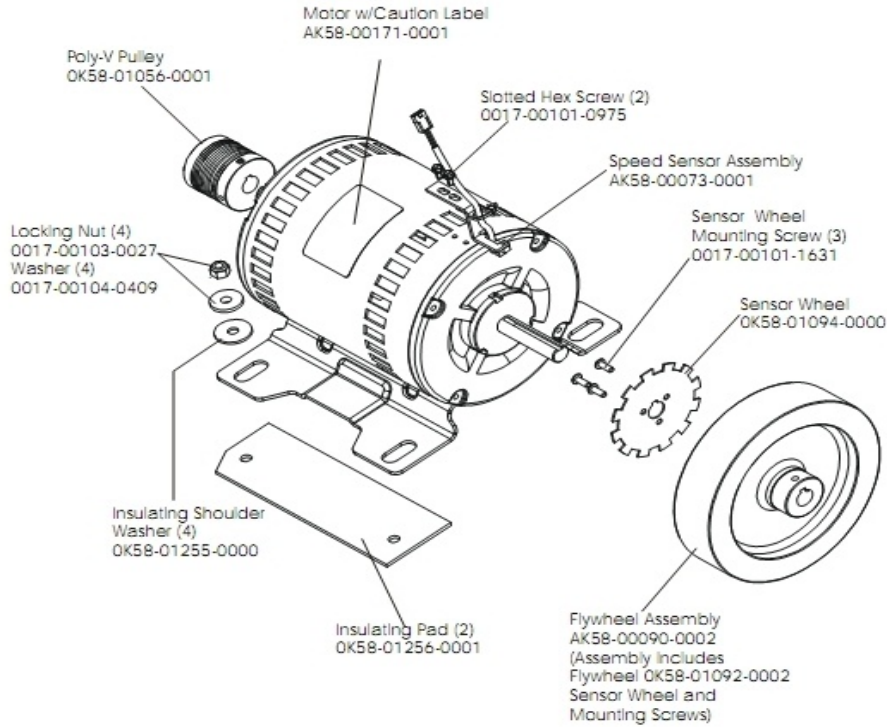
Ref #	Part Number	Qty	Description
-	0K40-01026-0002	4	Deck Spring
-	0K58-01391-0002	1	Rear Roller Guard Left
-	0K58-01397-0000	1	Striding Belt
-	0K58-01391-0001	1	Rear Roller Guard Right
-	M051-00K58-A101	1	Belt Limit Label. Left
-	0017-00101-1776	6	Hardware: Mounting Screw 0.5"
-	M051-00K58-A014	1	Label: Caution
-	0K58-01068-0000	1	Rear Roller - 5"
-	0017-00104-0043	2	Hardware: Flat Washer 0.734" OD
-	0017-00101-1652	8	Hardware: Spring Mounting Screw 1"
-	0017-00042-1147	4	Hardware: Nylon Grommet
-	0017-00042-0326	2	Hardware: Plastic Grommet
-	0K58-01172-0000	4	TECSPAК Spring
-	0017-00101-1779	2	Hardware: Rear Roller Adjusting Bolt
-	M051-00K58-A100	1	Label: Belt Limit: Right
-	0017-00104-0072	8	Hardware: Flat Washer 0.562" OD
-	0017-00103-0198	4	Hardware: Tinnerman Clip 1/4" ID

Console and Related Components



Ref #	Part Number	Qty	Description
-	118E-00001-0259	1	Wireless Receiver Module, Non-Coded
-	OK58-01321-0000	1	Stop Switch
-	AK58-00322-0000	1	Tether Stop Assembly
-	0017-00101-1275	8	Hardware: Phillips Screw 0.375"
-	0017-00103-0327	4	Hardware: Hex Nut 5/16" ID
-	OK40-01070-0000	1	Magnetic Disk
-	OK58-01280-0000	1	Accessory Cover
-	0017-00032-0185	1	Micro Switch 150GR
-	OK58-01359-0000	1	Rubber Pad
-	AK58-00390-0001	1	Console: English/Metric
-	AK58-00237-0000	1	Cable-Assembly: Polar/E-Stop
-	118E-00001-0244	1	Heart Rate Receiver
-	OK58-01296-0001	1	Overlay - English / Metric
-	OK58-01273-0001	1	Front Console Case
-	OK58-01272-0000	1	Rear Console Case
-	OK58-01357-0000	1	Decal
-	0017-00101-1288	8	Hardware: Phillips Screw 0.5"
-	AK58-00202-0001	1	Overlay Switch Bezel Assembly - English/European
-	118E-00001-0129	1	Switch Membrane
-	A084-92185-A009	1	PCB Assembly

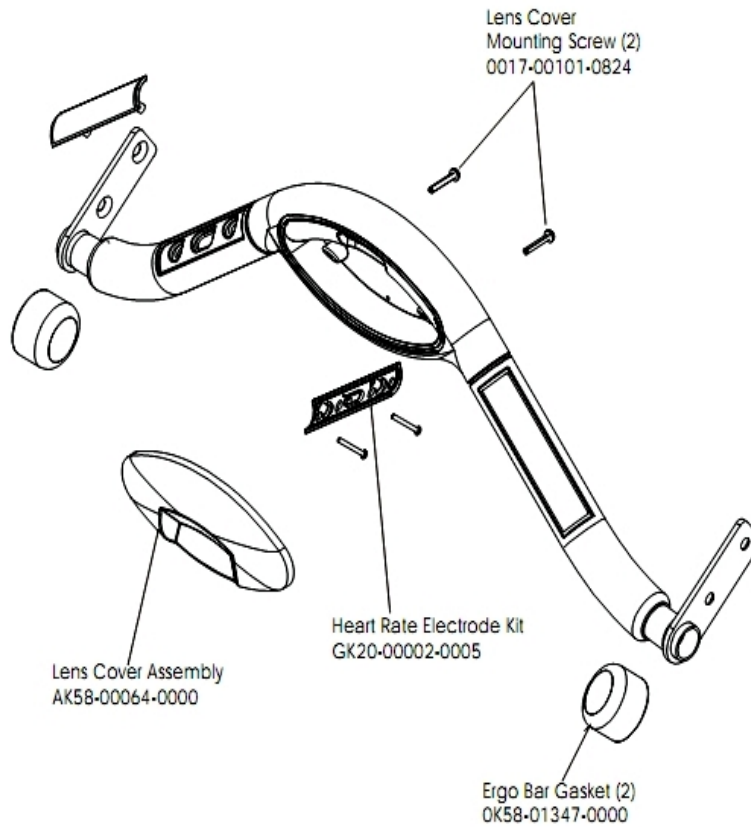
Drive Motor Assembly



Drive Motor Assembly Number	Motor Serial Number
AK58-00172-0000	ATV100000 – ATV100368
AK58-00172-0002	ATV100369 and up

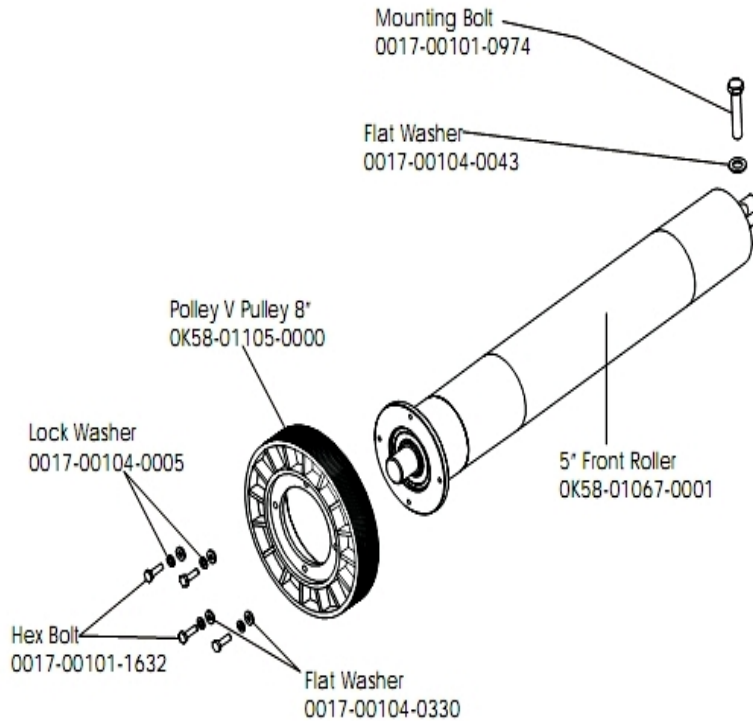
Ref #	Part Number	Qty	Description
-	AK58-00171-0001	2	Drive Motor Assembly
-	0017-00101-0975	2	Hardware: Mounting Bolt 0.375"
-	0017-00103-0027	4	Hardware: Locking Nut. 5/16" ID
-	AK58-00171-0000	1	Motor with Caution Label
-	OK58-01255-0000	4	Hardware: Insulating Washers
-	AK58-00073-0001	1	Speed Sensor Assembly
-	OK58-01094-0000	1	Sensor Wheel
-	AK58-00090-0002	1	Flywheel Assembly
-	OK58-01256-0001	2	Insulating Pad
-	0017-00101-1631	3	Hardware: Sensor Wheel Mounting Screw
-	0017-00104-0409	4	Hardware: Washer 1.125" OD

Ergo Bar with Lifepulse



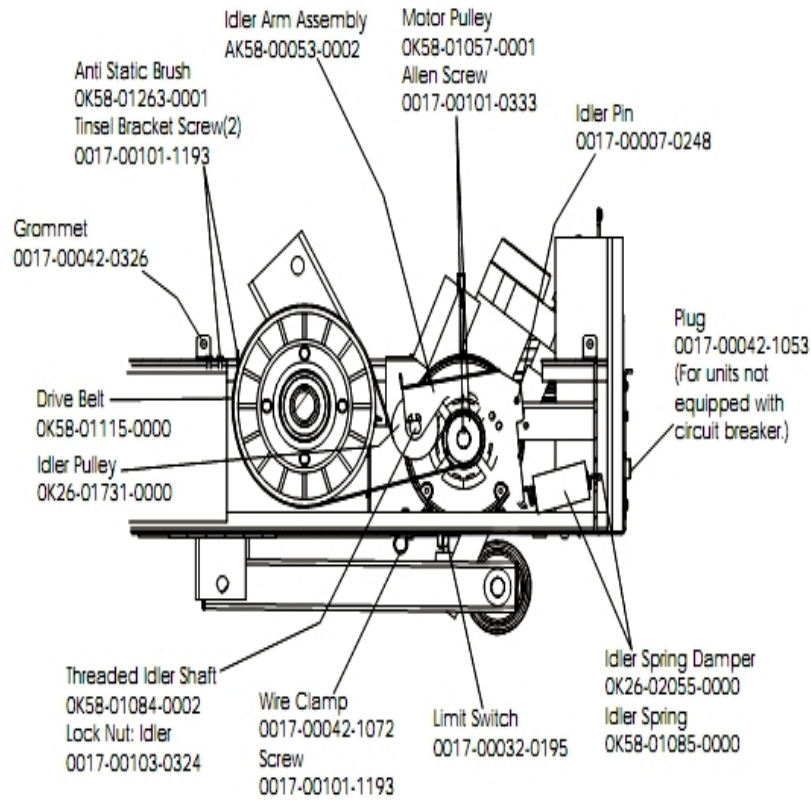
Ref #	Part Number	Qty	Description
-	AK58-00064-0000	1	I/R Lens Cover Assembly
-	0017-00101-0824	2	Hardware: Screw 1.125"
-	OK58-01347-0000	2	ErgoBar Gasket
-	GK20-00002-0005	2	Heart Rate Electrode Kit

Front Roller Assembly



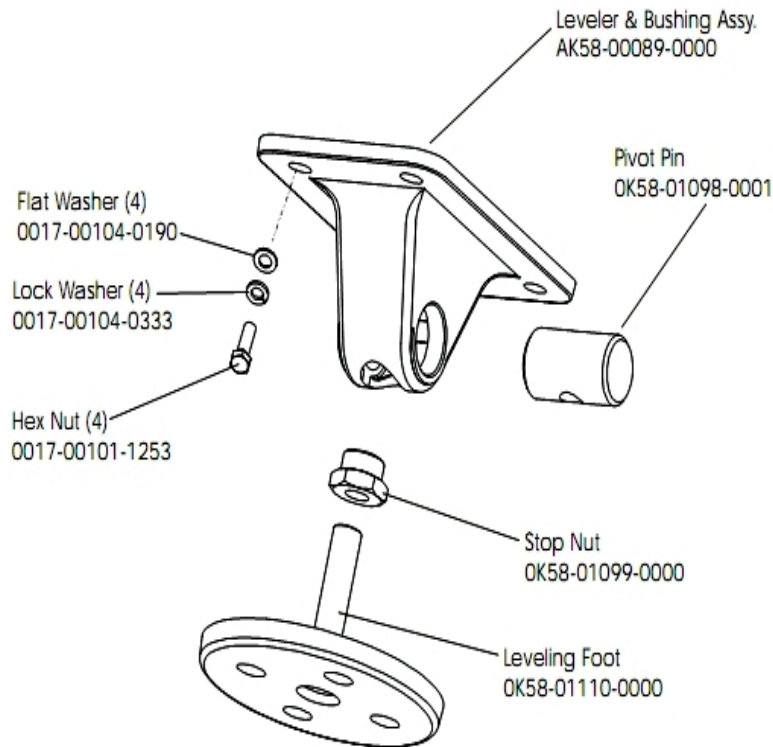
Ref #	Part Number	Qty	Description
-	0017-00101-0974	1	Hardware: Mounting Bolt 2"
-	0017-00101-1632	4	Hardware: Hex Bolt 0.875"
-	OK58-01105-0000	1	Drive Pulley Poly V - 8"
-	OK58-01067-0001	1	Front Roller - 5"
-	0017-00104-0005	4	Hardware: Lock Washer 0.489" OD
-	0017-00104-0330	4	Hardware: Flat Washers 0.562" OD
-	AK58-00067-0000	1	Front Roller Assembly
-	0017-00104-0043	1	Hardware: Flat Washer 0.734" OD

Idler Arm Assembly and Static Brush



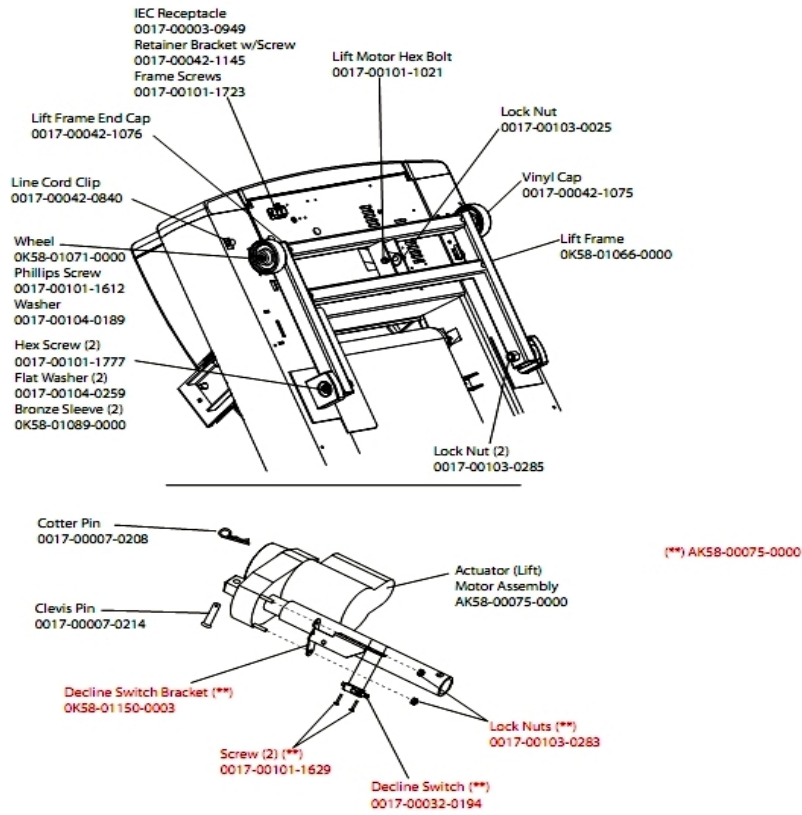
Ref #	Part Number	Qty	Description
-	OK58-01057-0001	1	Drive Pulley - 1.971"
-	OK58-01263-0001	1	Tinsel Bracket
-	0017-00042-1053	1	Plug (For units not equipped with circuit breaker.)
-	0017-00103-0324	1	Hardware: Thin Lock Nut 3/8" ID
-	OK26-01731-0000	1	Plastic Idler 2 5/8" OD
-	OK26-02055-0000	1	Spring Damper
-	0017-00032-0195	1	Home Switch
-	0017-00042-1072	1	Hardware: Wire Clamp - 5/8"
-	0017-00007-0248	1	Hardware: Locking Pin .31" D 2.125" L
-	0017-00042-0326	1	Hardware: Plastic Grommet
-	0017-00101-1193	3	Hardware: Screw 0.375"
-	OK58-01084-0002	1	Threaded Shaft
-	0017-00101-0333	1	Hardware: Screw 0.3125"
-	OK58-01085-0000	1	Extension Spring
-	GK58-00002-0129	1	KIT: TREADMILL BELT AND PULLEY

Leveler Assembly



Ref #	Part Number	Qty	Description
-	OK58-01099-0000	2	Hardware: Stop Nut
-	AK58-00089-0000	2	Bracket Leveler
-	0017-00101-1253	8	Hardware: Screw
-	0017-00104-0333	8	Hardware: Washer 0.683" OD
-	AK58-00464-0000	2	Leveler Assembly
-	OK58-01110-0000	2	Leveler Foot
-	OK58-01098-0001	2	Hardware: Pivot Pin
-	0017-00104-0190	8	Hardware: Flat Washer 0.734" OD

Lift Frame and Lift Motor



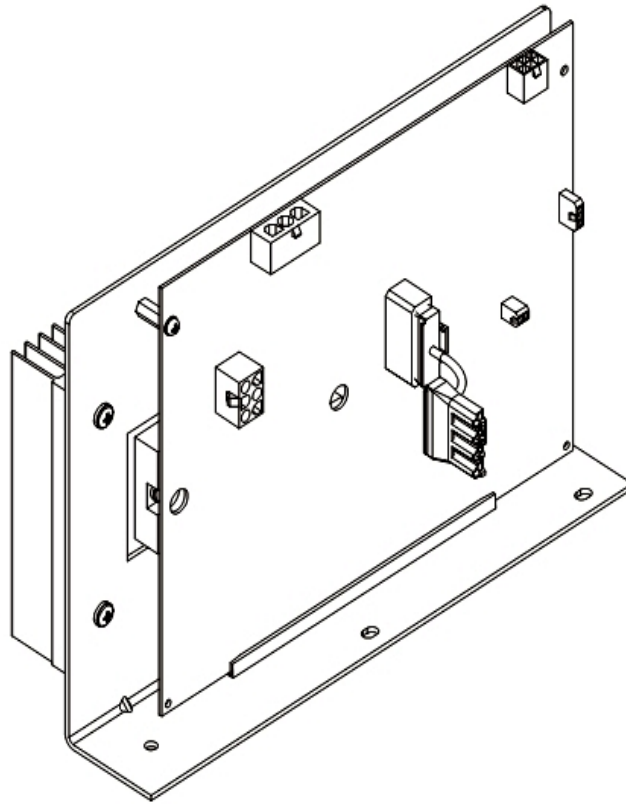
Ref #	Part Number	Qty	Description
-	0017-00042-1076	1	Lift Frame End Cap
-	0017-00103-0285	2	Hardware: Nut 5/8" ID
-	0017-00007-0208	1	Hardware: Cotter Pin
-	0017-00101-1629	2	Hardware: Phillips Pan Screw 0.625"
-	0017-00101-1777	2	Hardware: Lift Frame Mounting Bolt 2.75"
-	0017-00104-0189	2	Hardware: Flat Washer 1" OD
-	0K58-01150-0003	1	Decline Switch Bracket
-	0017-00101-1723	1	Hardware: Phillips Pan Screw 0.375"
-	0017-00032-0194	1	Mini Switch; SPDT
-	0017-00042-1145	1	Power Cord Retainer
-	0017-00101-1021	1	Hardware: Lift Motor Hex Bolt 2.5"
-	0017-00103-0025	1	Hardware: Locking Nut 3/8" ID
-	0017-00104-0259	2	Hardware: Washer 1.331" OD
-	0017-00003-0949	1	IEC Receptacle
-	AK58-00220-0000	1	LIFT-FRAME ASSY: MFG. C
-	AK58-00075-0000	2	Lift Motor Bracket Assembly
-	0K58-01089-0000	2	Bronze Sleeve Bushings
-	0017-00042-0840	1	Hardware: Push Mount Clip
-	0K58-01071-0000	2	Wheel
-	0017-00101-1612	2	Hardware: Phillips Screw 0.5"
-	0017-00042-1075	1	Vinyl Cap
-	0017-00103-0283	1	Hardware: Locking Nut ID

Ref #	Part Number	Qty	Description
-	0017-00007-0214	1	Hardware: Clevis Pin 3/8" D 1.75" L

Miscellaneous

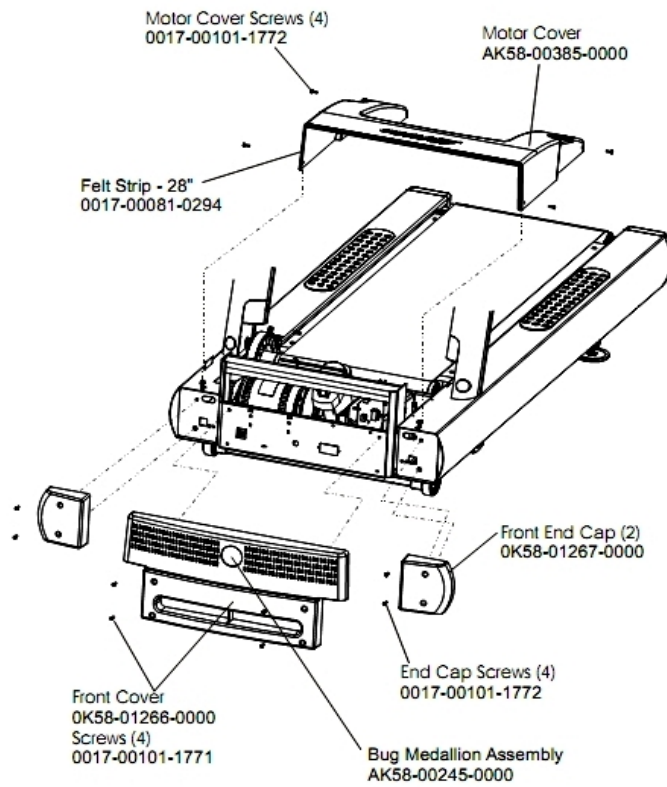
Ref #	Part Number	Qty	Description
-	AK58-00226-0000	1	Hardware Bag
-	0017-00008-0204	1	Paint Spray Can - Arctic Silver
-	0017-00008-0206	1	.33oz Pen - Arctic Silver
-	0017-00008-0205	1	5 oz Bottle - Arctic Silver

Motor Controller Assembly



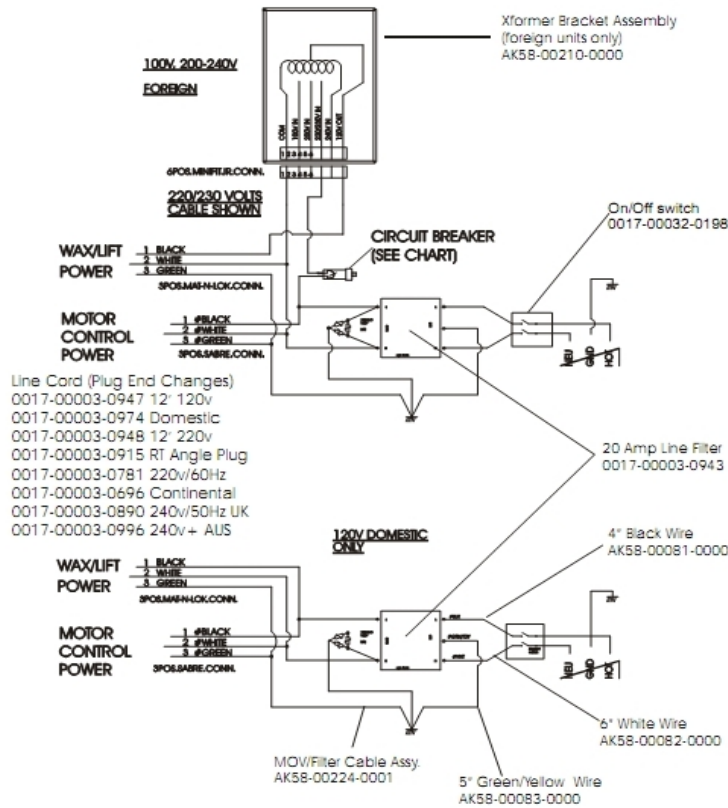
Ref #	Part Number	Qty	Description
-	AK58-00522-0000	1	Cable: Jumper; Power; LED Console
-	GK65-00002-0019	1	Motor Controller Assembly (200-240V)

Motor Cover, Front Cover and End Caps



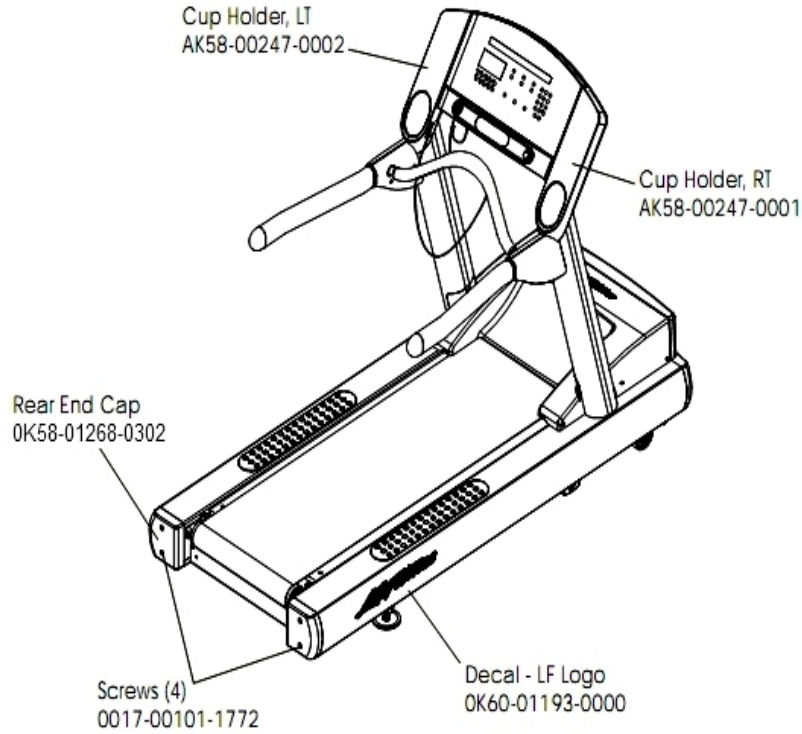
Ref #	Part Number	Qty	Description
-	OK58-01266-0000	1	Front Cover
-	AK58-00385-0000	1	Motor Cover
-	0017-00101-1771	4	Hardware: Phillips Pan Screw
-	AK58-00245-0000	1	Bug Medallion
-	0017-00081-0294	1	Felt Strip - 28"
-	OK65-01263-0000	1	Deck
-	0017-00101-1775	4	Hardware: Deck Screws 1.25"
-	0017-00101-1772	4	Hardware: Phillips Pan Screw 0.5"

Power Components



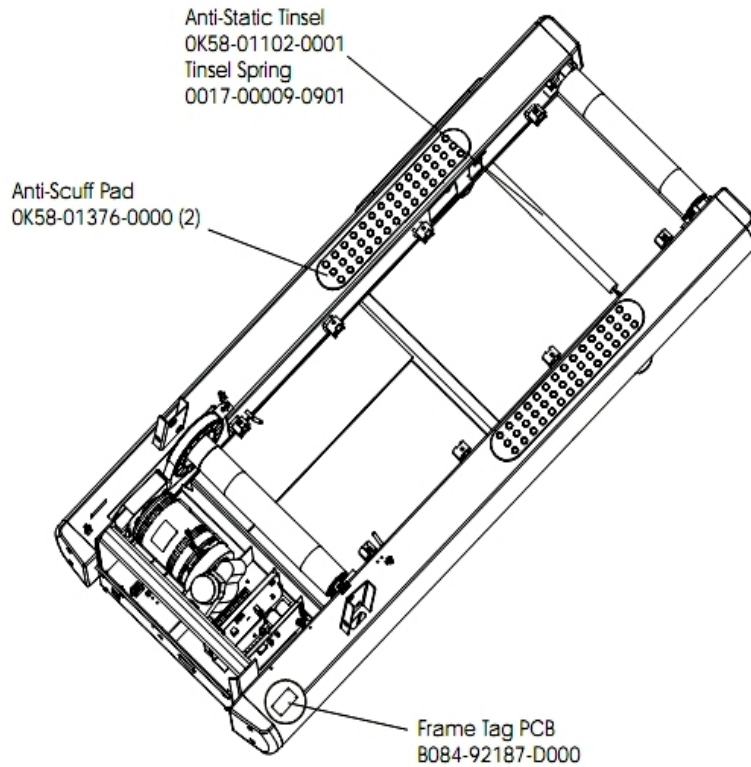
Ref #	Part Number	Qty	Description
-	0017-00003-0943	1	10 Amp Line Filter 230v or higher
-	0017-00003-0974	1	Line Cord: 120V: 8'
-	AK58-00081-0000	1	Jumper Cable Assembly: Black - 4"
-	0017-00032-0198	2	On/Off Switch 22A
-	AK58-00082-0000	1	Jumper Cable Assembly: White - 6"
-	AK58-00224-0001	1	Cable: MOV; Fliter
-	0017-00003-0781	1	Line Cord: US High Voltage
-	0017-00003-0915	1	Line Cord RT Angle Plug
-	AK58-00083-0000	1	Cable Assembly
-	AK58-00210-0000	1	Transformer-Bracket Assembly

Rear End Caps and Cup Holders



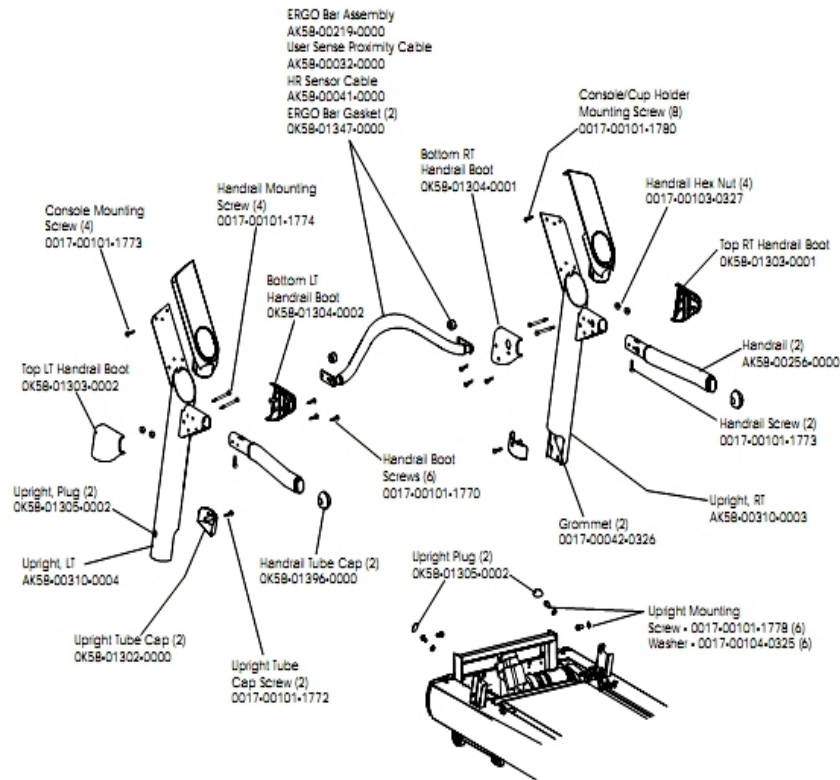
Ref #	Part Number	Qty	Description
-	OK58-01268-0302	1	ENDCAP: REAR; STEALTH D
-	0017-00101-1772	4	Hardware: Phillips Pan Screw 0.5"
-	AK58-00247-0002	1	Cup Holder Left
-	AK58-00247-0001	1	Cup Holder Right
-	OK60-01193-0000	2	Decal: LF Logo

Scuff Pad, Tinsel and Frame Tag Board



Ref #	Part Number	Qty	Description
-	OK58-01376-0000	2	Anti-Scuff Pad
-	0017-00009-0901	1	Tinsel Extension Spring
-	OK58-01102-0001	1	Anti-Static Tinsel
-	B084-92187-D000	1	Frame Tag PCB

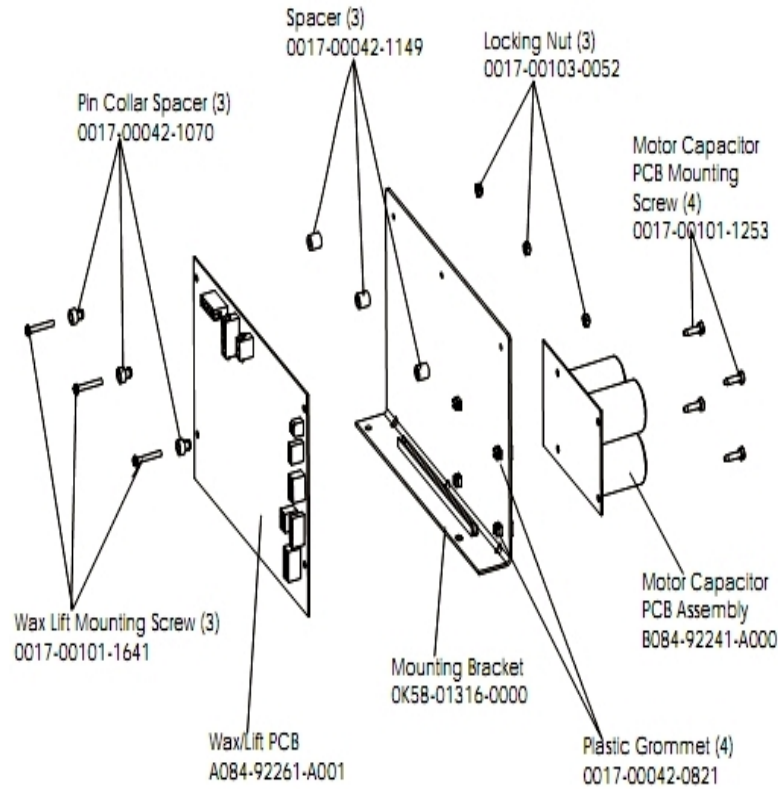
Uprights, Handrails and Ergo Bar



Ref #	Part Number	Qty	Description
-	0017-00101-1773	6	Hardware: TORX Screw 0.5"
-	AK58-00041-0000	1	Heartrate Sensor Cable
-	OK58-01396-0000	2	Endcap
-	OK58-01303-0002	1	Top Left Handrail Boot
-	OK58-01304-0001	1	Bottom Right Handrail Boot
-	OK58-01304-0002	1	Bottom Left Handrail Boot
-	AK58-00219-0000	1	Ergo Bar with Heart Rate Sensors
-	0017-00101-1772	6	Hardware: Phillips Pan Screw 0.5"
-	OK58-01303-0001	1	Top Right Handrail Boot
-	OK58-01347-0000	2	ErgoBar Gasket
-	0017-00042-0326	2	Hardware: Plastic Grommet
-	OK58-01302-0103	2	Cap: Upright Tube; Arctic Silver
-	OK58-01305-0002	4	Upright Plug
-	AK58-00032-0000	1	User Proximity Sensor Cable
-	AK58-00256-0001	2	Handrail
-	AK58-00311-0004	1	Upright: Left
-	0017-00101-1778	6	Hardware: Hex Bolt 1"
-	AK58-00310-0003	1	Upright: Right
-	OK58-01267-0000	2	End Cap
-	0017-00104-0325	6	Hardware: Washer 0.873" OD
-	0017-00101-1774	4	Hardware: TORX Screw 2.5"
-	0017-00101-1780	8	Hardware: Mounting Screws

Ref #	Part Number	Qty	Description
-	0017-00101-1770	6	Hardware: Phillips Pan Screw 0.5"

Wax/Lift Assembly



Ref #	Part Number	Qty	Description
-	0017-00101-1253	4	Hardware: Screw
-	0017-00101-1641	3	Hardware: Phillips Pan Screw
-	A084-92261-A001	1	Wax/Lift PCB
-	0017-00042-0821	4	Hardware: Plastic Grommet
-	0017-00042-1070	3	Pin Collar Spacer
-	AK58-00243-0000	1	Wax/Lift Assembly
-	0017-00042-1149	3	Spacer
-	0K58-01316-0000	1	Mounting Bracket
-	0017-00103-0052	3	Hardware: Locking Nut ID
-	B084-92241-A000	1	Motor Capacitor PCB Assembly

