

# 97Ti Treadmill - 4HP AC - Heart Rate

97T-0103-07

## Parts Manual

1/5/2019 11:46:30 AM



*LifeFitness*  
WHAT WE LIVE FOR

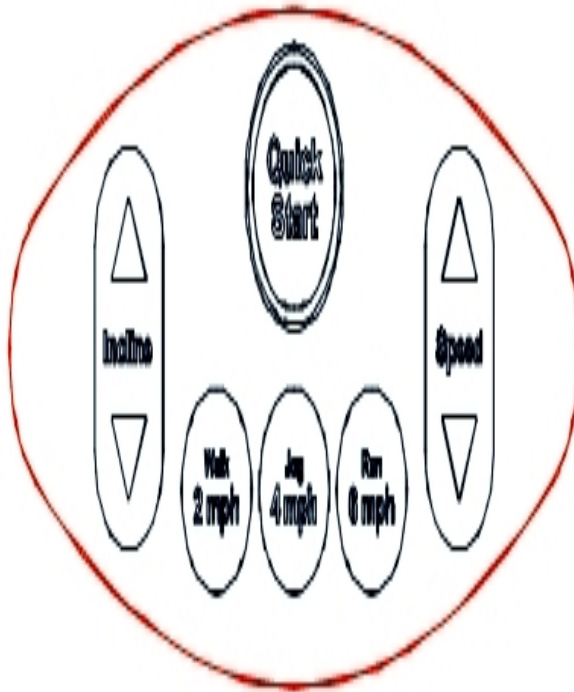
## Table of Contents

---

<a href="#">A-Z Module with Overlay Assembly</a> .....	3
<a href="#">Belt, Deck, and Rear Roller</a> .....	4
<a href="#">Cables</a> .....	5
<a href="#">Console Components</a> .....	7
<a href="#">Console, Overlay Assembly and Overlay</a> .....	8
<a href="#">Drive Motor Assembly</a> .....	9
<a href="#">DSP Controller Assembly</a> .....	10
<a href="#">Ergo Bar, Heart Rate Sensors and Activity Zone</a> .....	11
<a href="#">Front Roller Assembly</a> .....	12
<a href="#">Idler Arm Assembly</a> .....	13
<a href="#">Leg Leveler Assembly</a> .....	14
<a href="#">Lift Frame and Receptacle Assembly</a> .....	15
<a href="#">Lift Motor Assembly</a> .....	16
<a href="#">Miscellaneous</a> .....	17
<a href="#">Motor Cover, Front Cover and End Caps</a> .....	19
<a href="#">On/Off Switch, Access Plate and Grommets</a> .....	20
<a href="#">Optional Line Cords</a> .....	21
<a href="#">Rear End Caps and Cup Holders</a> .....	22
<a href="#">Scuff Pad and Tinsel</a> .....	23
<a href="#">Stride Sensor Assembly and Stride Sensor</a> .....	24
<a href="#">Uprights and Handrails</a> .....	25

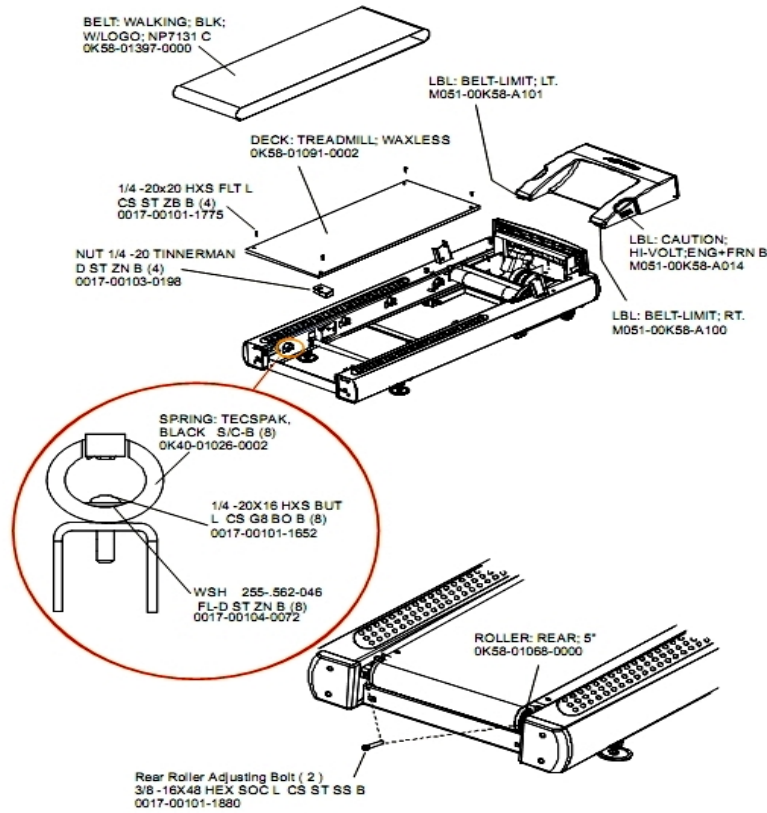
## A-Z Module with Overlay Assembly

---



Ref #	Part Number	Qty	Description
-	0K58-01459-0002	1	Activity Zone Overlay English/Metric
-	AK58-00555-0002	1	Activity Zone Assembly: English/Metric

## Belt, Deck, and Rear Roller



Ref #	Part Number	Qty	Description
-	0017-00101-1775	4	Hardware: Deck Screws 1.25"
-	OK40-01026-0002	8	Deck Spring
-	OK58-01397-0000	1	Striding Belt
-	OK65-01263-0000	1	Deck
-	0017-00103-0198	4	Hardware: Tinnerman Clip 1/4" ID
-	M051-00K58-A101	1	Belt Limit Label. Left
-	M051-00K58-A100	1	Label: Belt Limit: Right
-	0017-00101-1652	8	Hardware: Spring Mounting Screw 1"
-	0017-00101-1880	2	Hardware: Tension Bolts 3"
-	OK58-01068-0000	1	Rear Roller - 5"
-	M051-00K58-A014	1	Label: Caution
-	0017-00104-0072	8	Hardware: Flat Washer 0.562" OD

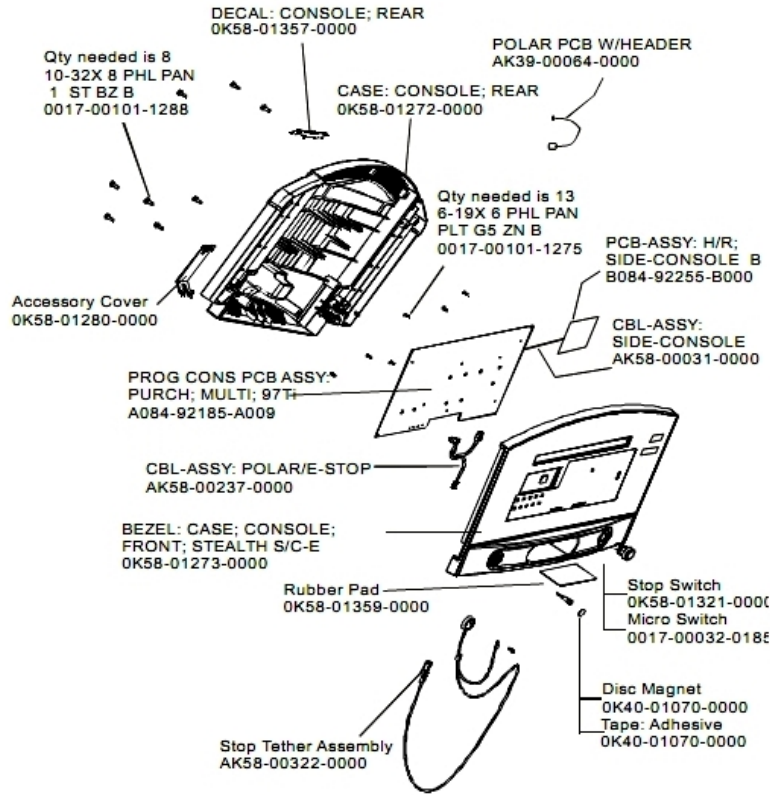
## Cables

---

Ref #	Part Number	Qty	Description
-	AK58-00524-0000	1	Cable: Thermal Adapter
-	AK58-00597-0000	1	Cable Extension ISO Sensor
-	AK58-00083-0000	1	Cable Assembly
-	AK58-00034-0001	1	Console Power Cable
-	AK58-00596-0001	1	Power Cable: 230-240V
-	AK58-00224-0001	1	Cable: MOV; Fliter
-	AK58-00083-0001	1	Jumper Cable Assembly: Green/Yellow - 7"
-	AK58-00036-0000	1	Cable-Assembly: Emergency-Stop Switch
-	0017-00003-0626	1	CIRCUIT-BREAKER:2A 200-240V
-	AK58-00598-0000	1	Cable: ISO Power
-	AK58-00210-0000	1	Transformer-Bracket Assembly
-	AK58-00032-0000	1	User Proximity Sensor Cable
-	0017-00003-1015	1	20 amp Line Filter (DOM)
-	AK58-00027-0000	1	Limit Switch Cable
-	AK58-00081-0000	1	Jumper Cable Assembly: Black - 4"
-	AK58-00263-0000	1	Hi-Pot Jumper Cable
-	AK32-00020-0002	1	Coax Cable: 120"
-	AK58-00522-0000	1	Cable: Jumper; Power; LED Console
-	AK58-00237-0000	1	Cable-Assembly: Polar/E-Stop
-	AK58-00082-0000	1	Jumper Cable Assembly: White - 6"
-	AK60-00009-0001	1	Negative Switch Cable Assembly
-	AK32-00078-0001	1	Power Extension Cable: 120"

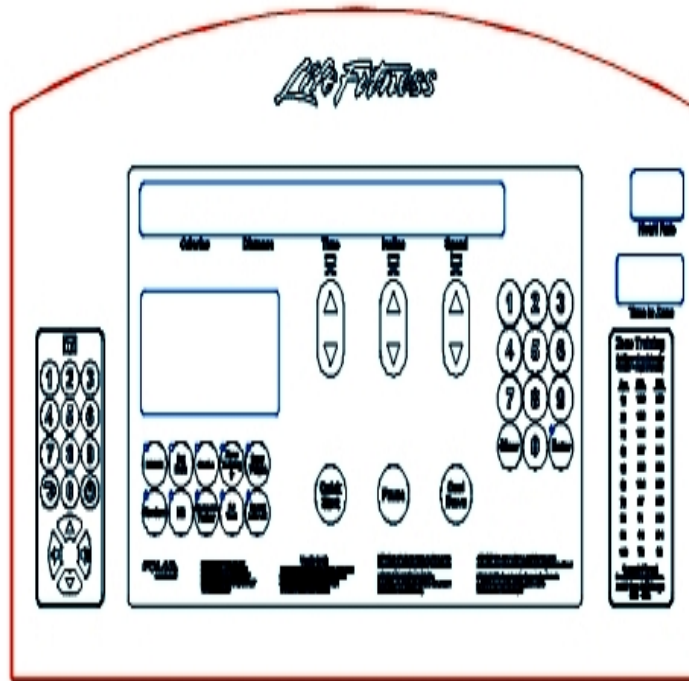
<b>Ref #</b>	<b>Part Number</b>	<b>Qty</b>	<b>Description</b>
-	AK58-00031-0000	1	Side Console Cable Assembly
-	AK58-00041-0001	1	Heart Rate Sensor Cable

# Console Components



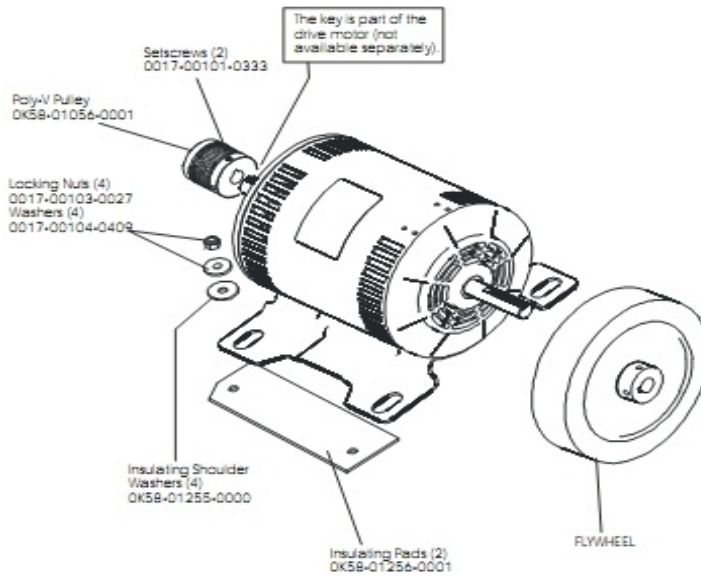
Ref #	Part Number	Qty	Description
-	OK40-01070-0000	2	Magnetic Disk
-	OK58-01321-0000	1	Stop Switch
-	AK58-00322-0000	1	Tether Stop Assembly
-	A084-92185-A009	1	PCB Assembly
-	B084-92255-B000	1	PCB Assembly
-	118E-00001-0259	1	Wireless Receiver Module, Non-Coded
-	OK58-01272-0000	1	Rear Console Case
-	OK58-01359-0000	1	Rubber Pad
-	OK58-01273-0000	1	Front Console Case
-	OK58-01280-0000	1	Accessory Cover
-	0017-00032-0185	1	Micro Switch 150GR
-	OK58-01357-0000	1	Decal
-	0017-00101-1288	8	Hardware: Phillips Screw 0.5"
-	0017-00101-1275	13	Hardware: Phillips Screw 0.375"
-	AK58-00237-0000	1	Cable-Assembly: Polar/E-Stop
-	AK58-00031-0000	1	Side Console Cable Assembly

## Console, Overlay Assembly and Overlay



Ref #	Part Number	Qty	Description
-	AK58-00582-0002	1	Console: English/Metric
-	0K58-01296-0001	1	Overlay - English / Metric
-	AK58-00202-0002	1	Overlay Switch Bezel Assembly - English/Metric

# Drive Motor Assembly

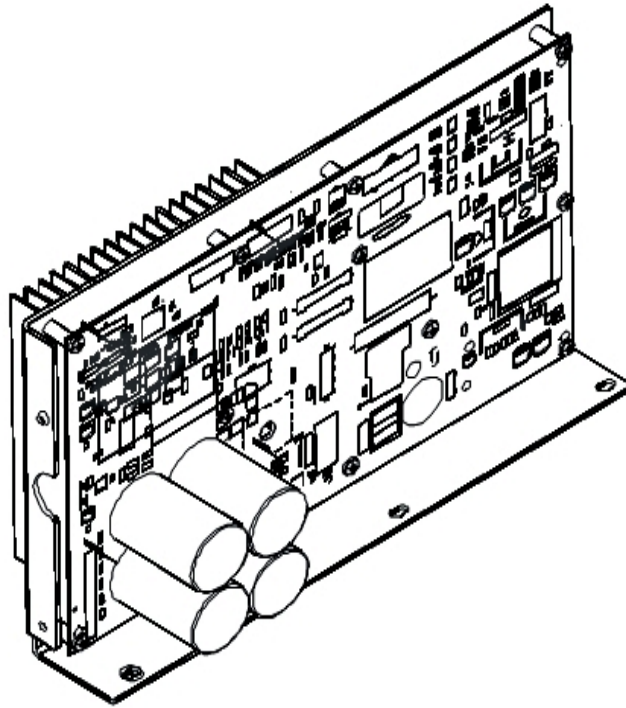


Description	Part Nos.	
	S/N TST100000—TST100343	S/N TST100344 and up
Drive Motor Assembly	AK58-00171-0001 (dual cable)	AK58-00171-0002 (tapered shaft)
Cast Iron Flywheel	OK58-01092-0002	OK58-01092-0004
Drive Motor Setscrews/Bolt	0017-00101-0975 (uses setscrews)	0017-00101-1885 (uses bolt)

Ref #	Part Number	Qty	Description
-	0017-00101-0975	1	Hardware: Mounting Bolt 0.375"
-	0017-00103-0027	4	Hardware: Locking Nut. 5/16" ID
-	OK58-01092-0002	1	Cast Iron Flywheel
-	0017-00101-1885	1	Hardware: Hex Bolt 1"
-	0017-00104-0409	4	Hardware: Washer 1.125" OD
-	OK58-01092-0004	1	Cast Iron Flywheel
-	OK58-01386-0004	1	MOTOR: MAIN DRIVE, 230V/50HZ, W/TAPER
-	0017-00101-0333	2	Hardware: Screw 0.3125"
-	OK58-01256-0001	2	Insulating Pad
-	AK58-00171-0001	1	Drive Motor Assembly
-	OK58-01255-0000	4	Hardware: Insulating Washers

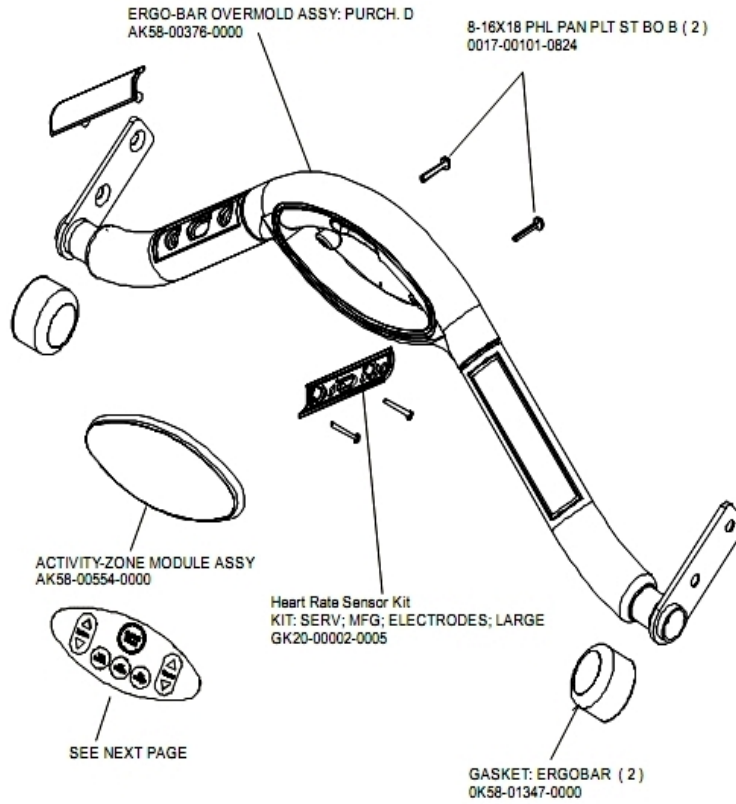
## DSP Controller Assembly

---



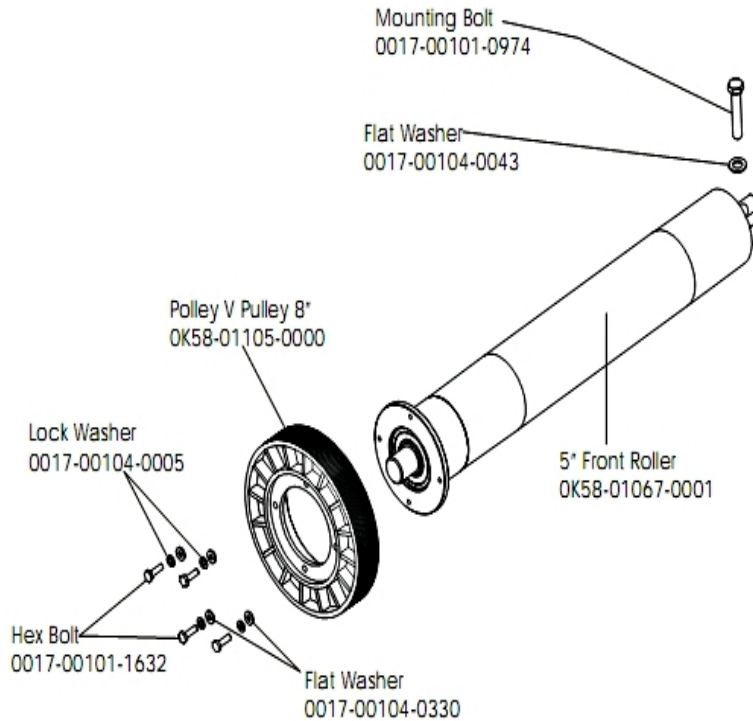
Ref #	Part Number	Qty	Description
-	AK65-00071-0009	1	DSP Controller 200-240

## Ergo Bar, Heart Rate Sensors and Activity Zone



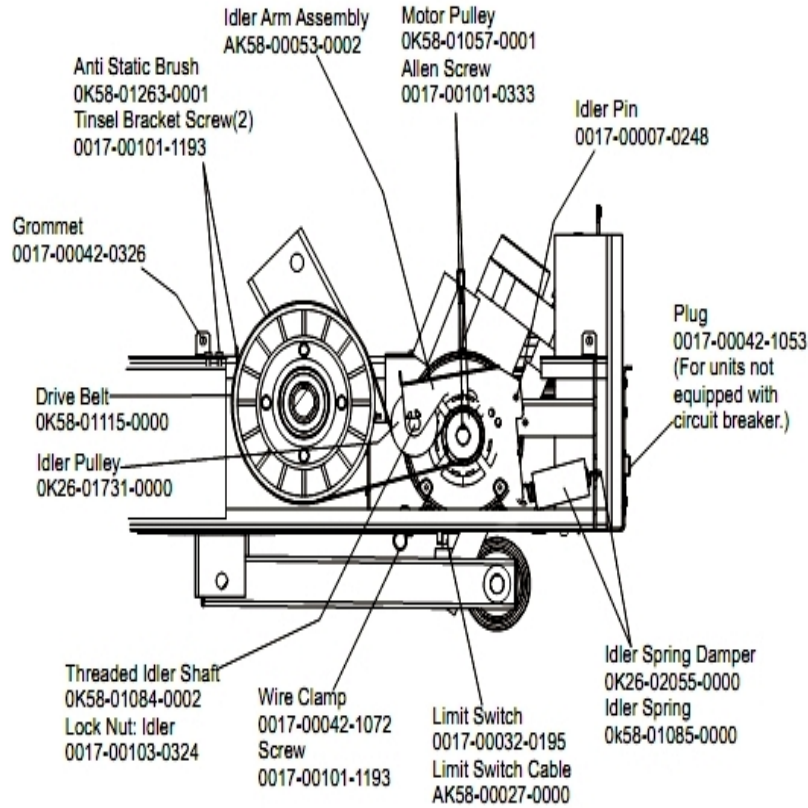
Ref #	Part Number	Qty	Description
-	AK58-00554-0201	1	Activity-Zone Module Assembly: Purchased; Generic Shadow Grey
-	GK20-00002-0005	2	Heart Rate Electrode Kit
-	0017-00101-0824	2	Hardware: Screw 1.125"
-	AK58-00376-0001	1	Ergo-Bar Overmold Assembly
-	OK58-01347-0000	2	ErgoBar Gasket

## Front Roller Assembly



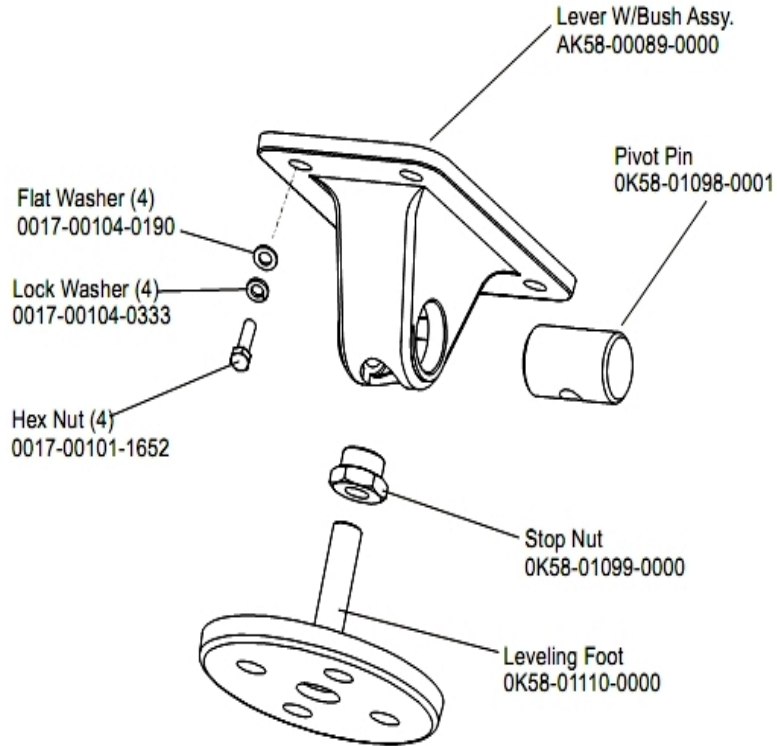
Ref #	Part Number	Qty	Description
-	0017-00101-0974	1	Hardware: Mounting Bolt 2"
-	0017-00101-1632	4	Hardware: Hex Bolt 0.875"
-	OK58-01105-0000	1	Drive Pulley Poly V - 8"
-	OK58-01067-0001	1	Front Roller - 5"
-	0017-00104-0005	4	Hardware: Lock Washer 0.489" OD
-	0017-00104-0330	4	Hardware: Flat Washers 0.562" OD
-	AK58-00067-0000	1	Front Roller Assembly
-	0017-00104-0043	1	Hardware: Flat Washer 0.734" OD

## Idler Arm Assembly



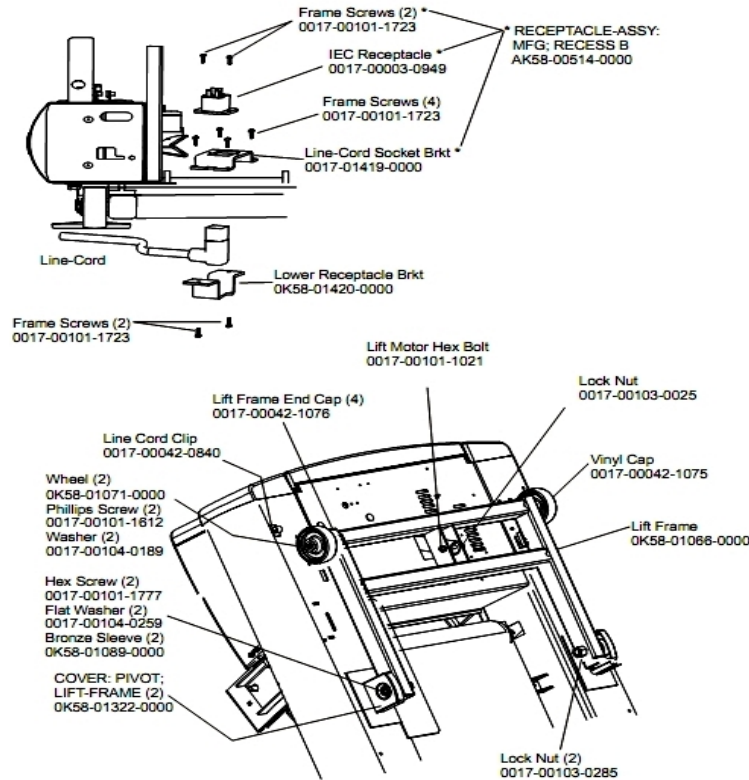
Ref #	Part Number	Qty	Description
-	OK58-01057-0001	1	Drive Pulley - 1.971"
-	OK58-01263-0001	1	Tinsel Bracket
-	0017-00042-1053	1	Plug (For units not equipped with circuit breaker.)
-	0017-00103-0324	1	Hardware: Thin Lock Nut 3/8" ID
-	AK58-00027-0000	1	Limit Switch Cable
-	OK26-01731-0000	1	Plastic Idler 2 5/8" OD
-	OK26-02055-0000	1	Spring Damper
-	0017-00032-0195	1	Home Switch
-	0017-00042-1072	1	Hardware: Wire Clamp - 5/8"
-	0017-00007-0248	1	Hardware: Locking Pin .31" D 2.125" L
-	0017-00042-0326	1	Hardware: Plastic Grommet
-	0017-00101-1193	3	Hardware: Screw 0.375"
-	OK58-01084-0002	1	Threaded Shaft
-	0017-00101-0333	1	Hardware: Screw 0.3125"
-	AK58-00053-0002	1	Idler Arm Assembly
-	OK58-01085-0000	1	Extension Spring
-	GK58-00002-0129	1	KIT: TREADMILL BELT AND PULLEY

## Leg Leveler Assembly



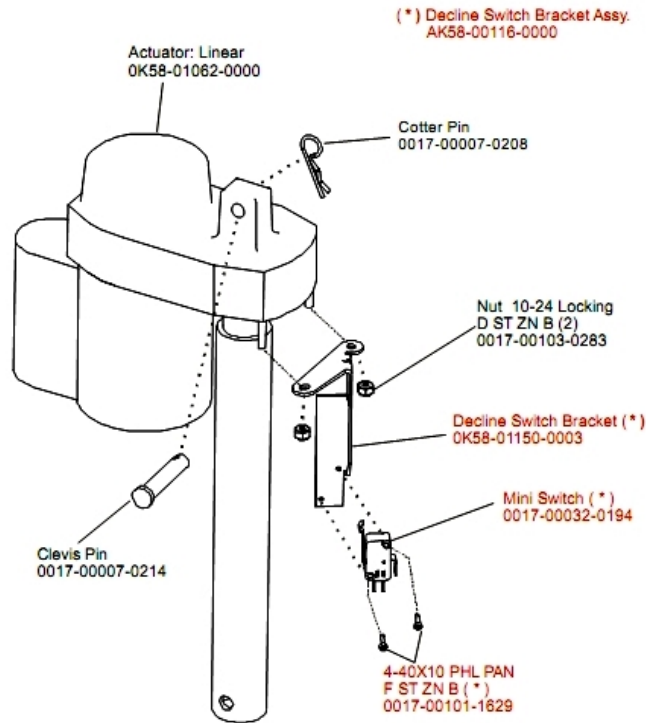
Ref #	Part Number	Qty	Description
-	AK58-00464-0000	2	Leveler Assembly
-	AK58-00089-0000	2	Bracket Leveler
-	OK58-01099-0000	2	Hardware: Stop Nut
-	0017-00104-0333	8	Hardware: Washer 0.683" OD
-	0017-00101-1652	8	Hardware: Spring Mounting Screw 1"
-	0017-00104-0190	8	Hardware: Flat Washer 0.734" OD
-	OK58-01098-0001	2	Hardware: Pivot Pin
-	OK58-01110-0000	2	Leveler Foot

# Lift Frame and Receptacle Assembly



Ref #	Part Number	Qty	Description
-	AK58-00220-0000	1	LIFT-FRAME ASSY: MFG. C
-	0K58-01420-0000	1	Lower Receptacle Bracket
-	0K58-01089-0000	2	Bronze Sleeve Bushings
-	0017-00042-0840	1	Hardware: Push Mount Clip
-	0K58-01071-0000	2	Wheel
-	0017-00042-1075	1	Vinyl Cap
-	0017-00101-1612	2	Hardware: Phillips Screw 0.5"
-	0017-00003-0949	1	IEC Receptacle
-	0017-00104-0259	2	Hardware: Washer 1.331" OD
-	0017-00103-0025	1	Hardware: Locking Nut 3/8" ID
-	0017-00101-1021	1	Hardware: Lift Motor Hex Bolt 2.5"
-	AK58-00514-0000	1	Receptacle Assembly
-	0017-00101-1723	8	Hardware: Phillips Pan Screw 0.375"
-	0K58-01419-0000	1	Line Cord Socket Bracket
-	0017-00104-0189	2	Hardware: Flat Washer 1" OD
-	0017-00042-1076	4	Lift Frame End Cap
-	0K58-01322-0000	2	Lift Frame Pivot Cover
-	0017-00103-0285	4	Hardware: Nut 5/8" ID
-	0017-00101-1777	2	Hardware: Lift Frame Mounting Bolt 2.75"

# Lift Motor Assembly



Ref #	Part Number	Qty	Description
-	0017-00103-0283	2	Hardware: Locking Nut ID
-	OK58-01150-0003	1	Decline Switch Bracket
-	0017-00007-0214	1	Hardware: Clevis Pin 3/8" D 1.75" L
-	AK58-00116-0000	1	Switch Bracket Assembly
-	OK58-01062-0000	1	Lift Motor - 120/60
-	0017-00007-0208	1	Hardware: Cotter Pin
-	AK58-00075-0000	1	Lift Motor Bracket Assembly
-	0017-00032-0194	1	Mini Switch; SPDT
-	0017-00101-1629	4	Hardware: Phillips Pan Screw 0.625"

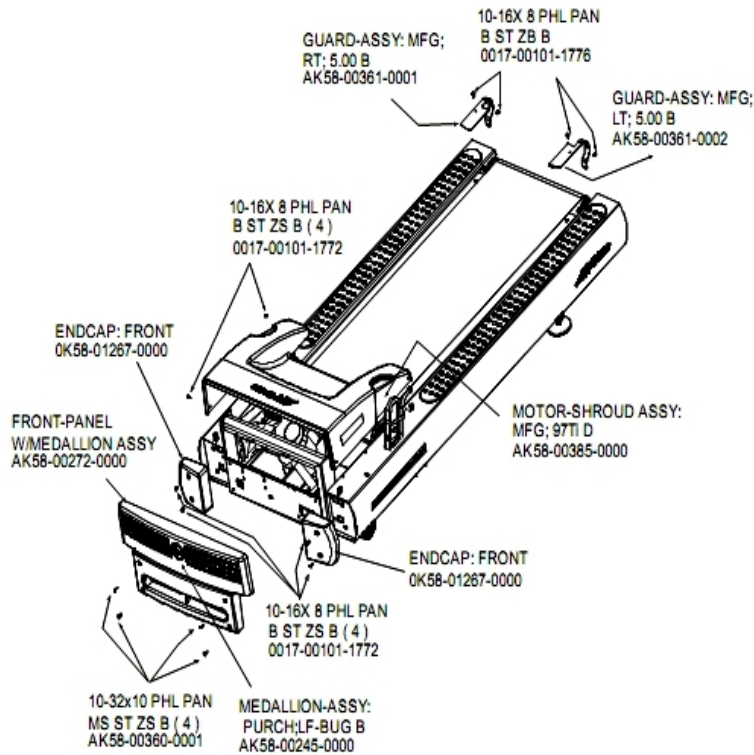
**Miscellaneous**

---

Ref #	Part Number	Qty	Description
-	0017-00009-1049	1	Torx Wrench
-	0017-00101-1773	6	Hardware: TORX Screw 0.5"
-	AK58-00226-0000	1	Hardware Bag
-	0017-00008-0205	1	5 oz Bottle - Arctic Silver
-	M051-00K58-B128	1	Service Instructions - Roller Guards
-	0017-00008-0204	1	Paint Spray Can - Arctic Silver
-	0017-00042-0840	5	Hardware: Push Mount Clip
-	0017-00101-1770	6	Hardware: Phillips Pan Screw 0.5"
-	0K58-01376-0000	2	Anti-Scuff Pad
-	0017-00101-1772	6	Hardware: Phillips Pan Screw 0.5"
-	0K58-01347-0000	2	ErgoBar Gasket
-	0017-00008-0206	1	.33oz Pen - Arctic Silver
-	0017-00042-0326	4	Hardware: Plastic Grommet
-	0017-00042-1147	2	Hardware: Nylon Grommet
-	0017-00103-0327	4	Hardware: Hex Nut 5/16" ID
-	0K58-01305-0002	2	Upright Plug
-	0017-00101-1778	4	Hardware: Hex Bolt 1"
-	0017-00008-0210	1	Paint: Shadow-Gray Touch Up: .6 OZ Bottle
-	0017-00101-1776	4	Hardware: Mounting Screw 0.5"
-	0017-00104-0325	4	Hardware: Washer 0.873" OD
-	GK58-00002-0096	1	Roller Guard kit
-	0017-00008-0211	1	Paint: Shadow-Gray Touch Up: .6 OZ Bottle

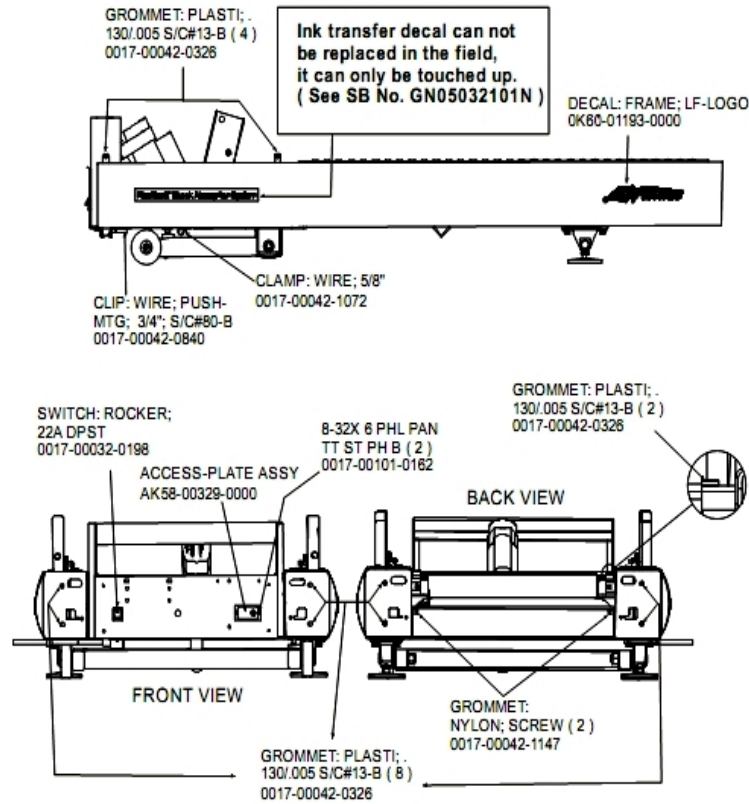
<b>Ref #</b>	<b>Part Number</b>	<b>Qty</b>	<b>Description</b>
-	0017-00101-1774	4	Hardware: TORX Screw 2.5"
-	0017-00101-1780	8	Hardware: Mounting Screws
-	0K58-01391-0001	1	Rear Roller Guard Right
-	0K58-01391-0002	1	Rear Roller Guard Left

## Motor Cover, Front Cover and End Caps



Ref #	Part Number	Qty	Description
-	0017-00101-1772	2	Hardware: Phillips Pan Screw 0.5"
-	AK58-00245-0000	1	Bug Medallion
-	AK58-00360-0001	1	Rear Roller Guard: Right
-	0K58-01391-0001	1	Rear Roller Guard Right
-	AK58-00385-0000	1	Motor Cover
-	0017-00101-1776	1	Hardware: Mounting Screw 0.5"
-	0K58-01267-0000	1	End Cap
-	0K58-01391-0002	1	Rear Roller Guard Left
-	AK58-00272-0000	1	Front Panel with Medallion

## On/Off Switch, Access Plate and Grommets



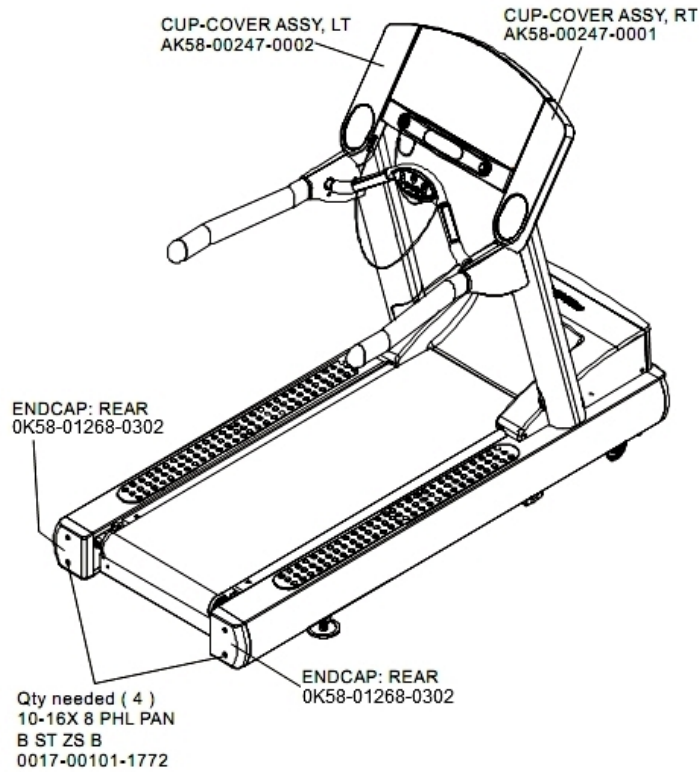
Ref #	Part Number	Qty	Description
-	0017-00042-0840	1	Hardware: Push Mount Clip
-	AK58-00329-0000	1	Access Panel Assembly
-	0017-00101-0162	2	Hardware: Screw 0.375"
-	OK60-01193-0000	2	Decal: LF Logo
-	0017-00042-1147	2	Hardware: Nylon Grommet
-	0017-00042-0326	14	Hardware: Plastic Grommet
-	0017-00032-0198	1	On/Off Switch 22A
-	0017-00042-1072	1	Hardware: Wire Clamp - 5/8"

## Optional Line Cords

---

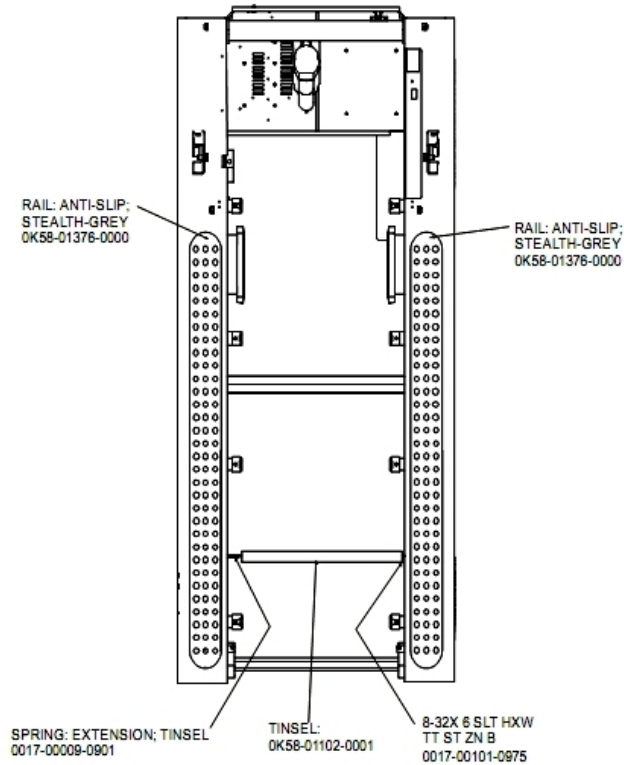
Ref #	Part Number	Qty	Description
-	0017-00003-0781	1	Line Cord: US High Voltage
-	0017-00003-0981	1	LINE-CORD: R/A; with PLUG 220/60 7.5'
-	0017-00003-0980	1	Line Cord: US Low Voltage 144"
-	0017-00003-0948	1	12' 220v Line Cord

## Rear End Caps and Cup Holders



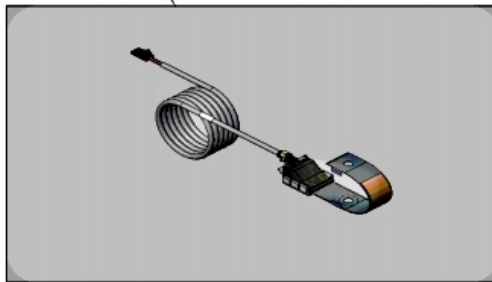
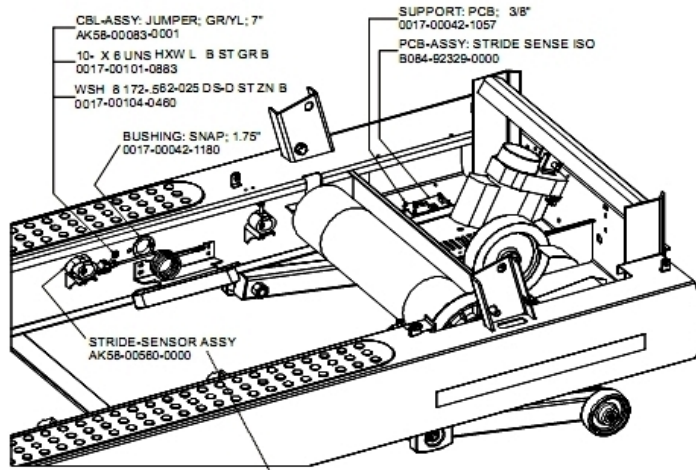
Ref #	Part Number	Qty	Description
-	AK58-00247-0002	1	Cup Holder Left
-	OK58-01268-0302	2	ENDCAP: REAR; STEALTH D
-	0017-00101-1772	1	Hardware: Phillips Pan Screw 0.5"
-	AK58-00247-0001	1	Cup Holder Right

## Scuff Pad and Tinsel



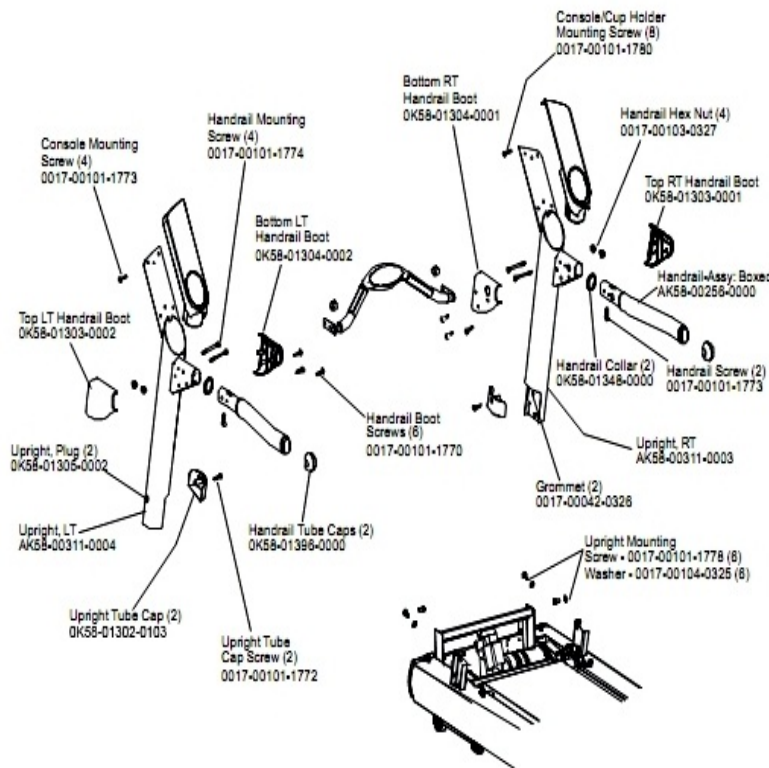
Ref #	Part Number	Qty	Description
-	0017-00009-0901	1	Tinsel Extension Spring
-	0017-00101-0975	1	Hardware: Mounting Bolt 0.375"
-	0K58-01376-0000	2	Anti-Scuff Pad
-	0K58-01102-0001	1	Anti-Static Tinsel

## Stride Sensor Assembly and Stride Sensor



Ref #	Part Number	Qty	Description
-	AK58-00560-0000	1	Stride Sensor Assembly
-	0017-00042-1057	1	Support: Printed Circuit Board; 3/8"
-	0017-00042-1180	1	Hardware: Snap Bushing - 1.75"
-	B084-92329-0000	1	PCB-ASSY: STRIDE SENSE ISO

## Uprights and Handrails



Ref #	Part Number	Qty	Description
-	0K58-01304-0002	1	Bottom Left Handrail Boot
-	0K58-01304-0001	1	Bottom Right Handrail Boot
-	0K58-01303-0002	1	Top Left Handrail Boot
-	0017-00101-1772	2	Hardware: Phillips Pan Screw 0.5"
-	0017-00104-0325	6	Hardware: Washer 0.873" OD
-	0017-00101-1773	6	Hardware: TORX Screw 0.5"
-	0017-00101-1778	1	Hardware: Hex Bolt 1"
-	AK58-00311-0004	1	Upright: Left
-	AK58-00256-0001	1	Handrail
-	0K58-01305-0002	2	Upright Plug
-	0K58-01302-0103	2	Cap: Upright Tube; Arctic Silver
-	0017-00103-0327	4	Hardware: Hex Nut 5/16" ID
-	0017-00042-0326	2	Hardware: Plastic Grommet
-	0K58-01348-0000	2	Handrail Collar
-	AK58-00311-0003	1	Upright: Right
-	0017-00101-1780	8	Hardware: Mounting Screws
-	0017-00101-1774	4	Hardware: TORX Screw 2.5"
-	0K58-01303-0001	1	Top Right Handrail Boot
-	0K58-01396-0000	2	Endcap
-	0017-00101-1770	6	Hardware: Phillips Pan Screw 0.5"

