

97TI Treadmill - English/Metric 220/60 DOM

97T-0103-08

Parts Manual

1/5/2019 11:46:30 AM

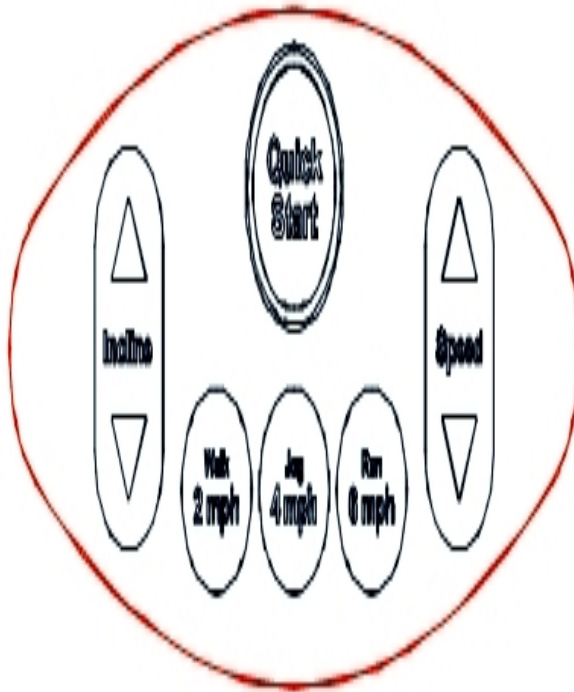


LifeFitness
WHAT WE LIVE FOR

Table of Contents

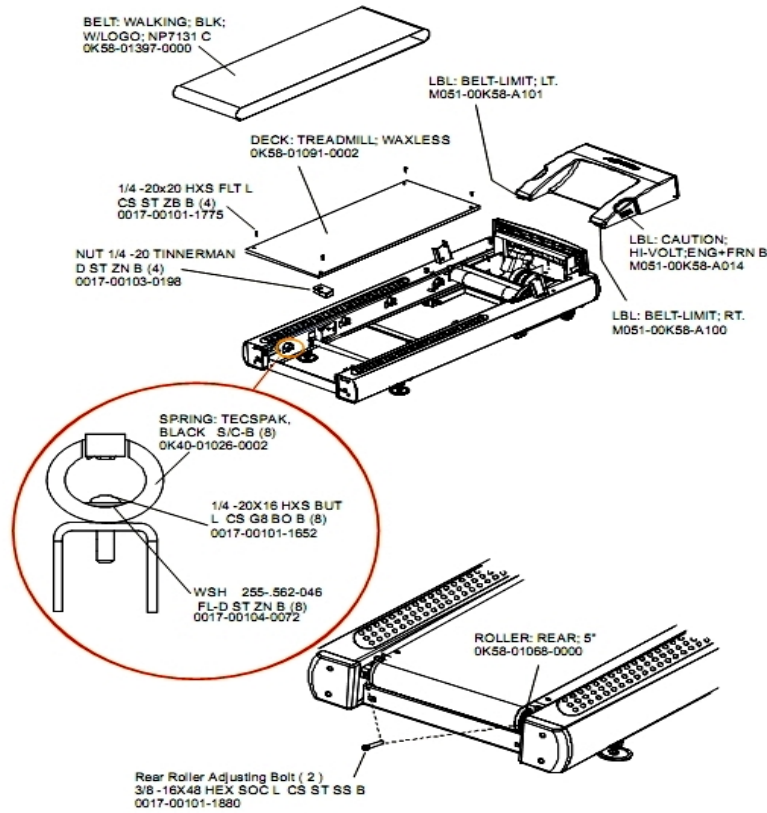
A-Z Module with Overlay Assembly	3
Belt, Deck, and Rear Roller	4
Cables	5
Console Components	7
Console, Overlay Assembly and Overlay	8
Drive Motor Assembly	9
DSP Controller Assembly	10
Ergo Bar, Heart Rate Sensors and Activity Zone	11
Front Roller Assembly	12
Idler Arm Assembly	13
Leg Leveler Assembly	14
Lift Frame and Receptacle Assembly	15
Lift Motor Assembly	16
Miscellaneous	17
Motor Cover, Front Cover and End Caps	19
On/Off Switch, Access Plate and Grommets	20
Optional Line Cords	21
Rear End Caps and Cup Holders	22
Scuff Pad and Tinsel	23
Stride Sensor Assembly and Stride Sensor	24
Uprights and Handrails	25

A-Z Module with Overlay Assembly



Ref #	Part Number	Qty	Description
-	0K58-01459-0002	1	Activity Zone Overlay English/Metric
-	AK58-00555-0002	1	Activity Zone Assembly: English/Metric

Belt, Deck, and Rear Roller



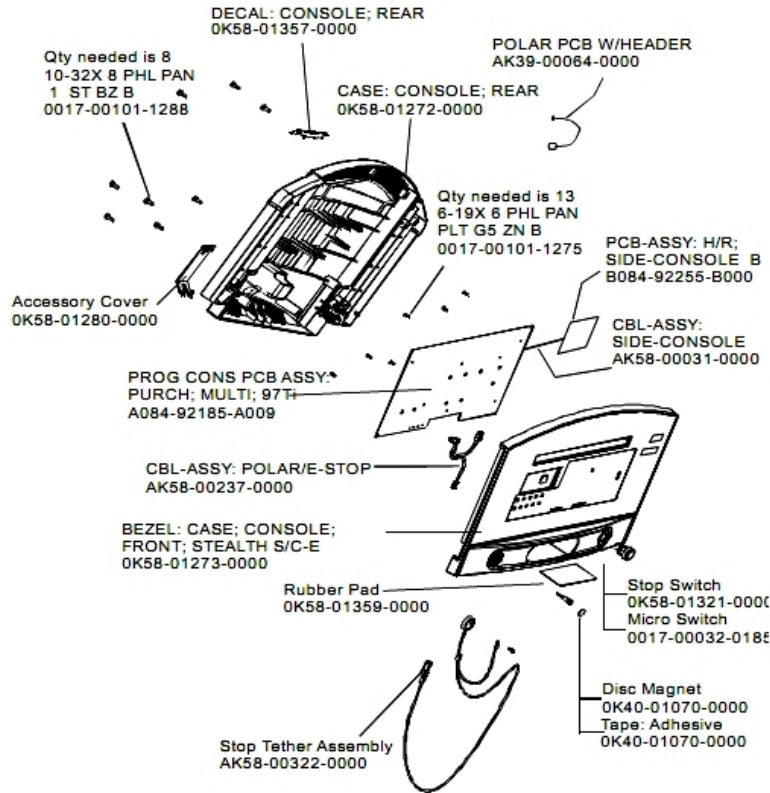
Ref #	Part Number	Qty	Description
-	0017-00101-1775	4	Hardware: Deck Screws 1.25"
-	OK40-01026-0002	8	Deck Spring
-	OK58-01397-0000	1	Striding Belt
-	OK65-01263-0000	1	Deck
-	0017-00103-0198	4	Hardware: Tinnerman Clip 1/4" ID
-	M051-00K58-A101	1	Belt Limit Label. Left
-	M051-00K58-A100	1	Label: Belt Limit: Right
-	0017-00101-1652	8	Hardware: Spring Mounting Screw 1"
-	0017-00101-1880	2	Hardware: Tension Bolts 3"
-	OK58-01068-0000	1	Rear Roller - 5"
-	M051-00K58-A014	1	Label: Caution
-	0017-00104-0072	8	Hardware: Flat Washer 0.562" OD

Cables

Ref #	Part Number	Qty	Description
-	AK58-00524-0000	1	Cable: Thermal Adapter
-	AK58-00597-0000	1	Cable Extension ISO Sensor
-	AK58-00083-0000	1	Cable Assembly
-	AK58-00034-0001	1	Console Power Cable
-	AK58-00596-0001	1	Power Cable: 230-240V
-	AK58-00224-0001	1	Cable: MOV; Fliter
-	AK58-00083-0001	1	Jumper Cable Assembly: Green/Yellow - 7"
-	AK58-00036-0000	1	Cable-Assembly: Emergency-Stop Switch
-	0017-00003-0626	1	CIRCUIT-BREAKER:2A 200-240V
-	AK58-00598-0000	1	Cable: ISO Power
-	AK58-00210-0000	1	Transformer-Bracket Assembly
-	AK58-00032-0000	1	User Proximity Sensor Cable
-	0017-00003-1015	1	20 amp Line Filter (DOM)
-	AK58-00027-0000	1	Limit Switch Cable
-	AK58-00081-0000	1	Jumper Cable Assembly: Black - 4"
-	AK58-00263-0000	1	Hi-Pot Jumper Cable
-	AK32-00020-0002	1	Coax Cable: 120"
-	AK58-00522-0000	1	Cable: Jumper; Power; LED Console
-	AK58-00237-0000	1	Cable-Assembly: Polar/E-Stop
-	AK58-00082-0000	1	Jumper Cable Assembly: White - 6"
-	AK60-00009-0001	1	Negative Switch Cable Assembly
-	AK32-00078-0001	1	Power Extension Cable: 120"

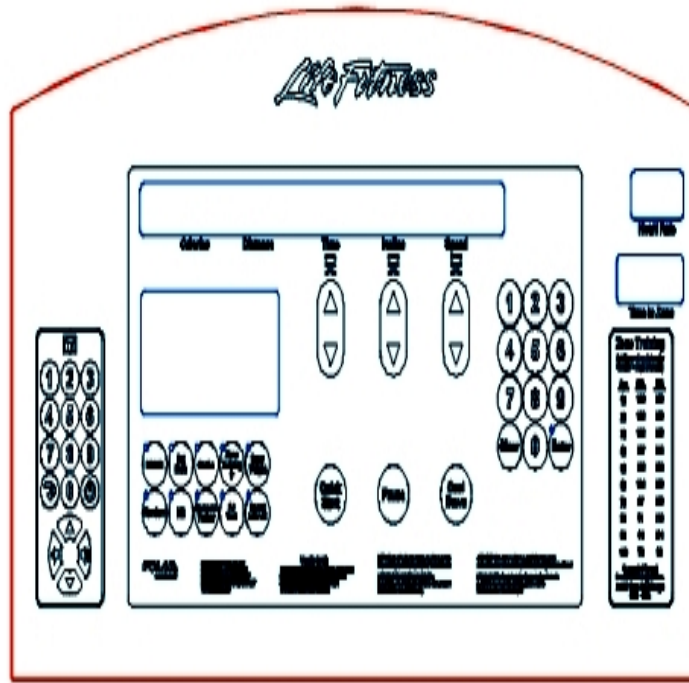
Ref #	Part Number	Qty	Description
-	AK58-00031-0000	1	Side Console Cable Assembly
-	AK58-00041-0001	1	Heart Rate Sensor Cable

Console Components



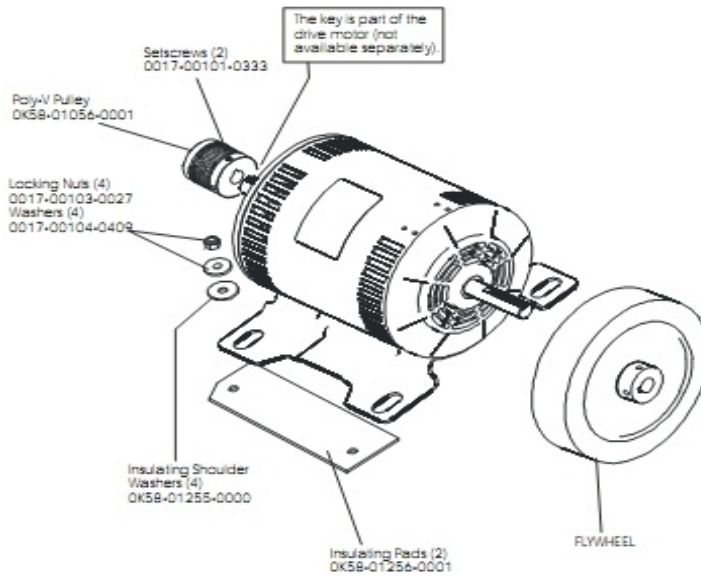
Ref #	Part Number	Qty	Description
-	0K40-01070-0000	2	Magnetic Disk
-	0K58-01280-0000	1	Accessory Cover
-	118E-00001-0259	1	Wireless Receiver Module, Non-Coded
-	0K58-01272-0000	1	Rear Console Case
-	B084-92255-B000	1	PCB Assembly
-	AK58-00322-0000	1	Tether Stop Assembly
-	A084-92185-A009	1	PCB Assembly
-	0K58-01359-0000	1	Rubber Pad
-	0K58-01273-0000	1	Front Console Case
-	0K58-01321-0000	1	Stop Switch
-	0017-00032-0185	1	Micro Switch 150GR
-	0K58-01357-0000	1	Decal
-	0017-00101-1288	8	Hardware: Phillips Screw 0.5"
-	0017-00101-1275	13	Hardware: Phillips Screw 0.375"
-	AK58-00237-0000	1	Cable-Assembly: Polar/E-Stop
-	AK58-00031-0000	1	Side Console Cable Assembly

Console, Overlay Assembly and Overlay



Ref #	Part Number	Qty	Description
-	AK58-00582-0002	1	Console: English/Metric
-	OK58-01296-0001	1	Overlay - English / Metric
-	AK58-00202-0002	1	Overlay Switch Bezel Assembly - English/Metric

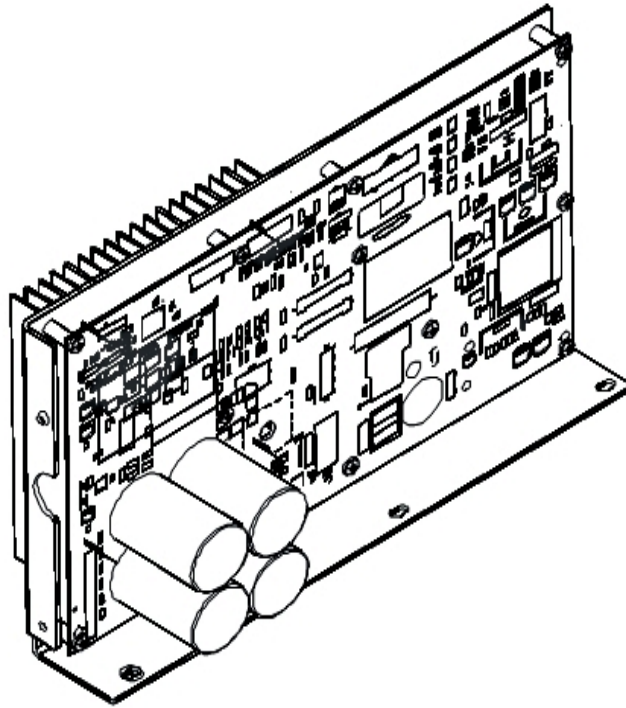
Drive Motor Assembly



Description	Part Nos.	
	S/N TST100000—TST100343	S/N TST100344 and up
Drive Motor Assembly	AK58-00171-0001 (dual cable)	AK58-00171-0002 (tapered shaft)
Cast Iron Flywheel	OK58-01092-0002	OK58-01092-0004
Drive Motor Setscrews/Bolt	0017-00101-0975 (uses setscrews)	0017-00101-1885 (uses bolt)

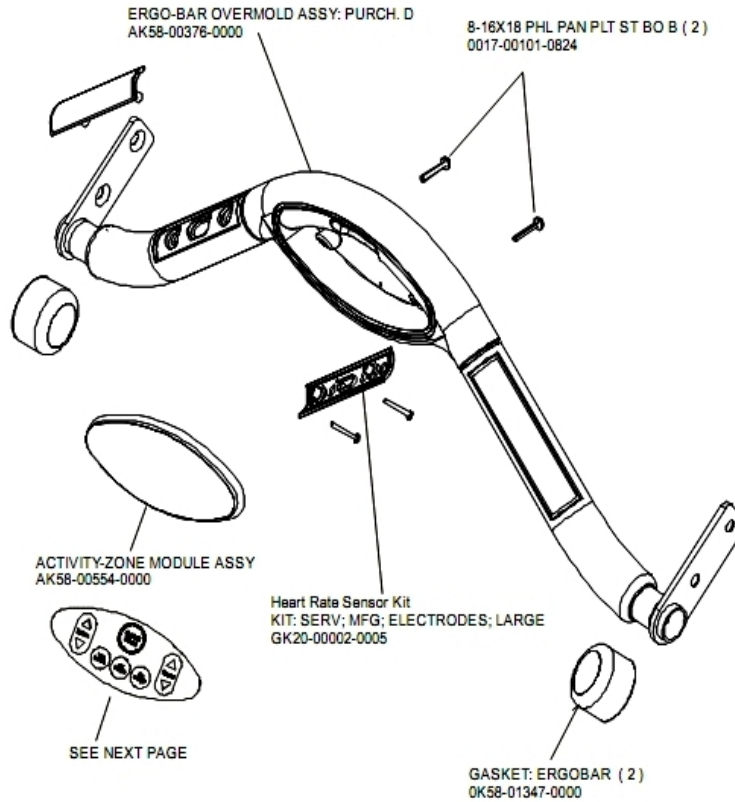
Ref #	Part Number	Qty	Description
-	0017-00101-1885	1	Hardware: Hex Bolt 1"
-	OK58-01255-0000	4	Hardware: Insulating Washers
-	OK58-01092-0004	1	Cast Iron Flywheel
-	OK58-01386-0004	1	MOTOR: MAIN DRIVE, 230V/50HZ, W/TAPER
-	0017-00101-0333	2	Hardware: Screw 0.3125"
-	OK58-01256-0001	2	Insulating Pad
-	OK58-01092-0002	1	Cast Iron Flywheel
-	0017-00103-0027	4	Hardware: Locking Nut. 5/16" ID
-	0017-00104-0409	4	Hardware: Washer 1.125" OD
-	AK58-00171-0001	1	Drive Motor Assembly
-	0017-00101-0975	1	Hardware: Mounting Bolt 0.375"

DSP Controller Assembly



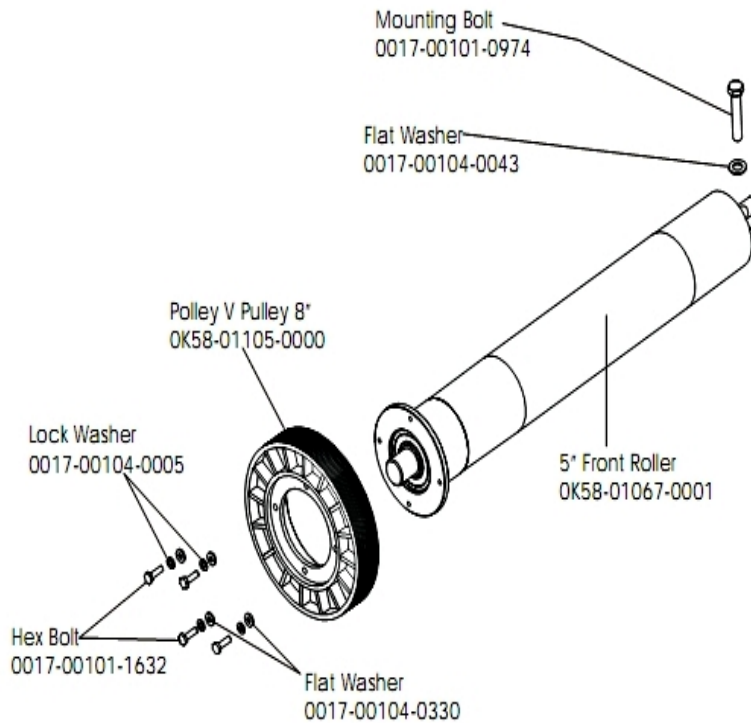
Ref #	Part Number	Qty	Description
-	GK58-00002-0120	1	Display Controller 200-240; LED
-	GK58-00002-0120	1	Display Controller 200-240; LED
-	GK58-00002-0120	1	Display Controller 200-240; LED
-	GK58-00002-0120	1	Display Controller 200-240; LED

Ergo Bar, Heart Rate Sensors and Activity Zone



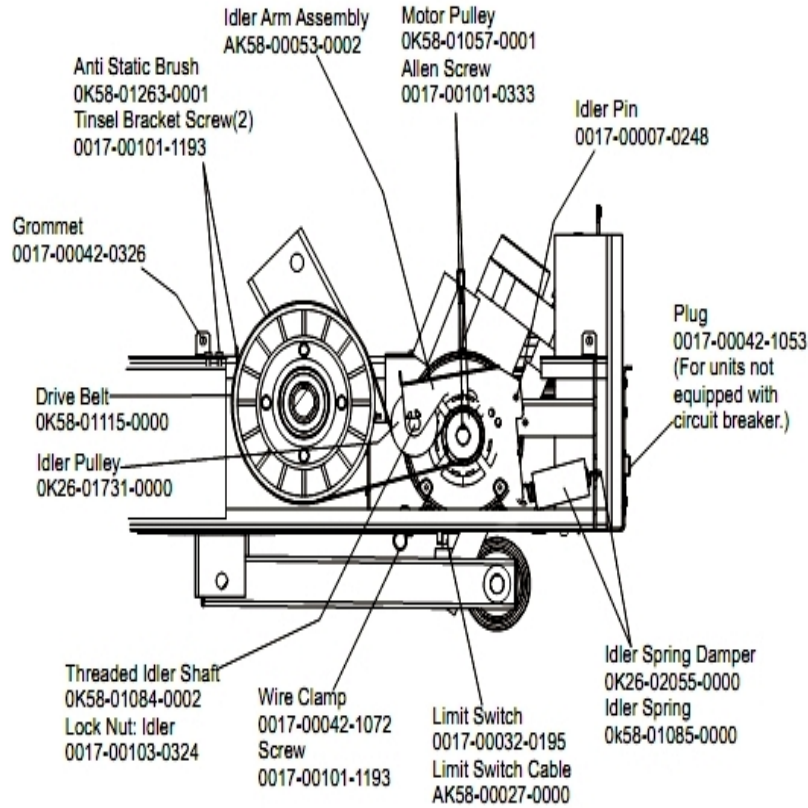
Ref #	Part Number	Qty	Description
-	AK58-00554-0201	1	Activity-Zone Module Assembly: Purchased; Generic Shadow Grey
-	GK20-00002-0005	2	Heart Rate Electrode Kit
-	0017-00101-0824	2	Hardware: Screw 1.125"
-	AK58-00376-0001	1	Ergo-Bar Overmold Assembly
-	OK58-01347-0000	2	ErgoBar Gasket

Front Roller Assembly



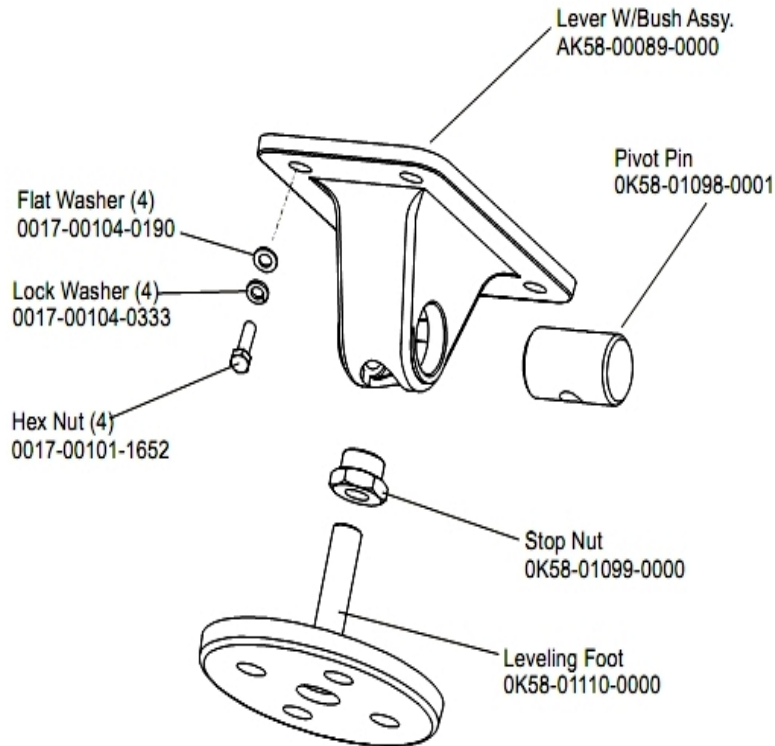
Ref #	Part Number	Qty	Description
-	0017-00101-0974	1	Hardware: Mounting Bolt 2"
-	0017-00101-1632	4	Hardware: Hex Bolt 0.875"
-	OK58-01105-0000	1	Drive Pulley Poly V - 8"
-	OK58-01067-0001	1	Front Roller - 5"
-	0017-00104-0005	4	Hardware: Lock Washer 0.489" OD
-	0017-00104-0330	4	Hardware: Flat Washers 0.562" OD
-	AK58-00067-0000	1	Front Roller Assembly
-	0017-00104-0043	1	Hardware: Flat Washer 0.734" OD

Idler Arm Assembly



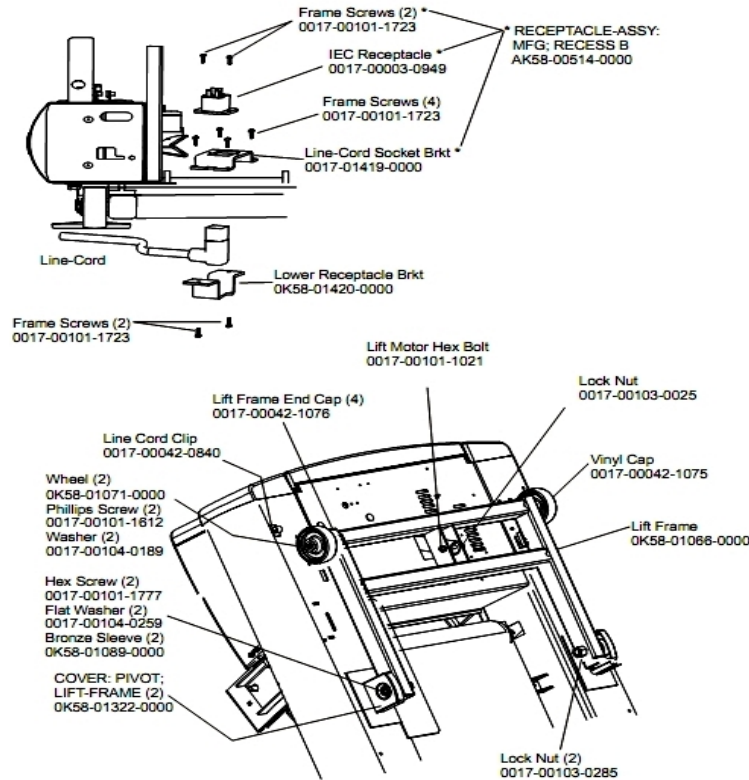
Ref #	Part Number	Qty	Description
-	OK58-01057-0001	1	Drive Pulley - 1.971"
-	OK58-01263-0001	1	Tinsel Bracket
-	0017-00042-1053	1	Plug (For units not equipped with circuit breaker.)
-	0017-00103-0324	1	Hardware: Thin Lock Nut 3/8" ID
-	AK58-00027-0000	1	Limit Switch Cable
-	OK26-01731-0000	1	Plastic Idler 2 5/8" OD
-	OK26-02055-0000	1	Spring Damper
-	0017-00032-0195	1	Home Switch
-	0017-00042-1072	1	Hardware: Wire Clamp - 5/8"
-	0017-00007-0248	1	Hardware: Locking Pin .31" D 2.125" L
-	0017-00042-0326	1	Hardware: Plastic Grommet
-	0017-00101-1193	3	Hardware: Screw 0.375"
-	OK58-01084-0002	1	Threaded Shaft
-	0017-00101-0333	1	Hardware: Screw 0.3125"
-	AK58-00053-0002	1	Idler Arm Assembly
-	OK58-01085-0000	1	Extension Spring
-	GK58-00002-0129	1	KIT: TREADMILL BELT AND PULLEY

Leg Leveler Assembly



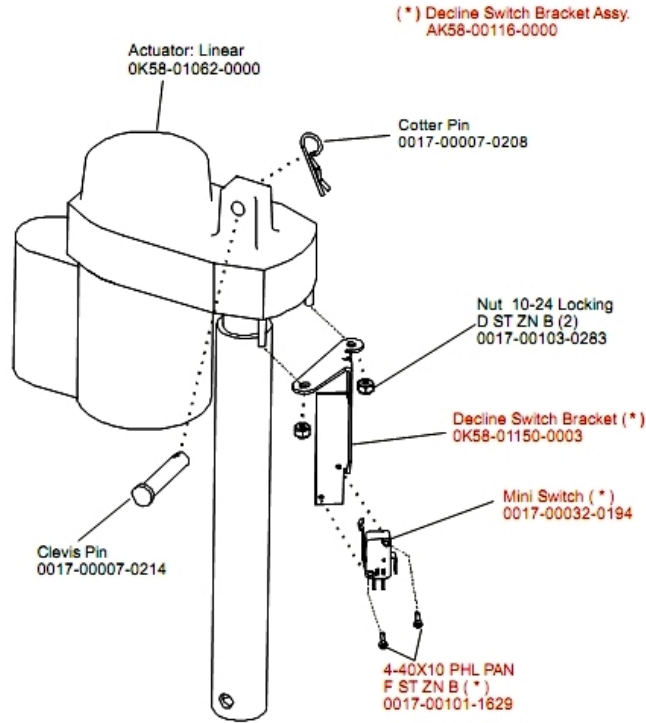
Ref #	Part Number	Qty	Description
-	OK58-01098-0001	2	Hardware: Pivot Pin
-	0017-00104-0333	8	Hardware: Washer 0.683" OD
-	AK58-00464-0000	2	Leveler Assembly
-	AK58-00089-0000	2	Bracket Leveler
-	OK58-01099-0000	2	Hardware: Stop Nut
-	0017-00101-1652	8	Hardware: Spring Mounting Screw 1"
-	0017-00104-0190	8	Hardware: Flat Washer 0.734" OD
-	OK58-01110-0000	2	Leveler Foot

Lift Frame and Receptacle Assembly



Ref #	Part Number	Qty	Description
-	0017-00042-1076	4	Lift Frame End Cap
-	AK58-00220-0000	1	LIFT-FRAME ASSY: MFG. C
-	0K58-01420-0000	1	Lower Receptacle Bracket
-	0K58-01089-0000	2	Bronze Sleeve Bushings
-	0017-00042-0840	1	Hardware: Push Mount Clip
-	0K58-01071-0000	2	Wheel
-	0017-00042-1075	1	Vinyl Cap
-	0017-00101-1612	2	Hardware: Phillips Screw 0.5"
-	0017-00003-0949	1	IEC Receptacle
-	0017-00104-0259	2	Hardware: Washer 1.331" OD
-	0017-00103-0025	1	Hardware: Locking Nut 3/8" ID
-	0017-00101-1021	1	Hardware: Lift Motor Hex Bolt 2.5"
-	AK58-00514-0000	1	Receptacle Assembly
-	0017-00101-1723	8	Hardware: Phillips Pan Screw 0.375"
-	0K58-01419-0000	1	Line Cord Socket Bracket
-	0K58-01322-0000	2	Lift Frame Pivot Cover
-	0017-00103-0285	4	Hardware: Nut 5/8" ID
-	0017-00101-1777	2	Hardware: Lift Frame Mounting Bolt 2.75"
-	0017-00104-0189	2	Hardware: Flat Washer 1" OD

Lift Motor Assembly



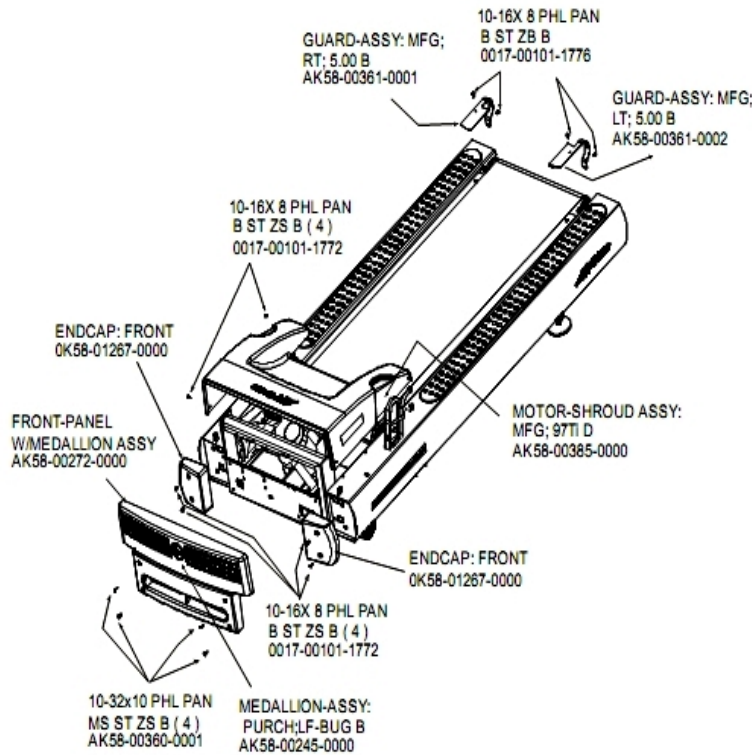
Ref #	Part Number	Qty	Description
-	0017-00032-0194	1	Mini Switch; SPDT
-	0017-00103-0283	2	Hardware: Locking Nut ID
-	0K58-01150-0003	1	Decline Switch Bracket
-	0017-00007-0214	1	Hardware: Clevis Pin 3/8" D 1.75" L
-	AK58-00116-0000	1	Switch Bracket Assembly
-	0017-00007-0208	1	Hardware: Cotter Pin
-	0017-00101-1629	4	Hardware: Phillips Pan Screw 0.625"
-	0K58-01062-0000	1	Lift Motor - 120/60

Miscellaneous

Ref #	Part Number	Qty	Description
-	0017-00009-1049	1	Torx Wrench
-	0017-00101-1773	6	Hardware: TORX Screw 0.5"
-	AK58-00226-0000	1	Hardware Bag
-	0017-00008-0205	1	5 oz Bottle - Arctic Silver
-	M051-00K58-B128	1	Service Instructions - Roller Guards
-	0017-00008-0204	1	Paint Spray Can - Arctic Silver
-	0017-00042-0840	5	Hardware: Push Mount Clip
-	0017-00101-1770	6	Hardware: Phillips Pan Screw 0.5"
-	0K58-01376-0000	2	Anti-Scuff Pad
-	0017-00101-1772	6	Hardware: Phillips Pan Screw 0.5"
-	0K58-01347-0000	2	ErgoBar Gasket
-	0017-00008-0206	1	.33oz Pen - Arctic Silver
-	0017-00042-0326	4	Hardware: Plastic Grommet
-	0017-00042-1147	2	Hardware: Nylon Grommet
-	0017-00103-0327	4	Hardware: Hex Nut 5/16" ID
-	0K58-01305-0002	2	Upright Plug
-	0017-00101-1778	4	Hardware: Hex Bolt 1"
-	0017-00008-0210	1	Paint: Shadow-Gray Touch Up: .6 OZ Bottle
-	0017-00101-1776	4	Hardware: Mounting Screw 0.5"
-	0017-00104-0325	4	Hardware: Washer 0.873" OD
-	GK58-00002-0096	1	Roller Guard kit
-	0017-00008-0211	1	Paint: Shadow-Gray Touch Up: .6 OZ Bottle

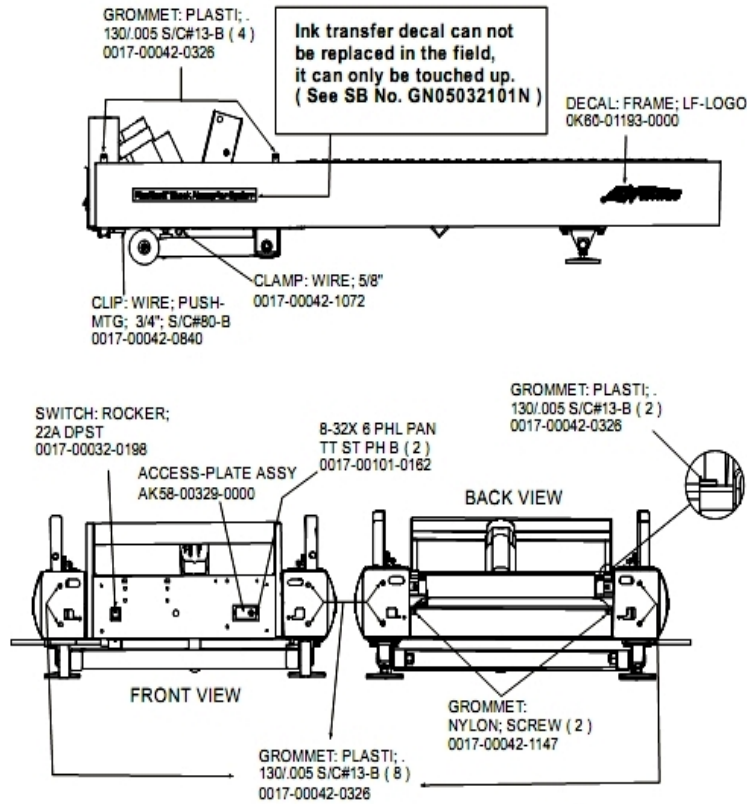
Ref #	Part Number	Qty	Description
-	0017-00101-1774	4	Hardware: TORX Screw 2.5"
-	0017-00101-1780	8	Hardware: Mounting Screws
-	0K58-01391-0001	1	Rear Roller Guard Right
-	0K58-01391-0002	1	Rear Roller Guard Left

Motor Cover, Front Cover and End Caps



Ref #	Part Number	Qty	Description
-	0017-00101-1772	2	Hardware: Phillips Pan Screw 0.5"
-	AK58-00245-0000	1	Bug Medallion
-	AK58-00360-0001	1	Rear Roller Guard: Right
-	0K58-01391-0001	1	Rear Roller Guard Right
-	AK58-00385-0000	1	Motor Cover
-	0017-00101-1776	1	Hardware: Mounting Screw 0.5"
-	0K58-01267-0000	1	End Cap
-	0K58-01391-0002	1	Rear Roller Guard Left
-	AK58-00272-0000	1	Front Panel with Medallion

On/Off Switch, Access Plate and Grommets

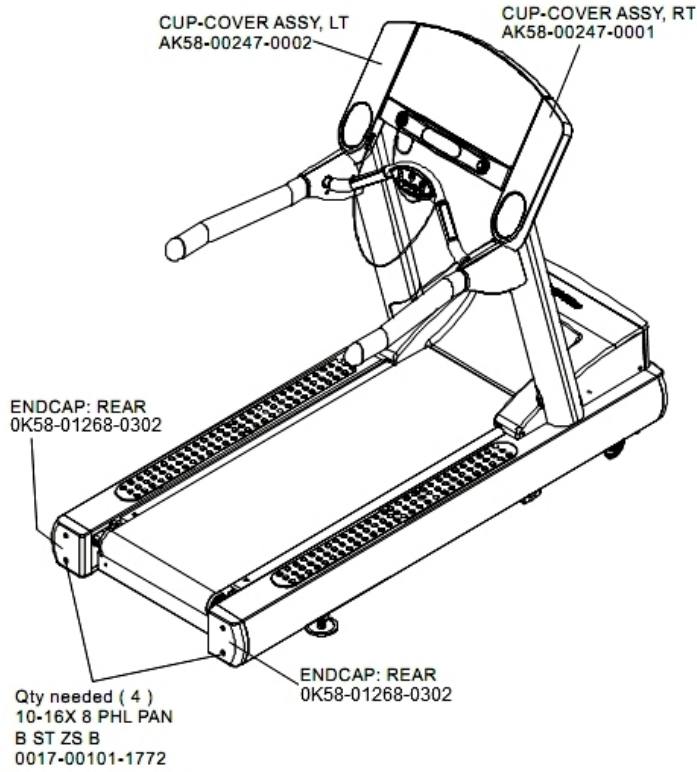


Ref #	Part Number	Qty	Description
-	0017-00042-0840	1	Hardware: Push Mount Clip
-	AK58-00329-0000	1	Access Panel Assembly
-	0017-00101-0162	2	Hardware: Screw 0.375"
-	0017-00032-0198	1	On/Off Switch 22A
-	OK60-01193-0000	2	Decal: LF Logo
-	0017-00042-0326	14	Hardware: Plastic Grommet
-	0017-00042-1147	2	Hardware: Nylon Grommet
-	0017-00042-1072	1	Hardware: Wire Clamp - 5/8"

Optional Line Cords

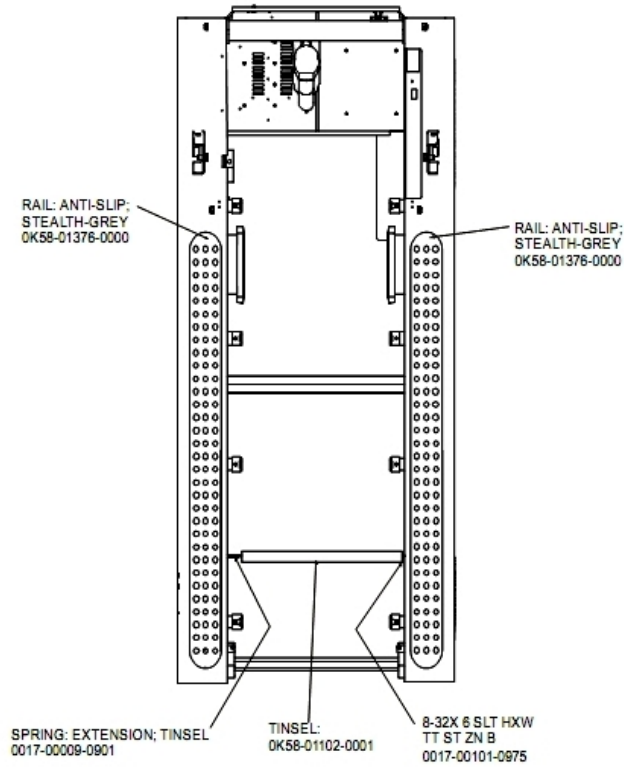
Ref #	Part Number	Qty	Description
-	0017-00003-0781	1	Line Cord: US High Voltage
-	0017-00003-0981	1	LINE-CORD: R/A; with PLUG 220/60 7.5'
-	0017-00003-0980	1	Line Cord: US Low Voltage 144"
-	0017-00003-0948	1	12' 220v Line Cord

Rear End Caps and Cup Holders



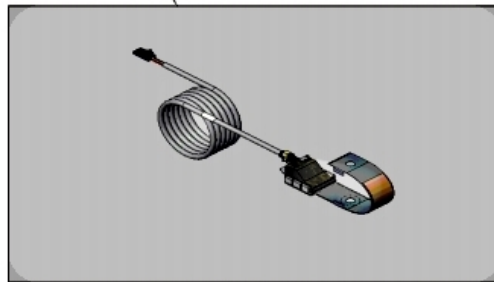
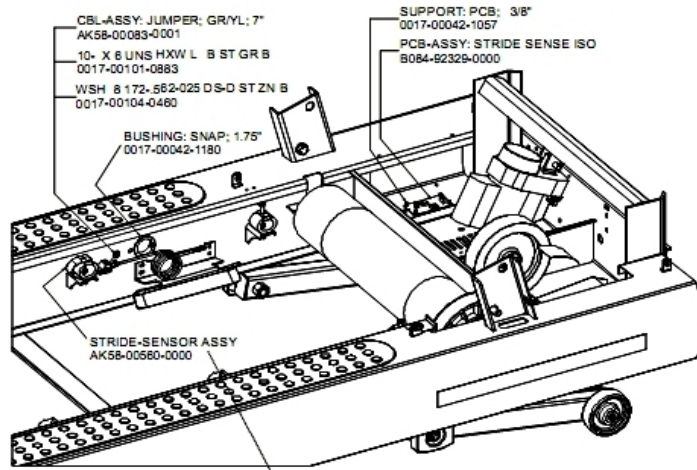
Ref #	Part Number	Qty	Description
-	AK58-00247-0002	1	Cup Holder Left
-	OK58-01268-0302	2	ENDCAP: REAR; STEALTH D
-	0017-00101-1772	1	Hardware: Phillips Pan Screw 0.5"
-	AK58-00247-0001	1	Cup Holder Right

Scuff Pad and Tinsel



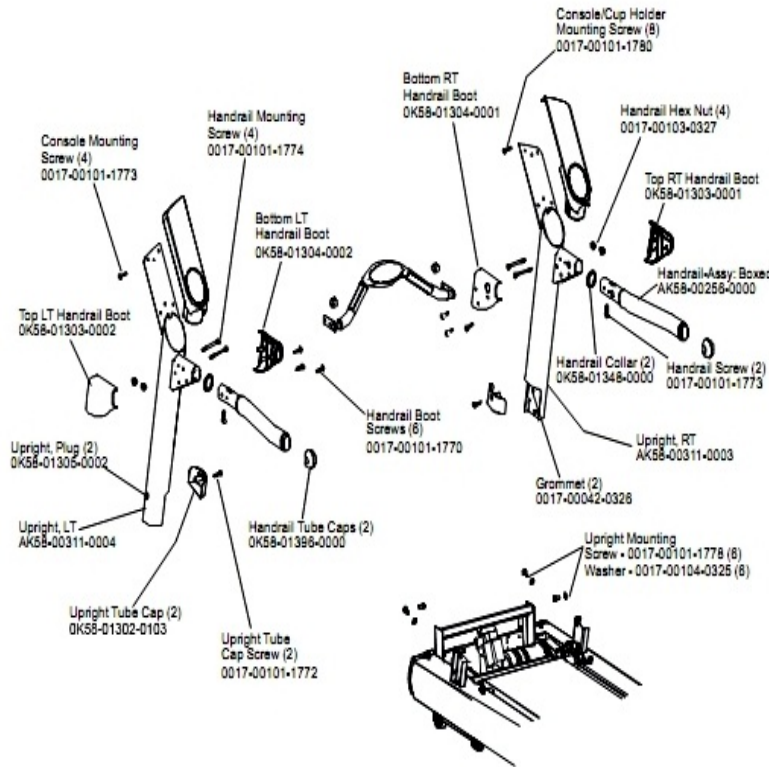
Ref #	Part Number	Qty	Description
-	0017-00009-0901	1	Tinsel Extension Spring
-	0017-00101-0975	1	Hardware: Mounting Bolt 0.375"
-	OK58-01376-0000	2	Anti-Scuff Pad
-	OK58-01102-0001	1	Anti-Static Tinsel

Stride Sensor Assembly and Stride Sensor



Ref #	Part Number	Qty	Description
-	AK58-00560-0000	1	Stride Sensor Assembly
-	0017-00042-1057	1	Support: Printed Circuit Board; 3/8"
-	0017-00042-1180	1	Hardware: Snap Bushing - 1.75"
-	B084-92329-0000	1	PCB-ASSY: STRIDE SENSE ISO

Uprights and Handrails



Ref #	Part Number	Qty	Description
-	0K58-01304-0002	1	Bottom Left Handrail Boot
-	0K58-01304-0001	1	Bottom Right Handrail Boot
-	0K58-01303-0002	1	Top Left Handrail Boot
-	0017-00101-1772	2	Hardware: Phillips Pan Screw 0.5"
-	0017-00104-0325	6	Hardware: Washer 0.873" OD
-	0017-00101-1773	6	Hardware: TORX Screw 0.5"
-	0017-00101-1778	1	Hardware: Hex Bolt 1"
-	AK58-00311-0004	1	Upright: Left
-	AK58-00256-0001	1	Handrail
-	0K58-01305-0002	2	Upright Plug
-	0K58-01302-0103	2	Cap: Upright Tube; Arctic Silver
-	0017-00103-0327	4	Hardware: Hex Nut 5/16" ID
-	0017-00042-0326	2	Hardware: Plastic Grommet
-	0K58-01348-0000	2	Handrail Collar
-	AK58-00311-0003	1	Upright: Right
-	0017-00101-1780	8	Hardware: Mounting Screws
-	0017-00101-1774	4	Hardware: TORX Screw 2.5"
-	0K58-01303-0001	1	Top Right Handrail Boot
-	0K58-01396-0000	2	Endcap
-	0017-00101-1770	6	Hardware: Phillips Pan Screw 0.5"

