

97Ti Treadmill - 4HP AC - Lifepulse - Decline

97T-0105-02

Parts Manual

1/5/2019 11:47:48 AM

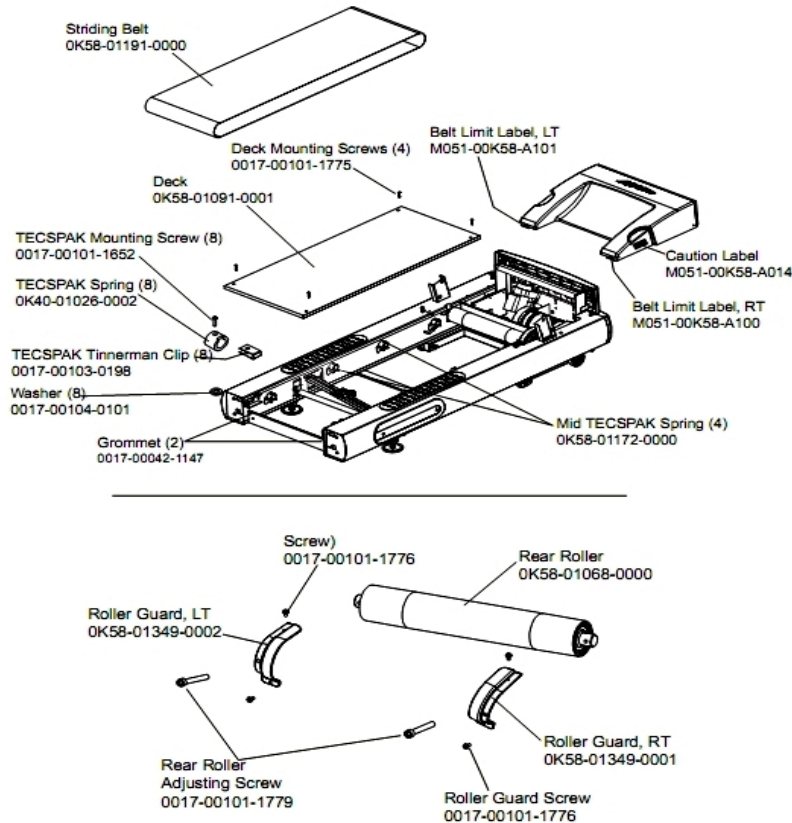


LifeFitness
WHAT WE LIVE FOR

Table of Contents

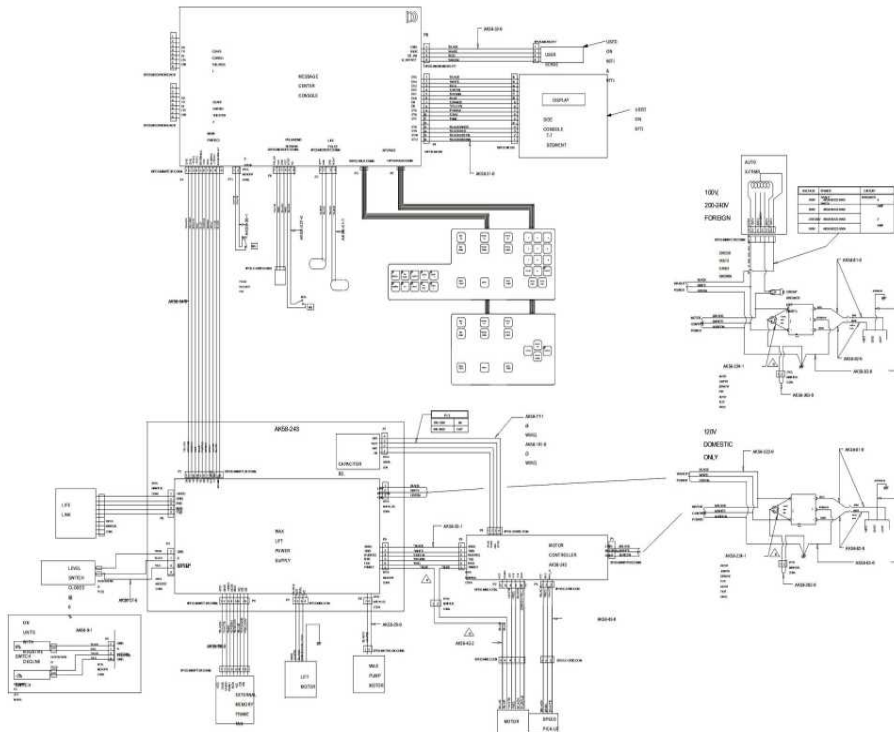
Belt, Deck, and Rear Roller.....	3
Cables.....	4
Console Assembly.....	5
Covers, End Caps and Hardware.....	6
Drive Motor Assembly.....	7
Ergo Bar with Lifepulse.....	8
Frame Assembly.....	9
Front Roller Assembly.....	10
General Assembly.....	11
Handrail Assembly.....	12
Idler Arm Assembly.....	13
Leveler Assembly.....	14
Lift Motor and Frame.....	15
Motor Controller Assembly.....	17
Power Components.....	18
Wax Components.....	19
Wax/Lift Assembly.....	20

Belt, Deck, and Rear Roller



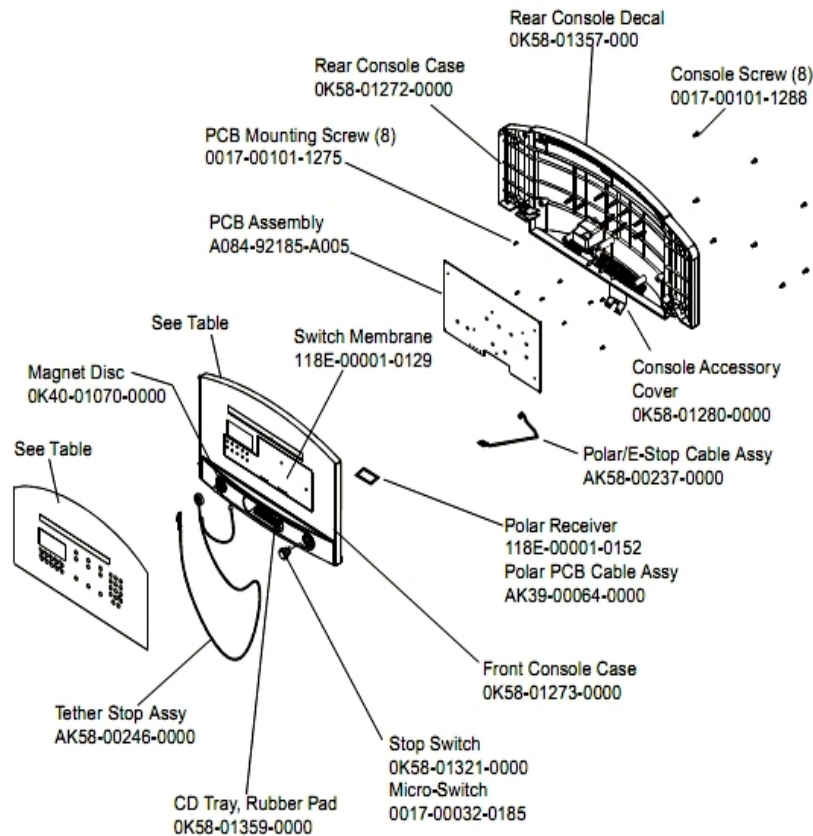
Ref #	Part Number	Qty	Description
-	0017-00101-1775	4	Hardware: Deck Screws 1.25"
-	M051-00K58-A101	1	Belt Limit Label. Left
-	OK58-01349-0001	1	Rear Roller Guard Right
-	0017-00103-0198	8	Hardware: Tinnerman Clip 1/4" ID
-	0017-00101-1779	2	Hardware: Rear Roller Adjusting Bolt
-	OK58-01191-0000	1	Striding Belt
-	OK58-01172-0000	4	TECSPAK Spring
-	0017-00042-1147	2	Hardware: Nylon Grommet
-	0017-00101-1652	8	Hardware: Spring Mounting Screw 1"
-	OK58-01349-0002	1	Rear Roller Guard Left
-	0017-00104-0101	8	Hardware: Flat Washer 0.437" OD
-	OK58-01068-0000	1	Rear Roller - 5"
-	OK58-01091-0001	1	Deck
-	M051-00K58-A014	1	Label: Caution
-	0017-00101-1776	4	Hardware: Mounting Screw 0.5"
-	OK40-01026-0002	8	Deck Spring

Cables



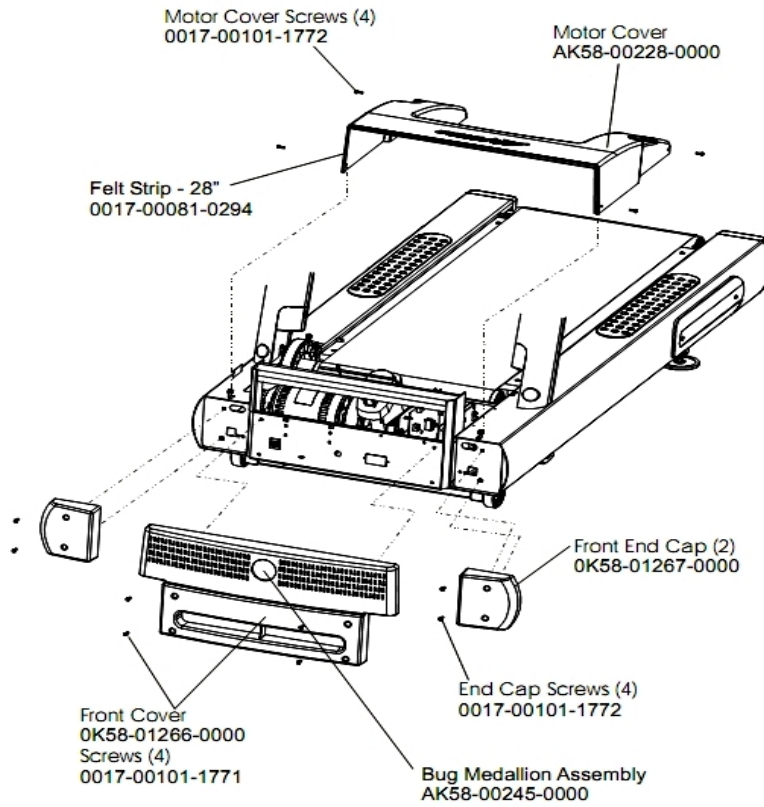
Ref #	Part Number	Qty	Description
-	AK58-00181-0000	1	Cap Board Cable 3-Wire
-	AK58-00027-0000	1	Limit Switch Cable
-	AK58-00035-0001	1	Motor Controller Interface Cable
-	AK58-00029-0000	1	Wax Pump Cable
-	AK58-00223-0003	1	Power Cable Assembly 220-230V
-	AK58-00032-0000	1	User Proximity Sensor Cable
-	AK58-00224-0001	1	Cable: MOV; Fliter
-	AK60-00009-0001	1	Negative Switch Cable Assembly
-	AK58-00237-0000	1	Cable-Assembly: Polar/E-Stop
-	AK58-00077-0001	1	Cap Board Cable - Domestic
-	AK58-00083-0000	2	Cable Assembly
-	AK58-00030-0000	1	Frame Tag Cable
-	AK58-00082-0000	2	Jumper Cable Assembly: White - 6"
-	AK58-00042-0003	1	Cable Motor Drive Extension INT
-	AK58-00222-0000	1	Power Cable Assembly 120V
-	AK58-00031-0000	1	Side Console Cable Assembly
-	AK58-00034-0000	1	Console Cable
-	AK58-00041-0001	1	Heart Rate Sensor Cable
-	AK58-00263-0000	1	Hi-Pot Jumper Cable
-	AK58-00081-0000	2	Jumper Cable Assembly: Black - 4"
-	AK58-00043-0000	1	Speed Sensor Cable
-	AK58-00036-0000	1	Cable-Assembly: Emergency-Stop Switch

Console Assembly



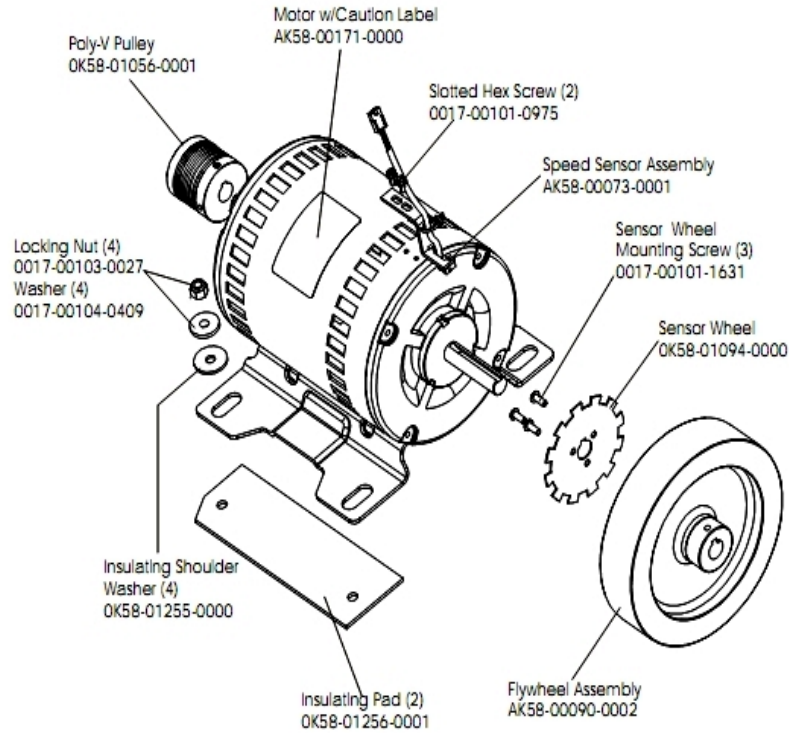
Ref #	Part Number	Qty	Description
-	118E-00001-0259	1	Wireless Receiver Module, Non-Coded
-	0K40-01070-0000	1	Magnetic Disk
-	AK58-00196-0001	1	Console Assembly - English/Metric
-	0K58-01359-0000	1	Rubber Pad
-	0K58-01273-0000	1	Front Console Case
-	AK58-00237-0000	1	Cable-Assembly: Polar/E-Stop
-	118E-00001-0244	1	Heart Rate Receiver
-	0K58-01296-0001	1	Overlay - English / Metric
-	AK58-00202-0001	1	Overlay Switch Bezel Assembly - English/European
-	118E-00001-0129	1	Switch Membrane
-	0K58-01321-0000	1	Stop Switch
-	A084-92185-A009	1	PCB Assembly
-	AK58-00322-0000	1	Tether Stop Assembly
-	0K58-01272-0000	1	Rear Console Case
-	0K58-01357-0000	1	Decal
-	0017-00101-1288	8	Hardware: Phillips Screw 0.5"
-	0017-00101-1275	8	Hardware: Phillips Screw 0.375"
-	0K58-01280-0000	1	Accessory Cover
-	0017-00032-0185	1	Micro Switch 150GR

Covers, End Caps and Hardware



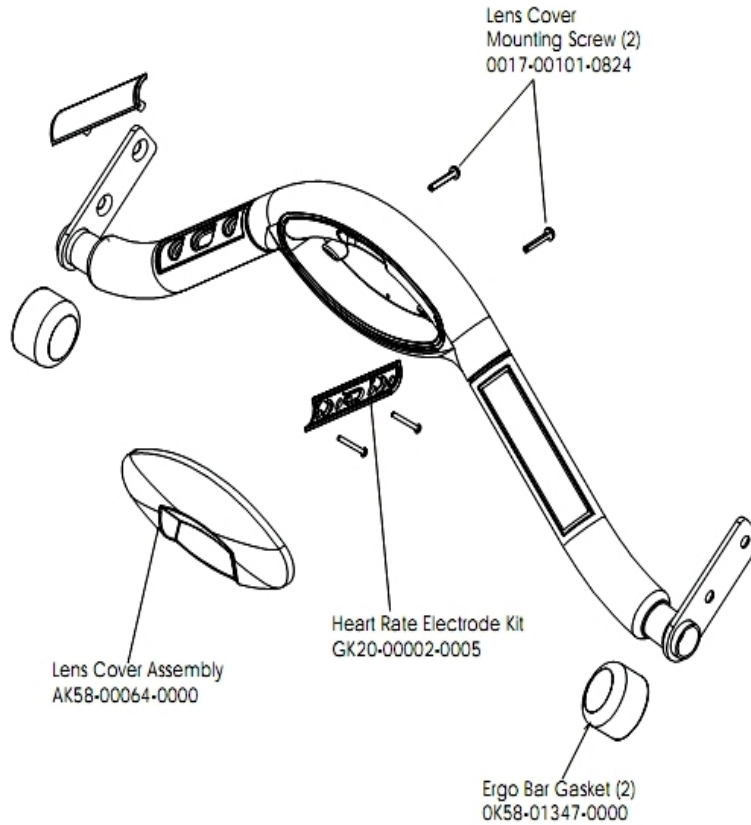
Ref #	Part Number	Qty	Description
-	0017-00101-1772	8	Hardware: Phillips Pan Screw 0.5"
-	AK58-00245-0000	1	Bug Medallion
-	0K58-01267-0000	2	End Cap
-	0017-00081-0294	1	Felt Strip - 28"
-	AK58-00228-0000	1	Motor Cover
-	0017-00101-1771	4	Hardware: Phillips Pan Screw
-	0K58-01266-0000	1	Front Cover

Drive Motor Assembly



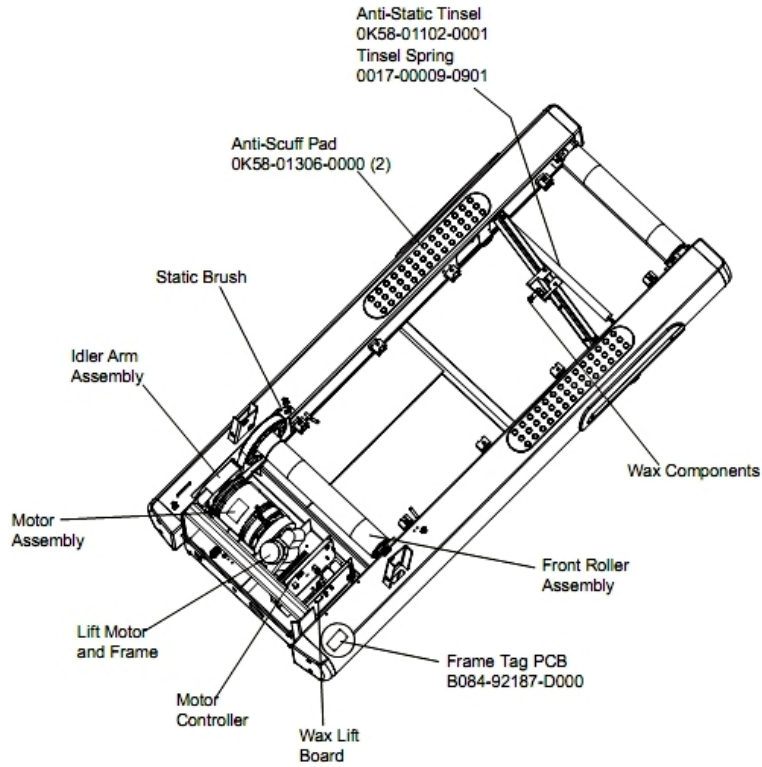
Ref #	Part Number	Qty	Description
-	0017-00101-0975	2	Hardware: Mounting Bolt 0.375"
-	0017-00103-0027	4	Hardware: Locking Nut. 5/16" ID
-	AK58-00171-0000	1	Motor with Caution Label
-	AK58-00073-0001	1	Speed Sensor Assembly
-	0017-00104-0409	4	Hardware: Washer 1.125" OD
-	OK58-01094-0000	1	Sensor Wheel
-	AK58-00090-0002	1	Flywheel Assembly
-	OK58-01256-0001	2	Insulating Pad
-	0017-00101-1631	3	Hardware: Sensor Wheel Mounting Screw
-	OK58-01255-0000	4	Hardware: Insulating Washers

Ergo Bar with Lifepulse



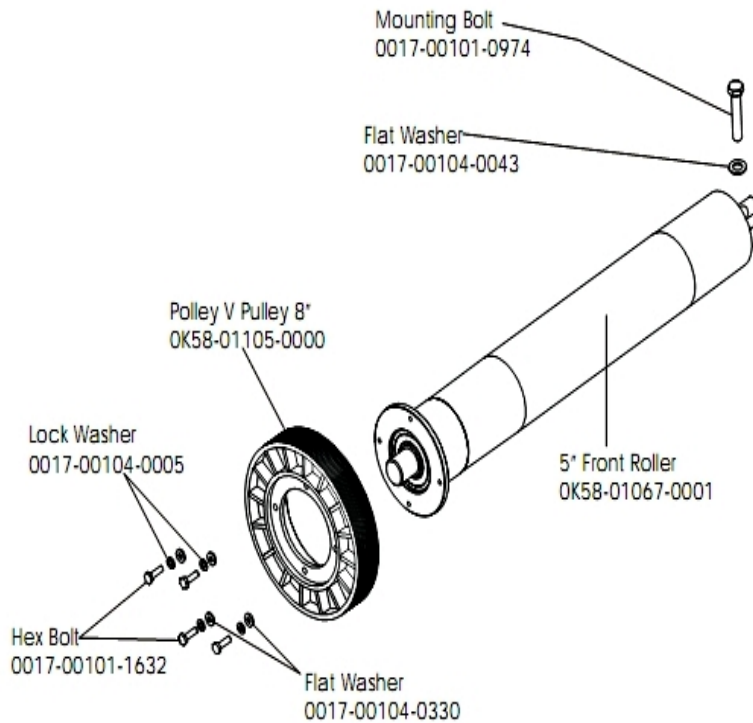
Ref #	Part Number	Qty	Description
-	AK58-00064-0000	1	I/R Lens Cover Assembly
-	0017-00101-0824	2	Hardware: Screw 1.125"
-	OK58-01347-0000	2	ErgoBar Gasket
-	GK20-00002-0005	2	Heart Rate Electrode Kit

Frame Assembly



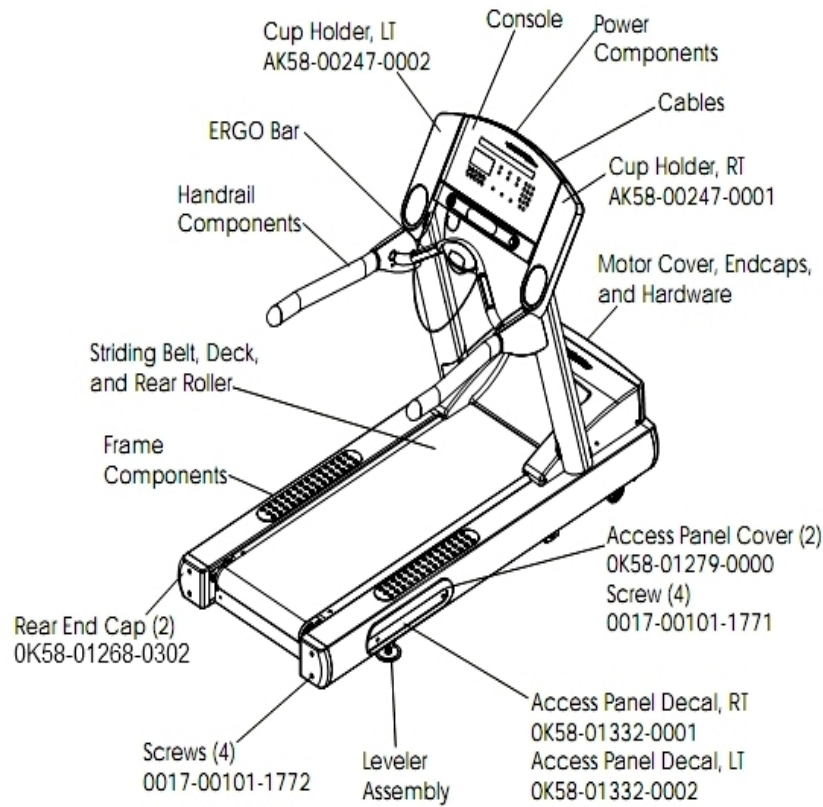
Ref #	Part Number	Qty	Description
-	0K58-01102-0001	1	Anti-Static Tinsel
-	0017-00009-0901	1	Tinsel Extension Spring
-	B084-92187-D000	1	Frame Tag PCB
-	0K58-01376-0000	2	Anti-Scuff Pad

Front Roller Assembly



Ref #	Part Number	Qty	Description
-	0017-00104-0005	4	Hardware: Lock Washer 0.489" OD
-	0017-00104-0330	4	Hardware: Flat Washers 0.562" OD
-	AK58-00067-0000	1	Front Roller Assembly
-	0017-00104-0043	1	Hardware: Flat Washer 0.734" OD
-	OK58-01067-0001	1	Front Roller - 5"
-	0017-00101-1632	4	Hardware: Hex Bolt 0.875"
-	0017-00101-0974	1	Hardware: Mounting Bolt 2"
-	OK58-01105-0000	1	Drive Pulley Poly V - 8"

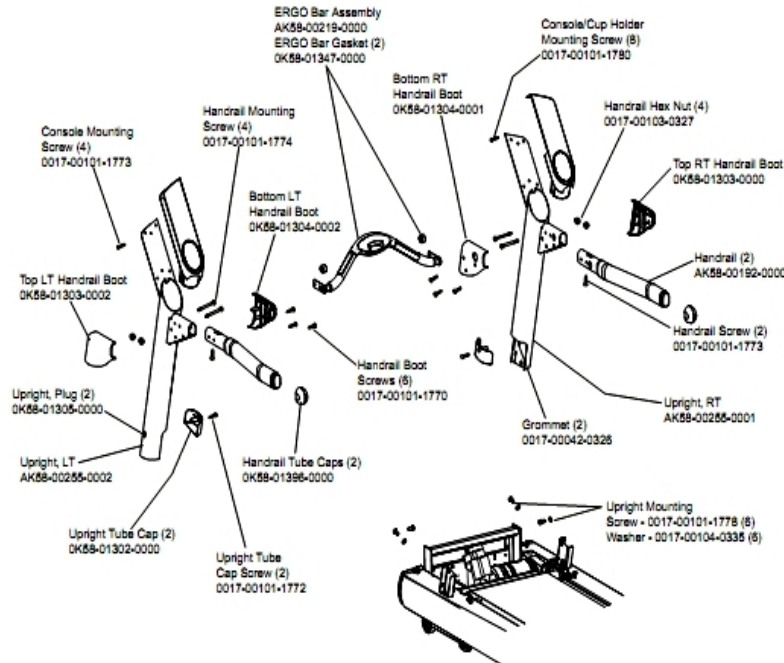
General Assembly



Ref #	Part Number	Qty	Description
-	OK58-01332-0001	1	Access Panel Decal Right
-	OK58-01332-0002	1	Access Panel Decal Left
-	0017-00008-0197	1	Paint: Silver Bullet; 4.5OZ. Can
-	0017-00008-0199	1	Paint: Stealth Grey; 4.5OZ. Can
-	OK58-01268-0302	2	ENDCAP: REAR; STEALTH D
-	0017-00101-1772	4	Hardware: Phillips Pan Screw 0.5"
-	0017-00008-0198	1	Paint: Stealth Grey; .6OZ. Bottle B
-	0017-00101-1771	4	Hardware: Phillips Pan Screw
-	AK58-00247-0001	1	Cup Holder Right
-	0017-00008-0196	1	Paint: Silver Bullet; .6OZ. Bottle
-	AK58-00247-0002	1	Cup Holder Left
-	OK58-01279-0000	2	Access Panel Cover

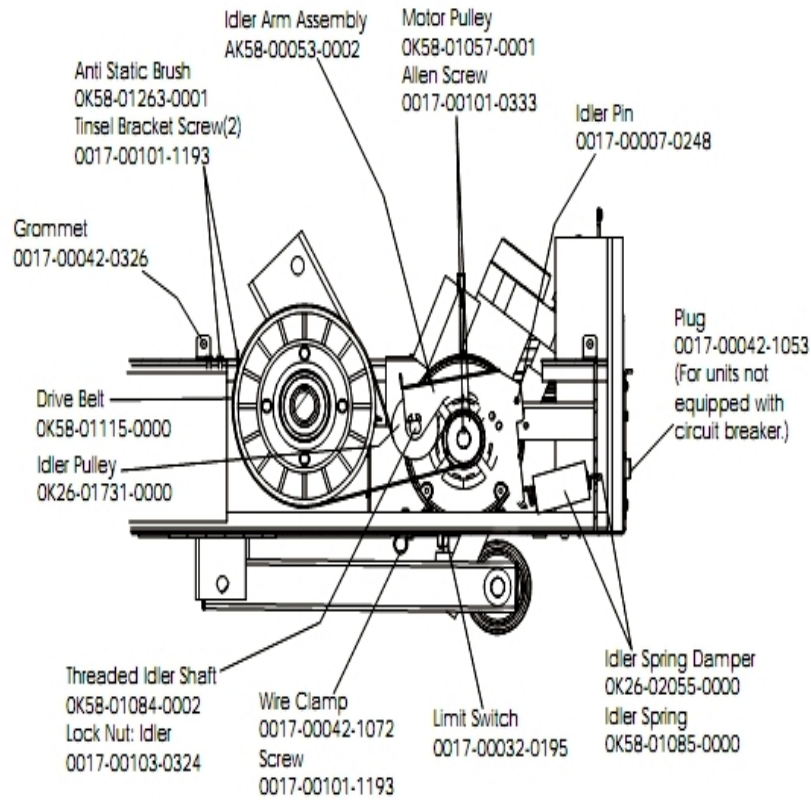
Handrail Assembly

Hardware Bag Assembly AK58-00226-0001



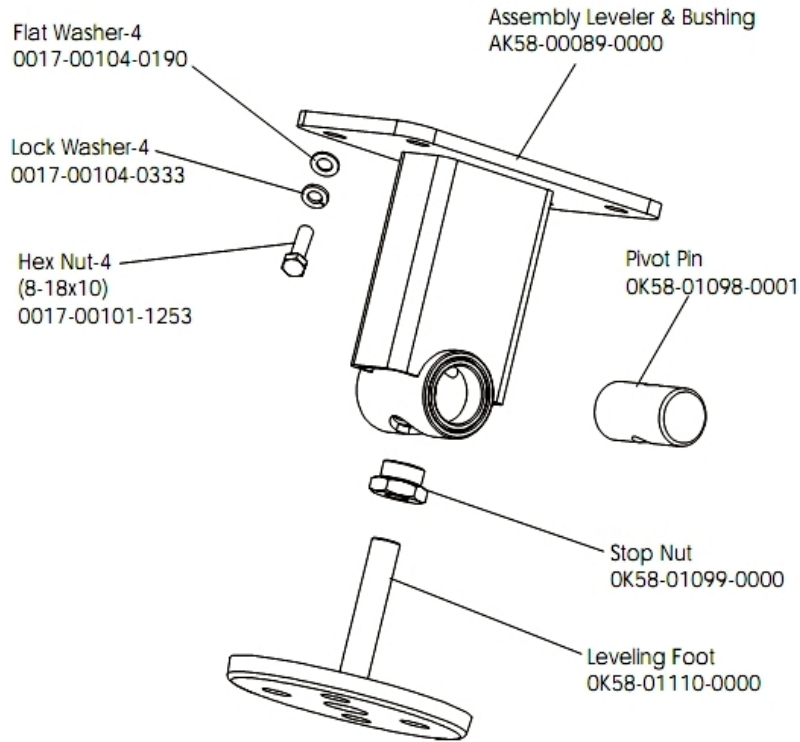
Ref #	Part Number	Qty	Description
-	0017-00101-1773	6	Hardware: TORX Screw 0.5"
-	AK58-00311-0003	1	Upright: Right
-	0K58-01396-0000	2	Endcap
-	0K58-01303-0002	1	Top Left Handrail Boot
-	0K58-01304-0001	1	Bottom Right Handrail Boot
-	0K58-01304-0002	1	Bottom Left Handrail Boot
-	AK58-00219-0000	1	Ergo Bar with Heart Rate Sensors
-	0017-00101-1772	2	Hardware: Phillips Pan Screw 0.5"
-	0K58-01303-0001	1	Top Right Handrail Boot
-	0K58-01347-0000	2	ErgoBar Gasket
-	0017-00042-0326	2	Hardware: Plastic Grommet
-	0017-00103-0327	4	Hardware: Hex Nut 5/16" ID
-	0K58-01302-0103	2	Cap: Upright Tube; Arctic Silver
-	0K58-01305-0002	2	Upright Plug
-	AK58-00256-0001	2	Handrail
-	AK58-00311-0004	1	Upright: Left
-	0017-00101-1778	6	Hardware: Hex Bolt 1"
-	AK58-00226-0001	1	Hardware Bag
-	0017-00101-1774	4	Hardware: TORX Screw 2.5"
-	0017-00101-1780	8	Hardware: Mounting Screws
-	0017-00104-0335	6	Hardware: Handrail Washer
-	0017-00101-1770	6	Hardware: Phillips Pan Screw 0.5"

Idler Arm Assembly



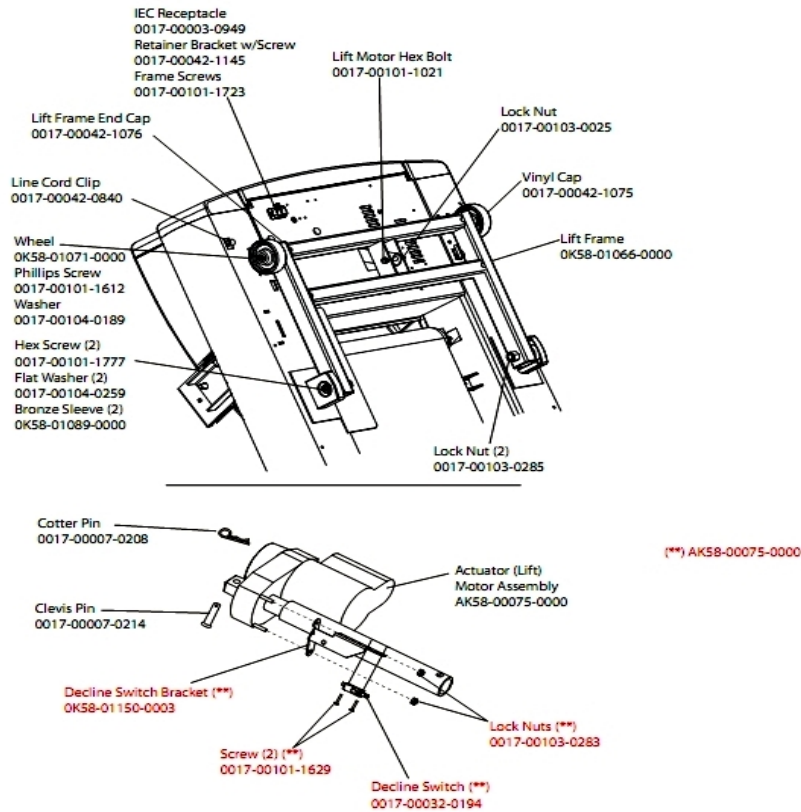
Ref #	Part Number	Qty	Description
-	OK58-01057-0001	1	Drive Pulley - 1.971"
-	OK58-01263-0001	1	Tinsel Bracket
-	0017-00042-1053	1	Plug (For units not equipped with circuit breaker.)
-	0017-00103-0324	1	Hardware: Thin Lock Nut 3/8" ID
-	OK26-01731-0000	1	Plastic Idler 2 5/8" OD
-	OK26-02055-0000	1	Spring Damper
-	0017-00032-0195	1	Home Switch
-	0017-00042-1072	1	Hardware: Wire Clamp - 5/8"
-	0017-00007-0248	1	Hardware: Locking Pin .31" D 2.125" L
-	0017-00042-0326	1	Hardware: Plastic Grommet
-	0017-00101-1193	3	Hardware: Screw 0.375"
-	OK58-01084-0002	1	Threaded Shaft
-	0017-00101-0333	1	Hardware: Screw 0.3125"
-	AK58-00053-0002	1	Idler Arm Assembly
-	OK58-01085-0000	1	Extension Spring
-	GK58-00002-0129	1	KIT: TREADMILL BELT AND PULLEY

Leveler Assembly



Ref #	Part Number	Qty	Description
-	0017-00104-0190	8	Hardware: Flat Washer 0.734" OD
-	AK58-00089-0000	2	Bracket Leveler
-	AK58-00370-0000	2	Leveler Assembly
-	OK58-01110-0000	2	Leveler Foot
-	0017-00104-0333	8	Hardware: Washer 0.683" OD
-	0017-00101-1253	8	Hardware: Screw
-	OK58-01099-0000	2	Hardware: Stop Nut
-	OK58-01098-0001	2	Hardware: Pivot Pin

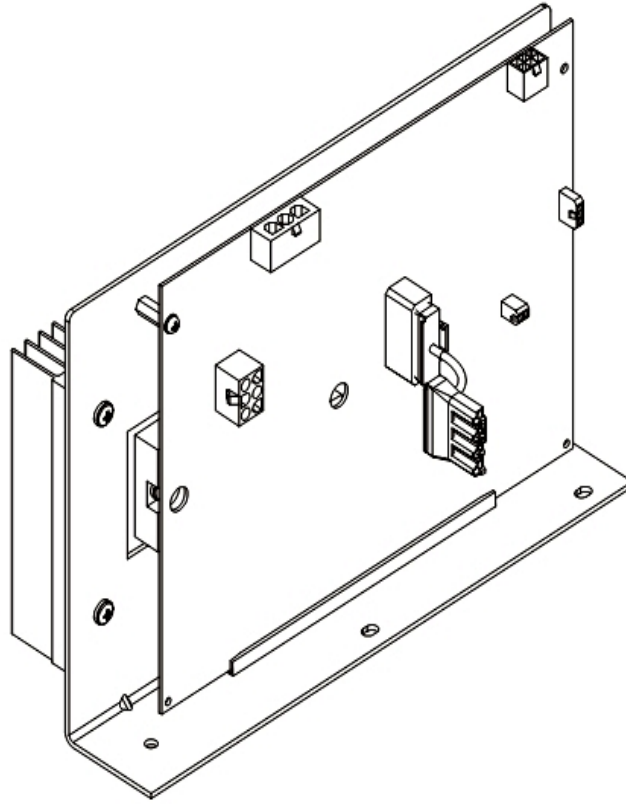
Lift Motor and Frame



Ref #	Part Number	Qty	Description
-	0017-00103-0285	2	Hardware: Nut 5/8" ID
-	0017-00007-0208	1	Hardware: Cotter Pin
-	0017-00101-1621	2	Hardware: Phillips Screw 0.5"
-	0017-00101-1629	2	Hardware: Phillips Pan Screw 0.625"
-	0017-00101-1777	2	Hardware: Lift Frame Mounting Bolt 2.75"
-	0017-00104-0189	2	Hardware: Flat Washer 1" OD
-	0K58-01150-0003	1	Decline Switch Bracket
-	0017-00101-1723	1	Hardware: Phillips Pan Screw 0.375"
-	0017-00032-0194	1	Mini Switch; SPDT
-	0017-00042-1145	1	Power Cord Retainer
-	0017-00101-1021	1	Hardware: Lift Motor Hex Bolt 2.5"
-	0017-00103-0025	1	Hardware: Locking Nut 3/8" ID
-	0017-00104-0259	2	Hardware: Washer 1.331" OD
-	0017-00003-0949	1	IEC Receptacle
-	0017-00042-1076	1	Lift Frame End Cap
-	AK58-00220-0000	1	LIFT-FRAME ASSY: MFG. C
-	AK58-00075-0000	2	Lift Motor Bracket Assembly
-	0K58-01089-0000	2	Bronze Sleeve Bushings
-	0017-00042-0840	1	Hardware: Push Mount Clip
-	0K58-01071-0000	2	Wheel
-	0017-00042-1075	1	Vinyl Cap
-	0017-00103-0283	1	Hardware: Locking Nut ID

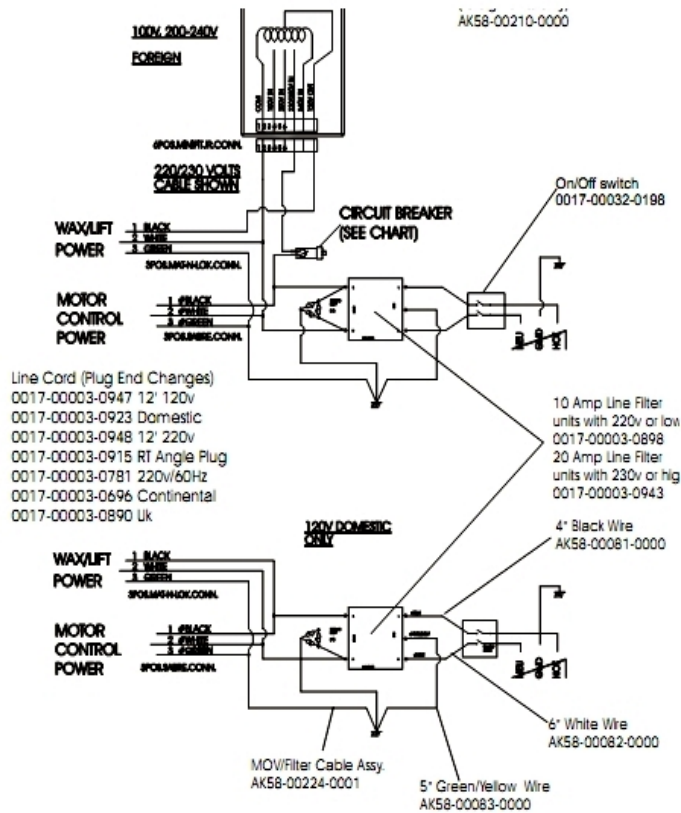
Ref #	Part Number	Qty	Description
-	0017-00007-0214	1	Hardware: Clevis Pin 3/8" D 1.75" L

Motor Controller Assembly



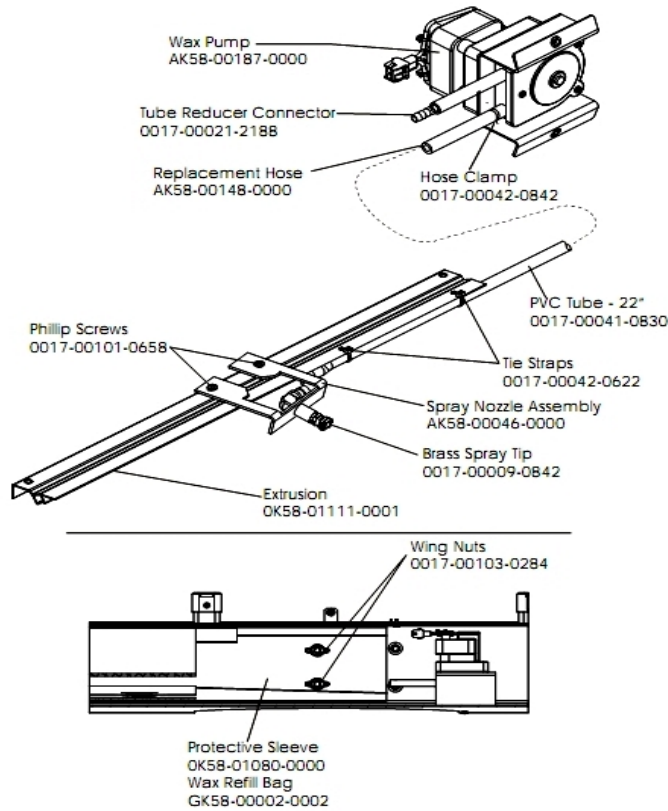
Ref #	Part Number	Qty	Description
-	GK65-00002-0018	1	Kit: Service; Motor Controller; 100-120VA; Display
-	AK58-00522-0000	1	Cable: Jumper; Power; LED Console

Power Components



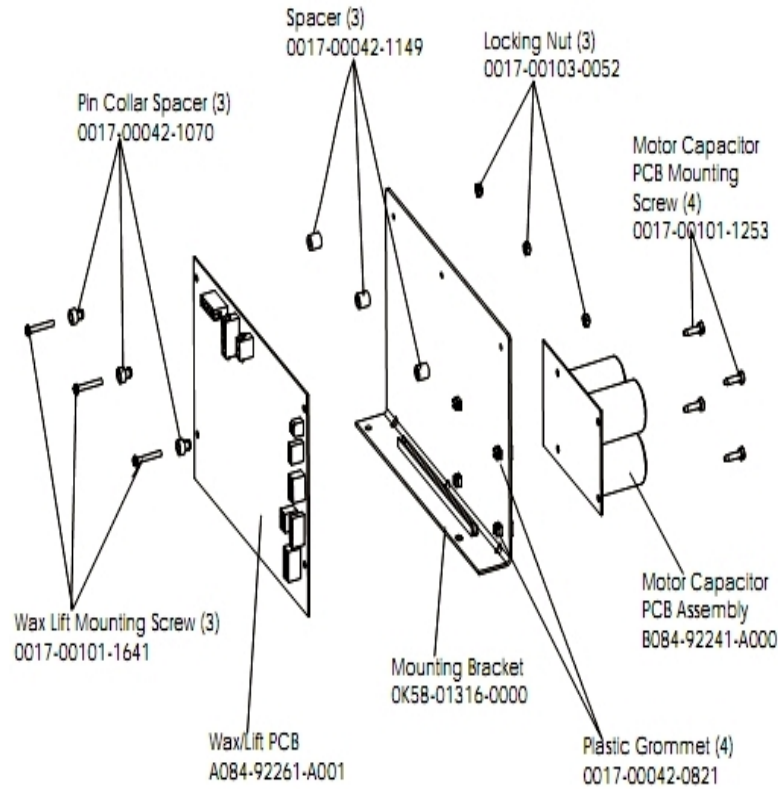
Ref #	Part Number	Qty	Description
-	0017-00003-0974	1	Line Cord: 120V: 8'
-	AK58-00081-0000	1	Jumper Cable Assembly: Black - 4"
-	0017-00032-0198	1	On/Off Switch 22A
-	AK58-00210-0000	1	Transformer-Bracket Assembly
-	AK58-00258-0005	1	Cable-Assembly: Power; 100V S/C#2-D
-	AK58-00082-0000	1	Jumper Cable Assembly: White - 6"
-	AK58-00224-0001	1	Cable: MOV; Fliter
-	0017-00003-0915	1	Line Cord RT Angle Plug
-	AK58-00083-0000	1	Cable Assembly
-	0017-00003-0898	1	10 amp Line Filter (INT)
-	0017-00003-0947	1	Line Cord: 120V; 20A; 12'
-	0017-00003-0950	1	100v 4 AMP Breaker

Wax Components



Ref #	Part Number	Qty	Description
-	AK58-00046-0000	1	Spray Nozzle Assembly
-	AK58-00187-0000	1	Wax Pump
-	OK58-01080-0000	1	Protective Sleeve
-	0017-00041-0830	1	TUBING: PVC; REINFORCED B
-	0017-00103-0284	2	Hardware: Wing Nut
-	0017-00101-0658	1	Hardware: Access Panel Screws
-	0017-00009-0842	1	Brass Spray Tip
-	0017-00042-0622	1	Cable Tie
-	OK58-01111-0001	1	Extrusion Assembly
-	AK58-00148-0000	1	Replacement Hose
-	GK58-00002-0002	1	Wax Refill Bag
-	0017-00021-2188	1	Tube Reducer Connector
-	0017-00042-0842	1	Hose Clamp

Wax/Lift Assembly



Ref #	Part Number	Qty	Description
-	0017-00042-1070	3	Pin Collar Spacer
-	0017-00103-0052	3	Hardware: Locking Nut ID
-	0K58-01316-0000	1	Mounting Bracket
-	B084-92241-A000	1	Motor Capacitor PCB Assembly
-	0017-00042-0821	4	Hardware: Plastic Grommet
-	A084-92261-A001	1	Wax/Lift PCB
-	0017-00101-1641	3	Hardware: Phillips Pan Screw
-	0017-00101-1253	4	Hardware: Screw
-	0017-00042-1149	3	Spacer

