

# 97Ti Treadmill - 4HP AC - Lifepulse - Decline

97T-0120-01

## Parts Manual

1/5/2019 11:47:50 AM



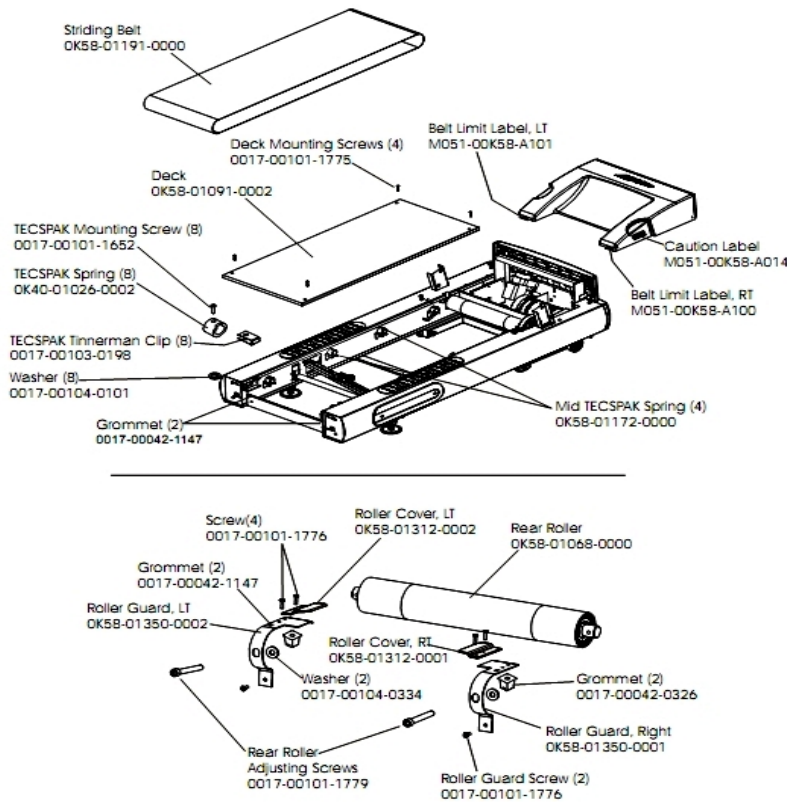
**LifeFitness**  
WHAT WE LIVE FOR

## Table of Contents

---

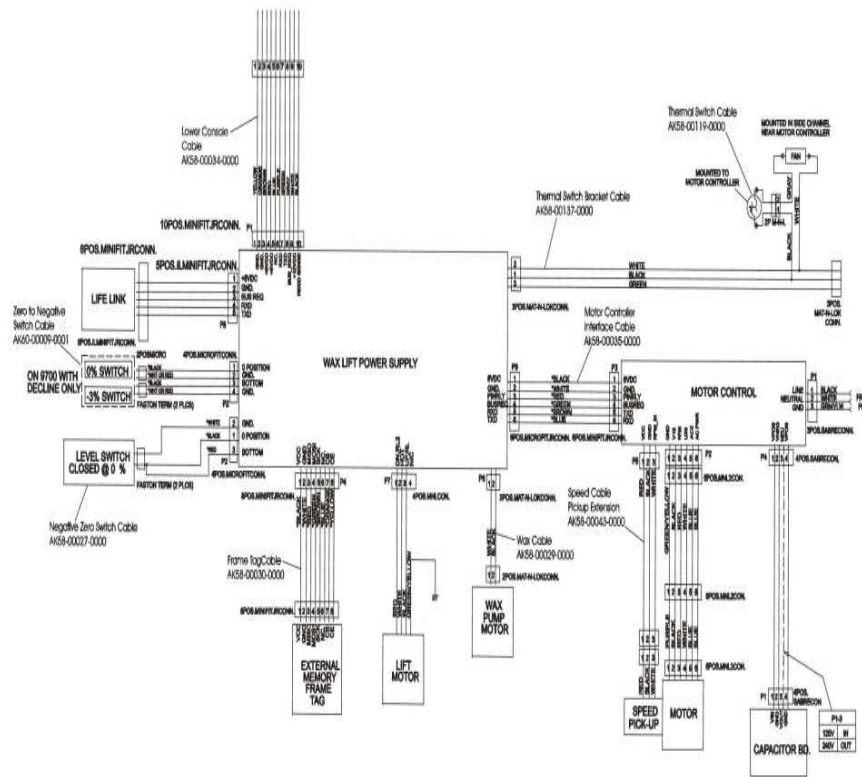
<a href="#">Belt, Deck and Rear Rollers.....</a>	<a href="#">3</a>
<a href="#">Cables.....</a>	<a href="#">4</a>
<a href="#">Console Assembly.....</a>	<a href="#">5</a>
<a href="#">Cover, End Caps and Hardware.....</a>	<a href="#">7</a>
<a href="#">Drive Motor Assembly.....</a>	<a href="#">8</a>
<a href="#">Ergo Bar with Lifepulse.....</a>	<a href="#">9</a>
<a href="#">Frame Assembly.....</a>	<a href="#">10</a>
<a href="#">Front Roller Assembly.....</a>	<a href="#">11</a>
<a href="#">General Assembly.....</a>	<a href="#">12</a>
<a href="#">Handrail Assembly.....</a>	<a href="#">13</a>
<a href="#">Idler Arm Assembly.....</a>	<a href="#">14</a>
<a href="#">Leveler Assembly.....</a>	<a href="#">15</a>
<a href="#">Lift Motor and Frame.....</a>	<a href="#">16</a>
<a href="#">Power Components.....</a>	<a href="#">18</a>
<a href="#">Unlabeled Parts.....</a>	<a href="#">19</a>
<a href="#">Wax Components.....</a>	<a href="#">20</a>
<a href="#">Wax/Lift and Motor Controller Assembly.....</a>	<a href="#">21</a>

## Belt, Deck and Rear Rollers



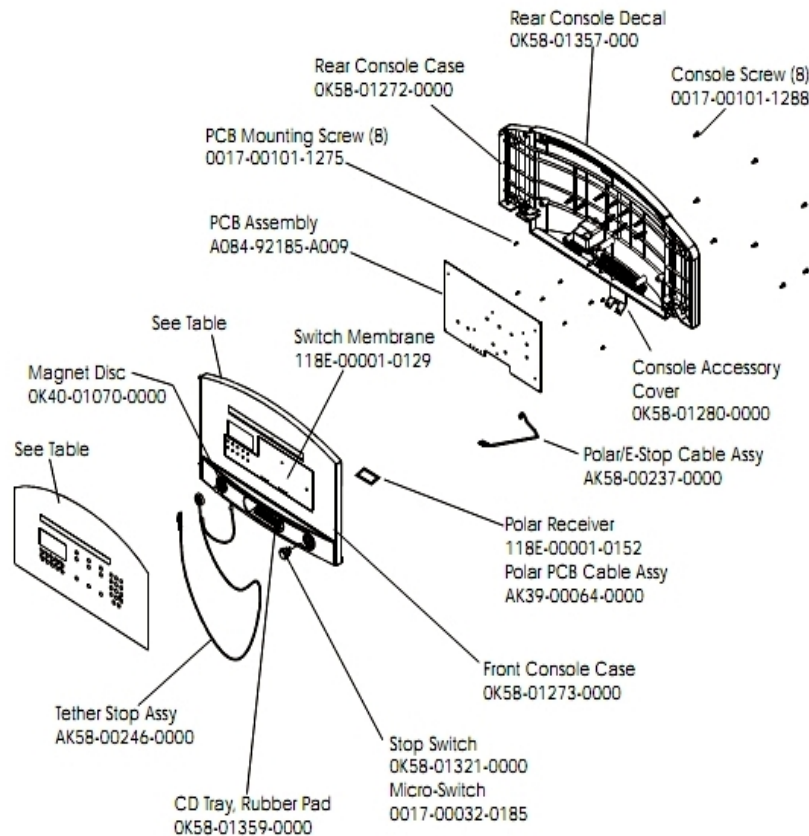
Ref #	Part Number	Qty	Description
-	0017-00103-0198	8	Hardware: Tinnerman Clip 1/4" ID
-	GK58-00002-0096	2	Roller Guard kit
-	OK40-01026-0002	8	Deck Spring
-	OK65-01263-0000	1	Deck
-	OK58-01312-0002	1	Roller Cover Left
-	M051-00K58-A100	1	Label: Belt Limit: Right
-	0017-00101-1779	2	Hardware: Rear Roller Adjusting Bolt
-	M051-00K58-A104	1	Belt Limit Label. Right
-	OK58-01191-0000	1	Striding Belt
-	OK58-01172-0000	4	TECSPA Spring
-	0017-00101-1652	8	Hardware: Spring Mounting Screw 1"
-	0017-00104-0334	2	Hardware: Flat Washers 0.880" OD
-	0017-00042-0326	2	Hardware: Plastic Grommet
-	0017-00042-1147	4	Hardware: Nylon Grommet
-	0017-00104-0101	8	Hardware: Flat Washer 0.437" OD
-	OK58-01068-0000	1	Rear Roller - 5"
-	OK58-01312-0001	1	Roller Cover Right
-	0017-00101-1776	6	Hardware: Mounting Screw 0.5"
-	0017-00101-1775	4	Hardware: Deck Screws 1.25"

### Cables



Ref #	Part Number	Qty	Description
-	AK58-00043-0000	1	Speed Sensor Cable
-	AK58-00140-0000	1	Thermal Switch Assembly
-	AK58-00030-0000	1	Frame Tag Cable
-	AK60-00009-0001	1	Negative Switch Cable Assembly
-	AK58-00035-0000	1	Motor Controller Interface Cable
-	AK58-00029-0000	1	Wax Pump Cable
-	AK58-00119-0000	1	Thermal Switch
-	AK58-00027-0000	1	Limit Switch Cable
-	AK58-00034-0000	1	Console Cable

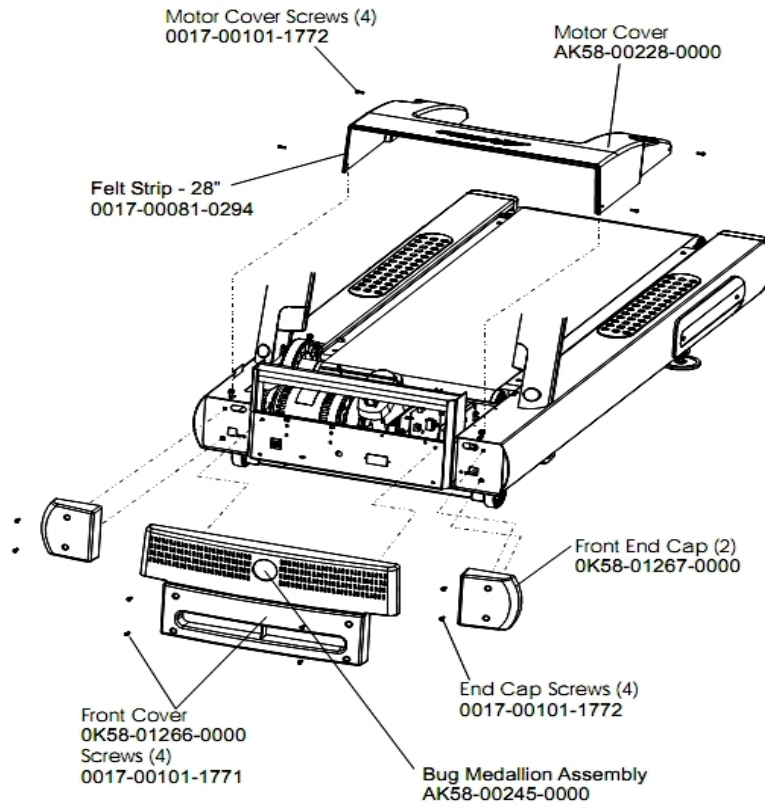
# Console Assembly



Ref #	Part Number	Qty	Description
-	OK58-01273-0000	1	Front Console Case
-	OK58-01359-0000	1	Rubber Pad
-	AK58-00196-0001	1	Console Assembly - English/Metric
-	OK58-01357-0000	1	Decal
-	AK58-00196-0007	1	Console Assembly - French
-	AK58-00196-0003	1	Console Assembly - German
-	OK40-01070-0000	1	Magnetic Disk
-	118E-00001-0259	1	Wireless Receiver Module, Non-Coded
-	AK58-00237-0000	1	Cable-Assembly: Polar/E-Stop
-	AK58-00196-0002	1	Console Assembly - English/European
-	118E-00001-0244	1	Heart Rate Receiver
-	OK58-01296-0001	1	Overlay - English / Metric
-	AK58-00202-0001	1	Overlay Switch Bezel Assembly - English/European
-	AK58-00196-0011	1	Console Assembly - Chinese
-	AK58-00196-0004	1	Console Assembly - Spanish
-	118E-00001-0129	1	Switch Membrane
-	OK58-01321-0000	1	Stop Switch
-	AK58-00196-0006	1	Console Assembly - Japanese
-	0017-00101-1288	8	Hardware: Phillips Screw 0.5"
-	0017-00101-1275	8	Hardware: Phillips Screw 0.375"
-	AK58-00322-0000	1	Tether Stop Assembly
-	AK58-00196-0009	1	Console Assembly - Dutch

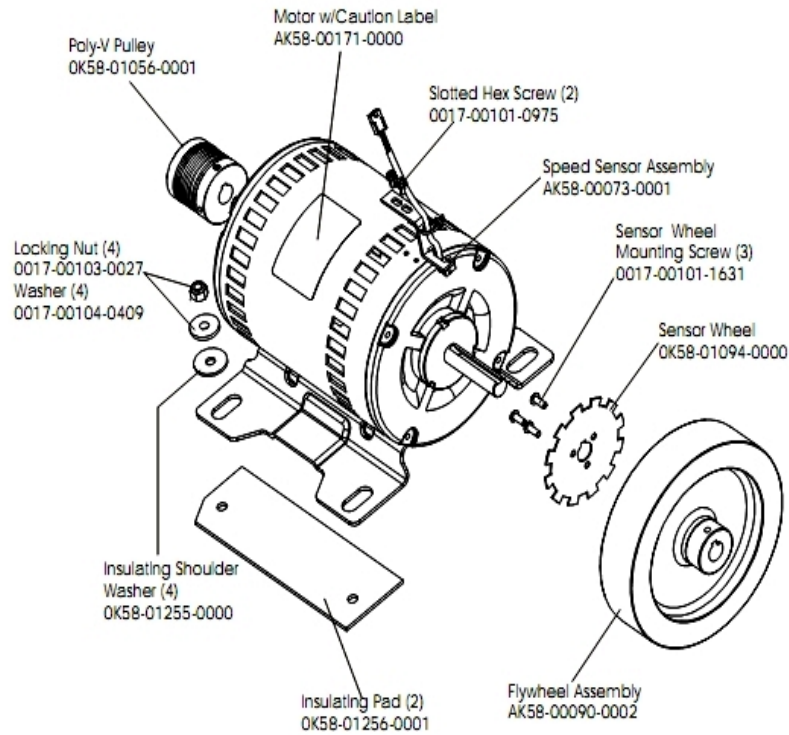
<b>Ref #</b>	<b>Part Number</b>	<b>Qty</b>	<b>Description</b>
-	AK58-00196-0008	1	Console Assembly - Italian
-	A084-92185-A009	1	PCB Assembly
-	AK58-00196-0010	1	Console Assembly - Portuguese
-	0017-00032-0185	1	Micro Switch 150GR
-	0K58-01280-0000	1	Accessory Cover
-	0K58-01272-0000	1	Rear Console Case

## Cover, End Caps and Hardware



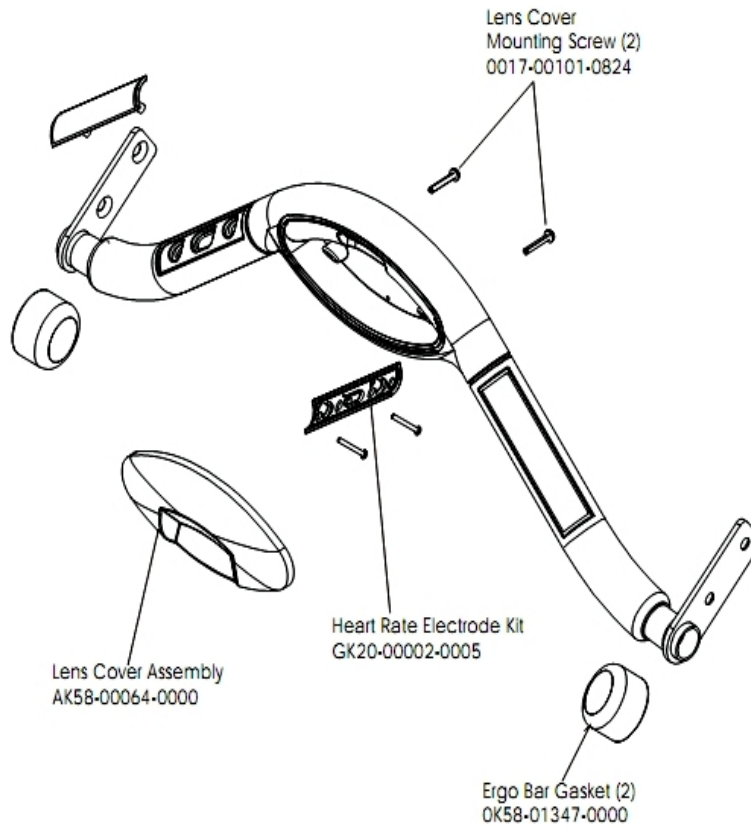
Ref #	Part Number	Qty	Description
-	0K58-01267-0000	2	End Cap
-	AK58-00228-0000	1	Motor Cover
-	0017-00101-1772	8	Hardware: Phillips Pan Screw 0.5"
-	AK58-00245-0000	1	Bug Medallion
-	0K58-01266-0000	1	Front Cover
-	0017-00081-0294	1	Felt Strip - 28"
-	0017-00101-1771	4	Hardware: Phillips Pan Screw

## Drive Motor Assembly



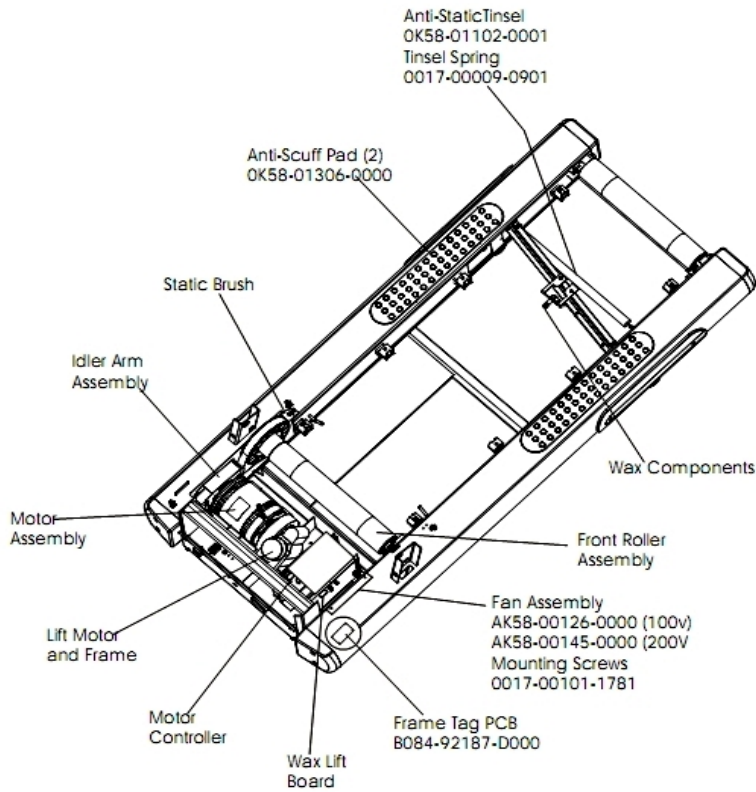
Ref #	Part Number	Qty	Description
-	AK58-00171-0000	1	Motor with Caution Label
-	0017-00101-0975	2	Hardware: Mounting Bolt 0.375"
-	0017-00103-0027	4	Hardware: Locking Nut. 5/16" ID
-	OK58-01255-0000	4	Hardware: Insulating Washers
-	OK58-01256-0001	2	Insulating Pad
-	OK58-01094-0000	1	Sensor Wheel
-	AK58-00090-0002	1	Flywheel Assembly
-	0017-00101-1631	3	Hardware: Sensor Wheel Mounting Screw
-	0017-00104-0409	4	Hardware: Washer 1.125" OD
-	AK58-00073-0001	1	Speed Sensor Assembly

## Ergo Bar with Lifepulse



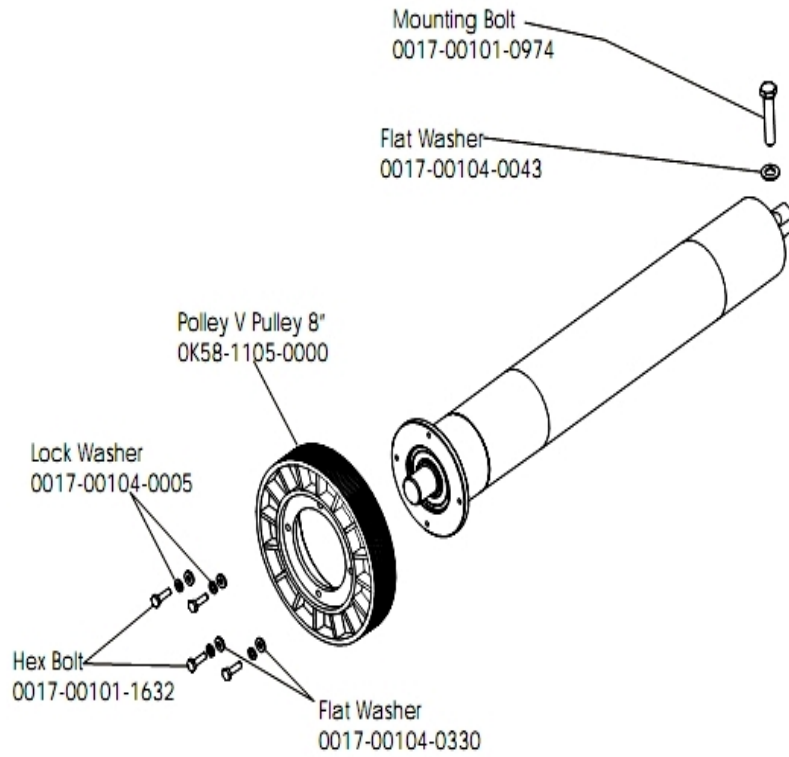
Ref #	Part Number	Qty	Description
-	AK58-00064-0000	1	I/R Lens Cover Assembly
-	0017-00101-0824	2	Hardware: Screw 1.125"
-	OK58-01347-0000	2	ErgoBar Gasket
-	GK20-00002-0005	1	Heart Rate Electrode Kit

# Frame Assembly



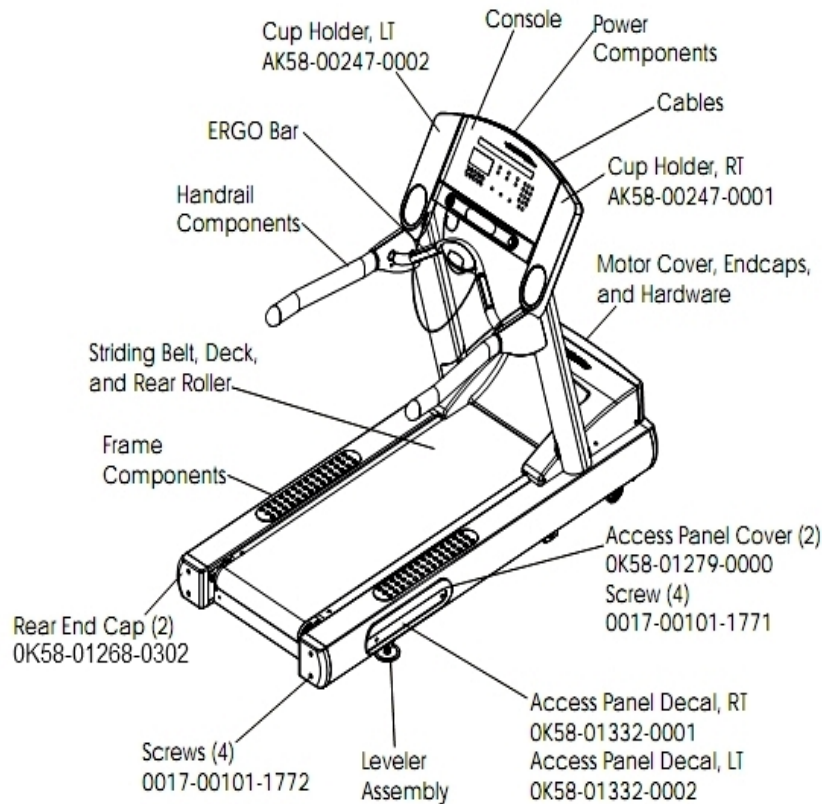
Ref #	Part Number	Qty	Description
-	AK58-00126-0000	1	Fan Assembly (100v)
-	OK58-01376-0000	2	Anti-Scuff Pad
-	0017-00101-1781	1	Hardware: Phillips Pan Screw 0.5"
-	AK58-00145-0000	1	Fan Assembly (200v)
-	0017-00009-0901	1	Tinsel Extension Spring
-	OK58-01102-0001	1	Anti-Static Tinsel
-	B084-92187-D000	1	Frame Tag PCB

## Front Roller Assembly



Ref #	Part Number	Qty	Description
-	0017-00104-0330	4	Hardware: Flat Washers 0.562" OD
-	AK58-00067-0000	1	Front Roller Assembly
-	0017-00104-0005	4	Hardware: Lock Washer 0.489" OD
-	0017-00104-0043	1	Hardware: Flat Washer 0.734" OD
-	0017-00101-1632	4	Hardware: Hex Bolt 0.875"
-	0017-00101-0974	1	Hardware: Mounting Bolt 2"

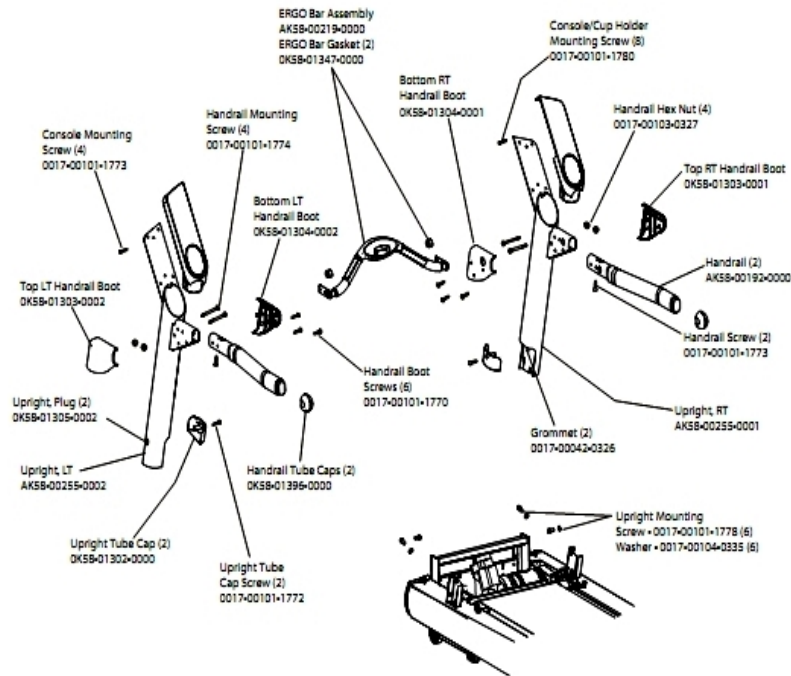
## General Assembly



Ref #	Part Number	Qty	Description
-	OK58-01332-0001	1	Access Panel Decal Right
-	OK58-01332-0002	1	Access Panel Decal Left
-	0017-00008-0197	1	Paint: Silver Bullet; 4.5OZ. Can
-	0017-00008-0199	1	Paint: Stealth Grey; 4.5OZ. Can
-	OK58-01268-0302	2	ENDCAP: REAR; STEALTH D
-	OK58-01279-0000	2	Access Panel Cover
-	0017-00008-0198	1	Paint: Stealth Grey; .6OZ. Bottle B
-	0017-00101-1771	4	Hardware: Phillips Pan Screw
-	AK58-00247-0001	1	Cup Holder Right
-	0017-00008-0196	1	Paint: Silver Bullet; .6OZ. Bottle
-	AK58-00247-0002	1	Cup Holder Left
-	0017-00101-1772	4	Hardware: Phillips Pan Screw 0.5"

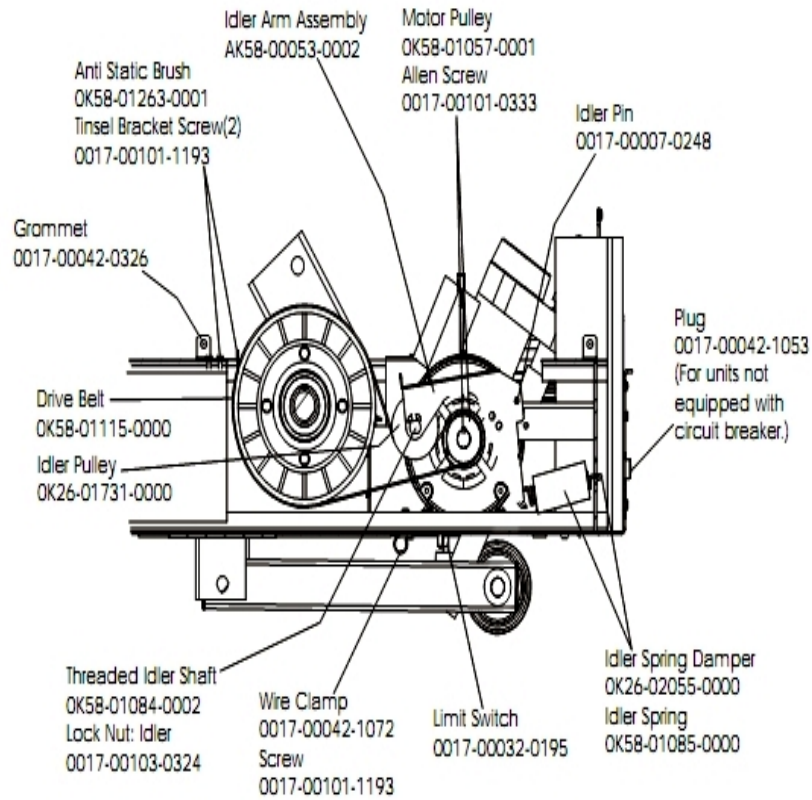
# Handrail Assembly

## Hardware Bag Assembly AK58-00226-0000



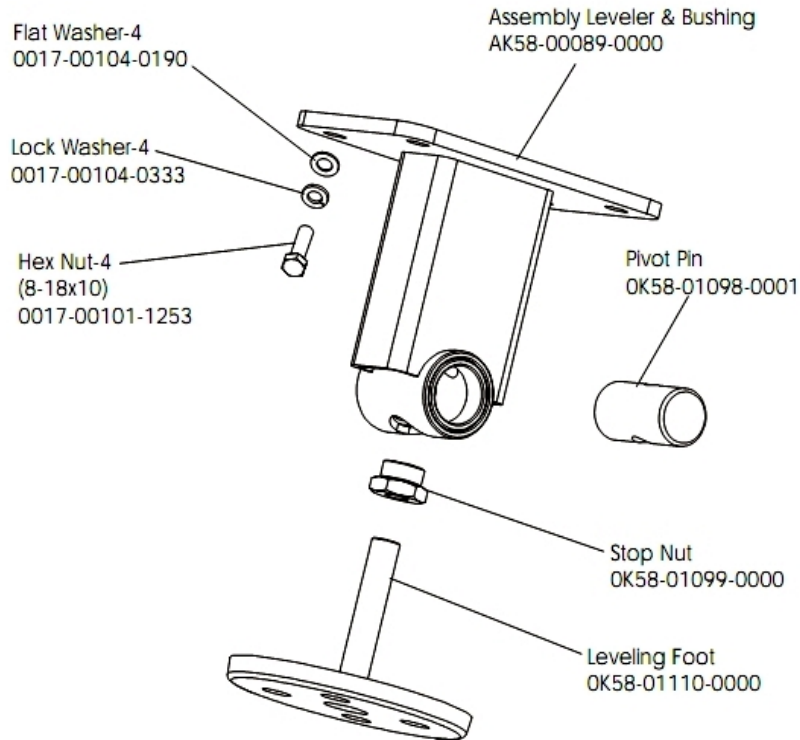
Ref #	Part Number	Qty	Description
-	0017-00101-1773	6	Hardware: TORX Screw 0.5"
-	AK58-00311-0003	1	Upright: Right
-	0017-00101-1770	6	Hardware: Phillips Pan Screw 0.5"
-	OK58-01396-0000	2	Endcap
-	OK58-01303-0002	1	Top Left Handrail Boot
-	OK58-01304-0001	1	Bottom Right Handrail Boot
-	OK58-01304-0002	1	Bottom Left Handrail Boot
-	AK58-00219-0000	1	Ergo Bar with Heart Rate Sensors
-	0017-00101-1772	2	Hardware: Phillips Pan Screw 0.5"
-	OK58-01303-0001	1	Top Right Handrail Boot
-	OK58-01347-0000	2	ErgoBar Gasket
-	0017-00042-0326	2	Hardware: Plastic Grommet
-	0017-00103-0327	4	Hardware: Hex Nut 5/16" ID
-	OK58-01302-0103	2	Cap: Upright Tube; Arctic Silver
-	OK58-01305-0002	2	Upright Plug
-	AK58-00256-0001	2	Handrail
-	AK58-00311-0004	1	Upright: Left
-	0017-00101-1778	1	Hardware: Hex Bolt 1"
-	0017-00101-1774	4	Hardware: TORX Screw 2.5"
-	0017-00101-1780	8	Hardware: Mounting Screws
-	0017-00104-0335	1	Hardware: Handrail Washer
-	AK58-00226-0000	1	Hardware Bag

## Idler Arm Assembly



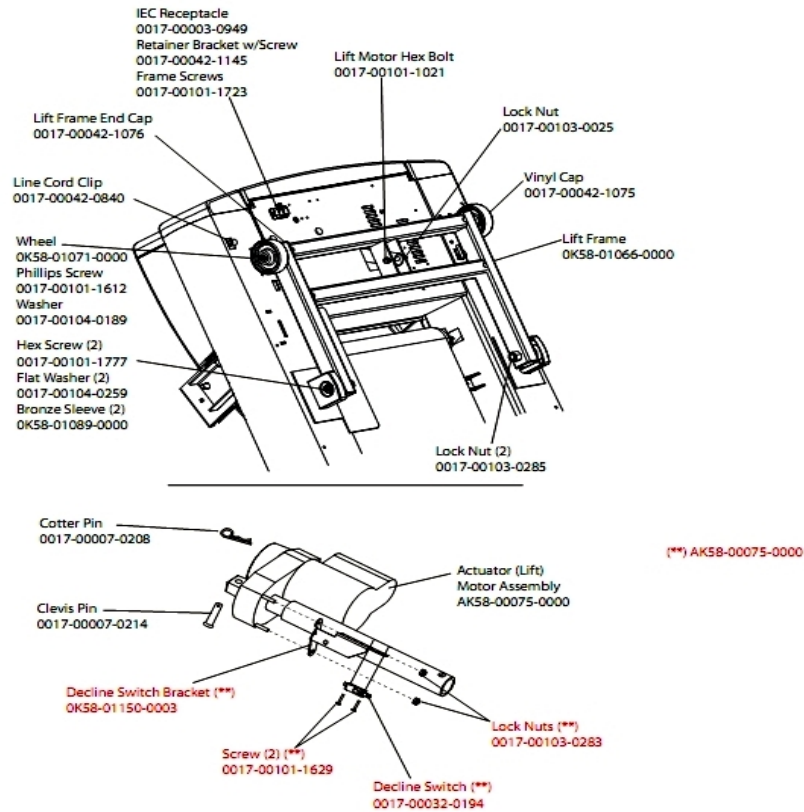
Ref #	Part Number	Qty	Description
-	OK58-01057-0001	1	Drive Pulley - 1.971"
-	AK58-00053-0002	1	Idler Arm Assembly
-	0017-00042-1053	1	Plug (For units not equipped with circuit breaker.)
-	0017-00103-0324	1	Hardware: Thin Lock Nut 3/8" ID
-	OK26-01731-0000	1	Plastic Idler 2 5/8" OD
-	OK26-02055-0000	1	Spring Damper
-	0017-00032-0195	1	Home Switch
-	0017-00042-1072	1	Hardware: Wire Clamp - 5/8"
-	0017-00007-0248	1	Hardware: Locking Pin .31" D 2.125" L
-	0017-00042-0326	1	Hardware: Plastic Grommet
-	0017-00101-1193	3	Hardware: Screw 0.375"
-	OK58-01084-0002	1	Threaded Shaft
-	OK58-01085-0000	1	Extension Spring
-	OK58-01263-0001	1	Tinsel Bracket
-	0017-00101-0333	1	Hardware: Screw 0.3125"
-	GK58-00002-0129	1	KIT: TREADMILL BELT AND PULLEY

## Leveler Assembly



Ref #	Part Number	Qty	Description
-	0017-00104-0190	4	Hardware: Flat Washer 0.734" OD
-	AK58-00370-0000	1	Leveler Assembly
-	OK58-01110-0000	1	Leveler Foot
-	0017-00104-0333	4	Hardware: Washer 0.683" OD
-	0017-00101-1253	4	Hardware: Screw
-	OK58-01099-0000	1	Hardware: Stop Nut
-	AK58-00089-0000	1	Bracket Leveler
-	OK58-01098-0001	1	Hardware: Pivot Pin

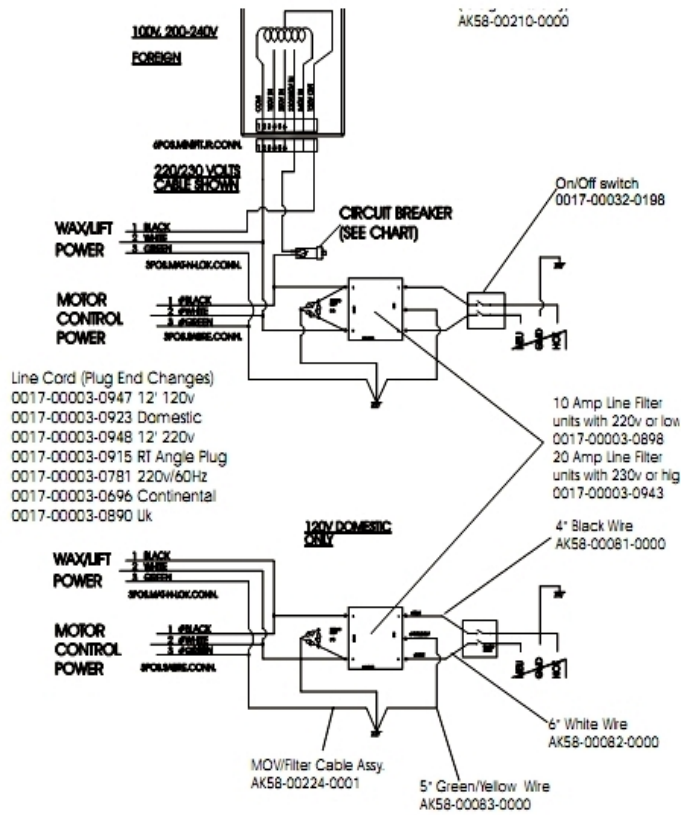
### Lift Motor and Frame



Ref #	Part Number	Qty	Description
-	0017-00103-0285	2	Hardware: Nut 5/8" ID
-	0017-00007-0208	2	Hardware: Cotter Pin
-	0017-00101-1621	2	Hardware: Phillips Screw 0.5"
-	0017-00101-1629	2	Hardware: Phillips Pan Screw 0.625"
-	0017-00101-1777	2	Hardware: Lift Frame Mounting Bolt 2.75"
-	0017-00104-0189	2	Hardware: Flat Washer 1" OD
-	0K58-01150-0003	1	Decline Switch Bracket
-	0017-00101-1723	1	Hardware: Phillips Pan Screw 0.375"
-	0017-00003-0949	1	IEC Receptacle
-	0017-00103-0283	1	Hardware: Locking Nut ID
-	0017-00032-0194	1	Mini Switch; SPDT
-	0017-00042-1145	1	Power Cord Retainer
-	0017-00101-1021	1	Hardware: Lift Motor Hex Bolt 2.5"
-	0017-00103-0025	1	Hardware: Locking Nut 3/8" ID
-	0017-00042-1076	4	Lift Frame End Cap
-	AK58-00220-0000	1	LIFT-FRAME ASSY: MFG. C
-	AK58-00075-0000	2	Lift Motor Bracket Assembly
-	0K58-01089-0000	2	Bronze Sleeve Bushings
-	0017-00042-0840	1	Hardware: Push Mount Clip
-	0K58-01071-0000	2	Wheel
-	0017-00042-1075	1	Vinyl Cap
-	0017-00104-0259	2	Hardware: Washer 1.331" OD

Ref #	Part Number	Qty	Description
-	0017-00007-0214	2	Hardware: Clevis Pin 3/8" D 1.75" L

## Power Components



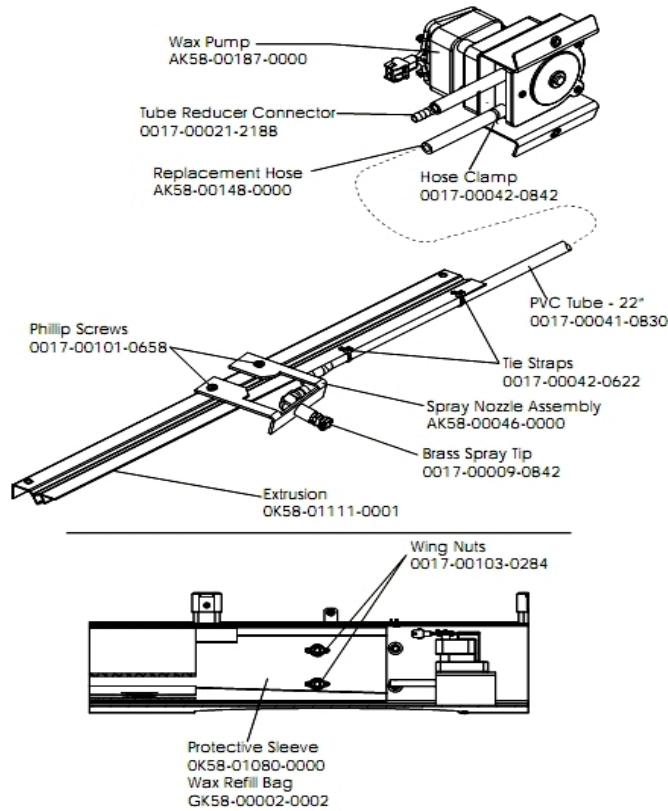
Ref #	Part Number	Qty	Description
-	0017-00003-0974	1	Line Cord: 120V: 8'
-	AK58-00081-0000	1	Jumper Cable Assembly: Black - 4"
-	0017-00032-0198	1	On/Off Switch 22A
-	AK58-00210-0000	1	Transformer-Bracket Assembly
-	AK58-00083-0000	1	Cable Assembly
-	AK58-00224-0001	1	Cable: MOV; Fliter
-	0017-00003-0947	1	Line Cord: 120V; 20A; 12'
-	AK58-00082-0000	1	Jumper Cable Assembly: White - 6"
-	0017-00003-0915	1	Line Cord RT Angle Plug
-	AK58-00258-0005	1	Cable-Assembly: Power; 100V S/C#2-D

## Unlabeled Parts

---

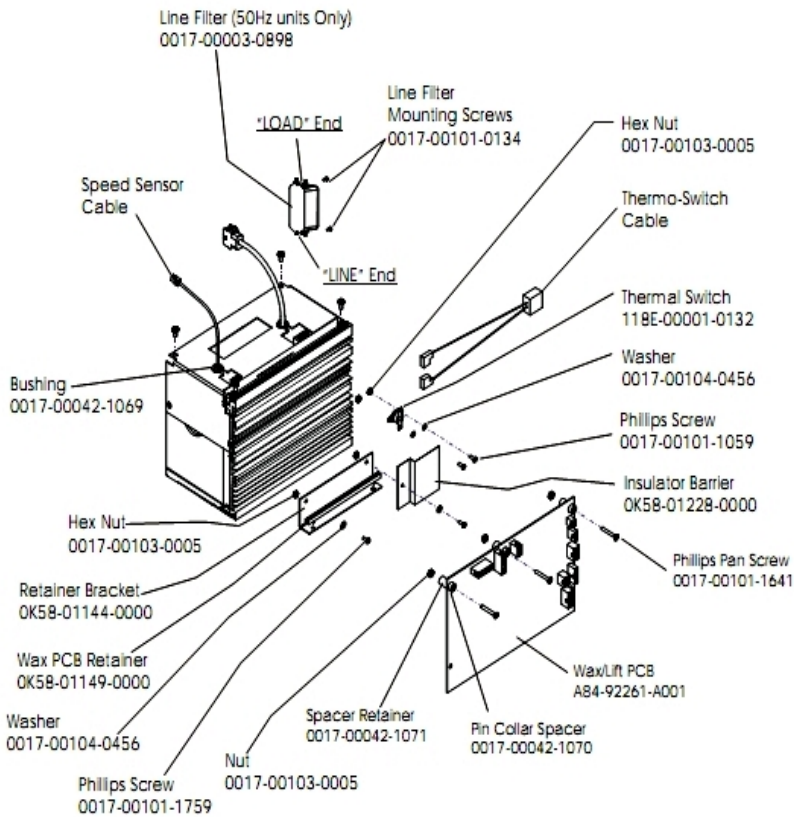
Ref #	Part Number	Qty	Description
-	AK58-00037-0000	1	Cable-Assembly: Motor Speed Pickup
-	AK58-00031-0000	1	Side Console Cable Assembly
-	OK58-01273-0000	1	Front Console Case
-	AK58-00032-0000	1	User Proximity Sensor Cable
-	AK58-00222-0002	1	Power Cable Assembly 120V
-	AK58-00036-0000	1	Cable-Assembly: Emergency-Stop Switch
-	OK58-01365-0000	1	Decal
-	AK58-00077-0001	1	Cap Board Cable - Domestic

## Wax Components



Ref #	Part Number	Qty	Description
-	OK58-01111-0001	1	Extrusion Assembly
-	AK58-00046-0000	1	Spray Nozzle Assembly
-	AK58-00187-0000	1	Wax Pump
-	OK58-01080-0000	1	Protective Sleeve
-	GK58-00002-0002	1	Wax Refill Bag
-	0017-00103-0284	2	Hardware: Wing Nut
-	0017-00101-0658	1	Hardware: Access Panel Screws
-	0017-00042-0842	1	Hose Clamp
-	0017-00042-0622	2	Cable Tie
-	0017-00021-2188	1	Tube Reducer Connector
-	AK58-00148-0000	1	Replacement Hose
-	0017-00041-0830	1	TUBING: PVC; REINFORCED B
-	0017-00009-0842	1	Brass Spray Tip

## Wax/Lift and Motor Controller Assembly



Ref #	Part Number	Qty	Description
-	118E-00001-0132	1	Thermal Switch
-	0017-00042-1070	1	Pin Collar Spacer
-	0017-00042-1069	1	Bushing
-	0017-00101-0134	1	Hardware: Line Filter Mounting Screws
-	0K58-01228-0000	1	Insulator Barrier
-	GK65-00002-0018	1	Kit: Service; Motor Controller; 100-120VA; Display
-	0K58-01149-0000	1	Wax PCB Retainer
-	AK58-00522-0000	1	Cable: Jumper; Power; LED Console
-	0017-00103-0005	12	Hardware: Hex Nut
-	0017-00101-1059	4	Hardware: Phillips Screw
-	0017-00003-0898	1	10 amp Line Filter (INT)
-	A084-92261-A001	1	Wax/Lift PCB
-	0K58-01144-0000	1	Retainer Bracket
-	0017-00101-1759	4	Hardware: Phillips Screw 0.625"
-	0017-00101-1641	4	Hardware: Phillips Pan Screw
-	0017-00042-1071	4	Spacer Retainer
-	0017-00104-0456	8	Hardware: Washer 0.31" OD

