

97Ti Treadmill - 4HP AC - Lifepulse - Decline

97T-0120-02

Parts Manual

1/5/2019 11:47:51 AM

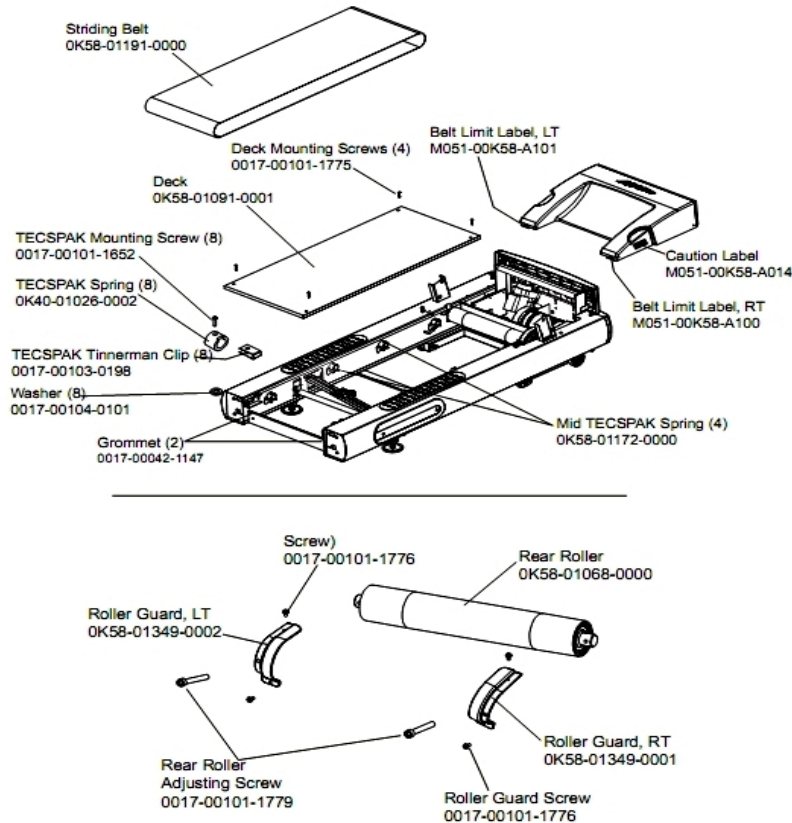


LifeFitness
WHAT WE LIVE FOR

Table of Contents

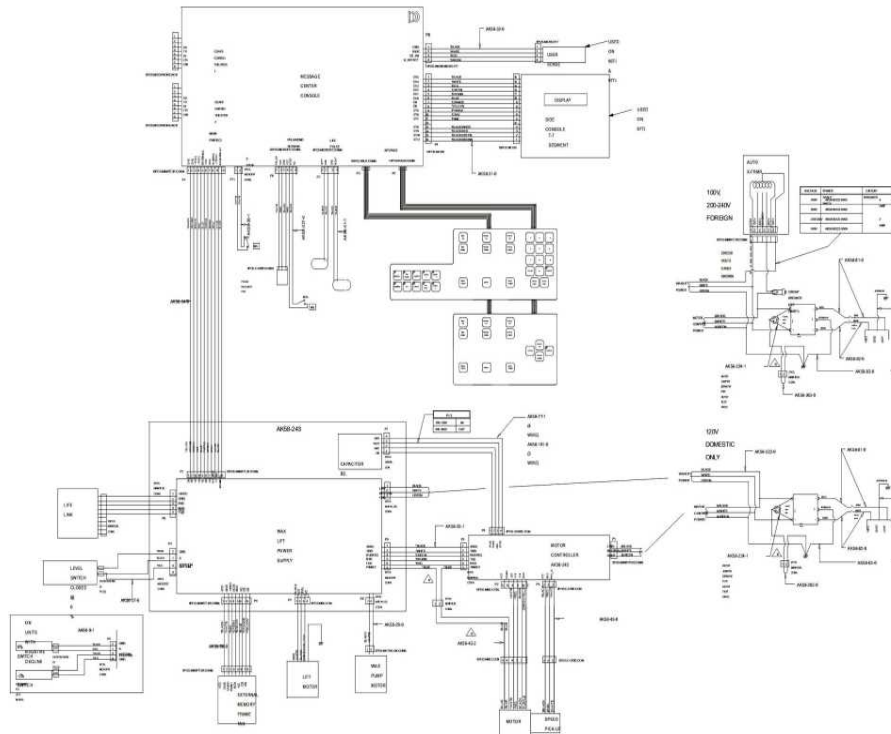
Belt, Deck, and Rear Roller.....	3
Cables.....	4
Console Assembly.....	5
Covers, End Caps and Hardware.....	6
Drive Motor Assembly.....	7
Ergo Bar with Lifepulse.....	8
Frame Assembly.....	9
Front Roller Assembly.....	10
General Assembly.....	11
Handrail Assembly.....	12
Idler Arm Assembly.....	13
Leveler Assembly.....	14
Lift Motor and Frame.....	15
Motor Controller Assembly.....	17
Power Components.....	18
Wax Components.....	19
Wax/Lift Assembly.....	20

Belt, Deck, and Rear Roller



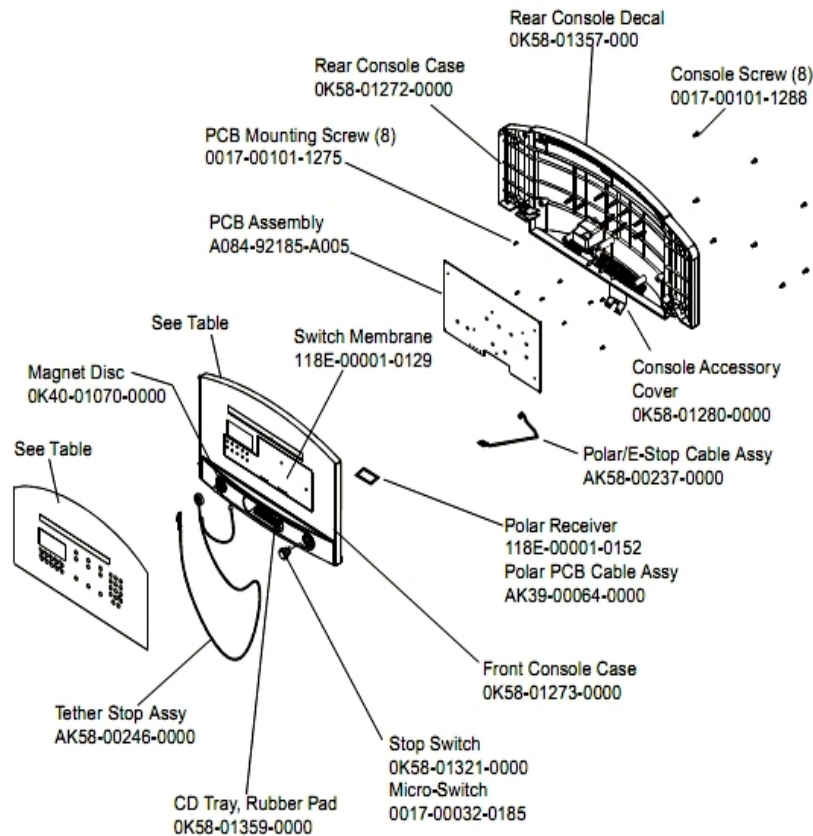
Ref #	Part Number	Qty	Description
-	0017-00103-0198	8	Hardware: Tinnerman Clip 1/4" ID
-	M051-00K58-A101	1	Belt Limit Label. Left
-	0K40-01026-0002	8	Deck Spring
-	0K58-01349-0001	1	Rear Roller Guard Right
-	0017-00101-1779	2	Hardware: Rear Roller Adjusting Bolt
-	0K58-01191-0000	1	Striding Belt
-	0K58-01172-0000	4	TECSPAK Spring
-	0017-00104-0101	8	Hardware: Flat Washer 0.437" OD
-	0K58-01068-0000	1	Rear Roller - 5"
-	0K58-01091-0001	1	Deck
-	M051-00K58-A014	1	Label: Caution
-	0017-00042-1147	2	Hardware: Nylon Grommet
-	0017-00101-1652	8	Hardware: Spring Mounting Screw 1"
-	0K58-01349-0002	1	Rear Roller Guard Left
-	0017-00101-1776	4	Hardware: Mounting Screw 0.5"
-	0017-00101-1775	4	Hardware: Deck Screws 1.25"

Cables



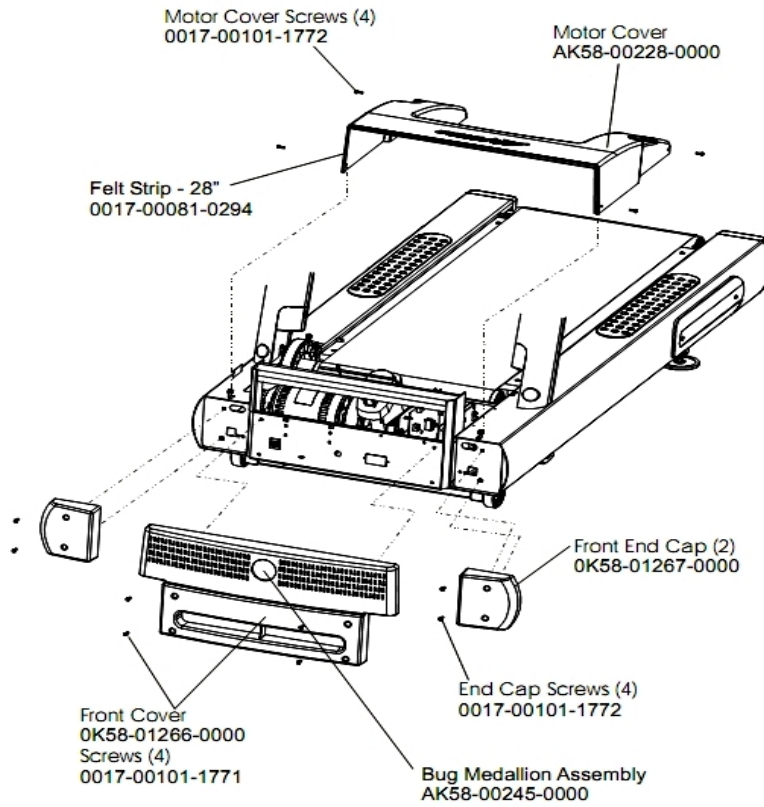
Ref #	Part Number	Qty	Description
-	AK58-00223-0003	1	Power Cable Assembly 220-230V
-	AK58-00027-0000	1	Limit Switch Cable
-	AK58-00036-0000	1	Cable-Assembly: Emergency-Stop Switch
-	AK58-00035-0001	1	Motor Controller Interface Cable
-	AK58-00029-0000	1	Wax Pump Cable
-	AK58-00224-0001	1	Cable: MOV; Fliter
-	AK58-00032-0000	1	User Proximity Sensor Cable
-	AK60-00009-0001	1	Negative Switch Cable Assembly
-	AK58-00237-0000	1	Cable-Assembly: Polar/E-Stop
-	AK58-00082-0000	2	Jumper Cable Assembly: White - 6"
-	AK58-00077-0001	1	Cap Board Cable - Domestic
-	AK58-00030-0000	1	Frame Tag Cable
-	AK58-00083-0000	2	Cable Assembly
-	AK58-00042-0003	1	Cable Motor Drive Extension INT
-	AK58-00222-0000	1	Power Cable Assembly 120V
-	AK58-00031-0000	1	Side Console Cable Assembly
-	AK58-00034-0000	1	Console Cable
-	AK58-00041-0001	1	Heart Rate Sensor Cable
-	AK58-00263-0000	1	Hi-Pot Jumper Cable
-	AK58-00081-0000	2	Jumper Cable Assembly: Black - 4"
-	AK58-00043-0000	1	Speed Sensor Cable
-	AK58-00181-0000	1	Cap Board Cable 3-Wire

Console Assembly



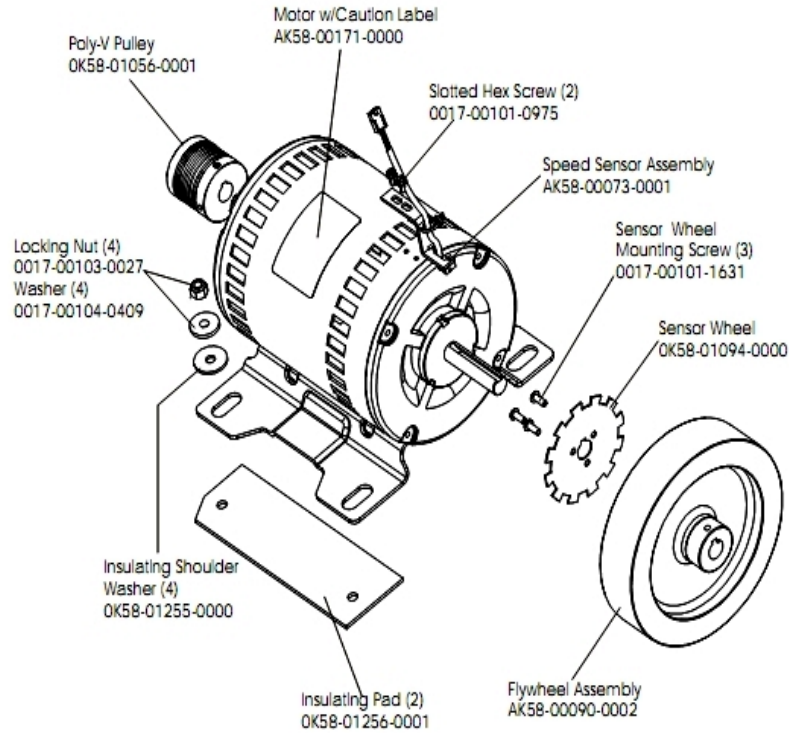
Ref #	Part Number	Qty	Description
-	118E-00001-0259	1	Wireless Receiver Module, Non-Coded
-	0K40-01070-0000	1	Magnetic Disk
-	AK58-00196-0001	1	Console Assembly - English/Metric
-	0K58-01359-0000	1	Rubber Pad
-	0K58-01273-0000	1	Front Console Case
-	AK58-00237-0000	1	Cable-Assembly: Polar/E-Stop
-	118E-00001-0244	1	Heart Rate Receiver
-	0K58-01296-0001	1	Overlay - English / Metric
-	AK58-00202-0001	1	Overlay Switch Bezel Assembly - English/European
-	118E-00001-0129	1	Switch Membrane
-	0K58-01321-0000	1	Stop Switch
-	0017-00101-1288	8	Hardware: Phillips Screw 0.5"
-	0K58-01357-0000	1	Decal
-	0017-00101-1275	8	Hardware: Phillips Screw 0.375"
-	AK58-00322-0000	1	Tether Stop Assembly
-	A084-92185-A009	1	PCB Assembly
-	0K58-01272-0000	1	Rear Console Case
-	0K58-01280-0000	1	Accessory Cover
-	0017-00032-0185	1	Micro Switch 150GR

Covers, End Caps and Hardware



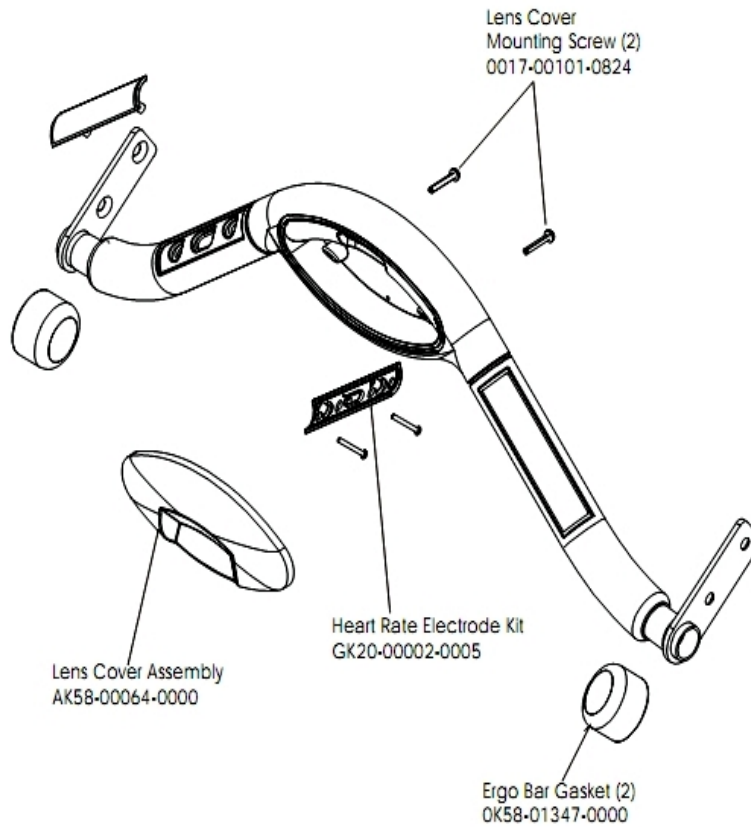
Ref #	Part Number	Qty	Description
-	AK58-00245-0000	1	Bug Medallion
-	0017-00081-0294	1	Felt Strip - 28"
-	0K58-01267-0000	2	End Cap
-	0017-00101-1771	4	Hardware: Phillips Pan Screw
-	0017-00101-1772	8	Hardware: Phillips Pan Screw 0.5"
-	AK58-00228-0000	1	Motor Cover
-	0K58-01266-0000	1	Front Cover

Drive Motor Assembly



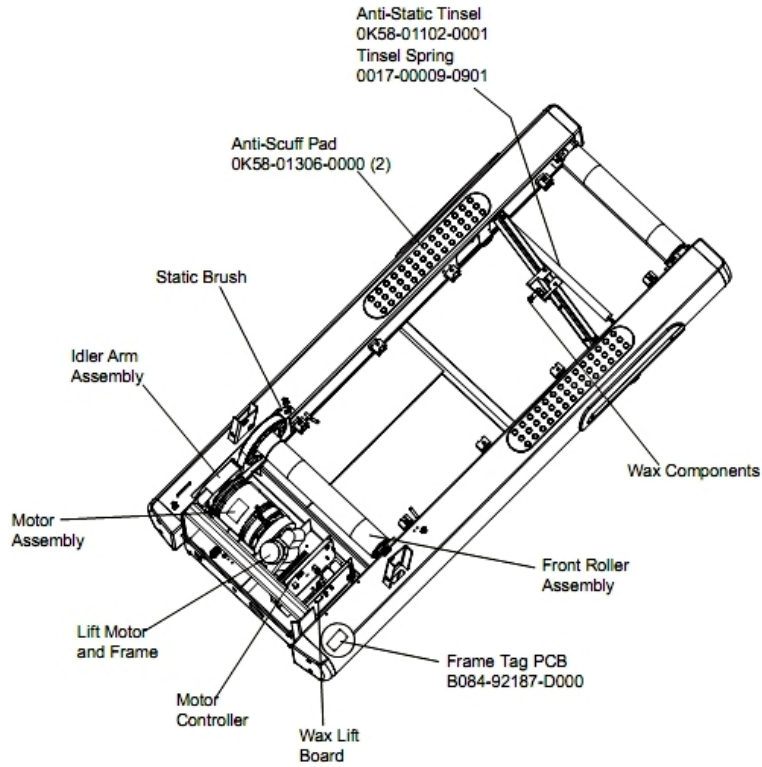
Ref #	Part Number	Qty	Description
-	AK58-00171-0000	1	Motor with Caution Label
-	0017-00101-0975	2	Hardware: Mounting Bolt 0.375"
-	0017-00103-0027	4	Hardware: Locking Nut. 5/16" ID
-	OK58-01255-0000	4	Hardware: Insulating Washers
-	OK58-01256-0001	2	Insulating Pad
-	OK58-01094-0000	1	Sensor Wheel
-	AK58-00090-0002	1	Flywheel Assembly
-	0017-00101-1631	3	Hardware: Sensor Wheel Mounting Screw
-	0017-00104-0409	4	Hardware: Washer 1.125" OD
-	AK58-00073-0001	1	Speed Sensor Assembly

Ergo Bar with Lifepulse



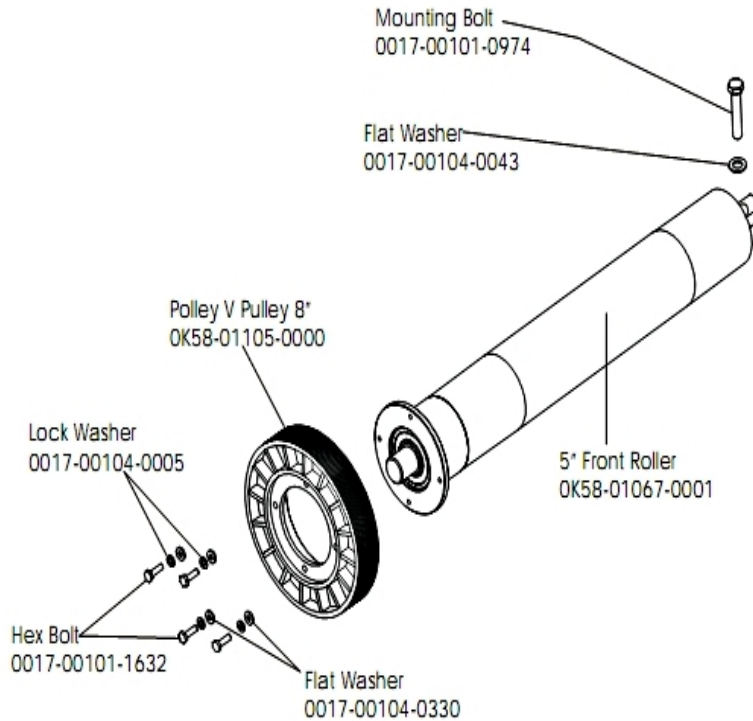
Ref #	Part Number	Qty	Description
-	AK58-00064-0000	1	I/R Lens Cover Assembly
-	0017-00101-0824	2	Hardware: Screw 1.125"
-	OK58-01347-0000	2	ErgoBar Gasket
-	GK20-00002-0005	2	Heart Rate Electrode Kit

Frame Assembly



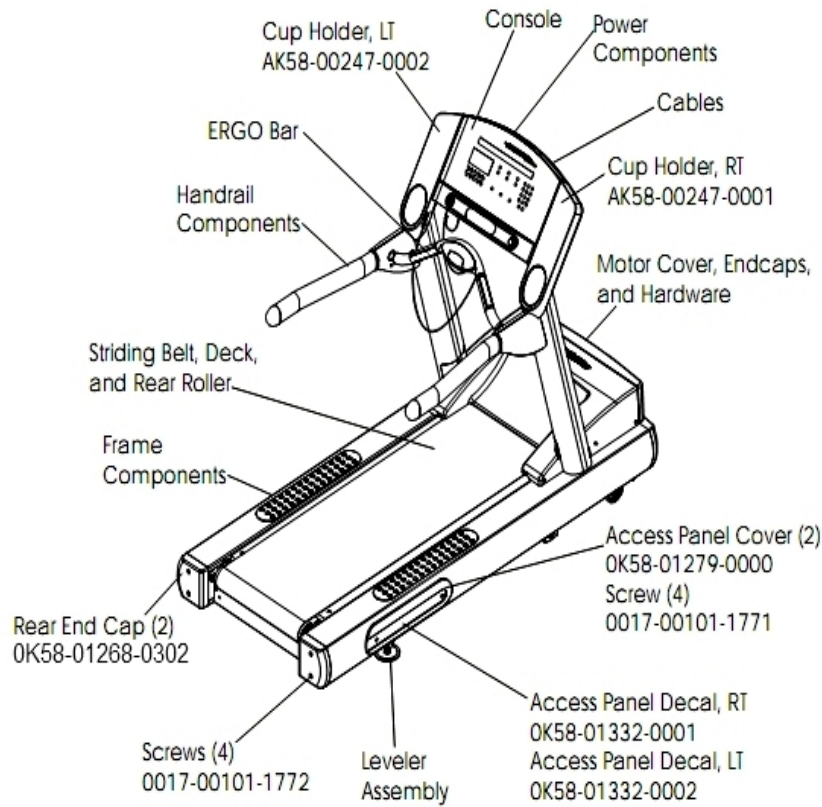
Ref #	Part Number	Qty	Description
-	0017-00009-0901	1	Tinsel Extension Spring
-	0K58-01102-0001	1	Anti-Static Tinsel
-	0K58-01376-0000	2	Anti-Scuff Pad
-	B084-92187-D000	1	Frame Tag PCB

Front Roller Assembly



Ref #	Part Number	Qty	Description
-	0017-00101-1632	4	Hardware: Hex Bolt 0.875"
-	OK58-01105-0000	1	Drive Pulley Poly V - 8"
-	OK58-01067-0001	1	Front Roller - 5"
-	AK58-00067-0000	1	Front Roller Assembly
-	0017-00104-0005	4	Hardware: Lock Washer 0.489" OD
-	0017-00104-0043	1	Hardware: Flat Washer 0.734" OD
-	0017-00101-0974	1	Hardware: Mounting Bolt 2"
-	0017-00104-0330	4	Hardware: Flat Washers 0.562" OD

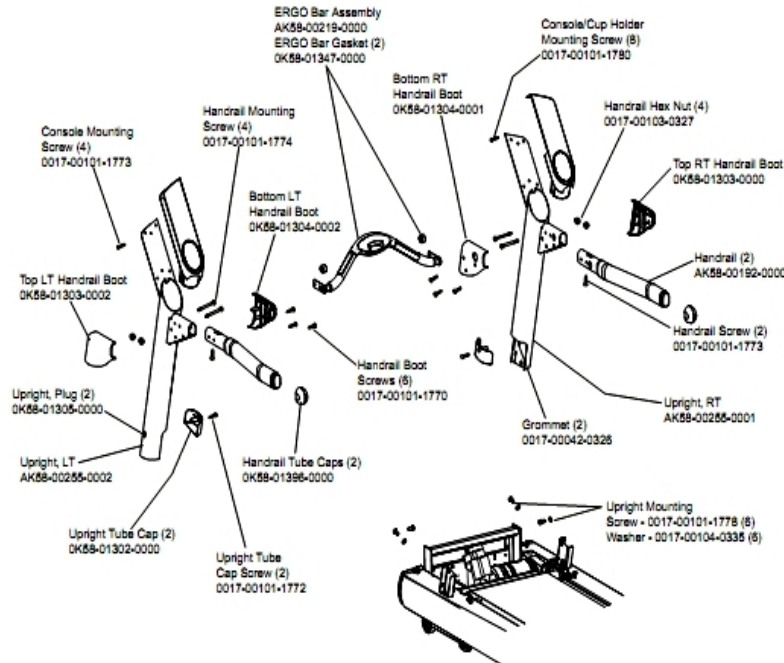
General Assembly



Ref #	Part Number	Qty	Description
-	OK58-01332-0001	1	Access Panel Decal Right
-	OK58-01332-0002	1	Access Panel Decal Left
-	0017-00008-0197	1	Paint: Silver Bullet; 4.5OZ. Can
-	0017-00008-0199	1	Paint: Stealth Grey; 4.5OZ. Can
-	OK58-01268-0302	2	ENDCAP: REAR; STEALTH D
-	OK58-01279-0000	2	Access Panel Cover
-	0017-00008-0196	1	Paint: Silver Bullet; .6OZ. Bottle
-	AK58-00247-0002	1	Cup Holder Left
-	0017-00008-0198	1	Paint: Stealth Grey; .6OZ. Bottle B
-	0017-00101-1771	4	Hardware: Phillips Pan Screw
-	AK58-00247-0001	1	Cup Holder Right
-	0017-00101-1772	4	Hardware: Phillips Pan Screw 0.5"

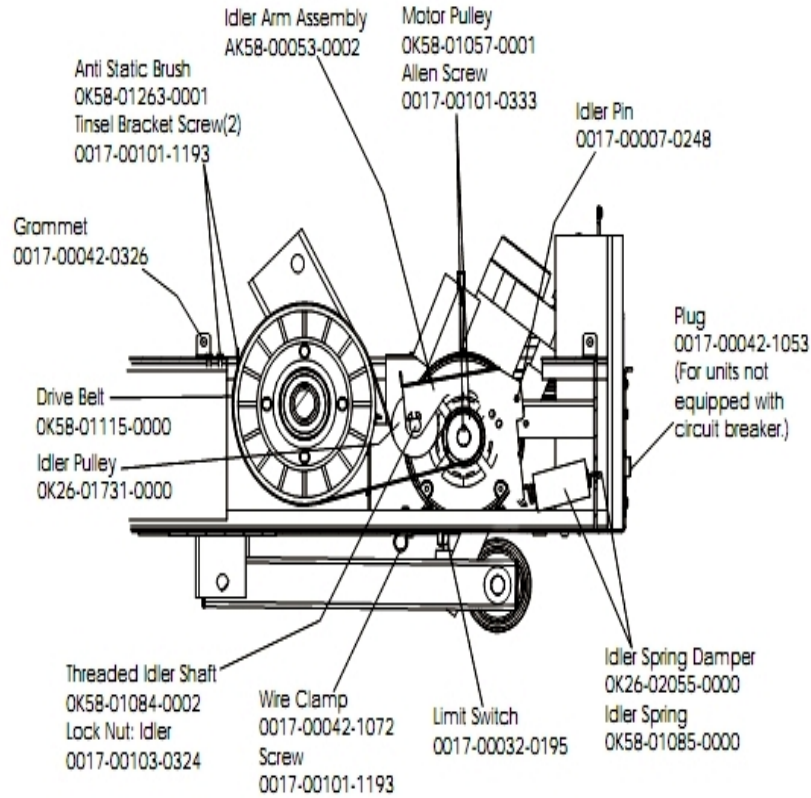
Handrail Assembly

Hardware Bag Assembly AK58-00226-0001



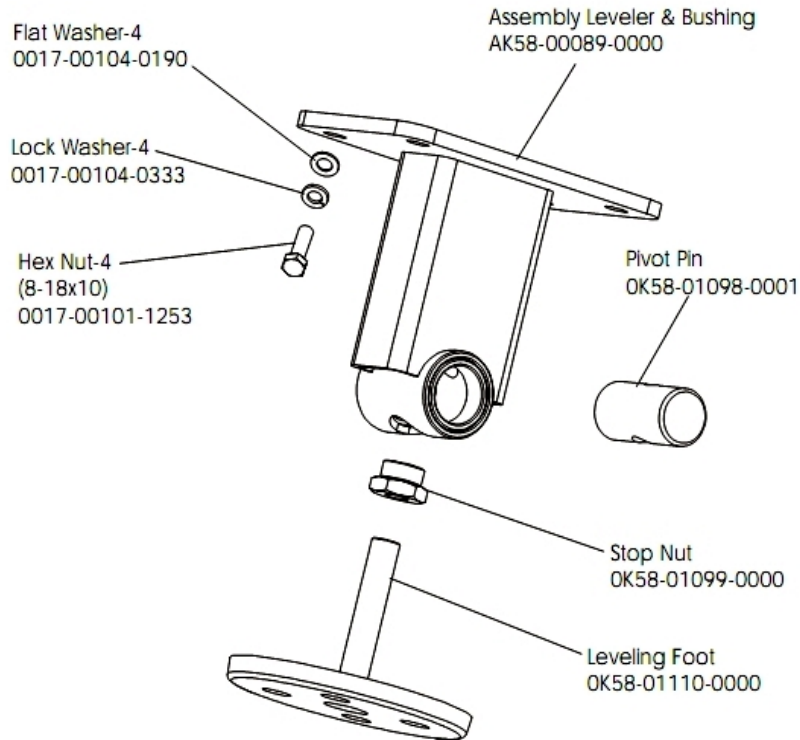
Ref #	Part Number	Qty	Description
-	0017-00101-1773	6	Hardware: TORX Screw 0.5"
-	AK58-00226-0001	1	Hardware Bag
-	0K58-01396-0000	2	Endcap
-	AK58-00219-0000	1	Ergo Bar with Heart Rate Sensors
-	0K58-01303-0002	1	Top Left Handrail Boot
-	0K58-01304-0001	1	Bottom Right Handrail Boot
-	0K58-01304-0002	1	Bottom Left Handrail Boot
-	0017-00101-1772	2	Hardware: Phillips Pan Screw 0.5"
-	0K58-01303-0001	1	Top Right Handrail Boot
-	0K58-01347-0000	2	ErgoBar Gasket
-	0017-00101-1778	6	Hardware: Hex Bolt 1"
-	AK58-00311-0004	1	Upright: Left
-	AK58-00256-0001	2	Handrail
-	0017-00042-0326	2	Hardware: Plastic Grommet
-	0017-00103-0327	4	Hardware: Hex Nut 5/16" ID
-	0K58-01302-0103	2	Cap: Upright Tube; Arctic Silver
-	0K58-01305-0002	2	Upright Plug
-	AK58-00311-0003	1	Upright: Right
-	0017-00101-1774	4	Hardware: TORX Screw 2.5"
-	0017-00101-1780	8	Hardware: Mounting Screws
-	0017-00104-0335	6	Hardware: Handrail Washer
-	0017-00101-1770	6	Hardware: Phillips Pan Screw 0.5"

Idler Arm Assembly



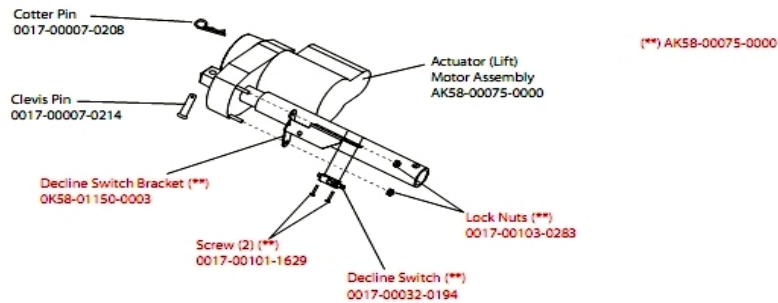
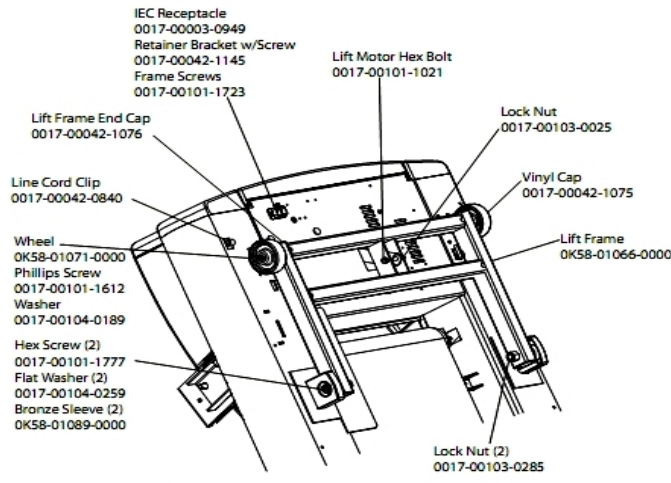
Ref #	Part Number	Qty	Description
-	OK58-01057-0001	1	Drive Pulley - 1.971"
-	AK58-00053-0002	1	Idler Arm Assembly
-	0017-00042-1053	1	Plug (For units not equipped with circuit breaker.)
-	0017-00103-0324	1	Hardware: Thin Lock Nut 3/8" ID
-	OK26-01731-0000	1	Plastic Idler 2 5/8" OD
-	OK26-02055-0000	1	Spring Damper
-	0017-00032-0195	1	Home Switch
-	0017-00042-1072	1	Hardware: Wire Clamp - 5/8"
-	OK58-01084-0002	1	Threaded Shaft
-	0017-00007-0248	1	Hardware: Locking Pin .31" D 2.125" L
-	0017-00042-0326	1	Hardware: Plastic Grommet
-	0017-00101-1193	3	Hardware: Screw 0.375"
-	OK58-01085-0000	1	Extension Spring
-	OK58-01263-0001	1	Tinsel Bracket
-	0017-00101-0333	1	Hardware: Screw 0.3125"
-	GK58-00002-0129	1	KIT: TREADMILL BELT AND PULLEY

Leveler Assembly



Ref #	Part Number	Qty	Description
-	0017-00101-1253	8	Hardware: Screw
-	OK58-01110-0000	2	Leveler Foot
-	AK58-00370-0000	2	Leveler Assembly
-	AK58-00089-0000	2	Bracket Leveler
-	0017-00104-0190	8	Hardware: Flat Washer 0.734" OD
-	0017-00104-0333	8	Hardware: Washer 0.683" OD
-	OK58-01098-0001	2	Hardware: Pivot Pin
-	OK58-01099-0000	2	Hardware: Stop Nut

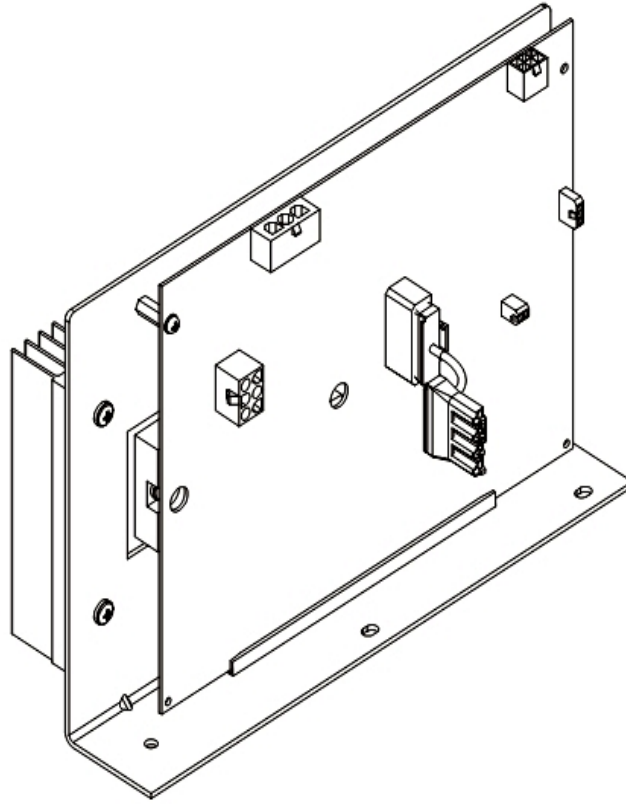
Lift Motor and Frame



Ref #	Part Number	Qty	Description
-	0017-00007-0214	1	Hardware: Clevis Pin 3/8" D 1.75" L
-	0017-00042-1075	1	Vinyl Cap
-	0K58-01071-0000	2	Wheel
-	0017-00042-0840	1	Hardware: Push Mount Clip
-	0K58-01089-0000	2	Bronze Sleeve Bushings
-	AK58-00075-0000	2	Lift Motor Bracket Assembly
-	AK58-00220-0000	1	LIFT-FRAME ASSY: MFG. C
-	0017-00042-1076	1	Lift Frame End Cap
-	0017-00103-0285	2	Hardware: Nut 5/8" ID
-	0017-00101-1723	1	Hardware: Phillips Pan Screw 0.375"
-	0017-00007-0208	1	Hardware: Cotter Pin
-	0017-00101-1621	2	Hardware: Phillips Screw 0.5"
-	0017-00101-1629	2	Hardware: Phillips Pan Screw 0.625"
-	0017-00101-1777	2	Hardware: Lift Frame Mounting Bolt 2.75"
-	0017-00104-0189	2	Hardware: Flat Washer 1" OD
-	OK58-01150-0003	1	Decline Switch Bracket
-	0017-00003-0949	1	IEC Receptacle
-	0017-00103-0283	1	Hardware: Locking Nut ID
-	0017-00032-0194	1	Mini Switch; SPDT
-	0017-00042-1145	1	Power Cord Retainer
-	0017-00101-1021	1	Hardware: Lift Motor Hex Bolt 2.5"
-	0017-00103-0025	1	Hardware: Locking Nut 3/8" ID

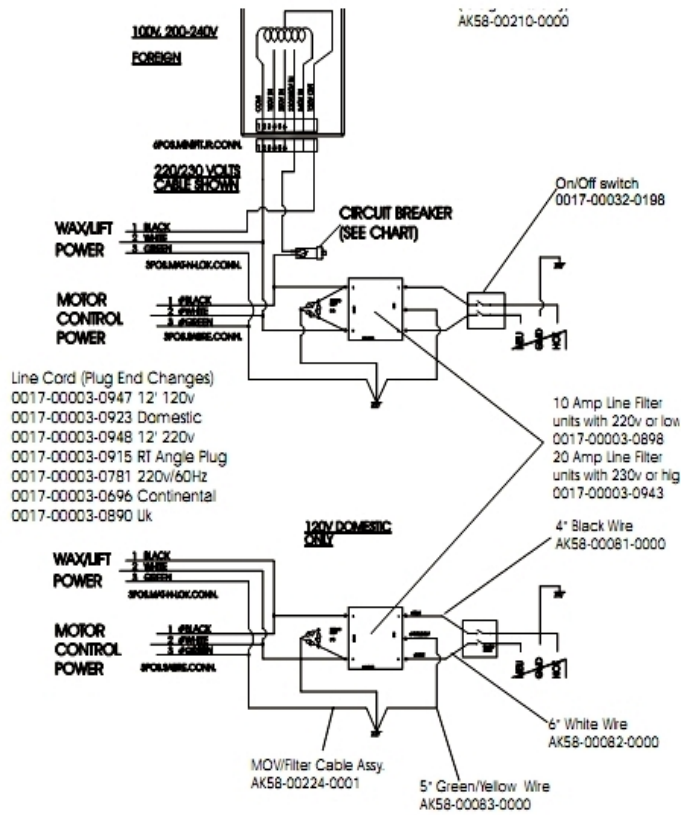
Ref #	Part Number	Qty	Description
-	0017-00104-0259	2	Hardware: Washer 1.331" OD

Motor Controller Assembly



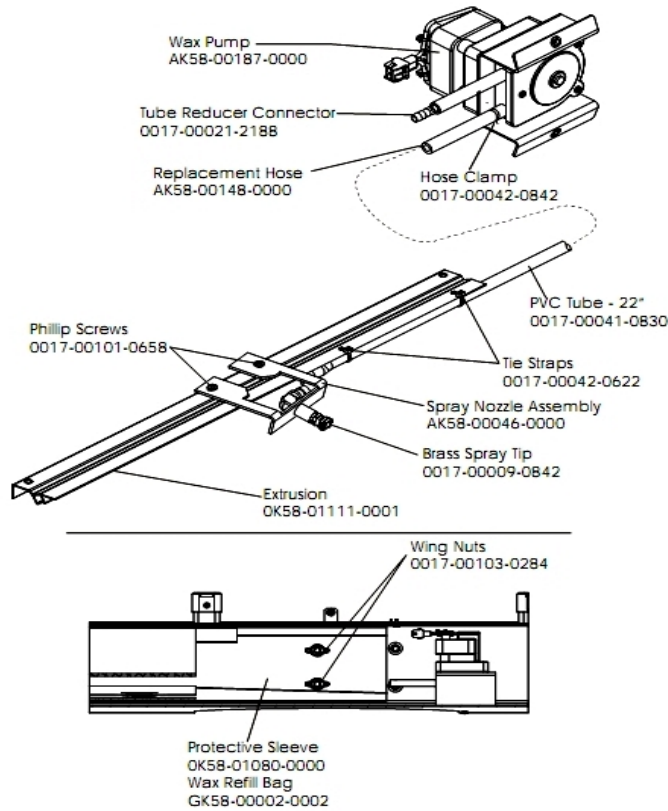
Ref #	Part Number	Qty	Description
-	GK65-00002-0018	1	Kit: Service; Motor Controller; 100-120VA; Display
-	AK58-00522-0000	1	Cable: Jumper; Power; LED Console

Power Components



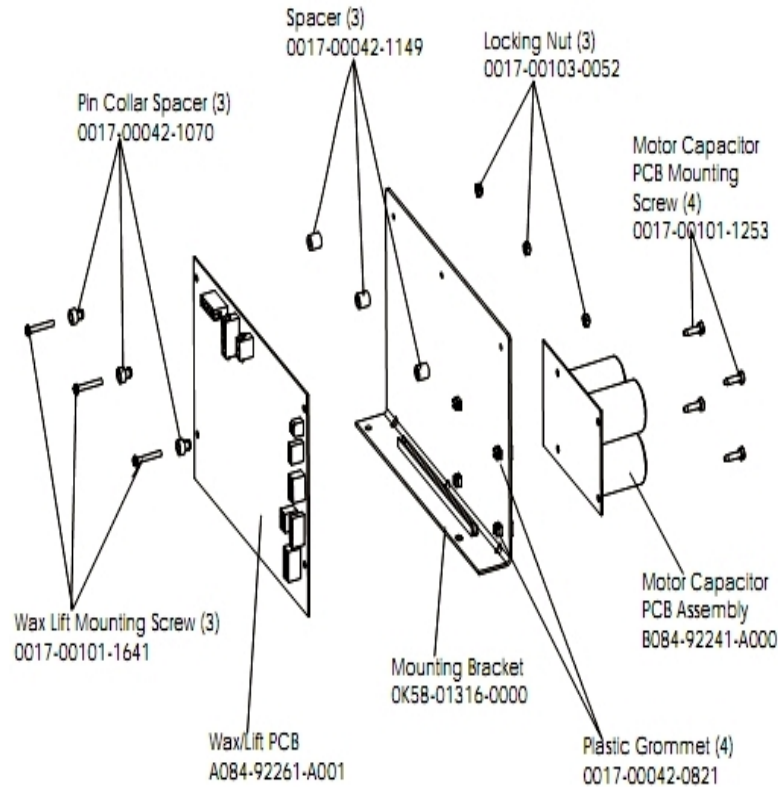
Ref #	Part Number	Qty	Description
-	AK58-00083-0000	1	Cable Assembly
-	AK58-00224-0001	1	Cable: MOV; Fliter
-	0017-00003-0950	1	100v 4 AMP Breaker
-	0017-00003-0947	1	Line Cord: 120V; 20A; 12'
-	AK58-00210-0000	1	Transformer-Bracket Assembly
-	AK58-00258-0005	1	Cable-Assembly: Power; 100V S/C#2-D
-	0017-00003-0974	1	Line Cord: 120V: 8'
-	AK58-00081-0000	1	Jumper Cable Assembly: Black - 4"
-	AK58-00082-0000	1	Jumper Cable Assembly: White - 6"
-	0017-00003-0915	1	Line Cord RT Angle Plug
-	0017-00003-0898	1	10 amp Line Filter (INT)
-	0017-00032-0198	1	On/Off Switch 22A

Wax Components



Ref #	Part Number	Qty	Description
-	0017-00103-0284	2	Hardware: Wing Nut
-	0017-00101-0658	1	Hardware: Access Panel Screws
-	0017-00042-0842	1	Hose Clamp
-	0017-00042-0622	1	Cable Tie
-	0017-00021-2188	1	Tube Reducer Connector
-	AK58-00148-0000	1	Replacement Hose
-	0017-00041-0830	1	TUBING: PVC; REINFORCED B
-	0017-00009-0842	1	Brass Spray Tip
-	OK58-01111-0001	1	Extrusion Assembly
-	AK58-00046-0000	1	Spray Nozzle Assembly
-	AK58-00187-0000	1	Wax Pump
-	OK58-01080-0000	1	Protective Sleeve
-	GK58-00002-0002	1	Wax Refill Bag

Wax/Lift Assembly



Ref #	Part Number	Qty	Description
-	0017-00042-0821	4	Hardware: Plastic Grommet
-	A084-92261-A001	1	Wax/Lift PCB
-	0017-00101-1641	3	Hardware: Phillips Pan Screw
-	0017-00042-1070	3	Pin Collar Spacer
-	0017-00103-0052	3	Hardware: Locking Nut ID
-	OK58-01316-0000	1	Mounting Bracket
-	B084-92241-A000	1	Motor Capacitor PCB Assembly
-	0017-00042-1149	3	Spacer
-	0017-00101-1253	4	Hardware: Screw

