

97Ti Treadmill - 4HP AC - Heart Rate

97T-0120-07

Parts Manual

1/5/2019 11:47:50 AM

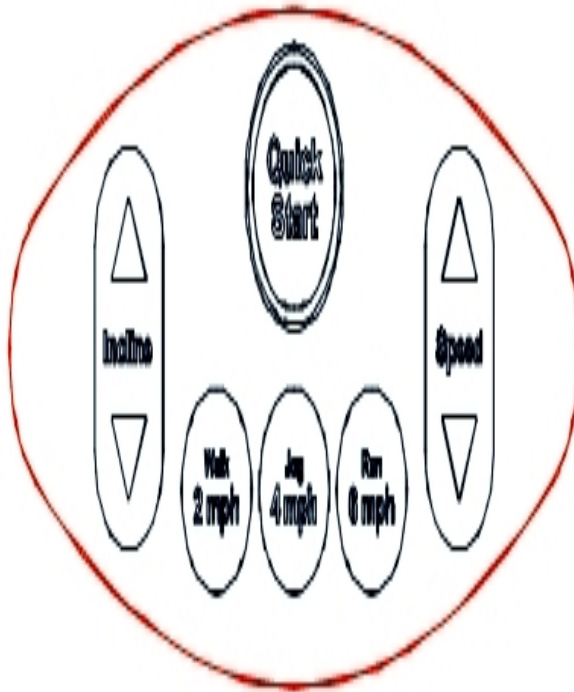


LifeFitness
WHAT WE LIVE FOR

Table of Contents

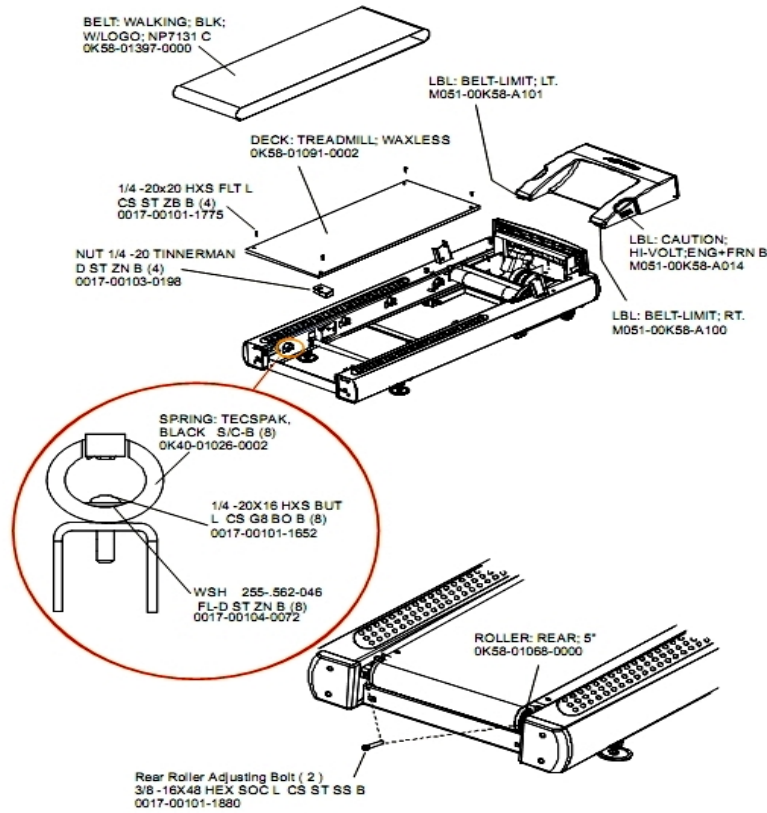
A-Z Module with Overlay Assembly	3
Belt, Deck, and Rear Roller	4
Cables	5
Console Components	7
Console, Overlay Assembly and Overlay	8
Drive Motor Assembly	9
Ergo Bar, Heart Rate Sensors and Activity Zone	10
Front Roller Assembly	11
Idler Arm Assembly	12
Leg Leveler Assembly	13
Lift Frame and Receptacle Assembly	14
Lift Motor Assembly	15
Miscellaneous	16
Motor Cover, Front Cover and End Caps	18
On/Off Switch, Access Plate and Grommets	19
Optional Line Cords	20
Rear End Caps and Cup Holders	21
Scuff Pad and Tinsel	22
Stride Sensor Assembly and Stride Sensor	23
Uprights and Handrails	24

A-Z Module with Overlay Assembly



Ref #	Part Number	Qty	Description
-	0K58-01459-0002	1	Activity Zone Overlay English/Metric
-	AK58-00555-0002	1	Activity Zone Assembly: English/Metric

Belt, Deck, and Rear Roller



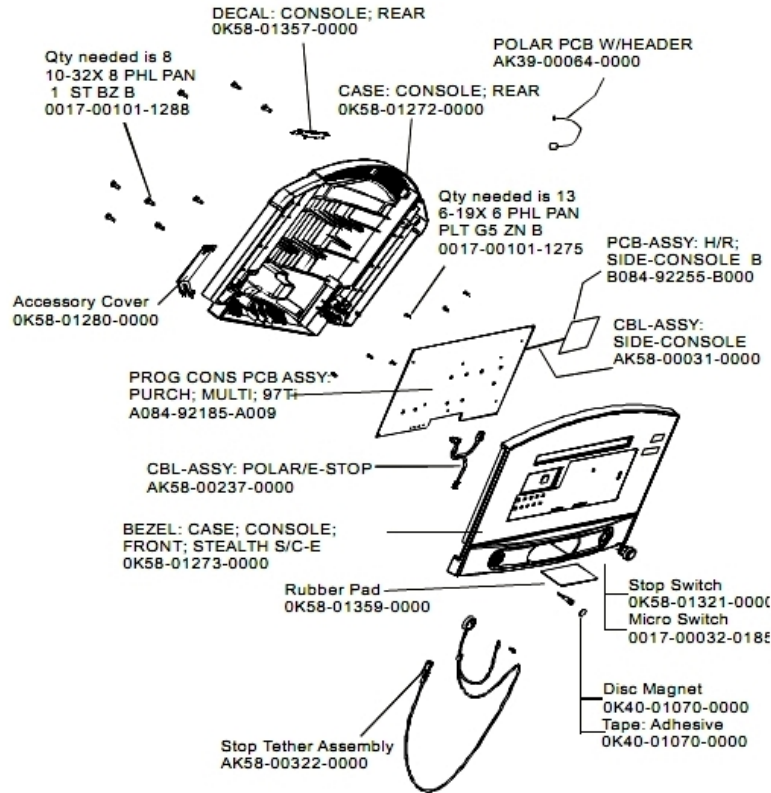
Ref #	Part Number	Qty	Description
-	0017-00101-1775	4	Hardware: Deck Screws 1.25"
-	OK40-01026-0002	8	Deck Spring
-	OK58-01397-0000	1	Striding Belt
-	OK65-01263-0000	1	Deck
-	0017-00103-0198	4	Hardware: Tinnerman Clip 1/4" ID
-	M051-00K58-A101	1	Belt Limit Label. Left
-	M051-00K58-A100	1	Label: Belt Limit: Right
-	0017-00101-1652	8	Hardware: Spring Mounting Screw 1"
-	0017-00101-1880	2	Hardware: Tension Bolts 3"
-	OK58-01068-0000	1	Rear Roller - 5"
-	M051-00K58-A014	1	Label: Caution
-	0017-00104-0072	8	Hardware: Flat Washer 0.562" OD

Cables

Ref #	Part Number	Qty	Description
-	AK58-00034-0001	1	Console Power Cable
-	AK58-00032-0000	1	User Proximity Sensor Cable
-	AK58-00520-0000	1	Power Cable Assembly: 100-120V
-	AK58-00237-0000	1	Cable-Assembly: Polar/E-Stop
-	AK58-00224-0001	1	Cable: MOV; Fliter
-	AK58-00083-0001	1	Jumper Cable Assembly: Green/Yellow - 7"
-	AK58-00036-0000	1	Cable-Assembly: Emergency-Stop Switch
-	0017-00003-0950	1	100v 4 AMP Breaker
-	AK58-00041-0001	1	Heart Rate Sensor Cable
-	AK58-00031-0000	1	Side Console Cable Assembly
-	AK58-00598-0000	1	Cable: ISO Power
-	AK58-00597-0000	1	Cable Extension ISO Sensor
-	AK58-00083-0000	1	Cable Assembly
-	AK60-00009-0001	1	Negative Switch Cable Assembly
-	AK58-00524-0000	1	Cable: Thermal Adapter
-	AK32-00020-0002	1	Coax Cable: 120"
-	AK58-00263-0000	1	Hi-Pot Jumper Cable
-	AK58-00081-0000	1	Jumper Cable Assembly: Black - 4"
-	AK58-00027-0000	1	Limit Switch Cable
-	AK32-00078-0001	1	Power Extension Cable: 120"
-	AK58-00082-0000	1	Jumper Cable Assembly: White - 6"
-	0017-00003-1015	1	20 amp Line Filter (DOM)

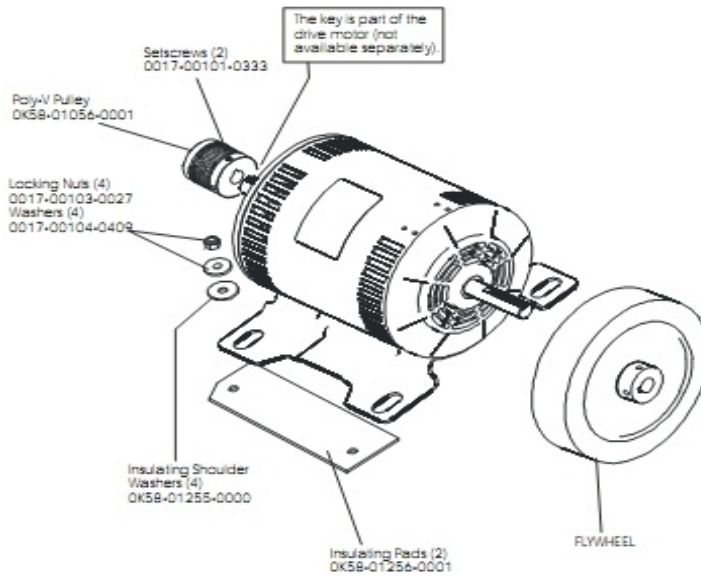
Ref #	Part Number	Qty	Description
-	AK58-00522-0000	1	Cable: Jumper; Power; LED Console

Console Components



Ref #	Part Number	Qty	Description
-	0K58-01357-0000	1	Decal
-	0017-00101-1288	8	Hardware: Phillips Screw 0.5"
-	0017-00101-1275	13	Hardware: Phillips Screw 0.375"
-	0K58-01280-0000	1	Accessory Cover
-	0017-00032-0185	1	Micro Switch 150GR
-	0K40-01070-0000	2	Magnetic Disk
-	0K58-01359-0000	1	Rubber Pad
-	0K58-01273-0000	1	Front Console Case
-	AK58-00237-0000	1	Cable-Assembly: Polar/E-Stop
-	AK58-00031-0000	1	Side Console Cable Assembly
-	0K58-01321-0000	1	Stop Switch
-	118E-00001-0259	1	Wireless Receiver Module, Non-Coded
-	AK58-00322-0000	1	Tether Stop Assembly
-	B084-92255-B000	1	PCB Assembly
-	0K58-01272-0000	1	Rear Console Case
-	A084-92185-A009	1	PCB Assembly

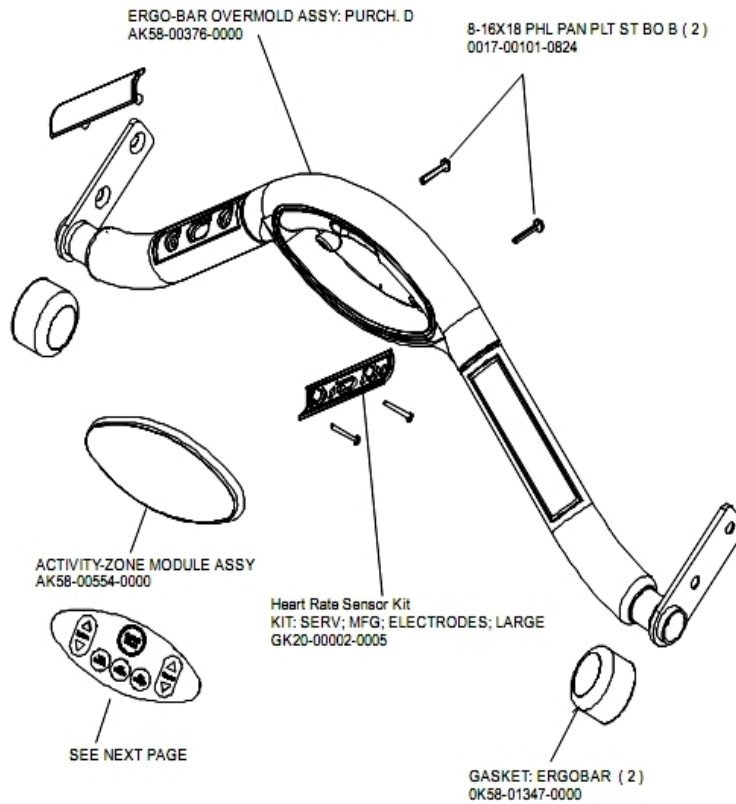
Drive Motor Assembly



Description	Part Nos.	
	S/N TST100000–TST100343	S/N TST100344 and up
Drive Motor Assembly	AK58-00171-0001 (dual cable)	AK58-00171-0002 (tapered shaft)
Cast Iron Flywheel	0K58-01092-0002	0K58-01092-0004
Drive Motor Setscrews/Bolt	0017-00101-0975 (uses setscrews)	0017-00101-1885 (uses bolt)

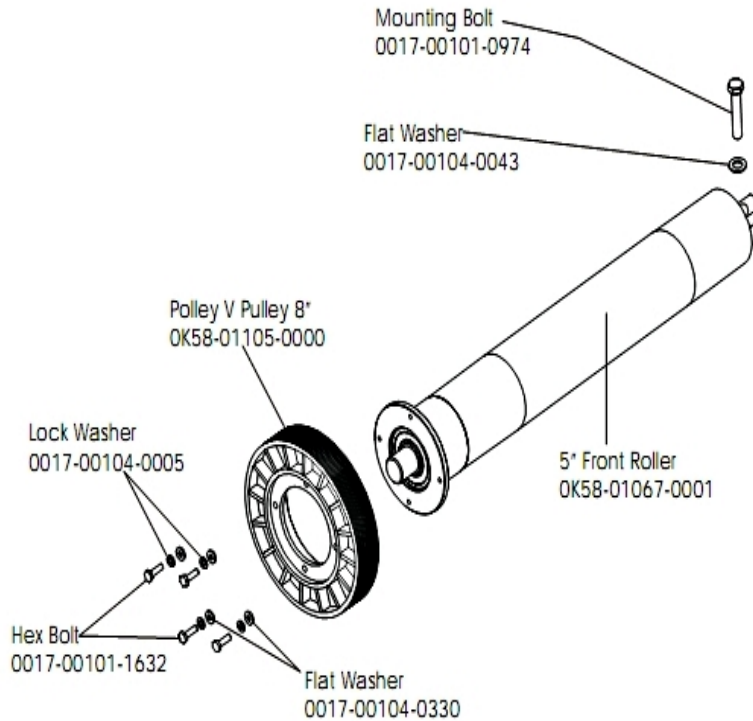
Ref #	Part Number	Qty	Description
-	AK58-00171-0001	1	Drive Motor Assembly
-	0017-00101-0975	1	Hardware: Mounting Bolt 0.375"
-	0017-00103-0027	4	Hardware: Locking Nut. 5/16" ID
-	0K58-01092-0002	1	Cast Iron Flywheel
-	0017-00101-1885	1	Hardware: Hex Bolt 1"
-	0017-00104-0409	4	Hardware: Washer 1.125" OD
-	0K58-01092-0004	1	Cast Iron Flywheel
-	0K58-01386-0004	1	MOTOR: MAIN DRIVE, 230V/50HZ, W/TAPER
-	0017-00101-0333	2	Hardware: Screw 0.3125"
-	0K58-01256-0001	2	Insulating Pad
-	0K58-01255-0000	4	Hardware: Insulating Washers

Ergo Bar, Heart Rate Sensors and Activity Zone



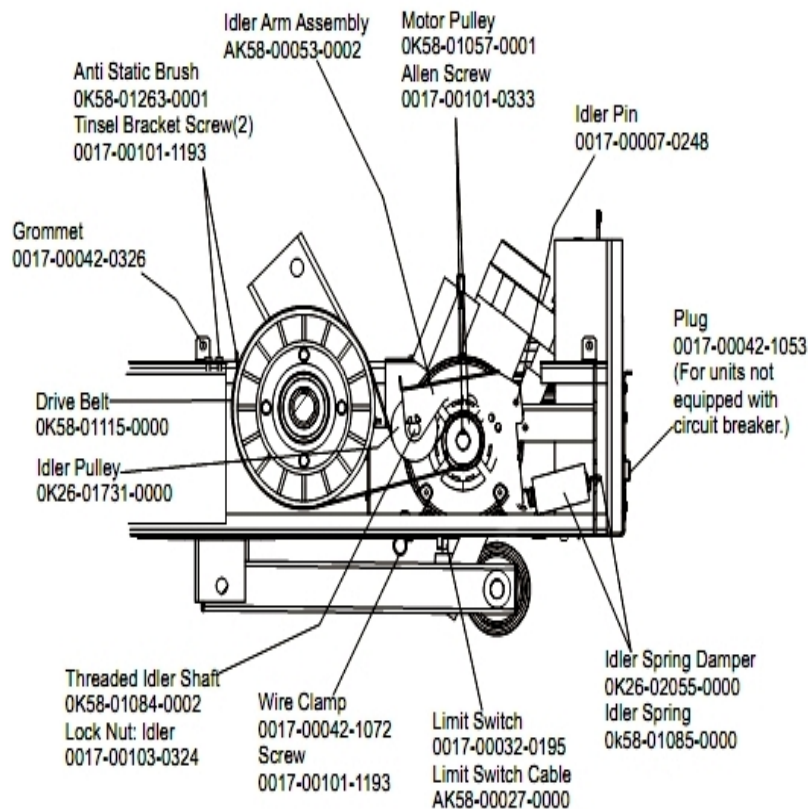
Ref #	Part Number	Qty	Description
-	AK58-00554-0201	1	Activity-Zone Module Assembly: Purchased; Generic Shadow Grey
-	GK20-00002-0005	2	Heart Rate Electrode Kit
-	0017-00101-0824	2	Hardware: Screw 1.125"
-	AK58-00376-0001	1	Ergo-Bar Overmold Assembly
-	OK58-01347-0000	2	ErgoBar Gasket

Front Roller Assembly



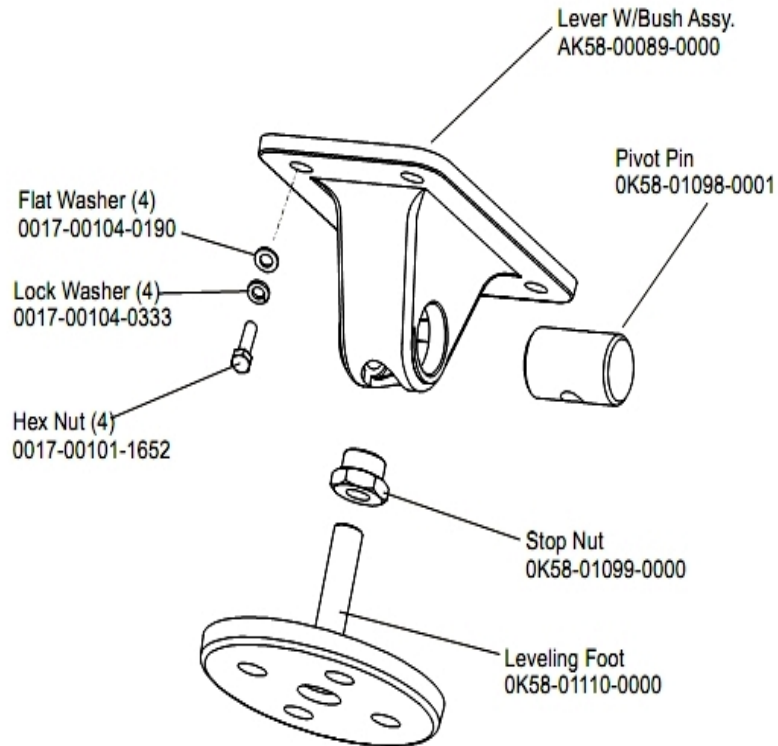
Ref #	Part Number	Qty	Description
-	0017-00101-0974	1	Hardware: Mounting Bolt 2"
-	0017-00101-1632	4	Hardware: Hex Bolt 0.875"
-	OK58-01105-0000	1	Drive Pulley Poly V - 8"
-	OK58-01067-0001	1	Front Roller - 5"
-	0017-00104-0005	4	Hardware: Lock Washer 0.489" OD
-	0017-00104-0330	4	Hardware: Flat Washers 0.562" OD
-	AK58-00067-0000	1	Front Roller Assembly
-	0017-00104-0043	1	Hardware: Flat Washer 0.734" OD

Idler Arm Assembly



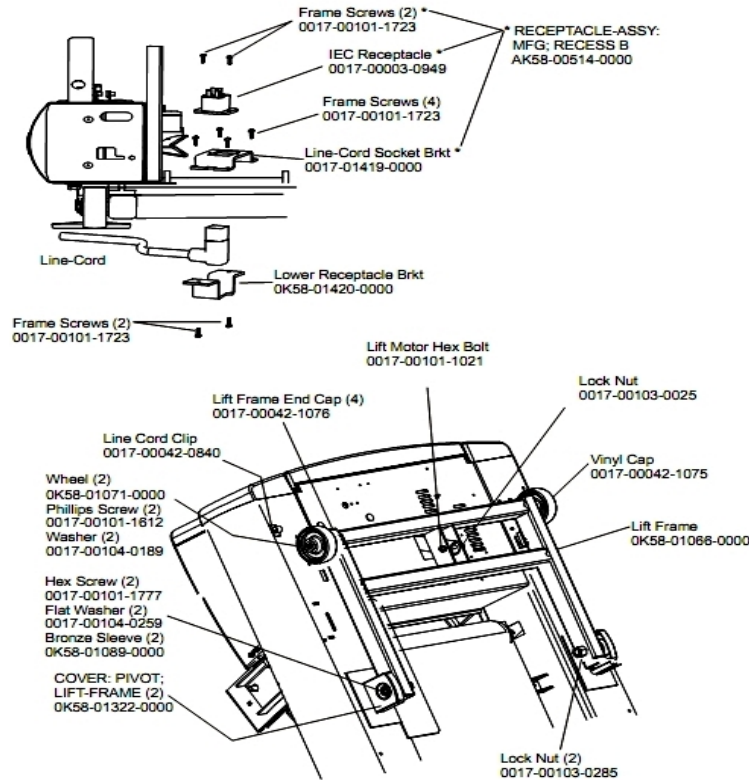
Ref #	Part Number	Qty	Description
-	OK58-01057-0001	1	Drive Pulley - 1.971"
-	GK58-00002-0129	1	KIT: TREADMILL BELT AND PULLEY
-	0017-00042-1053	1	Plug (For units not equipped with circuit breaker.)
-	0017-00103-0324	1	Hardware: Thin Lock Nut 3/8" ID
-	AK58-00027-0000	1	Limit Switch Cable
-	OK26-01731-0000	1	Plastic Idler 2 5/8" OD
-	OK26-02055-0000	1	Spring Damper
-	0017-00032-0195	1	Home Switch
-	0017-00042-1072	1	Hardware: Wire Clamp - 5/8"
-	0017-00007-0248	1	Hardware: Locking Pin .31" D 2.125" L
-	0017-00042-0326	1	Hardware: Plastic Grommet
-	0017-00101-1193	3	Hardware: Screw 0.375"
-	OK58-01084-0002	1	Threaded Shaft
-	0017-00101-0333	1	Hardware: Screw 0.3125"
-	AK58-00053-0002	1	Idler Arm Assembly
-	OK58-01085-0000	1	Extension Spring
-	OK58-01263-0001	1	Tinsel Bracket

Leg Leveler Assembly



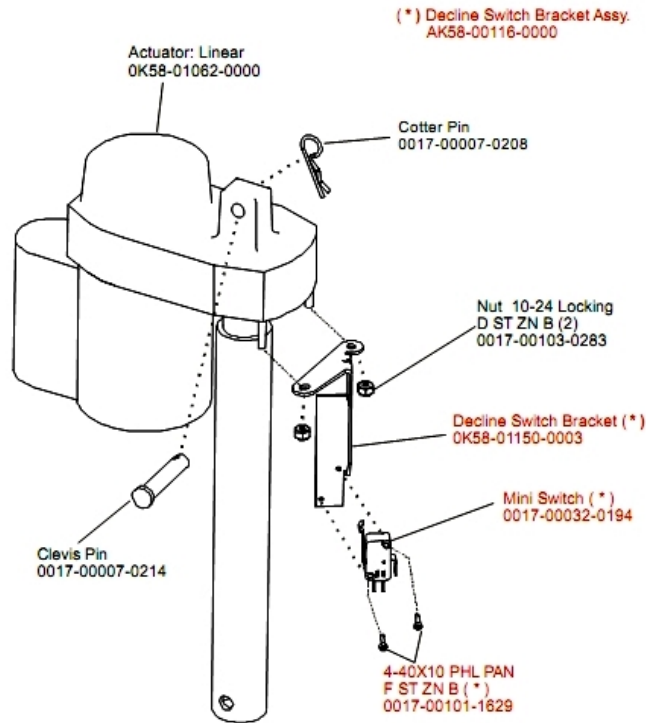
Ref #	Part Number	Qty	Description
-	AK58-00464-0000	2	Leveler Assembly
-	AK58-00089-0000	2	Bracket Leveler
-	0K58-01099-0000	2	Hardware: Stop Nut
-	0017-00104-0333	8	Hardware: Washer 0.683" OD
-	0017-00101-1652	8	Hardware: Spring Mounting Screw 1"
-	0017-00104-0190	8	Hardware: Flat Washer 0.734" OD
-	0K58-01098-0001	2	Hardware: Pivot Pin
-	0K58-01110-0000	2	Leveler Foot

Lift Frame and Receptacle Assembly



Ref #	Part Number	Qty	Description
-	AK58-00220-0000	1	LIFT-FRAME ASSY: MFG. C
-	0K58-01420-0000	1	Lower Receptacle Bracket
-	0K58-01089-0000	2	Bronze Sleeve Bushings
-	0017-00042-0840	1	Hardware: Push Mount Clip
-	0K58-01071-0000	2	Wheel
-	0017-00042-1075	1	Vinyl Cap
-	0017-00101-1612	2	Hardware: Phillips Screw 0.5"
-	0017-00003-0949	1	IEC Receptacle
-	0017-00104-0259	2	Hardware: Washer 1.331" OD
-	0017-00103-0025	1	Hardware: Locking Nut 3/8" ID
-	0017-00101-1021	1	Hardware: Lift Motor Hex Bolt 2.5"
-	AK58-00514-0000	1	Receptacle Assembly
-	0017-00101-1723	8	Hardware: Phillips Pan Screw 0.375"
-	0K58-01419-0000	1	Line Cord Socket Bracket
-	0017-00104-0189	2	Hardware: Flat Washer 1" OD
-	0017-00042-1076	4	Lift Frame End Cap
-	0K58-01322-0000	2	Lift Frame Pivot Cover
-	0017-00103-0285	4	Hardware: Nut 5/8" ID
-	0017-00101-1777	2	Hardware: Lift Frame Mounting Bolt 2.75"

Lift Motor Assembly



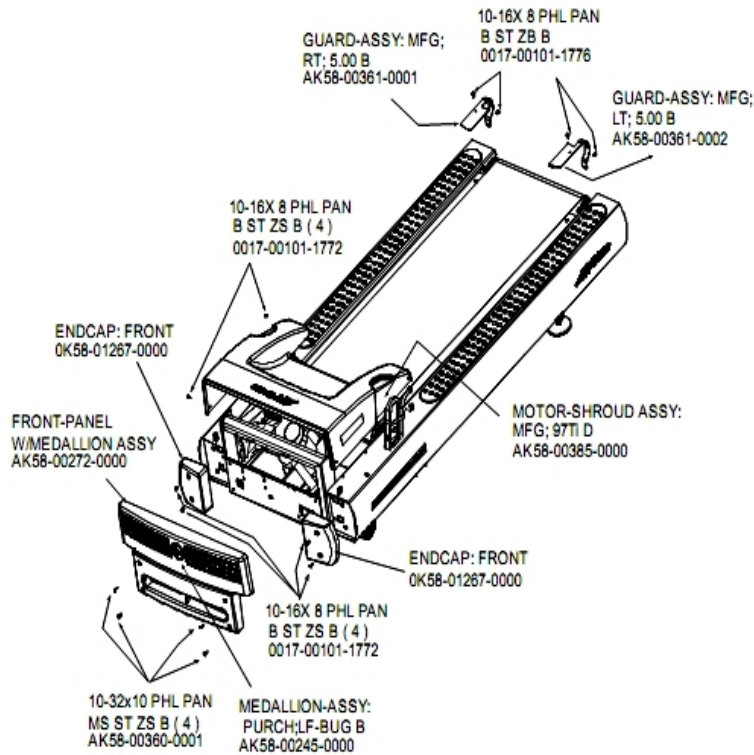
Ref #	Part Number	Qty	Description
-	0017-00103-0283	2	Hardware: Locking Nut ID
-	OK58-01150-0003	1	Decline Switch Bracket
-	0017-00007-0214	1	Hardware: Clevis Pin 3/8" D 1.75" L
-	AK58-00116-0000	1	Switch Bracket Assembly
-	OK58-01062-0000	1	Lift Motor - 120/60
-	0017-00007-0208	1	Hardware: Cotter Pin
-	AK58-00075-0000	1	Lift Motor Bracket Assembly
-	0017-00032-0194	1	Mini Switch; SPDT
-	0017-00101-1629	4	Hardware: Phillips Pan Screw 0.625"

Miscellaneous

Ref #	Part Number	Qty	Description
-	0017-00009-1049	1	Torx Wrench
-	0K58-01391-0002	1	Rear Roller Guard Left
-	AK58-00226-0000	1	Hardware Bag
-	0017-00101-1773	6	Hardware: TORX Screw 0.5"
-	0K58-01391-0001	1	Rear Roller Guard Right
-	0017-00101-1780	8	Hardware: Mounting Screws
-	0017-00101-1774	4	Hardware: TORX Screw 2.5"
-	0017-00008-0211	1	Paint: Shadow-Gray Touch Up: .6 OZ Bottle
-	GK58-00002-0096	1	Roller Guard kit
-	0017-00104-0325	4	Hardware: Washer 0.873" OD
-	0017-00101-1776	4	Hardware: Mounting Screw 0.5"
-	0017-00008-0210	1	Paint: Shadow-Gray Touch Up: .6 OZ Bottle
-	0017-00008-0205	1	5 oz Bottle - Arctic Silver
-	M051-00K58-B128	1	Service Instructions - Roller Guards
-	0017-00008-0204	1	Paint Spray Can - Arctic Silver
-	0017-00042-0840	5	Hardware: Push Mount Clip
-	0017-00101-1770	6	Hardware: Phillips Pan Screw 0.5"
-	0K58-01376-0000	2	Anti-Scuff Pad
-	0017-00101-1772	6	Hardware: Phillips Pan Screw 0.5"
-	0K58-01347-0000	2	ErgoBar Gasket
-	0017-00008-0206	1	.33oz Pen - Arctic Silver
-	0017-00042-0326	4	Hardware: Plastic Grommet

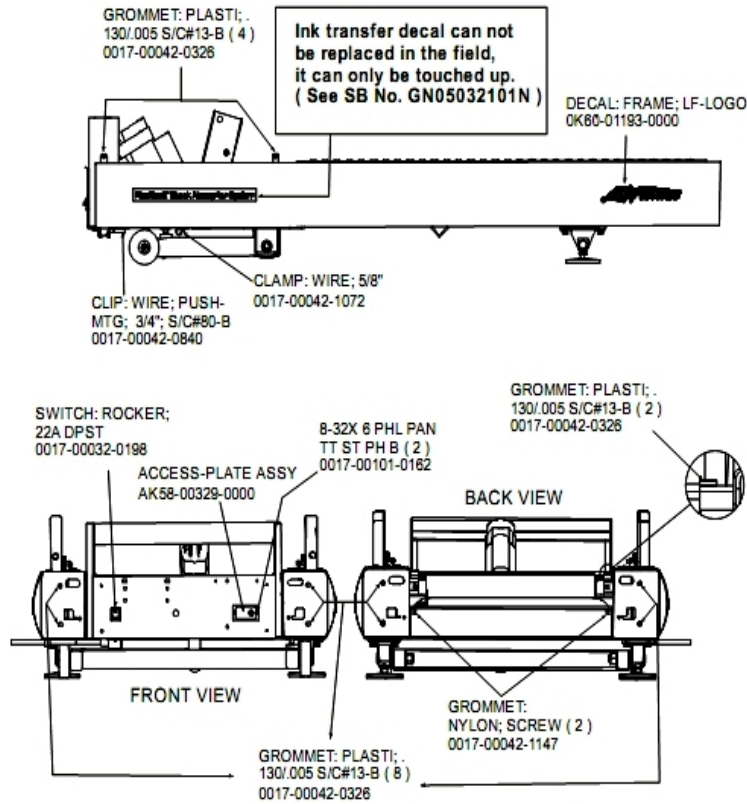
Ref #	Part Number	Qty	Description
-	0017-00042-1147	2	Hardware: Nylon Grommet
-	0017-00103-0327	4	Hardware: Hex Nut 5/16" ID
-	0K58-01305-0002	2	Upright Plug
-	0017-00101-1778	4	Hardware: Hex Bolt 1"

Motor Cover, Front Cover and End Caps



Ref #	Part Number	Qty	Description
-	0K58-01391-0001	1	Rear Roller Guard Right
-	0017-00101-1772	2	Hardware: Phillips Pan Screw 0.5"
-	AK58-00272-0000	1	Front Panel with Medallion
-	0017-00101-1776	1	Hardware: Mounting Screw 0.5"
-	AK58-00360-0001	1	Rear Roller Guard: Right
-	0K58-01391-0002	1	Rear Roller Guard Left
-	AK58-00385-0000	1	Motor Cover
-	AK58-00245-0000	1	Bug Medallion
-	0K58-01267-0000	1	End Cap

On/Off Switch, Access Plate and Grommets

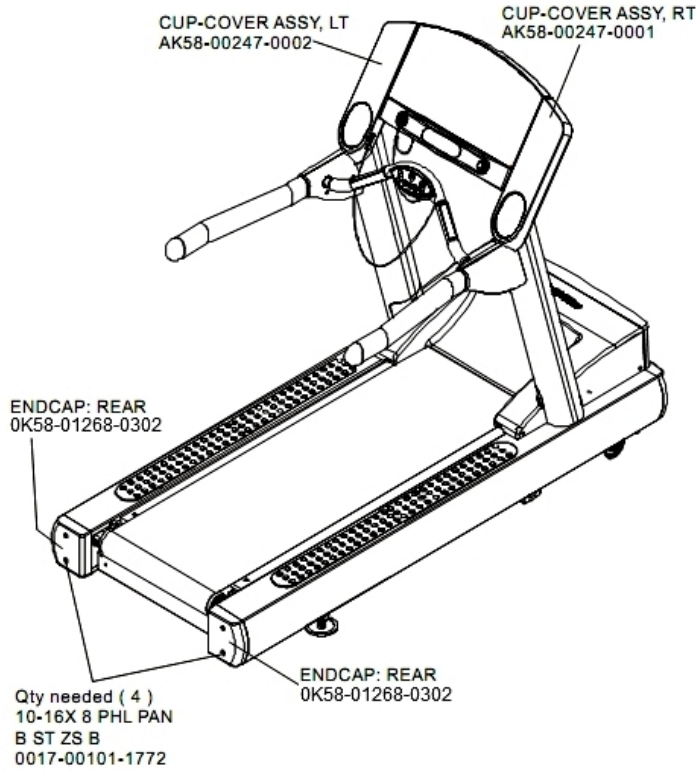


Ref #	Part Number	Qty	Description
-	0017-00101-0162	2	Hardware: Screw 0.375"
-	AK58-00329-0000	1	Access Panel Assembly
-	0017-00042-1072	1	Hardware: Wire Clamp - 5/8"
-	OK60-01193-0000	2	Decal: LF Logo
-	0017-00042-1147	2	Hardware: Nylon Grommet
-	0017-00042-0326	14	Hardware: Plastic Grommet
-	0017-00042-0840	1	Hardware: Push Mount Clip
-	0017-00032-0198	1	On/Off Switch 22A

Optional Line Cords

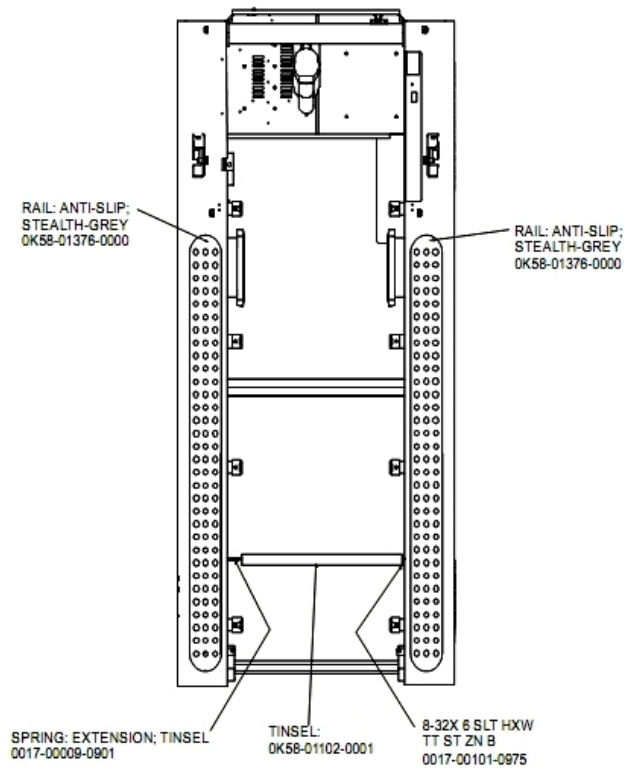
Ref #	Part Number	Qty	Description
-	0017-00003-0947	1	Line Cord: 120V; 20A; 12'
-	0017-00003-0974	1	Line Cord: 120V: 8'
-	0017-00003-0915	1	Line Cord RT Angle Plug
-	0017-00003-0980	1	Line Cord: US Low Voltage 144"

Rear End Caps and Cup Holders



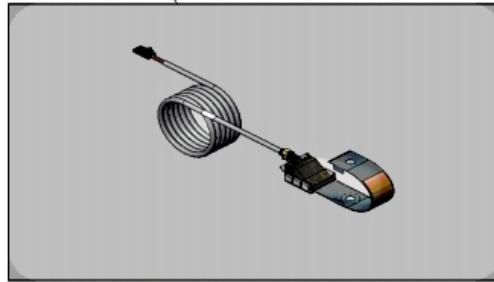
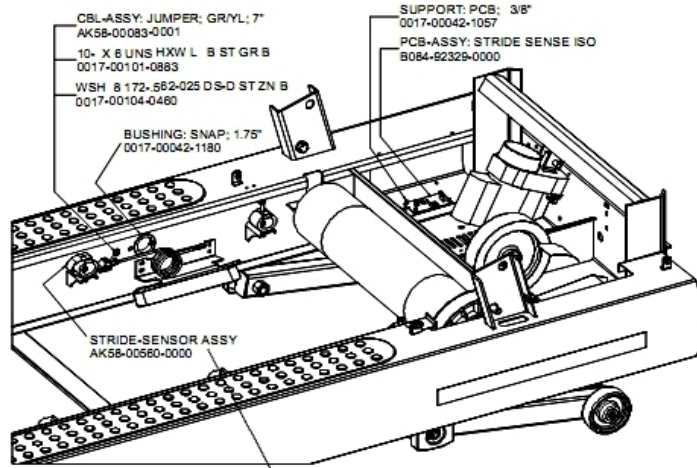
Ref #	Part Number	Qty	Description
-	OK58-01268-0302	2	ENDCAP: REAR; STEALTH D
-	AK58-00247-0002	1	Cup Holder Left
-	AK58-00247-0001	1	Cup Holder Right
-	0017-00101-1772	1	Hardware: Phillips Pan Screw 0.5"

Scuff Pad and Tinsel



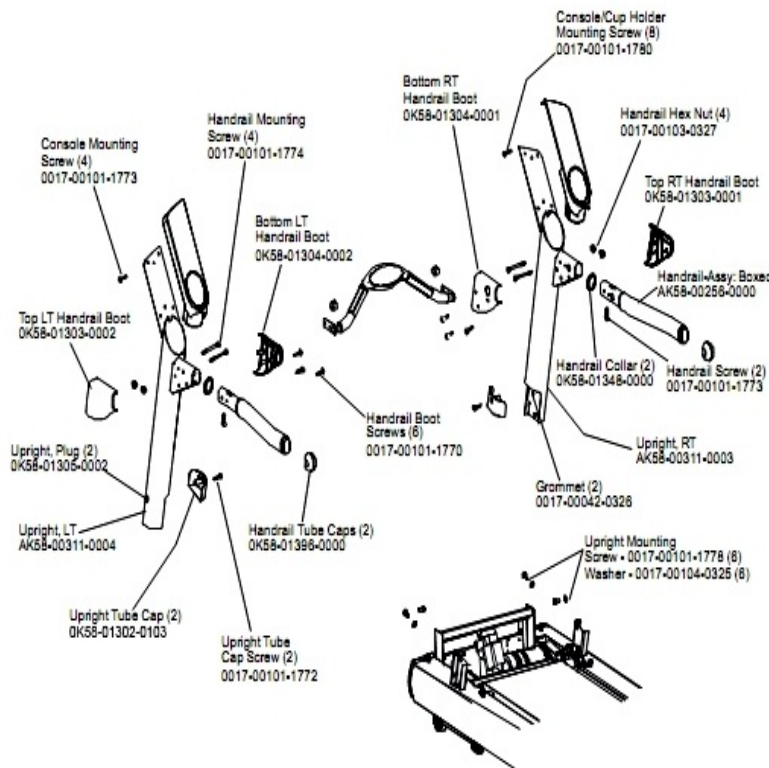
Ref #	Part Number	Qty	Description
-	OK58-01376-0000	2	Anti-Scuff Pad
-	0017-00101-0975	1	Hardware: Mounting Bolt 0.375"
-	OK58-01102-0001	1	Anti-Static Tinsel
-	0017-00009-0901	1	Tinsel Extension Spring

Stride Sensor Assembly and Stride Sensor



Ref #	Part Number	Qty	Description
-	0017-00042-1180	1	Hardware: Snap Bushing - 1.75"
-	AK58-00560-0000	1	Stride Sensor Assembly
-	B084-92329-0000	1	PCB-ASSY: STRIDE SENSE ISO
-	0017-00042-1057	1	Support: Printed Circuit Board; 3/8"

Uprights and Handrails



Ref #	Part Number	Qty	Description
-	0017-00101-1773	6	Hardware: TORX Screw 0.5"
-	0K58-01348-0000	2	Handrail Collar
-	0K58-01396-0000	2	Endcap
-	0K58-01303-0002	1	Top Left Handrail Boot
-	0K58-01304-0001	1	Bottom Right Handrail Boot
-	0K58-01304-0002	1	Bottom Left Handrail Boot
-	0017-00101-1772	2	Hardware: Phillips Pan Screw 0.5"
-	0K58-01303-0001	1	Top Right Handrail Boot
-	0017-00042-0326	2	Hardware: Plastic Grommet
-	0017-00103-0327	4	Hardware: Hex Nut 5/16" ID
-	0K58-01302-0103	2	Cap: Upright Tube; Arctic Silver
-	0K58-01305-0002	2	Upright Plug
-	AK58-00256-0001	1	Handrail
-	AK58-00311-0004	1	Upright: Left
-	0017-00101-1778	1	Hardware: Hex Bolt 1"
-	0017-00104-0325	6	Hardware: Washer 0.873" OD
-	0017-00101-1774	4	Hardware: TORX Screw 2.5"
-	0017-00101-1780	8	Hardware: Mounting Screws
-	AK58-00311-0003	1	Upright: Right
-	0017-00101-1770	6	Hardware: Phillips Pan Screw 0.5"

