

97Ti Treadmill - 4HP AC - Lifepulse - Decline - Arctic Silver

97T-0130-03

Parts Manual

1/5/2019 11:49:17 AM



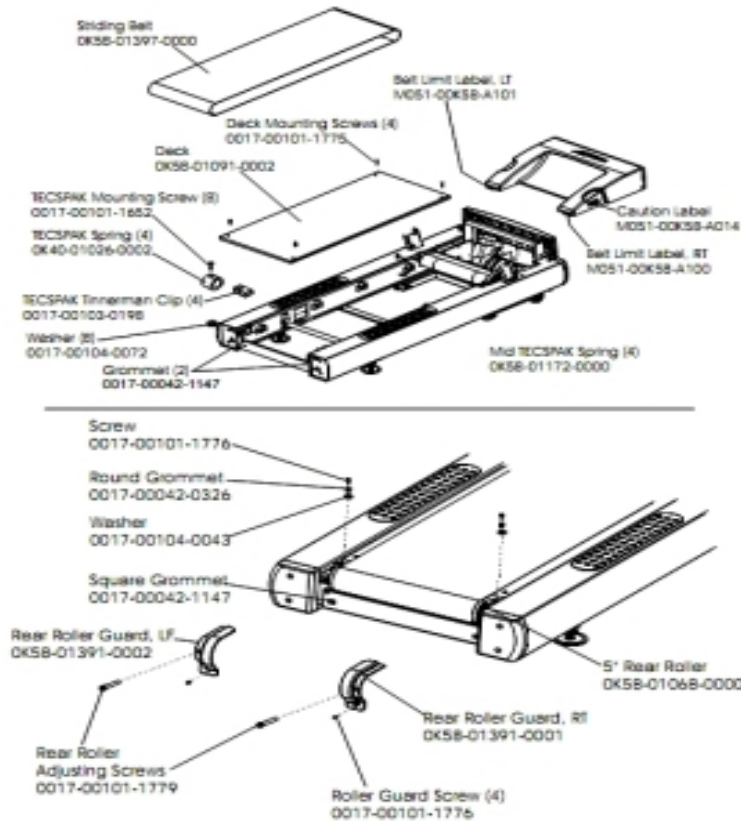
LifeFitness
WHAT WE LIVE FOR



Table of Contents

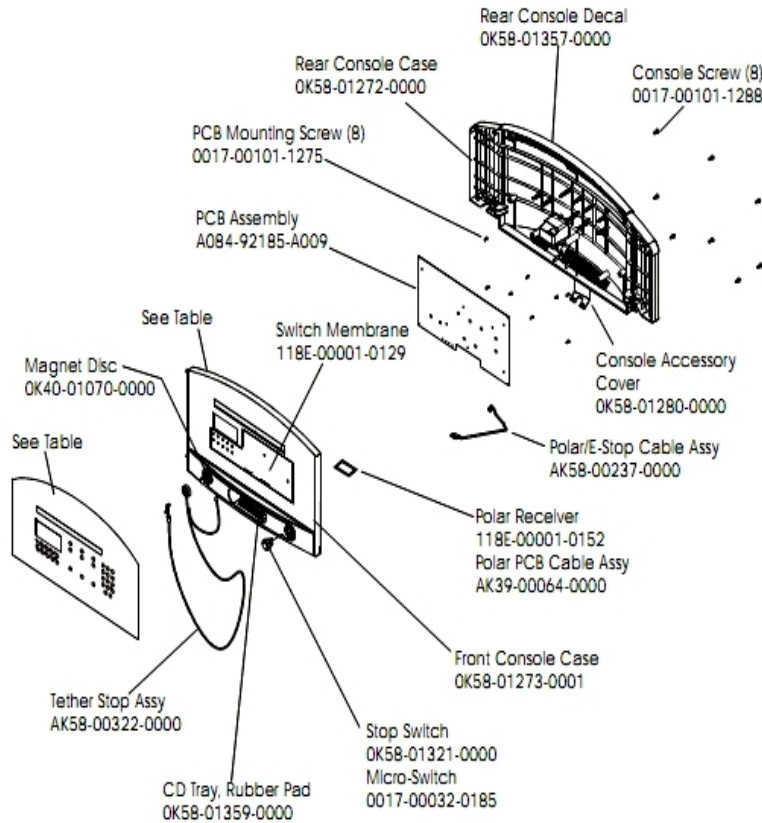
| | |
|--|--------------------|
| Belt, Deck, and Rear Roller..... | 3 |
| Console and Related Components..... | 4 |
| Drive Motor Assembly..... | 5 |
| Ergo Bar with Lifepulse..... | 6 |
| Front Roller Assembly..... | 7 |
| Idler Arm Assembly and Static Brush..... | 8 |
| Leveler Assembly..... | 9 |
| Lift Frame and Lift Motor..... | 10 |
| Miscellaneous..... | 12 |
| Motor Controller Assembly..... | 13 |
| Motor Cover, Front Cover and End Caps..... | 14 |
| Power Components..... | 15 |
| Rear End Caps and Cup Holders..... | 16 |
| Scuff Pad, Tinsel and Frame Tag Board..... | 17 |
| Uprights, Handrails and Ergo Bar..... | 18 |
| Wax/Lift Assembly..... | 20 |

Belt, Deck, and Rear Roller



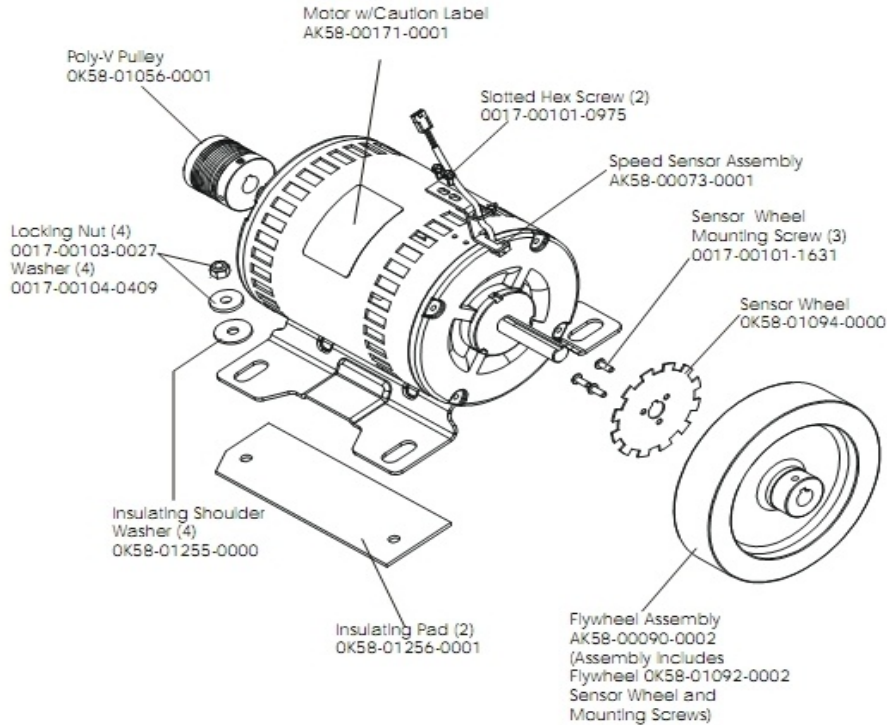
| Ref # | Part Number | Qty | Description |
|-------|-----------------|-----|--------------------------------------|
| - | OK40-01026-0002 | 4 | Deck Spring |
| - | OK58-01391-0002 | 1 | Rear Roller Guard Left |
| - | OK58-01397-0000 | 1 | Striding Belt |
| - | OK58-01391-0001 | 1 | Rear Roller Guard Right |
| - | M051-00K58-A101 | 1 | Belt Limit Label. Left |
| - | 0017-00101-1776 | 6 | Hardware: Mounting Screw 0.5" |
| - | M051-00K58-A014 | 1 | Label: Caution |
| - | OK58-01068-0000 | 1 | Rear Roller - 5" |
| - | 0017-00104-0043 | 2 | Hardware: Flat Washer 0.734" OD |
| - | 0017-00101-1652 | 8 | Hardware: Spring Mounting Screw 1" |
| - | 0017-00042-1147 | 4 | Hardware: Nylon Grommet |
| - | 0017-00042-0326 | 2 | Hardware: Plastic Grommet |
| - | OK58-01172-0000 | 4 | TECSPAK Spring |
| - | 0017-00101-1779 | 2 | Hardware: Rear Roller Adjusting Bolt |
| - | M051-00K58-A100 | 1 | Label: Belt Limit: Right |
| - | 0017-00104-0072 | 8 | Hardware: Flat Washer 0.562" OD |
| - | 0017-00103-0198 | 4 | Hardware: Tinnerman Clip 1/4" ID |

Console and Related Components



| Ref # | Part Number | Qty | Description |
|-------|-----------------|-----|--|
| - | 118E-00001-0259 | 1 | Wireless Receiver Module, Non-Coded |
| - | OK58-01321-0000 | 1 | Stop Switch |
| - | AK58-00322-0000 | 1 | Tether Stop Assembly |
| - | 0017-00101-1275 | 8 | Hardware: Phillips Screw 0.375" |
| - | 0017-00103-0327 | 4 | Hardware: Hex Nut 5/16" ID |
| - | OK40-01070-0000 | 1 | Magnetic Disk |
| - | OK58-01280-0000 | 1 | Accessory Cover |
| - | 0017-00032-0185 | 1 | Micro Switch 150GR |
| - | OK58-01359-0000 | 1 | Rubber Pad |
| - | AK58-00390-0001 | 1 | Console: English/Metric |
| - | AK58-00237-0000 | 1 | Cable-Assembly: Polar/E-Stop |
| - | 118E-00001-0244 | 1 | Heart Rate Receiver |
| - | OK58-01296-0001 | 1 | Overlay - English / Metric |
| - | OK58-01273-0001 | 1 | Front Console Case |
| - | OK58-01272-0000 | 1 | Rear Console Case |
| - | OK58-01357-0000 | 1 | Decal |
| - | 0017-00101-1288 | 8 | Hardware: Phillips Screw 0.5" |
| - | AK58-00202-0001 | 1 | Overlay Switch Bezel Assembly - English/European |
| - | 118E-00001-0129 | 1 | Switch Membrane |
| - | A084-92185-A009 | 1 | PCB Assembly |

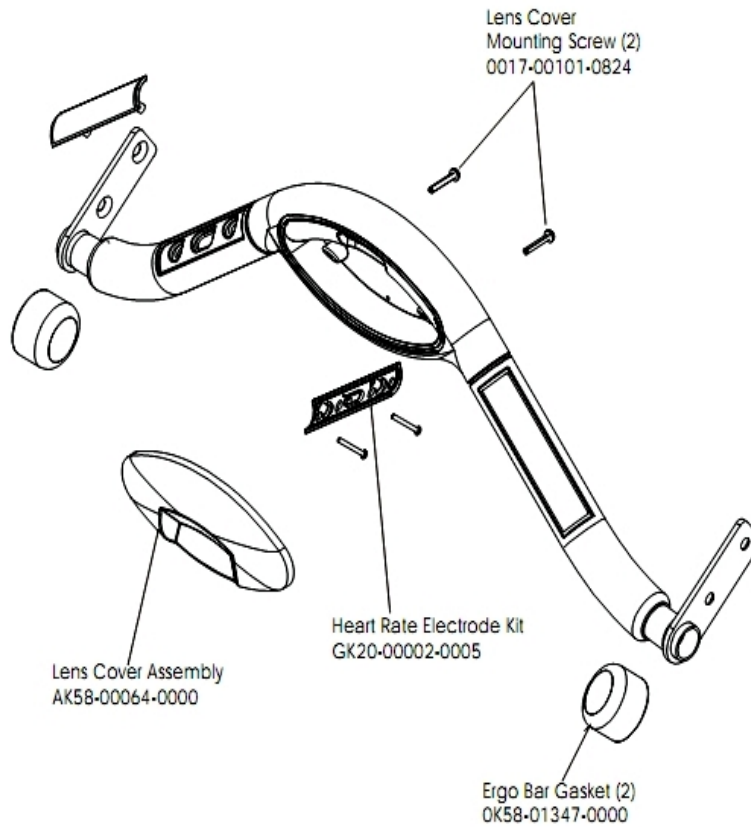
Drive Motor Assembly



| Drive Motor Assembly Number | Motor Serial Number |
|-----------------------------|-----------------------|
| AK58-00172-0000 | ATV100000 – ATV100368 |
| AK58-00172-0002 | ATV100369 and up |

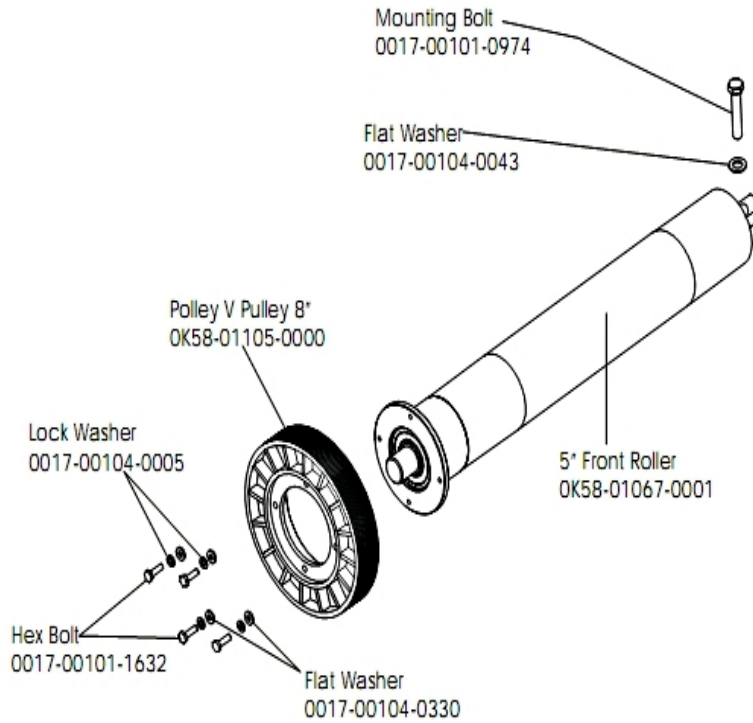
| Ref # | Part Number | Qty | Description |
|-------|-----------------|-----|---------------------------------------|
| - | AK58-00171-0001 | 2 | Drive Motor Assembly |
| - | 0017-00101-0975 | 2 | Hardware: Mounting Bolt 0.375" |
| - | 0017-00103-0027 | 4 | Hardware: Locking Nut. 5/16" ID |
| - | AK58-00171-0000 | 1 | Motor with Caution Label |
| - | OK58-01255-0000 | 4 | Hardware: Insulating Washers |
| - | AK58-00073-0001 | 1 | Speed Sensor Assembly |
| - | OK58-01094-0000 | 1 | Sensor Wheel |
| - | AK58-00090-0002 | 1 | Flywheel Assembly |
| - | OK58-01256-0001 | 2 | Insulating Pad |
| - | 0017-00101-1631 | 3 | Hardware: Sensor Wheel Mounting Screw |
| - | 0017-00104-0409 | 4 | Hardware: Washer 1.125" OD |

Ergo Bar with Lifepulse



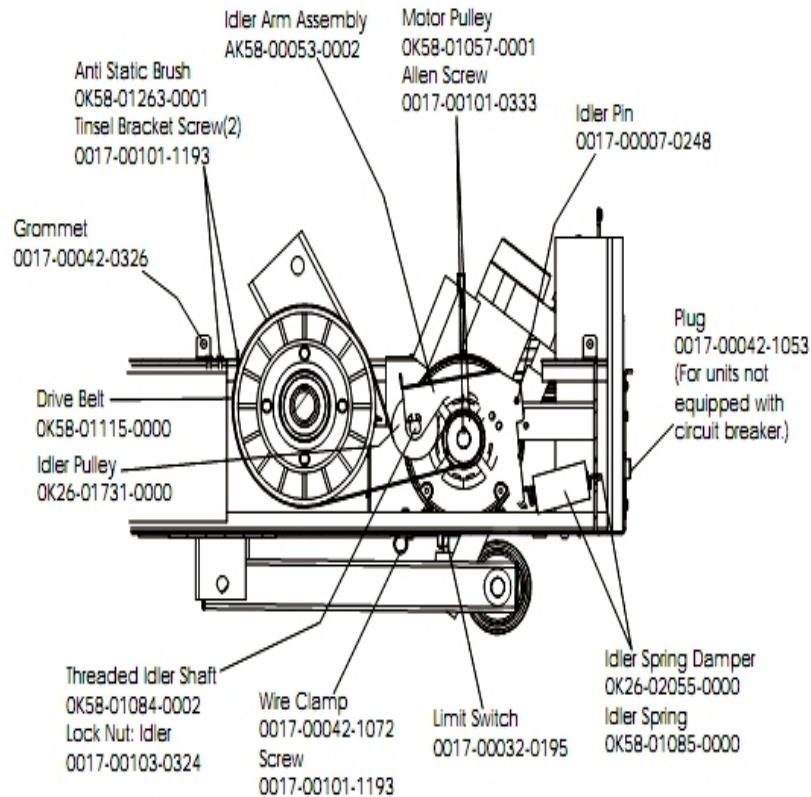
| Ref # | Part Number | Qty | Description |
|-------|-----------------|-----|--------------------------|
| - | AK58-00064-0000 | 1 | I/R Lens Cover Assembly |
| - | 0017-00101-0824 | 2 | Hardware: Screw 1.125" |
| - | OK58-01347-0000 | 2 | ErgoBar Gasket |
| - | GK20-00002-0005 | 2 | Heart Rate Electrode Kit |

Front Roller Assembly



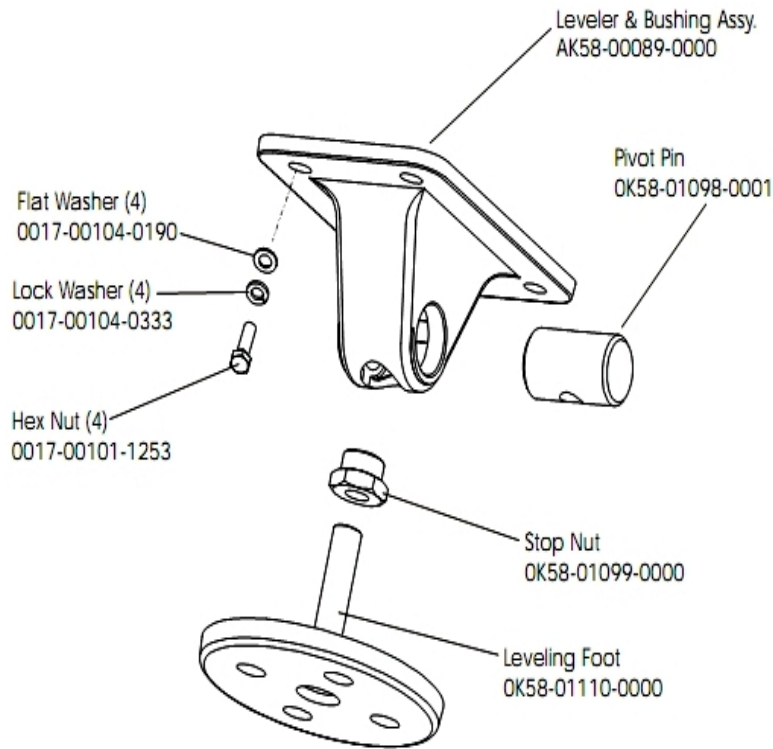
| Ref # | Part Number | Qty | Description |
|-------|-----------------|-----|----------------------------------|
| - | 0017-00101-0974 | 1 | Hardware: Mounting Bolt 2" |
| - | 0017-00101-1632 | 4 | Hardware: Hex Bolt 0.875" |
| - | OK58-01105-0000 | 1 | Drive Pulley Poly V - 8" |
| - | OK58-01067-0001 | 1 | Front Roller - 5" |
| - | 0017-00104-0005 | 4 | Hardware: Lock Washer 0.489" OD |
| - | 0017-00104-0330 | 4 | Hardware: Flat Washers 0.562" OD |
| - | AK58-00067-0000 | 1 | Front Roller Assembly |
| - | 0017-00104-0043 | 1 | Hardware: Flat Washer 0.734" OD |

Idler Arm Assembly and Static Brush



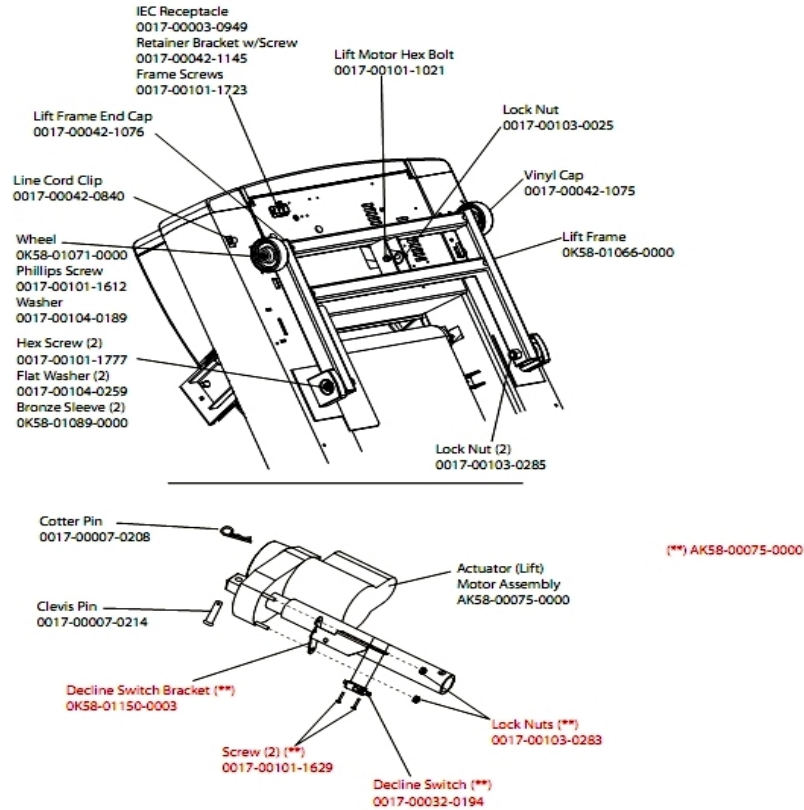
| Ref # | Part Number | Qty | Description |
|-------|-----------------|-----|---|
| - | OK58-01057-0001 | 1 | Drive Pulley - 1.971" |
| - | OK58-01263-0001 | 1 | Tinsel Bracket |
| - | 0017-00042-1053 | 1 | Plug (For units not equipped with circuit breaker.) |
| - | 0017-00103-0324 | 1 | Hardware: Thin Lock Nut 3/8" ID |
| - | OK26-01731-0000 | 1 | Plastic Idler 2 5/8" OD |
| - | OK26-02055-0000 | 1 | Spring Damper |
| - | 0017-00032-0195 | 1 | Home Switch |
| - | 0017-00042-1072 | 1 | Hardware: Wire Clamp - 5/8" |
| - | 0017-00007-0248 | 1 | Hardware: Locking Pin .31" D 2.125" L |
| - | 0017-00042-0326 | 1 | Hardware: Plastic Grommet |
| - | 0017-00101-1193 | 3 | Hardware: Screw 0.375" |
| - | OK58-01084-0002 | 1 | Threaded Shaft |
| - | 0017-00101-0333 | 1 | Hardware: Screw 0.3125" |
| - | OK58-01085-0000 | 1 | Extension Spring |
| - | GK58-00002-0129 | 1 | KIT: TREADMILL BELT AND PULLEY |

Leveler Assembly



| Ref # | Part Number | Qty | Description |
|-------|-----------------|-----|---------------------------------|
| - | OK58-01099-0000 | 2 | Hardware: Stop Nut |
| - | AK58-00089-0000 | 2 | Bracket Leveler |
| - | 0017-00101-1253 | 8 | Hardware: Screw |
| - | 0017-00104-0333 | 8 | Hardware: Washer 0.683" OD |
| - | AK58-00464-0000 | 2 | Leveler Assembly |
| - | OK58-01110-0000 | 2 | Leveler Foot |
| - | OK58-01098-0001 | 2 | Hardware: Pivot Pin |
| - | 0017-00104-0190 | 8 | Hardware: Flat Washer 0.734" OD |

Lift Frame and Lift Motor



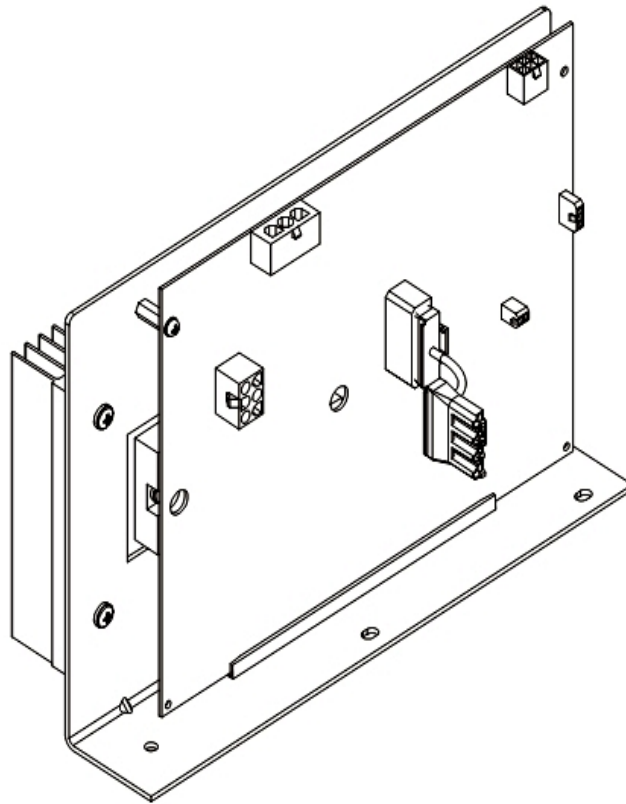
| Ref # | Part Number | Qty | Description |
|-------|-----------------|-----|--|
| - | 0017-00042-1076 | 1 | Lift Frame End Cap |
| - | 0017-00103-0285 | 2 | Hardware: Nut 5/8" ID |
| - | 0017-00007-0208 | 1 | Hardware: Cotter Pin |
| - | 0017-00101-1629 | 2 | Hardware: Phillips Pan Screw 0.625" |
| - | 0017-00101-1777 | 2 | Hardware: Lift Frame Mounting Bolt 2.75" |
| - | 0017-00104-0189 | 2 | Hardware: Flat Washer 1" OD |
| - | 0K58-01150-0003 | 1 | Decline Switch Bracket |
| - | 0017-00101-1723 | 1 | Hardware: Phillips Pan Screw 0.375" |
| - | 0017-00032-0194 | 1 | Mini Switch; SPDT |
| - | 0017-00042-1145 | 1 | Power Cord Retainer |
| - | 0017-00101-1021 | 1 | Hardware: Lift Motor Hex Bolt 2.5" |
| - | 0017-00103-0025 | 1 | Hardware: Locking Nut 3/8" ID |
| - | 0017-00104-0259 | 2 | Hardware: Washer 1.331" OD |
| - | 0017-00003-0949 | 1 | IEC Receptacle |
| - | AK58-00220-0000 | 1 | LIFT-FRAME ASSY: MFG. C |
| - | AK58-00075-0000 | 2 | Lift Motor Bracket Assembly |
| - | 0K58-01089-0000 | 2 | Bronze Sleeve Bushings |
| - | 0017-00042-0840 | 1 | Hardware: Push Mount Clip |
| - | 0K58-01071-0000 | 2 | Wheel |
| - | 0017-00101-1612 | 2 | Hardware: Phillips Screw 0.5" |
| - | 0017-00042-1075 | 1 | Vinyl Cap |

| Ref # | Part Number | Qty | Description |
|-------|-----------------|-----|-------------------------------------|
| - | 0017-00103-0283 | 1 | Hardware: Locking Nut ID |
| - | 0017-00007-0214 | 1 | Hardware: Clevis Pin 3/8" D 1.75" L |

Miscellaneous

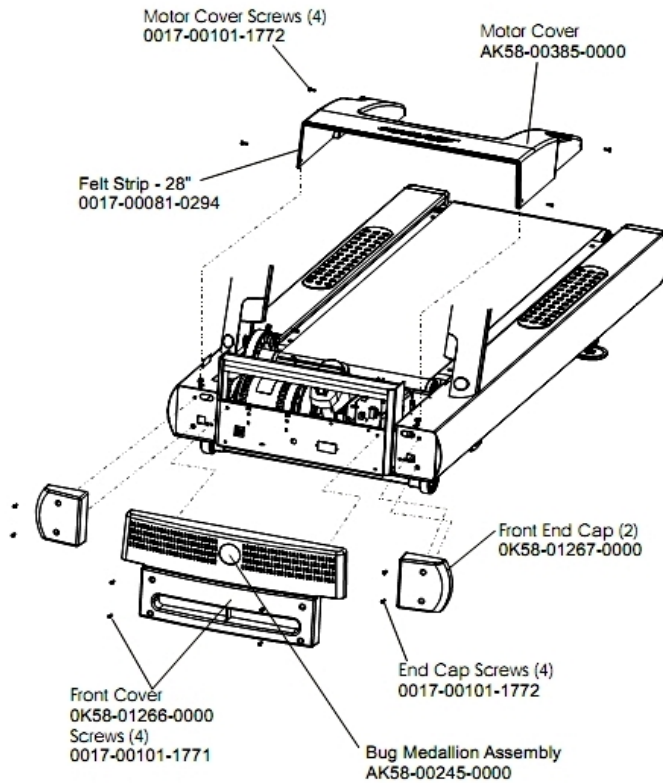
| Ref # | Part Number | Qty | Description |
|-------|-----------------|-----|---------------------------------|
| - | AK58-00226-0000 | 1 | Hardware Bag |
| - | 0017-00008-0206 | 1 | .33oz Pen - Arctic Silver |
| - | 0017-00008-0204 | 1 | Paint Spray Can - Arctic Silver |
| - | 0017-00008-0205 | 1 | 5 oz Bottle - Arctic Silver |

Motor Controller Assembly



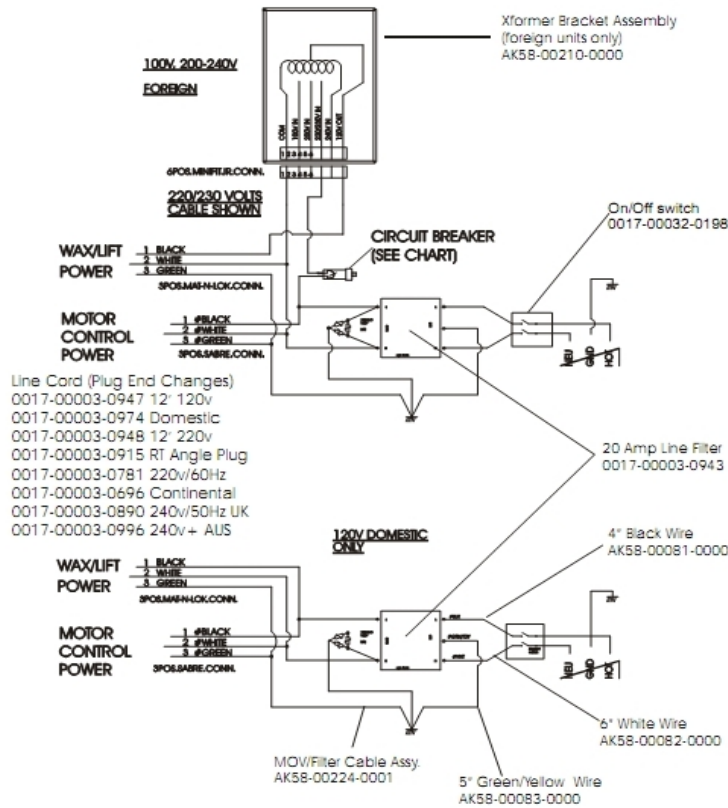
| Ref # | Part Number | Qty | Description |
|-------|-----------------|-----|--|
| - | GK65-00002-0018 | 1 | Kit: Service; Motor Controller; 100-120VA; Display |
| - | AK58-00522-0000 | 1 | Cable: Jumper; Power; LED Console |

Motor Cover, Front Cover and End Caps



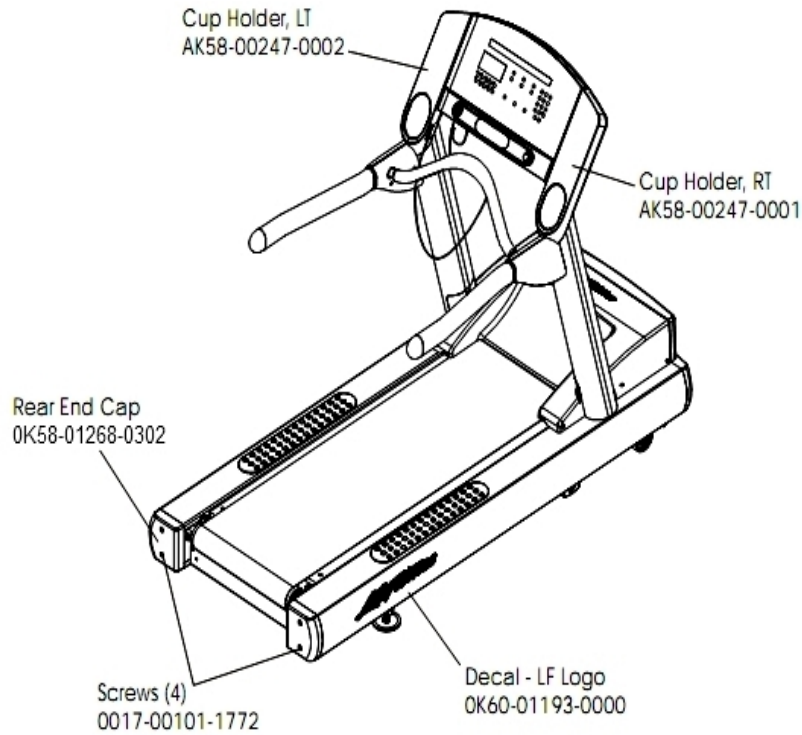
| Ref # | Part Number | Qty | Description |
|-------|-----------------|-----|-----------------------------------|
| - | 0017-00081-0294 | 1 | Felt Strip - 28" |
| - | 0017-00101-1772 | 4 | Hardware: Phillips Pan Screw 0.5" |
| - | AK58-00245-0000 | 1 | Bug Medallion |
| - | 0017-00101-1775 | 4 | Hardware: Deck Screws 1.25" |
| - | 0017-00101-1771 | 4 | Hardware: Phillips Pan Screw |
| - | AK58-00385-0000 | 1 | Motor Cover |
| - | OK58-01266-0000 | 1 | Front Cover |
| - | OK65-01263-0000 | 1 | Deck |

Power Components



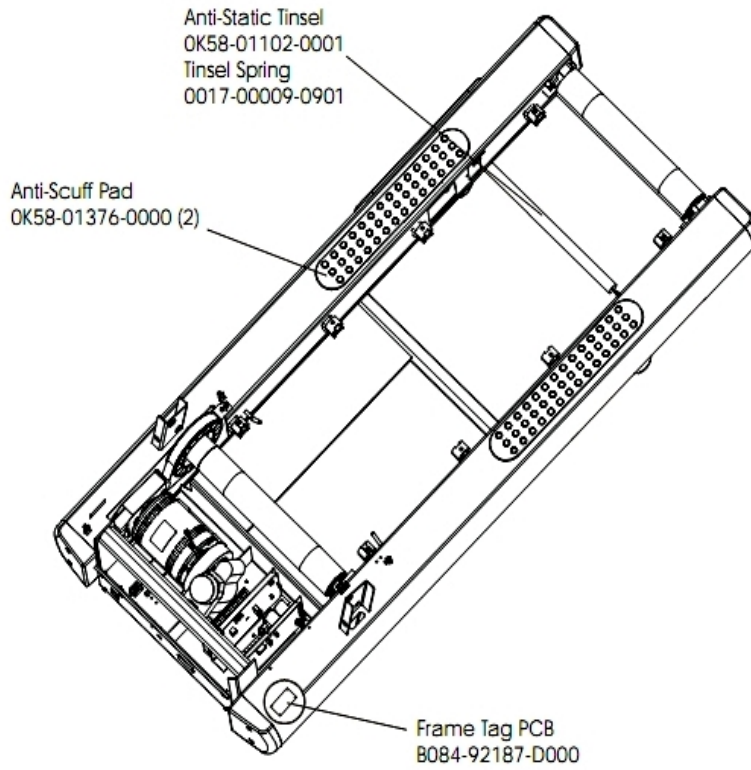
| Ref # | Part Number | Qty | Description |
|-------|-----------------|-----|-----------------------------------|
| - | 0017-00003-0943 | 1 | 10 Amp Line Filter 230v or higher |
| - | 0017-00003-0974 | 1 | Line Cord: 120V: 8' |
| - | AK58-00081-0000 | 1 | Jumper Cable Assembly: Black - 4" |
| - | 0017-00032-0198 | 2 | On/Off Switch 22A |
| - | AK58-00082-0000 | 1 | Jumper Cable Assembly: White - 6" |
| - | AK58-00224-0001 | 1 | Cable: MOV; Fliter |
| - | 0017-00003-0915 | 1 | Line Cord RT Angle Plug |
| - | AK58-00083-0000 | 1 | Cable Assembly |
| - | 0017-00003-0947 | 1 | Line Cord: 120V; 20A; 12' |
| - | AK58-00210-0000 | 1 | Transformer-Bracket Assembly |

Rear End Caps and Cup Holders



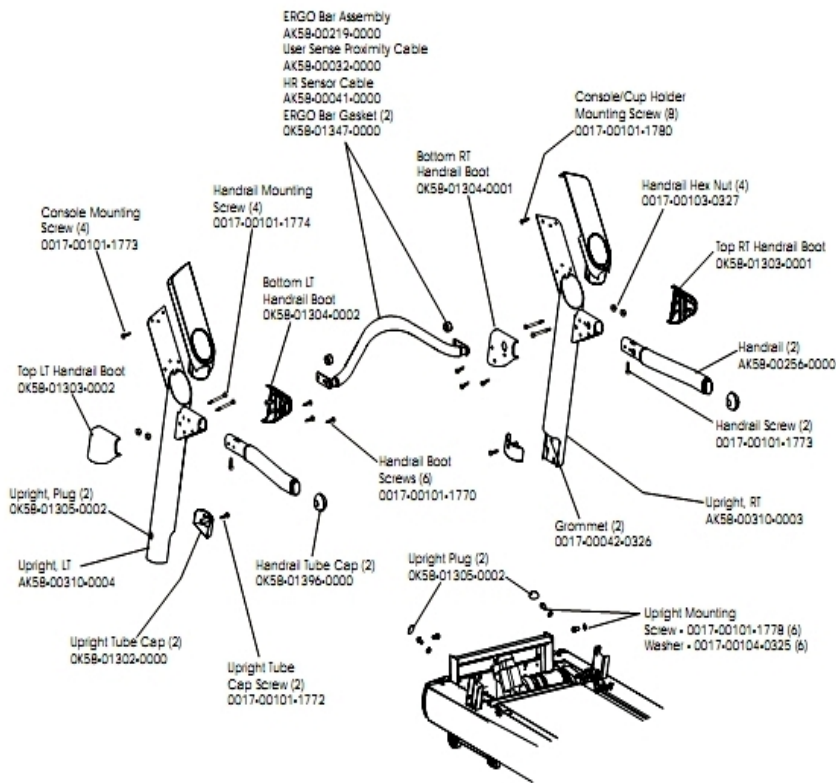
| Ref # | Part Number | Qty | Description |
|-------|-----------------|-----|-----------------------------------|
| - | 0K58-01268-0302 | 1 | ENDCAP: REAR; STEALTH D |
| - | 0017-00101-1772 | 4 | Hardware: Phillips Pan Screw 0.5" |
| - | AK58-00247-0002 | 1 | Cup Holder Left |
| - | AK58-00247-0001 | 1 | Cup Holder Right |
| - | 0K60-01193-0000 | 2 | Decal: LF Logo |

Scuff Pad, Tinsel and Frame Tag Board



| Ref # | Part Number | Qty | Description |
|-------|-----------------|-----|-------------------------|
| - | OK58-01376-0000 | 2 | Anti-Scuff Pad |
| - | 0017-00009-0901 | 1 | Tinsel Extension Spring |
| - | OK58-01102-0001 | 1 | Anti-Static Tinsel |
| - | B084-92187-D000 | 1 | Frame Tag PCB |

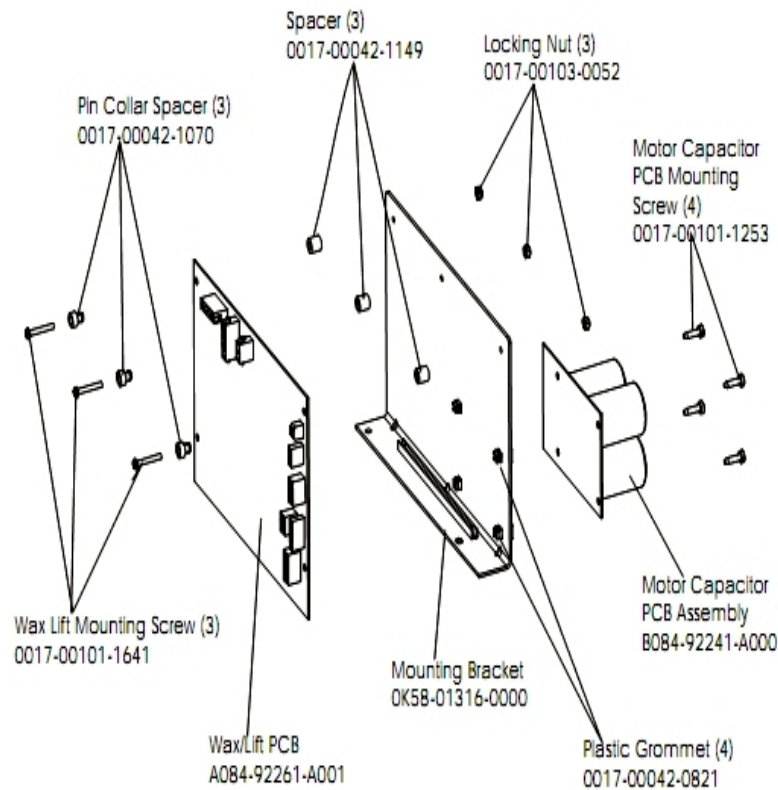
Uprights, Handrails and Ergo Bar



| Ref # | Part Number | Qty | Description |
|-------|-----------------|-----|-----------------------------------|
| - | 0017-00101-1773 | 6 | Hardware: TORX Screw 0.5" |
| - | AK58-00041-0000 | 1 | Heartrate Sensor Cable |
| - | OK58-01396-0000 | 2 | Endcap |
| - | OK58-01303-0002 | 1 | Top Left Handrail Boot |
| - | OK58-01304-0001 | 1 | Bottom Right Handrail Boot |
| - | OK58-01304-0002 | 1 | Bottom Left Handrail Boot |
| - | AK58-00219-0000 | 1 | Ergo Bar with Heart Rate Sensors |
| - | 0017-00101-1772 | 6 | Hardware: Phillips Pan Screw 0.5" |
| - | OK58-01303-0001 | 1 | Top Right Handrail Boot |
| - | OK58-01347-0000 | 2 | ErgoBar Gasket |
| - | 0017-00042-0326 | 2 | Hardware: Plastic Grommet |
| - | OK58-01302-0103 | 2 | Cap: Upright Tube; Arctic Silver |
| - | OK58-01305-0002 | 4 | Upright Plug |
| - | AK58-00032-0000 | 1 | User Proximity Sensor Cable |
| - | AK58-00256-0001 | 2 | Handrail |
| - | AK58-00311-0004 | 1 | Upright: Left |
| - | 0017-00101-1778 | 6 | Hardware: Hex Bolt 1" |
| - | AK58-00310-0003 | 1 | Upright: Right |
| - | OK58-01267-0000 | 2 | End Cap |
| - | 0017-00104-0325 | 6 | Hardware: Washer 0.873" OD |
| - | 0017-00101-1774 | 4 | Hardware: TORX Screw 2.5" |

| Ref # | Part Number | Qty | Description |
|-------|-----------------|-----|-----------------------------------|
| - | 0017-00101-1780 | 8 | Hardware: Mounting Screws |
| - | 0017-00101-1770 | 6 | Hardware: Phillips Pan Screw 0.5" |

Wax/Lift Assembly



| Ref # | Part Number | Qty | Description |
|-------|-----------------|-----|------------------------------|
| - | 0017-00101-1253 | 4 | Hardware: Screw |
| - | 0017-00101-1641 | 3 | Hardware: Phillips Pan Screw |
| - | A084-92261-A001 | 1 | Wax/Lift PCB |
| - | 0017-00042-0821 | 4 | Hardware: Plastic Grommet |
| - | 0017-00042-1070 | 3 | Pin Collar Spacer |
| - | AK58-00243-0000 | 1 | Wax/Lift Assembly |
| - | 0017-00042-1149 | 3 | Spacer |
| - | 0K58-01316-0000 | 1 | Mounting Bracket |
| - | 0017-00103-0052 | 3 | Hardware: Locking Nut ID |
| - | B084-92241-A000 | 1 | Motor Capacitor PCB Assembly |

