

97Ti Treadmill - 4HP AC - Lifepulse - Decline

97T-0130-05

Parts Manual

1/5/2019 11:49:16 AM

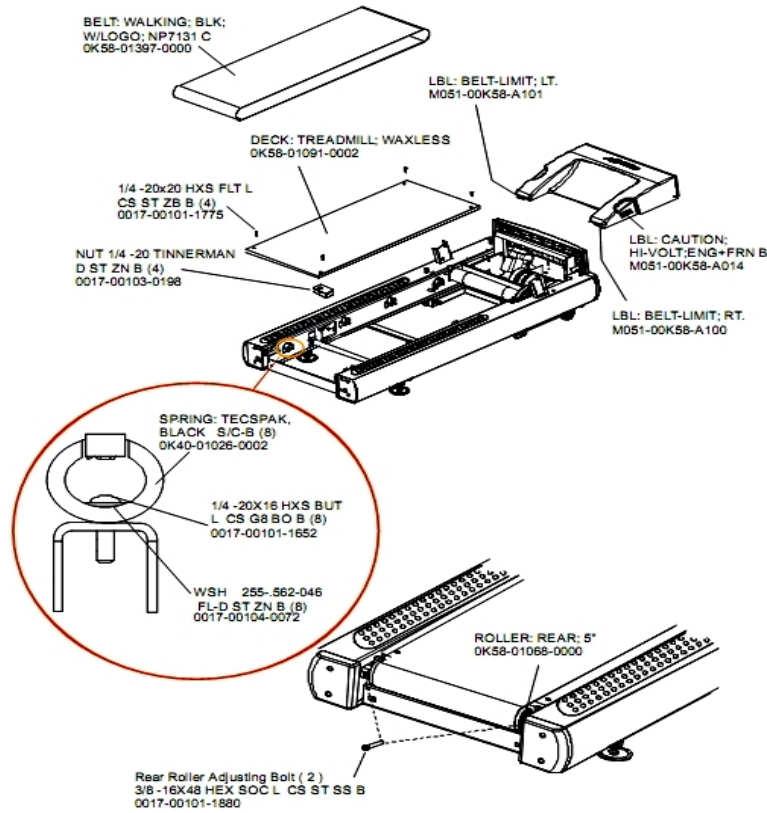


LifeFitness
WHAT WE LIVE FOR

Table of Contents

Belt, Deck, and Rear Roller.....	3
Cables.....	4
Console Components.....	5
Console Overlay.....	6
Drive Motor Assembly.....	7
Ergo Bar and Heart Rate Sensors.....	8
Front Roller Assembly.....	9
Idler Arm Assembly.....	10
Leg Leveler Assembly.....	11
Lift Frame and Receptacle Assembly.....	12
Lift Motor Assembly.....	13
Line Cords and Line Cord Options.....	14
Motor Cover, Front Cover and End Caps.....	15
On/Off Switch, Access Plate and Grommets.....	16
Rear End Caps and Cup Holders.....	17
References.....	18
Scuff Pad and Tinsel.....	20
Uprights and Handrails.....	21

Belt, Deck, and Rear Roller

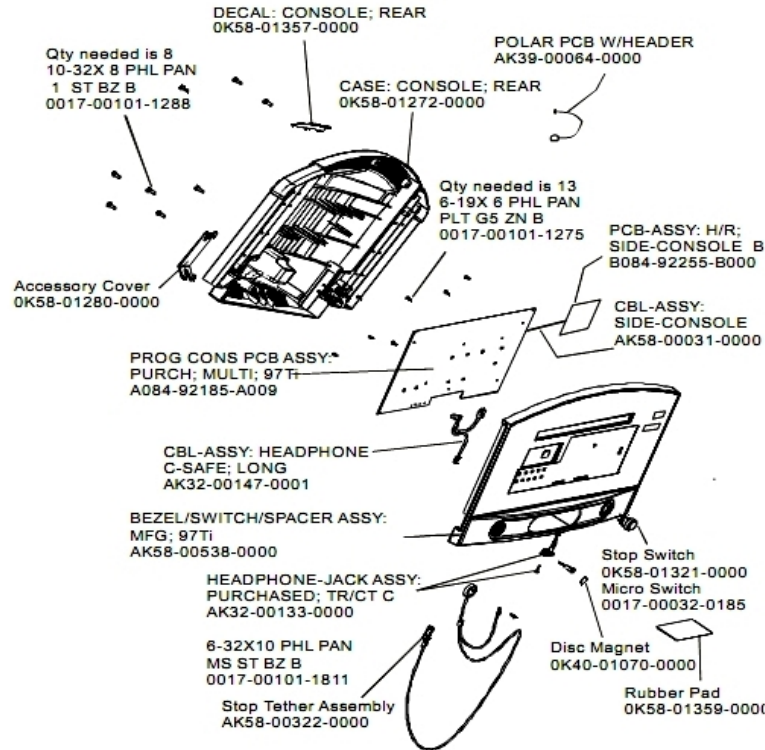


Ref #	Part Number	Qty	Description
-	0017-00101-1775	4	Hardware: Deck Screws 1.25"
-	OK40-01026-0002	8	Deck Spring
-	OK58-01397-0000	1	Striding Belt
-	OK65-01263-0000	1	Deck
-	OK58-01068-0000	1	Rear Roller - 5"
-	0017-00104-0072	8	Hardware: Flat Washer 0.562" OD
-	0017-00101-1652	8	Hardware: Spring Mounting Screw 1"
-	0017-00101-1880	1	Hardware: Tension Bolts 3"
-	0017-00103-0198	4	Hardware: Tinnerman Clip 1/4" ID

Cables

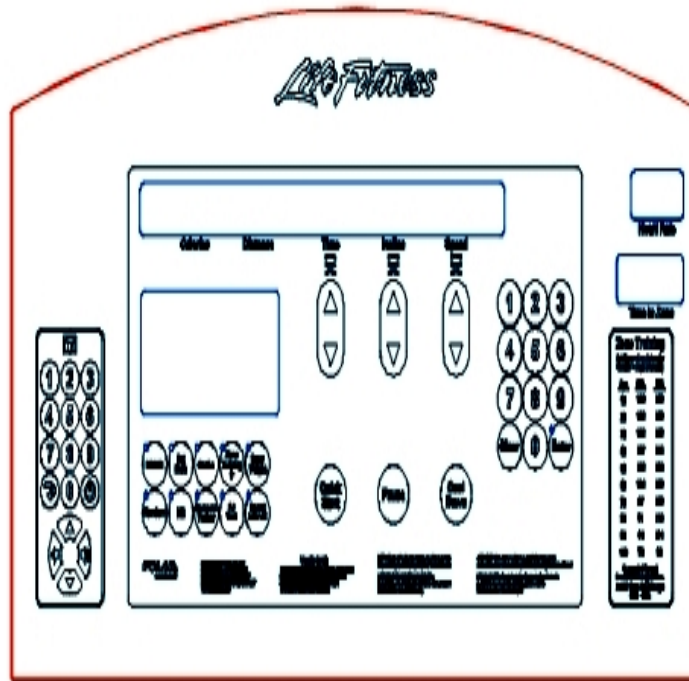
Ref #	Part Number	Qty	Description
-	AK58-00034-0001	1	Console Power Cable
-	AK58-00032-0000	1	User Proximity Sensor Cable
-	0017-00003-0898	1	10 amp Line Filter (INT)
-	AK60-00009-0001	1	Negative Switch Cable Assembly
-	AK58-00522-0000	1	Cable: Jumper; Power; LED Console
-	AK58-00237-0000	1	Cable-Assembly: Polar/E-Stop
-	AK58-00596-0001	1	Power Cable: 230-240V
-	AK58-00224-0001	1	Cable: MOV; Fliter
-	AK58-00036-0000	1	Cable-Assembly: Emergency-Stop Switch
-	0017-00003-0626	1	CIRCUIT-BREAKER:2A 200-240V
-	AK58-00210-0000	1	Transformer-Bracket Assembly
-	AK58-00082-0000	1	Jumper Cable Assembly: White - 6"
-	AK32-00078-0001	1	Power Extension Cable: 120"
-	AK32-00020-0002	1	Coax Cable: 120"
-	AK58-00263-0000	1	Hi-Pot Jumper Cable
-	AK58-00081-0000	1	Jumper Cable Assembly: Black - 4"
-	AK58-00027-0000	1	Limit Switch Cable
-	AK58-00031-0000	1	Side Console Cable Assembly
-	AK58-00041-0001	1	Heart Rate Sensor Cable
-	AK58-00083-0000	1	Cable Assembly

Console Components



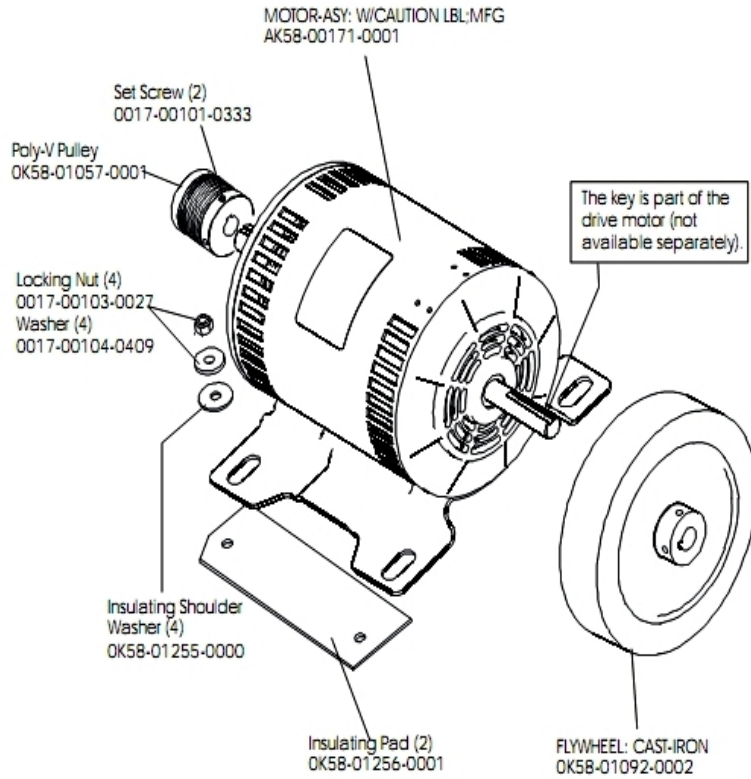
Ref #	Part Number	Qty	Description
-	AK32-00147-0001	1	Cable Headphone Assembly - C-Safe
-	OK58-01280-0000	1	Accessory Cover
-	0017-00032-0185	1	Micro Switch 150GR
-	118E-00001-0259	1	Wireless Receiver Module, Non-Coded
-	OK40-01070-0000	1	Magnetic Disk
-	OK58-01359-0000	1	Rubber Pad
-	AK58-00031-0000	1	Side Console Cable Assembly
-	AK32-00133-0000	1	Headphone Jack Assembly
-	AK58-00538-0000	1	Bezel Switch/Spacer
-	OK58-01321-0000	1	Stop Switch
-	B084-92255-B000	1	PCB Assembly
-	0017-00101-1811	1	Hardware: Phillips Pan Screw 0.625"
-	AK58-00322-0000	1	Tether Stop Assembly
-	A084-92185-A009	1	PCB Assembly
-	0017-00101-1275	13	Hardware: Phillips Screw 0.375"
-	0017-00101-1288	8	Hardware: Phillips Screw 0.5"
-	OK58-01357-0000	1	Decal
-	OK58-01272-0000	1	Rear Console Case

Console Overlay



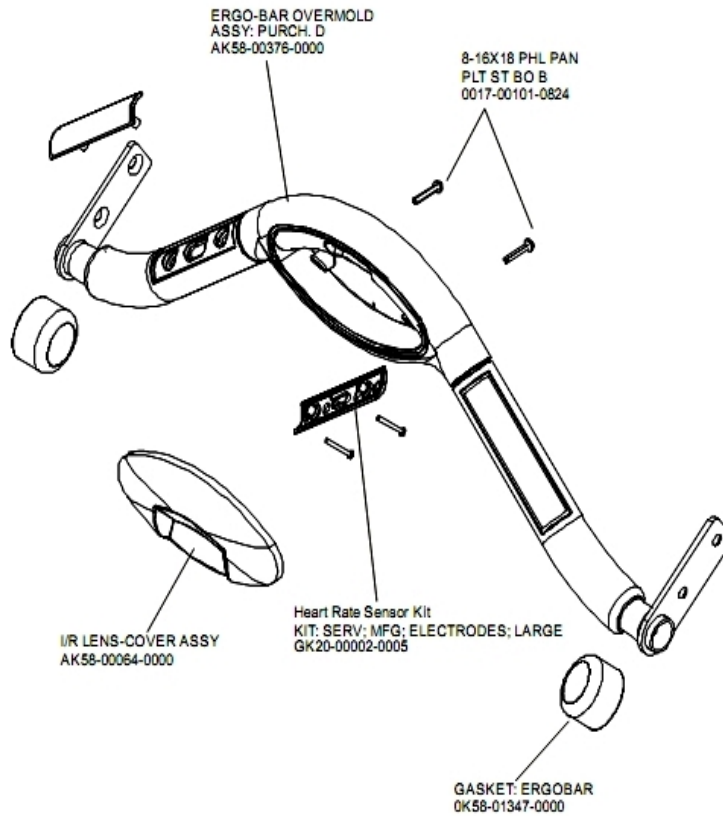
Ref #	Part Number	Qty	Description
-	AK58-00390-0002	1	Console: English/Metric
-	0K58-01296-0001	1	Overlay - English / Metric
-	AK58-00202-0002	1	Overlay Switch Bezel Assembly - English/Metric

Drive Motor Assembly



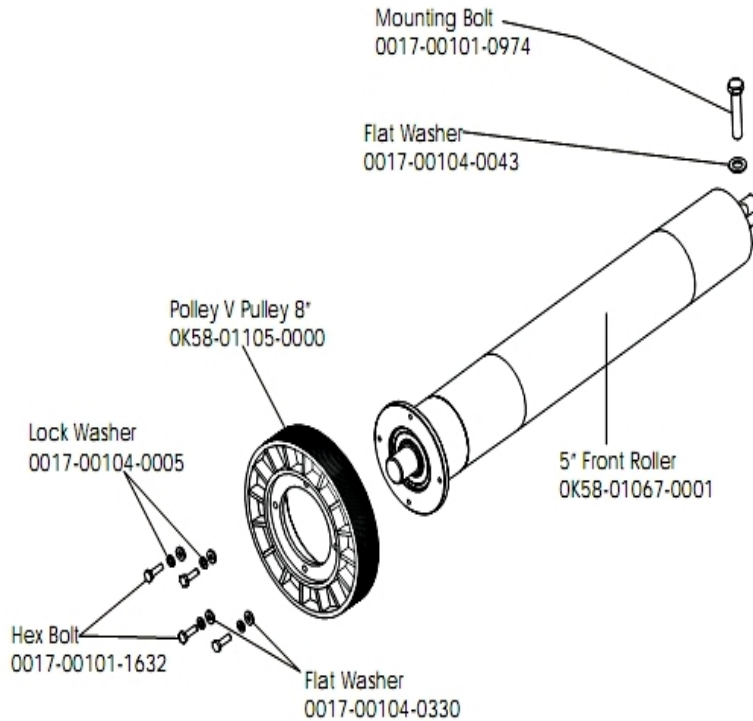
Ref #	Part Number	Qty	Description
-	AK58-00171-0001	1	Drive Motor Assembly
-	0017-00103-0027	4	Hardware: Locking Nut. 5/16" ID
-	OK58-01057-0001	1	Drive Pulley - 1.971"
-	0017-00104-0409	4	Hardware: Washer 1.125" OD
-	OK58-01255-0000	4	Hardware: Insulating Washers
-	0017-00101-0333	2	Hardware: Screw 0.3125"
-	OK58-01256-0001	2	Insulating Pad
-	OK58-01092-0002	1	Cast Iron Flywheel

Ergo Bar and Heart Rate Sensors



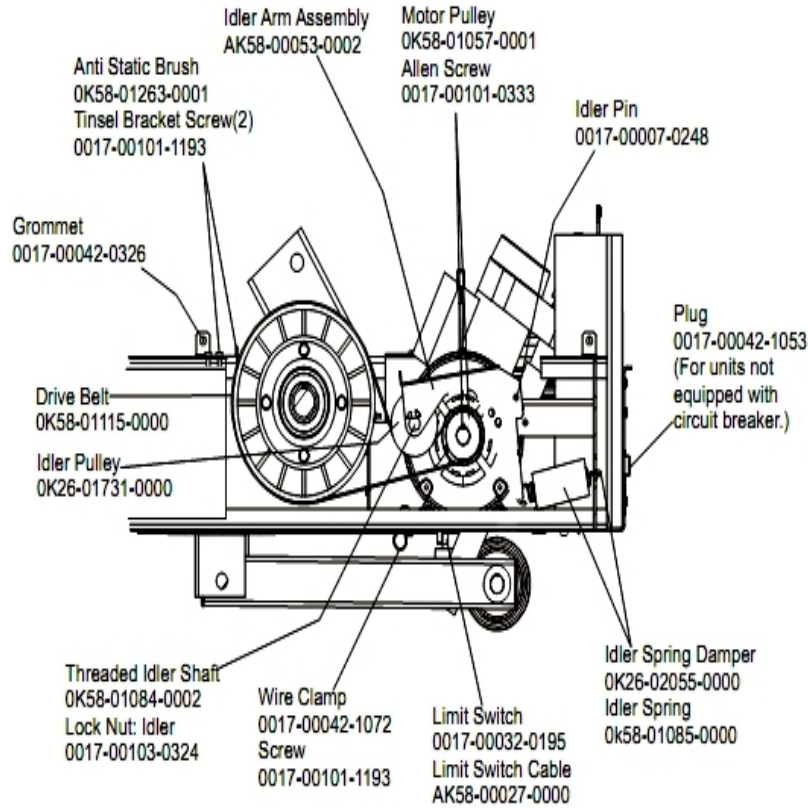
Ref #	Part Number	Qty	Description
-	AK58-00064-0000	1	I/R Lens Cover Assembly
-	AK58-00219-0000	1	Ergo Bar with Heart Rate Sensors
-	0017-00101-0824	1	Hardware: Screw 1.125"
-	OK58-01347-0000	1	ErgoBar Gasket
-	AK58-00376-0001	1	Ergo-Bar Overmold Assembly
-	GK20-00002-0005	2	Heart Rate Electrode Kit

Front Roller Assembly



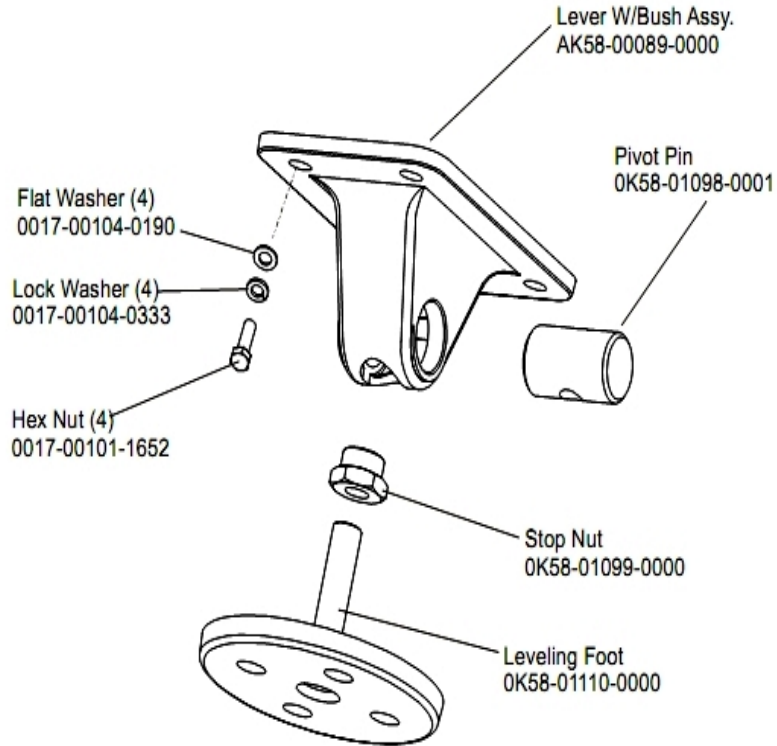
Ref #	Part Number	Qty	Description
-	0017-00101-0974	1	Hardware: Mounting Bolt 2"
-	0017-00101-1632	4	Hardware: Hex Bolt 0.875"
-	OK58-01105-0000	1	Drive Pulley Poly V - 8"
-	OK58-01067-0001	1	Front Roller - 5"
-	0017-00104-0005	4	Hardware: Lock Washer 0.489" OD
-	0017-00104-0330	4	Hardware: Flat Washers 0.562" OD
-	AK58-00067-0000	1	Front Roller Assembly
-	0017-00104-0043	1	Hardware: Flat Washer 0.734" OD

Idler Arm Assembly



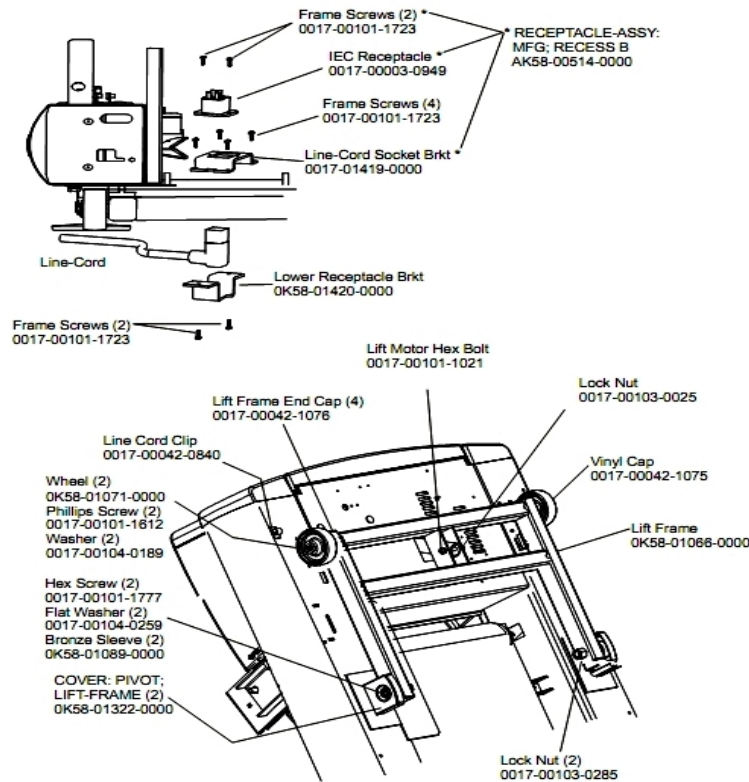
Ref #	Part Number	Qty	Description
-	0K58-01057-0001	1	Drive Pulley - 1.971"
-	GK58-00002-0129	1	KIT: TREADMILL BELT AND PULLEY
-	0017-00042-1053	1	Plug (For units not equipped with circuit breaker.)
-	0017-00103-0324	1	Hardware: Thin Lock Nut 3/8" ID
-	AK58-00027-0000	1	Limit Switch Cable
-	0K26-01731-0000	1	Plastic Idler 2 5/8" OD
-	0K26-02055-0000	1	Spring Damper
-	0017-00032-0195	1	Home Switch
-	0017-00042-1072	1	Hardware: Wire Clamp - 5/8"
-	0017-00007-0248	1	Hardware: Locking Pin .31" D 2.125" L
-	0017-00042-0326	1	Hardware: Plastic Grommet
-	0017-00101-1193	3	Hardware: Screw 0.375"
-	0K58-01084-0002	1	Threaded Shaft
-	0017-00101-0333	1	Hardware: Screw 0.3125"
-	AK58-00053-0002	1	Idler Arm Assembly
-	0K58-01085-0000	1	Extension Spring
-	0K58-01263-0001	1	Tinsel Bracket

Leg Leveler Assembly



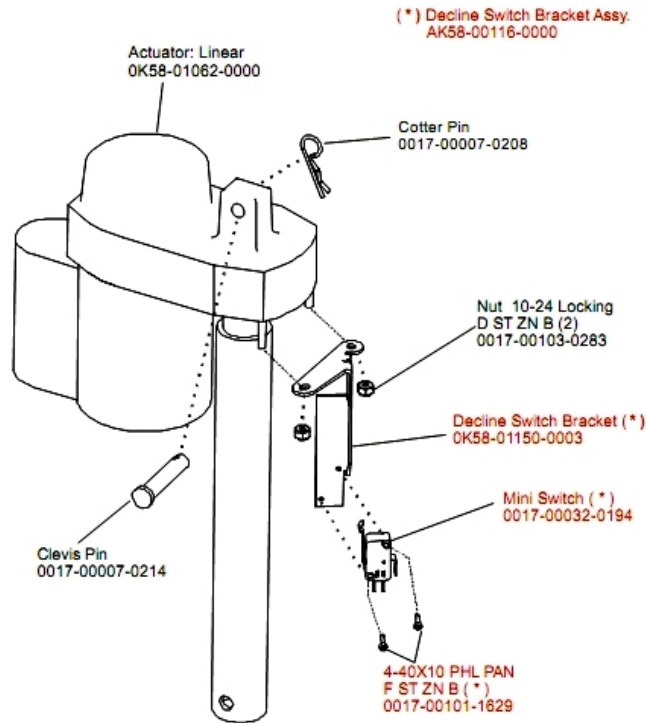
Ref #	Part Number	Qty	Description
-	OK58-01099-0000	2	Hardware: Stop Nut
-	AK58-00464-0000	2	Leveler Assembly
-	0017-00104-0333	8	Hardware: Washer 0.683" OD
-	0017-00104-0190	8	Hardware: Flat Washer 0.734" OD
-	0017-00101-1652	8	Hardware: Spring Mounting Screw 1"
-	OK58-01110-0000	2	Leveler Foot
-	AK58-00089-0000	2	Bracket Leveler
-	OK58-01098-0001	2	Hardware: Pivot Pin

Lift Frame and Receptacle Assembly



Ref #	Part Number	Qty	Description
-	0K58-01420-0000	1	Lower Receptacle Bracket
-	0K58-01089-0000	2	Bronze Sleeve Bushings
-	0017-00042-0840	1	Hardware: Push Mount Clip
-	0K58-01071-0000	2	Wheel
-	0017-00101-1612	2	Hardware: Phillips Screw 0.5"
-	0017-00042-1075	1	Vinyl Cap
-	0017-00003-0949	1	IEC Receptacle
-	0017-00104-0259	2	Hardware: Washer 1.331" OD
-	0017-00103-0025	1	Hardware: Locking Nut 3/8" ID
-	0017-00101-1021	1	Hardware: Lift Motor Hex Bolt 2.5"
-	AK58-00514-0000	1	Receptacle Assembly
-	0017-00101-1723	8	Hardware: Phillips Pan Screw 0.375"
-	0K58-01419-0000	1	Line Cord Socket Bracket
-	0017-00104-0189	2	Hardware: Flat Washer 1" OD
-	0017-00101-1777	2	Hardware: Lift Frame Mounting Bolt 2.75"
-	0017-00103-0285	2	Hardware: Nut 5/8" ID
-	0K58-01322-0000	2	Lift Frame Pivot Cover
-	0017-00042-1076	4	Lift Frame End Cap
-	AK58-00220-0000	1	LIFT-FRAME ASSY: MFG. C

Lift Motor Assembly

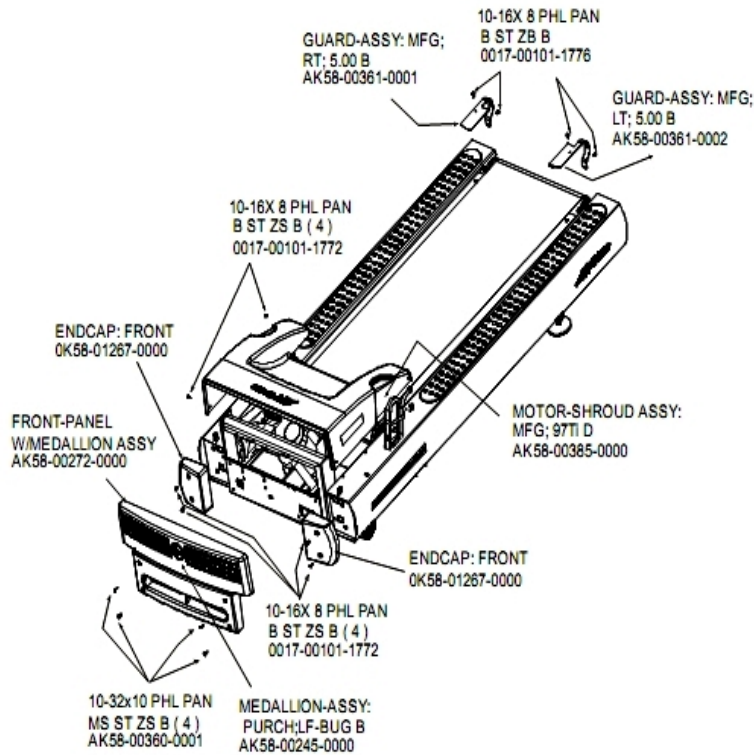


Ref #	Part Number	Qty	Description
-	0017-00032-0194	1	Mini Switch; SPDT
-	0K58-01150-0003	1	Decline Switch Bracket
-	0017-00007-0208	1	Hardware: Cotter Pin
-	AK58-00075-0000	1	Lift Motor Bracket Assembly
-	AK58-00116-0000	1	Switch Bracket Assembly
-	0017-00103-0283	2	Hardware: Locking Nut ID
-	0017-00007-0214	1	Hardware: Clevis Pin 3/8" D 1.75" L
-	0K58-01062-0000	1	Lift Motor - 120/60
-	0017-00101-1629	4	Hardware: Phillips Pan Screw 0.625"

Line Cords and Line Cord Options

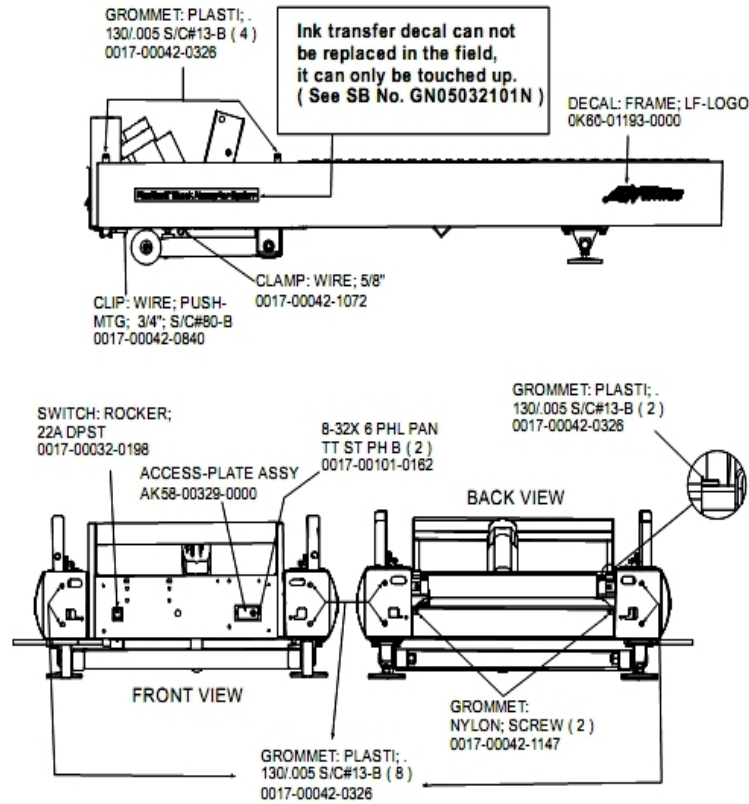
Ref #	Part Number	Qty	Description
-	0017-00003-0974	1	Line Cord: 120V: 8'
-	0017-00003-0947	1	Line Cord: 120V; 20A; 12'
-	0017-00003-0980	1	Line Cord: US Low Voltage 144"
-	0017-00003-0915	1	Line Cord RT Angle Plug

Motor Cover, Front Cover and End Caps



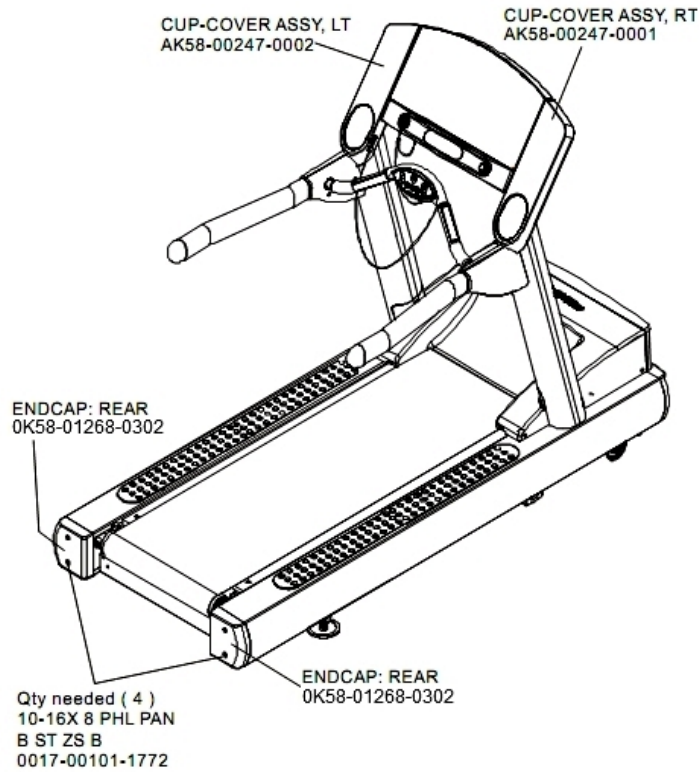
Ref #	Part Number	Qty	Description
-	AK58-00360-0001	1	Rear Roller Guard: Right
-	0017-00101-1772	2	Hardware: Phillips Pan Screw 0.5"
-	AK58-00245-0000	1	Bug Medallion
-	AK58-00385-0000	1	Motor Cover
-	0K58-01391-0002	1	Rear Roller Guard Left
-	0017-00101-1776	1	Hardware: Mounting Screw 0.5"
-	AK58-00272-0000	1	Front Panel with Medallion
-	0K58-01391-0001	1	Rear Roller Guard Right
-	0K58-01267-0000	2	End Cap

On/Off Switch, Access Plate and Grommets



Ref #	Part Number	Qty	Description
-	0017-00101-0162	1	Hardware: Screw 0.375"
-	AK58-00329-0000	1	Access Panel Assembly
-	0017-00042-0840	1	Hardware: Push Mount Clip
-	OK60-01193-0000	2	Decal: LF Logo
-	0017-00032-0198	1	On/Off Switch 22A
-	0017-00042-0326	3	Hardware: Plastic Grommet
-	0017-00042-1147	1	Hardware: Nylon Grommet
-	0017-00042-1072	1	Hardware: Wire Clamp - 5/8"

Rear End Caps and Cup Holders



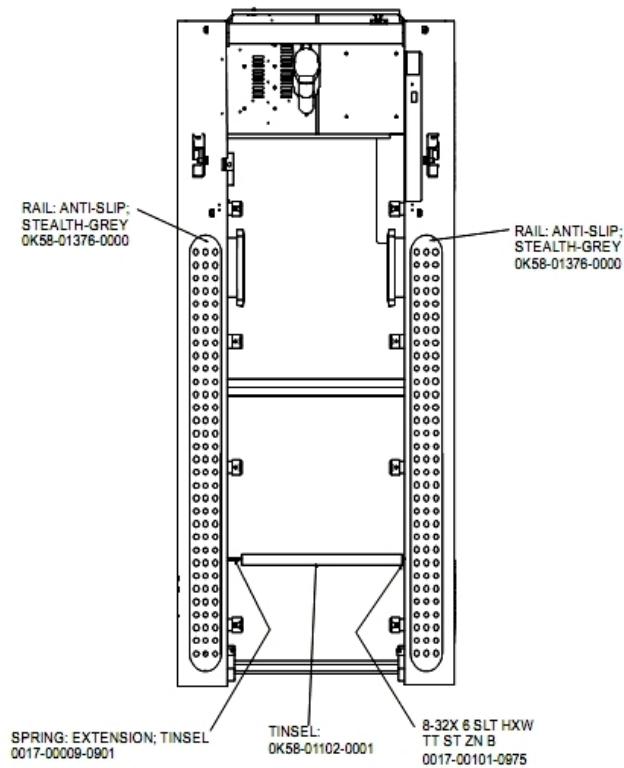
Ref #	Part Number	Qty	Description
-	0017-00101-1772	4	Hardware: Phillips Pan Screw 0.5"
-	AK58-00247-0001	1	Cup Holder Right
-	AK58-00247-0002	1	Cup Holder Left
-	0K58-01268-0302	2	ENDCAP: REAR; STEALTH D

References

Ref #	Part Number	Qty	Description
-	M051-00K58-B128	1	Service Instructions - Roller Guards
-	0017-00008-0204	1	Paint Spray Can - Arctic Silver
-	0017-00042-0840	5	Hardware: Push Mount Clip
-	0017-00101-1770	6	Hardware: Phillips Pan Screw 0.5"
-	0K58-01376-0000	2	Anti-Scuff Pad
-	0017-00101-1772	6	Hardware: Phillips Pan Screw 0.5"
-	0K58-01347-0000	2	ErgoBar Gasket
-	0017-00008-0206	1	.33oz Pen - Arctic Silver
-	0017-00042-0326	4	Hardware: Plastic Grommet
-	0017-00042-1147	2	Hardware: Nylon Grommet
-	0017-00103-0327	4	Hardware: Hex Nut 5/16" ID
-	0K58-01305-0002	2	Upright Plug
-	0017-00101-1778	4	Hardware: Hex Bolt 1"
-	0017-00008-0210	1	Paint: Shadow-Gray Touch Up: .6 OZ Bottle
-	0017-00101-1776	4	Hardware: Mounting Screw 0.5"
-	0017-00104-0325	4	Hardware: Washer 0.873" OD
-	GK58-00002-0096	1	Roller Guard kit
-	0017-00008-0211	1	Paint: Shadow-Gray Touch Up: .6 OZ Bottle
-	0017-00101-1774	4	Hardware: TORX Screw 2.5"
-	0017-00101-1780	8	Hardware: Mounting Screws
-	GK58-00002-0071	1	Anti-Slip Rail
-	0K58-01391-0001	1	Rear Roller Guard Right

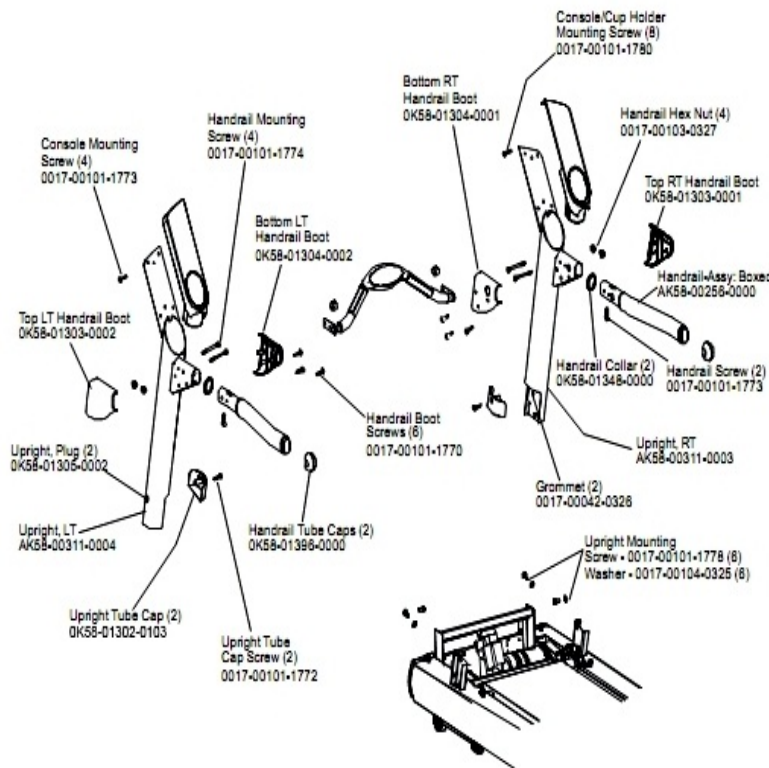
Ref #	Part Number	Qty	Description
-	0017-00008-0205	1	5 oz Bottle - Arctic Silver
-	AK58-00226-0000	1	Hardware Bag
-	0K58-01391-0002	1	Rear Roller Guard Left
-	0017-00009-1049	1	Torx Wrench
-	0017-00101-1773	6	Hardware: TORX Screw 0.5"

Scuff Pad and Tinsel



Ref #	Part Number	Qty	Description
-	0017-00101-0975	1	Hardware: Mounting Bolt 0.375"
-	0017-00009-0901	1	Tinsel Extension Spring
-	0K58-01102-0001	1	Anti-Static Tinsel
-	0K58-01376-0000	3	Anti-Scuff Pad

Uprights and Handrails



Ref #	Part Number	Qty	Description
-	0017-00101-1773	6	Hardware: TORX Screw 0.5"
-	0K58-01348-0000	2	Handrail Collar
-	0K58-01396-0000	2	Endcap
-	0K58-01303-0002	1	Top Left Handrail Boot
-	0K58-01304-0001	1	Bottom Right Handrail Boot
-	0K58-01304-0002	1	Bottom Left Handrail Boot
-	0017-00101-1772	2	Hardware: Phillips Pan Screw 0.5"
-	0K58-01303-0001	1	Top Right Handrail Boot
-	0017-00042-0326	2	Hardware: Plastic Grommet
-	0017-00103-0327	4	Hardware: Hex Nut 5/16" ID
-	0K58-01302-0103	2	Cap: Upright Tube; Arctic Silver
-	0K58-01305-0002	2	Upright Plug
-	AK58-00256-0001	1	Handrail
-	AK58-00311-0004	1	Upright: Left
-	0017-00101-1778	6	Hardware: Hex Bolt 1"
-	0017-00104-0325	6	Hardware: Washer 0.873" OD
-	0017-00101-1774	4	Hardware: TORX Screw 2.5"
-	0017-00101-1780	8	Hardware: Mounting Screws
-	AK58-00311-0003	1	Upright: Right
-	0017-00101-1770	6	Hardware: Phillips Pan Screw 0.5"

