

97TI Treadmill - Japanese/Metric 200/50 DOM

97T-0706-08

Parts Manual

1/5/2019 11:53:33 AM

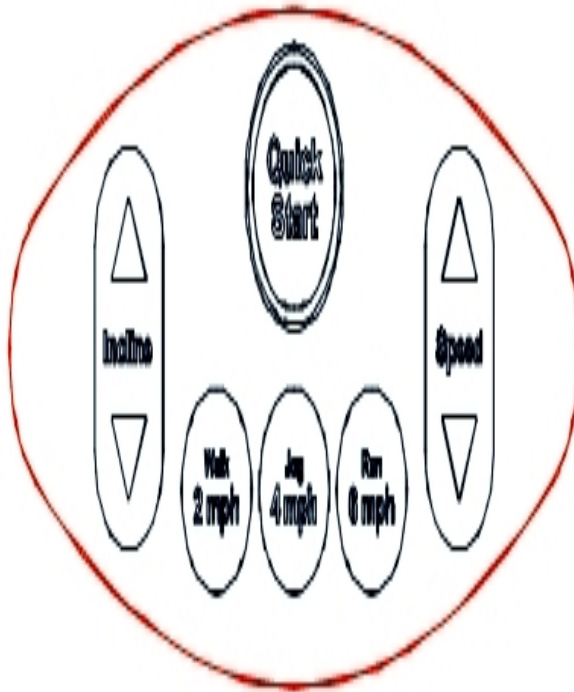


LifeFitness
WHAT WE LIVE FOR

Table of Contents

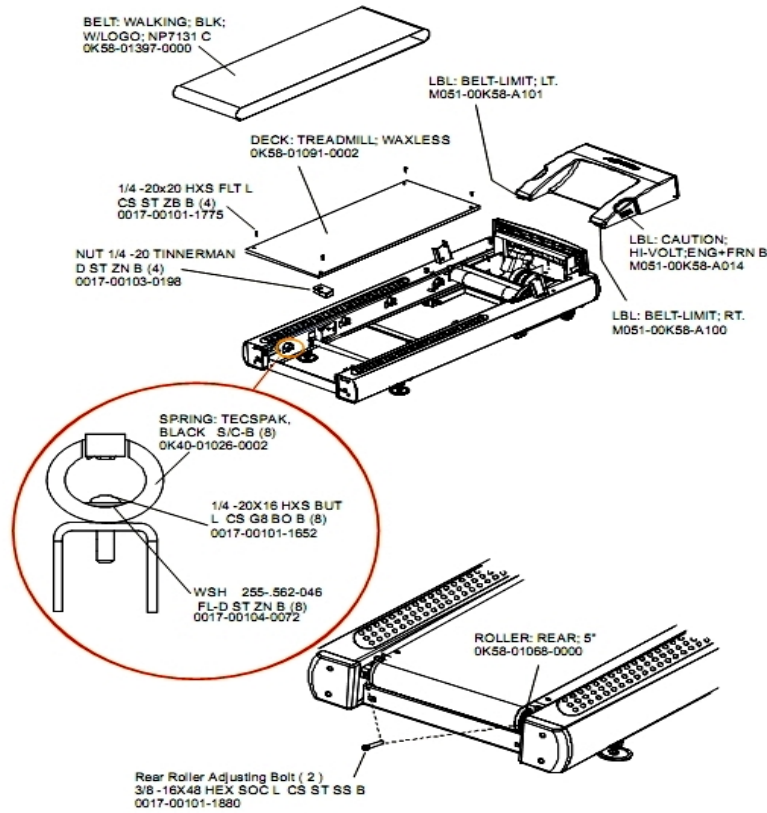
A-Z Module with Overlay Assembly	3
Belt, Deck, and Rear Roller	4
Cables	5
Console Components	7
Console, Overlay Assembly and Overlay	8
Drive Motor Assembly	9
DSP Controller Assembly	10
Ergo Bar, Heart Rate Sensors and Activity Zone	11
Front Roller Assembly	12
Idler Arm Assembly	13
Leg Leveler Assembly	14
Lift Frame and Receptacle Assembly	15
Lift Motor Assembly	16
Miscellaneous	17
Motor Cover, Front Cover and End Caps	19
On/Off Switch, Access Plate and Grommets	20
Optional Line Cords	21
Rear End Caps and Cup Holders	22
Scuff Pad and Tinsel	23
Stride Sensor Assembly and Stride Sensor	24
Uprights and Handrails	25

A-Z Module with Overlay Assembly



Ref #	Part Number	Qty	Description
-	AK58-00555-0006	1	Activity Zone Assembly: Japanese/Metric
-	0K58-01459-0006	1	Activity Zone Overlay English/Metric

Belt, Deck, and Rear Roller



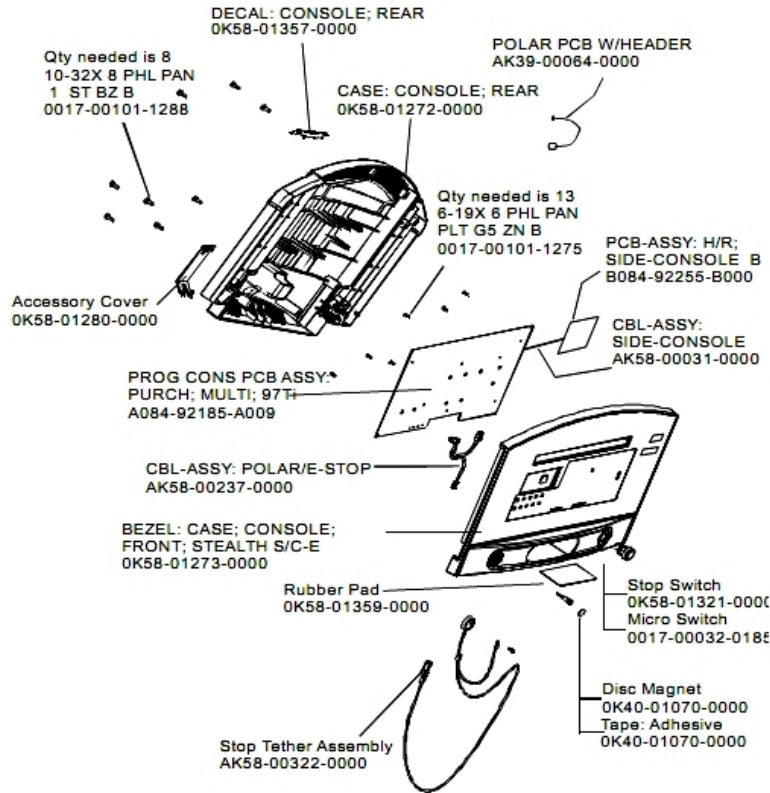
Ref #	Part Number	Qty	Description
-	0017-00101-1775	4	Hardware: Deck Screws 1.25"
-	OK40-01026-0002	8	Deck Spring
-	OK58-01397-0000	1	Striding Belt
-	OK65-01263-0000	1	Deck
-	0017-00103-0198	4	Hardware: Tinnerman Clip 1/4" ID
-	M051-00K58-A101	1	Belt Limit Label. Left
-	M051-00K58-A100	1	Label: Belt Limit: Right
-	0017-00101-1652	8	Hardware: Spring Mounting Screw 1"
-	0017-00101-1880	2	Hardware: Tension Bolts 3"
-	OK58-01068-0000	1	Rear Roller - 5"
-	M051-00K58-A014	1	Label: Caution
-	0017-00104-0072	8	Hardware: Flat Washer 0.562" OD

Cables

Ref #	Part Number	Qty	Description
-	AK58-00524-0000	1	Cable: Thermal Adapter
-	AK60-00009-0001	1	Negative Switch Cable Assembly
-	AK58-00082-0000	1	Jumper Cable Assembly: White - 6"
-	AK58-00597-0000	1	Cable Extension ISO Sensor
-	AK58-00083-0000	1	Cable Assembly
-	AK58-00034-0001	1	Console Power Cable
-	AK58-00596-0001	1	Power Cable: 230-240V
-	AK58-00224-0001	1	Cable: MOV; Fliter
-	AK58-00083-0001	1	Jumper Cable Assembly: Green/Yellow - 7"
-	AK58-00036-0000	1	Cable-Assembly: Emergency-Stop Switch
-	0017-00003-0626	1	CIRCUIT-BREAKER:2A 200-240V
-	AK58-00598-0000	1	Cable: ISO Power
-	AK58-00210-0000	1	Transformer-Bracket Assembly
-	AK58-00032-0000	1	User Proximity Sensor Cable
-	0017-00003-1015	1	20 amp Line Filter (DOM)
-	AK58-00027-0000	1	Limit Switch Cable
-	AK58-00081-0000	1	Jumper Cable Assembly: Black - 4"
-	AK58-00263-0000	1	Hi-Pot Jumper Cable
-	AK32-00020-0002	1	Coax Cable: 120"
-	AK58-00522-0000	1	Cable: Jumper; Power; LED Console
-	AK32-00078-0001	1	Power Extension Cable: 120"
-	AK58-00031-0000	1	Side Console Cable Assembly

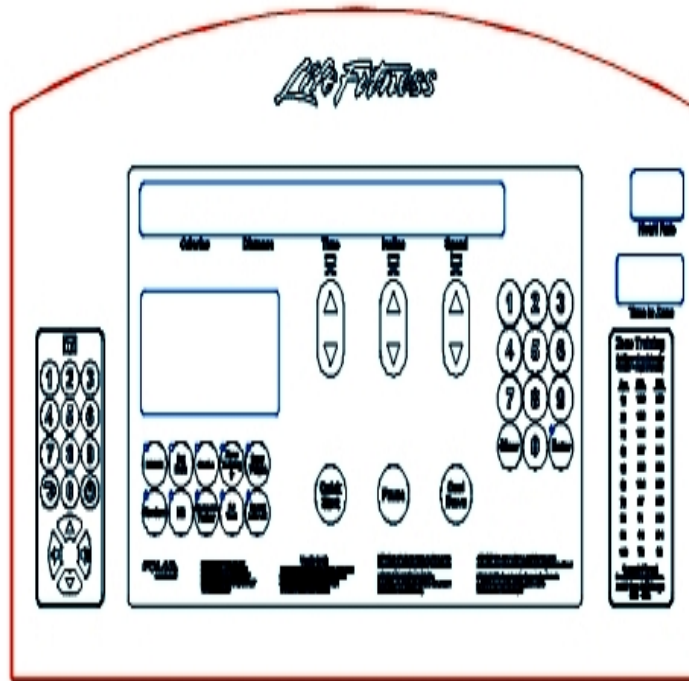
Ref #	Part Number	Qty	Description
-	AK58-00041-0001	1	Heart Rate Sensor Cable
-	AK58-00237-0000	1	Cable-Assembly: Polar/E-Stop

Console Components



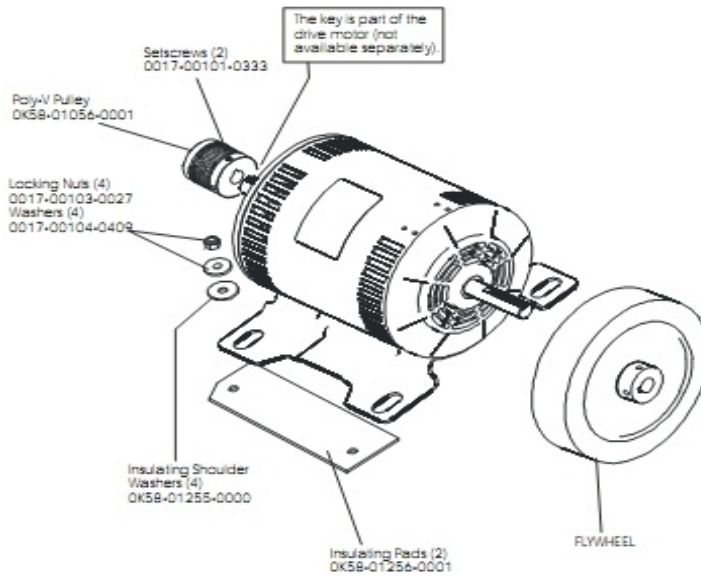
Ref #	Part Number	Qty	Description
-	118E-00001-0259	1	Wireless Receiver Module, Non-Coded
-	B084-92255-B000	1	PCB Assembly
-	OK40-01070-0000	2	Magnetic Disk
-	OK58-01321-0000	1	Stop Switch
-	OK58-01357-0000	1	Decal
-	0017-00101-1288	8	Hardware: Phillips Screw 0.5"
-	0017-00101-1275	13	Hardware: Phillips Screw 0.375"
-	A084-92185-A009	1	PCB Assembly
-	OK58-01272-0000	1	Rear Console Case
-	OK58-01359-0000	1	Rubber Pad
-	OK58-01273-0000	1	Front Console Case
-	AK58-00237-0000	1	Cable-Assembly: Polar/E-Stop
-	AK58-00031-0000	1	Side Console Cable Assembly
-	AK58-00322-0000	1	Tether Stop Assembly
-	OK58-01280-0000	1	Accessory Cover
-	0017-00032-0185	1	Micro Switch 150GR

Console, Overlay Assembly and Overlay



Ref #	Part Number	Qty	Description
-	AK58-00582-0006	1	Console: Japanese/Metric
-	OK58-01296-0006	1	Overlay - Japanese
-	AK58-00202-0006	1	Overlay Switch Bezel Assembly - Japanese

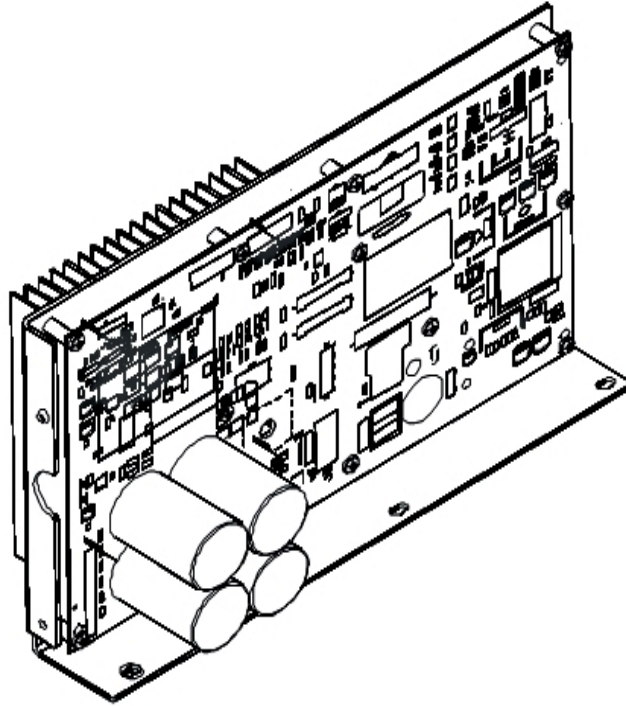
Drive Motor Assembly



Description	Part Nos.	
	S/N TST100000—TST100343	S/N TST100344 and up
Drive Motor Assembly	AK58-00171-0001 (dual cable)	AK58-00171-0002 (tapered shaft)
Cast Iron Flywheel	OK58-01092-0002	OK58-01092-0004
Drive Motor Setscrews/Bolt	0017-00101-0975 (uses setscrews)	0017-00101-1885 (uses bolt)

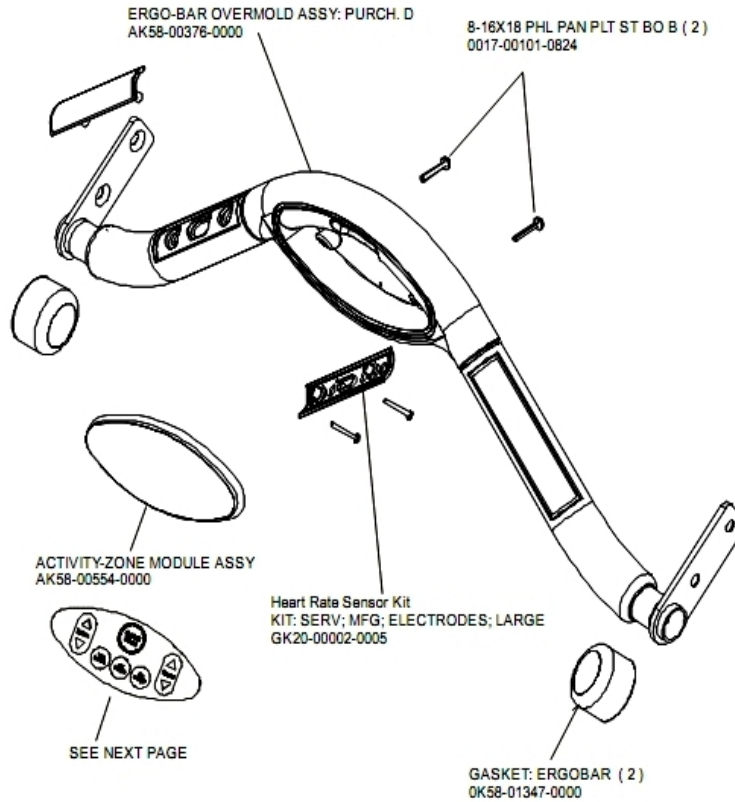
Ref #	Part Number	Qty	Description
-	0017-00101-1885	1	Hardware: Hex Bolt 1"
-	OK58-01255-0000	4	Hardware: Insulating Washers
-	OK58-01092-0004	1	Cast Iron Flywheel
-	OK58-01386-0004	1	MOTOR: MAIN DRIVE, 230V/50HZ, W/TAPER
-	0017-00101-0333	2	Hardware: Screw 0.3125"
-	OK58-01256-0001	2	Insulating Pad
-	OK58-01092-0002	1	Cast Iron Flywheel
-	0017-00103-0027	4	Hardware: Locking Nut. 5/16" ID
-	0017-00104-0409	4	Hardware: Washer 1.125" OD
-	AK58-00171-0001	1	Drive Motor Assembly
-	0017-00101-0975	1	Hardware: Mounting Bolt 0.375"

DSP Controller Assembly



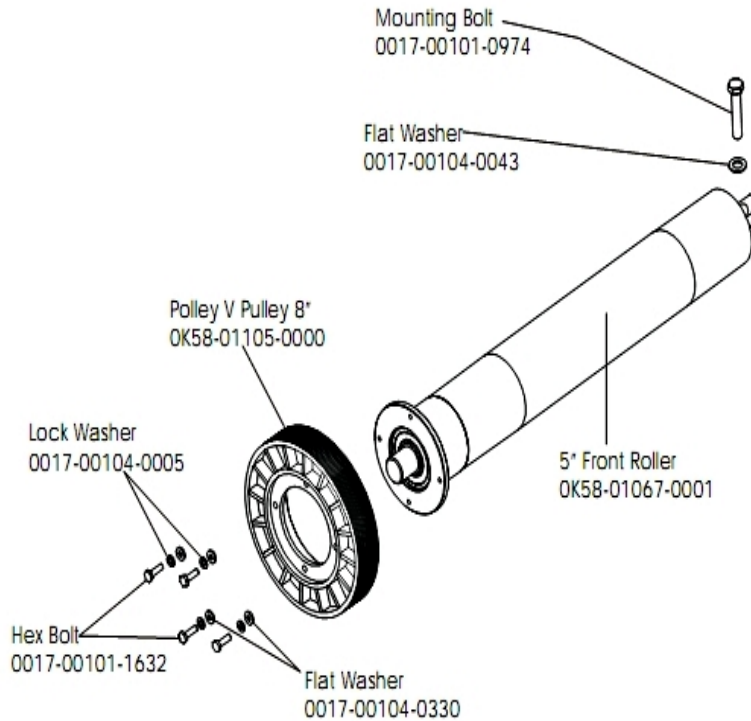
Ref #	Part Number	Qty	Description
-	GK58-00002-0120	1	Display Controller 200-240; LED
-	GK58-00002-0120	1	Display Controller 200-240; LED
-	GK58-00002-0120	1	Display Controller 200-240; LED
-	GK58-00002-0120	1	Display Controller 200-240; LED

Ergo Bar, Heart Rate Sensors and Activity Zone



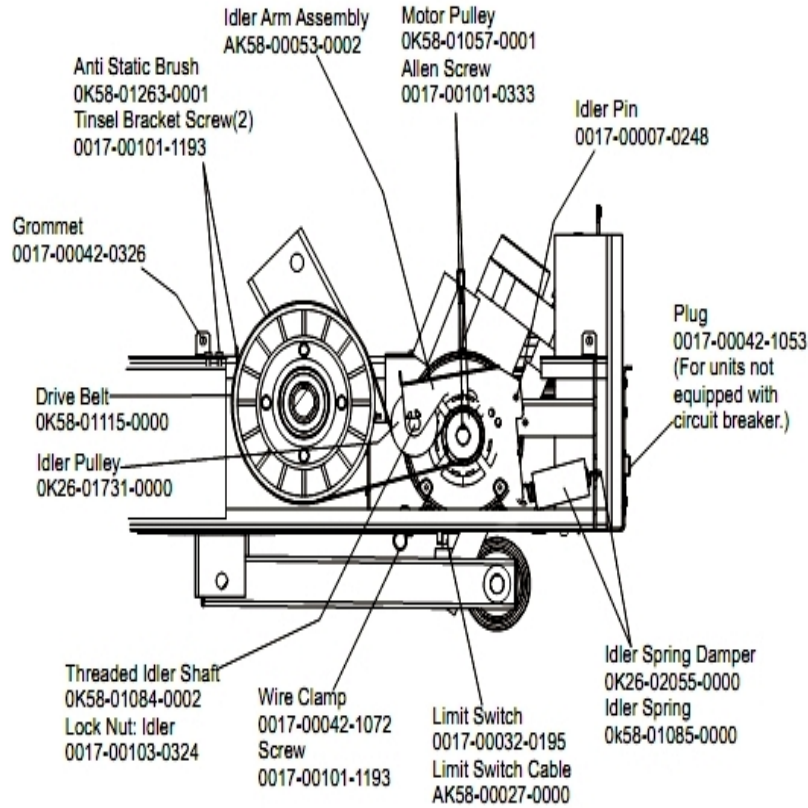
Ref #	Part Number	Qty	Description
-	AK58-00554-0201	1	Activity-Zone Module Assembly: Purchased; Generic Shadow Grey
-	GK20-00002-0005	2	Heart Rate Electrode Kit
-	0017-00101-0824	2	Hardware: Screw 1.125"
-	OK58-01347-0000	2	ErgoBar Gasket
-	AK58-00376-0001	1	Ergo-Bar Overmold Assembly

Front Roller Assembly



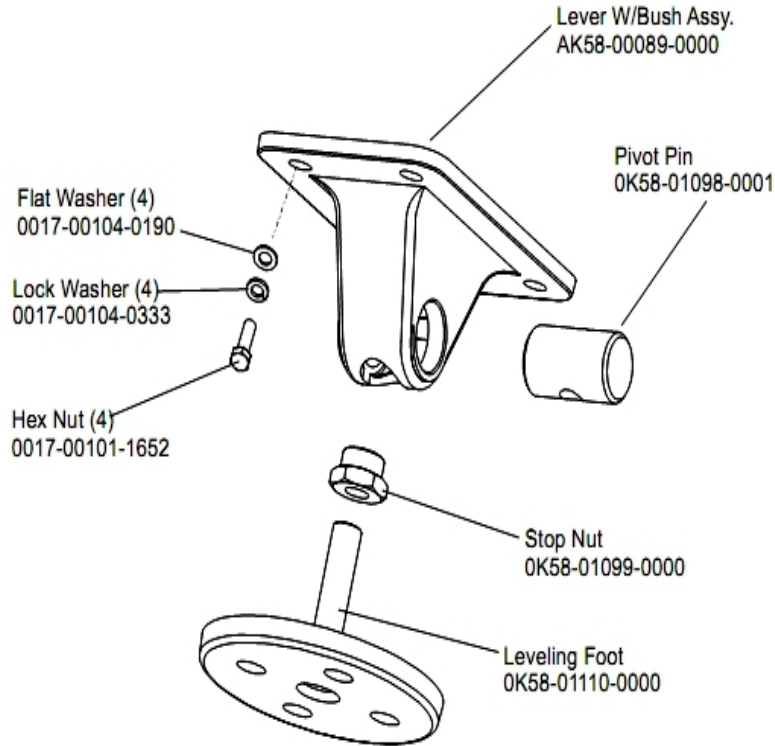
Ref #	Part Number	Qty	Description
-	0017-00101-0974	1	Hardware: Mounting Bolt 2"
-	0017-00101-1632	4	Hardware: Hex Bolt 0.875"
-	OK58-01105-0000	1	Drive Pulley Poly V - 8"
-	OK58-01067-0001	1	Front Roller - 5"
-	0017-00104-0005	4	Hardware: Lock Washer 0.489" OD
-	0017-00104-0330	4	Hardware: Flat Washers 0.562" OD
-	AK58-00067-0000	1	Front Roller Assembly
-	0017-00104-0043	1	Hardware: Flat Washer 0.734" OD

Idler Arm Assembly



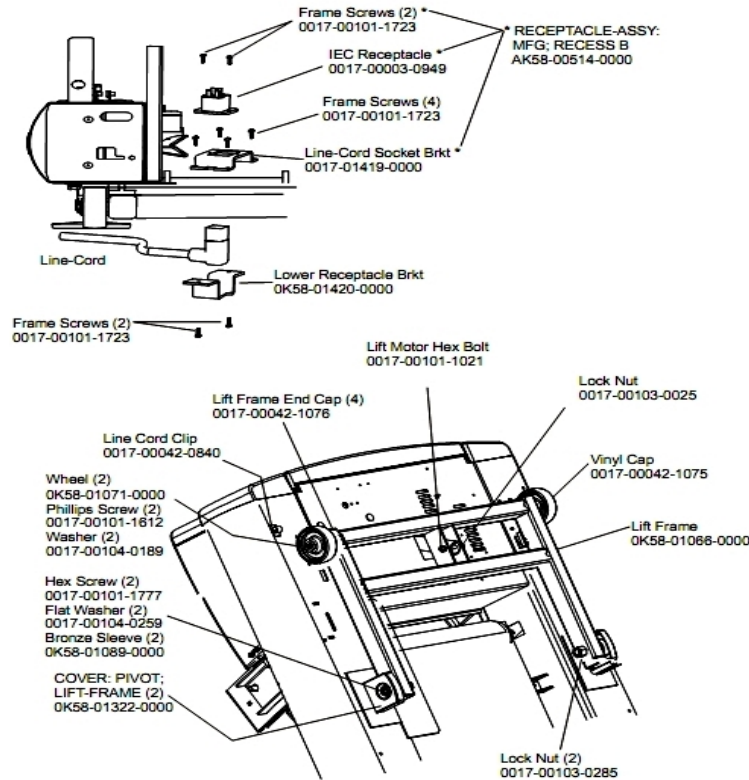
Ref #	Part Number	Qty	Description
-	OK58-01057-0001	1	Drive Pulley - 1.971"
-	GK58-00002-0129	1	KIT: TREADMILL BELT AND PULLEY
-	0017-00042-1053	1	Plug (For units not equipped with circuit breaker.)
-	0017-00103-0324	1	Hardware: Thin Lock Nut 3/8" ID
-	AK58-00027-0000	1	Limit Switch Cable
-	OK26-01731-0000	1	Plastic Idler 2 5/8" OD
-	OK26-02055-0000	1	Spring Damper
-	0017-00032-0195	1	Home Switch
-	0017-00042-1072	1	Hardware: Wire Clamp - 5/8"
-	0017-00007-0248	1	Hardware: Locking Pin .31" D 2.125" L
-	0017-00042-0326	1	Hardware: Plastic Grommet
-	0017-00101-1193	3	Hardware: Screw 0.375"
-	OK58-01084-0002	1	Threaded Shaft
-	0017-00101-0333	1	Hardware: Screw 0.3125"
-	AK58-00053-0002	1	Idler Arm Assembly
-	OK58-01085-0000	1	Extension Spring
-	OK58-01263-0001	1	Tinsel Bracket

Leg Leveler Assembly



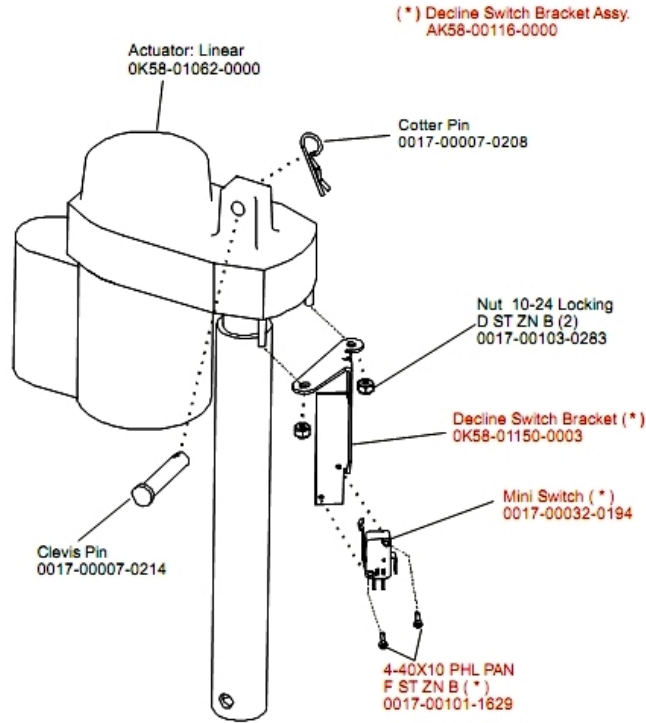
Ref #	Part Number	Qty	Description
-	OK58-01098-0001	2	Hardware: Pivot Pin
-	0017-00104-0333	8	Hardware: Washer 0.683" OD
-	AK58-00464-0000	2	Leveler Assembly
-	AK58-00089-0000	2	Bracket Leveler
-	OK58-01099-0000	2	Hardware: Stop Nut
-	0017-00101-1652	8	Hardware: Spring Mounting Screw 1"
-	0017-00104-0190	8	Hardware: Flat Washer 0.734" OD
-	OK58-01110-0000	2	Leveler Foot

Lift Frame and Receptacle Assembly



Ref #	Part Number	Qty	Description
-	0017-00042-1076	4	Lift Frame End Cap
-	AK58-00220-0000	1	LIFT-FRAME ASSY: MFG. C
-	0K58-01420-0000	1	Lower Receptacle Bracket
-	0K58-01089-0000	2	Bronze Sleeve Bushings
-	0017-00042-0840	1	Hardware: Push Mount Clip
-	0K58-01071-0000	2	Wheel
-	0017-00042-1075	1	Vinyl Cap
-	0017-00101-1612	2	Hardware: Phillips Screw 0.5"
-	0017-00003-0949	1	IEC Receptacle
-	0017-00104-0259	2	Hardware: Washer 1.331" OD
-	0017-00103-0025	1	Hardware: Locking Nut 3/8" ID
-	0017-00101-1021	1	Hardware: Lift Motor Hex Bolt 2.5"
-	AK58-00514-0000	1	Receptacle Assembly
-	0017-00101-1723	8	Hardware: Phillips Pan Screw 0.375"
-	0K58-01419-0000	1	Line Cord Socket Bracket
-	0K58-01322-0000	2	Lift Frame Pivot Cover
-	0017-00103-0285	4	Hardware: Nut 5/8" ID
-	0017-00101-1777	2	Hardware: Lift Frame Mounting Bolt 2.75"
-	0017-00104-0189	2	Hardware: Flat Washer 1" OD

Lift Motor Assembly



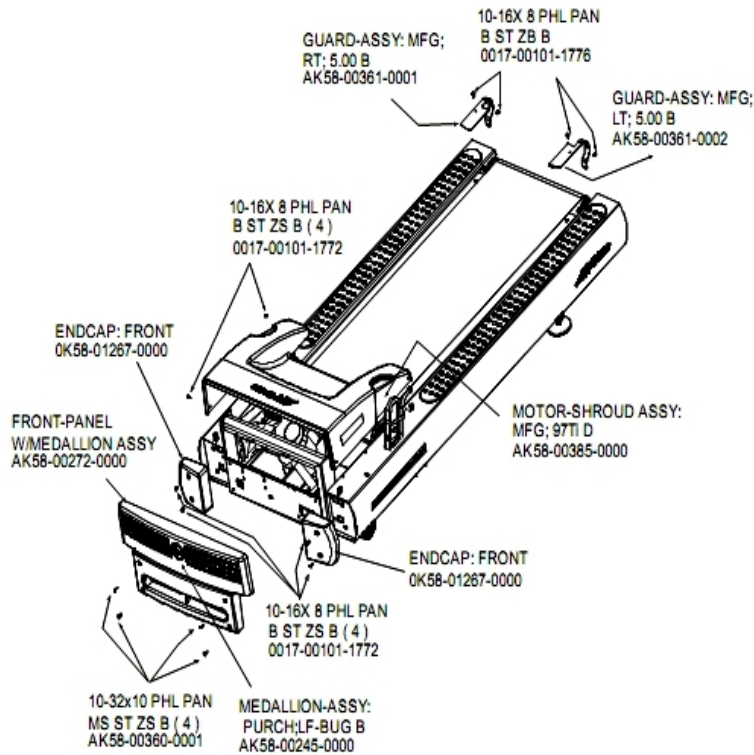
Ref #	Part Number	Qty	Description
-	0017-00032-0194	1	Mini Switch; SPDT
-	0017-00103-0283	2	Hardware: Locking Nut ID
-	OK58-01150-0003	1	Decline Switch Bracket
-	0017-00007-0214	1	Hardware: Clevis Pin 3/8" D 1.75" L
-	AK58-00116-0000	1	Switch Bracket Assembly
-	0017-00101-1629	4	Hardware: Phillips Pan Screw 0.625"
-	0017-00007-0208	1	Hardware: Cotter Pin
-	OK58-01062-0000	1	Lift Motor - 120/60

Miscellaneous

Ref #	Part Number	Qty	Description
-	0017-00009-1049	1	Torx Wrench
-	0K58-01391-0002	1	Rear Roller Guard Left
-	AK58-00226-0000	1	Hardware Bag
-	0017-00101-1773	6	Hardware: TORX Screw 0.5"
-	0K58-01391-0001	1	Rear Roller Guard Right
-	0017-00101-1780	8	Hardware: Mounting Screws
-	0017-00101-1774	4	Hardware: TORX Screw 2.5"
-	0017-00008-0211	1	Paint: Shadow-Gray Touch Up: .6 OZ Bottle
-	GK58-00002-0096	1	Roller Guard kit
-	0017-00104-0325	4	Hardware: Washer 0.873" OD
-	0017-00101-1776	4	Hardware: Mounting Screw 0.5"
-	0017-00008-0210	1	Paint: Shadow-Gray Touch Up: .6 OZ Bottle
-	0017-00008-0205	1	5 oz Bottle - Arctic Silver
-	M051-00K58-B128	1	Service Instructions - Roller Guards
-	0017-00008-0204	1	Paint Spray Can - Arctic Silver
-	0017-00042-0840	5	Hardware: Push Mount Clip
-	0017-00101-1770	6	Hardware: Phillips Pan Screw 0.5"
-	0K58-01376-0000	2	Anti-Scuff Pad
-	0017-00101-1772	6	Hardware: Phillips Pan Screw 0.5"
-	0017-00008-0206	1	.33oz Pen - Arctic Silver
-	0017-00042-0326	4	Hardware: Plastic Grommet
-	0017-00042-1147	2	Hardware: Nylon Grommet

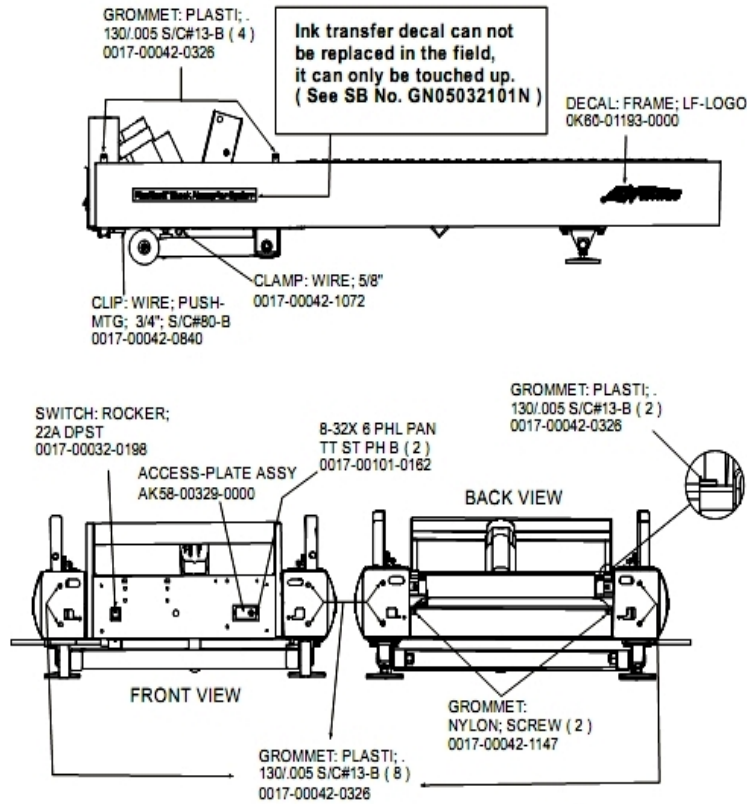
Ref #	Part Number	Qty	Description
-	0017-00103-0327	4	Hardware: Hex Nut 5/16" ID
-	0K58-01305-0002	2	Upright Plug
-	0K58-01347-0000	2	ErgoBar Gasket
-	0017-00101-1778	4	Hardware: Hex Bolt 1"

Motor Cover, Front Cover and End Caps



Ref #	Part Number	Qty	Description
-	AK58-00385-0000	1	Motor Cover
-	0017-00101-1772	2	Hardware: Phillips Pan Screw 0.5"
-	AK58-00272-0000	1	Front Panel with Medallion
-	0017-00101-1776	1	Hardware: Mounting Screw 0.5"
-	AK58-00360-0001	1	Rear Roller Guard: Right
-	0K58-01391-0002	1	Rear Roller Guard Left
-	0K58-01391-0001	1	Rear Roller Guard Right
-	AK58-00245-0000	1	Bug Medallion
-	0K58-01267-0000	1	End Cap

On/Off Switch, Access Plate and Grommets

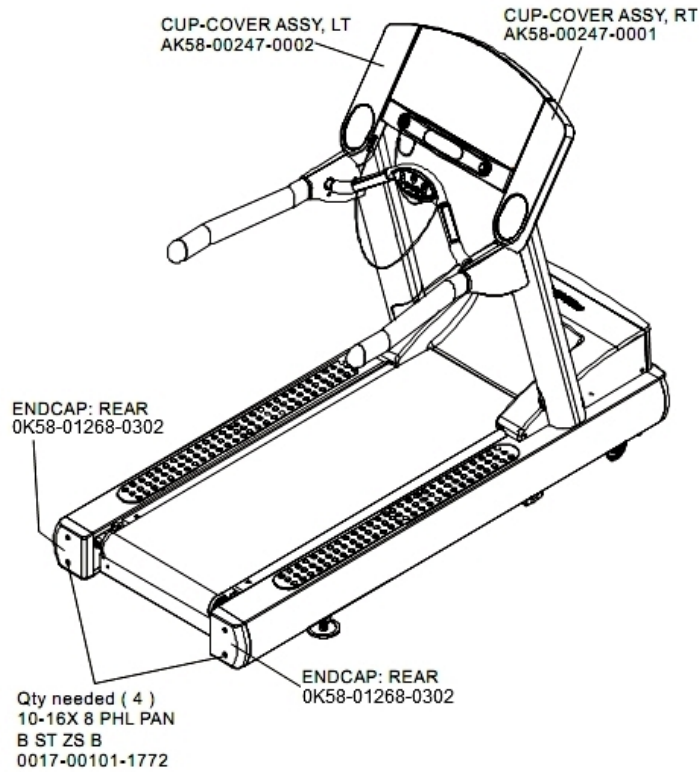


Ref #	Part Number	Qty	Description
-	0017-00101-0162	2	Hardware: Screw 0.375"
-	AK58-00329-0000	1	Access Panel Assembly
-	0017-00032-0198	1	On/Off Switch 22A
-	OK60-01193-0000	2	Decal: LF Logo
-	0017-00042-1147	2	Hardware: Nylon Grommet
-	0017-00042-0326	14	Hardware: Plastic Grommet
-	0017-00042-1072	1	Hardware: Wire Clamp - 5/8"
-	0017-00042-0840	1	Hardware: Push Mount Clip

Optional Line Cords

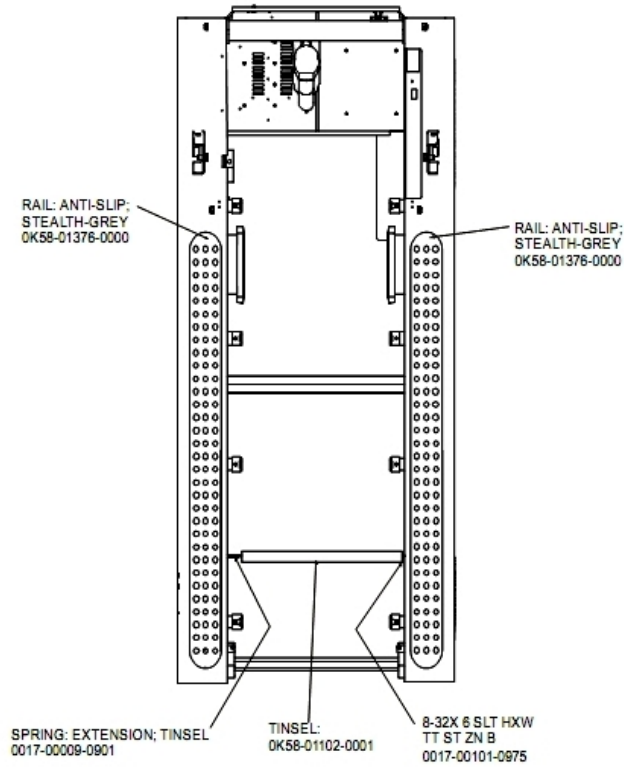
Ref #	Part Number	Qty	Description
-	0017-00003-0981	1	LINE-CORD: R/A; with PLUG 220/60 7.5'
-	0017-00003-0696	1	Line Cord: International High Voltage (Cont.) 103"
-	0017-00003-0948	1	12' 220v Line Cord
-	0017-00003-0781	1	Line Cord: US High Voltage
-	0017-00003-0980	1	Line Cord: US Low Voltage 144"

Rear End Caps and Cup Holders



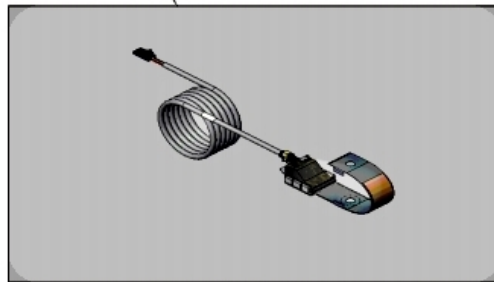
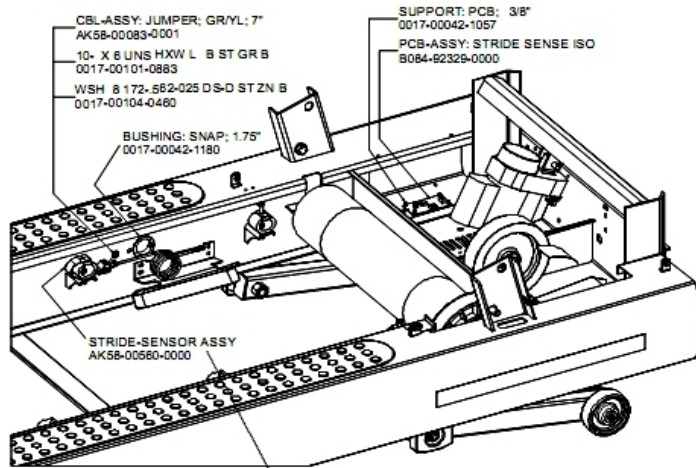
Ref #	Part Number	Qty	Description
-	OK58-01268-0302	2	ENDCAP: REAR; STEALTH D
-	AK58-00247-0002	1	Cup Holder Left
-	AK58-00247-0001	1	Cup Holder Right
-	0017-00101-1772	1	Hardware: Phillips Pan Screw 0.5"

Scuff Pad and Tinsel



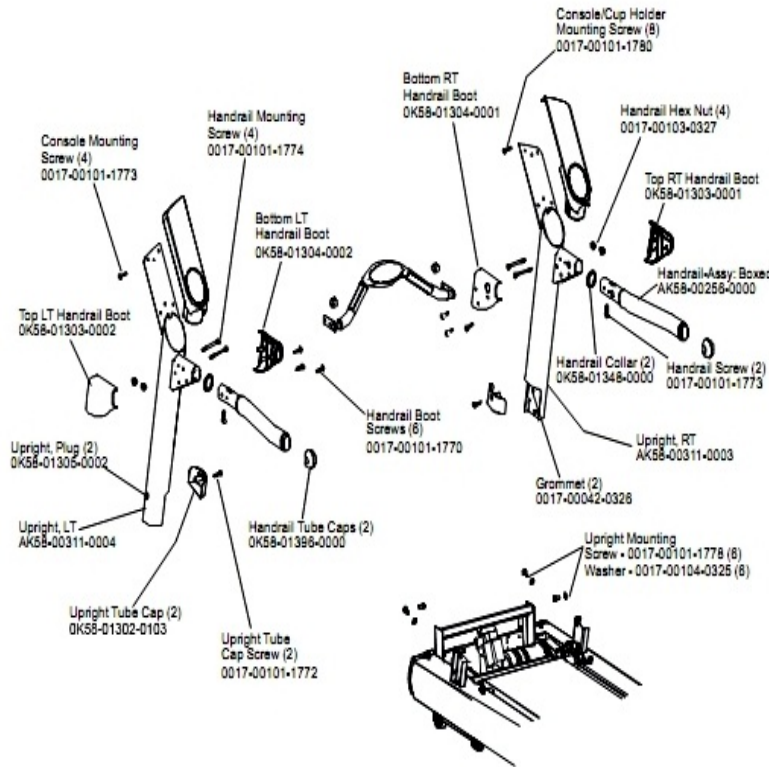
Ref #	Part Number	Qty	Description
-	OK58-01376-0000	2	Anti-Scuff Pad
-	OK58-01102-0001	1	Anti-Static Tinsel
-	0017-00101-0975	1	Hardware: Mounting Bolt 0.375"
-	0017-00009-0901	1	Tinsel Extension Spring

Stride Sensor Assembly and Stride Sensor



Ref #	Part Number	Qty	Description
-	0017-00042-1180	1	Hardware: Snap Bushing - 1.75"
-	AK58-00560-0000	1	Stride Sensor Assembly
-	B084-92329-0000	1	PCB-ASSY: STRIDE SENSE ISO
-	0017-00042-1057	1	Support: Printed Circuit Board; 3/8"

Uprights and Handrails



Ref #	Part Number	Qty	Description
-	0017-00101-1773	6	Hardware: TORX Screw 0.5"
-	0K58-01348-0000	2	Handrail Collar
-	0K58-01396-0000	2	Endcap
-	0K58-01303-0002	1	Top Left Handrail Boot
-	0K58-01304-0001	1	Bottom Right Handrail Boot
-	0K58-01304-0002	1	Bottom Left Handrail Boot
-	0017-00101-1772	2	Hardware: Phillips Pan Screw 0.5"
-	0K58-01303-0001	1	Top Right Handrail Boot
-	0017-00042-0326	2	Hardware: Plastic Grommet
-	0017-00103-0327	4	Hardware: Hex Nut 5/16" ID
-	0K58-01302-0103	2	Cap: Upright Tube; Arctic Silver
-	0K58-01305-0002	2	Upright Plug
-	AK58-00256-0001	1	Handrail
-	AK58-00311-0004	1	Upright: Left
-	0017-00101-1778	1	Hardware: Hex Bolt 1"
-	0017-00104-0325	6	Hardware: Washer 0.873" OD
-	0017-00101-1774	4	Hardware: TORX Screw 2.5"
-	0017-00101-1780	8	Hardware: Mounting Screws
-	AK58-00311-0003	1	Upright: Right
-	0017-00101-1770	6	Hardware: Phillips Pan Screw 0.5"

