

97TI Treadmill UK/EUR High VT ENG

97T-2102-02

Parts Manual

1/5/2019 11:54:55 AM

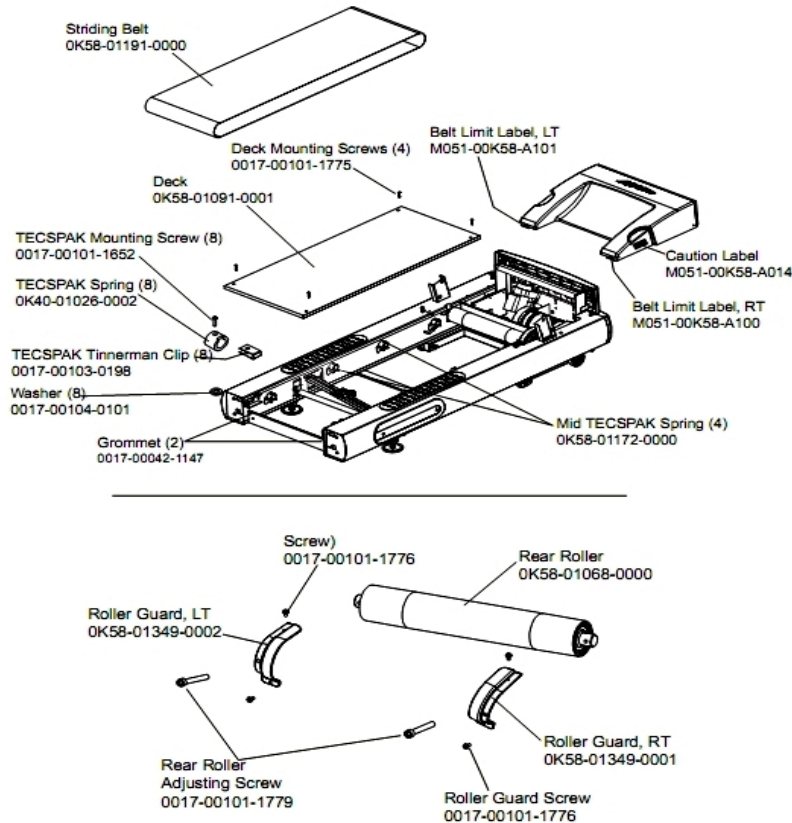


LifeFitness
WHAT WE LIVE FOR

Table of Contents

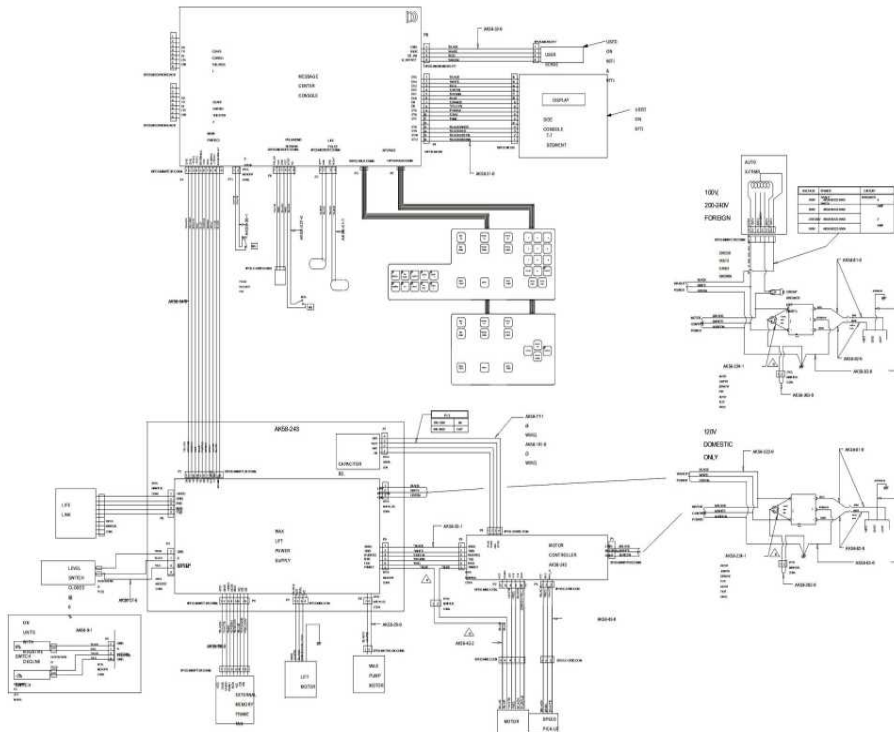
Belt, Deck, and Rear Roller.....	3
Cables.....	4
Console Assembly.....	6
Covers, End Caps and Hardware.....	7
Drive Motor Assembly.....	8
Ergo Bar with Lifepulse.....	9
Frame Assembly.....	10
Front Roller Assembly.....	11
General Assembly.....	12
Handrail Assembly.....	13
Idler Arm Assembly.....	14
Leveler Assembly.....	15
Lift Motor and Frame.....	16
Motor Controller Assembly.....	18
Power Components.....	19
Wax Components.....	20
Wax/Lift Assembly.....	21

Belt, Deck, and Rear Roller



Ref #	Part Number	Qty	Description
-	0017-00101-1775	8	Hardware: Deck Screws 1.25"
-	M051-00K58-A101	2	Belt Limit Label. Left
-	OK58-01349-0001	2	Rear Roller Guard Right
-	0017-00103-0198	16	Hardware: Tinnerman Clip 1/4" ID
-	0017-00101-1779	4	Hardware: Rear Roller Adjusting Bolt
-	OK58-01191-0000	2	Striding Belt
-	OK58-01172-0000	8	TECSPAK Spring
-	0017-00042-1147	4	Hardware: Nylon Grommet
-	0017-00101-1652	16	Hardware: Spring Mounting Screw 1"
-	OK58-01349-0002	2	Rear Roller Guard Left
-	0017-00104-0101	16	Hardware: Flat Washer 0.437" OD
-	OK58-01068-0000	2	Rear Roller - 5"
-	OK58-01091-0001	2	Deck
-	M051-00K58-A014	2	Label: Caution
-	0017-00101-1776	8	Hardware: Mounting Screw 0.5"
-	OK40-01026-0002	16	Deck Spring

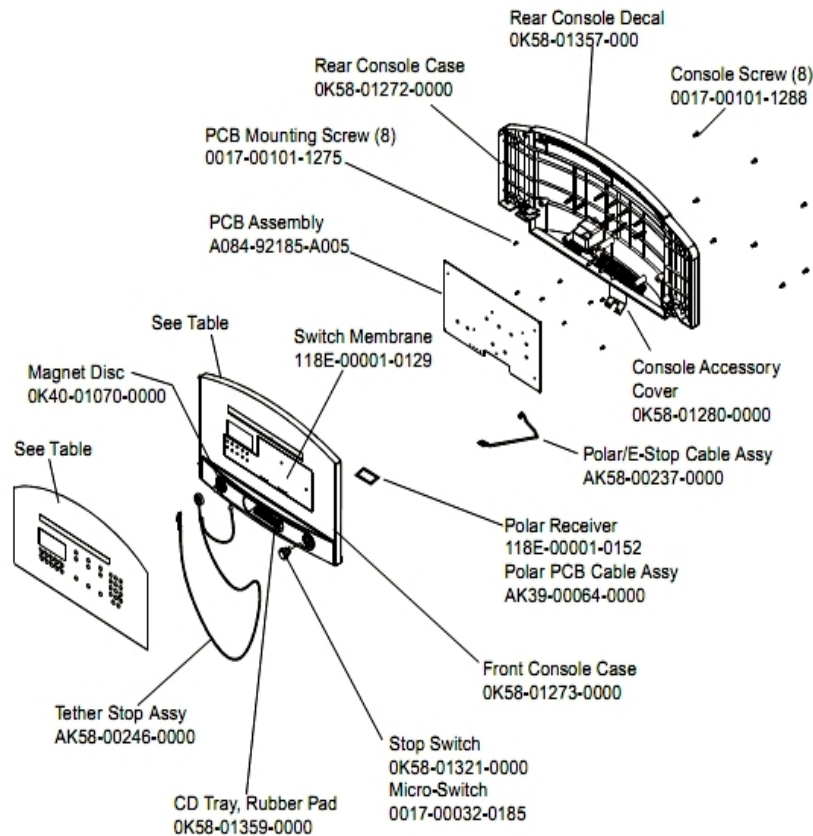
Cables



Ref #	Part Number	Qty	Description
-	AK58-00223-0003	1	Power Cable Assembly 220-230V
-	AK58-00027-0000	2	Limit Switch Cable
-	AK58-00036-0000	2	Cable-Assembly: Emergency-Stop Switch
-	AK58-00035-0001	2	Motor Controller Interface Cable
-	AK58-00029-0000	2	Wax Pump Cable
-	AK58-00224-0001	3	Cable: MOV; Fliter
-	AK58-00032-0000	2	User Proximity Sensor Cable
-	AK58-00077-0001	2	Cap Board Cable - Domestic
-	AK60-00009-0001	2	Negative Switch Cable Assembly
-	AK58-00030-0000	2	Frame Tag Cable
-	AK58-00083-0000	4	Cable Assembly
-	AK58-00082-0000	4	Jumper Cable Assembly: White - 6"
-	AK58-00223-0001	1	Power Cable Assembly 100V
-	AK58-00031-0000	2	Side Console Cable Assembly
-	AK58-00042-0003	2	Cable Motor Drive Extension INT
-	AK58-00222-0000	2	Power Cable Assembly 120V
-	AK58-00034-0000	2	Console Cable
-	AK58-00041-0001	2	Heart Rate Sensor Cable
-	AK58-00237-0000	2	Cable-Assembly: Polar/E-Stop
-	AK58-00263-0000	3	Hi-Pot Jumper Cable
-	AK58-00081-0000	4	Jumper Cable Assembly: Black - 4"
-	AK58-00043-0000	2	Speed Sensor Cable

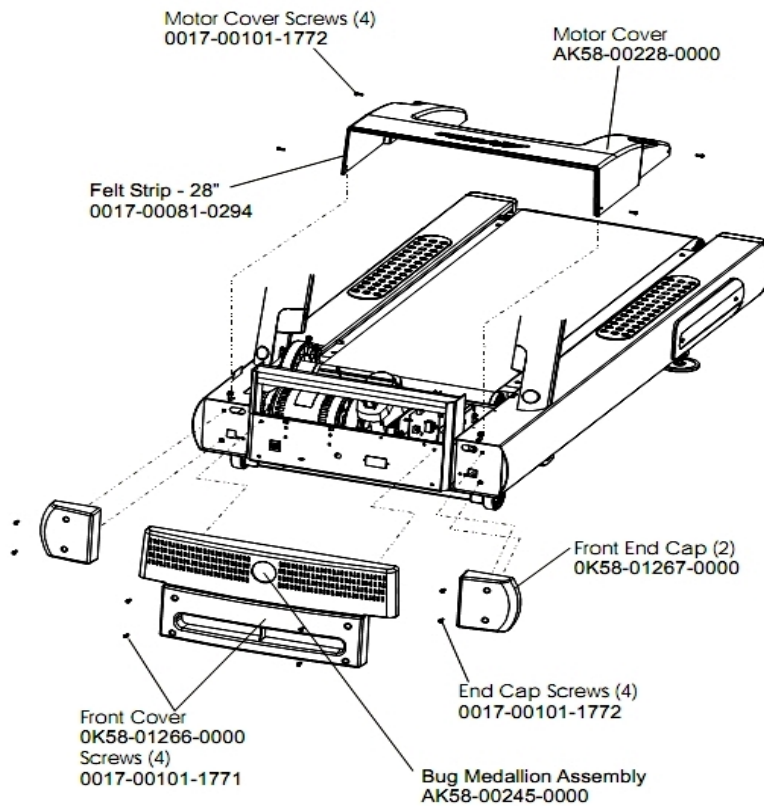
Ref #	Part Number	Qty	Description
-	AK58-00181-0000	2	Cap Board Cable 3-Wire

Console Assembly



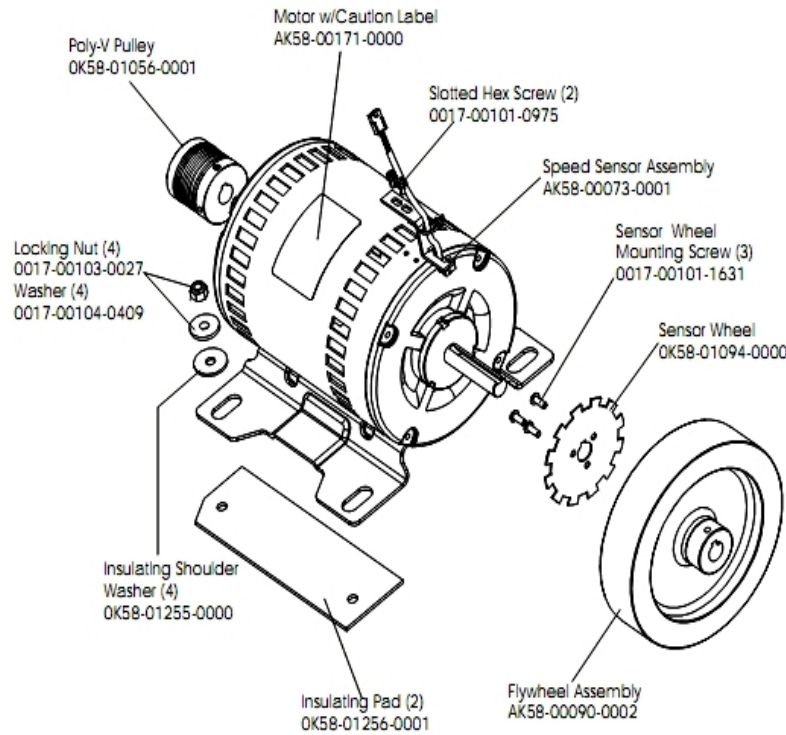
Ref #	Part Number	Qty	Description
-	118E-00001-0259	2	Wireless Receiver Module, Non-Coded
-	0K40-01070-0000	2	Magnetic Disk
-	AK58-00196-0001	1	Console Assembly - English/Metric
-	0K58-01359-0000	2	Rubber Pad
-	0K58-01273-0000	2	Front Console Case
-	AK58-00237-0000	2	Cable-Assembly: Polar/E-Stop
-	AK58-00196-0002	1	Console Assembly - English/European
-	118E-00001-0244	2	Heart Rate Receiver
-	0K58-01296-0001	2	Overlay - English / Metric
-	AK58-00202-0001	2	Overlay Switch Bezel Assembly - English/European
-	118E-00001-0129	2	Switch Membrane
-	0K58-01321-0000	2	Stop Switch
-	A084-92185-A009	2	PCB Assembly
-	AK58-00322-0000	2	Tether Stop Assembly
-	0K58-01272-0000	2	Rear Console Case
-	0K58-01357-0000	2	Decal
-	0017-00101-1288	16	Hardware: Phillips Screw 0.5"
-	0017-00101-1275	16	Hardware: Phillips Screw 0.375"
-	0K58-01280-0000	2	Accessory Cover
-	0017-00032-0185	2	Micro Switch 150GR

Covers, End Caps and Hardware



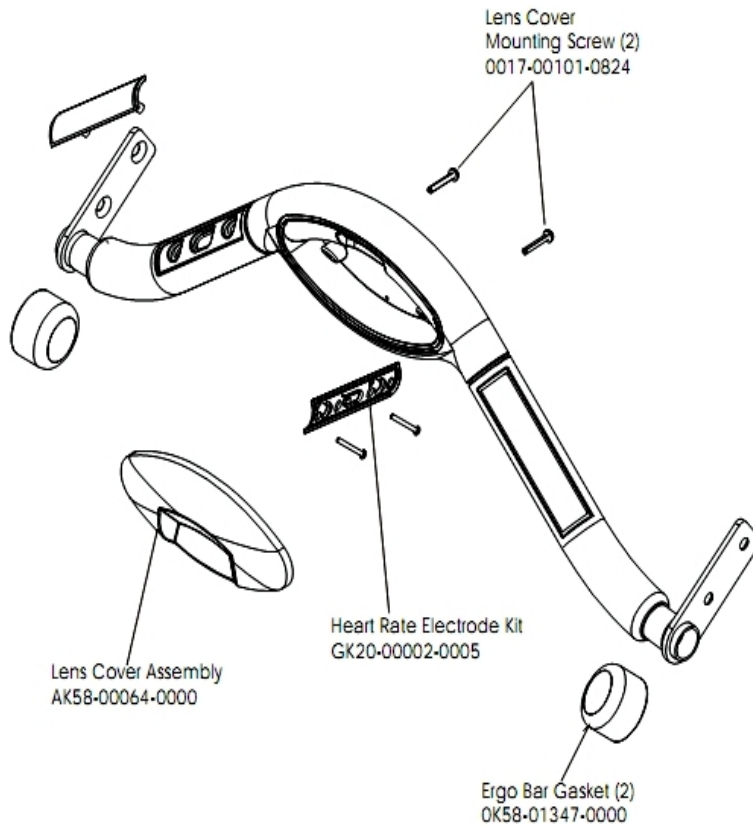
Ref #	Part Number	Qty	Description
-	0017-00081-0294	2	Felt Strip - 28"
-	AK58-00245-0000	2	Bug Medallion
-	0017-00101-1771	8	Hardware: Phillips Pan Screw
-	0K58-01267-0000	4	End Cap
-	AK58-00228-0000	2	Motor Cover
-	0017-00101-1772	16	Hardware: Phillips Pan Screw 0.5"
-	0K58-01266-0000	2	Front Cover

Drive Motor Assembly



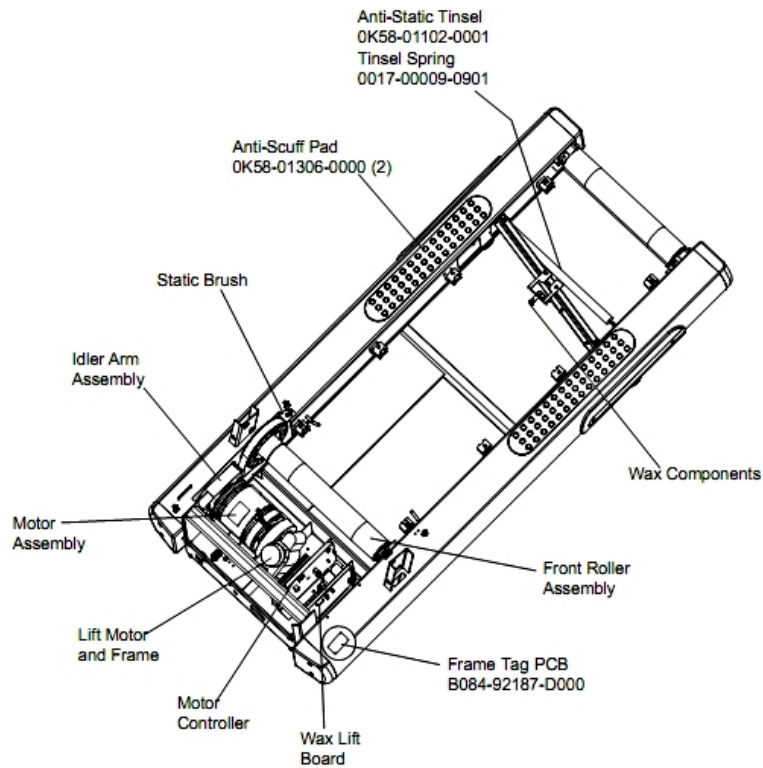
Ref #	Part Number	Qty	Description
-	0017-00101-0975	4	Hardware: Mounting Bolt 0.375"
-	0017-00103-0027	8	Hardware: Locking Nut. 5/16" ID
-	AK58-00171-0000	2	Motor with Caution Label
-	OK58-01255-0000	8	Hardware: Insulating Washers
-	0017-00104-0409	8	Hardware: Washer 1.125" OD
-	OK58-01094-0000	2	Sensor Wheel
-	AK58-00090-0002	2	Flywheel Assembly
-	OK58-01256-0001	4	Insulating Pad
-	0017-00101-1631	6	Hardware: Sensor Wheel Mounting Screw
-	AK58-00073-0001	2	Speed Sensor Assembly

Ergo Bar with Lifepulse



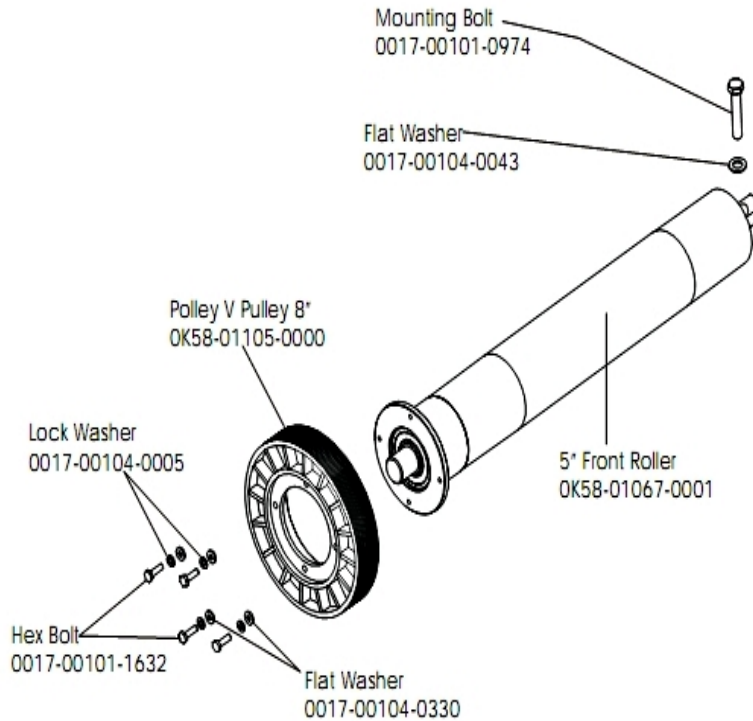
Ref #	Part Number	Qty	Description
-	AK58-00064-0000	2	I/R Lens Cover Assembly
-	0017-00101-0824	4	Hardware: Screw 1.125"
-	OK58-01347-0000	4	ErgoBar Gasket
-	GK20-00002-0005	4	Heart Rate Electrode Kit

Frame Assembly



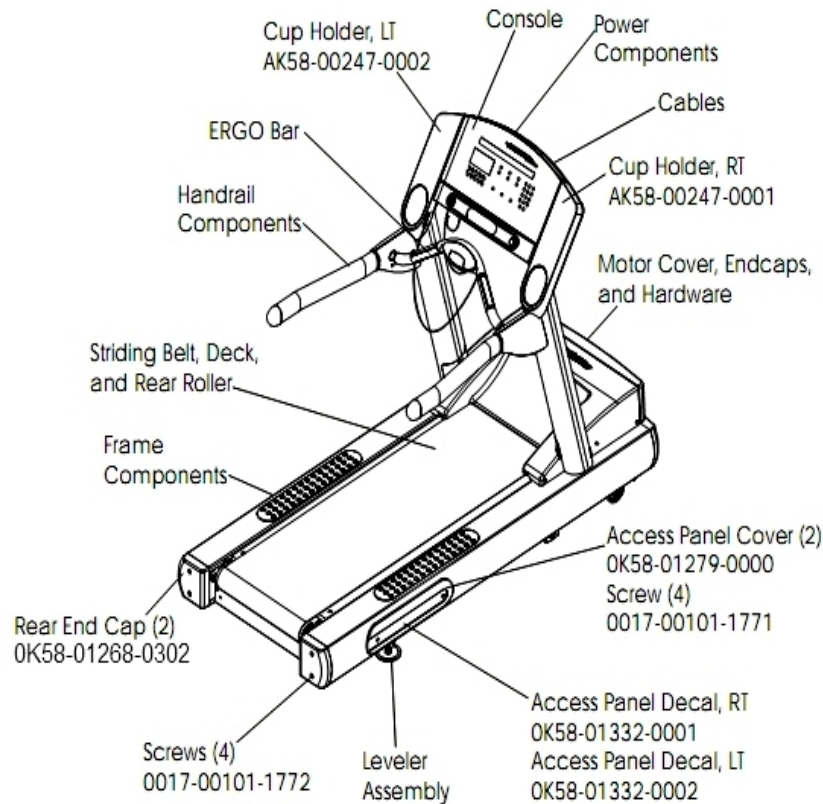
Ref #	Part Number	Qty	Description
-	0K58-01102-0001	2	Anti-Static Tinsel
-	0017-00009-0901	2	Tinsel Extension Spring
-	B084-92187-D000	2	Frame Tag PCB
-	0K58-01376-0000	4	Anti-Scuff Pad

Front Roller Assembly



Ref #	Part Number	Qty	Description
-	0017-00104-0005	8	Hardware: Lock Washer 0.489" OD
-	0017-00104-0330	8	Hardware: Flat Washers 0.562" OD
-	AK58-00067-0000	2	Front Roller Assembly
-	0017-00104-0043	2	Hardware: Flat Washer 0.734" OD
-	OK58-01067-0001	2	Front Roller - 5"
-	0017-00101-1632	8	Hardware: Hex Bolt 0.875"
-	0017-00101-0974	2	Hardware: Mounting Bolt 2"
-	OK58-01105-0000	1	Drive Pulley Poly V - 8"

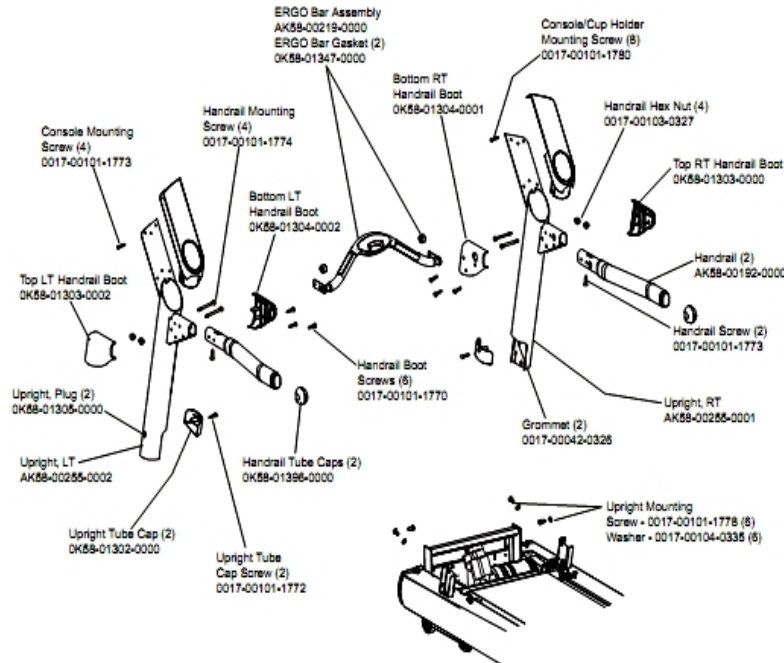
General Assembly



Ref #	Part Number	Qty	Description
-	OK58-01332-0001	2	Access Panel Decal Right
-	OK58-01332-0002	2	Access Panel Decal Left
-	0017-00008-0197	2	Paint: Silver Bullet; 4.5OZ. Can
-	0017-00008-0199	2	Paint: Stealth Grey; 4.5OZ. Can
-	OK58-01268-0302	4	ENDCAP: REAR; STEALTH D
-	OK58-01279-0000	4	Access Panel Cover
-	0017-00008-0198	2	Paint: Stealth Grey; .6OZ. Bottle B
-	0017-00101-1771	8	Hardware: Phillips Pan Screw
-	AK58-00247-0001	2	Cup Holder Right
-	0017-00008-0196	2	Paint: Silver Bullet; .6OZ. Bottle
-	AK58-00247-0002	2	Cup Holder Left
-	0017-00101-1772	8	Hardware: Phillips Pan Screw 0.5"

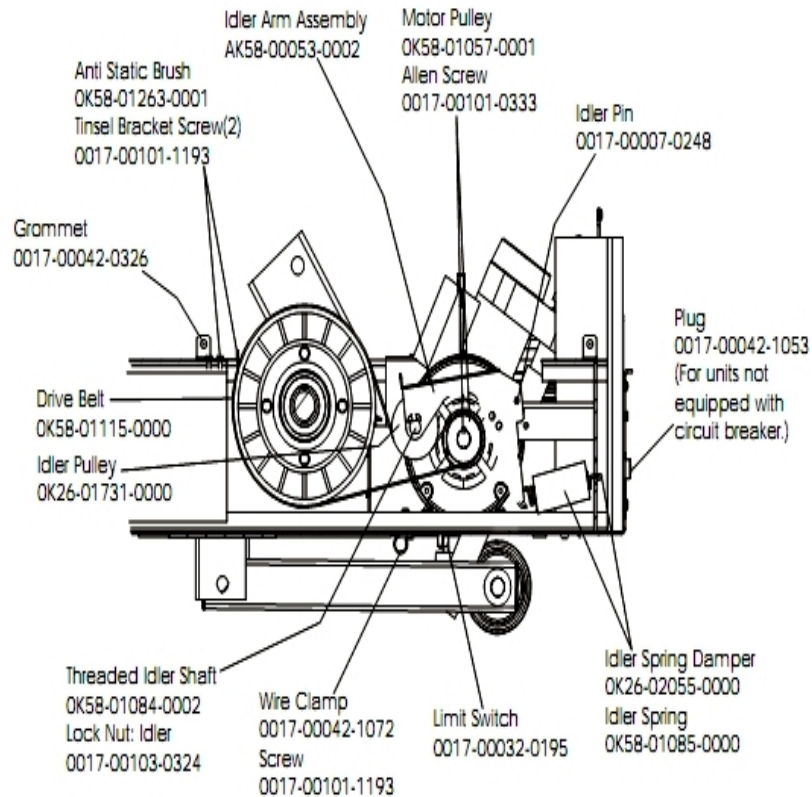
Handrail Assembly

Hardware Bag Assembly AK58-00226-0001



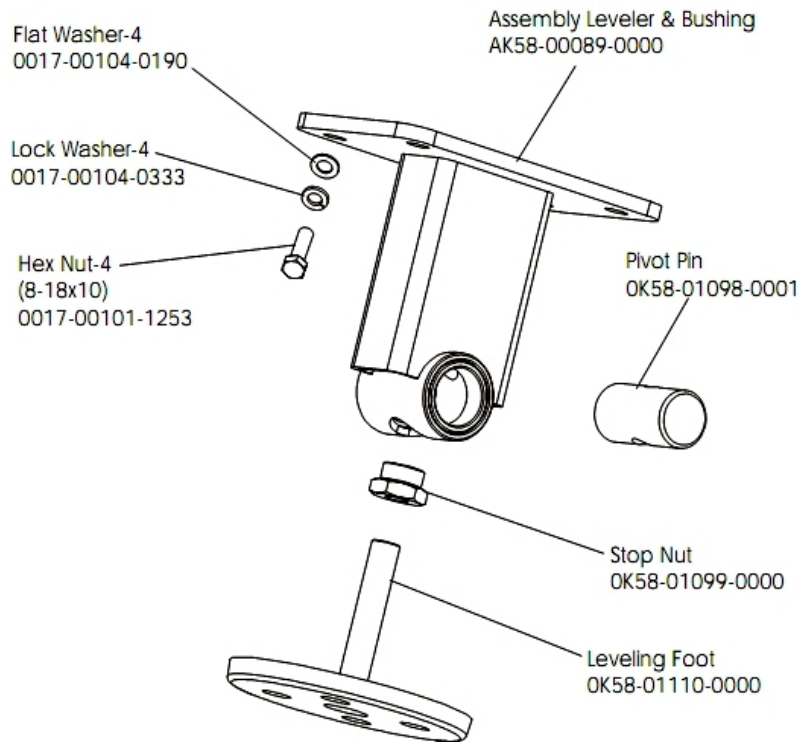
Ref #	Part Number	Qty	Description
-	0017-00101-1773	12	Hardware: TORX Screw 0.5"
-	AK58-00311-0003	2	Upright: Right
-	OK58-01396-0000	4	Endcap
-	OK58-01303-0002	2	Top Left Handrail Boot
-	OK58-01304-0001	2	Bottom Right Handrail Boot
-	OK58-01304-0002	2	Bottom Left Handrail Boot
-	AK58-00219-0000	2	Ergo Bar with Heart Rate Sensors
-	0017-00101-1772	4	Hardware: Phillips Pan Screw 0.5"
-	OK58-01303-0001	2	Top Right Handrail Boot
-	0017-00042-0326	4	Hardware: Plastic Grommet
-	0017-00103-0327	8	Hardware: Hex Nut 5/16" ID
-	OK58-01302-0103	4	Cap: Upright Tube; Arctic Silver
-	OK58-01305-0002	4	Upright Plug
-	AK58-00311-0004	2	Upright: Left
-	AK58-00256-0001	4	Handrail
-	OK58-01347-0000	4	ErgoBar Gasket
-	0017-00101-1778	12	Hardware: Hex Bolt 1"
-	AK58-00226-0001	2	Hardware Bag
-	0017-00101-1774	8	Hardware: TORX Screw 2.5"
-	0017-00101-1780	16	Hardware: Mounting Screws
-	0017-00104-0335	12	Hardware: Handrail Washer
-	0017-00101-1770	12	Hardware: Phillips Pan Screw 0.5"

Idler Arm Assembly



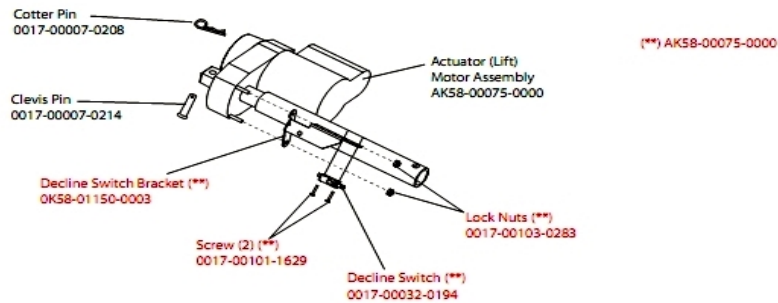
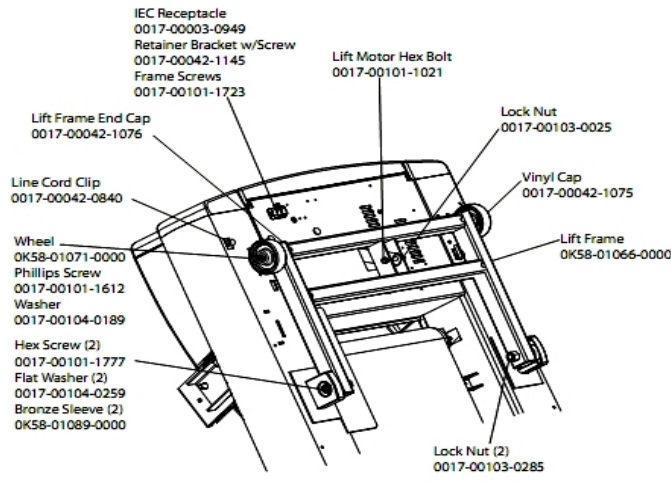
Ref #	Part Number	Qty	Description
-	OK58-01057-0001	2	Drive Pulley - 1.971"
-	OK58-01263-0001	2	Tinsel Bracket
-	0017-00042-1053	2	Plug (For units not equipped with circuit breaker.)
-	0017-00103-0324	2	Hardware: Thin Lock Nut 3/8" ID
-	OK26-01731-0000	2	Plastic Idler 2 5/8" OD
-	OK26-02055-0000	2	Spring Damper
-	0017-00032-0195	2	Home Switch
-	0017-00042-1072	2	Hardware: Wire Clamp - 5/8"
-	0017-00007-0248	2	Hardware: Locking Pin .31" D 2.125" L
-	0017-00042-0326	2	Hardware: Plastic Grommet
-	0017-00101-1193	6	Hardware: Screw 0.375"
-	OK58-01084-0002	2	Threaded Shaft
-	0017-00101-0333	2	Hardware: Screw 0.3125"
-	AK58-00053-0002	2	Idler Arm Assembly
-	OK58-01085-0000	2	Extension Spring
-	GK58-00002-0129	2	KIT: TREADMILL BELT AND PULLEY

Leveler Assembly



Ref #	Part Number	Qty	Description
-	0017-00104-0190	16	Hardware: Flat Washer 0.734" OD
-	AK58-00089-0000	4	Bracket Leveler
-	AK58-00370-0000	4	Leveler Assembly
-	OK58-01110-0000	4	Leveler Foot
-	0017-00104-0333	16	Hardware: Washer 0.683" OD
-	0017-00101-1253	16	Hardware: Screw
-	OK58-01099-0000	4	Hardware: Stop Nut
-	OK58-01098-0001	4	Hardware: Pivot Pin

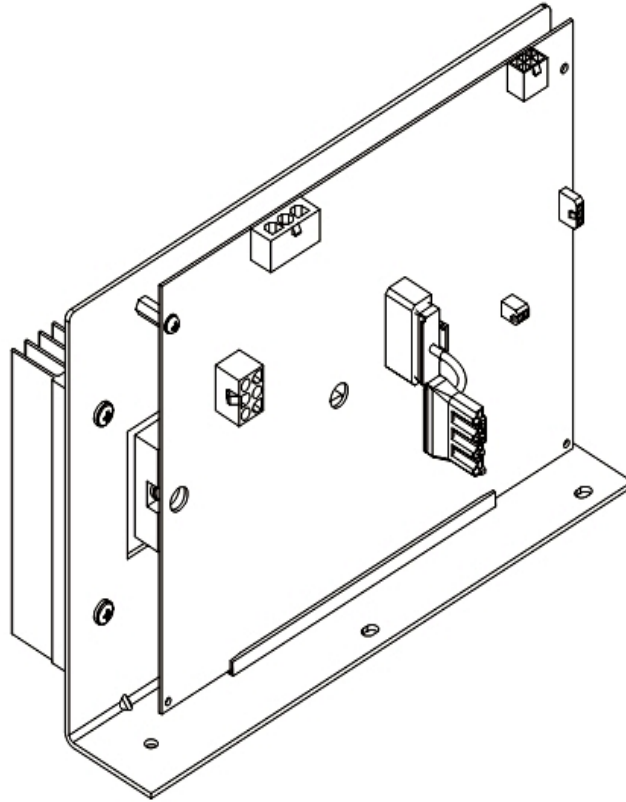
Lift Motor and Frame



Ref #	Part Number	Qty	Description
-	0017-00103-0285	4	Hardware: Nut 5/8" ID
-	0017-00104-0189	4	Hardware: Flat Washer 1" OD
-	0K58-01150-0003	2	Decline Switch Bracket
-	0017-00007-0208	2	Hardware: Cotter Pin
-	0017-00101-1621	4	Hardware: Phillips Screw 0.5"
-	0017-00101-1629	4	Hardware: Phillips Pan Screw 0.625"
-	0017-00101-1777	4	Hardware: Lift Frame Mounting Bolt 2.75"
-	0017-00101-1723	2	Hardware: Phillips Pan Screw 0.375"
-	0017-00104-0259	4	Hardware: Washer 1.331" OD
-	0017-00032-0194	2	Mini Switch; SPDT
-	0017-00042-1145	2	Power Cord Retainer
-	0017-00101-1021	2	Hardware: Lift Motor Hex Bolt 2.5"
-	0017-00103-0025	2	Hardware: Locking Nut 3/8" ID
-	0017-00003-0949	2	IEC Receptacle
-	0017-00042-1076	2	Lift Frame End Cap
-	AK58-00220-0000	2	LIFT-FRAME ASSY: MFG. C
-	AK58-00075-0000	4	Lift Motor Bracket Assembly
-	0017-00042-0840	2	Hardware: Push Mount Clip
-	0K58-01089-0000	4	Bronze Sleeve Bushings
-	0017-00042-1075	2	Vinyl Cap
-	0017-00007-0214	2	Hardware: Clevis Pin 3/8" D 1.75" L
-	0017-00103-0283	2	Hardware: Locking Nut ID

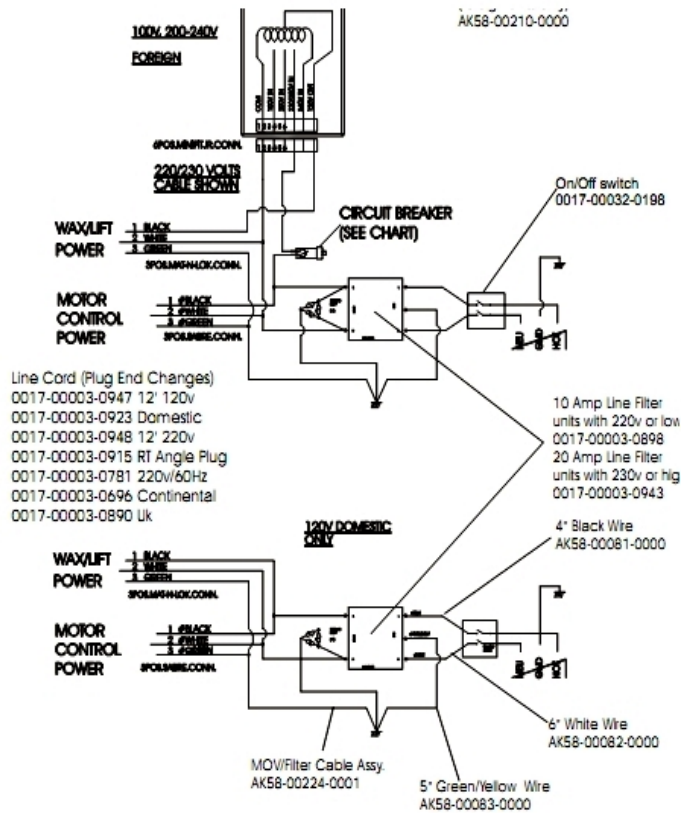
Ref #	Part Number	Qty	Description
-	0K58-01071-0000	4	Wheel

Motor Controller Assembly



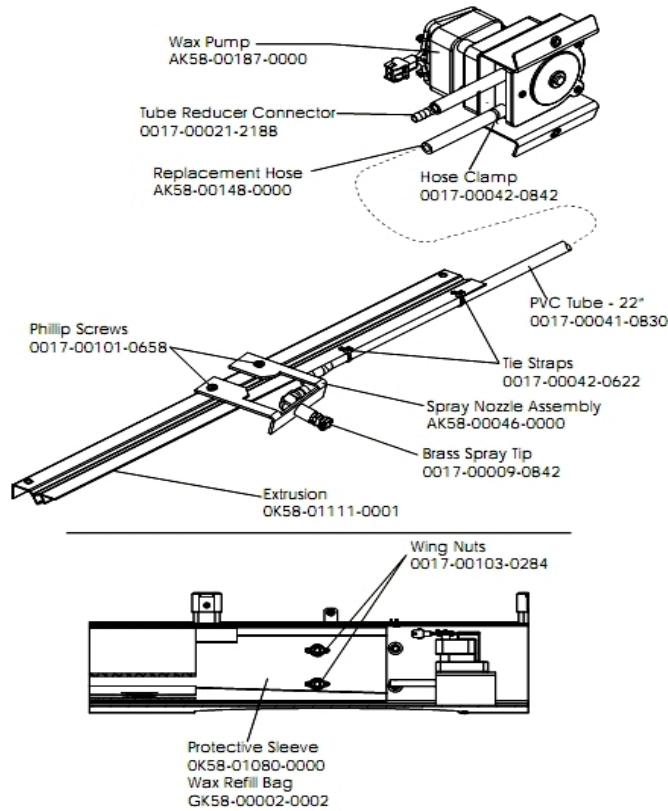
Ref #	Part Number	Qty	Description
-	AK58-00522-0000	1	Cable: Jumper; Power; LED Console
-	AK58-00373-0001	1	USE/ AK60-00171-0001: MOTOR CONTR Void AK60-00171-0001
-	GK65-00002-0019	2	Motor Controller Assembly (200-240V)

Power Components



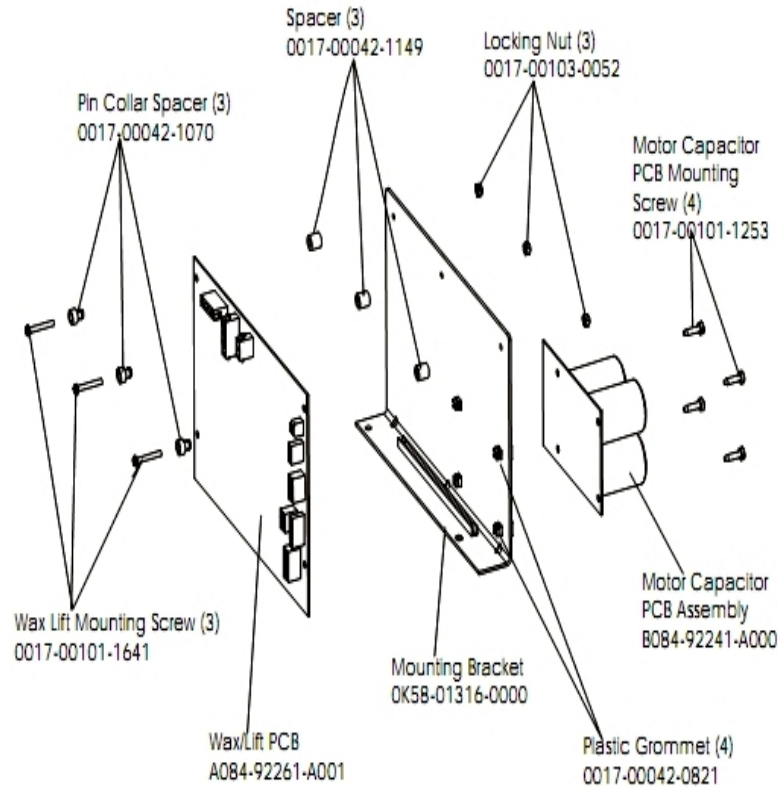
Ref #	Part Number	Qty	Description
-	AK58-00258-0007	1	Cable-Assembly: Power; 220-230V S/C#2-D
-	AK58-00082-0000	2	Jumper Cable Assembly: White - 6"
-	0017-00003-0948	1	12' 220v Line Cord
-	AK58-00258-0008	1	Cable-Assembly: Power; 240V S/C#2-D
-	AK58-00081-0000	2	Jumper Cable Assembly: Black - 4"
-	0017-00003-0890	2	Line Cord: UK
-	0017-00032-0198	2	On/Off Switch 22A
-	AK58-00210-0000	2	Transformer-Bracket Assembly
-	0017-00003-0626	2	CIRCUIT-BREAKER:2A 200-240V
-	AK58-00224-0001	2	Cable: MOV; Fliter
-	0017-00003-0781	1	Line Cord: US High Voltage
-	0017-00003-0915	2	Line Cord RT Angle Plug
-	AK58-00083-0000	2	Cable Assembly
-	AK58-00258-0003	1	Power Cable 220/230v
-	0017-00003-0943	2	10 Amp Line Filter 230v or higher

Wax Components



Ref #	Part Number	Qty	Description
-	OK58-01111-0001	2	Extrusion Assembly
-	AK58-00046-0000	2	Spray Nozzle Assembly
-	0017-00009-0842	2	Brass Spray Tip
-	0017-00041-0830	2	TUBING: PVC; REINFORCED B
-	AK58-00148-0000	2	Replacement Hose
-	0017-00021-2188	2	Tube Reducer Connector
-	0017-00042-0622	2	Cable Tie
-	0017-00042-0842	2	Hose Clamp
-	0017-00101-0658	2	Hardware: Access Panel Screws
-	0017-00103-0284	4	Hardware: Wing Nut
-	OK58-01080-0000	2	Protective Sleeve
-	AK58-00187-0000	2	Wax Pump
-	GK58-00002-0002	2	Wax Refill Bag

Wax/Lift Assembly



Ref #	Part Number	Qty	Description
-	0017-00101-1253	8	Hardware: Screw
-	0017-00101-1641	6	Hardware: Phillips Pan Screw
-	A084-92261-A001	2	Wax/Lift PCB
-	0017-00042-0821	8	Hardware: Plastic Grommet
-	0017-00042-1070	6	Pin Collar Spacer
-	0017-00042-1149	6	Spacer
-	0K58-01316-0000	2	Mounting Bracket
-	0017-00103-0052	6	Hardware: Locking Nut ID
-	B084-92241-A000	2	Motor Capacitor PCB Assembly

