

97Te Treadmill w/Integrated LCD- 4HP AC - Heart Rate

97TE-0100-07

Parts Manual

1/5/2019 11:56:26 AM



LifeFitness
WHAT WE LIVE FOR

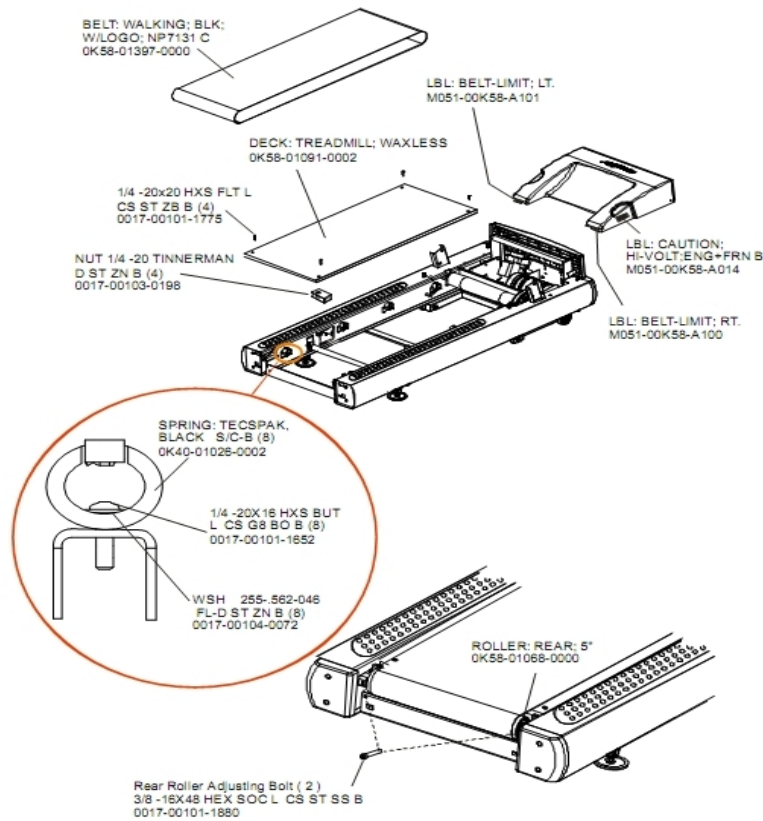
Table of Contents

A-Z Module with Overlay Assembly	3
Belt, Deck, and Rear Roller	4
Cables	5
Console Components 1	7
Console Components 2	8
Console, Overlay Assembly and Overlay	9
Drive Motor Assembly	10
DSP Controller Assembly	11
Ergo Bar, Heart Rate Sensors and Activity Zone	12
Front Roller Assembly	13
Idler Arm Assembly	14
Leg Leveler Assembly	15
Lift Frame and Receptacle Assembly	16
Lift Motor Assembly	17
Line Cords and Line Cord Options	18
Motor Cover, Front Cover and End Caps	19
On/Off Switch, Access Plate and Grommets	20
Rear End Caps and Cup Holders	21
References	22
Scuff Pad and Tinsel	24
Stride Sensor and Stride Sensor PCB Assembly	25
Uprights and Handrails	26

A-Z Module with Overlay Assembly

Ref #	Part Number	Qty	Description
-	0K58-01461-0001	1	Activity Zone Overlay English/Metric
-	AK58-00556-0002	1	Activity Zone Assembly: English/Metric

Belt, Deck, and Rear Roller



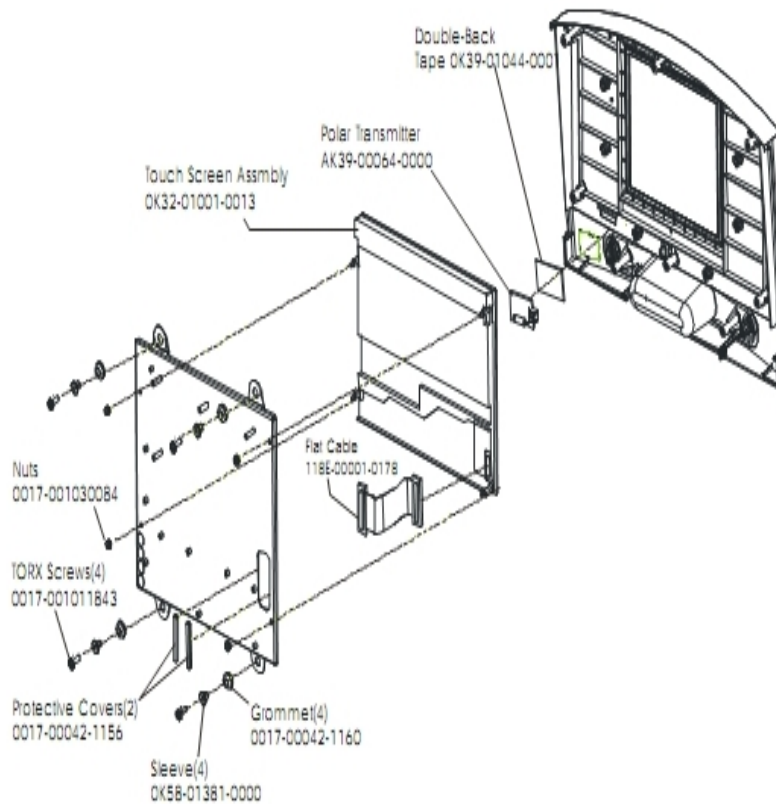
Ref #	Part Number	Qty	Description
-	0017-00101-1775	4	Hardware: Deck Screws 1.25"
-	0K40-01026-0002	8	Deck Spring
-	0K58-01397-0000	1	Striding Belt
-	0K65-01263-0000	1	Deck
-	0017-00103-0198	4	Hardware: Tinnerman Clip 1/4" ID
-	M051-00K58-A101	1	Belt Limit Label. Left
-	M051-00K58-A100	1	Label: Belt Limit: Right
-	0K58-01068-0000	1	Rear Roller - 5"
-	M051-00K58-A014	1	Label: Caution
-	0017-00101-1652	8	Hardware: Spring Mounting Screw 1"
-	0017-00101-1880	2	Hardware: Tension Bolts 3"
-	0017-00104-0072	8	Hardware: Flat Washer 0.562" OD

Cables

Ref #	Part Number	Qty	Description
-	AK58-00083-0001	1	Jumper Cable Assembly: Green/Yellow - 7"
-	AK58-00082-0000	1	Jumper Cable Assembly: White - 6"
-	118E-00001-0178	1	Flat Flex Cable
-	AK58-00597-0000	1	Cable Extension ISO Sensor
-	AK58-00083-0000	1	Cable Assembly
-	AK58-00032-0000	1	User Proximity Sensor Cable
-	AK32-00019-0001	1	Ethernet Cable
-	AK32-00009-0000	1	Headphone Jack Cable
-	0017-00003-1015	1	20 amp Line Filter (DOM)
-	AK58-00598-0000	1	Cable: ISO Power
-	AK58-00036-0000	1	Cable-Assembly: Emergency-Stop Switch
-	AK58-00273-0001	1	Power Cable
-	AK58-00224-0001	1	Cable: MOV; Fliter
-	AK58-00027-0001	1	Cable Assy: 230V
-	AK58-00081-0000	1	Jumper Cable Assembly: Black - 4"
-	AK58-00263-0000	1	Hi-Pot Jumper Cable
-	AK58-00523-0000	1	Cable: Jumper; Power; LCD Console
-	AK58-00041-0001	1	Heart Rate Sensor Cable
-	AK58-00520-0000	1	Power Cable Assembly: 100-120V
-	AK32-00020-0001	1	Coax Cable: 90"
-	AK60-00009-0001	1	Negative Switch Cable Assembly

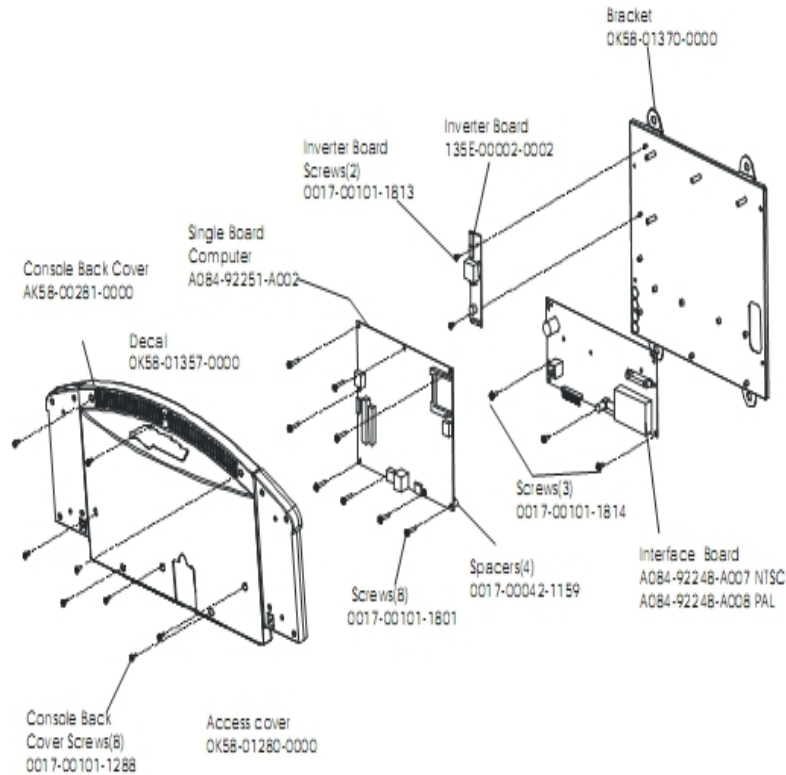
Ref #	Part Number	Qty	Description
-	AK58-00524-0000	1	Cable: Thermal Adapter
-	AK58-00232-0000	1	Cable-Assembly: Console; Middle
-	AK58-00274-0001	1	Polar and Stop Switches: 19.5"

Console Components 1



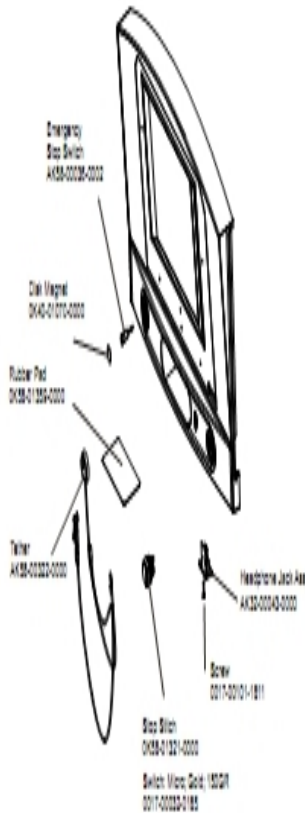
Ref #	Part Number	Qty	Description
-	0017-00103-0084	4	Hardware: Nut
-	0017-00042-1156	2	Edge Trim
-	OK32-01001-0013	1	LCD Touchscreen Assembly
-	OK32-01001-0013	1	LCD Touchscreen Assembly
-	OK32-01001-0013	1	LCD Touchscreen Assembly
-	118E-00001-0259	1	Wireless Receiver Module, Non-Coded
-	0017-00101-1843	4	Hardware: Screw
-	OK39-01044-0001	1	Double-sided Tape
-	OK58-01381-0000	4	Shoulder Bushing
-	118E-00001-0178	1	Flat Flex Cable
-	0017-00042-1160	4	Grommet
-	OK32-01001-0013	1	LCD Touchscreen Assembly

Console Components 2



Ref #	Part Number	Qty	Description
-	AK58-00281-0000	1	Console Back Cover
-	OK58-01280-0000	1	Accessory Cover
-	0017-00101-1813	2	Hardware: Inverter Board Screw
-	A084-92251-A002	1	Single Board Computer
-	OK58-01370-0000	1	Bracket
-	0017-00101-1814	3	Hardware: Screw
-	OK58-01357-0000	1	Decal
-	GK32-00002-0004	1	Inverter Board
-	0017-00101-1288	8	Hardware: Phillips Screw 0.5"
-	0017-00101-1801	8	Hardware: Screw
-	0017-00042-1159	4	Spacers
-	A084-92248-A007	1	Interface Boards NTSC
-	A084-92248-A007	1	Interface Boards NTSC
-	A084-92248-A007	1	Interface Boards NTSC
-	A084-92248-A007	1	Interface Boards NTSC

Console, Overlay Assembly and Overlay



Ref #	Part Number	Qty	Description
-	AK58-00516-0001	1	Bezel Switch with Overlay: English
-	0017-00032-0185	1	Micro Switch 150GR
-	0K40-01070-0000	1	Magnetic Disk
-	AK58-00036-0000	1	Cable-Assembly: Emergency-Stop Switch
-	AK58-00322-0000	1	Tether Stop Assembly
-	GK58-00002-0099	1	Console with FM English/ NTSC
-	0K58-01321-0000	1	Stop Switch
-	0K58-01359-0000	1	Rubber Pad
-	AK32-00043-0000	1	Headphone Jack
-	0K58-01377-0001	1	Overlay English NTSC
-	0017-00101-1811	1	Hardware: Phillips Pan Screw 0.625"

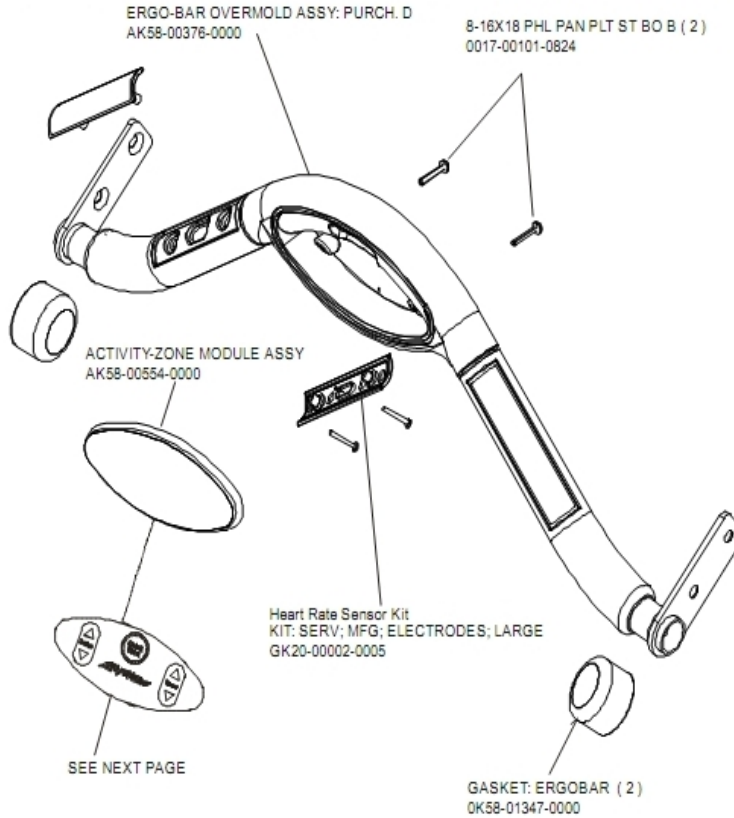
Drive Motor Assembly

Ref #	Part Number	Qty	Description
-	0K58-01386-0004	1	MOTOR: MAIN DRIVE, 230V/50HZ, W/TAPER
-	0017-00101-0333	2	Hardware: Screw 0.3125"
-	0K58-01256-0001	2	Insulating Pad
-	0K58-01092-0004	1	Cast Iron Flywheel
-	0K58-01255-0000	4	Hardware: Insulating Washers
-	0017-00101-1885	1	Hardware: Hex Bolt 1"
-	0017-00104-0409	4	Hardware: Washer 1.125" OD
-	0017-00103-0027	4	Hardware: Locking Nut. 5/16" ID
-	0K58-01057-0001	1	Drive Pulley - 1.971"

DSP Controller Assembly

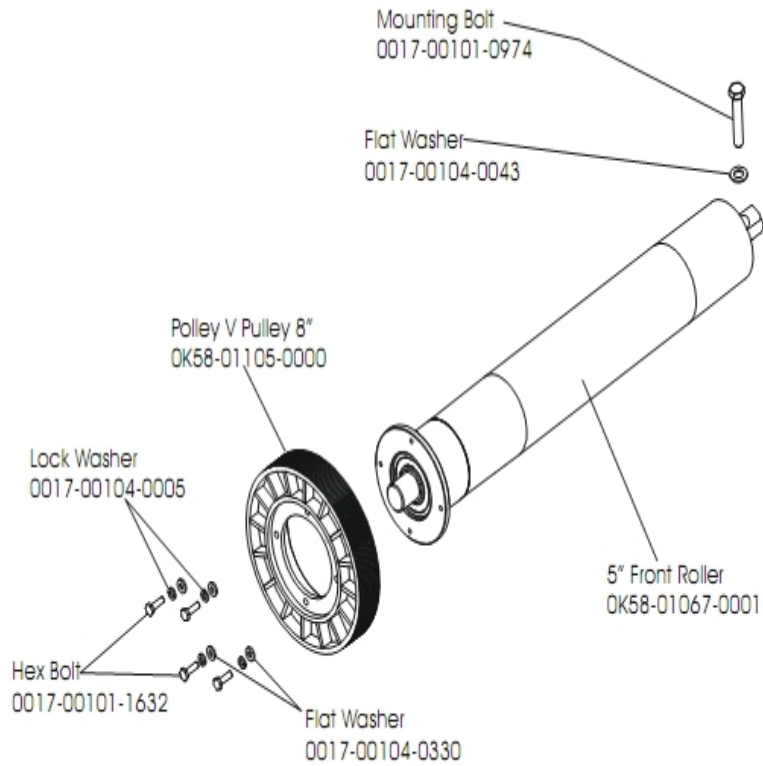
Ref #	Part Number	Qty	Description
-	GK58-00002-0119	1	Display Control- 100-120; LCD
-	GK58-00002-0119	1	Display Control- 100-120; LCD
-	AK65-00071-0000R	1	Display: Wolverine/Nextgen; Tread; Iso; 100-120
-	GK58-00002-0119	1	Display Control- 100-120; LCD
-	GK58-00002-0119	1	Display Control- 100-120; LCD

Ergo Bar, Heart Rate Sensors and Activity Zone



Ref #	Part Number	Qty	Description
-	AK58-00554-0201	1	Activity-Zone Module Assembly: Purchased; Generic Shadow Grey
-	GK20-00002-0005	2	Heart Rate Electrode Kit
-	0017-00101-0824	2	Hardware: Screw 1.125"
-	OK58-01347-0000	2	ErgoBar Gasket
-	AK58-00376-0001	1	Ergo-Bar Overmold Assembly

Front Roller Assembly

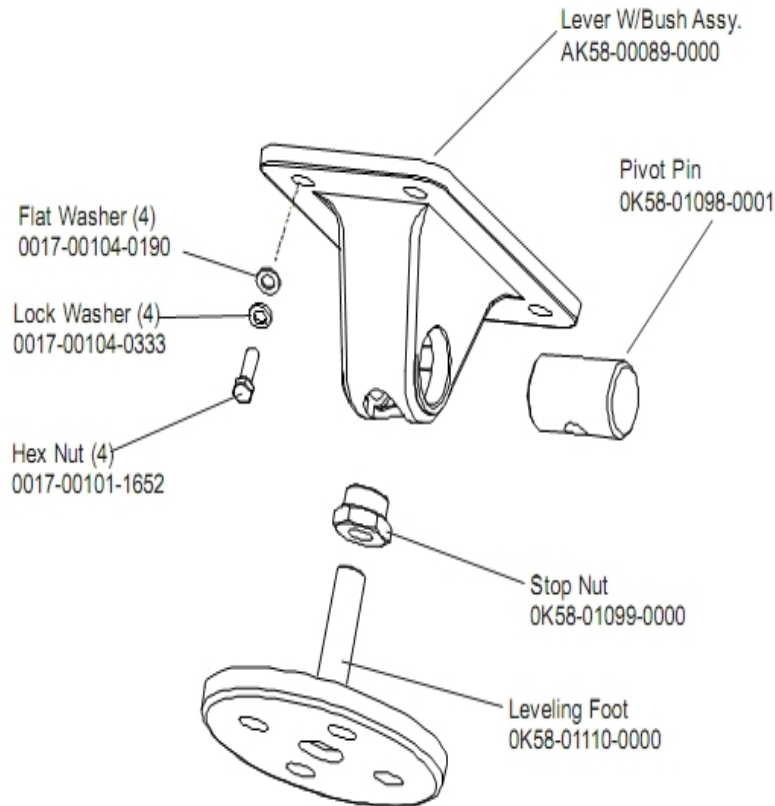


Ref #	Part Number	Qty	Description
-	0017-00101-0974	1	Hardware: Mounting Bolt 2"
-	0017-00104-0330	4	Hardware: Flat Washers 0.562" OD
-	0017-00101-1632	4	Hardware: Hex Bolt 0.875"
-	0K58-01067-0001	1	Front Roller - 5"
-	0017-00104-0043	1	Hardware: Flat Washer 0.734" OD
-	0017-00104-0005	4	Hardware: Lock Washer 0.489" OD
-	AK58-00067-0000	1	Front Roller Assembly
-	0K58-01105-0000	1	Drive Pulley Poly V - 8"

Idler Arm Assembly

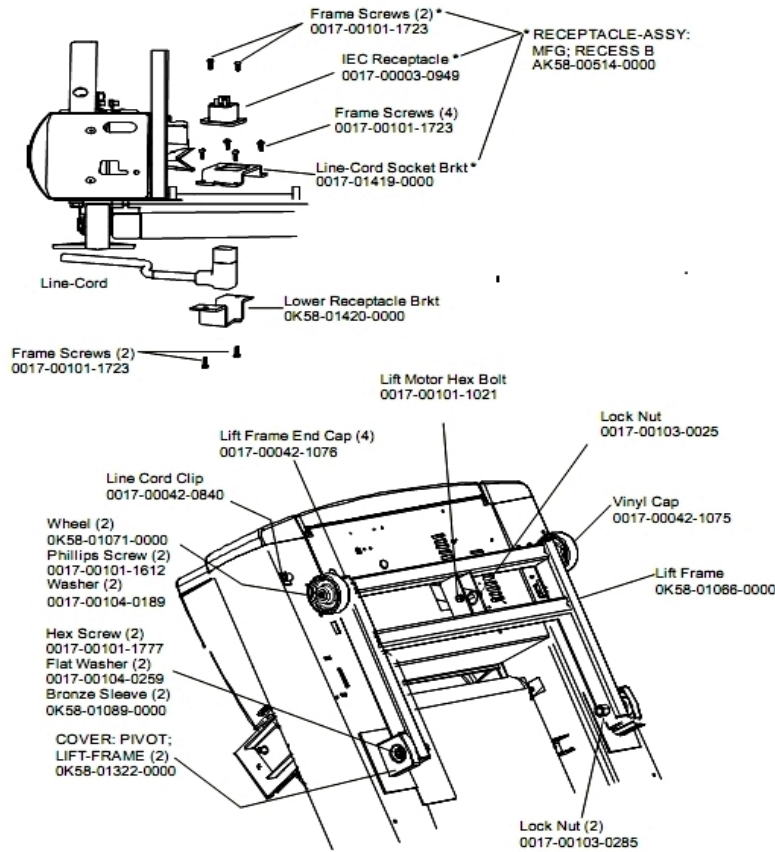
Ref #	Part Number	Qty	Description
-	0K58-01057-0001	1	Drive Pulley - 1.971"
-	0K58-01263-0001	1	Tinsel Bracket
-	0017-00042-1053	1	Plug (For units not equipped with circuit breaker.)
-	0017-00103-0324	1	Hardware: Thin Lock Nut 3/8" ID
-	AK58-00027-0000	1	Limit Switch Cable
-	0K26-01731-0000	1	Plastic Idler 2 5/8" OD
-	0K26-02055-0000	1	Spring Damper
-	0017-00032-0195	1	Home Switch
-	0017-00042-1072	1	Hardware: Wire Clamp - 5/8"
-	0K58-01084-0002	1	Threaded Shaft
-	0017-00007-0248	1	Hardware: Locking Pin .31" D 2.125" L
-	0017-00042-0326	1	Hardware: Plastic Grommet
-	0017-00101-1193	3	Hardware: Screw 0.375"
-	AK58-00053-0002	1	Idler Arm Assembly
-	0017-00101-0333	1	Hardware: Screw 0.3125"
-	0K58-01085-0000	1	Extension Spring
-	GK58-00002-0129	1	KIT: TREADMILL BELT AND PULLEY

Leg Leveler Assembly



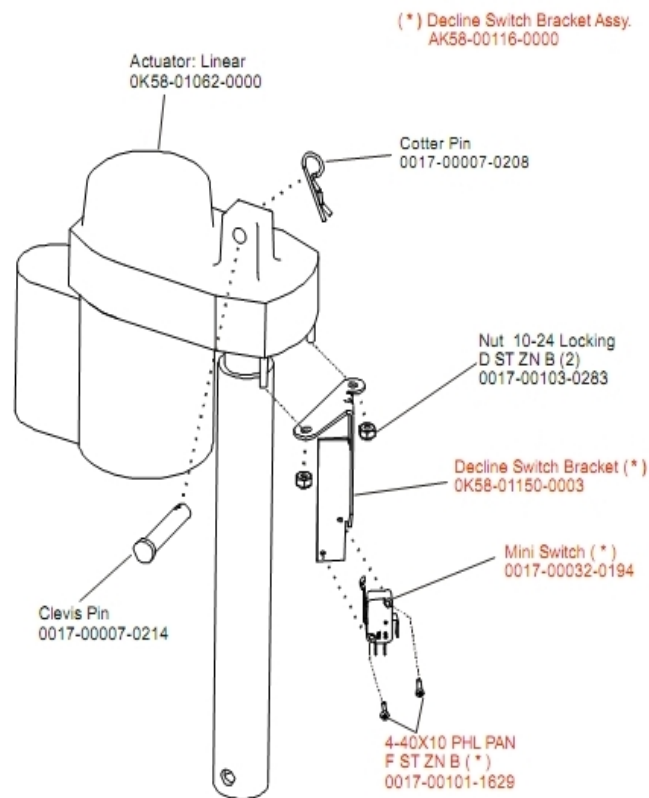
Ref #	Part Number	Qty	Description
-	0K58-01110-0000	2	Leveler Foot
-	0K58-01099-0000	2	Hardware: Stop Nut
-	0017-00104-0333	8	Hardware: Washer 0.683" OD
-	AK58-00089-0000	2	Bracket Leveler
-	0017-00101-1652	8	Hardware: Spring Mounting Screw 1"
-	0017-00104-0190	8	Hardware: Flat Washer 0.734" OD
-	0K58-01098-0001	2	Hardware: Pivot Pin

Lift Frame and Receptacle Assembly



Ref #	Part Number	Qty	Description
-	0017-00042-1075	1	Vinyl Cap
-	0017-00101-1612	2	Hardware: Phillips Screw 0.5"
-	0K58-01071-0000	2	Wheel
-	0017-00042-0840	1	Hardware: Push Mount Clip
-	0K58-01089-0000	2	Bronze Sleeve Bushings
-	0K58-01420-0000	1	Lower Receptacle Bracket
-	AK58-00220-0000	1	LIFT-FRAME ASSY: MFG. C
-	0017-00042-1076	4	Lift Frame End Cap
-	0017-00101-1777	2	Hardware: Lift Frame Mounting Bolt 2.75"
-	0017-00104-0189	2	Hardware: Flat Washer 1" OD
-	0K58-01322-0000	2	Lift Frame Pivot Cover
-	0017-00103-0285	2	Hardware: Nut 5/8" ID
-	0017-00101-1723	8	Hardware: Phillips Pan Screw 0.375"
-	AK58-00514-0000	1	Receptacle Assembly
-	0017-00101-1021	1	Hardware: Lift Motor Hex Bolt 2.5"
-	0017-00103-0025	1	Hardware: Locking Nut 3/8" ID
-	0017-00104-0259	2	Hardware: Washer 1.331" OD
-	0017-00003-0949	1	IEC Receptacle

Lift Motor Assembly

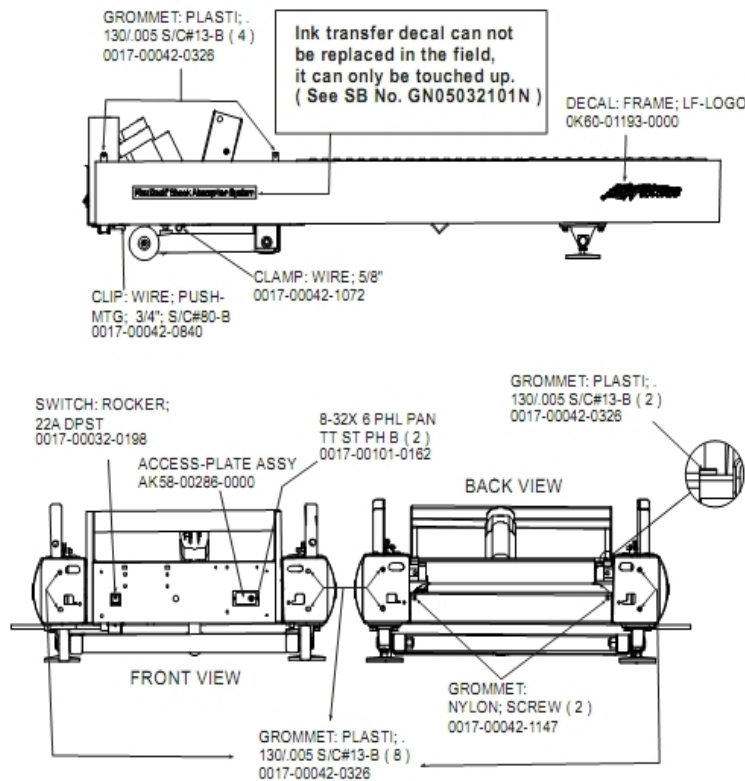


Ref #	Part Number	Qty	Description
-	0017-00007-0214	1	Hardware: Clevis Pin 3/8" D 1.75" L
-	0017-00007-0208	1	Hardware: Cotter Pin
-	0017-00103-0283	2	Hardware: Locking Nut ID
-	0017-00032-0194	1	Mini Switch; SPDT
-	0K58-01150-0003	1	Decline Switch Bracket
-	0017-00101-1629	4	Hardware: Phillips Pan Screw 0.625"
-	AK58-00116-0000	1	Switch Bracket Assembly
-	AK58-00075-0000	1	Lift Motor Bracket Assembly
-	0K58-01062-0000	1	Lift Motor - 120/60

Line Cords and Line Cord Options

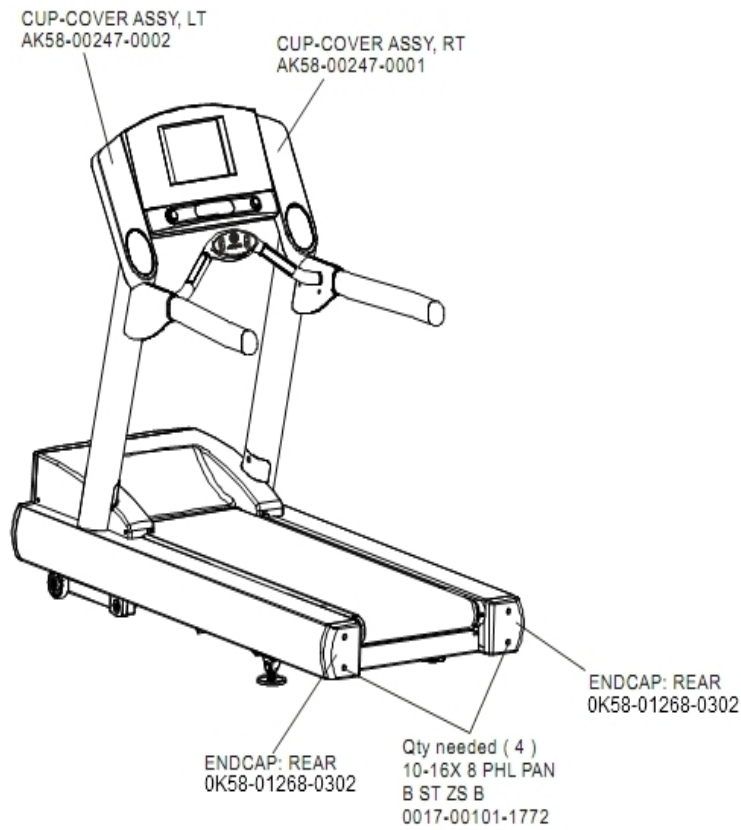
Ref #	Part Number	Qty	Description
-	0017-00003-0781	1	Line Cord: US High Voltage
-	0017-00003-0915	1	Line Cord RT Angle Plug
-	0017-00003-0947	1	Line Cord: 120V; 20A; 12'
-	0017-00003-0974	1	Line Cord: 120V: 8'
-	0017-00003-0980	1	Line Cord: US Low Voltage 144"

On/Off Switch, Access Plate and Grommets



Ref #	Part Number	Qty	Description
-	0017-00101-0162	2	Hardware: Screw 0.375"
-	AK58-00286-0000	1	Access Plate
-	0017-00042-0840	1	Hardware: Push Mount Clip
-	OK60-01193-0000	2	Decal: LF Logo
-	0017-00032-0198	1	On/Off Switch 22A
-	0017-00042-0326	14	Hardware: Plastic Grommet
-	0017-00042-1147	2	Hardware: Nylon Grommet
-	0017-00042-1072	1	Hardware: Wire Clamp - 5/8"

Rear End Caps and Cup Holders



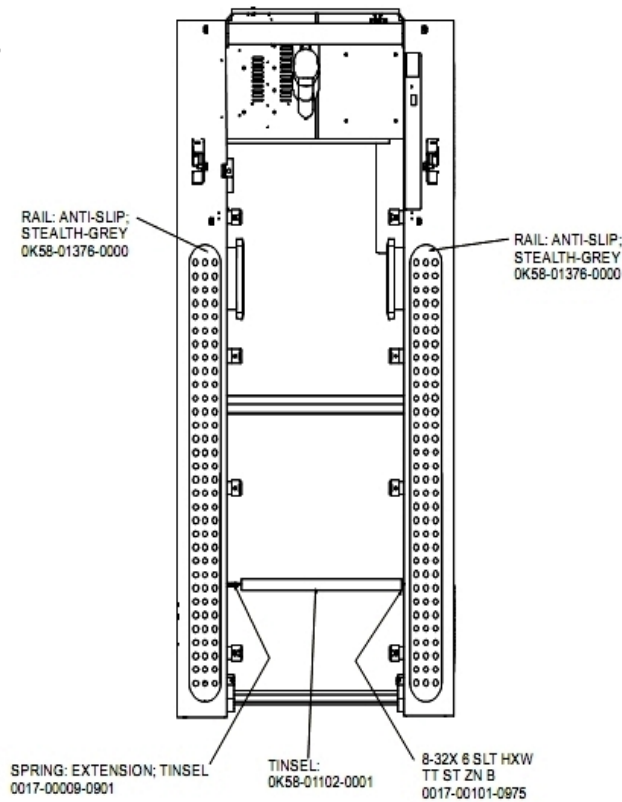
Ref #	Part Number	Qty	Description
-	0K58-01268-0302	2	ENDCAP: REAR; STEALTH D
-	AK58-00247-0002	1	Cup Holder Left
-	0017-00101-1772	4	Hardware: Phillips Pan Screw 0.5"
-	AK58-00247-0001	1	Cup Holder Right

References

Ref #	Part Number	Qty	Description
-	M051-00K58-B128	1	Service Instructions - Roller Guards
-	0017-00008-0204	1	Paint Spray Can - Arctic Silver
-	0017-00042-0840	5	Hardware: Push Mount Clip
-	0017-00101-1770	6	Hardware: Phillips Pan Screw 0.5"
-	0K58-01376-0000	2	Anti-Scuff Pad
-	0017-00101-1772	6	Hardware: Phillips Pan Screw 0.5"
-	0017-00101-1778	4	Hardware: Hex Bolt 1"
-	0017-00008-0206	1	.33oz Pen - Arctic Silver
-	0017-00042-0326	4	Hardware: Plastic Grommet
-	0017-00042-1147	2	Hardware: Nylon Grommet
-	0017-00103-0327	4	Hardware: Hex Nut 5/16" ID
-	0K58-01305-0002	2	Upright Plug
-	0K58-01347-0000	2	ErgoBar Gasket
-	0017-00008-0210	1	Paint: Shadow-Gray Touch Up: .6 OZ Bottle
-	0017-00101-1776	4	Hardware: Mounting Screw 0.5"
-	0017-00104-0325	4	Hardware: Washer 0.873" OD
-	GK58-00002-0096	1	Roller Guard kit
-	0017-00008-0211	1	Paint: Shadow-Gray Touch Up: .6 OZ Bottle
-	0017-00101-1774	4	Hardware: TORX Screw 2.5"
-	0017-00101-1780	8	Hardware: Mounting Screws
-	GK58-00002-0071	1	Anti-Slip Rail

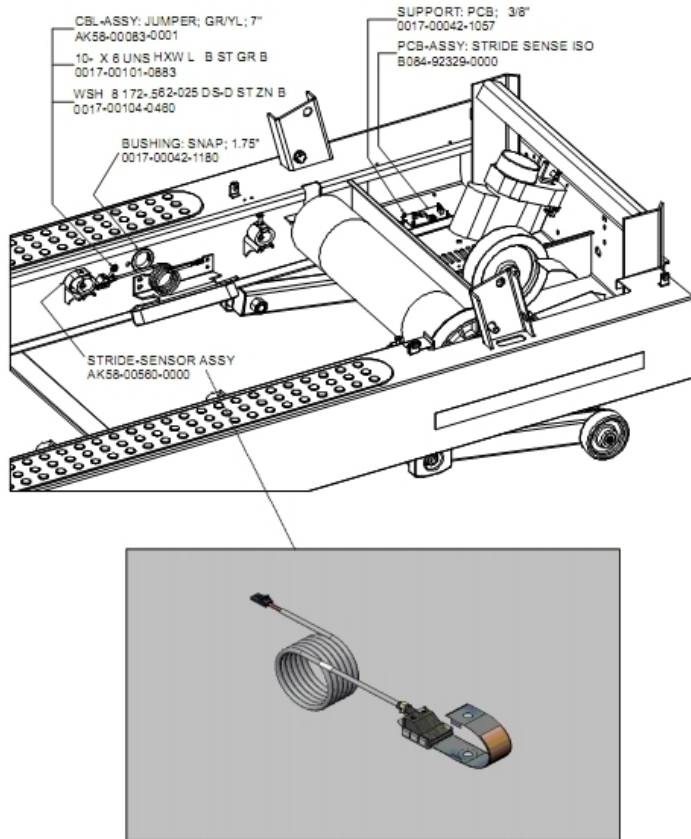
Ref #	Part Number	Qty	Description
-	0K58-01391-0001	1	Rear Roller Guard Right
-	0017-00008-0205	1	5 oz Bottle - Arctic Silver
-	AK58-00226-0000	1	Hardware Bag
-	0K58-01391-0002	1	Rear Roller Guard Left
-	0017-00009-1049	1	Torx Wrench
-	0017-00101-1773	6	Hardware: TORX Screw 0.5"

Scuff Pad and Tinsel



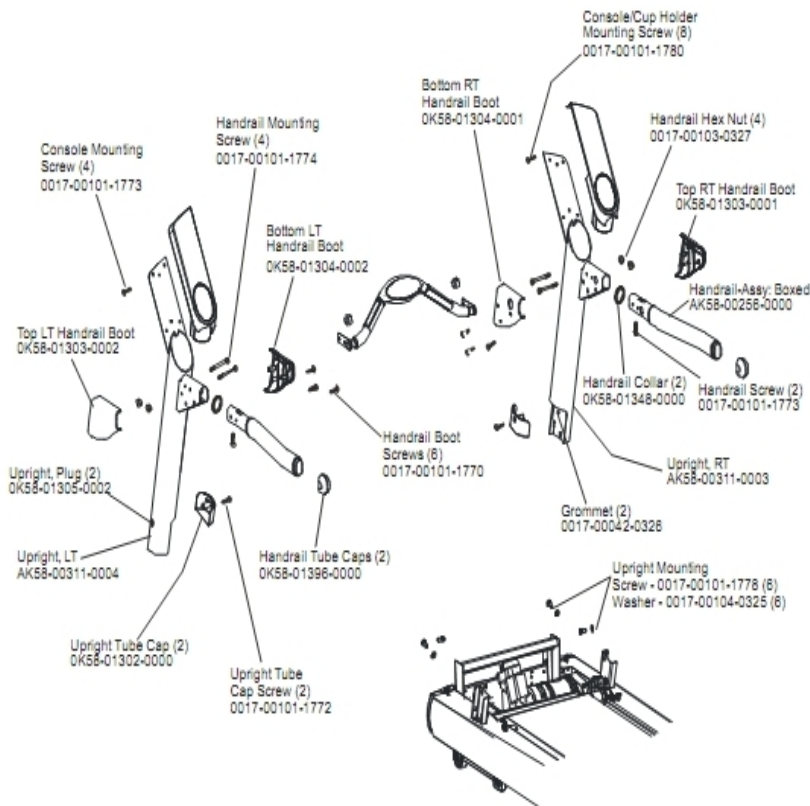
Ref #	Part Number	Qty	Description
-	0017-00009-0901	1	Tinsel Extension Spring
-	OK58-01376-0000	2	Anti-Scuff Pad
-	0017-00101-0975	1	Hardware: Mounting Bolt 0.375"
-	OK58-01102-0001	1	Anti-Static Tinsel

Stride Sensor and Stride Sensor PCB Assembly



Ref #	Part Number	Qty	Description
-	AK58-00560-0000	1	Stride Sensor Assembly
-	0017-00042-1180	1	Hardware: Snap Bushing - 1.75"
-	0017-00101-0883	1	Hardware: Screw 0.375"
-	0017-00042-1057	1	Support: Printed Circuit Board; 3/8"
-	0017-00104-0460	1	Hardware: Lockwasher 0.562" OD
-	B084-92329-0000	1	PCB-ASSY: STRIDE SENSE ISO
-	AK58-00083-0001	1	Jumper Cable Assembly: Green/Yellow - 7"

Uprights and Handrails



Ref #	Part Number	Qty	Description
-	0017-00101-1773	6	Hardware: TORX Screw 0.5"
-	OK58-01348-0000	2	Handrail Collar
-	OK58-01396-0000	2	Endcap
-	OK58-01303-0002	1	Top Left Handrail Boot
-	OK58-01304-0001	1	Bottom Right Handrail Boot
-	OK58-01304-0002	1	Bottom Left Handrail Boot
-	0017-00101-1772	2	Hardware: Phillips Pan Screw 0.5"
-	OK58-01303-0001	1	Top Right Handrail Boot
-	0017-00101-1778	6	Hardware: Hex Bolt 1"
-	0017-00042-0326	2	Hardware: Plastic Grommet
-	0017-00103-0327	4	Hardware: Hex Nut 5/16" ID
-	OK58-01302-0103	2	Cap: Upright Tube; Arctic Silver
-	OK58-01305-0002	2	Upright Plug
-	AK58-00256-0001	1	Handrail
-	AK58-00311-0004	1	Upright: Left
-	0017-00104-0325	6	Hardware: Washer 0.873" OD
-	0017-00101-1774	4	Hardware: TORX Screw 2.5"
-	0017-00101-1780	8	Hardware: Mounting Screws
-	AK58-00311-0003	1	Upright: Right
-	0017-00101-1770	6	Hardware: Phillips Pan Screw 0.5"

