

97Te Treadmill w/Integrated LCD screen - Arctic Silver

97TE-0101-02

Parts Manual

1/5/2019 11:57:51 AM

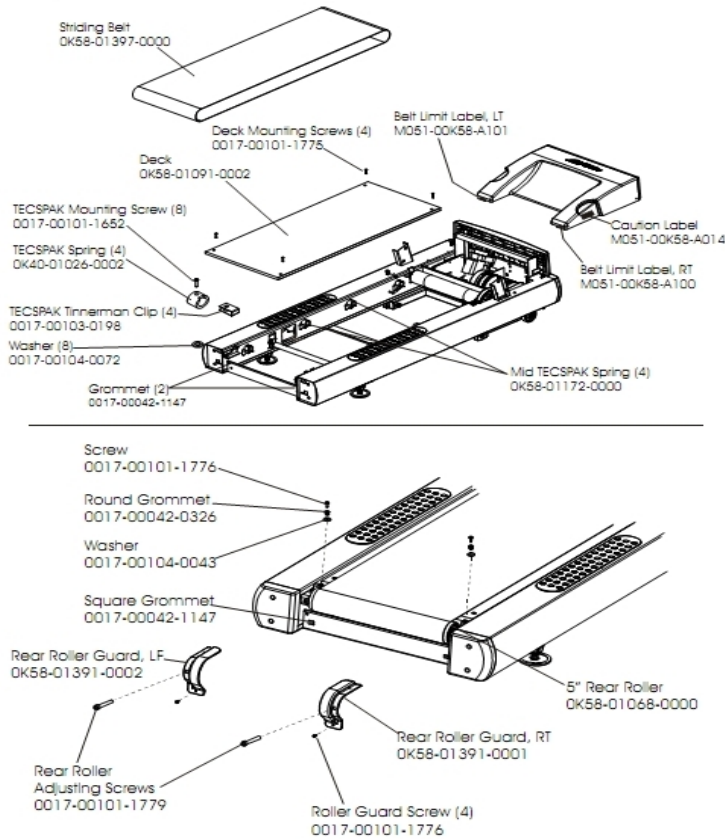


LifeFitness
WHAT WE LIVE FOR

Table of Contents

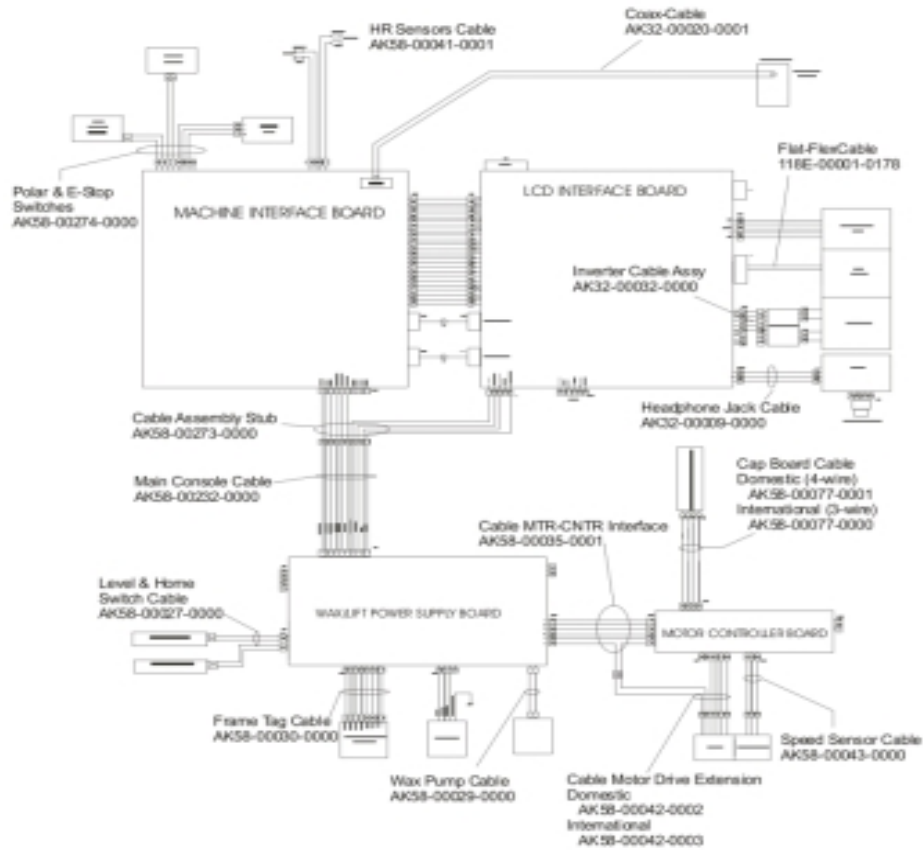
Belt, Deck and Rear Roller	3
Cables	4
Console Assembly	5
Console Components	6
Drive Motor Assembly	7
Ergo Bar with Lifepulse	8
Front Roller Assembly	9
Handrail Assembly	10
Idler Arm Assembly and Static Brush	11
Leveler Assembly	12
Lift Frame and Motor	13
Miscellaneous	15
Motor Controller with Ferrite Assembly	16
Motor Cover, Front Cover and Front End Cap	17
Power Components Schematic 1	18
Power Components Schematic 2	19
Rear End Caps and Cup Holders	20
Scuff Pad, Tinsel, and Frame Tag Board	21
Wax/Lift Assembly	22

Belt, Deck and Rear Roller



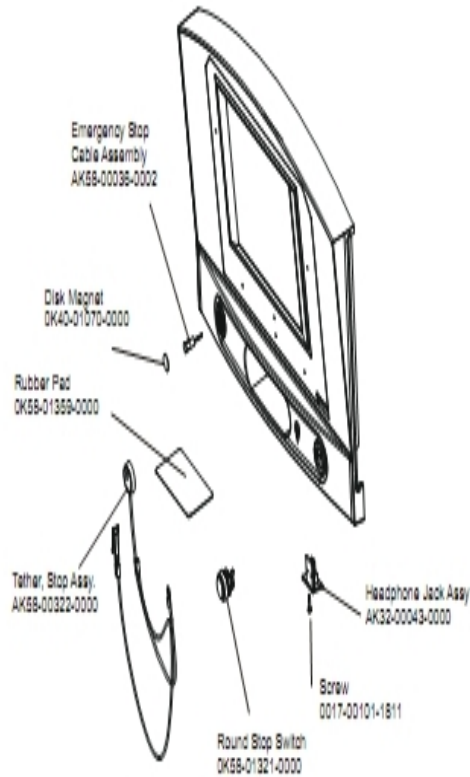
Ref #	Part Number	Qty	Description
-	0017-00101-1775	4	Hardware: Deck Screws 1.25"
-	OK58-01391-0002	1	Rear Roller Guard Left
-	OK58-01397-0000	1	Striding Belt
-	OK65-01263-0000	1	Deck
-	0017-00103-0198	4	Hardware: Tinnerman Clip 1/4" ID
-	0017-00104-0072	8	Hardware: Flat Washer 0.562" OD
-	0017-00101-1779	1	Hardware: Rear Roller Adjusting Bolt
-	OK58-01172-0000	4	TECSPAK Spring
-	0017-00042-0326	1	Hardware: Plastic Grogmet
-	0017-00042-1147	3	Hardware: Nylon Grogmet
-	0017-00101-1652	8	Hardware: Spring Mounting Screw 1"
-	0017-00104-0043	1	Hardware: Flat Washer 0.734" OD
-	OK58-01068-0000	1	Rear Roller - 5"
-	0017-00101-1776	5	Hardware: Mounting Screw 0.5"
-	OK58-01391-0001	1	Rear Roller Guard Right
-	OK40-01026-0002	4	Deck Spring

Cables



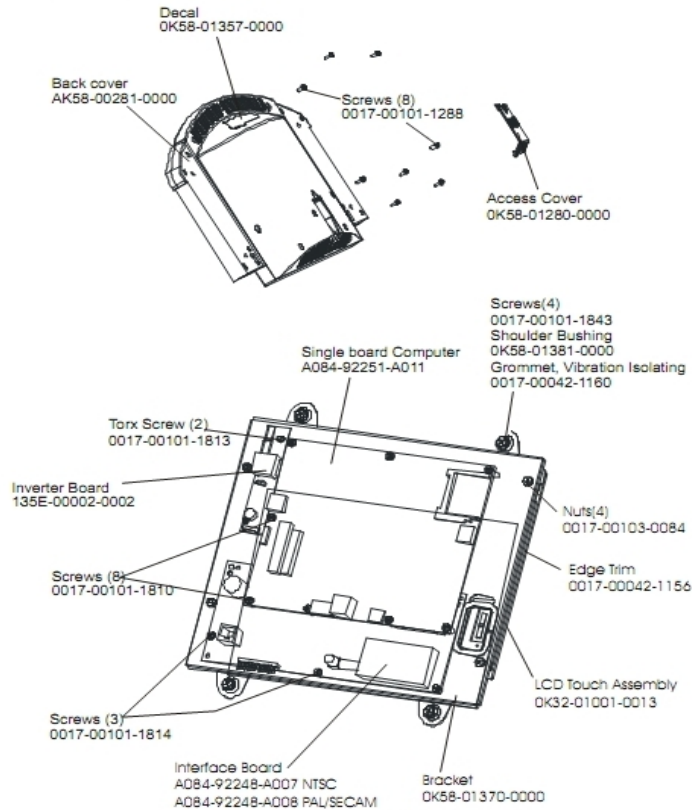
Ref #	Part Number	Qty	Description
-	118E-00001-0178	1	Flat Flex Cable
-	AK32-00009-0000	1	Headphone Jack Cable
-	AK58-00030-0000	1	Frame Tag Cable
-	AK32-00020-0001	1	Coax Cable: 90"
-	AK32-00032-0000	1	Inverter Cable
-	AK58-00041-0001	1	Heart Rate Sensor Cable
-	AK58-00077-0000	1	Cap Board Cable - International
-	AK58-00029-0000	1	Wax Pump Cable
-	AK58-00035-0001	1	Motor Controller Interface Cable
-	AK58-00232-0000	1	Cable-Assembly: Console; Middle
-	AK58-00027-0000	1	Limit Switch Cable
-	AK58-00043-0000	1	Speed Sensor Cable
-	AK58-00042-0003	1	Cable Motor Drive Extension INT
-	AK58-00274-0000	1	Polar and Stop Switches
-	AK58-00273-0001	1	Power Cable

Console Assembly



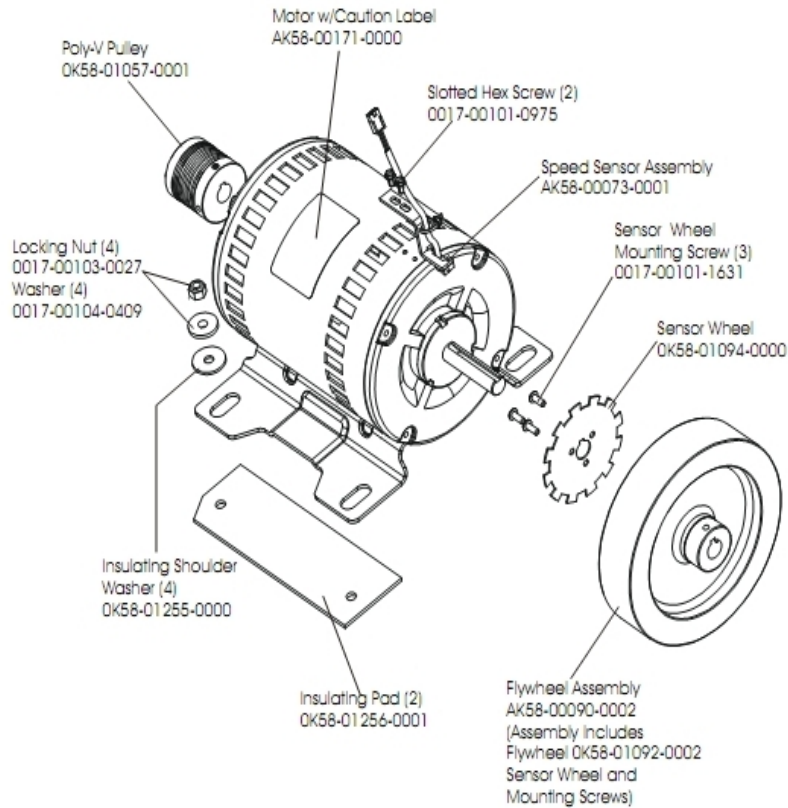
Ref #	Part Number	Qty	Description
-	OK58-01321-0000	1	Stop Switch
-	AK58-00517-0001	1	Bezel Switch with Overlay: English
-	GK58-00002-0104	1	Console with FM English/ PAL
-	AK58-00322-0000	1	Tether Stop Assembly
-	OK40-01070-0000	1	Magnetic Disk
-	AK32-00043-0000	1	Headphone Jack
-	0017-00101-1811	1	Hardware: Phillips Pan Screw 0.625"
-	AK58-00036-0000	1	Cable-Assembly: Emergency-Stop Switch
-	OK58-01359-0000	1	Rubber Pad

Console Components



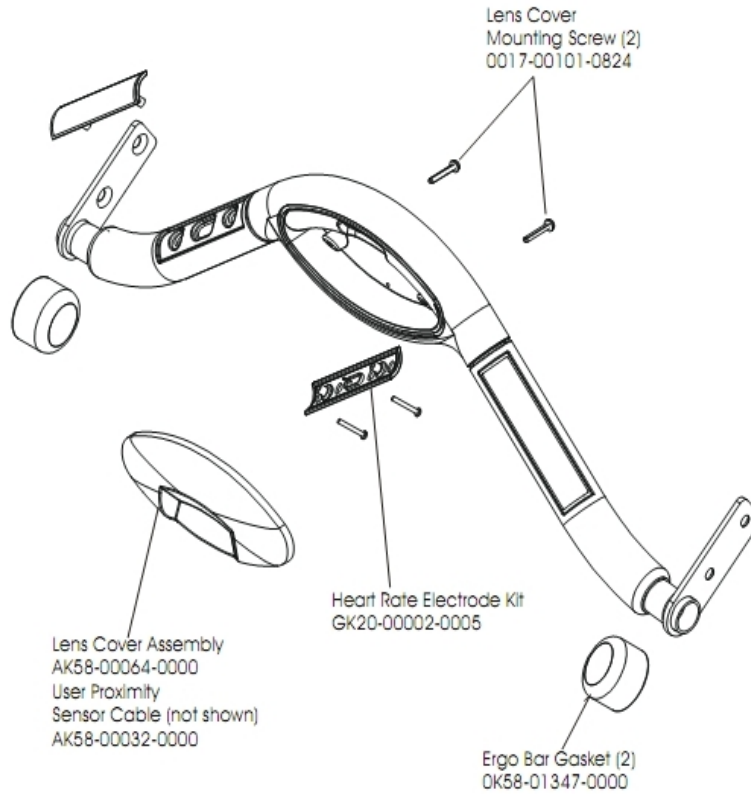
Ref #	Part Number	Qty	Description
-	0017-00101-1810	8	Hardware: Screw
-	GK32-00002-0004	1	Inverter Board
-	OK58-01381-0000	1	Shoulder Bushing
-	OK58-01357-0000	1	Decal
-	0017-00101-1814	3	Hardware: Screw
-	0017-00101-1288	8	Hardware: Phillips Screw 0.5"
-	0017-00103-0084	4	Hardware: Nut
-	AK58-00281-0000	1	Console Back Cover
-	OK58-01280-0000	1	Accessory Cover
-	OK32-01001-0013	1	LCD Touchscreen Assembly
-	OK32-01001-0013	1	LCD Touchscreen Assembly
-	OK32-01001-0013	1	LCD Touchscreen Assembly
-	OK32-01001-0013	1	LCD Touchscreen Assembly
-	0017-00101-1813	2	Hardware: Inverter Board Screw
-	A084-92248-A008	1	Interface Board PAL
-	0017-00042-1156	1	Edge Trim
-	A084-92251-A011	1	Single Board Computer
-	0017-00101-1843	4	Hardware: Screw
-	OK58-01370-0000	1	Bracket
-	0017-00042-1160	1	Grommet

Drive Motor Assembly



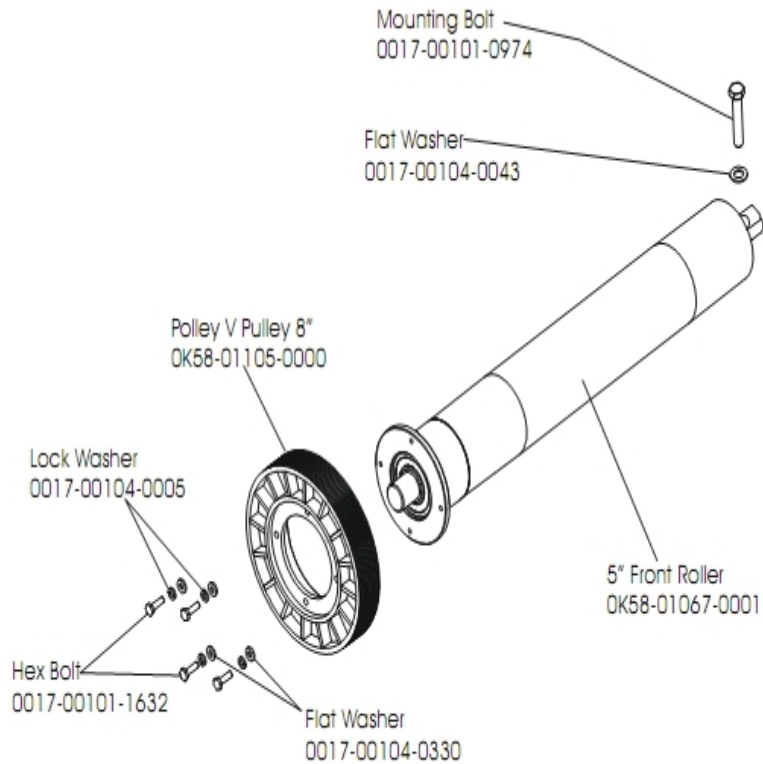
Ref #	Part Number	Qty	Description
-	0017-00101-0975	2	Hardware: Mounting Bolt 0.375"
-	0017-00103-0027	4	Hardware: Locking Nut. 5/16" ID
-	OK58-01057-0001	1	Drive Pulley - 1.971"
-	AK58-00171-0000	2	Motor with Caution Label
-	OK58-01255-0000	4	Hardware: Insulating Washers
-	0017-00104-0409	4	Hardware: Washer 1.125" OD
-	OK58-01094-0000	1	Sensor Wheel
-	AK58-00090-0002	1	Flywheel Assembly
-	OK58-01256-0001	2	Insulating Pad
-	0017-00101-1631	3	Hardware: Sensor Wheel Mounting Screw
-	AK58-00073-0001	1	Speed Sensor Assembly

Ergo Bar with Lifepulse



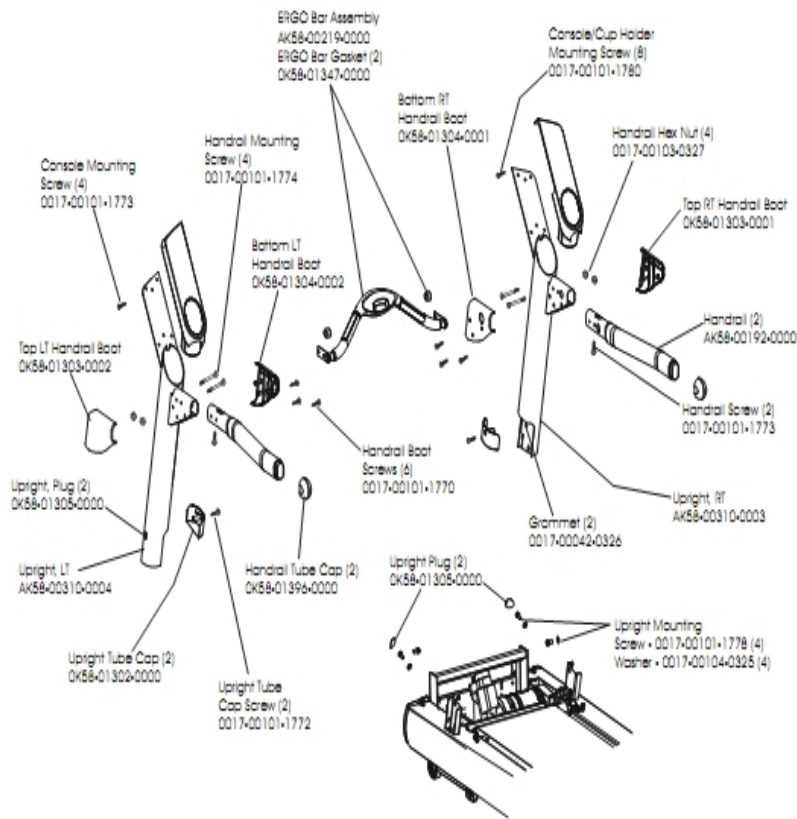
Ref #	Part Number	Qty	Description
-	AK58-00064-0000	1	I/R Lens Cover Assembly
-	GK20-00002-0005	1	Heart Rate Electrode Kit
-	0017-00101-0824	2	Hardware: Screw 1.125"
-	AK58-00032-0000	1	User Proximity Sensor Cable
-	0K58-01347-0000	2	ErgoBar Gasket

Front Roller Assembly



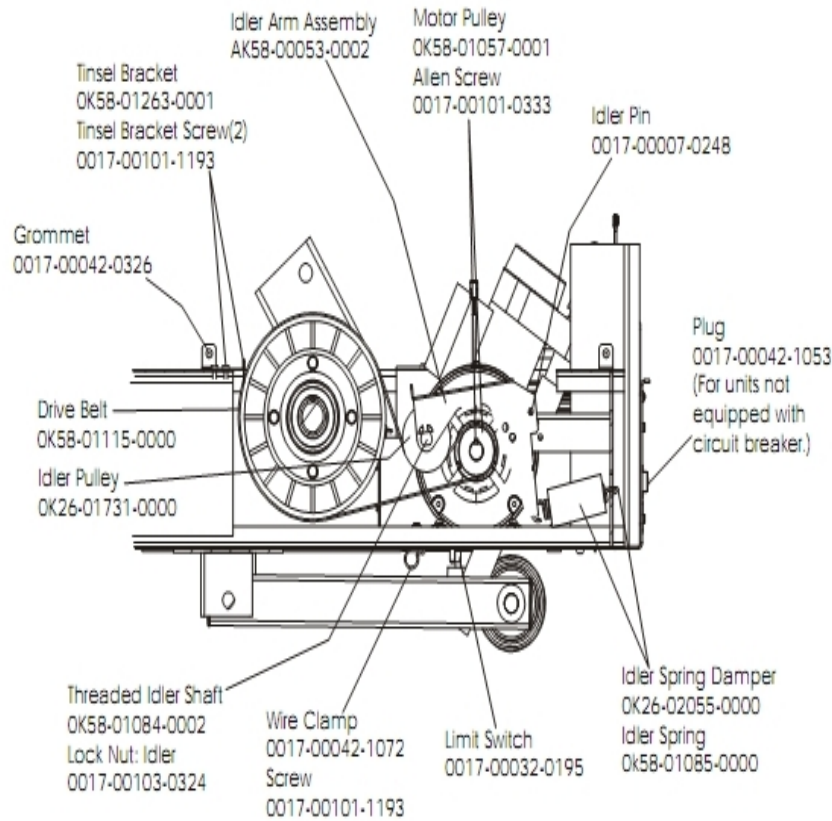
Ref #	Part Number	Qty	Description
-	0017-00101-0974	1	Hardware: Mounting Bolt 2"
-	0017-00101-1632	1	Hardware: Hex Bolt 0.875"
-	OK58-01105-0000	1	Drive Pulley Poly V - 8"
-	OK58-01067-0001	1	Front Roller - 5"
-	0017-00104-0005	1	Hardware: Lock Washer 0.489" OD
-	0017-00104-0330	1	Hardware: Flat Washers 0.562" OD
-	AK58-00067-0000	1	Front Roller Assembly
-	0017-00104-0043	1	Hardware: Flat Washer 0.734" OD

Handrail Assembly



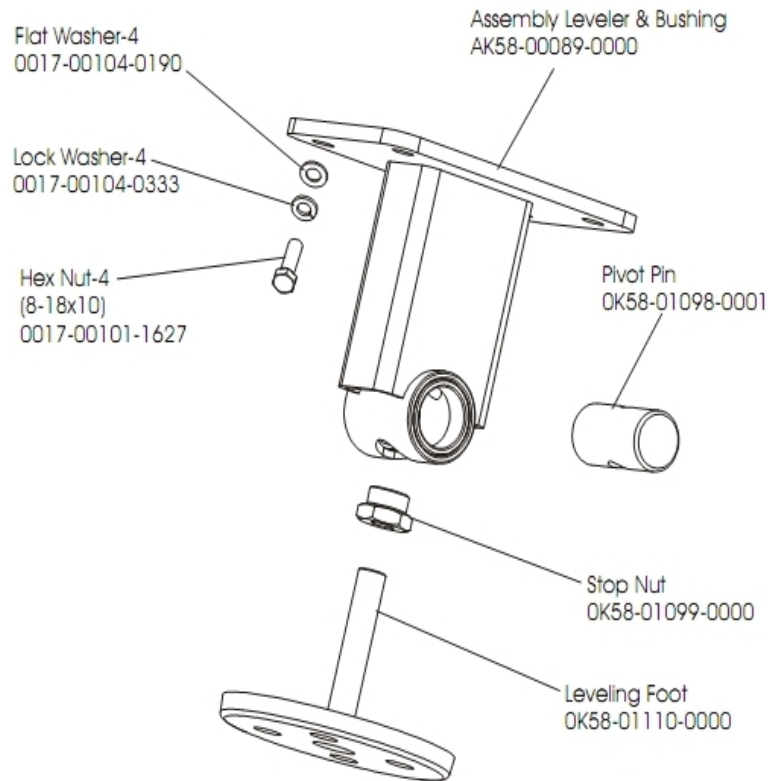
Ref #	Part Number	Qty	Description
-	0017-00101-1773	6	Hardware: TORX Screw 0.5"
-	0017-00101-1770	6	Hardware: Phillips Pan Screw 0.5"
-	OK58-01396-0000	2	Endcap
-	OK58-01303-0002	1	Top Left Handrail Boot
-	OK58-01304-0001	1	Bottom Right Handrail Boot
-	OK58-01304-0002	1	Bottom Left Handrail Boot
-	AK58-00219-0000	1	Ergo Bar with Heart Rate Sensors
-	0017-00101-1772	2	Hardware: Phillips Pan Screw 0.5"
-	OK58-01303-0001	1	Top Right Handrail Boot
-	OK58-01347-0000	2	ErgoBar Gasket
-	0017-00042-0326	2	Hardware: Plastic Grommet
-	0017-00103-0327	4	Hardware: Hex Nut 5/16" ID
-	OK58-01302-0103	2	Cap: Upright Tube; Arctic Silver
-	OK58-01305-0002	4	Upright Plug
-	AK58-00256-0001	2	Handrail
-	AK58-00311-0004	1	Upright: Left
-	0017-00101-1778	4	Hardware: Hex Bolt 1"
-	AK58-00310-0003	1	Upright: Right
-	0017-00104-0325	4	Hardware: Washer 0.873" OD
-	0017-00101-1774	4	Hardware: TORX Screw 2.5"
-	0017-00101-1780	8	Hardware: Mounting Screws

Idler Arm Assembly and Static Brush



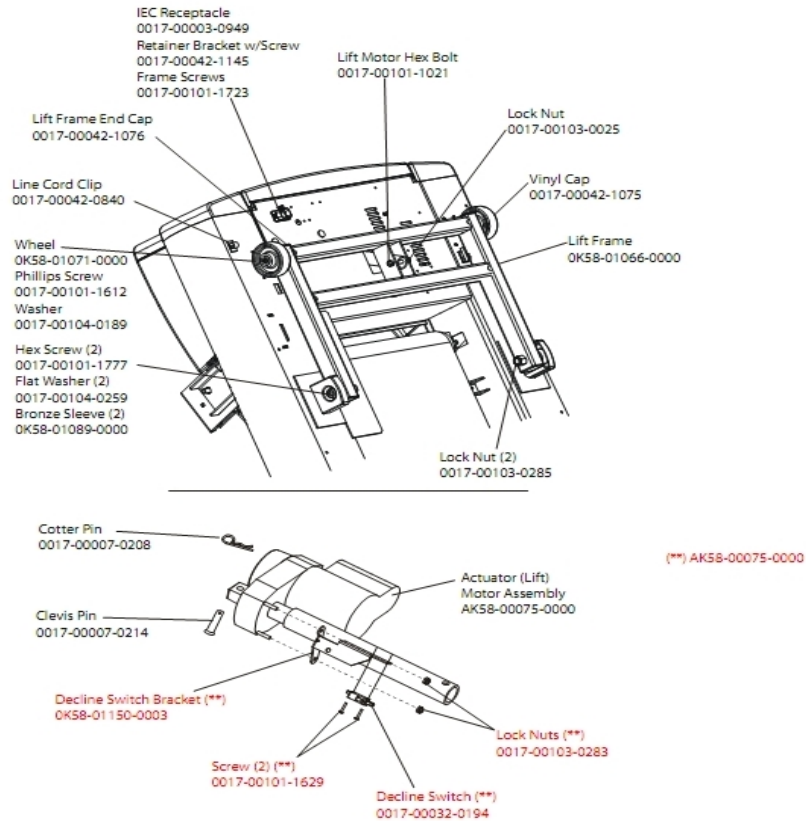
Ref #	Part Number	Qty	Description
-	OK58-01057-0001	1	Drive Pulley - 1.971"
-	OK58-01263-0001	1	Tinsel Bracket
-	0017-00042-1053	1	Plug (For units not equipped with circuit breaker.)
-	0017-00103-0324	1	Hardware: Thin Lock Nut 3/8" ID
-	OK26-01731-0000	1	Plastic Idler 2 5/8" OD
-	OK26-02055-0000	1	Spring Damper
-	0017-00032-0195	1	Home Switch
-	0017-00042-1072	1	Hardware: Wire Clamp - 5/8"
-	0017-00007-0248	1	Hardware: Locking Pin .31" D 2.125" L
-	0017-00042-0326	1	Hardware: Plastic Grommet
-	0017-00101-1193	3	Hardware: Screw 0.375"
-	OK58-01084-0002	1	Threaded Shaft
-	0017-00101-0333	1	Hardware: Screw 0.3125"
-	AK58-00053-0002	1	Idler Arm Assembly
-	OK58-01085-0000	1	Extension Spring
-	GK58-00002-0129	1	KIT: TREADMILL BELT AND PULLEY

Leveler Assembly



Ref #	Part Number	Qty	Description
-	0017-00101-1627	8	Hardware: Hex Nut
-	AK58-00089-0000	2	Bracket Leveler
-	0017-00104-0190	8	Hardware: Flat Washer 0.734" OD
-	OK58-01110-0000	2	Leveler Foot
-	OK58-01099-0000	2	Hardware: Stop Nut
-	0017-00104-0333	8	Hardware: Washer 0.683" OD
-	AK58-00464-0000	2	Leveler Assembly
-	OK58-01098-0001	2	Hardware: Pivot Pin

Lift Frame and Motor



Ref #	Part Number	Qty	Description
-	0017-00042-1076	1	Lift Frame End Cap
-	0017-00103-0285	2	Hardware: Nut 5/8" ID
-	0017-00007-0208	1	Hardware: Cotter Pin
-	0017-00101-1629	2	Hardware: Phillips Pan Screw 0.625"
-	0017-00101-1777	2	Hardware: Lift Frame Mounting Bolt 2.75"
-	0017-00104-0189	1	Hardware: Flat Washer 1" OD
-	0K58-01150-0003	1	Decline Switch Bracket
-	0017-00101-1723	1	Hardware: Phillips Pan Screw 0.375"
-	0017-00032-0194	1	Mini Switch; SPDT
-	0017-00042-1145	1	Power Cord Retainer
-	0017-00101-1021	1	Hardware: Lift Motor Hex Bolt 2.5"
-	0017-00103-0025	1	Hardware: Locking Nut 3/8" ID
-	0017-00104-0259	2	Hardware: Washer 1.331" OD
-	0017-00003-0949	1	IEC Receptacle
-	AK58-00220-0000	1	LIFT-FRAME ASSY: MFG. C
-	AK58-00075-0000	2	Lift Motor Bracket Assembly
-	0K58-01089-0000	2	Bronze Sleeve Bushings
-	0017-00042-0840	1	Hardware: Push Mount Clip
-	0K58-01071-0000	1	Wheel
-	0017-00101-1612	1	Hardware: Phillips Screw 0.5"
-	0017-00103-0283	1	Hardware: Locking Nut ID

Ref #	Part Number	Qty	Description
-	0017-00007-0214	1	Hardware: Clevis Pin 3/8" D 1.75" L
-	0017-00042-1075	1	Vinyl Cap

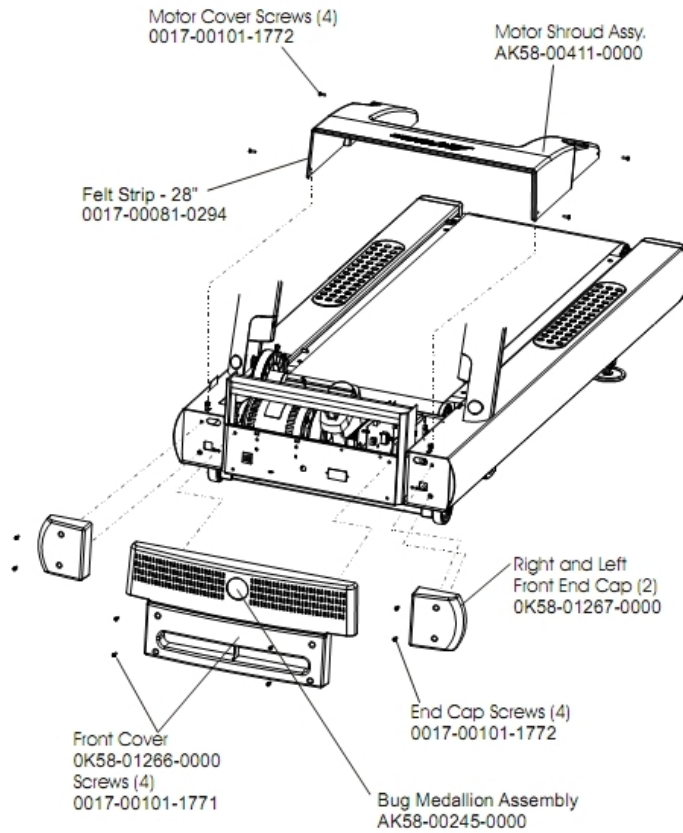
Miscellaneous

Ref #	Part Number	Qty	Description
-	0017-00008-0204	1	Paint Spray Can - Arctic Silver
-	0017-00008-0205	1	5 oz Bottle - Arctic Silver
-	AK58-00226-0000	1	Hardware Bag
-	0017-00008-0206	1	.33oz Pen - Arctic Silver

Motor Controller with Ferrite Assembly

Ref #	Part Number	Qty	Description
-	GK65-00002-0019	1	Motor Controller Assembly (200-240V)

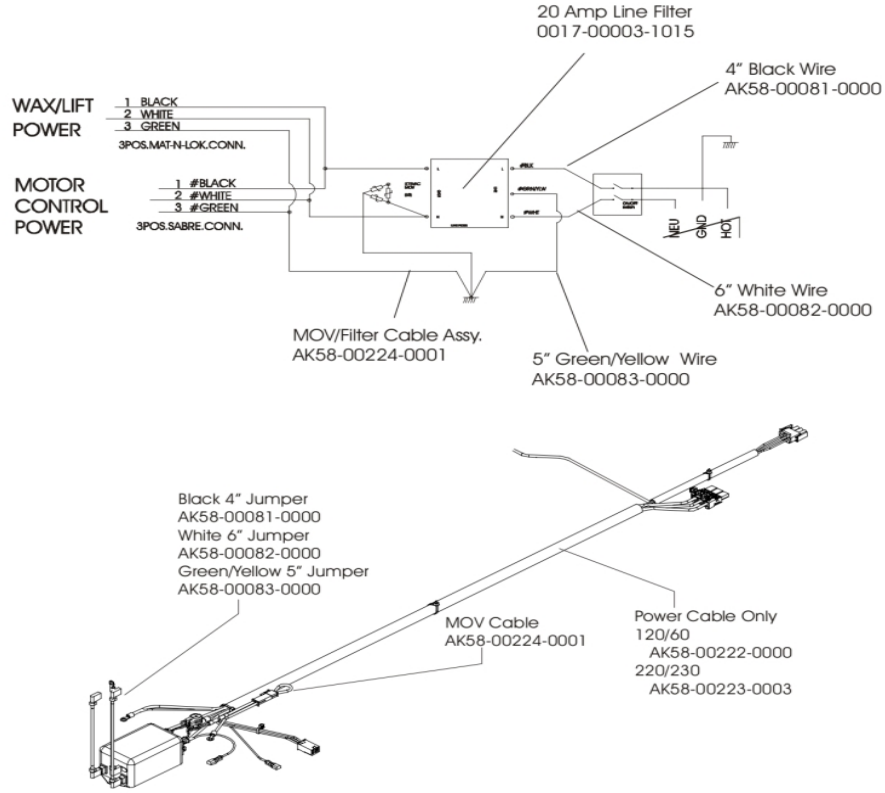
Motor Cover, Front Cover and Front End Cap



Ref #	Part Number	Qty	Description
-	OK58-01267-0000	2	End Cap
-	OK58-01266-0000	1	Front Cover
-	0017-00101-1771	4	Hardware: Phillips Pan Screw
-	0017-00081-0294	1	Felt Strip - 28"
-	0017-00101-1772	8	Hardware: Phillips Pan Screw 0.5"
-	AK58-00411-0000	1	Motor Shroud Assembly
-	AK58-00245-0000	1	Bug Medallion

Power Components Schematic 1

120V DOMESTIC
ONLY

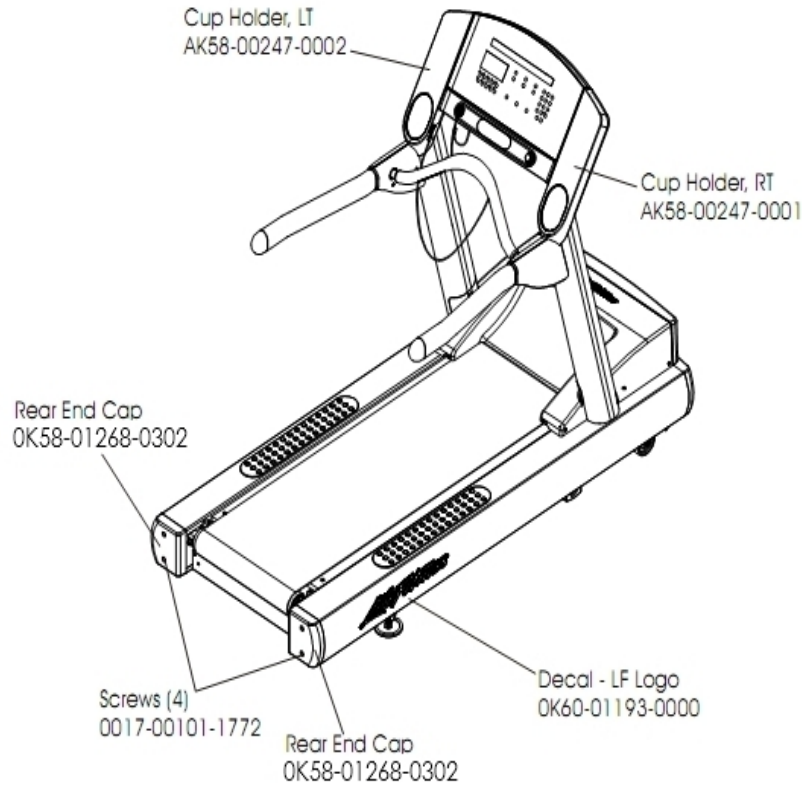


Ref #	Part Number	Qty	Description
-	AK58-00082-0000	2	Jumper Cable Assembly: White - 6"
-	0017-00003-1015	1	20 amp Line Filter (DOM)
-	0017-00003-0696	1	Line Cord: International High Voltage (Cont.) 103"
-	AK58-00083-0000	2	Cable Assembly
-	AK58-00223-0003	2	Power Cable Assembly 220-230V
-	AK58-00081-0000	2	Jumper Cable Assembly: Black - 4"
-	0017-00003-0948	1	12' 220v Line Cord
-	AK58-00224-0001	2	Cable: MOV; Fliter
-	0017-00003-0915	1	Line Cord RT Angle Plug

Power Components Schematic 2

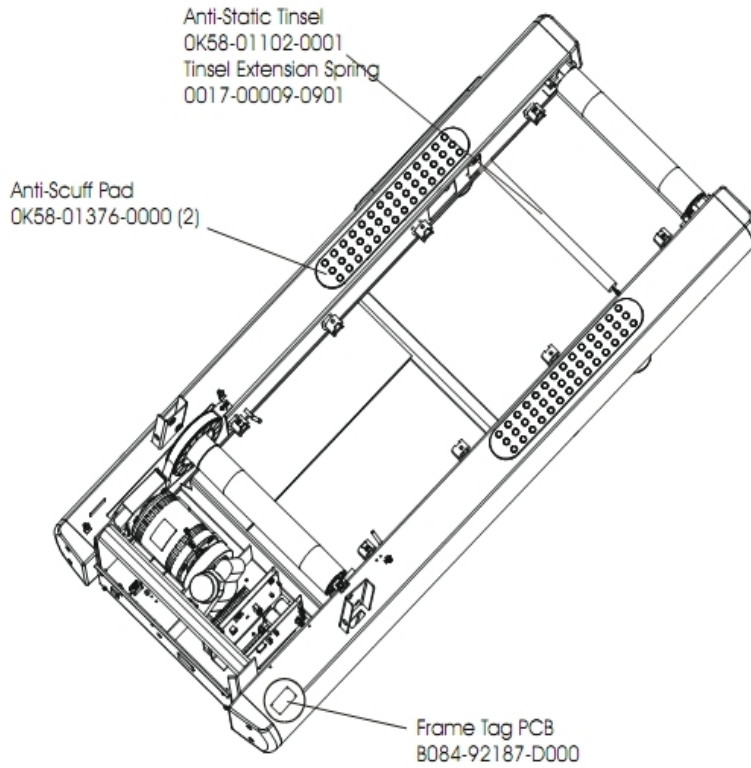
Ref #	Part Number	Qty	Description
-	AK58-00083-0000	1	Cable Assembly
-	0017-00003-0915	1	Line Cord RT Angle Plug
-	AK58-00224-0001	1	Cable: MOV; Fliter
-	AK58-00223-0003	2	Power Cable Assembly 220-230V
-	AK58-00210-0000	1	Transformer-Bracket Assembly
-	0017-00032-0198	1	On/Off Switch 22A
-	0017-00003-1015	1	20 amp Line Filter (DOM)
-	0017-00003-0696	1	Line Cord: International High Voltage (Cont.) 103"
-	AK58-00081-0000	1	Jumper Cable Assembly: Black - 4"
-	AK58-00082-0000	1	Jumper Cable Assembly: White - 6"
-	0017-00003-0948	1	12' 220v Line Cord

Rear End Caps and Cup Holders



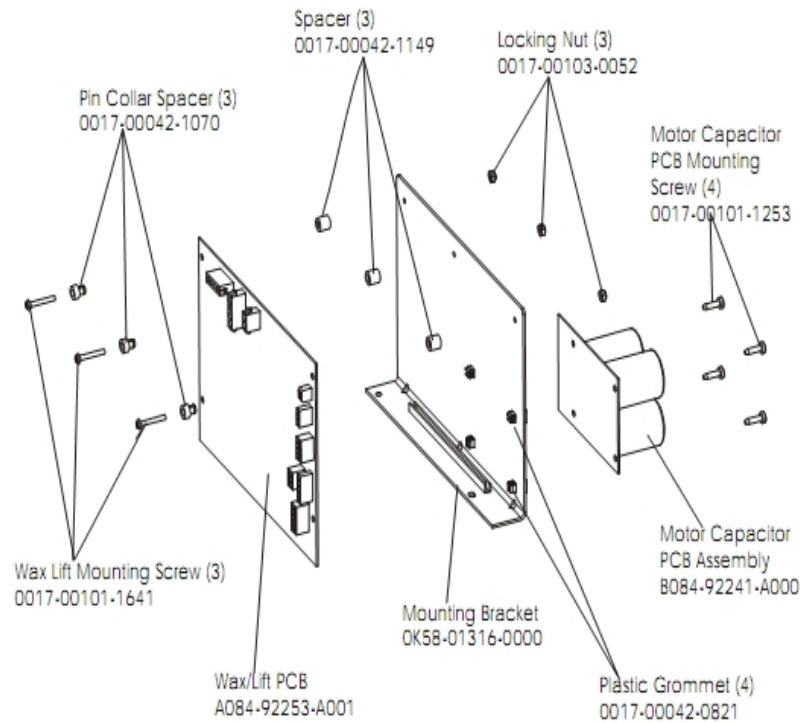
Ref #	Part Number	Qty	Description
-	OK58-01268-0302	2	ENDCAP: REAR; STEALTH D
-	0017-00101-1772	4	Hardware: Phillips Pan Screw 0.5"
-	AK58-00247-0002	1	Cup Holder Left
-	AK58-00247-0001	1	Cup Holder Right
-	OK60-01193-0000	2	Decal: LF Logo

Scuff Pad, Tinsel, and Frame Tag Board



Ref #	Part Number	Qty	Description
-	OK58-01376-0000	2	Anti-Scuff Pad
-	0017-00009-0901	1	Tinsel Extension Spring
-	OK58-01102-0001	1	Anti-Static Tinsel
-	B084-92187-D000	1	Frame Tag PCB

Wax/Lift Assembly



Ref #	Part Number	Qty	Description
-	0017-00101-1641	3	Hardware: Phillips Pan Screw
-	0017-00101-1253	4	Hardware: Screw
-	B084-92241-A000	1	Motor Capacitor PCB Assembly
-	0017-00042-0821	4	Hardware: Plastic Grommet
-	0017-00042-1070	3	Pin Collar Spacer
-	OK58-01316-0000	1	Mounting Bracket
-	AK58-00296-0001	1	Programmed Circuit Board: Wax-Lift Assembly
-	0017-00103-0052	3	Hardware: Locking Nut ID
-	A084-92253-A002	1	Wax/Lift PCB
-	0017-00042-1149	3	Spacer

