

# 97Te Treadmill - English/Metric 230/50 CON PAL

97TE-0101-07

## Parts Manual

1/5/2019 11:57:51 AM



*LifeFitness*  
WHAT WE LIVE FOR

**Table of Contents**

---

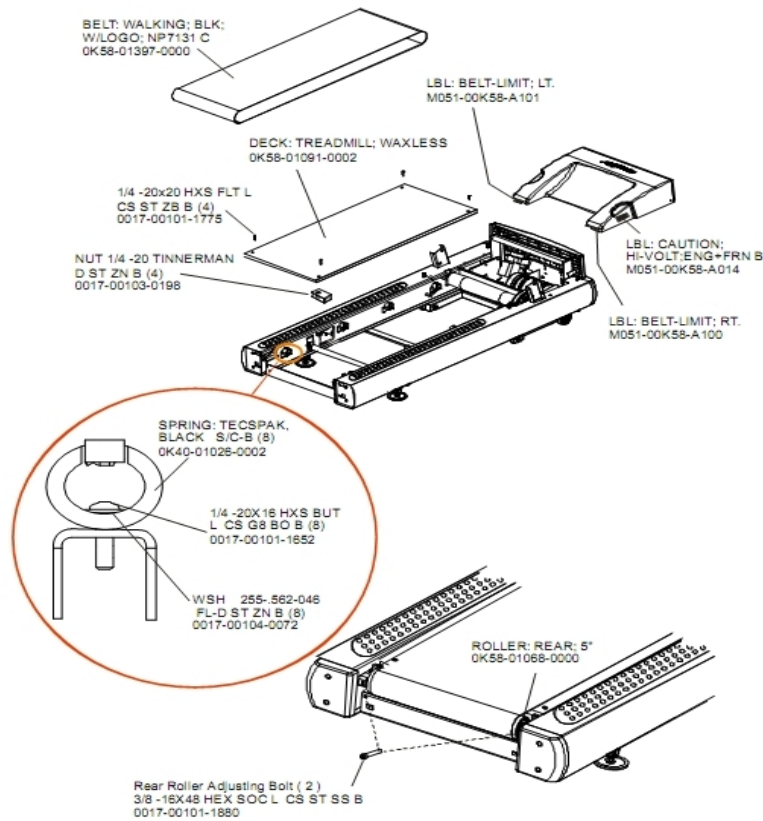
<a href="#">A-Z Module with Overlay Assembly.....</a>	<a href="#">3</a>
<a href="#">Belt, Deck, and Rear Roller.....</a>	<a href="#">4</a>
<a href="#">Cables.....</a>	<a href="#">5</a>
<a href="#">Console Components 1.....</a>	<a href="#">7</a>
<a href="#">Console Components 2.....</a>	<a href="#">8</a>
<a href="#">Console, Overlay Assembly and Overlay.....</a>	<a href="#">9</a>
<a href="#">Drive Motor Assembly.....</a>	<a href="#">10</a>
<a href="#">DSP Controller Assembly.....</a>	<a href="#">11</a>
<a href="#">Ergo Bar, Heart Rate Sensors and Activity Zone.....</a>	<a href="#">12</a>
<a href="#">Front Roller Assembly.....</a>	<a href="#">13</a>
<a href="#">Idler Arm Assembly.....</a>	<a href="#">14</a>
<a href="#">Leg Leveler Assembly.....</a>	<a href="#">15</a>
<a href="#">Lift Frame and Receptacle Assembly.....</a>	<a href="#">16</a>
<a href="#">Lift Motor Assembly.....</a>	<a href="#">17</a>
<a href="#">Line Cords and Line Cord Options.....</a>	<a href="#">18</a>
<a href="#">Motor Cover, Front Cover and End Caps.....</a>	<a href="#">19</a>
<a href="#">On/Off Switch, Access Plate and Grommets.....</a>	<a href="#">20</a>
<a href="#">Rear End Caps and Cup Holders.....</a>	<a href="#">21</a>
<a href="#">References.....</a>	<a href="#">22</a>
<a href="#">Scuff Pad and Tinsel.....</a>	<a href="#">24</a>
<a href="#">Stride Sensor and Stride Sensor PCB Assembly.....</a>	<a href="#">25</a>
<a href="#">Uprights and Handrails.....</a>	<a href="#">26</a>

## A-Z Module with Overlay Assembly

---

Ref #	Part Number	Qty	Description
-	0K58-01461-0001	1	Activity Zone Overlay English/Metric
-	AK58-00556-0002	1	Activity Zone Assembly: English/Metric

**Belt, Deck, and Rear Roller**



Ref #	Part Number	Qty	Description
-	0017-00101-1775	4	Hardware: Deck Screws 1.25"
-	0K40-01026-0002	8	Deck Spring
-	0K58-01397-0000	1	Striding Belt
-	0K65-01263-0000	1	Deck
-	0017-00103-0198	4	Hardware: Tinnerman Clip 1/4" ID
-	M051-00K58-A101	1	Belt Limit Label. Left
-	M051-00K58-A100	1	Label: Belt Limit: Right
-	0K58-01068-0000	1	Rear Roller - 5"
-	M051-00K58-A014	1	Label: Caution
-	0017-00101-1652	8	Hardware: Spring Mounting Screw 1"
-	0017-00101-1880	2	Hardware: Tension Bolts 3"
-	0017-00104-0072	8	Hardware: Flat Washer 0.562" OD

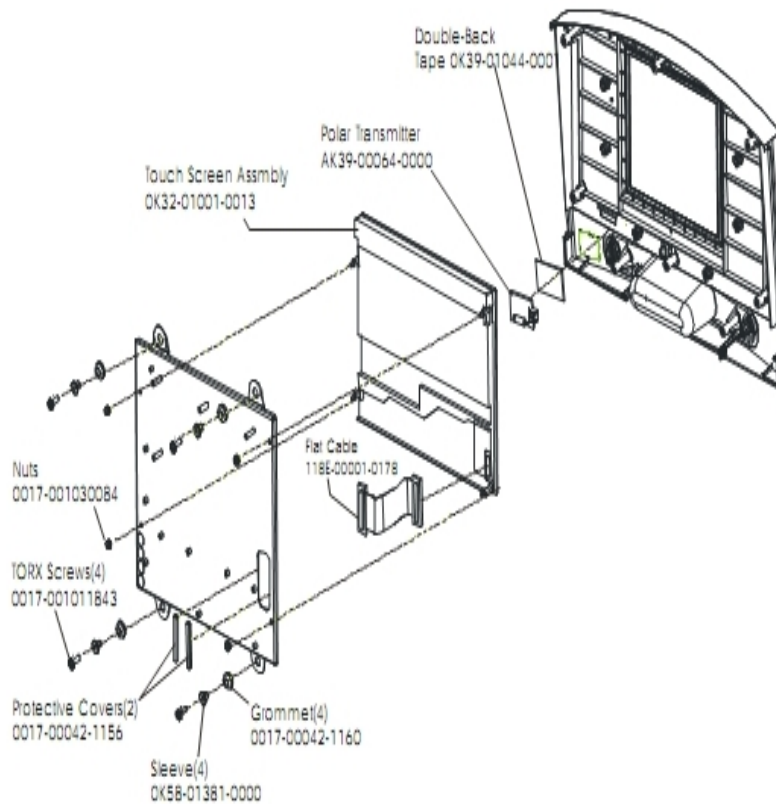
## Cables

---

Ref #	Part Number	Qty	Description
-	AK58-00273-0001	1	Power Cable
-	AK58-00082-0000	1	Jumper Cable Assembly: White - 6"
-	0017-00003-0898	1	10 amp Line Filter (INT)
-	AK58-00597-0000	1	Cable Extension ISO Sensor
-	AK58-00083-0000	1	Cable Assembly
-	118E-00001-0178	1	Flat Flex Cable
-	AK58-00598-0000	1	Cable: ISO Power
-	AK58-00210-0000	1	Transformer-Bracket Assembly
-	AK58-00032-0000	1	User Proximity Sensor Cable
-	AK32-00019-0001	1	Ethernet Cable
-	AK32-00009-0000	1	Headphone Jack Cable
-	AK58-00596-0001	1	Power Cable: 230-240V
-	AK58-00224-0001	1	Cable: MOV; Fliter
-	AK58-00083-0001	1	Jumper Cable Assembly: Green/Yellow - 7"
-	AK58-00036-0000	1	Cable-Assembly: Emergency-Stop Switch
-	0017-00003-0626	1	CIRCUIT-BREAKER:2A 200-240V
-	AK58-00565-0000	1	Cable Extension: 230/50V
-	AK58-00027-0001	1	Cable Assy: 230V
-	AK58-00081-0000	1	Jumper Cable Assembly: Black - 4"
-	AK58-00263-0000	1	Hi-Pot Jumper Cable
-	AK58-00523-0000	1	Cable: Jumper; Power; LCD Console
-	AK58-00041-0001	1	Heart Rate Sensor Cable

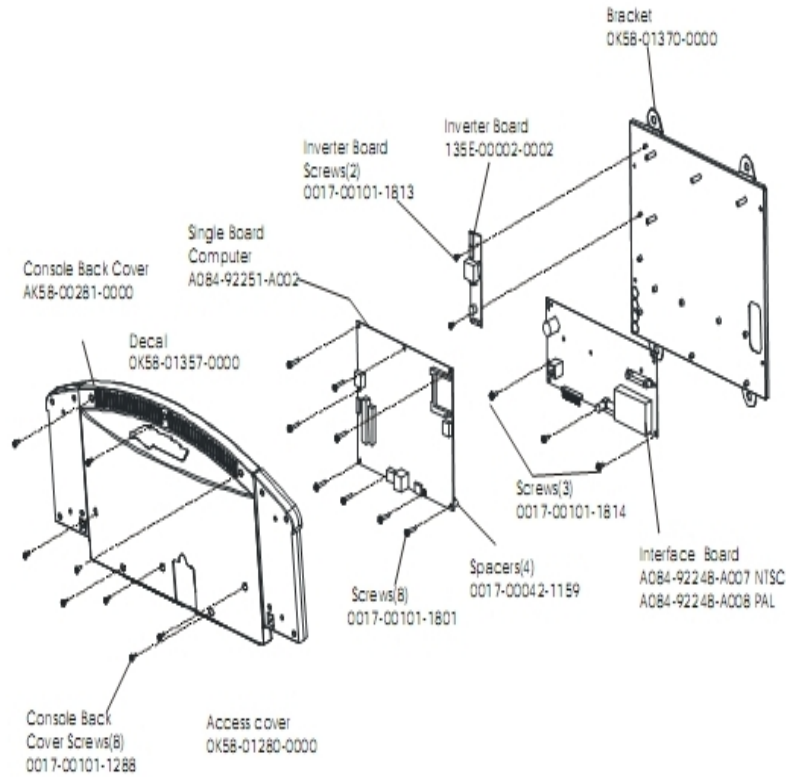
Ref #	Part Number	Qty	Description
-	AK58-00524-0000	1	Cable: Thermal Adapter
-	AK58-00232-0000	1	Cable-Assembly: Console; Middle
-	AK32-00020-0001	1	Coax Cable: 90"
-	AK58-00274-0001	1	Polar and Stop Switches: 19.5"

# Console Components 1



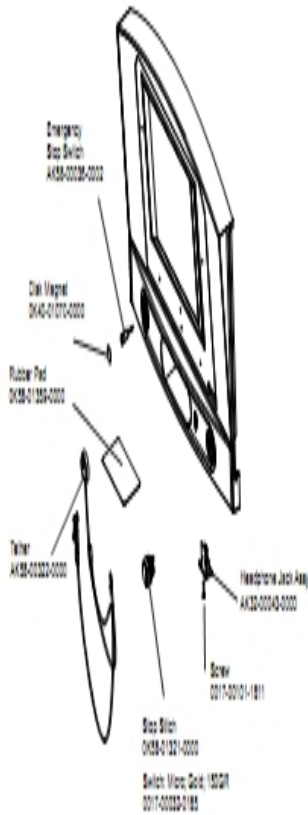
Ref #	Part Number	Qty	Description
-	0017-00042-1156	2	Edge Trim
-	118E-00001-0259	1	Wireless Receiver Module, Non-Coded
-	OK32-01001-0013	1	LCD Touchscreen Assembly
-	OK58-01381-0000	4	Shoulder Bushing
-	OK39-01044-0001	1	Double-sided Tape
-	OK32-01001-0013	1	LCD Touchscreen Assembly
-	0017-00042-1160	4	Grommet
-	0017-00103-0084	4	Hardware: Nut
-	0017-00101-1843	4	Hardware: Screw
-	OK32-01001-0013	1	LCD Touchscreen Assembly
-	OK32-01001-0013	1	LCD Touchscreen Assembly
-	118E-00001-0178	1	Flat Flex Cable

## Console Components 2



Ref #	Part Number	Qty	Description
-	AK58-00281-0000	1	Console Back Cover
-	OK58-01280-0000	1	Accessory Cover
-	0017-00101-1813	2	Hardware: Inverter Board Screw
-	0017-00101-1801	8	Hardware: Screw
-	A084-92251-A002	1	Single Board Computer
-	0017-00101-1814	3	Hardware: Screw
-	OK58-01357-0000	1	Decal
-	0017-00042-1159	4	Spacers
-	GK32-00002-0004	1	Inverter Board
-	0017-00101-1288	8	Hardware: Phillips Screw 0.5"
-	OK58-01370-0000	1	Bracket
-	A084-92248-A008	1	Interface Board PAL

## Console, Overlay Assembly and Overlay



Ref #	Part Number	Qty	Description
-	0K58-01321-0000	1	Stop Switch
-	0017-00101-1811	1	Hardware: Phillips Pan Screw 0.625"
-	0017-00032-0185	1	Micro Switch 150GR
-	AK58-00517-0001	1	Bezel Switch with Overlay: English
-	GK58-00002-0104	1	Console with FM English/ PAL
-	0K58-01377-0001	1	Overlay English NTSC
-	AK58-00322-0000	1	Tether Stop Assembly
-	AK58-00036-0000	1	Cable-Assembly: Emergency-Stop Switch
-	0K40-01070-0000	1	Magnetic Disk
-	AK32-00043-0000	1	Headphone Jack
-	0K58-01359-0000	1	Rubber Pad

## Drive Motor Assembly

---

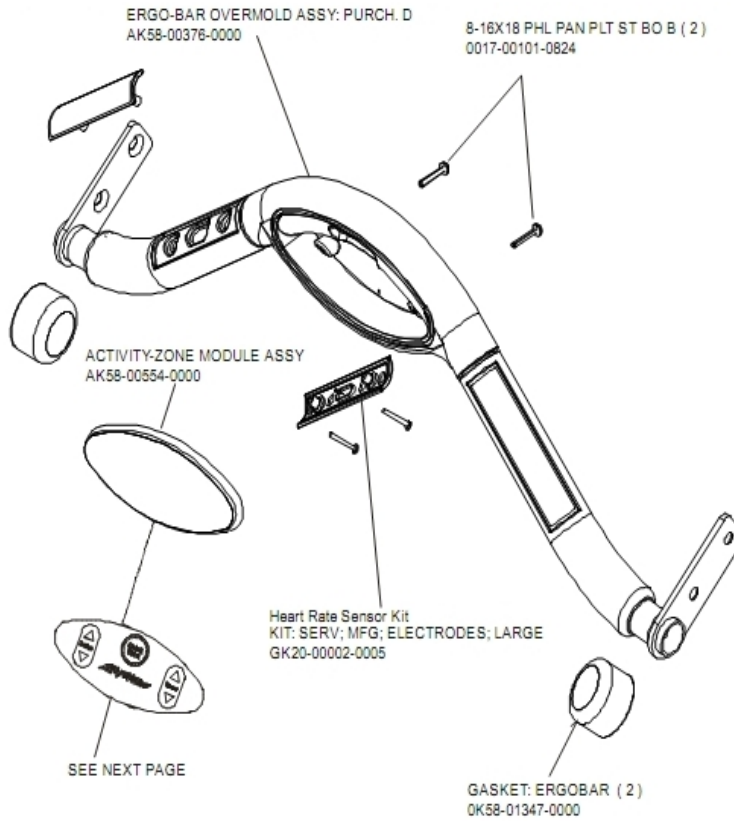
Ref #	Part Number	Qty	Description
-	0017-00103-0027	4	Hardware: Locking Nut. 5/16" ID
-	0K58-01057-0001	1	Drive Pulley - 1.971"
-	0017-00101-1885	1	Hardware: Hex Bolt 1"
-	0K58-01255-0000	4	Hardware: Insulating Washers
-	0K58-01092-0004	1	Cast Iron Flywheel
-	0K58-01386-0004	1	MOTOR: MAIN DRIVE, 230V/50HZ, W/TAPER
-	0017-00101-0333	2	Hardware: Screw 0.3125"
-	0K58-01256-0001	2	Insulating Pad
-	0017-00104-0409	4	Hardware: Washer 1.125" OD

## DSP Controller Assembly

---

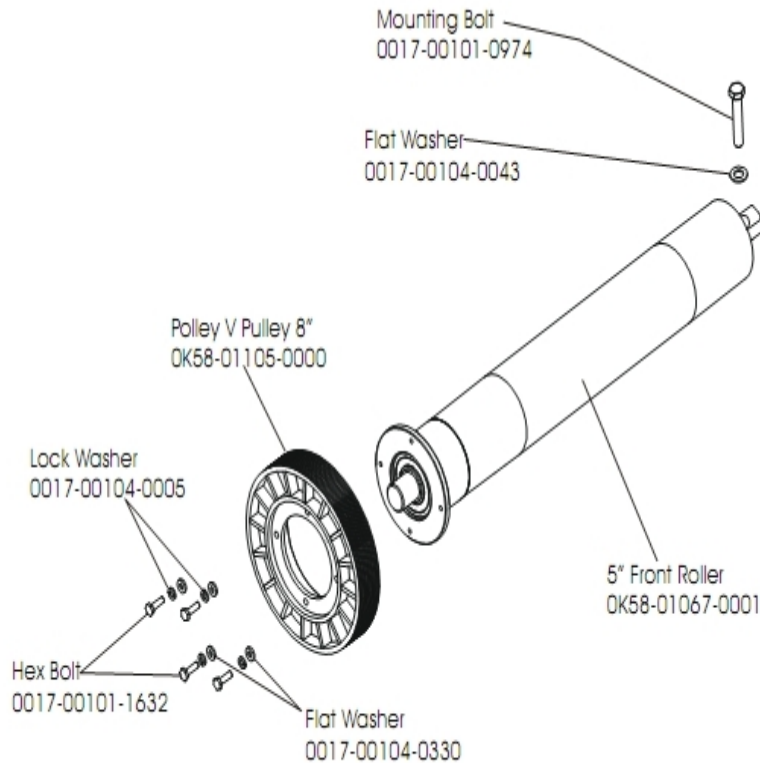
Ref #	Part Number	Qty	Description
-	GK58-00002-0121	1	Display Controller 200-240; LCD
-	GK58-00002-0121	1	Display Controller 200-240; LCD
-	AK65-00071-0002R	1	NC; DSP: NEXTGEN; TREAD; 200-240
-	GK58-00002-0121	1	Display Controller 200-240; LCD
-	GK58-00002-0121	1	Display Controller 200-240; LCD

## Ergo Bar, Heart Rate Sensors and Activity Zone



Ref #	Part Number	Qty	Description
-	AK58-00554-0201	1	Activity-Zone Module Assembly: Purchased; Generic Shadow Grey
-	GK20-00002-0005	2	Heart Rate Electrode Kit
-	0017-00101-0824	2	Hardware: Screw 1.125"
-	0K58-01347-0000	2	ErgoBar Gasket
-	AK58-00376-0001	1	Ergo-Bar Overmold Assembly

## Front Roller Assembly



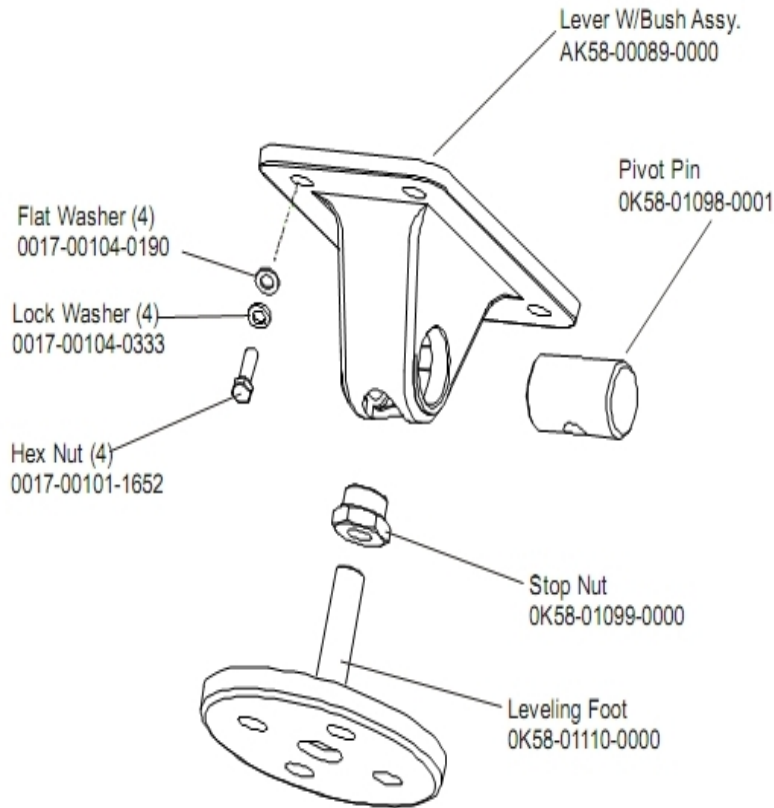
Ref #	Part Number	Qty	Description
-	0017-00101-0974	1	Hardware: Mounting Bolt 2"
-	0017-00104-0330	4	Hardware: Flat Washers 0.562" OD
-	0017-00101-1632	4	Hardware: Hex Bolt 0.875"
-	0K58-01067-0001	1	Front Roller - 5"
-	0017-00104-0043	1	Hardware: Flat Washer 0.734" OD
-	0017-00104-0005	4	Hardware: Lock Washer 0.489" OD
-	AK58-00067-0000	1	Front Roller Assembly
-	0K58-01105-0000	1	Drive Pulley Poly V - 8"

## Idler Arm Assembly

---

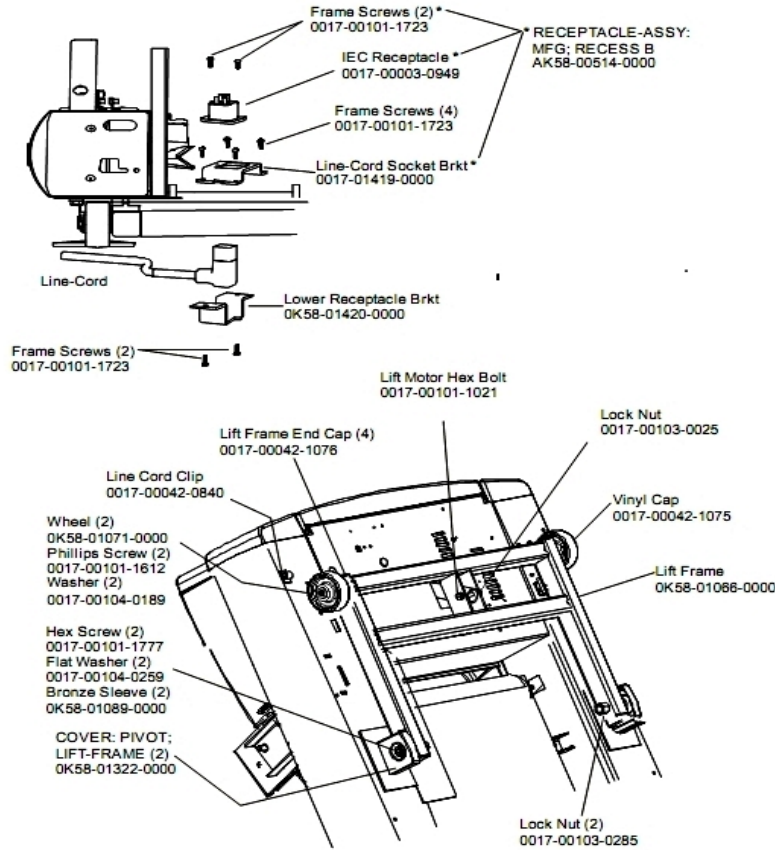
Ref #	Part Number	Qty	Description
-	0K58-01057-0001	1	Drive Pulley - 1.971"
-	0K58-01263-0001	1	Tinsel Bracket
-	0017-00042-1053	1	Plug (For units not equipped with circuit breaker.)
-	0017-00103-0324	1	Hardware: Thin Lock Nut 3/8" ID
-	AK58-00027-0000	1	Limit Switch Cable
-	0K26-01731-0000	1	Plastic Idler 2 5/8" OD
-	0K26-02055-0000	1	Spring Damper
-	0017-00032-0195	1	Home Switch
-	0017-00042-1072	1	Hardware: Wire Clamp - 5/8"
-	0K58-01084-0002	1	Threaded Shaft
-	0017-00007-0248	1	Hardware: Locking Pin .31" D 2.125" L
-	0017-00042-0326	1	Hardware: Plastic Grommet
-	0017-00101-1193	3	Hardware: Screw 0.375"
-	0017-00101-0333	1	Hardware: Screw 0.3125"
-	AK58-00053-0002	1	Idler Arm Assembly
-	0K58-01085-0000	1	Extension Spring
-	GK58-00002-0129	1	KIT: TREADMILL BELT AND PULLEY

## Leg Leveler Assembly



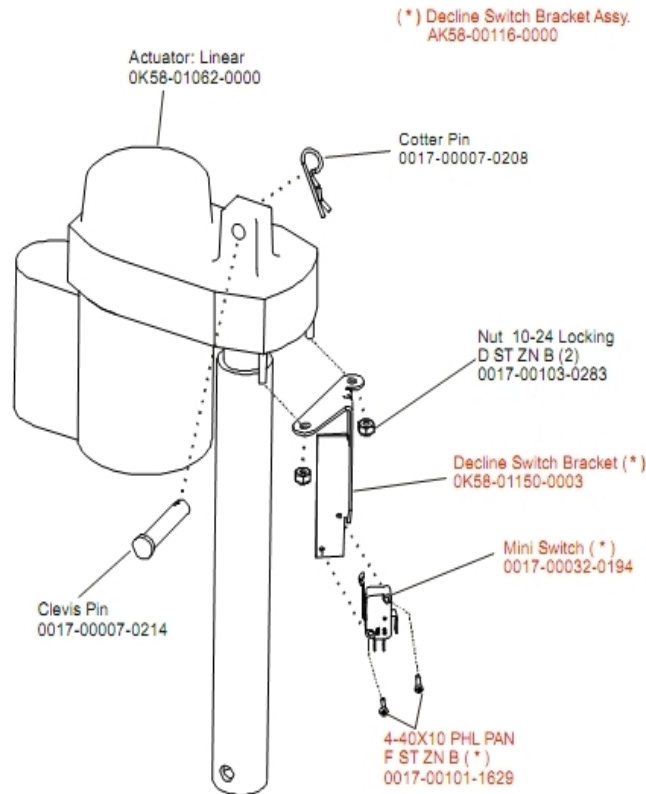
Ref #	Part Number	Qty	Description
-	OK58-01099-0000	2	Hardware: Stop Nut
-	0017-00104-0333	8	Hardware: Washer 0.683" OD
-	0017-00101-1652	8	Hardware: Spring Mounting Screw 1"
-	OK58-01098-0001	2	Hardware: Pivot Pin
-	0017-00104-0190	8	Hardware: Flat Washer 0.734" OD
-	OK58-01110-0000	2	Leveler Foot
-	AK58-00089-0000	2	Bracket Leveler

# Lift Frame and Receptacle Assembly



Ref #	Part Number	Qty	Description
-	0K58-01420-0000	1	Lower Receptacle Bracket
-	0K58-01089-0000	2	Bronze Sleeve Bushings
-	0017-00042-0840	1	Hardware: Push Mount Clip
-	0K58-01071-0000	2	Wheel
-	0017-00042-1075	1	Vinyl Cap
-	0017-00101-1612	2	Hardware: Phillips Screw 0.5"
-	0017-00003-0949	1	IEC Receptacle
-	0017-00104-0259	2	Hardware: Washer 1.331" OD
-	0017-00103-0025	1	Hardware: Locking Nut 3/8" ID
-	0017-00101-1021	1	Hardware: Lift Motor Hex Bolt 2.5"
-	AK58-00514-0000	1	Receptacle Assembly
-	0017-00101-1723	8	Hardware: Phillips Pan Screw 0.375"
-	0017-00103-0285	2	Hardware: Nut 5/8" ID
-	0K58-01322-0000	2	Lift Frame Pivot Cover
-	0017-00104-0189	2	Hardware: Flat Washer 1" OD
-	0017-00101-1777	2	Hardware: Lift Frame Mounting Bolt 2.75"
-	0017-00042-1076	4	Lift Frame End Cap
-	AK58-00220-0000	1	LIFT-FRAME ASSY: MFG. C

# Lift Motor Assembly



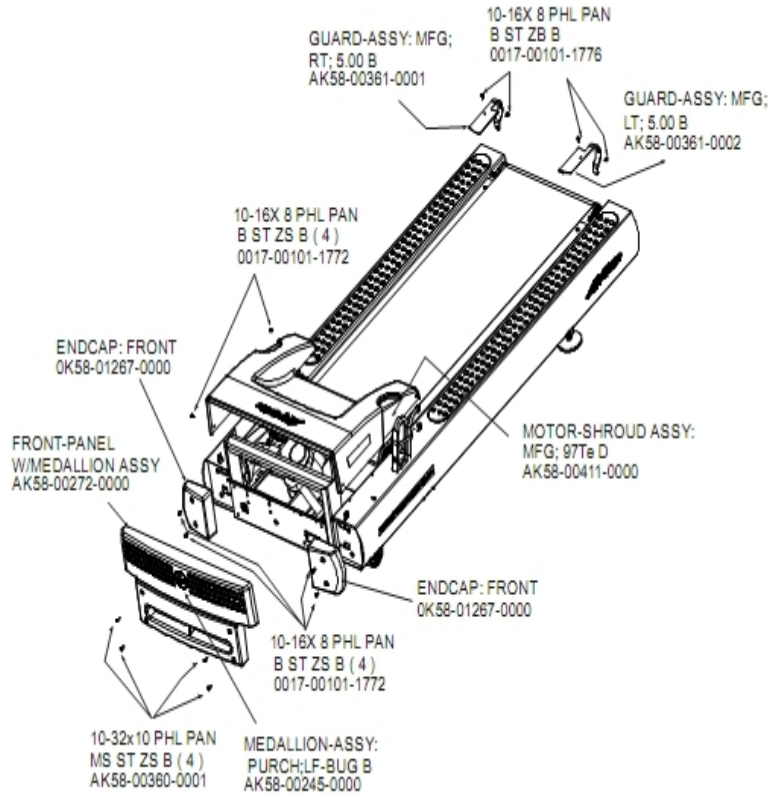
Ref #	Part Number	Qty	Description
-	0017-00103-0283	2	Hardware: Locking Nut ID
-	0017-00007-0214	1	Hardware: Clevis Pin 3/8" D 1.75" L
-	AK58-00075-0000	1	Lift Motor Bracket Assembly
-	AK58-00116-0000	1	Switch Bracket Assembly
-	0017-00032-0194	1	Mini Switch; SPDT
-	0K58-01062-0000	1	Lift Motor - 120/60
-	0K58-01150-0003	1	Decline Switch Bracket
-	0017-00101-1629	4	Hardware: Phillips Pan Screw 0.625"
-	0017-00007-0208	1	Hardware: Cotter Pin

## Line Cords and Line Cord Options

---

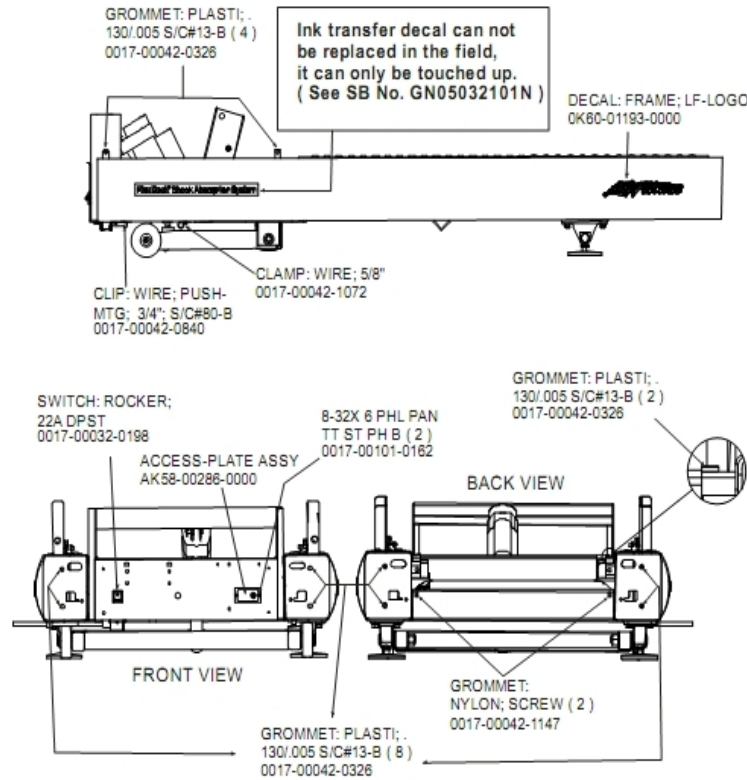
Ref #	Part Number	Qty	Description
-	0017-00003-0981	1	LINE-CORD: R/A; with PLUG 220/60 7.5'
-	0017-00003-0890	1	Line Cord: UK
-	0017-00003-0948	1	12' 220v Line Cord
-	0017-00003-0696	1	Line Cord: International High Voltage (Cont.) 103"
-	0017-00003-0980	1	Line Cord: US Low Voltage 144"

## Motor Cover, Front Cover and End Caps



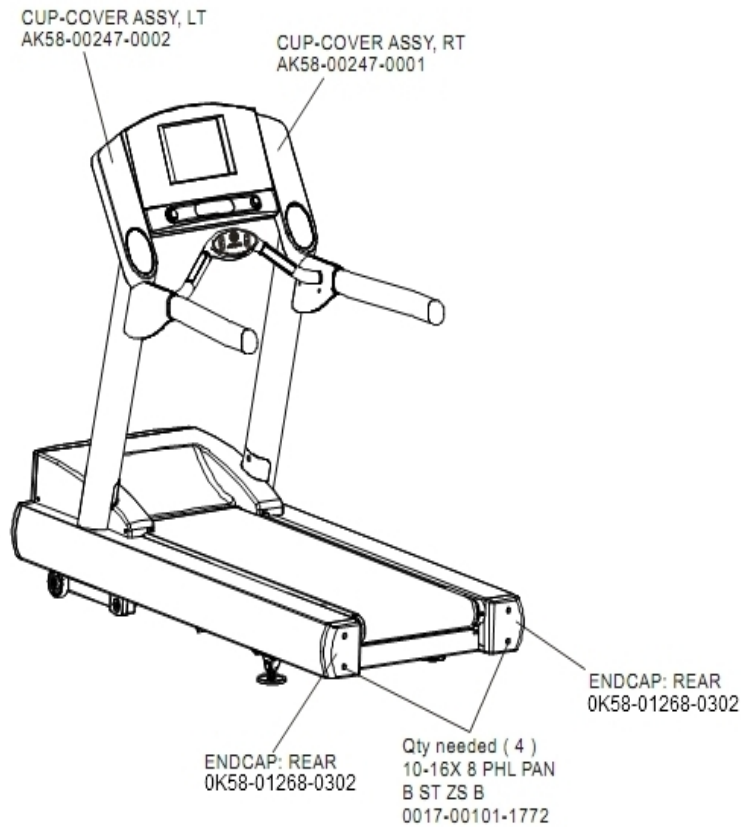
Ref #	Part Number	Qty	Description
-	AK58-00360-0001	4	Rear Roller Guard: Right
-	AK58-00411-0000	1	Motor Shroud Assembly
-	0017-00101-1772	8	Hardware: Phillips Pan Screw 0.5"
-	AK58-00245-0000	1	Bug Medallion
-	OK58-01391-0002	1	Rear Roller Guard Left
-	0017-00101-1776	1	Hardware: Mounting Screw 0.5"
-	AK58-00272-0000	1	Front Panel with Medallion
-	OK58-01391-0001	1	Rear Roller Guard Right
-	OK58-01267-0000	2	End Cap

## On/Off Switch, Access Plate and Grommets



Ref #	Part Number	Qty	Description
-	0017-00101-0162	2	Hardware: Screw 0.375"
-	AK58-00286-0000	1	Access Plate
-	0017-00042-0840	1	Hardware: Push Mount Clip
-	0K60-01193-0000	2	Decal: LF Logo
-	0017-00032-0198	1	On/Off Switch 22A
-	0017-00042-0326	14	Hardware: Plastic Grommet
-	0017-00042-1147	2	Hardware: Nylon Grommet
-	0017-00042-1072	1	Hardware: Wire Clamp - 5/8"

## Rear End Caps and Cup Holders



Ref #	Part Number	Qty	Description
-	OK58-01268-0302	2	ENDCAP: REAR; STEALTH D
-	AK58-00247-0002	1	Cup Holder Left
-	0017-00101-1772	4	Hardware: Phillips Pan Screw 0.5"
-	AK58-00247-0001	1	Cup Holder Right

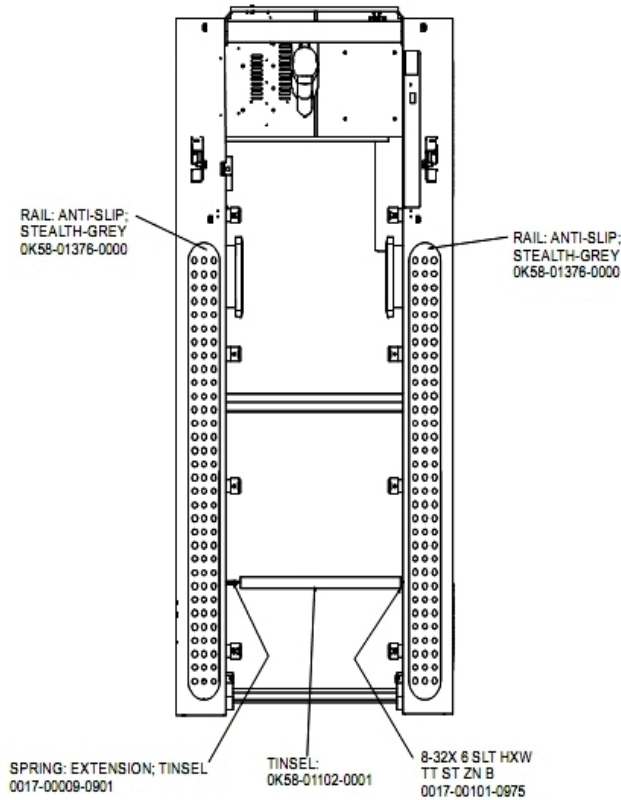
## References

---

Ref #	Part Number	Qty	Description
-	M051-00K58-B128	1	Service Instructions - Roller Guards
-	0017-00008-0204	1	Paint Spray Can - Arctic Silver
-	0017-00042-0840	5	Hardware: Push Mount Clip
-	0017-00101-1770	6	Hardware: Phillips Pan Screw 0.5"
-	0K58-01376-0000	2	Anti-Scuff Pad
-	0017-00101-1772	6	Hardware: Phillips Pan Screw 0.5"
-	0017-00101-1778	4	Hardware: Hex Bolt 1"
-	0017-00008-0206	1	.33oz Pen - Arctic Silver
-	0017-00042-0326	4	Hardware: Plastic Grommet
-	0017-00042-1147	2	Hardware: Nylon Grommet
-	0K58-01305-0002	2	Upright Plug
-	0017-00103-0327	4	Hardware: Hex Nut 5/16" ID
-	0K58-01347-0000	2	ErgoBar Gasket
-	0017-00008-0210	1	Paint: Shadow-Gray Touch Up: .6 OZ Bottle
-	0017-00101-1776	4	Hardware: Mounting Screw 0.5"
-	0017-00104-0325	4	Hardware: Washer 0.873" OD
-	GK58-00002-0096	1	Roller Guard kit
-	0017-00008-0211	1	Paint: Shadow-Gray Touch Up: .6 OZ Bottle
-	0017-00101-1774	4	Hardware: TORX Screw 2.5"
-	0017-00101-1780	8	Hardware: Mounting Screws
-	GK58-00002-0071	1	Anti-Slip Rail
-	0K58-01391-0001	1	Rear Roller Guard Right

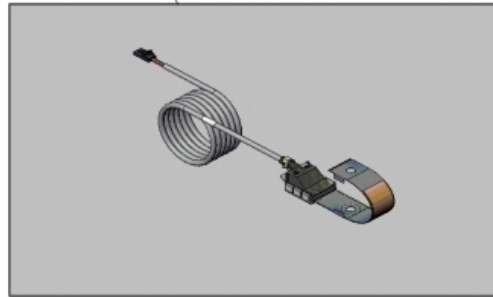
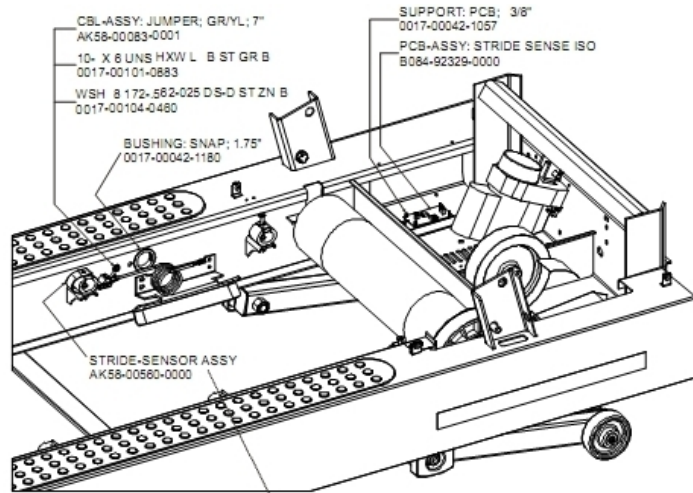
<b>Ref #</b>	<b>Part Number</b>	<b>Qty</b>	<b>Description</b>
-	0017-00008-0205	1	5 oz Bottle - Arctic Silver
-	AK58-00226-0000	1	Hardware Bag
-	0K58-01391-0002	1	Rear Roller Guard Left
-	0017-00009-1049	1	Torx Wrench
-	0017-00101-1773	6	Hardware: TORX Screw 0.5"

## Scuff Pad and Tinsel



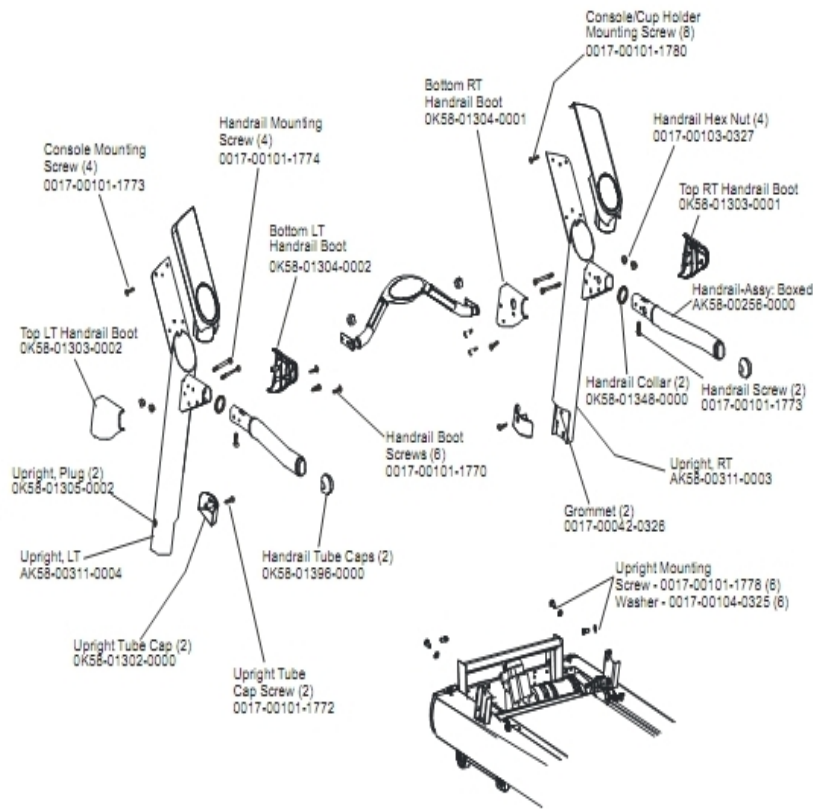
Ref #	Part Number	Qty	Description
-	0017-00009-0901	1	Tinsel Extension Spring
-	OK58-01376-0000	2	Anti-Scuff Pad
-	0017-00101-0975	1	Hardware: Mounting Bolt 0.375"
-	OK58-01102-0001	1	Anti-Static Tinsel

## Stride Sensor and Stride Sensor PCB Assembly



Ref #	Part Number	Qty	Description
-	AK58-00560-0000	1	Stride Sensor Assembly
-	0017-00042-1180	1	Hardware: Snap Bushing - 1.75"
-	0017-00101-0883	1	Hardware: Screw 0.375"
-	0017-00042-1057	1	Support: Printed Circuit Board; 3/8"
-	0017-00104-0460	1	Hardware: Lockwasher 0.562" OD
-	B084-92329-0000	1	PCB-ASSY: STRIDE SENSE ISO
-	AK58-00083-0001	1	Jumper Cable Assembly: Green/Yellow - 7"

## Uprights and Handrails



Ref #	Part Number	Qty	Description
-	0017-00101-1773	6	Hardware: TORX Screw 0.5"
-	OK58-01348-0000	2	Handrail Collar
-	OK58-01396-0000	2	Endcap
-	OK58-01303-0002	1	Top Left Handrail Boot
-	OK58-01304-0001	1	Bottom Right Handrail Boot
-	OK58-01304-0002	1	Bottom Left Handrail Boot
-	0017-00101-1772	2	Hardware: Phillips Pan Screw 0.5"
-	OK58-01303-0001	1	Top Right Handrail Boot
-	0017-00101-1778	6	Hardware: Hex Bolt 1"
-	0017-00042-0326	2	Hardware: Plastic Grommet
-	0017-00103-0327	4	Hardware: Hex Nut 5/16" ID
-	OK58-01302-0103	2	Cap: Upright Tube; Arctic Silver
-	OK58-01305-0002	2	Upright Plug
-	AK58-00256-0001	1	Handrail
-	AK58-00311-0004	1	Upright: Left
-	0017-00104-0325	6	Hardware: Washer 0.873" OD
-	0017-00101-1774	4	Hardware: TORX Screw 2.5"
-	0017-00101-1780	8	Hardware: Mounting Screws
-	AK58-00311-0003	1	Upright: Right
-	0017-00101-1770	6	Hardware: Phillips Pan Screw 0.5"

