

# 97Te Treadmill w/Integrated LCD screen

97TE-0120-02

## Parts Manual

1/5/2019 11:59:20 AM

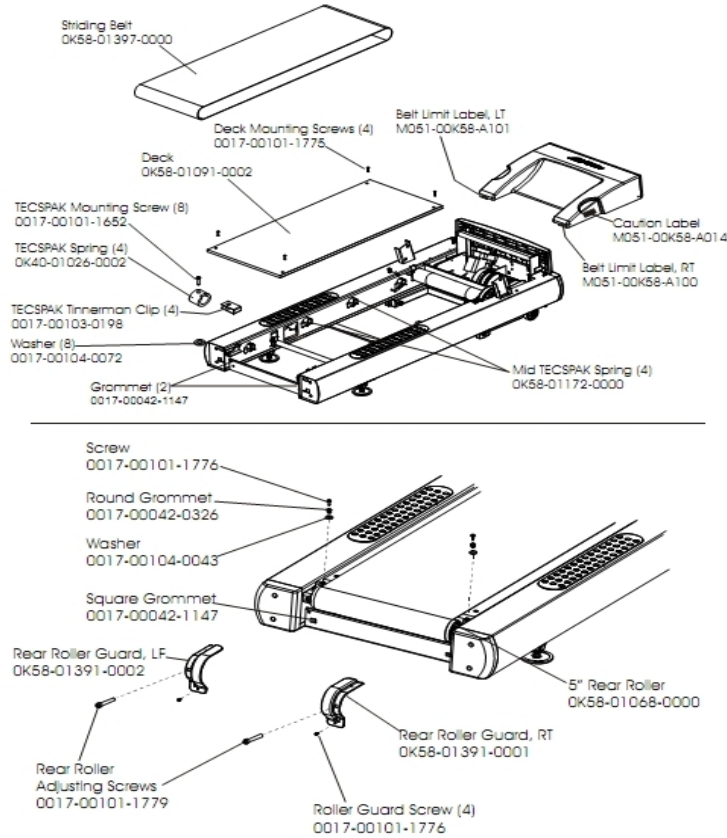


**Table of Contents**

---

<a href="#">Belt, Deck, and Rear Roller.....</a>	<a href="#">3</a>
<a href="#">Cables.....</a>	<a href="#">4</a>
<a href="#">Console Assembly.....</a>	<a href="#">5</a>
<a href="#">Console Components.....</a>	<a href="#">6</a>
<a href="#">Drive Motor Assembly.....</a>	<a href="#">8</a>
<a href="#">Ergo Bar with Lifepulse.....</a>	<a href="#">9</a>
<a href="#">Front Roller Assembly.....</a>	<a href="#">10</a>
<a href="#">Handrail Assembly.....</a>	<a href="#">11</a>
<a href="#">Idle Arm Assembly and Static Brush.....</a>	<a href="#">12</a>
<a href="#">Leveler Assembly.....</a>	<a href="#">13</a>
<a href="#">Lift Frame and Motor.....</a>	<a href="#">14</a>
<a href="#">Miscellaneous.....</a>	<a href="#">16</a>
<a href="#">Motor Controller with Ferrite Assembly.....</a>	<a href="#">17</a>
<a href="#">Motor Cover, Front Cover and End Caps.....</a>	<a href="#">18</a>
<a href="#">Power Components Schematic 1.....</a>	<a href="#">19</a>
<a href="#">Power Components Schematic 2.....</a>	<a href="#">20</a>
<a href="#">Rear End Caps and Cup Holders.....</a>	<a href="#">21</a>
<a href="#">Scuff Pad, Tinsel and Frame Tag Board.....</a>	<a href="#">22</a>
<a href="#">Wax/Lift Assembly.....</a>	<a href="#">23</a>

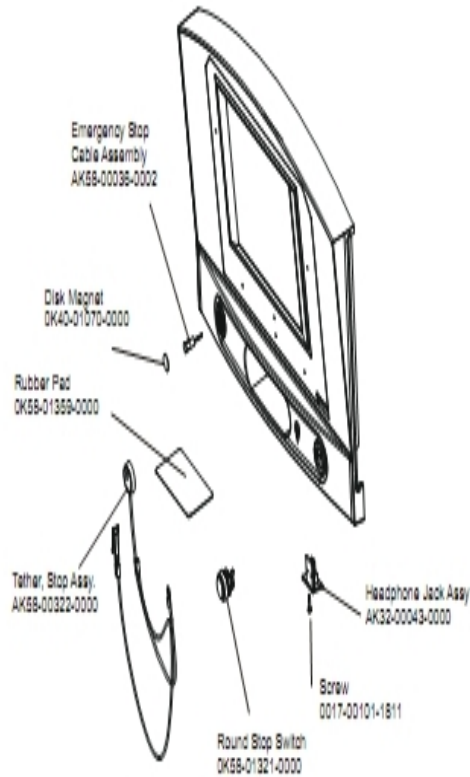
## Belt, Deck, and Rear Roller



Ref #	Part Number	Qty	Description
-	0017-00101-1775	4	Hardware: Deck Screws 1.25"
-	OK58-01391-0002	1	Rear Roller Guard Left
-	OK58-01397-0000	1	Striding Belt
-	OK65-01263-0000	1	Deck
-	OK40-01026-0002	4	Deck Spring
-	OK58-01391-0001	1	Rear Roller Guard Right
-	0017-00101-1776	6	Hardware: Mounting Screw 0.5"
-	0017-00104-0043	2	Hardware: Flat Washer 0.734" OD
-	0017-00101-1652	8	Hardware: Spring Mounting Screw 1"
-	0017-00042-1147	4	Hardware: Nylon Grommet
-	0017-00042-0326	2	Hardware: Plastic Grommet
-	OK58-01068-0000	1	Rear Roller - 5"
-	OK58-01172-0000	4	TECSPAK Spring
-	0017-00101-1779	2	Hardware: Rear Roller Adjusting Bolt
-	0017-00104-0072	8	Hardware: Flat Washer 0.562" OD
-	0017-00103-0198	4	Hardware: Tinnerman Clip 1/4" ID

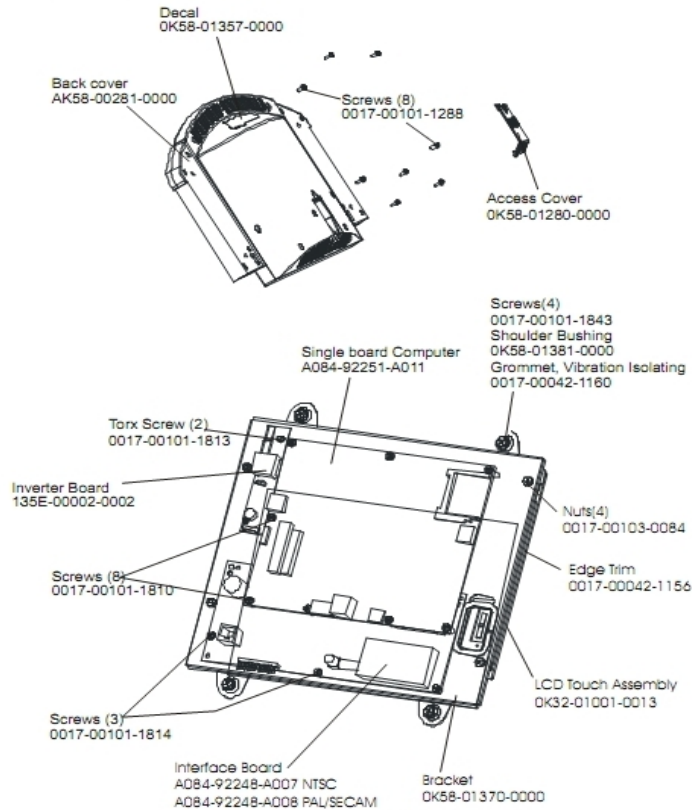


## Console Assembly



Ref #	Part Number	Qty	Description
-	0017-00101-1811	1	Hardware: Phillips Pan Screw 0.625"
-	OK58-01321-0000	1	Stop Switch
-	OK58-01359-0000	1	Rubber Pad
-	AK58-00322-0000	1	Tether Stop Assembly
-	AK32-00043-0000	1	Headphone Jack
-	GK58-00002-0099	1	Console with FM English/ NTSC
-	AK58-00516-0001	1	Bezel Switch with Overlay: English
-	AK58-00036-0000	1	Cable-Assembly: Emergency-Stop Switch
-	OK40-01070-0000	1	Magnetic Disk

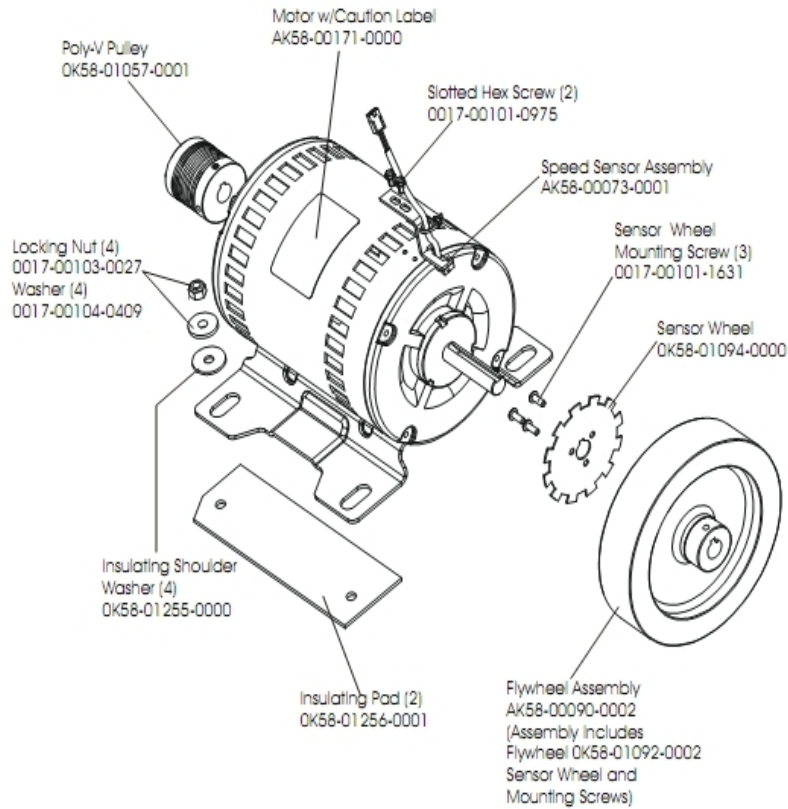
## Console Components



Ref #	Part Number	Qty	Description
-	0K58-01370-0000	1	Bracket
-	0017-00042-1160	1	Grommet
-	0017-00101-1843	4	Hardware: Screw
-	A084-92248-A007	1	Interface Boards NTSC
-	A084-92248-A007	1	Interface Boards NTSC
-	A084-92248-A007	1	Interface Boards NTSC
-	A084-92248-A007	1	Interface Boards NTSC
-	A084-92251-A011	1	Single Board Computer
-	0017-00101-1813	2	Hardware: Inverter Board Screw
-	0K32-01001-0013	1	LCD Touchscreen Assembly
-	0K32-01001-0013	1	LCD Touchscreen Assembly
-	0K32-01001-0013	1	LCD Touchscreen Assembly
-	0K32-01001-0013	1	LCD Touchscreen Assembly
-	0K58-01280-0000	1	Accessory Cover
-	AK58-00281-0000	1	Console Back Cover
-	0017-00042-1156	1	Edge Trim
-	0017-00103-0084	4	Hardware: Nut
-	0017-00101-1288	8	Hardware: Phillips Screw 0.5"
-	0017-00101-1814	3	Hardware: Screw
-	0K58-01357-0000	1	Decal
-	0K58-01381-0000	1	Shoulder Bushing
-	GK32-00002-0004	1	Inverter Board

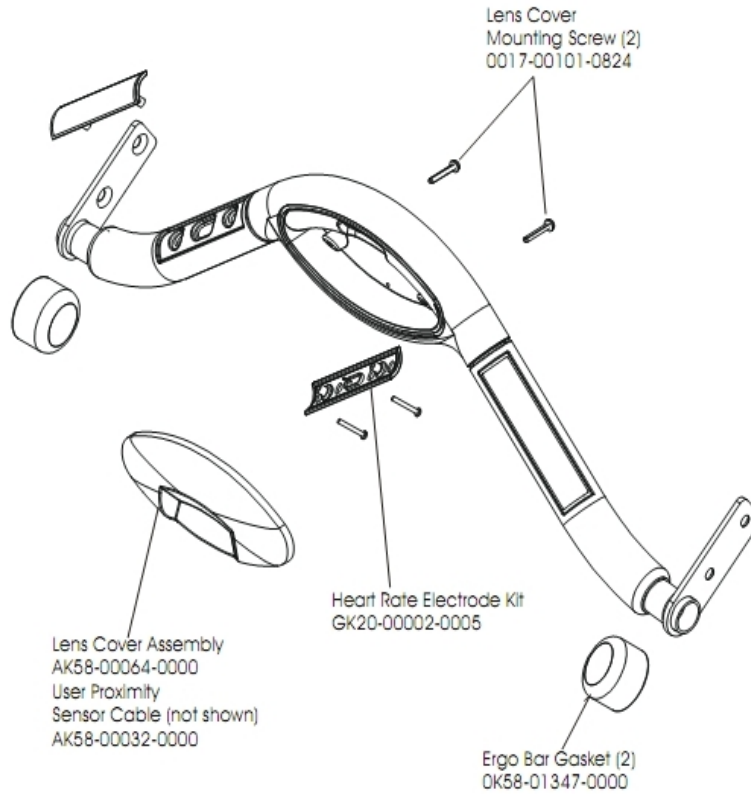
Ref #	Part Number	Qty	Description
-	0017-00101-1810	8	Hardware: Screw

## Drive Motor Assembly



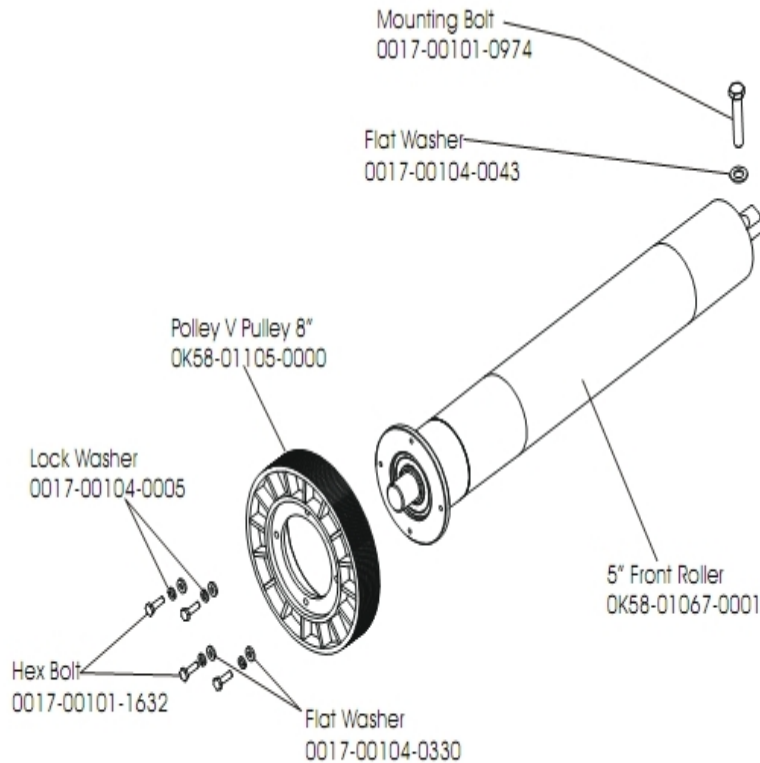
Ref #	Part Number	Qty	Description
-	0017-00101-0975	2	Hardware: Mounting Bolt 0.375"
-	0017-00103-0027	4	Hardware: Locking Nut. 5/16" ID
-	OK58-01057-0001	1	Drive Pulley - 1.971"
-	AK58-00171-0000	2	Motor with Caution Label
-	OK58-01255-0000	4	Hardware: Insulating Washers
-	0017-00104-0409	4	Hardware: Washer 1.125" OD
-	OK58-01094-0000	1	Sensor Wheel
-	AK58-00090-0002	1	Flywheel Assembly
-	OK58-01256-0001	2	Insulating Pad
-	0017-00101-1631	3	Hardware: Sensor Wheel Mounting Screw
-	AK58-00073-0001	1	Speed Sensor Assembly

**Ergo Bar with Lifepulse**



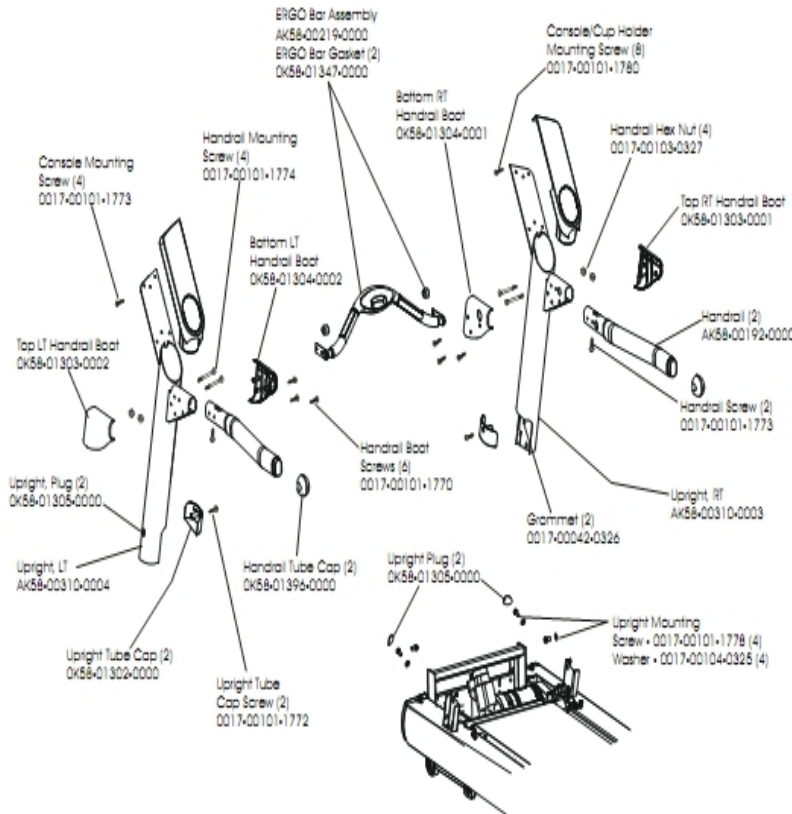
Ref #	Part Number	Qty	Description
-	AK58-00064-0000	1	I/R Lens Cover Assembly
-	GK20-00002-0005	2	Heart Rate Electrode Kit
-	0017-00101-0824	2	Hardware: Screw 1.125"
-	OK58-01347-0000	2	ErgoBar Gasket
-	AK58-00032-0000	1	User Proximity Sensor Cable

## Front Roller Assembly



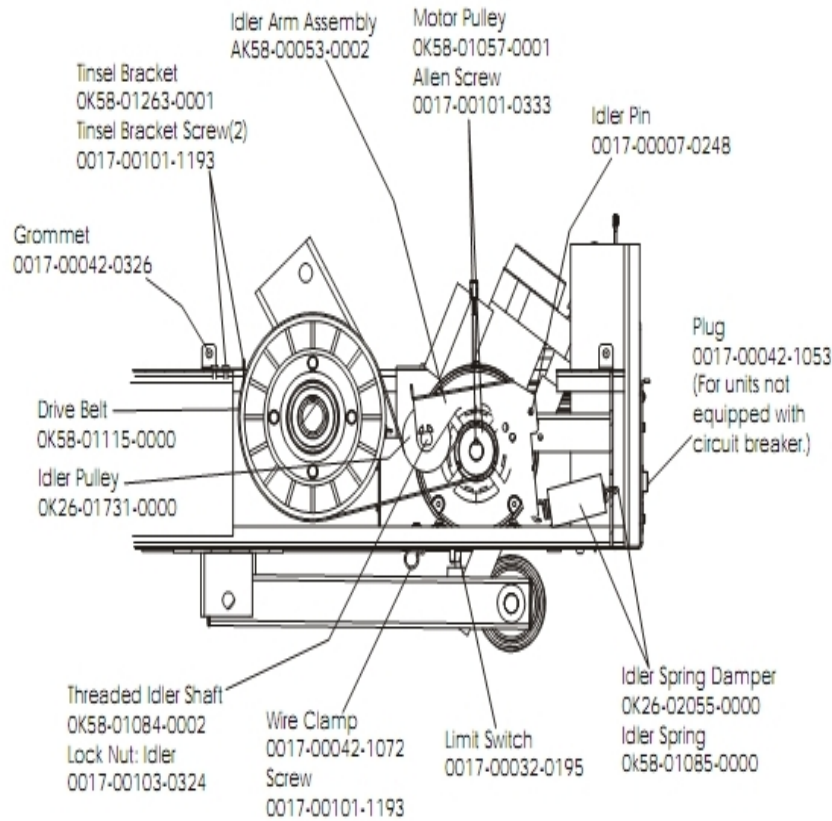
Ref #	Part Number	Qty	Description
-	0017-00101-0974	1	Hardware: Mounting Bolt 2"
-	0017-00104-0330	4	Hardware: Flat Washers 0.562" OD
-	0017-00101-1632	4	Hardware: Hex Bolt 0.875"
-	0K58-01067-0001	1	Front Roller - 5"
-	0017-00104-0043	1	Hardware: Flat Washer 0.734" OD
-	0017-00104-0005	4	Hardware: Lock Washer 0.489" OD
-	AK58-00067-0000	1	Front Roller Assembly
-	0K58-01105-0000	1	Drive Pulley Poly V - 8"

# Handrail Assembly



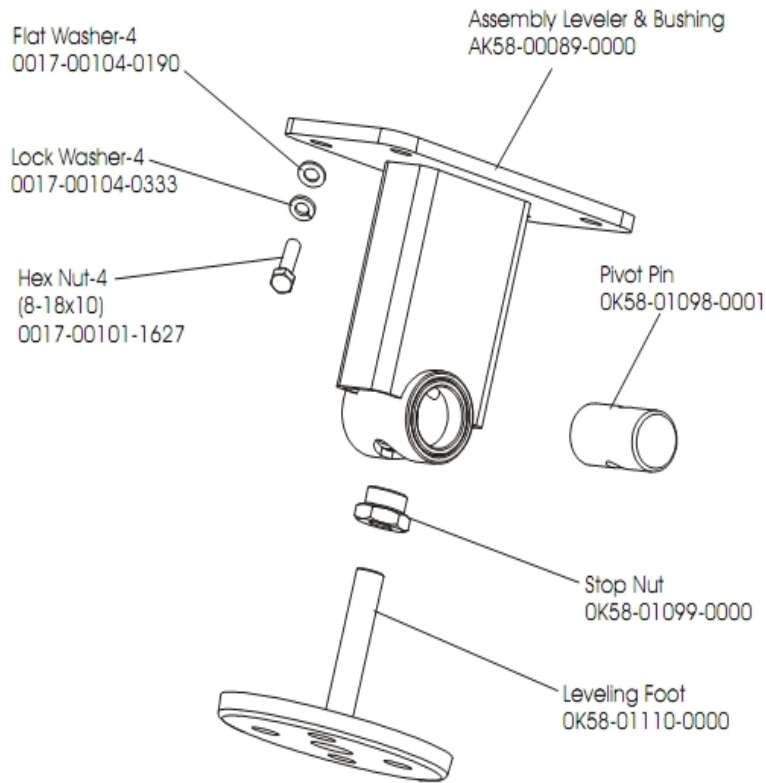
Ref #	Part Number	Qty	Description
-	0017-00101-1773	6	Hardware: TORX Screw 0.5"
-	0017-00101-1780	8	Hardware: Mounting Screws
-	OK58-01396-0000	2	Endcap
-	OK58-01303-0002	1	Top Left Handrail Boot
-	OK58-01304-0001	1	Bottom Right Handrail Boot
-	OK58-01304-0002	1	Bottom Left Handrail Boot
-	AK58-00219-0000	1	Ergo Bar with Heart Rate Sensors
-	0017-00101-1772	2	Hardware: Phillips Pan Screw 0.5"
-	OK58-01303-0001	1	Top Right Handrail Boot
-	0017-00101-1778	4	Hardware: Hex Bolt 1"
-	AK58-00310-0003	1	Upright: Right
-	0017-00042-0326	2	Hardware: Plastic Grommet
-	0017-00103-0327	4	Hardware: Hex Nut 5/16" ID
-	OK58-01302-0103	2	Cap: Upright Tube; Arctic Silver
-	OK58-01305-0002	4	Upright Plug
-	AK58-00256-0001	2	Handrail
-	AK58-00311-0004	1	Upright: Left
-	OK58-01347-0000	2	ErgoBar Gasket
-	0017-00104-0325	4	Hardware: Washer 0.873" OD
-	0017-00101-1774	4	Hardware: TORX Screw 2.5"
-	0017-00101-1770	6	Hardware: Phillips Pan Screw 0.5"

## Idler Arm Assembly and Static Brush



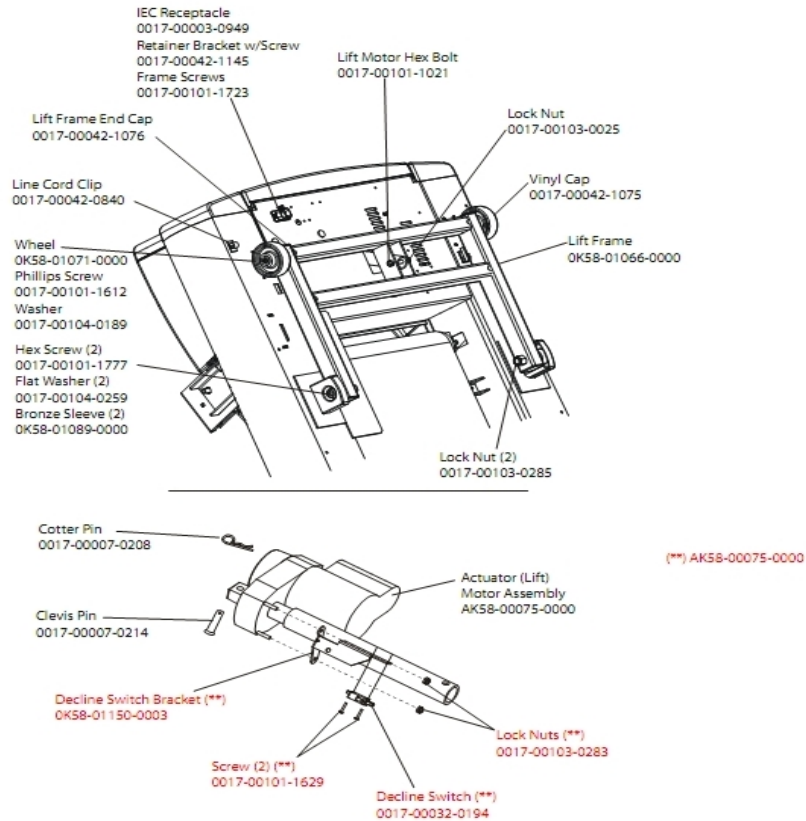
Ref #	Part Number	Qty	Description
-	OK58-01057-0001	1	Drive Pulley - 1.971"
-	OK58-01263-0001	1	Tinsel Bracket
-	0017-00042-1053	1	Plug (For units not equipped with circuit breaker.)
-	0017-00103-0324	1	Hardware: Thin Lock Nut 3/8" ID
-	OK26-01731-0000	1	Plastic Idler 2 5/8" OD
-	OK26-02055-0000	1	Spring Damper
-	0017-00032-0195	1	Home Switch
-	0017-00042-1072	1	Hardware: Wire Clamp - 5/8"
-	OK58-01084-0002	1	Threaded Shaft
-	0017-00007-0248	1	Hardware: Locking Pin .31" D 2.125" L
-	0017-00042-0326	1	Hardware: Plastic Grommet
-	0017-00101-1193	3	Hardware: Screw 0.375"
-	0017-00101-0333	1	Hardware: Screw 0.3125"
-	AK58-00053-0002	1	Idler Arm Assembly
-	OK58-01085-0000	1	Extension Spring
-	GK58-00002-0129	1	KIT: TREADMILL BELT AND PULLEY

## Leveler Assembly



Ref #	Part Number	Qty	Description
-	0017-00101-1627	8	Hardware: Hex Nut
-	AK58-00089-0000	2	Bracket Leveler
-	0017-00104-0190	8	Hardware: Flat Washer 0.734" OD
-	OK58-01110-0000	2	Leveler Foot
-	OK58-01098-0001	2	Hardware: Pivot Pin
-	OK58-01099-0000	2	Hardware: Stop Nut
-	0017-00104-0333	8	Hardware: Washer 0.683" OD
-	AK58-00464-0000	2	Leveler Assembly

### Lift Frame and Motor



Ref #	Part Number	Qty	Description
-	0017-00042-1076	1	Lift Frame End Cap
-	0017-00007-0208	1	Hardware: Cotter Pin
-	0017-00101-1777	2	Hardware: Lift Frame Mounting Bolt 2.75"
-	0017-00104-0189	2	Hardware: Flat Washer 1" OD
-	0K58-01150-0003	1	Decline Switch Bracket
-	0017-00101-1629	2	Hardware: Phillips Pan Screw 0.625"
-	0017-00103-0285	2	Hardware: Nut 5/8" ID
-	0017-00101-1723	1	Hardware: Phillips Pan Screw 0.375"
-	0017-00032-0194	1	Mini Switch; SPDT
-	0017-00042-1145	1	Power Cord Retainer
-	0017-00101-1021	1	Hardware: Lift Motor Hex Bolt 2.5"
-	0017-00103-0025	1	Hardware: Locking Nut 3/8" ID
-	0017-00104-0259	2	Hardware: Washer 1.331" OD
-	0017-00003-0949	1	IEC Receptacle
-	AK58-00220-0000	1	LIFT-FRAME ASSY: MFG. C
-	AK58-00075-0000	2	Lift Motor Bracket Assembly
-	0K58-01089-0000	2	Bronze Sleeve Bushings
-	0017-00042-0840	1	Hardware: Push Mount Clip
-	0017-00101-1612	2	Hardware: Phillips Screw 0.5"
-	0K58-01071-0000	2	Wheel
-	0017-00103-0283	1	Hardware: Locking Nut ID
-	0017-00007-0214	1	Hardware: Clevis Pin 3/8" D 1.75" L

<b>Ref #</b>	<b>Part Number</b>	<b>Qty</b>	<b>Description</b>
-	0017-00042-1075	1	Vinyl Cap

**Miscellaneous**

---

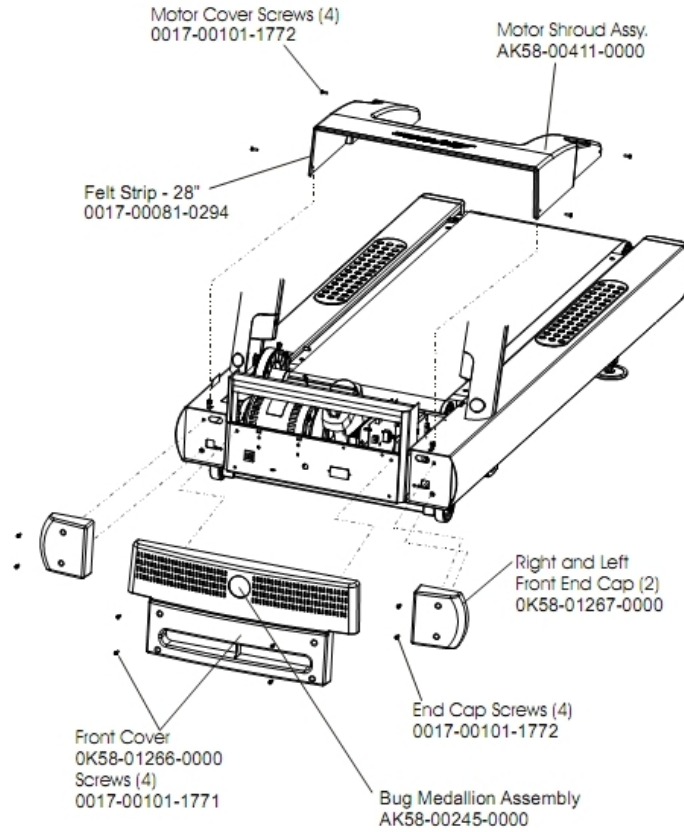
Ref #	Part Number	Qty	Description
-	0017-00008-0205	1	5 oz Bottle - Arctic Silver
-	0017-00008-0206	1	.33oz Pen - Arctic Silver
-	AK58-00226-0000	1	Hardware Bag
-	0017-00008-0204	1	Paint Spray Can - Arctic Silver

## Motor Controller with Ferrite Assembly

---

Ref #	Part Number	Qty	Description
-	GK65-00002-0018	1	Kit: Service; Motor Controller; 100-120VA; Display

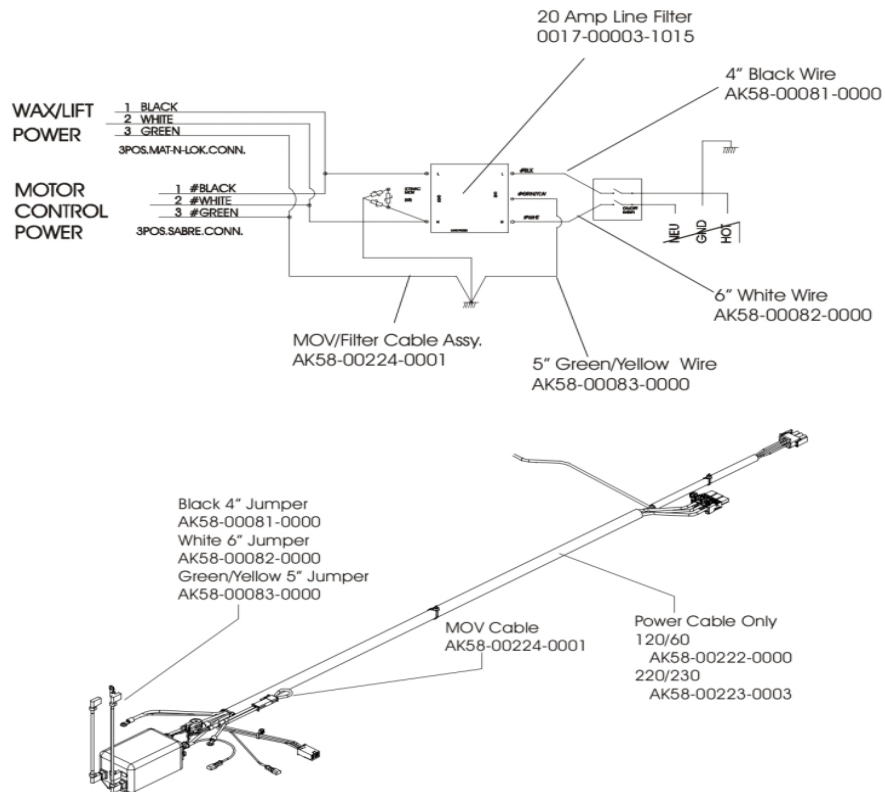
## Motor Cover, Front Cover and End Caps



Ref #	Part Number	Qty	Description
-	OK58-01267-0000	2	End Cap
-	0017-00101-1771	4	Hardware: Phillips Pan Screw
-	OK58-01266-0000	1	Front Cover
-	AK58-00245-0000	1	Bug Medallion
-	0017-00081-0294	1	Felt Strip - 28"
-	AK58-00411-0000	1	Motor Shroud Assembly
-	0017-00101-1772	8	Hardware: Phillips Pan Screw 0.5"

**Power Components Schematic 1**

120V DOMESTIC  
ONLY



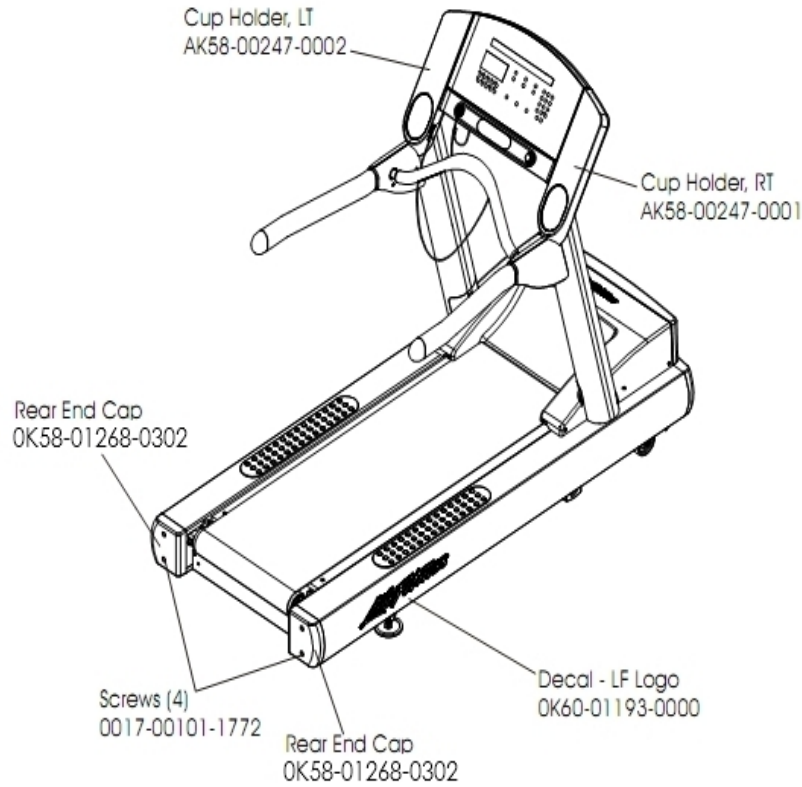
Ref #	Part Number	Qty	Description
-	AK58-00265-0001	1	Harness Assembly: 120/60
-	AK58-00082-0000	2	Jumper Cable Assembly: White - 6"
-	0017-00003-0947	1	Line Cord: 120V; 20A; 12'
-	AK58-00083-0000	2	Cable Assembly
-	0017-00003-0915	1	Line Cord RT Angle Plug
-	0017-00003-1015	2	20 amp Line Filter (DOM)
-	AK58-00224-0001	2	Cable: MOV; Fliter
-	AK58-00081-0000	2	Jumper Cable Assembly: Black - 4"
-	AK58-00222-0000	2	Power Cable Assembly 120V
-	0017-00003-0974	1	Line Cord: 120V: 8'

## Power Components Schematic 2

---

Ref #	Part Number	Qty	Description
-	0017-00003-0915	1	Line Cord RT Angle Plug
-	0017-00032-0198	1	On/Off Switch 22A
-	AK58-00224-0001	1	Cable: MOV; Fliter
-	0017-00003-0947	1	Line Cord: 120V; 20A; 12'
-	AK58-00083-0000	1	Cable Assembly
-	AK58-00265-0001	1	Harness Assembly: 120/60
-	0017-00003-1015	2	20 amp Line Filter (DOM)
-	AK58-00222-0000	2	Power Cable Assembly 120V
-	AK58-00210-0000	1	Transformer-Bracket Assembly
-	0017-00003-0974	1	Line Cord: 120V: 8'
-	AK58-00082-0000	1	Jumper Cable Assembly: White - 6"
-	AK58-00081-0000	1	Jumper Cable Assembly: Black - 4"

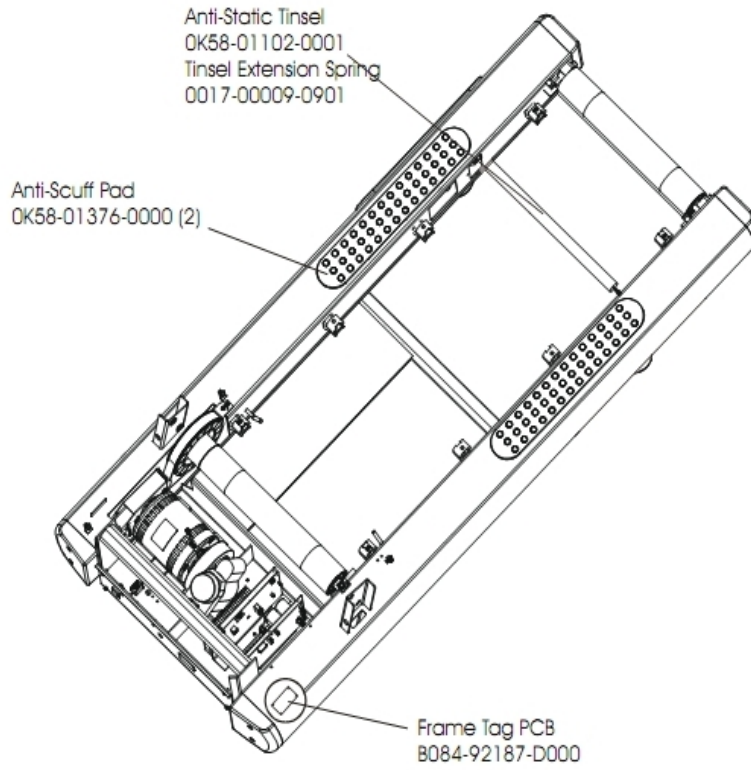
## Rear End Caps and Cup Holders



Ref #	Part Number	Qty	Description
-	OK58-01268-0302	2	ENDCAP: REAR; STEALTH D
-	0017-00101-1772	4	Hardware: Phillips Pan Screw 0.5"
-	AK58-00247-0001	1	Cup Holder Right
-	OK60-01193-0000	2	Decal: LF Logo
-	AK58-00247-0002	1	Cup Holder Left

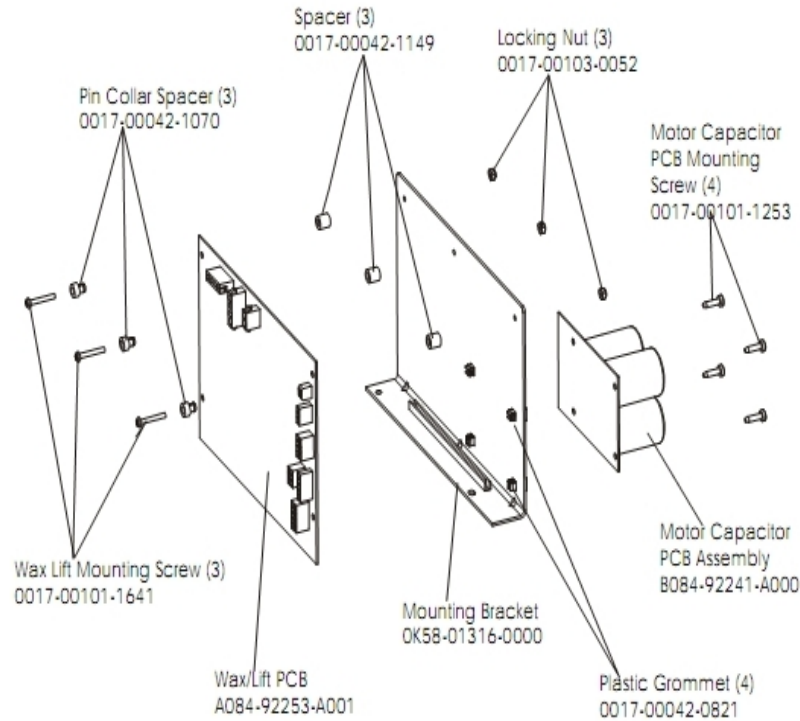
## Scuff Pad, Tinsel and Frame Tag Board

---



Ref #	Part Number	Qty	Description
-	OK58-01376-0000	2	Anti-Scuff Pad
-	0017-00009-0901	1	Tinsel Extension Spring
-	OK58-01102-0001	1	Anti-Static Tinsel
-	B084-92187-D000	1	Frame Tag PCB

## Wax/Lift Assembly



Ref #	Part Number	Qty	Description
-	0017-00101-1253	4	Hardware: Screw
-	0017-00101-1641	3	Hardware: Phillips Pan Screw
-	0017-00042-0821	4	Hardware: Plastic Grommet
-	B084-92241-A000	1	Motor Capacitor PCB Assembly
-	A084-92253-A002	1	Wax/Lift PCB
-	OK58-01316-0000	1	Mounting Bracket
-	AK58-00296-0001	1	Programmed Circuit Board: Wax-Lift Assembly
-	0017-00103-0052	3	Hardware: Locking Nut ID
-	0017-00042-1070	3	Pin Collar Spacer
-	0017-00042-1149	3	Spacer

