

Integrity Series Treadmill

97TWEZ-0100-07

Parts Manual

1/5/2019 12:00:45 PM

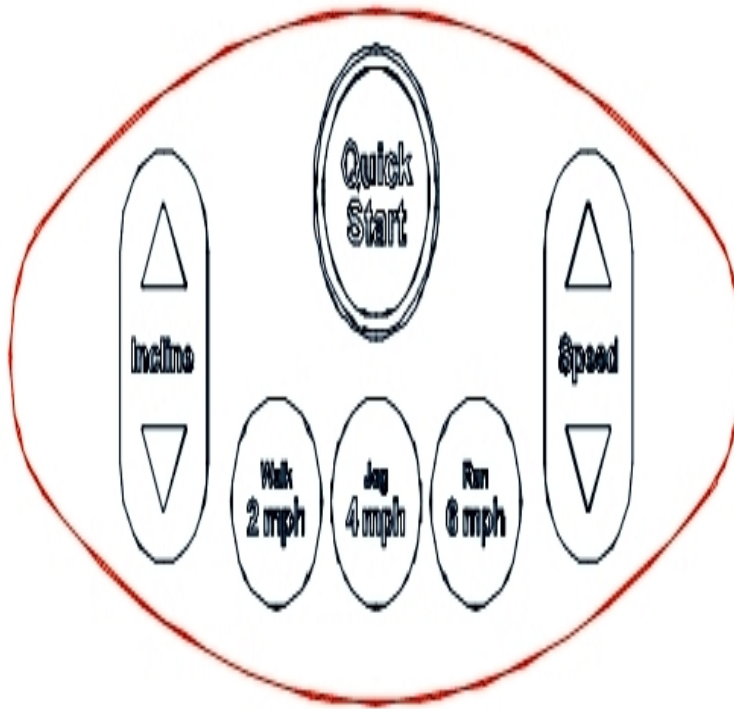


LifeFitness
WHAT WE LIVE FOR

Table of Contents

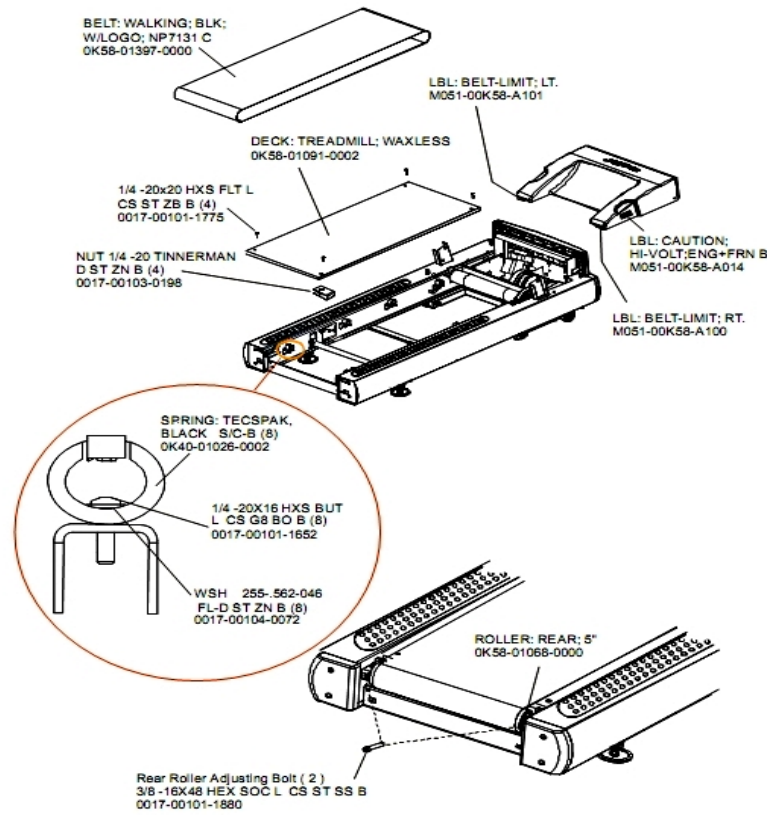
Activity Zone Module	3
Belt, Deck and Rear Rollers	4
Cables	5
Console Assembly	7
Console Components	8
Drive Motor Assembly	9
DSP Controller Assembly	10
Ergo Bar, Heart Rate Sensors and Activity Zone	11
Front Roller Assembly	12
Idler Arm Assembly	13
Leg Leveler Assembly	14
Lift Frame and Receptacle Assembly	15
Lift Motor Assembly	16
Line Cords and Line Cord Options	17
Motor Cover, Front Cover and Front End Caps	18
On/Off Switch, Access Plate and Grommets	19
Rear End Caps and Cup Holders	20
References	21
Scuff Pad and Tinsel	23
Stride Sensor and Stride Sensor PCB Assembly	24
Uprights and Handrails	25

Activity Zone Module



Ref #	Part Number	Qty	Description
-	AK58-00555-0002	1	Activity Zone Assembly: English/Metric
-	0K58-01459-0002	1	Activity Zone Overlay English/Metric

Belt, Deck and Rear Rollers



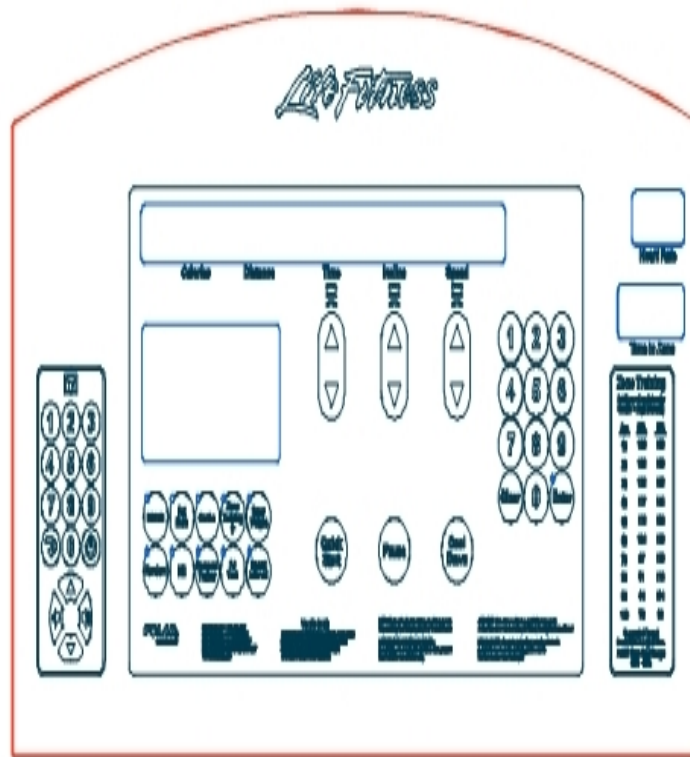
Ref #	Part Number	Qty	Description
-	0017-00103-0198	4	Hardware: Tinnerman Clip 1/4" ID
-	0017-00101-1775	4	Hardware: Deck Screws 1.25"
-	0K40-01026-0002	8	Deck Spring
-	0K58-01397-0000	1	Striding Belt
-	0017-00101-1880	1	Hardware: Tension Bolts 3"
-	0017-00104-0072	8	Hardware: Flat Washer 0.562" OD
-	0K58-01068-0000	1	Rear Roller - 5"
-	0017-00101-1652	8	Hardware: Spring Mounting Screw 1"
-	0K65-01263-0000	1	Deck

Cables

Ref #	Part Number	Qty	Description
-	AK58-00081-0000	1	Jumper Cable Assembly: Black - 4"
-	AK58-00036-0000	1	Cable-Assembly: Emergency-Stop Switch
-	AK58-00597-0000	1	Cable Extension ISO Sensor
-	AK58-00083-0000	1	Cable Assembly
-	AK58-00034-0001	1	Console Power Cable
-	AK32-00020-0002	1	Coax Cable: 120"
-	AK32-00078-0001	1	Power Extension Cable: 120"
-	AK58-00524-0000	1	Cable: Thermal Adapter
-	AK58-00263-0000	1	Hi-Pot Jumper Cable
-	AK58-00520-0000	1	Power Cable Assembly: 100-120V
-	AK32-00147-0001	1	Cable Headphone Assembly - C-Safe
-	AK58-00082-0000	1	Jumper Cable Assembly: White - 6"
-	AK58-00598-0000	1	Cable: ISO Power
-	AK58-00032-0000	1	User Proximity Sensor Cable
-	0017-00003-1015	1	20 amp Line Filter (DOM)
-	AK60-00009-0001	1	Negative Switch Cable Assembly
-	AK58-00522-0000	1	Cable: Jumper; Power; LED Console
-	AK58-00224-0001	1	Cable: MOV; Fliter
-	AK58-00083-0001	1	Jumper Cable Assembly: Green/Yellow - 7"
-	AK58-00027-0000	1	Limit Switch Cable
-	AK58-00031-0000	1	Side Console Cable Assembly
-	AK58-00041-0001	1	Heart Rate Sensor Cable

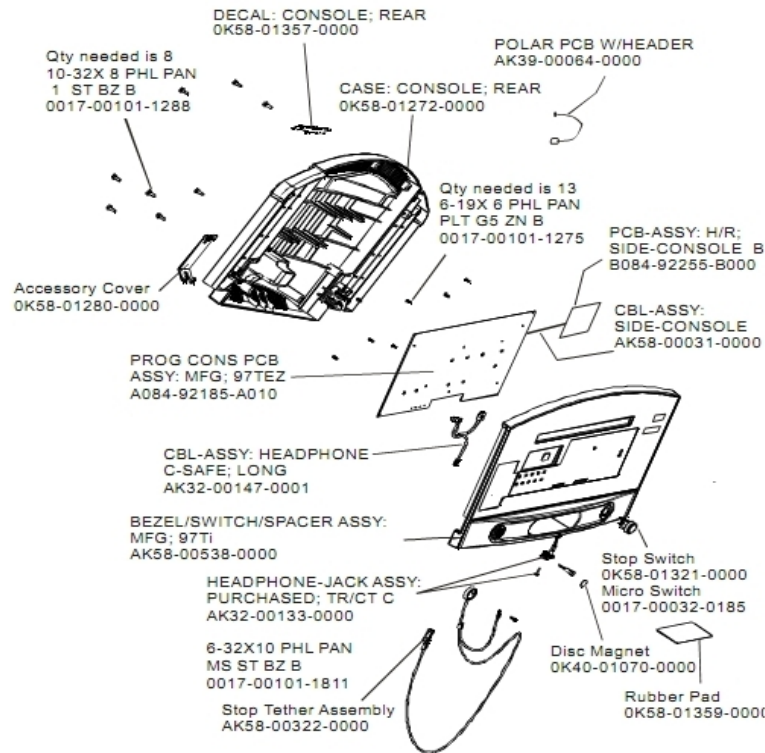
Ref #	Part Number	Qty	Description
-	AK58-00237-0000	1	Cable-Assembly: Polar/E-Stop

Console Assembly



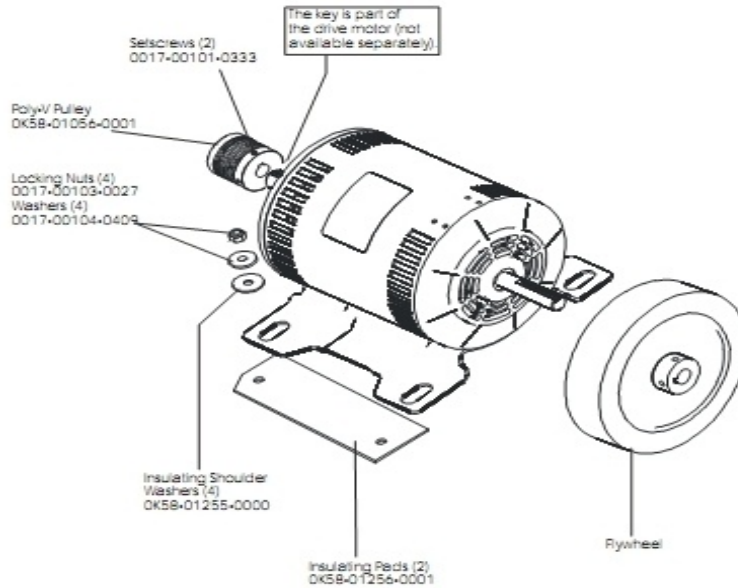
Ref #	Part Number	Qty	Description
-	0K58-01439-0001	1	Overlay English/Metric
-	AK58-00549-0002	1	Bezel Switch with Overlay: English/Metric
-	AK58-00590-0002	1	Console: English/Metric

Console Components



Ref #	Part Number	Qty	Description
-	0017-00101-1288	8	Hardware: Phillips Screw 0.5"
-	0017-00101-1275	13	Hardware: Phillips Screw 0.375"
-	B084-92255-B000	1	PCB Assembly
-	AK58-00322-0000	1	Tether Stop Assembly
-	OK58-01272-0000	1	Rear Console Case
-	OK58-01280-0000	1	Accessory Cover
-	0017-00032-0185	1	Micro Switch 150GR
-	A084-92185-A010	1	PCB Assembly
-	OK58-01357-0000	1	Decal
-	118E-00001-0259	1	Wireless Receiver Module, Non-Coded
-	OK40-01070-0000	1	Magnetic Disk
-	OK58-01359-0000	1	Rubber Pad
-	AK58-00031-0000	1	Side Console Cable Assembly
-	AK32-00133-0000	1	Headphone Jack Assembly
-	AK58-00538-0000	1	Bezel Switch/Spacer
-	OK58-01321-0000	1	Stop Switch
-	0017-00101-1811	1	Hardware: Phillips Pan Screw 0.625"
-	AK32-00147-0001	1	Cable Headphone Assembly - C-Safe

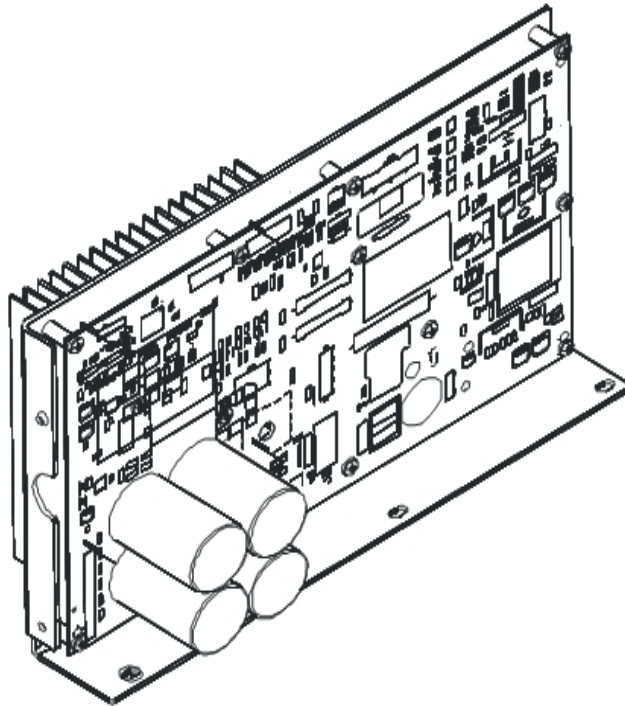
Drive Motor Assembly



Description	Part Nos.	
	S/N TSW100000–TSW100002	S/N TSW100003 and up
Drive Motor Assembly	AK58-00171-0001 (dual cable)	AK58-00171-0002 (tapered shaft)
Cast Iron Flywheel	0K58-01092-0002	0K58-01092-0004
Flywheel Setscrews/Bolt	0017-00101-0975 (uses setscrews)	0017-00101-1885 (uses bolt)

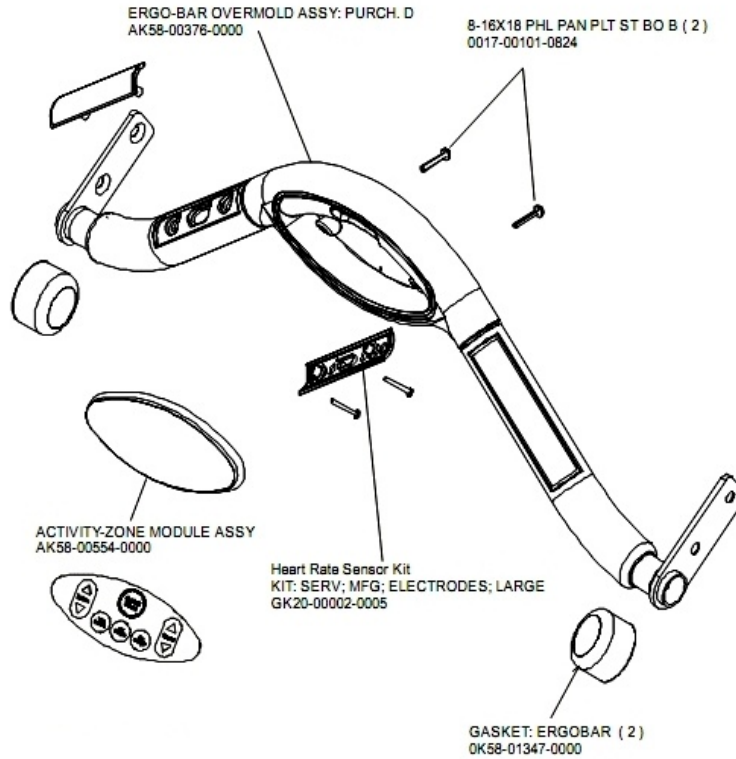
Ref #	Part Number	Qty	Description
-	0K58-01255-0000	4	Hardware: Insulating Washers
-	0K58-01256-0001	2	Insulating Pad
-	0K58-01386-0004	1	MOTOR: MAIN DRIVE, 230V/50HZ, W/TAPER
-	0017-00104-0409	4	Hardware: Washer 1.125" OD
-	0017-00101-0333	2	Hardware: Screw 0.3125"
-	0017-00101-1885	1	Hardware: Hex Bolt 1"
-	0K58-01092-0002	1	Cast Iron Flywheel
-	0017-00103-0027	4	Hardware: Locking Nut. 5/16" ID
-	0017-00101-0975	1	Hardware: Mounting Bolt 0.375"
-	AK58-00171-0001	1	Drive Motor Assembly
-	0K58-01092-0004	1	Cast Iron Flywheel

DSP Controller Assembly



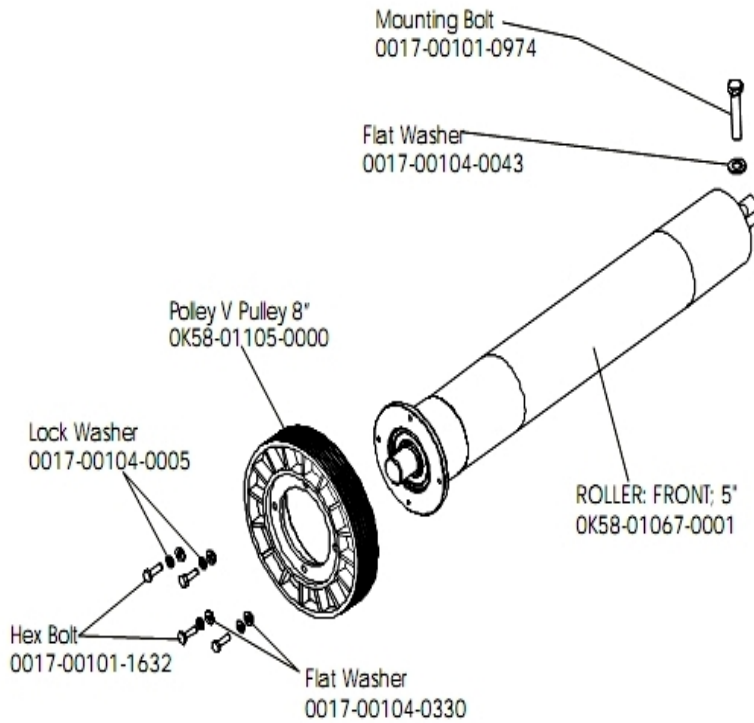
Ref #	Part Number	Qty	Description
-	GK58-00002-0118	1	Display Controller 100-120; LED
-	AK65-00071-0007	1	DSP Motor Controller with Cable(100-120V)
-	GK58-00002-0118	1	Display Controller 100-120; LED
-	GK58-00002-0118	1	Display Controller 100-120; LED
-	GK58-00002-0118	1	Display Controller 100-120; LED

Ergo Bar, Heart Rate Sensors and Activity Zone



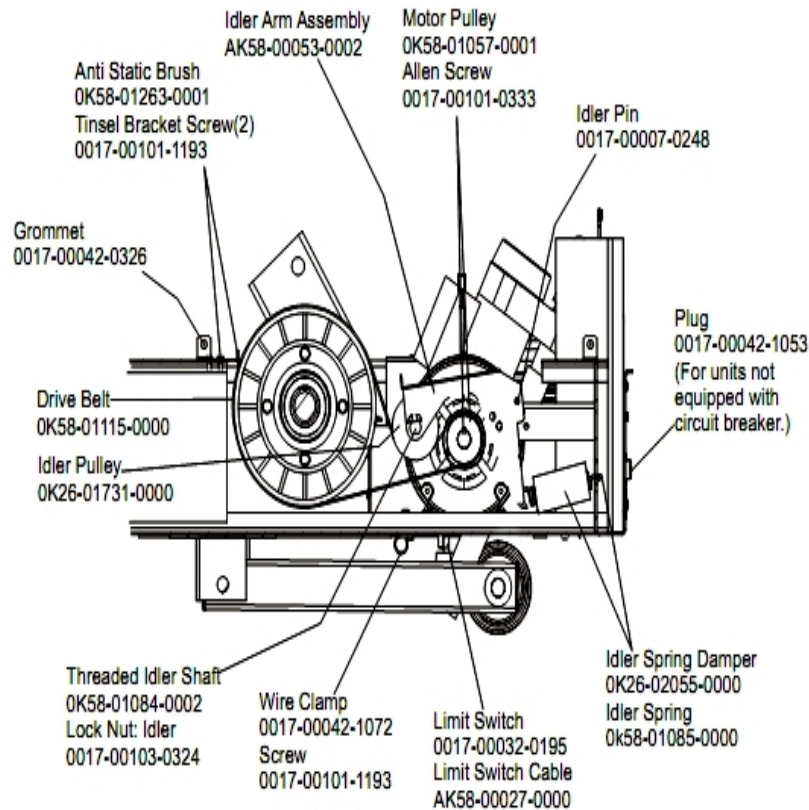
Ref #	Part Number	Qty	Description
-	AK58-00554-0201	1	Activity-Zone Module Assembly: Purchased; Generic Shadow Grey
-	GK20-00002-0005	1	Heart Rate Electrode Kit
-	0017-00101-0824	1	Hardware: Screw 1.125"
-	AK58-00376-0001	1	Ergo-Bar Overmold Assembly
-	0K58-01347-0000	1	ErgoBar Gasket

Front Roller Assembly



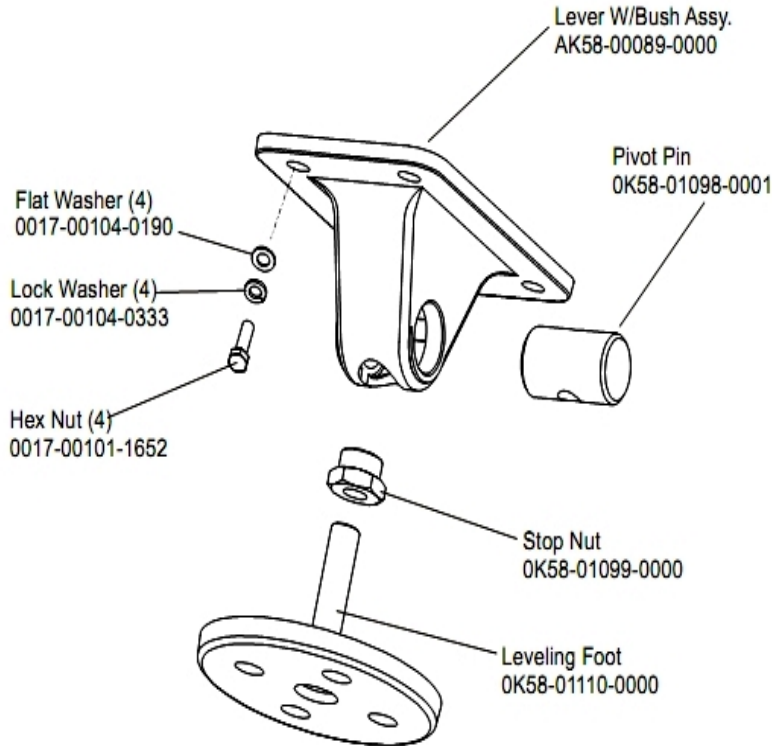
Ref #	Part Number	Qty	Description
-	0017-00101-0974	1	Hardware: Mounting Bolt 2"
-	0017-00104-0043	1	Hardware: Flat Washer 0.734" OD
-	0017-00104-0005	4	Hardware: Lock Washer 0.489" OD
-	AK58-00067-0000	1	Front Roller Assembly
-	0017-00101-1632	4	Hardware: Hex Bolt 0.875"
-	0K58-01105-0000	1	Drive Pulley Poly V - 8"
-	0K58-01067-0001	1	Front Roller - 5"
-	0017-00104-0330	4	Hardware: Flat Washers 0.562" OD

Idler Arm Assembly



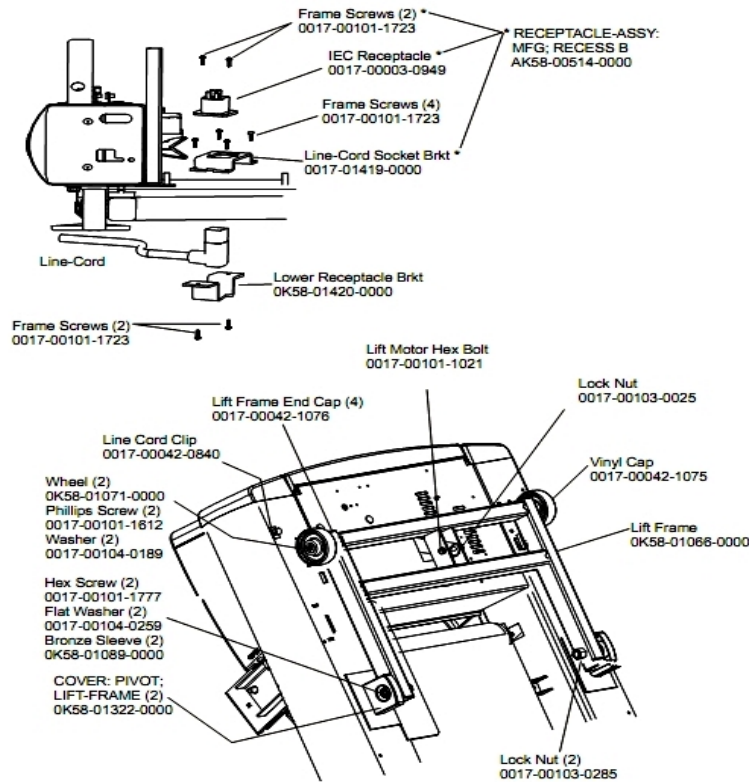
Ref #	Part Number	Qty	Description
-	OK58-01057-0001	1	Drive Pulley - 1.971"
-	AK58-00053-0002	1	Idler Arm Assembly
-	0017-00042-1053	1	Plug (For units not equipped with circuit breaker.)
-	0017-00103-0324	1	Hardware: Thin Lock Nut 3/8" ID
-	AK58-00027-0000	1	Limit Switch Cable
-	OK26-01731-0000	1	Plastic Idler 2 5/8" OD
-	OK26-02055-0000	1	Spring Damper
-	0017-00032-0195	1	Home Switch
-	0017-00042-1072	1	Hardware: Wire Clamp - 5/8"
-	OK58-01084-0002	1	Threaded Shaft
-	0017-00007-0248	1	Hardware: Locking Pin .31" D 2.125" L
-	0017-00042-0326	1	Hardware: Plastic Grommet
-	0017-00101-1193	3	Hardware: Screw 0.375"
-	OK58-01085-0000	1	Extension Spring
-	OK58-01263-0001	1	Tinsel Bracket
-	0017-00101-0333	1	Hardware: Screw 0.3125"
-	GK58-00002-0129	1	KIT: TREADMILL BELT AND PULLEY

Leg Leveler Assembly



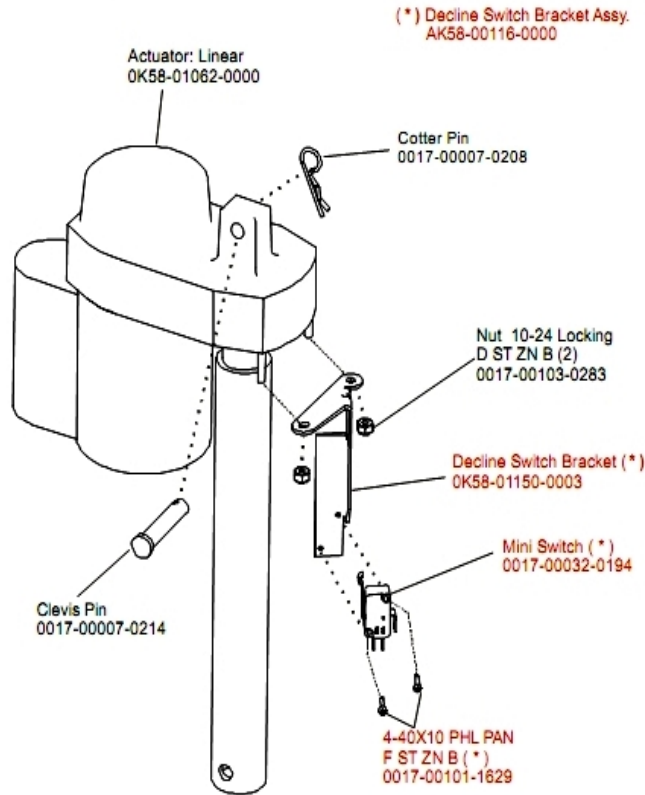
Ref #	Part Number	Qty	Description
-	OK58-01110-0000	1	Leveler Foot
-	OK58-01099-0000	1	Hardware: Stop Nut
-	AK58-00464-0000	1	Leveler Assembly
-	0017-00104-0190	4	Hardware: Flat Washer 0.734" OD
-	0017-00104-0333	4	Hardware: Washer 0.683" OD
-	OK58-01098-0001	1	Hardware: Pivot Pin
-	AK58-00089-0000	1	Bracket Leveler
-	0017-00101-1652	4	Hardware: Spring Mounting Screw 1"

Lift Frame and Receptacle Assembly



Ref #	Part Number	Qty	Description
-	AK58-00220-0000	1	LIFT-FRAME ASSY: MFG. C
-	0K58-01420-0000	1	Lower Receptacle Bracket
-	0K58-01089-0000	2	Bronze Sleeve Bushings
-	0017-00042-0840	1	Hardware: Push Mount Clip
-	0K58-01071-0000	2	Wheel
-	0017-00042-1075	1	Vinyl Cap
-	0017-00101-1612	2	Hardware: Phillips Screw 0.5"
-	0017-00104-0259	2	Hardware: Washer 1.331" OD
-	0017-00103-0025	1	Hardware: Locking Nut 3/8" ID
-	0017-00101-1021	1	Hardware: Lift Motor Hex Bolt 2.5"
-	0017-00003-0949	1	IEC Receptacle
-	0K58-01322-0000	2	Lift Frame Pivot Cover
-	0K58-01419-0000	1	Line Cord Socket Bracket
-	0017-00104-0189	2	Hardware: Flat Washer 1" OD
-	0017-00101-1777	2	Hardware: Lift Frame Mounting Bolt 2.75"
-	AK58-00514-0000	1	Receptacle Assembly
-	0017-00101-1723	8	Hardware: Phillips Pan Screw 0.375"
-	0017-00103-0285	2	Hardware: Nut 5/8" ID
-	0017-00042-1076	4	Lift Frame End Cap

Lift Motor Assembly

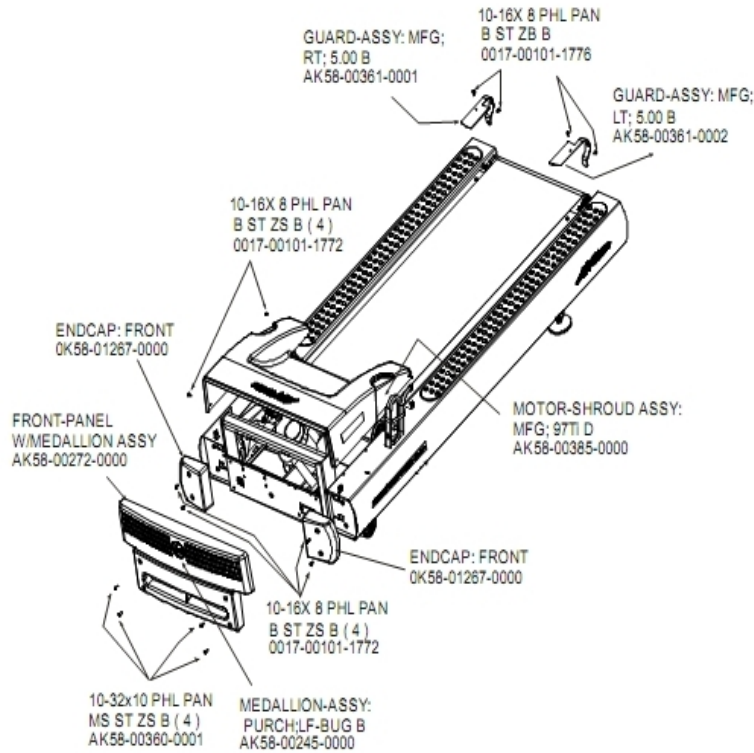


Ref #	Part Number	Qty	Description
-	AK58-00075-0000	1	Lift Motor Bracket Assembly
-	AK58-00116-0000	1	Switch Bracket Assembly
-	0017-00032-0194	1	Mini Switch; SPDT
-	0017-00007-0208	2	Hardware: Cotter Pin
-	0017-00101-1629	1	Hardware: Phillips Pan Screw 0.625"
-	0K58-01062-0000	1	Lift Motor - 120/60
-	0017-00007-0214	2	Hardware: Clevis Pin 3/8" D 1.75" L
-	0K58-01150-0003	1	Decline Switch Bracket
-	0017-00103-0283	2	Hardware: Locking Nut ID

Line Cords and Line Cord Options

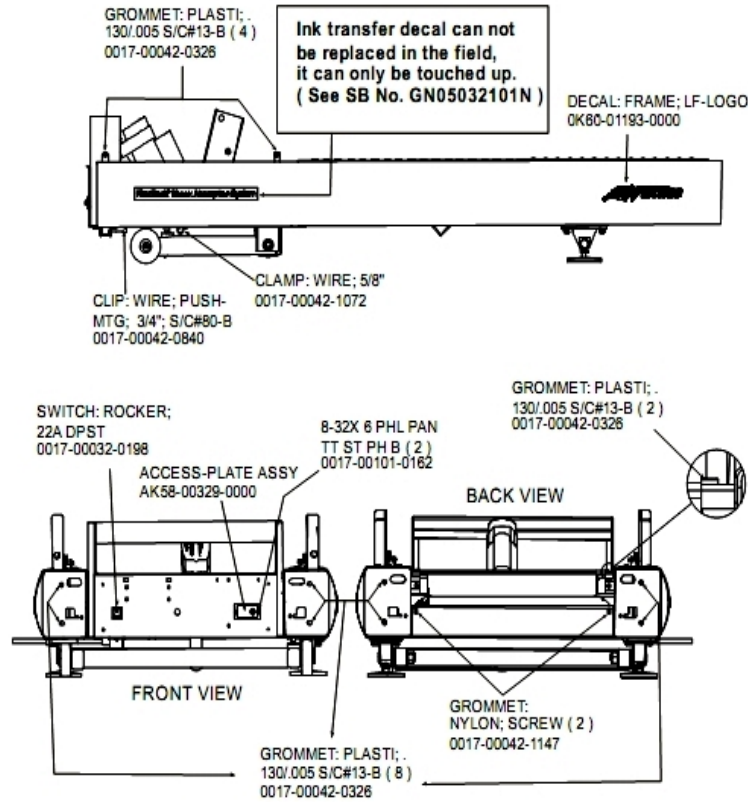
Ref #	Part Number	Qty	Description
-	0017-00003-0980	1	Line Cord: US Low Voltage 144"
-	0017-00003-0915	1	Line Cord RT Angle Plug
-	0017-00003-0947	1	Line Cord: 120V; 20A; 12'

Motor Cover, Front Cover and Front End Caps



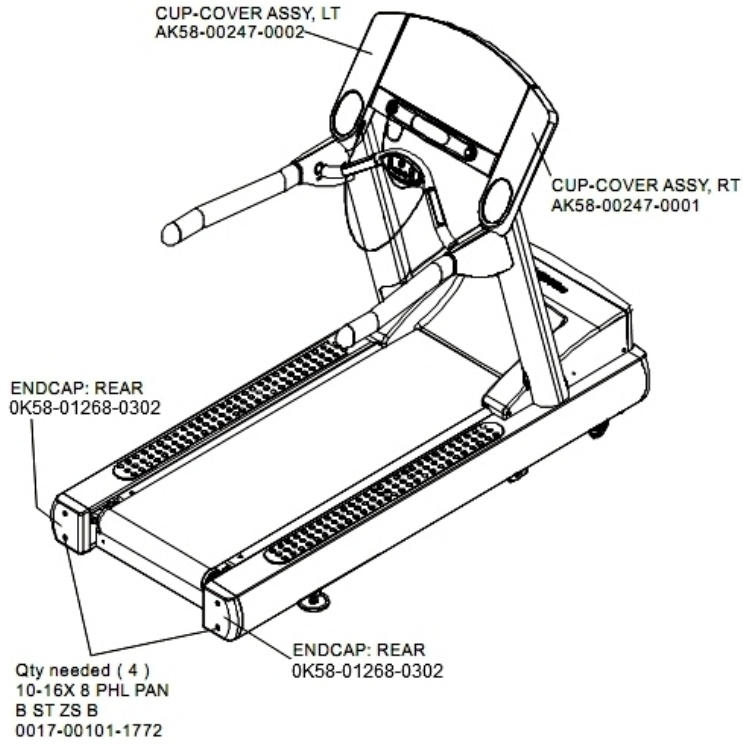
Ref #	Part Number	Qty	Description
-	AK58-00360-0001	1	Rear Roller Guard: Right
-	0017-00101-1772	2	Hardware: Phillips Pan Screw 0.5"
-	AK58-00245-0000	1	Bug Medallion
-	OK58-01267-0000	2	End Cap
-	0017-00101-1776	1	Hardware: Mounting Screw 0.5"
-	AK58-00272-0000	1	Front Panel with Medallion
-	OK58-01391-0001	1	Rear Roller Guard Right
-	OK58-01391-0002	1	Rear Roller Guard Left
-	AK58-00385-0000	1	Motor Cover

On/Off Switch, Access Plate and Grommets



Ref #	Part Number	Qty	Description
-	0017-00101-0162	1	Hardware: Screw 0.375"
-	AK58-00329-0000	1	Access Panel Assembly
-	0017-00042-0840	1	Hardware: Push Mount Clip
-	OK60-01193-0000	1	Decal: LF Logo
-	0017-00032-0198	1	On/Off Switch 22A
-	0017-00042-0326	3	Hardware: Plastic Grommet
-	0017-00042-1147	1	Hardware: Nylon Grommet
-	0017-00042-1072	1	Hardware: Wire Clamp - 5/8"

Rear End Caps and Cup Holders



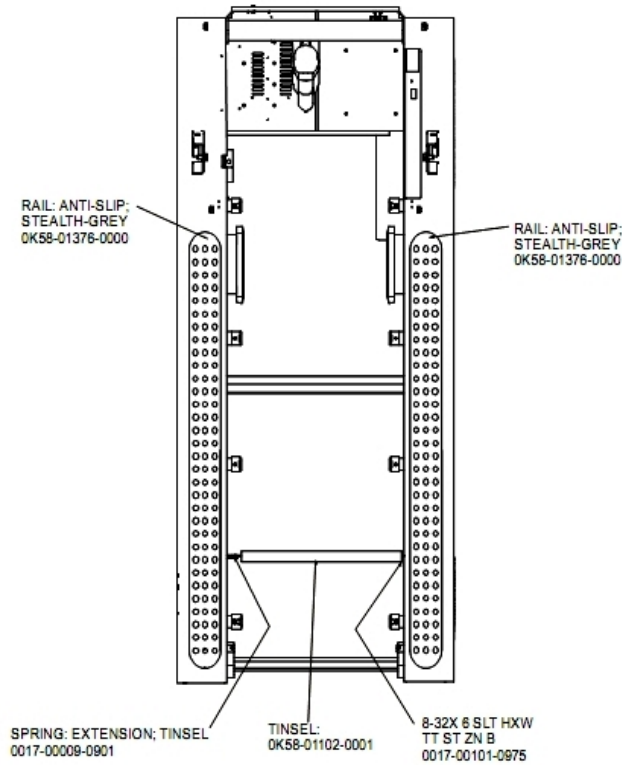
Ref #	Part Number	Qty	Description
-	OK58-01268-0302	2	ENDCAP: REAR; STEALTH D
-	AK58-00247-0001	1	Cup Holder Right
-	AK58-00247-0002	1	Cup Holder Left
-	0017-00101-1772	4	Hardware: Phillips Pan Screw 0.5"

References

Ref #	Part Number	Qty	Description
-	0017-00008-0205	1	5 oz Bottle - Arctic Silver
-	M051-00K58-B128	1	Service Instructions - Roller Guards
-	0017-00009-1049	1	Torx Wrench
-	0017-00101-1773	6	Hardware: TORX Screw 0.5"
-	AK58-00226-0000	1	Hardware Bag
-	0017-00008-0204	1	Paint Spray Can - Arctic Silver
-	0017-00042-0840	5	Hardware: Push Mount Clip
-	0017-00101-1770	6	Hardware: Phillips Pan Screw 0.5"
-	0K58-01376-0000	2	Anti-Scuff Pad
-	0017-00101-1772	6	Hardware: Phillips Pan Screw 0.5"
-	0K58-01347-0000	2	ErgoBar Gasket
-	0017-00101-1778	4	Hardware: Hex Bolt 1"
-	0017-00008-0206	1	.33oz Pen - Arctic Silver
-	0017-00042-0326	4	Hardware: Plastic Grommet
-	0017-00042-1147	2	Hardware: Nylon Grommet
-	0017-00103-0327	4	Hardware: Hex Nut 5/16" ID
-	0K58-01305-0002	2	Upright Plug
-	0017-00008-0211	1	Paint: Shadow-Gray Touch Up: .6 OZ Bottle
-	0017-00101-1774	4	Hardware: TORX Screw 2.5"
-	0017-00101-1780	8	Hardware: Mounting Screws
-	GK58-00002-0071	1	Anti-Slip Rail
-	0K58-01391-0001	1	Rear Roller Guard Right

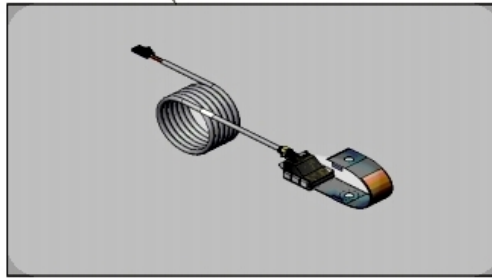
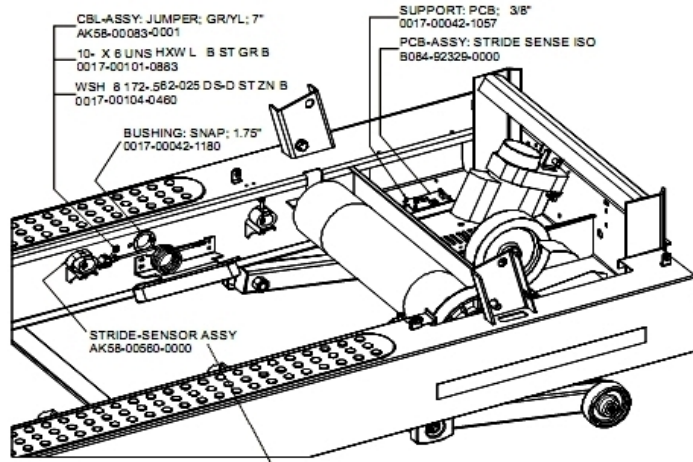
Ref #	Part Number	Qty	Description
-	0K58-01391-0002	1	Rear Roller Guard Left
-	0017-00008-0210	1	Paint: Shadow-Gray Touch Up: .6 OZ Bottle
-	0017-00101-1776	4	Hardware: Mounting Screw 0.5"
-	0017-00104-0325	4	Hardware: Washer 0.873" OD
-	GK58-00002-0096	1	Roller Guard kit

Scuff Pad and Tinsel



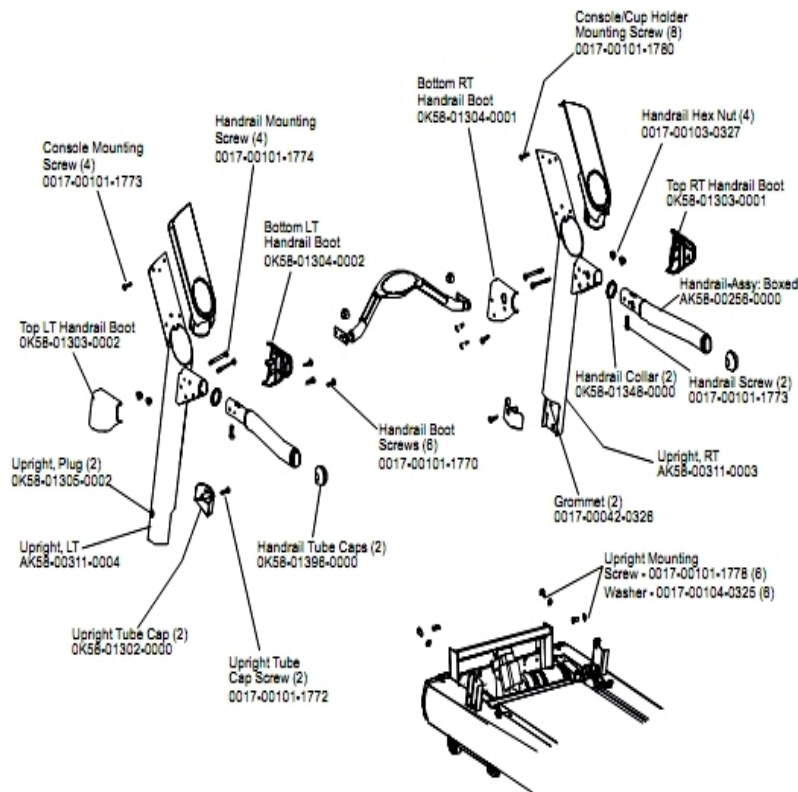
Ref #	Part Number	Qty	Description
-	0017-00101-0975	1	Hardware: Mounting Bolt 0.375"
-	0017-00009-0901	1	Tinsel Extension Spring
-	OK58-01102-0001	1	Anti-Static Tinsel
-	OK58-01376-0000	3	Anti-Scuff Pad

Stride Sensor and Stride Sensor PCB Assembly



Ref #	Part Number	Qty	Description
-	B084-92329-0000	1	PCB-ASSY: STRIDE SENSE ISO
-	AK58-00560-0000	1	Stride Sensor Assembly
-	0017-00101-0883	1	Hardware: Screw 0.375"
-	AK58-00083-0001	1	Jumper Cable Assembly: Green/Yellow - 7"
-	0017-00042-1180	1	Hardware: Snap Bushing - 1.75"
-	0017-00042-1057	1	Support: Printed Circuit Board; 3/8"
-	0017-00104-0460	1	Hardware: Lockwasher 0.562" OD

Uprights and Handrails



Ref #	Part Number	Qty	Description
-	OK58-01303-0001	1	Top Right Handrail Boot
-	0017-00101-1770	6	Hardware: Phillips Pan Screw 0.5"
-	0017-00101-1780	8	Hardware: Mounting Screws
-	AK58-00311-0003	1	Upright: Right
-	0017-00101-1778	6	Hardware: Hex Bolt 1"
-	0017-00101-1773	6	Hardware: TORX Screw 0.5"
-	OK58-01348-0000	2	Handrail Collar
-	0017-00104-0325	6	Hardware: Washer 0.873" OD
-	0017-00042-0326	2	Hardware: Plastic Grommet
-	0017-00103-0327	4	Hardware: Hex Nut 5/16" ID
-	OK58-01302-0103	2	Cap: Upright Tube; Arctic Silver
-	OK58-01305-0002	2	Upright Plug
-	AK58-00256-0001	1	Handrail
-	AK58-00311-0004	1	Upright: Left
-	0017-00101-1772	2	Hardware: Phillips Pan Screw 0.5"
-	OK58-01304-0002	1	Bottom Left Handrail Boot
-	OK58-01304-0001	1	Bottom Right Handrail Boot
-	OK58-01303-0002	1	Top Left Handrail Boot
-	OK58-01396-0000	2	Endcap
-	0017-00101-1774	4	Hardware: TORX Screw 2.5"

