

97Ti Treadmill w/EZ TV Console- 4HP AC - Heart Rate

97TWEZ-0101-07

Parts Manual

1/5/2019 12:00:45 PM

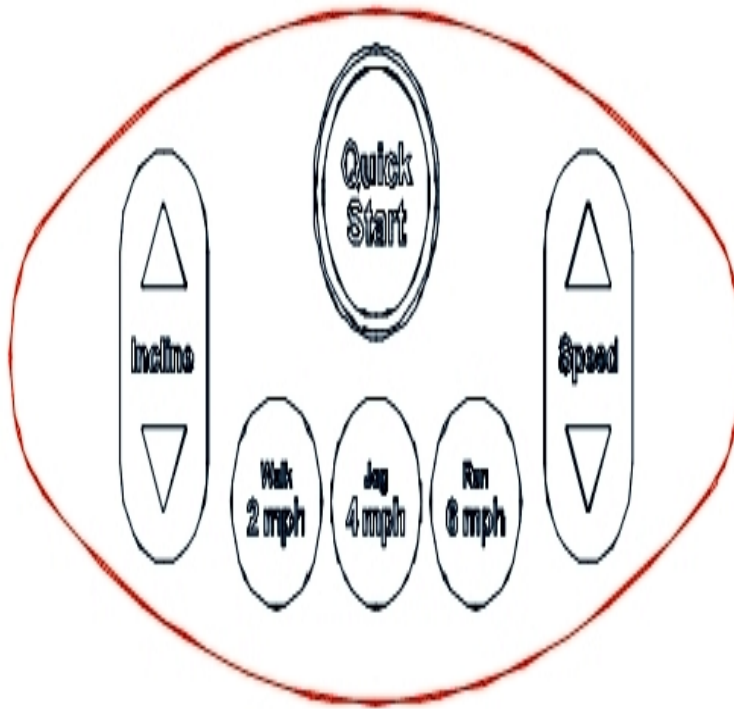


LifeFitness
WHAT WE LIVE FOR

Table of Contents

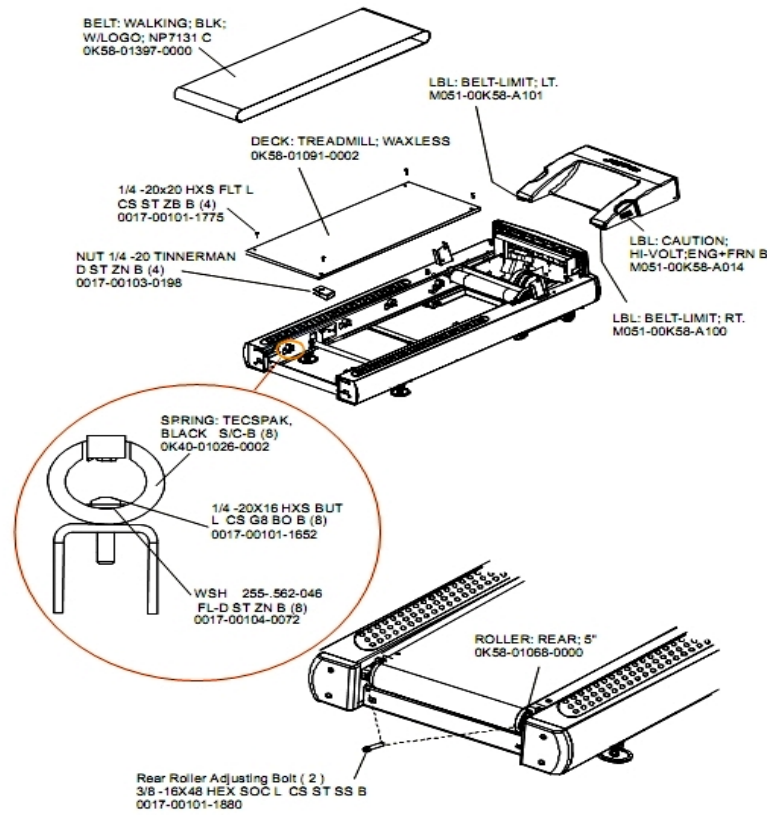
Activity Zone Module	3
Belt, Deck, and Rear Roller	4
Cables	5
Console Assembly	7
Console Components	8
Drive Motor Assembly	9
Drive Motor Assembly (100000-100002)	10
Drive Motor Assembly (100003 and Up)	11
DSP Controller Assembly	12
Ergo Bar, Heart Rate Sensors and Activity Zone	13
Front Roller Assembly	14
Idler Arm Assembly	15
Leg Leveler Assembly	16
Lift Frame and Receptacle Assembly	17
Lift Motor Assembly	18
Line Cords and Line Cord Options	19
Motor Cover, Front Cover and End Caps	20
On/Off Switch, Access Plate and Grommets	21
Rear End Caps and Cup Holders	22
References	23
Scuff Pad and Tinsel	25
Stride Sensor Assembly and Stride Sensor	26
Uprights and Handrails	27

Activity Zone Module



Ref #	Part Number	Qty	Description
-	0K58-01459-0002	1	Activity Zone Overlay English/Metric
-	AK58-00555-0002	1	Activity Zone Assembly: English/Metric

Belt, Deck, and Rear Roller



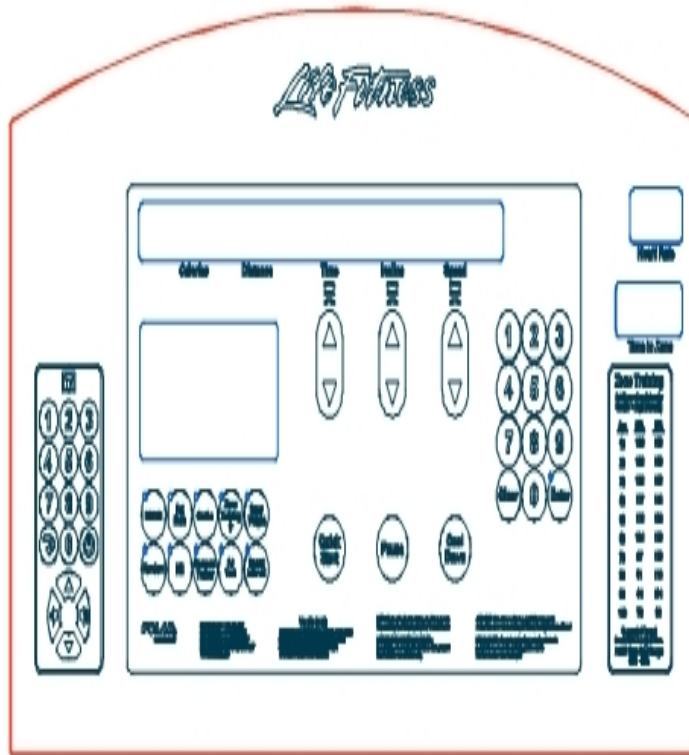
Ref #	Part Number	Qty	Description
-	0017-00101-1775	4	Hardware: Deck Screws 1.25"
-	0K40-01026-0002	8	Deck Spring
-	0K58-01397-0000	1	Striding Belt
-	0K65-01263-0000	1	Deck
-	0K58-01068-0000	1	Rear Roller - 5"
-	0017-00104-0072	8	Hardware: Flat Washer 0.562" OD
-	0017-00101-1652	8	Hardware: Spring Mounting Screw 1"
-	0017-00101-1880	1	Hardware: Tension Bolts 3"
-	0017-00103-0198	4	Hardware: Tinnerman Clip 1/4" ID

Cables

Ref #	Part Number	Qty	Description
-	AK58-00524-0000	1	Cable: Thermal Adapter
-	AK60-00009-0001	1	Negative Switch Cable Assembly
-	AK58-00082-0000	1	Jumper Cable Assembly: White - 6"
-	0017-00003-0898	1	10 amp Line Filter (INT)
-	AK58-00083-0000	1	Cable Assembly
-	AK58-00034-0001	1	Console Power Cable
-	AK58-00597-0000	1	Cable Extension ISO Sensor
-	AK32-00147-0001	1	Cable Headphone Assembly - C-Safe
-	AK58-00224-0001	1	Cable: MOV; Fliter
-	AK58-00083-0001	1	Jumper Cable Assembly: Green/Yellow - 7"
-	AK58-00036-0000	1	Cable-Assembly: Emergency-Stop Switch
-	0017-00003-0626	1	CIRCUIT-BREAKER:2A 200-240V
-	AK58-00596-0001	1	Power Cable: 230-240V
-	AK58-00210-0000	1	Transformer-Bracket Assembly
-	AK58-00032-0000	1	User Proximity Sensor Cable
-	AK58-00598-0000	1	Cable: ISO Power
-	AK58-00027-0000	1	Limit Switch Cable
-	AK58-00081-0000	1	Jumper Cable Assembly: Black - 4"
-	AK58-00263-0000	1	Hi-Pot Jumper Cable
-	AK32-00020-0002	1	Coax Cable: 120"
-	AK58-00041-0001	1	Heart Rate Sensor Cable
-	AK58-00031-0000	1	Side Console Cable Assembly

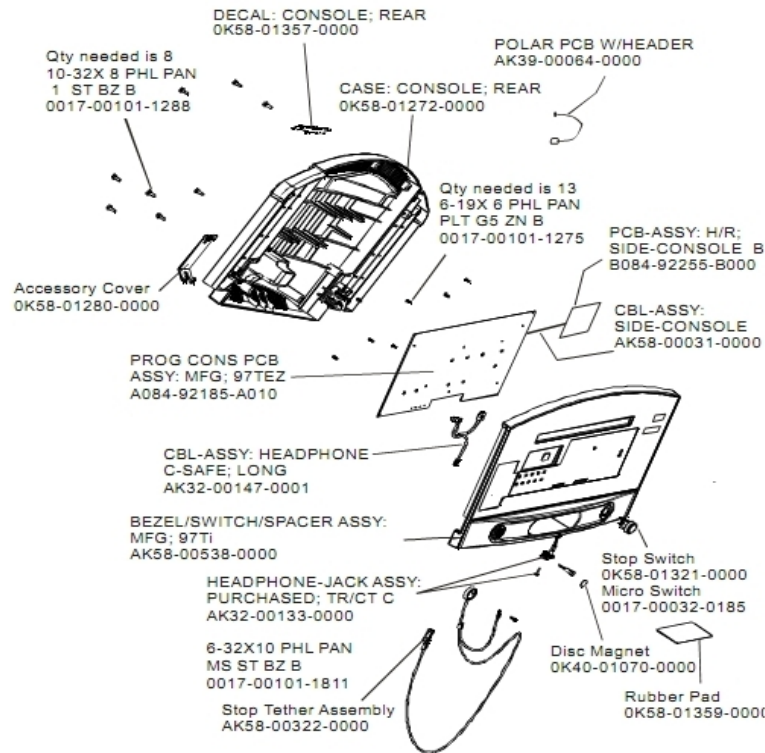
Ref #	Part Number	Qty	Description
-	AK58-00237-0000	1	Cable-Assembly: Polar/E-Stop
-	AK58-00522-0000	1	Cable: Jumper; Power; LED Console
-	AK32-00078-0001	1	Power Extension Cable: 120"

Console Assembly



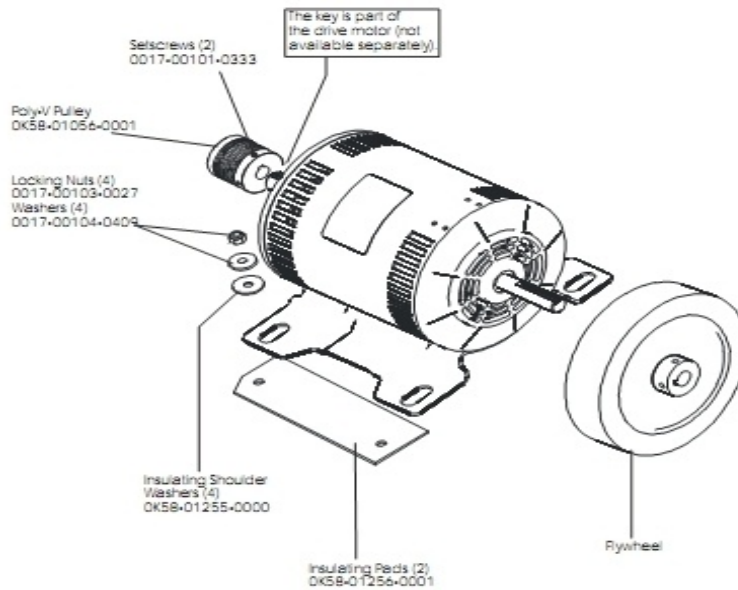
Ref #	Part Number	Qty	Description
-	AK58-00590-0002	1	Console: English/Metric
-	AK58-00549-0002	1	Bezel Switch with Overlay: English/Metric
-	OK58-01439-0001	1	Overlay English/Metric

Console Components



Ref #	Part Number	Qty	Description
-	OK40-01070-0000	1	Magnetic Disk
-	AK32-00147-0001	1	Cable Headphone Assembly - C-Safe
-	OK58-01280-0000	1	Accessory Cover
-	0017-00032-0185	1	Micro Switch 150GR
-	OK58-01359-0000	1	Rubber Pad
-	AK58-00031-0000	1	Side Console Cable Assembly
-	AK32-00133-0000	1	Headphone Jack Assembly
-	0017-00101-1288	8	Hardware: Phillips Screw 0.5"
-	0017-00101-1275	13	Hardware: Phillips Screw 0.375"
-	AK58-00322-0000	1	Tether Stop Assembly
-	OK58-01272-0000	1	Rear Console Case
-	AK58-00538-0000	1	Bezel Switch/Spacer
-	OK58-01321-0000	1	Stop Switch
-	0017-00101-1811	1	Hardware: Phillips Pan Screw 0.625"
-	118E-00001-0259	1	Wireless Receiver Module, Non-Coded
-	OK58-01357-0000	1	Decal
-	B084-92255-B000	1	PCB Assembly
-	A084-92185-A010	1	PCB Assembly

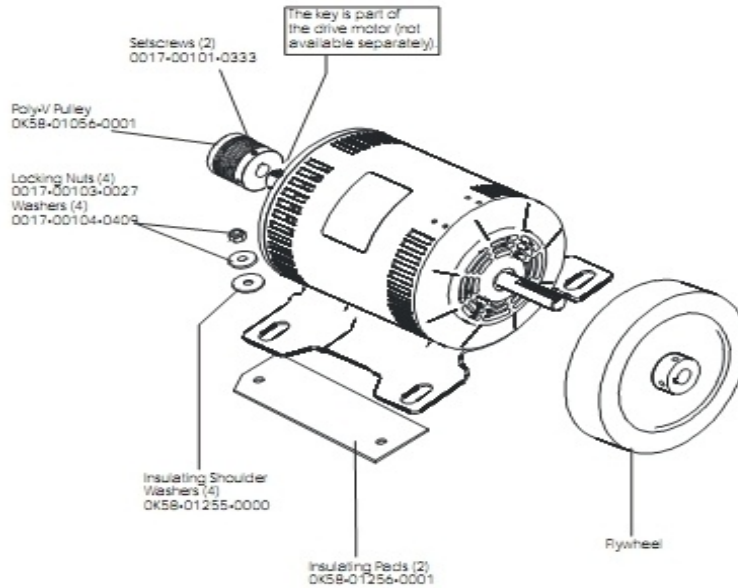
Drive Motor Assembly



Description	Part Nos.	
	S/N TSW100000–TSW100002	S/N TSW100003 and up
Drive Motor Assembly	AK58-00171-0001 (dual cable)	AK58-00171-0002 (tapered shaft)
Cast Iron Flywheel	0K58-01092-0002	0K58-01092-0004
Flywheel Setscrews/Bolt	0017-00101-0975 (uses setscrews)	0017-00101-1885 (uses bolt)

Ref #	Part Number	Qty	Description
-	0K58-01255-0000	4	Hardware: Insulating Washers
-	0017-00104-0409	4	Hardware: Washer 1.125" OD
-	0017-00103-0027	4	Hardware: Locking Nut. 5/16" ID
-	0K58-01256-0001	2	Insulating Pad
-	0017-00101-0333	2	Hardware: Screw 0.3125"

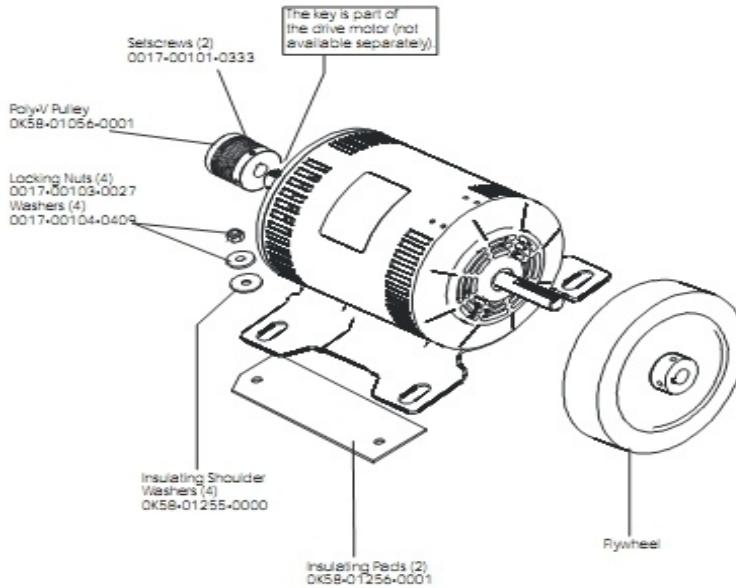
Drive Motor Assembly (100000-100002)



Description	Part Nos.	
	S/N TSW100000–TSW100002	S/N TSW100003 and up
Drive Motor Assembly	AK58-00171-0001 (dual cable)	AK58-00171-0002 (tapered shaft)
Cast Iron Flywheel	0K58-01092-0002	0K58-01092-0004
Flywheel Setscrews/Bolt	0017-00101-0975 (uses setscrews)	0017-00101-1885 (uses bolt)

Ref #	Part Number	Qty	Description
-	0017-00101-1885	1	Hardware: Hex Bolt 1"
-	0K58-01092-0002	1	Cast Iron Flywheel
-	AK58-00171-0001	1	Drive Motor Assembly

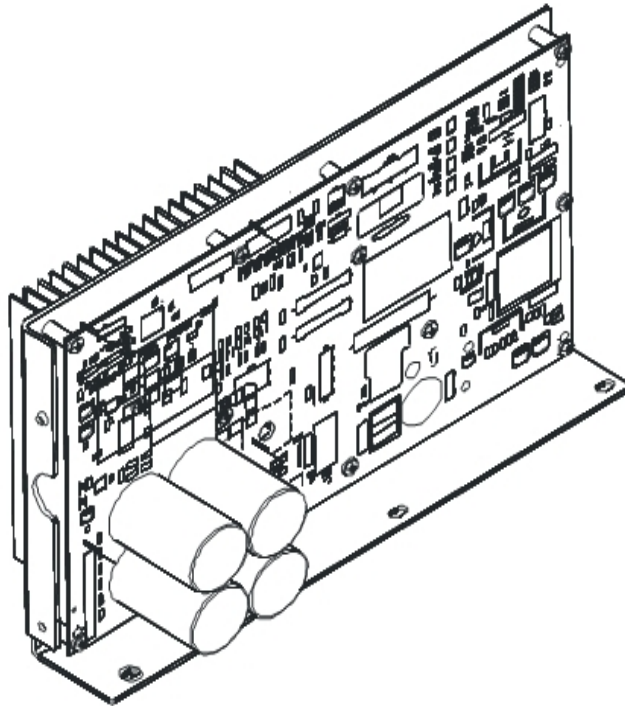
Drive Motor Assembly (100003 and Up)



Description	Part Nos.	
	S/N TSW100000–TSW100002	S/N TSW100003 and up
Drive Motor Assembly	AK58-00171-0001 (dual cable)	AK58-00171-0002 (tapered shaft)
Cast Iron Flywheel	0K58-01092-0002	0K58-01092-0004
Flywheel Setscrews/Bolt	0017-00101-0975 (uses setscrews)	0017-00101-1885 (uses bolt)

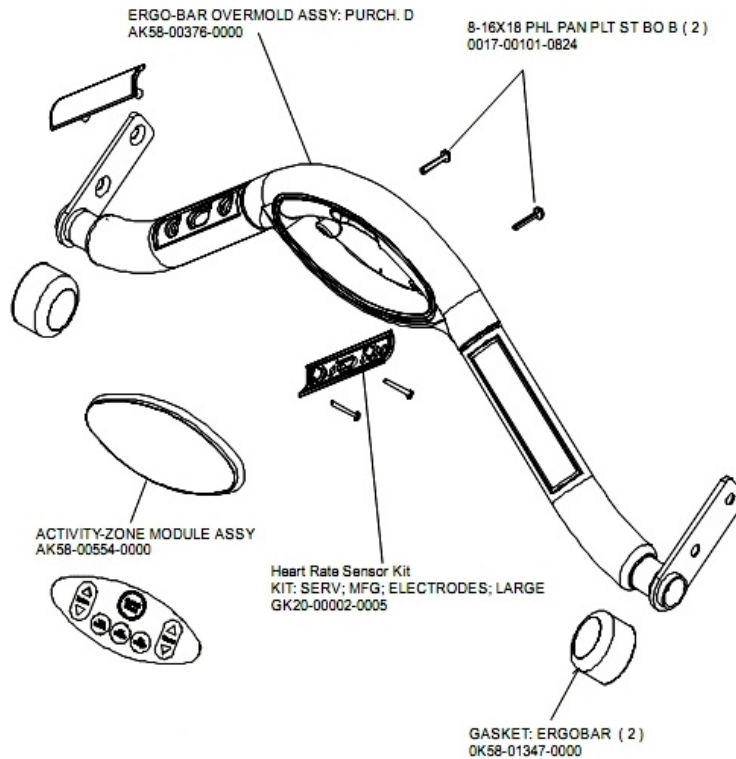
Ref #	Part Number	Qty	Description
-	0017-00101-1885	1	Hardware: Hex Bolt 1"
-	0K58-01092-0004	1	Cast Iron Flywheel
-	0K58-01386-0004	1	MOTOR: MAIN DRIVE, 230V/50HZ, W/TAPER

DSP Controller Assembly



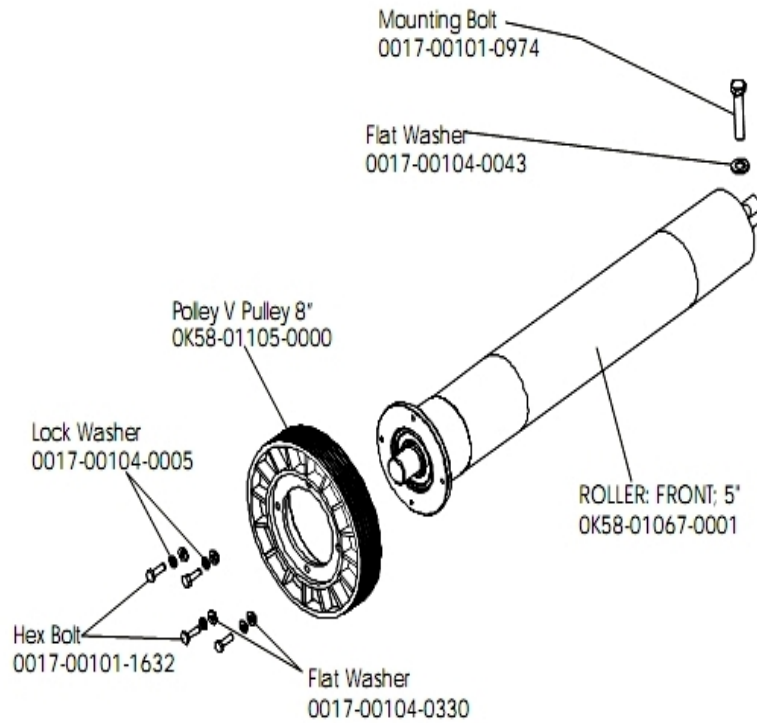
Ref #	Part Number	Qty	Description
-	GK58-00002-0120	1	Display Controller 200-240; LED
-	GK58-00002-0120	1	Display Controller 200-240; LED
-	GK58-00002-0120	1	Display Controller 200-240; LED
-	AK65-00071-0009	1	DSP Controller 200-240
-	GK58-00002-0120	1	Display Controller 200-240; LED

Ergo Bar, Heart Rate Sensors and Activity Zone



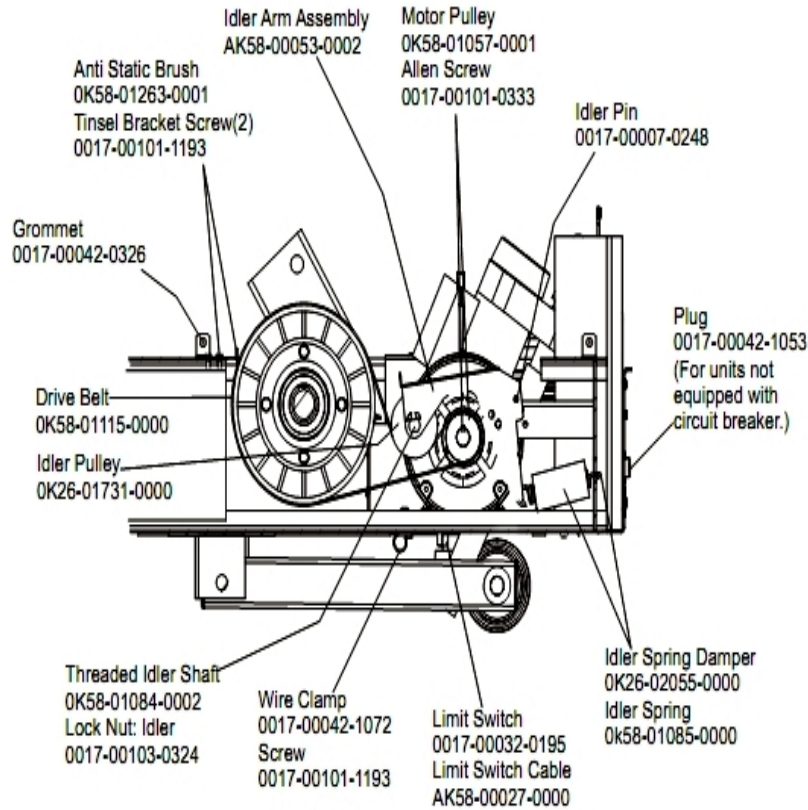
Ref #	Part Number	Qty	Description
-	AK58-00554-0201	1	Activity-Zone Module Assembly: Purchased; Generic Shadow Grey
-	GK20-00002-0005	2	Heart Rate Electrode Kit
-	0017-00101-0824	1	Hardware: Screw 1.125"
-	AK58-00376-0001	1	Ergo-Bar Overmold Assembly
-	0K58-01347-0000	1	ErgoBar Gasket

Front Roller Assembly



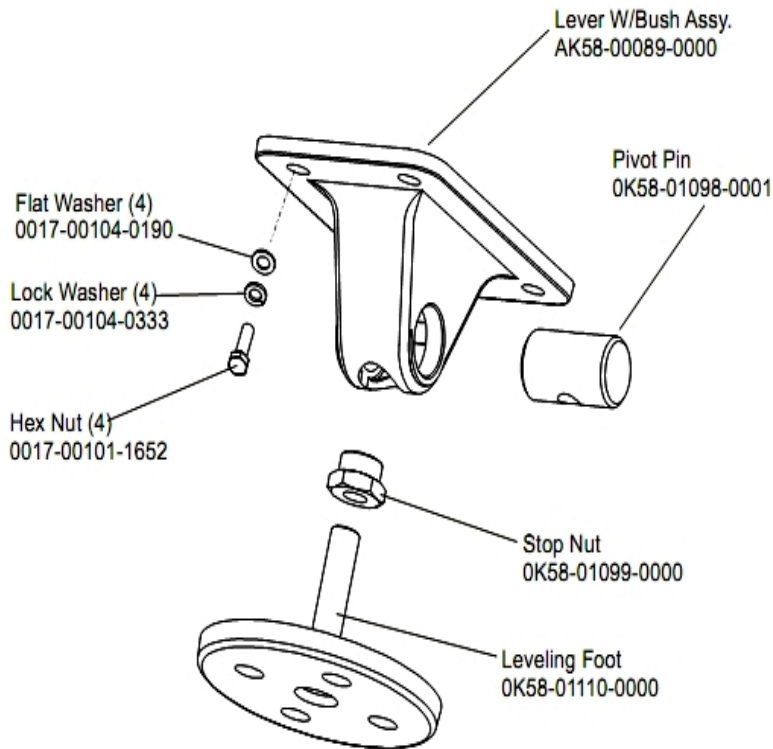
Ref #	Part Number	Qty	Description
-	0017-00101-0974	1	Hardware: Mounting Bolt 2"
-	0017-00101-1632	4	Hardware: Hex Bolt 0.875"
-	OK58-01105-0000	1	Drive Pulley Poly V - 8"
-	OK58-01067-0001	1	Front Roller - 5"
-	0017-00104-0005	4	Hardware: Lock Washer 0.489" OD
-	0017-00104-0330	4	Hardware: Flat Washers 0.562" OD
-	AK58-00067-0000	1	Front Roller Assembly
-	0017-00104-0043	1	Hardware: Flat Washer 0.734" OD

Idler Arm Assembly



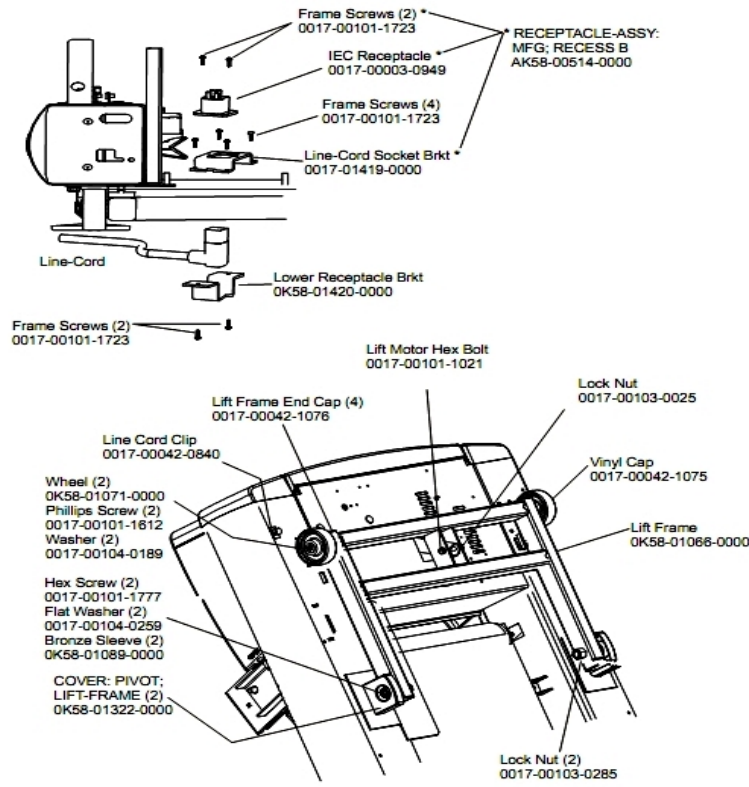
Ref #	Part Number	Qty	Description
-	OK58-01057-0001	1	Drive Pulley - 1.971"
-	OK58-01263-0001	1	Tinsel Bracket
-	0017-00042-1053	1	Plug (For units not equipped with circuit breaker.)
-	0017-00103-0324	1	Hardware: Thin Lock Nut 3/8" ID
-	AK58-00027-0000	1	Limit Switch Cable
-	OK26-01731-0000	1	Plastic Idler 2 5/8" OD
-	OK26-02055-0000	1	Spring Damper
-	0017-00032-0195	1	Home Switch
-	0017-00042-1072	1	Hardware: Wire Clamp - 5/8"
-	0017-00007-0248	1	Hardware: Locking Pin .31" D 2.125" L
-	0017-00042-0326	1	Hardware: Plastic Grommet
-	0017-00101-1193	3	Hardware: Screw 0.375"
-	OK58-01084-0002	1	Threaded Shaft
-	0017-00101-0333	1	Hardware: Screw 0.3125"
-	AK58-00053-0002	1	Idler Arm Assembly
-	OK58-01085-0000	1	Extension Spring
-	GK58-00002-0129	1	KIT: TREADMILL BELT AND PULLEY

Leg Leveler Assembly



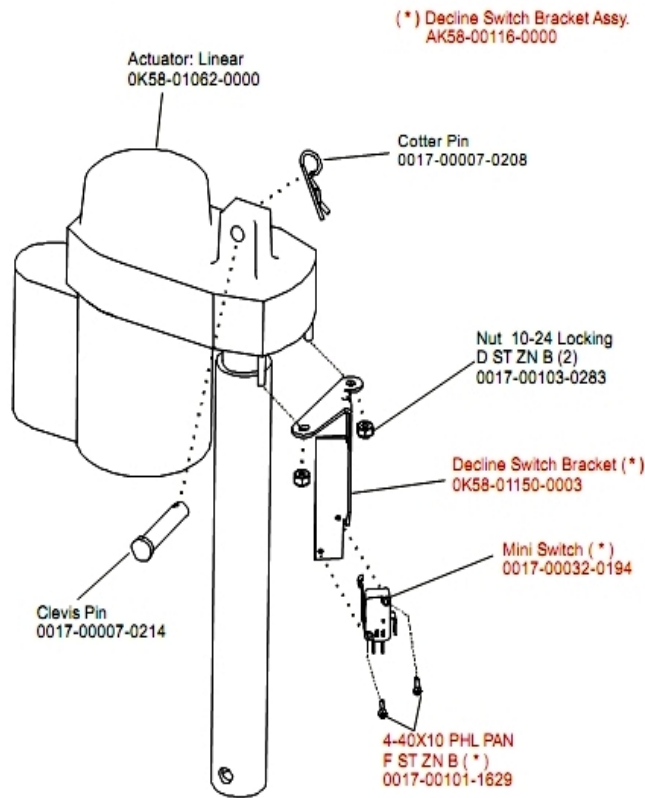
Ref #	Part Number	Qty	Description
-	AK58-00464-0000	2	Leveler Assembly
-	AK58-00089-0000	2	Bracket Leveler
-	OK58-01099-0000	2	Hardware: Stop Nut
-	0017-00104-0333	8	Hardware: Washer 0.683" OD
-	0017-00101-1652	8	Hardware: Spring Mounting Screw 1"
-	0017-00104-0190	8	Hardware: Flat Washer 0.734" OD
-	OK58-01098-0001	2	Hardware: Pivot Pin
-	OK58-01110-0000	2	Leveler Foot

Lift Frame and Receptacle Assembly



Ref #	Part Number	Qty	Description
-	AK58-00220-0000	1	LIFT-FRAME ASSY: MFG. C
-	0K58-01420-0000	1	Lower Receptacle Bracket
-	0K58-01089-0000	2	Bronze Sleeve Bushings
-	0017-00042-0840	1	Hardware: Push Mount Clip
-	0K58-01071-0000	2	Wheel
-	0017-00042-1075	1	Vinyl Cap
-	0017-00101-1612	2	Hardware: Phillips Screw 0.5"
-	0017-00003-0949	1	IEC Receptacle
-	0017-00104-0259	2	Hardware: Washer 1.331" OD
-	0017-00103-0025	1	Hardware: Locking Nut 3/8" ID
-	0017-00101-1021	1	Hardware: Lift Motor Hex Bolt 2.5"
-	AK58-00514-0000	1	Receptacle Assembly
-	0017-00101-1723	8	Hardware: Phillips Pan Screw 0.375"
-	0K58-01419-0000	1	Line Cord Socket Bracket
-	0017-00104-0189	2	Hardware: Flat Washer 1" OD
-	0017-00042-1076	4	Lift Frame End Cap
-	0K58-01322-0000	2	Lift Frame Pivot Cover
-	0017-00103-0285	2	Hardware: Nut 5/8" ID
-	0017-00101-1777	2	Hardware: Lift Frame Mounting Bolt 2.75"

Lift Motor Assembly

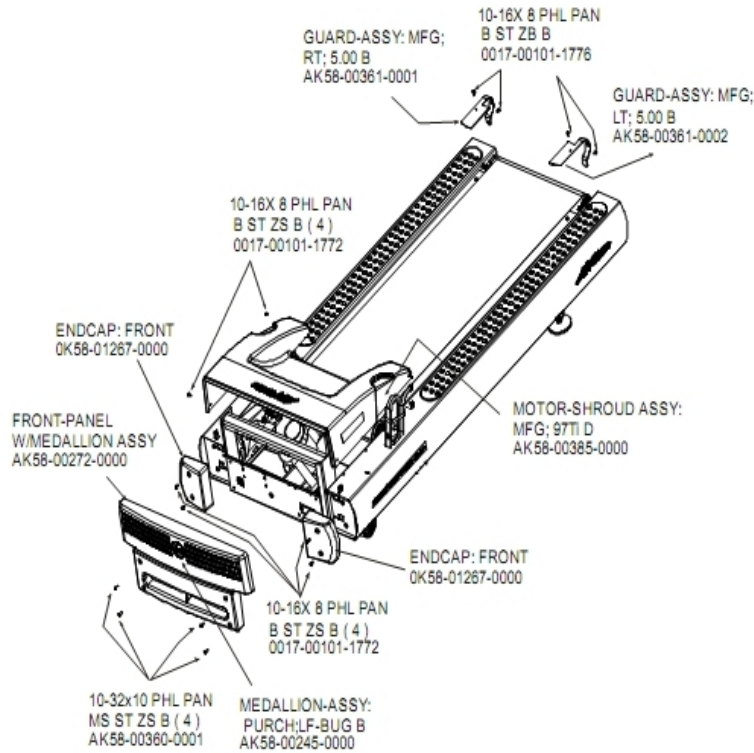


Ref #	Part Number	Qty	Description
-	0017-00103-0283	2	Hardware: Locking Nut ID
-	OK58-01150-0003	1	Decline Switch Bracket
-	0017-00007-0214	1	Hardware: Clevis Pin 3/8" D 1.75" L
-	AK58-00116-0000	1	Switch Bracket Assembly
-	OK58-01062-0000	1	Lift Motor - 120/60
-	0017-00007-0208	1	Hardware: Cotter Pin
-	AK58-00075-0000	1	Lift Motor Bracket Assembly
-	0017-00032-0194	1	Mini Switch; SPDT
-	0017-00101-1629	4	Hardware: Phillips Pan Screw 0.625"

Line Cords and Line Cord Options

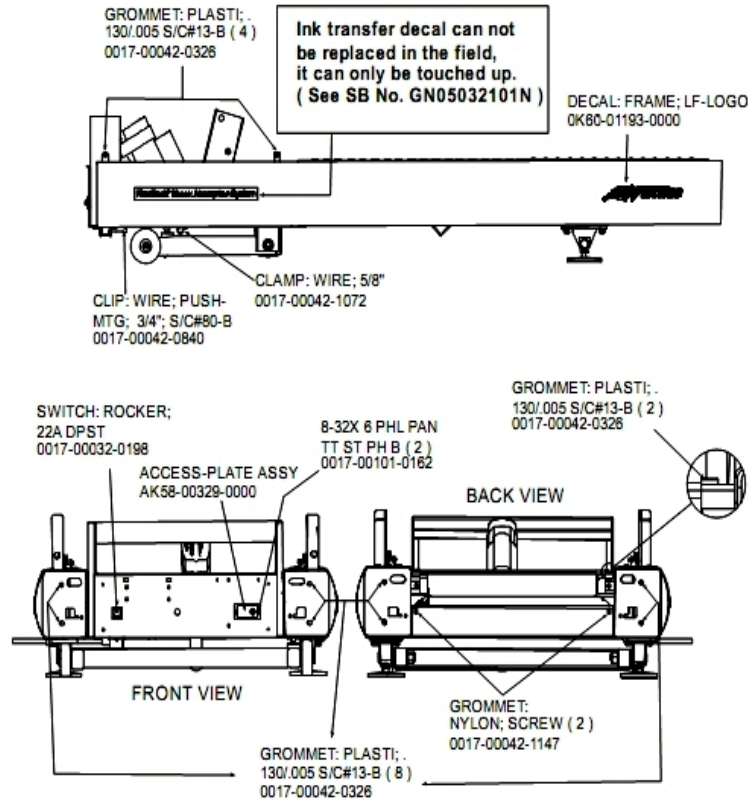
Ref #	Part Number	Qty	Description
-	0017-00003-0980	1	Line Cord: US Low Voltage 144"
-	0017-00003-0948	1	12' 220v Line Cord
-	0017-00003-0696	1	Line Cord: International High Voltage (Cont.) 103"
-	0017-00003-0981	1	LINE-CORD: R/A; with PLUG 220/60 7.5'

Motor Cover, Front Cover and End Caps



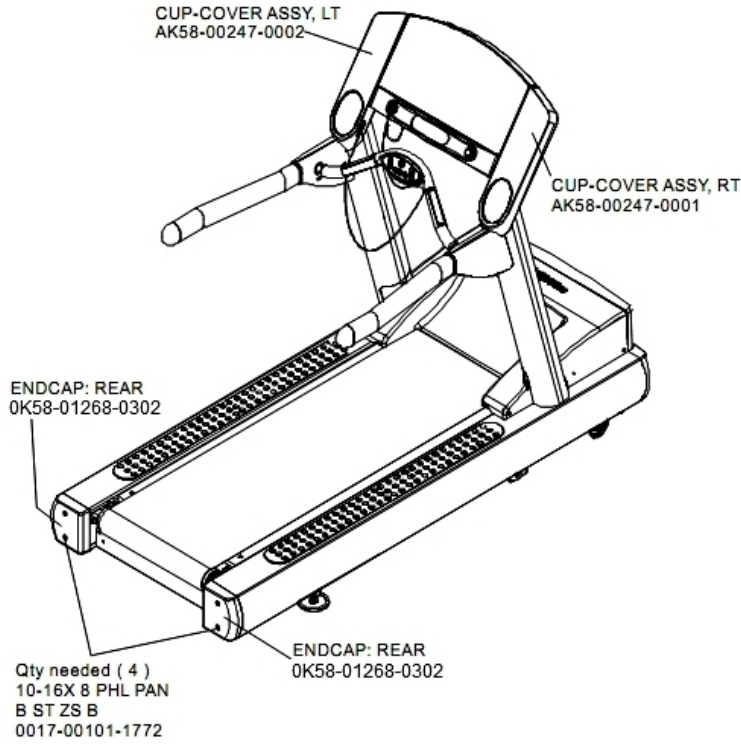
Ref #	Part Number	Qty	Description
-	AK58-00360-0001	1	Rear Roller Guard: Right
-	0017-00101-1772	2	Hardware: Phillips Pan Screw 0.5"
-	AK58-00245-0000	1	Bug Medallion
-	AK58-00385-0000	1	Motor Cover
-	OK58-01391-0002	1	Rear Roller Guard Left
-	0017-00101-1776	1	Hardware: Mounting Screw 0.5"
-	AK58-00272-0000	1	Front Panel with Medallion
-	OK58-01391-0001	1	Rear Roller Guard Right
-	OK58-01267-0000	2	End Cap

On/Off Switch, Access Plate and Grommets



Ref #	Part Number	Qty	Description
-	0017-00101-0162	1	Hardware: Screw 0.375"
-	AK58-00329-0000	1	Access Panel Assembly
-	0017-00042-0840	1	Hardware: Push Mount Clip
-	OK60-01193-0000	2	Decal: LF Logo
-	0017-00032-0198	1	On/Off Switch 22A
-	0017-00042-0326	3	Hardware: Plastic Grommet
-	0017-00042-1147	1	Hardware: Nylon Grommet
-	0017-00042-1072	1	Hardware: Wire Clamp - 5/8"

Rear End Caps and Cup Holders



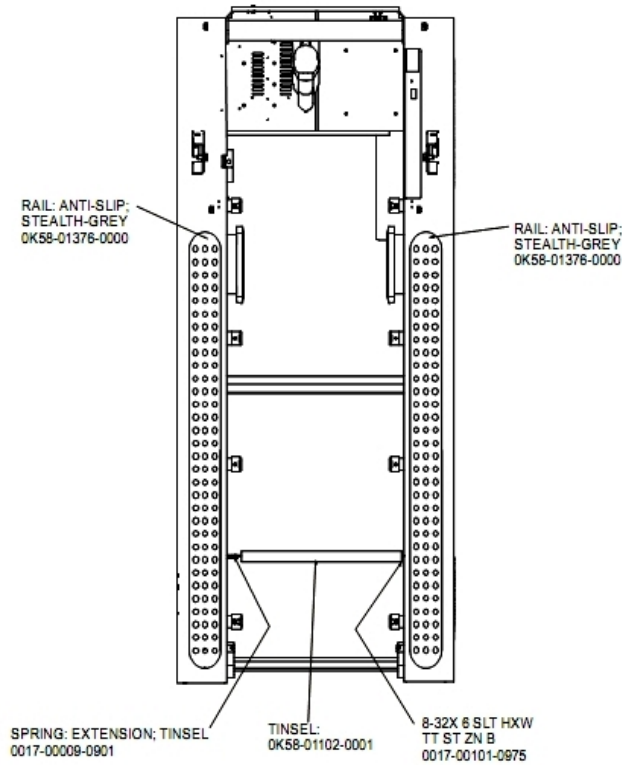
Ref #	Part Number	Qty	Description
-	0017-00101-1772	4	Hardware: Phillips Pan Screw 0.5"
-	AK58-00247-0001	1	Cup Holder Right
-	AK58-00247-0002	1	Cup Holder Left
-	OK58-01268-0302	2	ENDCAP: REAR; STEALTH D

References

Ref #	Part Number	Qty	Description
-	M051-00K58-B128	1	Service Instructions - Roller Guards
-	0017-00008-0204	1	Paint Spray Can - Arctic Silver
-	0017-00042-0840	5	Hardware: Push Mount Clip
-	0017-00101-1770	6	Hardware: Phillips Pan Screw 0.5"
-	0K58-01376-0000	2	Anti-Scuff Pad
-	0017-00101-1772	6	Hardware: Phillips Pan Screw 0.5"
-	0K58-01347-0000	2	ErgoBar Gasket
-	0017-00008-0206	1	.33oz Pen - Arctic Silver
-	0017-00042-0326	4	Hardware: Plastic Grommet
-	0017-00042-1147	2	Hardware: Nylon Grommet
-	0017-00103-0327	4	Hardware: Hex Nut 5/16" ID
-	0K58-01305-0002	2	Upright Plug
-	0017-00101-1778	4	Hardware: Hex Bolt 1"
-	0017-00008-0210	1	Paint: Shadow-Gray Touch Up: .6 OZ Bottle
-	0017-00101-1776	4	Hardware: Mounting Screw 0.5"
-	0017-00104-0325	4	Hardware: Washer 0.873" OD
-	GK58-00002-0096	1	Roller Guard kit
-	0017-00008-0211	1	Paint: Shadow-Gray Touch Up: .6 OZ Bottle
-	0017-00101-1774	4	Hardware: TORX Screw 2.5"
-	0017-00101-1780	8	Hardware: Mounting Screws
-	GK58-00002-0071	1	Anti-Slip Rail
-	0K58-01391-0001	1	Rear Roller Guard Right

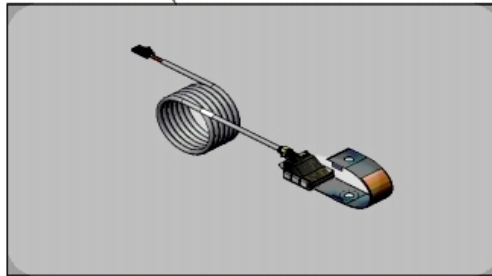
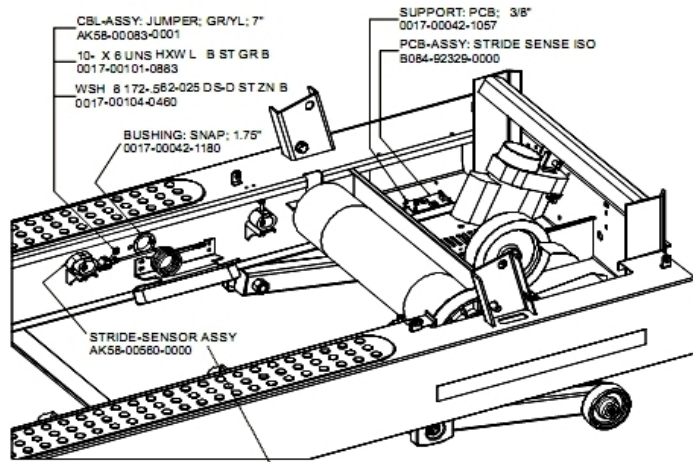
Ref #	Part Number	Qty	Description
-	0017-00008-0205	1	5 oz Bottle - Arctic Silver
-	AK58-00226-0000	1	Hardware Bag
-	0K58-01391-0002	1	Rear Roller Guard Left
-	0017-00009-1049	1	Torx Wrench
-	0017-00101-1773	6	Hardware: TORX Screw 0.5"

Scuff Pad and Tinsel



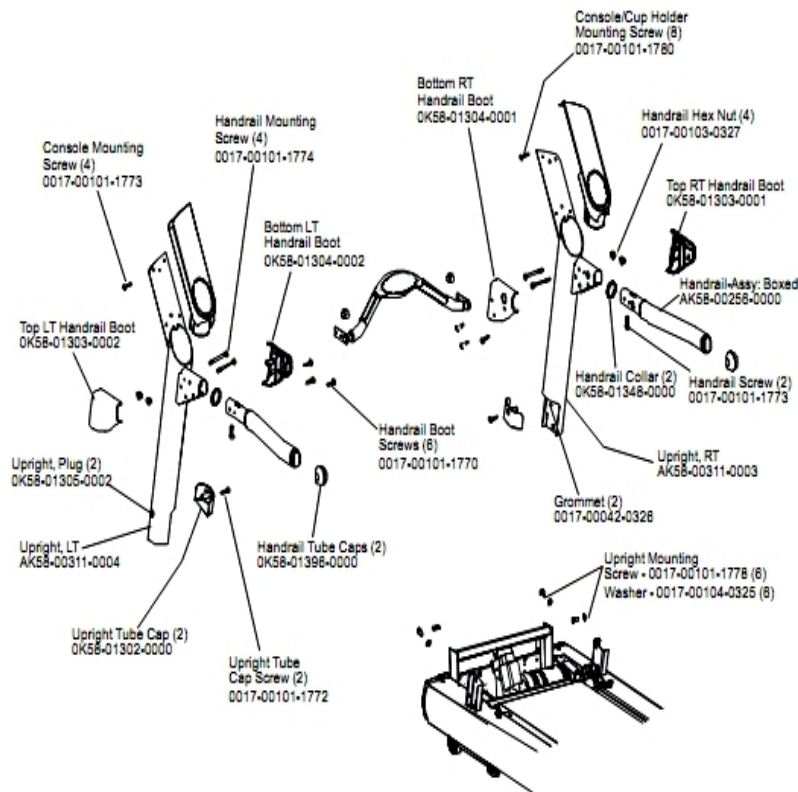
Ref #	Part Number	Qty	Description
-	0017-00101-0975	1	Hardware: Mounting Bolt 0.375"
-	0K58-01102-0001	1	Anti-Static Tinsel
-	0017-00009-0901	1	Tinsel Extension Spring
-	0K58-01376-0000	3	Anti-Scuff Pad

Stride Sensor Assembly and Stride Sensor



Ref #	Part Number	Qty	Description
-	0017-00042-1057	1	Support: Printed Circuit Board; 3/8"
-	0017-00042-1180	1	Hardware: Snap Bushing - 1.75"
-	0017-00101-0883	1	Hardware: Screw 0.375"
-	AK58-00560-0000	1	Stride Sensor Assembly
-	0017-00104-0460	1	Hardware: Lockwasher 0.562" OD
-	AK58-00083-0001	1	Jumper Cable Assembly: Green/Yellow - 7"
-	B084-92329-0000	1	PCB-ASSY: STRIDE SENSE ISO

Uprights and Handrails



Ref #	Part Number	Qty	Description
-	0017-00101-1773	6	Hardware: TORX Screw 0.5"
-	OK58-01348-0000	2	Handrail Collar
-	OK58-01396-0000	2	Endcap
-	OK58-01303-0002	1	Top Left Handrail Boot
-	OK58-01304-0001	1	Bottom Right Handrail Boot
-	OK58-01304-0002	1	Bottom Left Handrail Boot
-	0017-00101-1772	2	Hardware: Phillips Pan Screw 0.5"
-	OK58-01303-0001	1	Top Right Handrail Boot
-	0017-00042-0326	2	Hardware: Plastic Grommet
-	0017-00103-0327	4	Hardware: Hex Nut 5/16" ID
-	OK58-01302-0103	2	Cap: Upright Tube; Arctic Silver
-	OK58-01305-0002	2	Upright Plug
-	AK58-00256-0001	1	Handrail
-	AK58-00311-0004	1	Upright: Left
-	0017-00101-1778	6	Hardware: Hex Bolt 1"
-	0017-00104-0325	6	Hardware: Washer 0.873" OD
-	0017-00101-1774	4	Hardware: TORX Screw 2.5"
-	0017-00101-1780	8	Hardware: Mounting Screws
-	AK58-00311-0003	1	Upright: Right
-	0017-00101-1770	6	Hardware: Phillips Pan Screw 0.5"

