

97Ti Treadmill - 4HP AC DSP - Prewired w/LCD - Entertainment Controls - Heart Rate

97TWEZ-0103-02

Parts Manual

1/5/2019 12:02:09 PM



LifeFitness
WHAT WE LIVE FOR

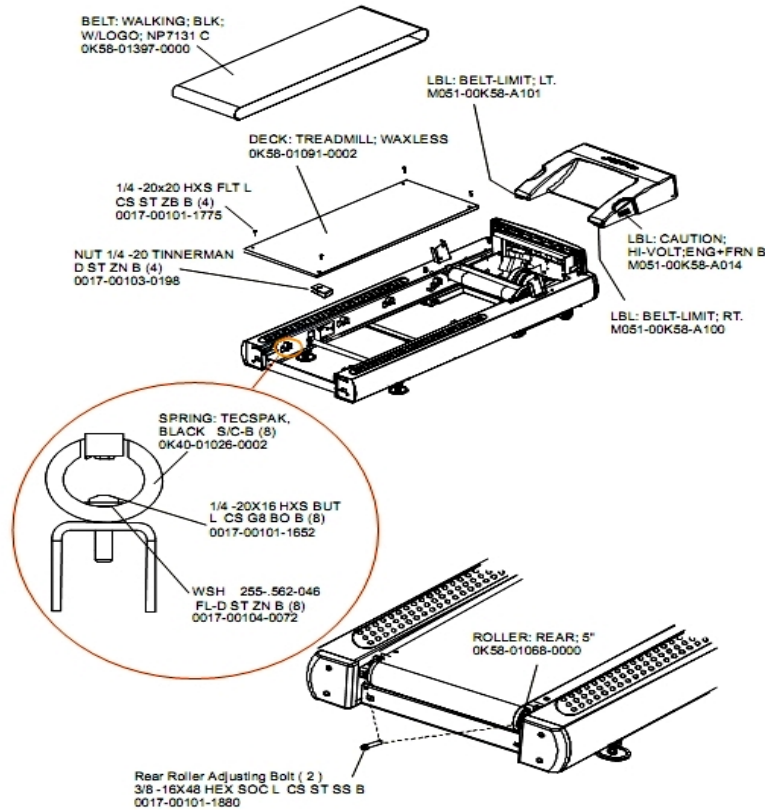


97TWEZ-0103-02 - 97TI TREADMILL - 4HP
AC DSP - PREWIRED W/LCD -
ENTERTAINMENT CONTROLS - HEART
RATE

Table of Contents

Belt, Deck, and Rear Roller.....	3
Cables.....	4
Console and Overlay Assembly.....	6
Drive Motor Assembly.....	7
DSP Controller Assembly.....	8
Ergo Bar with Lifepulse.....	9
Front Roller Assembly.....	10
Idler Assembly.....	11
Leg Leveler Assembly.....	12
Lift Frame and Receptacle Assembly.....	13
Lift Motor Assembly.....	14
Line Cords.....	15
Manuals, Assemblies and Paint.....	16
Motor Cover, Front Cover and End Caps.....	18
On/Off Switch, Access Plate and Grommets.....	19
Rear End Caps and Cup Holders.....	20
Scuff Pad and Tinsel.....	21
Uprights, Handrails and Ergo Bar.....	22

Belt, Deck, and Rear Roller



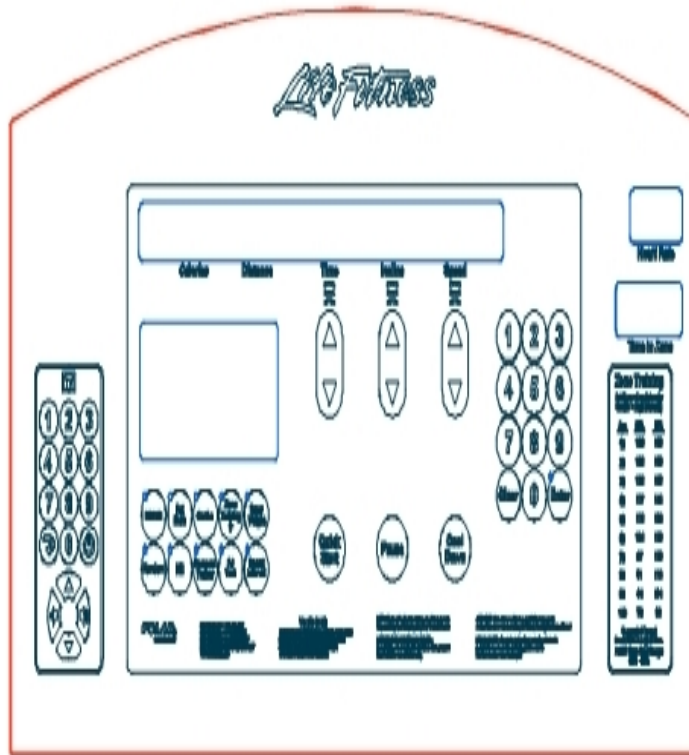
Ref #	Part Number	Qty	Description
-	OK58-01068-0000	1	Rear Roller - 5"
-	OK65-01263-0000	1	Deck
-	OK58-01397-0000	1	Striding Belt
-	OK40-01026-0002	8	Deck Spring
-	0017-00101-1775	4	Hardware: Deck Screws 1.25"
-	0017-00104-0072	8	Hardware: Flat Washer 0.562" OD
-	M051-00K58-A100	1	Label: Belt Limit: Right
-	M051-00K58-A101	1	Belt Limit Label. Left
-	0017-00103-0198	4	Hardware: Tinnerman Clip 1/4" ID
-	0017-00101-1652	8	Hardware: Spring Mounting Screw 1"
-	M051-00K58-A014	1	Label: Caution
-	0017-00101-1880	2	Hardware: Tension Bolts 3"

Cables

Ref #	Part Number	Qty	Description
-	AK58-00522-0000	1	Cable: Jumper; Power; LED Console
-	AK58-00237-0000	1	Cable-Assembly: Polar/E-Stop
-	AK58-00041-0001	1	Heart Rate Sensor Cable
-	AK58-00031-0000	1	Side Console Cable Assembly
-	AK32-00078-0001	1	Power Extension Cable: 120"
-	AK60-00009-0001	1	Negative Switch Cable Assembly
-	AK58-00524-0000	1	Cable: Thermal Adapter
-	118E-00001-0259	1	Wireless Receiver Module, Non-Coded
-	AK58-00083-0000	1	Cable Assembly
-	AK58-00034-0001	1	Console Power Cable
-	0017-00003-0905	1	Transformer (EURO Only)
-	AK58-00082-0000	1	Jumper Cable Assembly: White - 6"
-	AK58-00032-0000	1	User Proximity Sensor Cable
-	AK58-00596-0001	1	Power Cable: 230-240V
-	AK58-00224-0001	1	Cable: MOV; Fliter
-	AK58-00036-0000	1	Cable-Assembly: Emergency-Stop Switch
-	0017-00003-0626	1	CIRCUIT-BREAKER:2A 200-240V
-	AK32-00147-0001	1	Cable Headphone Assembly - C-Safe
-	AK58-00081-0000	1	Jumper Cable Assembly: Black - 4"
-	AK58-00263-0000	1	Hi-Pot Jumper Cable

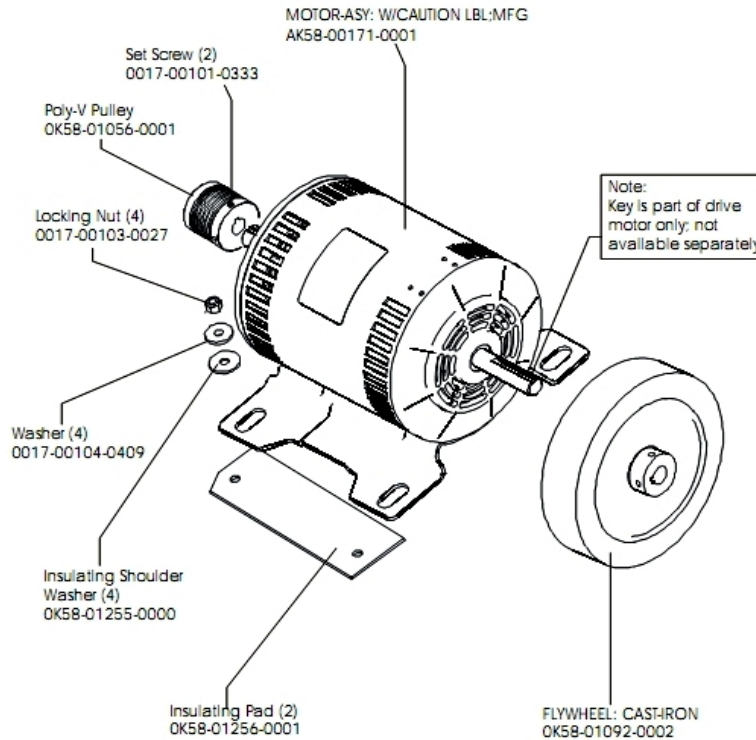
Ref #	Part Number	Qty	Description
-	AK32-00020-0002	1	Coax Cable: 120"

Console and Overlay Assembly



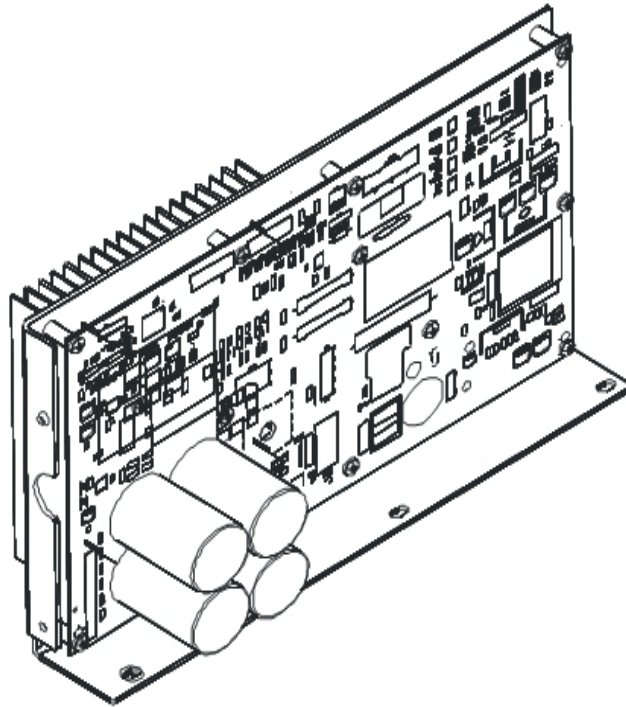
Ref #	Part Number	Qty	Description
-	AK58-00535-0002	1	Console: English/Metric
-	AK58-00549-0002	1	Bezel Switch with Overlay: English/Metric

Drive Motor Assembly



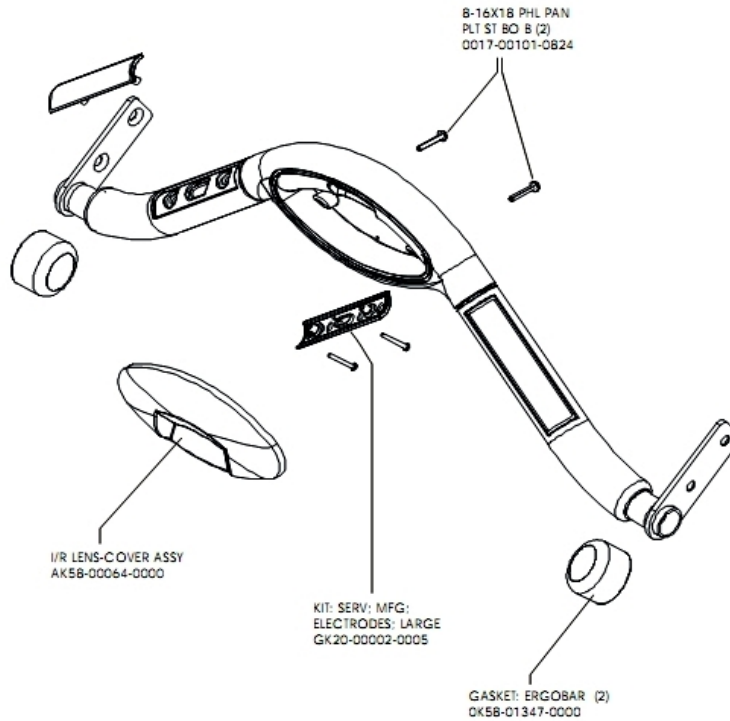
Ref #	Part Number	Qty	Description
-	0017-00101-0333	2	Hardware: Screw 0.3125"
-	0017-00104-0409	4	Hardware: Washer 1.125" OD
-	OK58-01255-0000	4	Hardware: Insulating Washers
-	OK58-01092-0002	1	Cast Iron Flywheel
-	AK58-00171-0001	1	Drive Motor Assembly
-	0017-00103-0027	4	Hardware: Locking Nut. 5/16" ID
-	OK58-01256-0001	2	Insulating Pad

DSP Controller Assembly



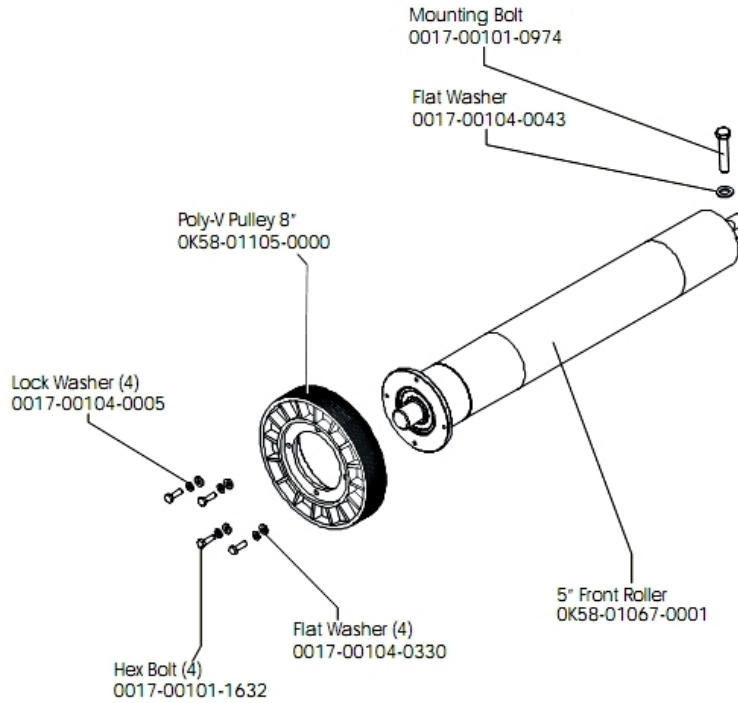
Ref #	Part Number	Qty	Description
-	GK58-00002-0120	1	Display Controller 200-240; LED
-	GK58-00002-0120	1	Display Controller 200-240; LED
-	GK58-00002-0120	1	Display Controller 200-240; LED
-	GK58-00002-0120	1	Display Controller 200-240; LED
-	AK65-00071-0009	1	DSP Controller 200-240

Ergo Bar with Lifepulse



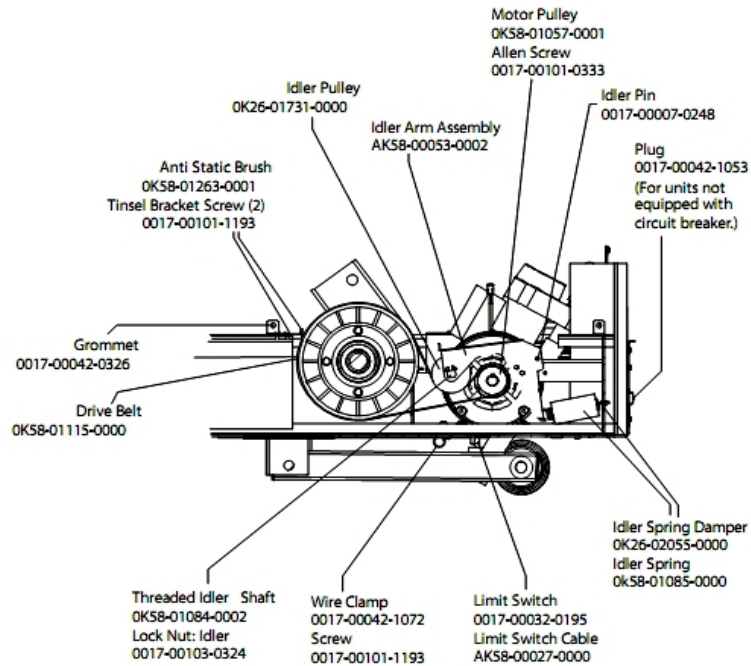
Ref #	Part Number	Qty	Description
-	AK58-00064-0000	1	I/R Lens Cover Assembly
-	GK20-00002-0005	2	Heart Rate Electrode Kit
-	AK58-00219-0000	1	Ergo Bar with Heart Rate Sensors
-	OK58-01347-0000	2	ErgoBar Gasket
-	0017-00101-0824	2	Hardware: Screw 1.125"

Front Roller Assembly



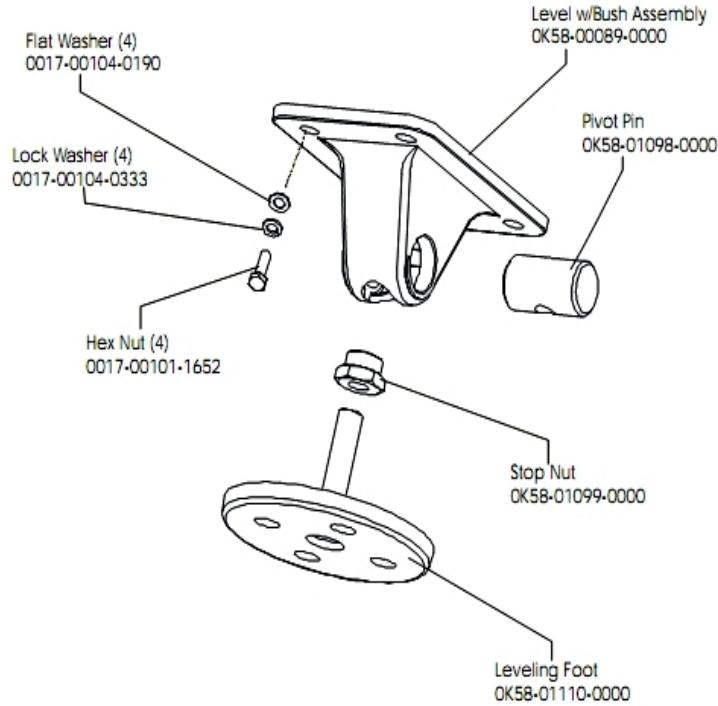
Ref #	Part Number	Qty	Description
-	0017-00101-0974	1	Hardware: Mounting Bolt 2"
-	0017-00104-0043	1	Hardware: Flat Washer 0.734" OD
-	0017-00104-0005	4	Hardware: Lock Washer 0.489" OD
-	0017-00104-0330	4	Hardware: Flat Washers 0.562" OD
-	0017-00101-1632	4	Hardware: Hex Bolt 0.875"
-	OK58-01105-0000	1	Drive Pulley Poly V - 8"
-	OK58-01067-0001	1	Front Roller - 5"
-	AK58-00067-0000	1	Front Roller Assembly

Idler Assembly



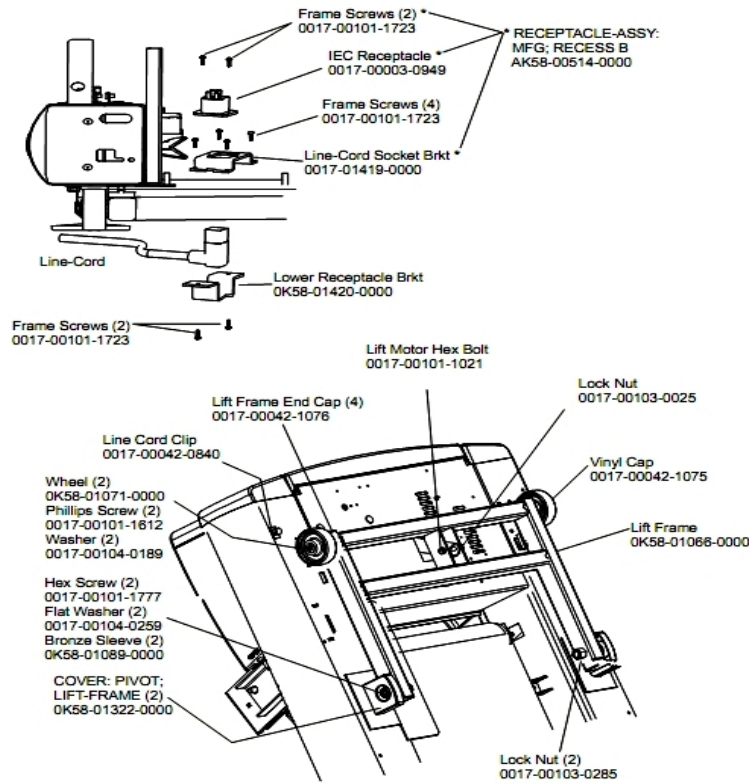
Ref #	Part Number	Qty	Description
-	OK58-01057-0001	1	Drive Pulley - 1.971"
-	AK58-00053-0002	1	Idler Arm Assembly
-	0017-00042-1053	1	Plug (For units not equipped with circuit breaker.)
-	0017-00103-0324	1	Hardware: Thin Lock Nut 3/8" ID
-	AK58-00027-0000	1	Limit Switch Cable
-	OK26-01731-0000	1	Plastic Idler 2 5/8" OD
-	OK26-02055-0000	1	Spring Damper
-	0017-00032-0195	1	Home Switch
-	0017-00042-1072	1	Hardware: Wire Clamp - 5/8"
-	OK58-01084-0002	1	Threaded Shaft
-	0017-00007-0248	1	Hardware: Locking Pin .31" D 2.125" L
-	0017-00042-0326	1	Hardware: Plastic Grommet
-	0017-00101-1193	3	Hardware: Screw 0.375"
-	OK58-01085-0000	1	Extension Spring
-	OK58-01263-0001	1	Tinsel Bracket
-	0017-00101-0333	1	Hardware: Screw 0.3125"
-	GK58-00002-0129	1	KIT: TREADMILL BELT AND PULLEY

Leg Leveler Assembly



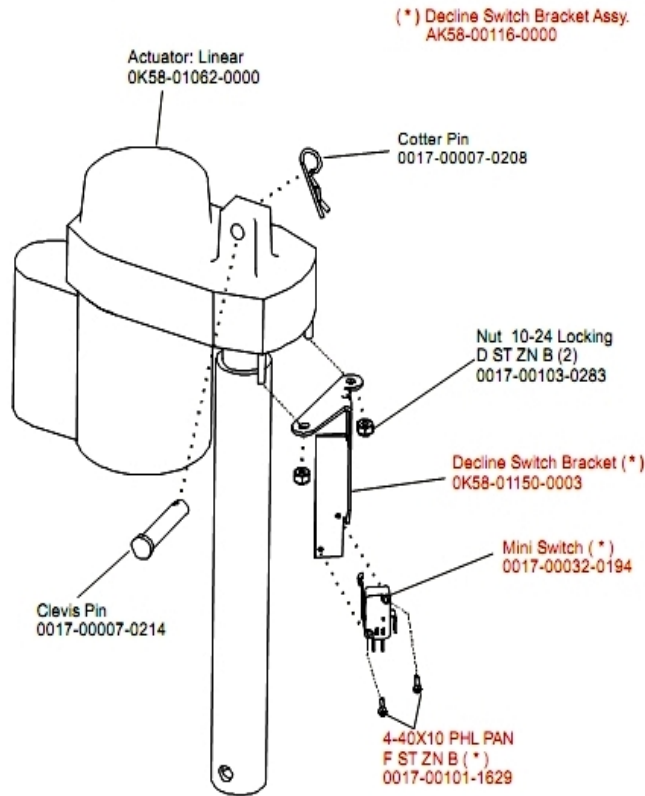
Ref #	Part Number	Qty	Description
-	OK58-01099-0000	2	Hardware: Stop Nut
-	OK58-01098-0000	2	Hardware: Pivot Pin
-	AK58-00464-0000	2	Leveler Assembly
-	0017-00104-0333	8	Hardware: Washer 0.683" OD
-	0017-00101-1652	8	Hardware: Spring Mounting Screw 1"
-	0017-00104-0190	8	Hardware: Flat Washer 0.734" OD
-	OK58-01110-0000	2	Leveler Foot
-	AK58-00089-0000	2	Bracket Leveler

Lift Frame and Receptacle Assembly



Ref #	Part Number	Qty	Description
-	OK58-01420-0000	1	Lower Receptacle Bracket
-	OK58-01089-0000	2	Bronze Sleeve Bushings
-	0017-00042-0840	1	Hardware: Push Mount Clip
-	OK58-01071-0000	2	Wheel
-	0017-00101-1612	2	Hardware: Phillips Screw 0.5"
-	0017-00042-1075	1	Vinyl Cap
-	0017-00104-0259	2	Hardware: Washer 1.331" OD
-	0017-00103-0025	1	Hardware: Locking Nut 3/8" ID
-	0017-00101-1021	1	Hardware: Lift Motor Hex Bolt 2.5"
-	0017-00003-0949	1	IEC Receptacle
-	OK58-01322-0000	2	Lift Frame Pivot Cover
-	0017-00104-0189	2	Hardware: Flat Washer 1" OD
-	0017-00101-1777	2	Hardware: Lift Frame Mounting Bolt 2.75"
-	AK58-00514-0000	1	Receptacle Assembly
-	0017-00101-1723	8	Hardware: Phillips Pan Screw 0.375"
-	0017-00103-0285	2	Hardware: Nut 5/8" ID
-	0017-00042-1076	4	Lift Frame End Cap
-	AK58-00220-0000	1	LIFT-FRAME ASSY: MFG. C

Lift Motor Assembly



Ref #	Part Number	Qty	Description
-	0017-00007-0208	1	Hardware: Cotter Pin
-	0017-00103-0283	2	Hardware: Locking Nut ID
-	0017-00032-0194	1	Mini Switch; SPDT
-	0017-00101-1629	2	Hardware: Phillips Pan Screw 0.625"
-	AK58-00116-0000	1	Switch Bracket Assembly
-	0017-00007-0214	1	Hardware: Clevis Pin 3/8" D 1.75" L
-	OK58-01062-0000	1	Lift Motor - 120/60
-	OK58-01150-0003	1	Decline Switch Bracket

Line Cords

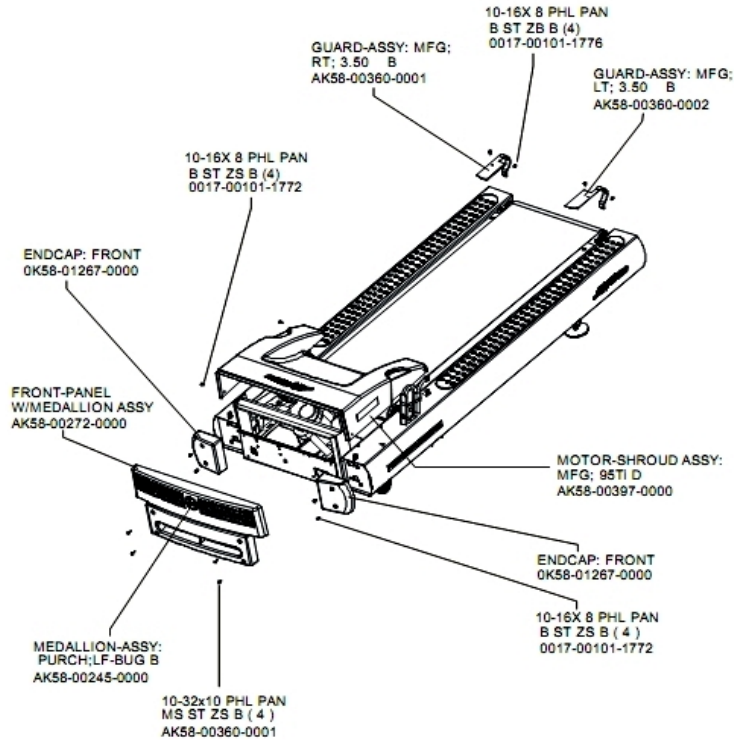
Ref #	Part Number	Qty	Description
-	0017-00003-0948	1	12' 220v Line Cord
-	0017-00003-0981	1	LINE-CORD: R/A; with PLUG 220/60 7.5'
-	0017-00003-0980	1	Line Cord: US Low Voltage 144"
-	0017-00003-0781	1	Line Cord: US High Voltage

Manuals, Assemblies and Paint

Ref #	Part Number	Qty	Description
-	0017-00008-0205	1	5 oz Bottle - Arctic Silver
-	M051-00K58-B128	1	Service Instructions - Roller Guards
-	GK58-00002-0096	1	Roller Guard kit
-	0017-00104-0325	4	Hardware: Washer 0.873" OD
-	0017-00101-1776	4	Hardware: Mounting Screw 0.5"
-	0017-00008-0210	1	Paint: Shadow-Gray Touch Up: .6 OZ Bottle
-	0K58-01391-0002	1	Rear Roller Guard Left
-	0K58-01391-0001	1	Rear Roller Guard Right
-	GK58-00002-0071	1	Anti-Slip Rail
-	0017-00009-1049	1	Torx Wrench
-	0017-00101-1773	6	Hardware: TORX Screw 0.5"
-	0017-00008-0204	1	Paint Spray Can - Arctic Silver
-	0017-00042-0840	5	Hardware: Push Mount Clip
-	0017-00101-1770	6	Hardware: Phillips Pan Screw 0.5"
-	0K58-01376-0000	2	Anti-Scuff Pad
-	0017-00101-1772	6	Hardware: Phillips Pan Screw 0.5"
-	0K58-01347-0000	2	ErgoBar Gasket
-	0017-00101-1778	4	Hardware: Hex Bolt 1"
-	0017-00008-0206	1	.33oz Pen - Arctic Silver
-	0017-00042-0326	4	Hardware: Plastic Grommet

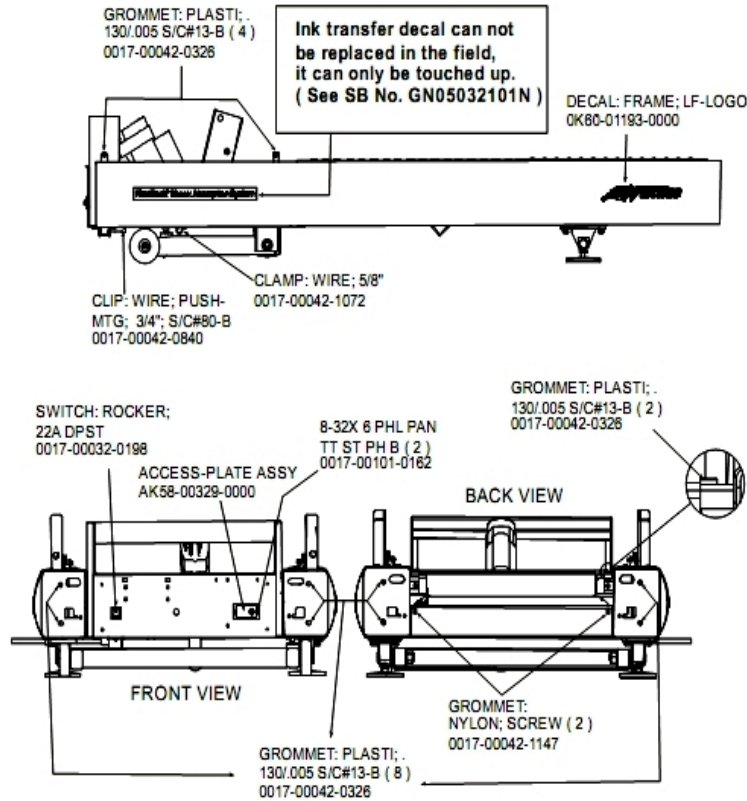
Ref #	Part Number	Qty	Description
-	0017-00042-1147	2	Hardware: Nylon Grommet
-	0017-00103-0327	4	Hardware: Hex Nut 5/16" ID
-	0K58-01305-0002	2	Upright Plug
-	0017-00008-0211	1	Paint: Shadow-Gray Touch Up: .6 OZ Bottle
-	0017-00101-1774	4	Hardware: TORX Screw 2.5"
-	0017-00101-1780	8	Hardware: Mounting Screws

Motor Cover, Front Cover and End Caps



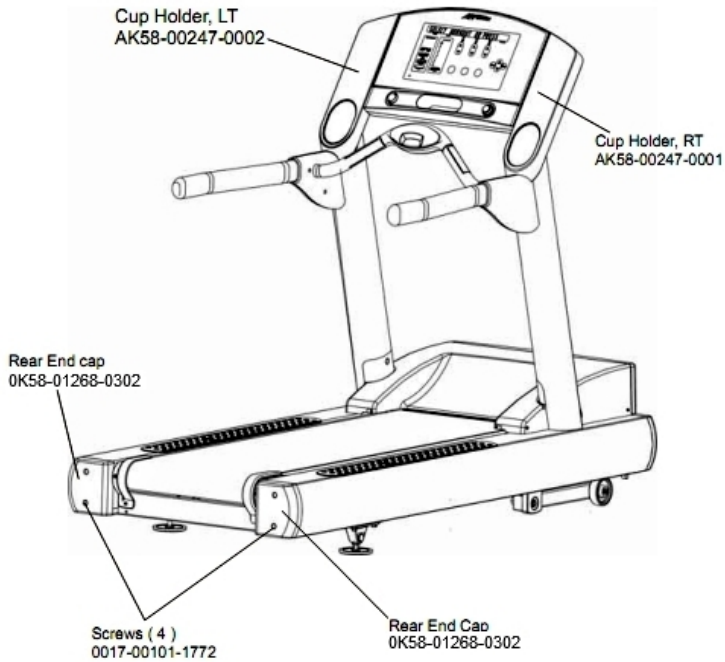
Ref #	Part Number	Qty	Description
-	AK58-00272-0000	1	Front Panel with Medallion
-	AK58-00245-0000	1	Bug Medallion
-	OK58-01267-0000	2	End Cap
-	AK58-00397-0000	1	Motor Shroud
-	AK58-00360-0001	5	Rear Roller Guard: Right
-	0017-00101-1772	8	Hardware: Phillips Pan Screw 0.5"
-	AK58-00360-0002	1	Rear Roller Guard: Left
-	0017-00101-1776	4	Hardware: Mounting Screw 0.5"

On/Off Switch, Access Plate and Grommets



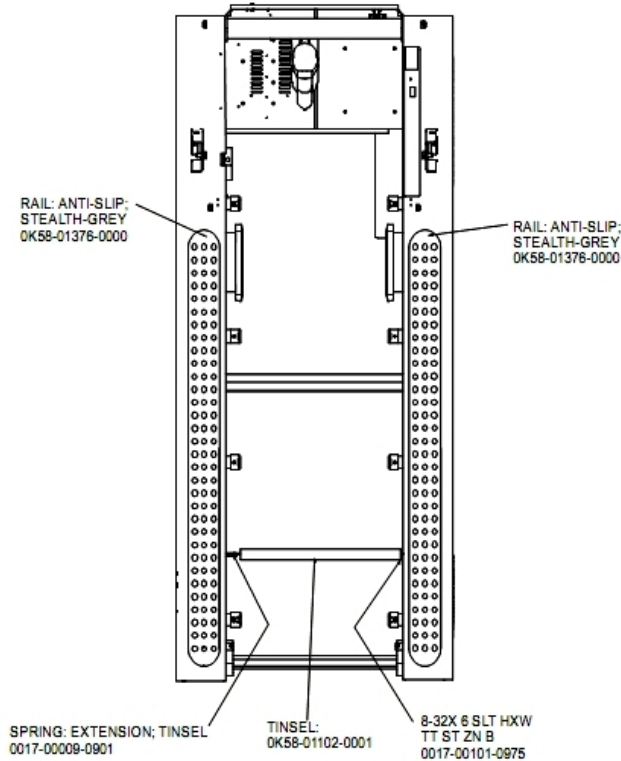
Ref #	Part Number	Qty	Description
-	AK58-00329-0000	1	Access Panel Assembly
-	0017-00101-0162	2	Hardware: Screw 0.375"
-	0017-00042-0840	1	Hardware: Push Mount Clip
-	0K60-01193-0000	2	Decal: LF Logo
-	0017-00032-0198	1	On/Off Switch 22A
-	0017-00042-0326	14	Hardware: Plastic Grommet
-	0017-00042-1147	2	Hardware: Nylon Grommet
-	0017-00042-1072	1	Hardware: Wire Clamp - 5/8"

Rear End Caps and Cup Holders



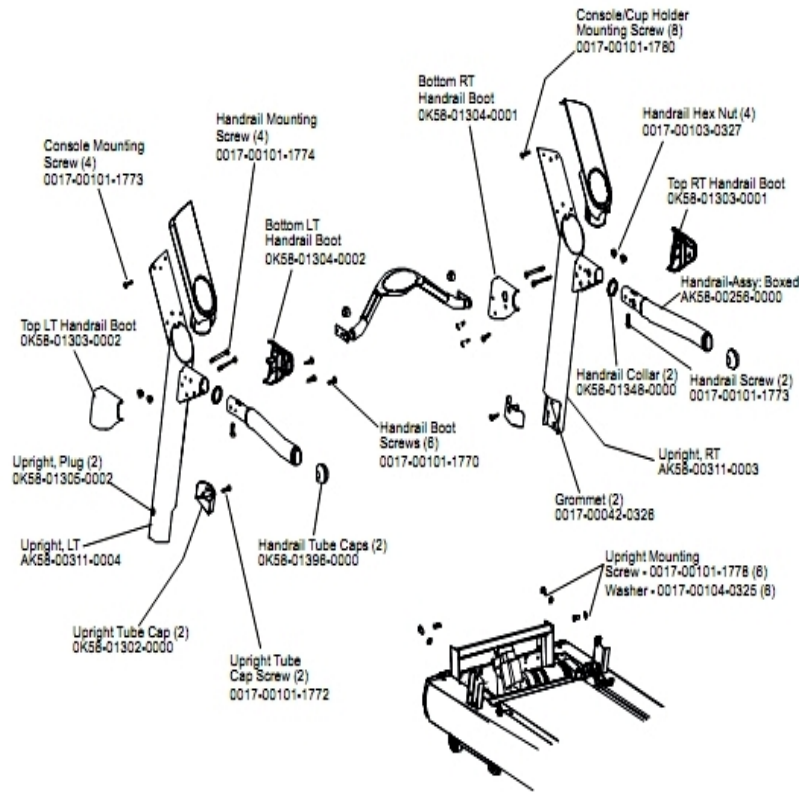
Ref #	Part Number	Qty	Description
-	OK58-01268-0302	2	ENDCAP: REAR; STEALTH D
-	AK58-00247-0001	1	Cup Holder Right
-	AK58-00247-0002	1	Cup Holder Left
-	0017-00101-1772	4	Hardware: Phillips Pan Screw 0.5"

Scuff Pad and Tinsel



Ref #	Part Number	Qty	Description
-	0017-00101-0975	1	Hardware: Mounting Bolt 0.375"
-	0017-00009-0901	1	Tinsel Extension Spring
-	OK58-01102-0001	1	Anti-Static Tinsel
-	OK58-01376-0000	2	Anti-Scuff Pad

Uprights, Handrails and Ergo Bar



Ref #	Part Number	Qty	Description
-	0017-00101-1773	6	Hardware: TORX Screw 0.5"
-	0017-00104-0325	6	Hardware: Washer 0.873" OD
-	OK58-01396-0000	2	Endcap
-	OK58-01303-0002	1	Top Left Handrail Boot
-	OK58-01304-0001	1	Bottom Right Handrail Boot
-	OK58-01304-0002	1	Bottom Left Handrail Boot
-	0017-00101-1772	2	Hardware: Phillips Pan Screw 0.5"
-	OK58-01303-0001	1	Top Right Handrail Boot
-	0017-00101-1778	6	Hardware: Hex Bolt 1"
-	0017-00042-0326	2	Hardware: Plastic Grommet
-	0017-00103-0327	4	Hardware: Hex Nut 5/16" ID
-	OK58-01302-0103	2	Cap: Upright Tube; Arctic Silver
-	OK58-01305-0002	2	Upright Plug
-	AK58-00256-0001	1	Handrail
-	AK58-00311-0004	1	Upright: Left
-	0017-00101-1774	4	Hardware: TORX Screw 2.5"
-	0017-00101-1780	8	Hardware: Mounting Screws
-	AK58-00311-0003	1	Upright: Right
-	OK58-01348-0000	2	Handrail Collar
-	0017-00101-1770	6	Hardware: Phillips Pan Screw 0.5"

