

Hammer 45 Degree Back

BWBE

Parts Manual

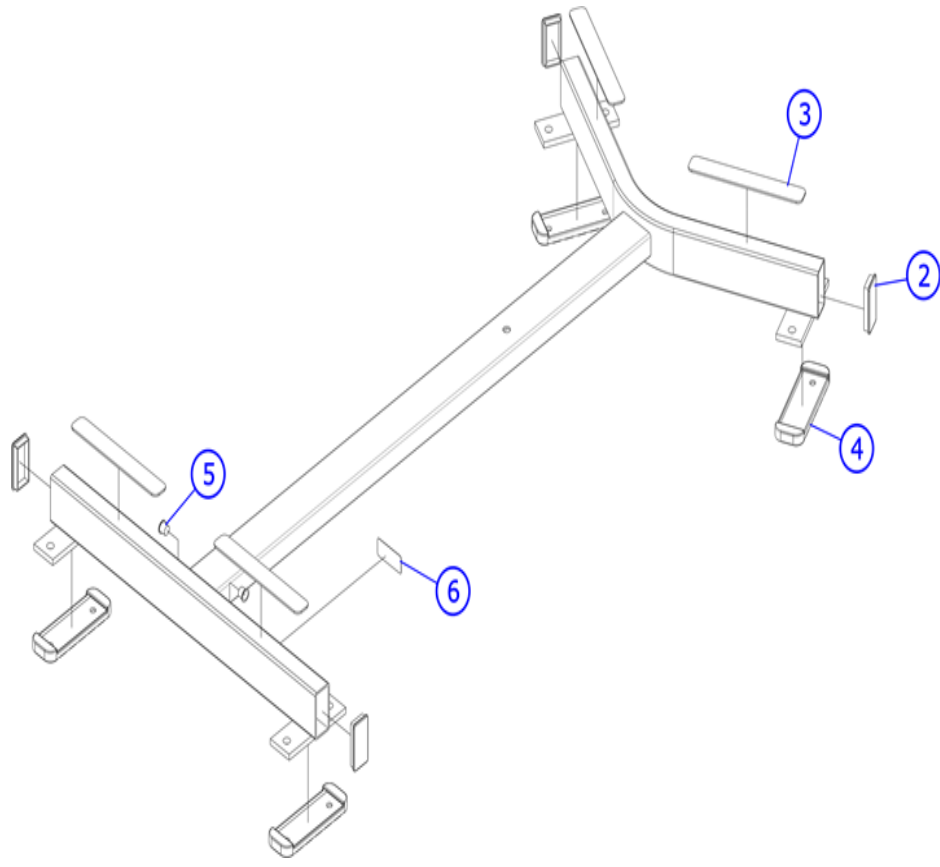
1/5/2019 12:07:54 PM



Table of Contents

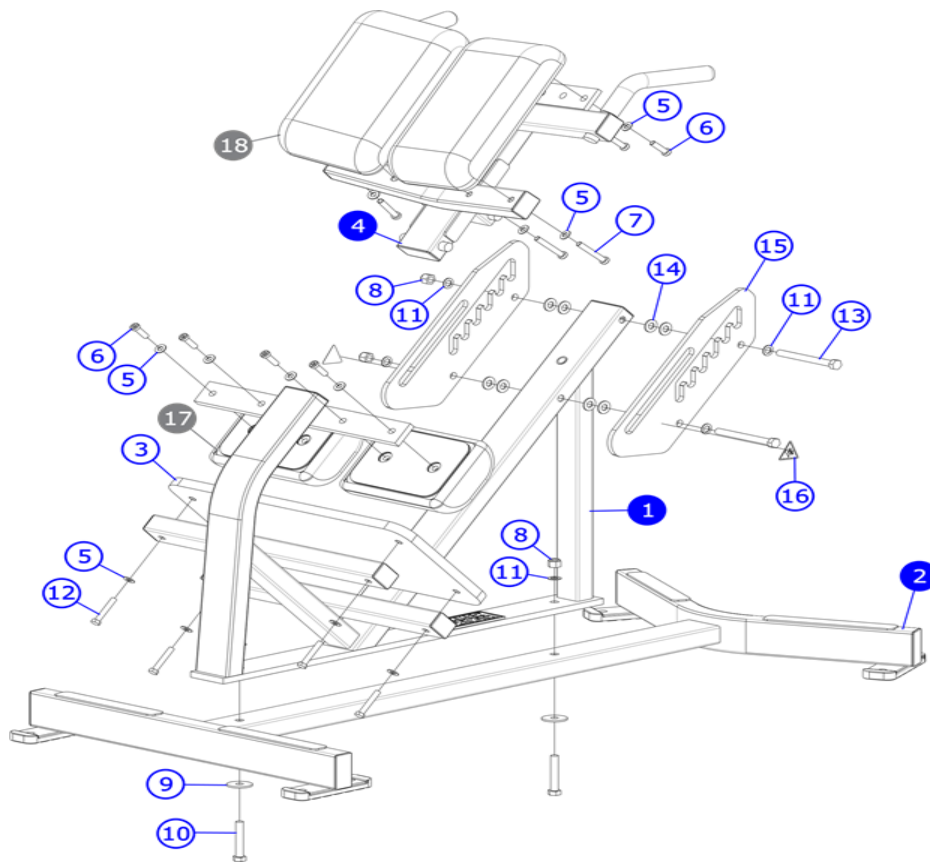
[BASE FRAME ASSEMBLY.....](#)3
[COMPONENT ASSEMBLY.....](#)4
[SEAT FRAME ASSEMBLY.....](#)5
[THIGH ADJUSTMENT ASSEMBLY.....](#)6

BASE FRAME ASSEMBLY

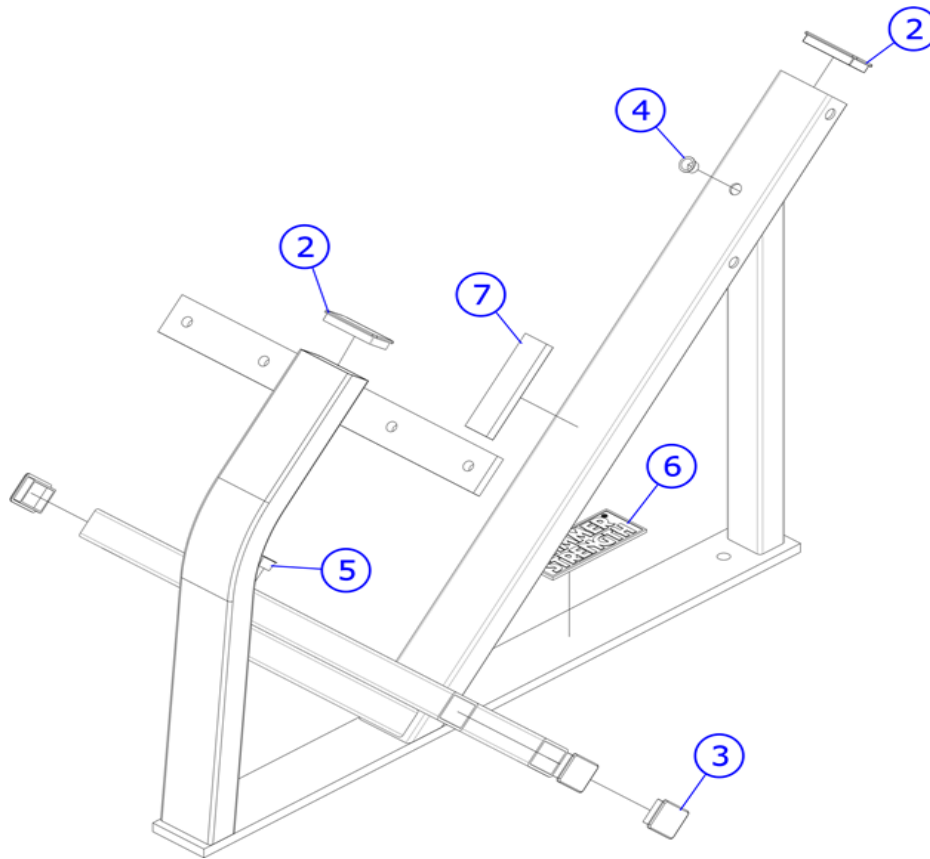


Ref #	Part Number	Qty	Description
2	RC1530-1Q1	4	Cap: 1-1/2 X 3 Rectangle Plug
3	H-NONSKID 1X9	4	PLASTIC NON SKID STRIP 1 X 9
4	MM-8	4	Cushion: 2 X 6 Flange Rubber Slipper
5	H-HPLUG(REG)	2	Stop: 9/16 IN Hole Plug

COMPONENT ASSEMBLY

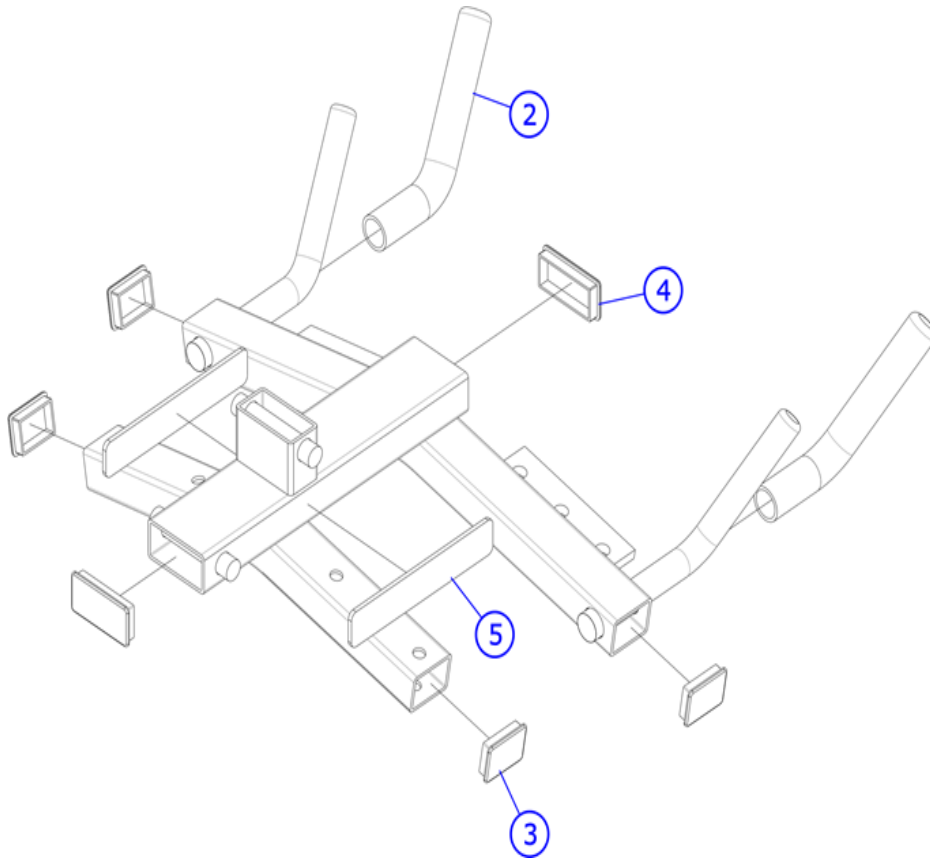


Ref #	Part Number	Qty	Description
1	BWBE-CST	1	ASSY, BWBE, SEAT FRAME
2	BWBE-CBF	1	ASSY, BWBE, BASE FRAME
3	U-BWBE-FP	1	Back Ext Footboard
4	BWBE-AJ	1	WLDMT, BWBE, THIGH ADJUSTMENT
5	WASH.375SAE	16	Hardware: 3/8 SAE Flat Washer
6	3236204	8	Hardware: Screw 35MM
7	3236210	4	Hardware: Screw 65MM
8	NUT.5LOCK	4	Hardware: 1/2 Thick Lock Nut
9	H-BACK-WASH	2	Hardware: Backing Washer
10	HHB.5X3	2	Hardware: 1/2 X 3 Bolt
11	H-BOLT-1/2 INT LK WA	6	STEEL 1/2 LOCK WASHER
12	HHB.375X2.25	4	Hardware: HB 3/8 X 2.25
13	HHB.5X5	2	Hardware: 1/2 X 5 Bolt
14	WASH.5SAE	8	Hardware: 1/2 SAE Flat Washer
15	BWBE-33	2	BWBE ADJUSTMENT BRACKET
16	8039501	2	Label Warning Triangle 10-0099-067 BNR
17	7499699	2	Pad, 9 X 6-1/2 X 2-7/8 Custom
18	7501099	2	PAD, 15 X 7-3/4 X 2-3/4 Custom

SEAT FRAME ASSEMBLY

Ref #	Part Number	Qty	Description
2	RC1530-1Q1	2	Cap: 1-1/2 X 3 Rectangle Plug
3	RC1520-1Q1	4	Cap:1-1/2 X 2 Rectangle Plug
4	H-HPLUG(REG)	1	Stop: 9/16 IN Hole Plug
5	H-HPLUG(SMALL)	1	1/2 Hole Plug
6	H-NAMEPLATE	1	Decal: Name Plate
7	8758401	1	FIXED BENCH WARNING DECAL - ENG

THIGH ADJUSTMENT ASSEMBLY



Ref #	Part Number	Qty	Description
2	H-GRIP	2	Handle Grips (.938X16)
3	RC1520-1Q1	4	Cap:1-1/2 X 2 Rectangle Plug
4	RC1530-1Q1	2	Cap: 1-1/2 X 3 Rectangle Plug
5	H-PLATE-G1	2	Small Plate Guard

