

70T 16In NT WLAN RFID ATSC/QAM/NTSC

C70T16N-XWRXA-01

Parts Manual

1/5/2019 12:12:12 PM



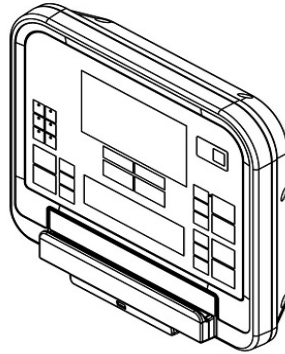


Table of Contents

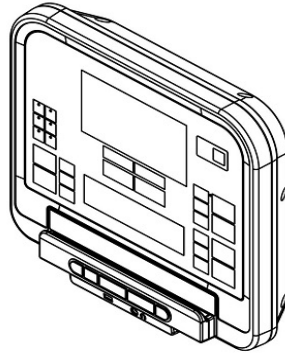
[Console Serial Number Table Non-Treadmill.....](#)3
[Option Panel Assembly.....](#)4

Console Serial Number Table Non-Treadmill

Standard Console

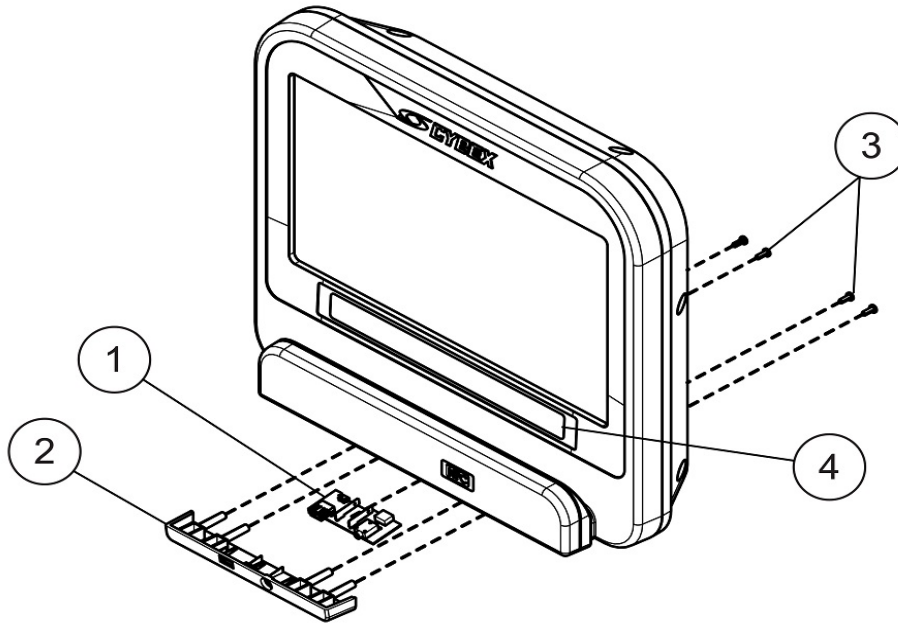


Entertainment Console



Ref #	Part Number	Qty	Description
-	C70T16N-XWRXA-01	1	70T 16In NT WLAN RFID ATSC/QAM/NTSC

Option Panel Assembly



Ref #	Part Number	Qty	Description
1	B084-92391-0004	1	Apollo II Headphone Jack/USB PCB-SRVC1
2	1005513-0001	1	PLASTIC: MULDER OPTION PANEL, CHGR PROMATE
3	0017-00101-1650	4	Hardware: Phillips Pan Screw 0.375"
4	1002200-0002	1	LABEL: WARNING, NONTREAD

