

# 70T 16In NT WLAN RFID PROIDIOM/QAM

C70T16N-XWRXP-01

## Parts Manual

1/5/2019 12:13:36 PM



**Table of Contents**

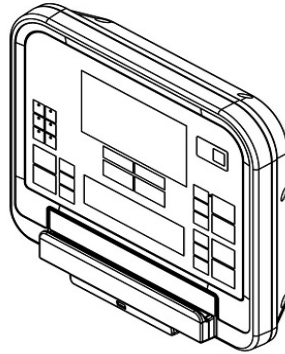
---

[Console Serial Number Table Non-Treadmill.....](#)3  
[Option Panel Assembly.....](#)4

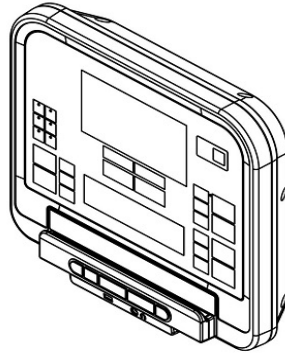
## Console Serial Number Table Non-Treadmill

---

Standard Console



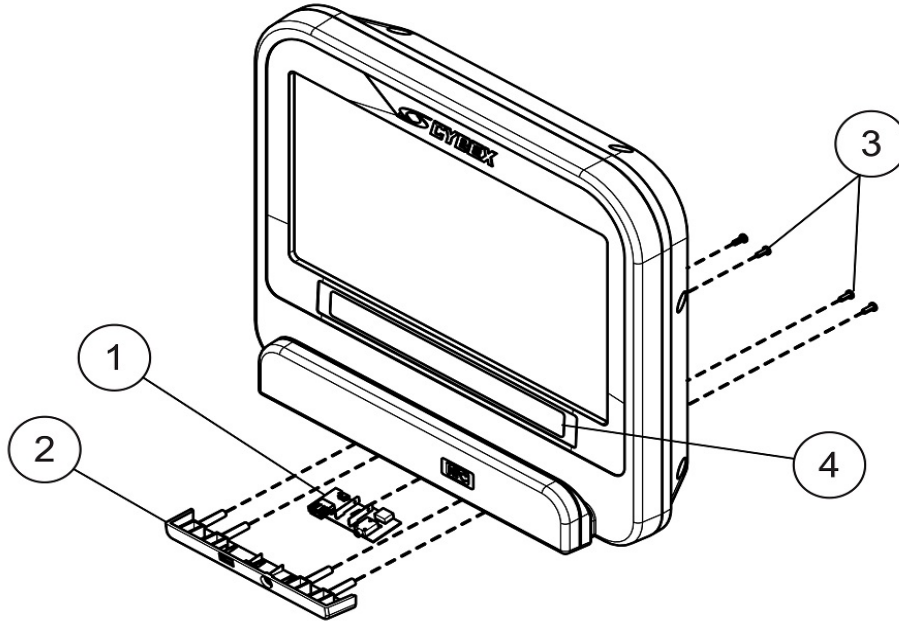
Entertainment Console



Ref #	Part Number	Qty	Description
-	C70T16N-XWRXP-0 1	1	70T 16In NT WLAN RFID PROIDIOM/QAM

## Option Panel Assembly

---



Ref #	Part Number	Qty	Description
OP-001	B084-92391-0004	1	Apollo II Headphone Jack/USB PCB-SRVC1
OP-002	1005513-0001	1	PLASTIC: MULDER OPTION PANEL, CHGR PROMATE
OP-003	0017-00101-1650	4	Hardware: Phillips Pan Screw 0.375"

