

70T 16In NT WLAN PROIDIOM/QAM

C70T16N-XWXXP-01

Parts Manual

1/5/2019 12:14:59 PM

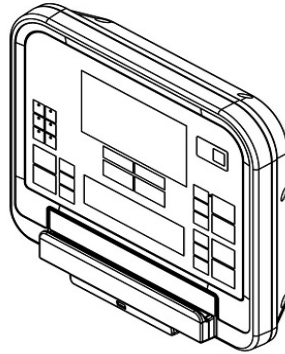


Table of Contents

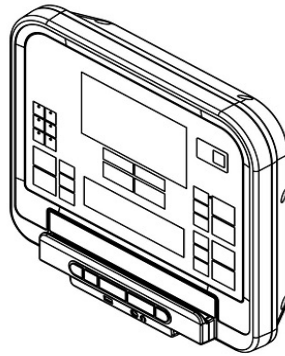
[Console Serial Number Table Non-Treadmill.....](#)3
[Option Panel Assembly.....](#)4

Console Serial Number Table Non-Treadmill

Standard Console

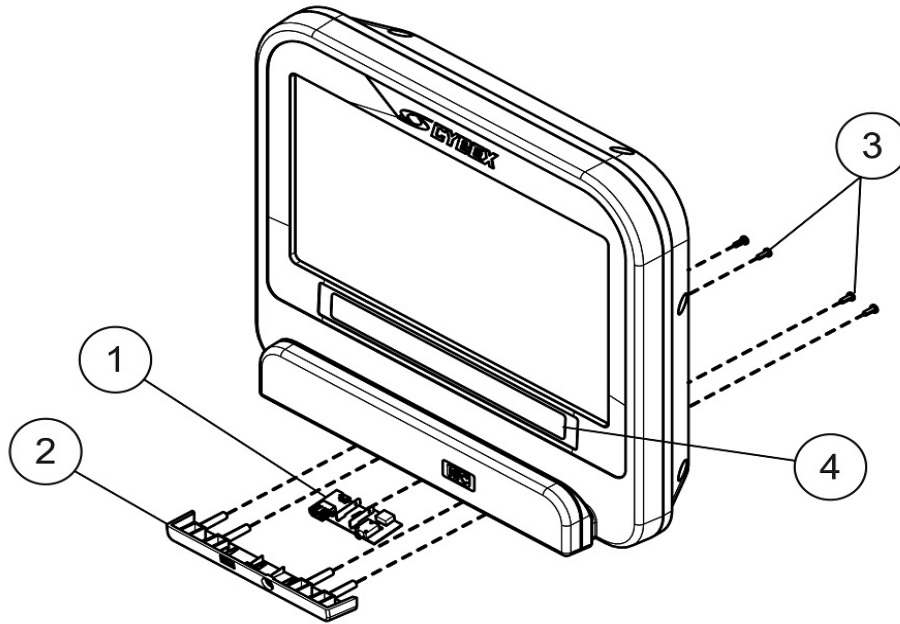


Entertainment Console



Ref #	Part Number	Qty	Description
-	C70T16N-XWXXP-01	2	70T 16In NT WLAN PROIDIOM/QAM

Option Panel Assembly



Ref #	Part Number	Qty	Description
1	B084-92391-0004	2	Apollo II Headphone Jack/USB PCB-SRVC1
2	1005513-0001	2	PLASTIC: MULDER OPTION PANEL, CHGR PROMATE
3	0017-00101-1650	8	Hardware: Phillips Pan Screw 0.375"
4	1002200-0002	2	LABEL: WARNING, NONTREAD

