

C9i Upright Bike - Comfort Groove Seat

C9-0100-04

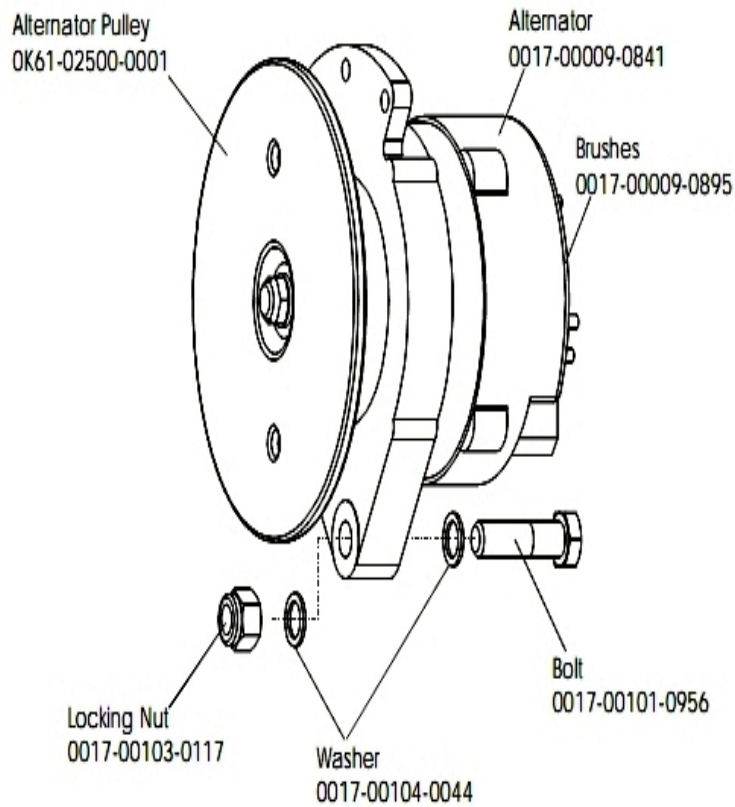
Parts Manual

1/5/2019 12:17:53 PM

Table of Contents

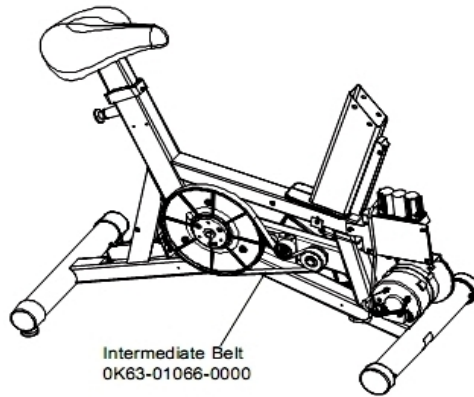
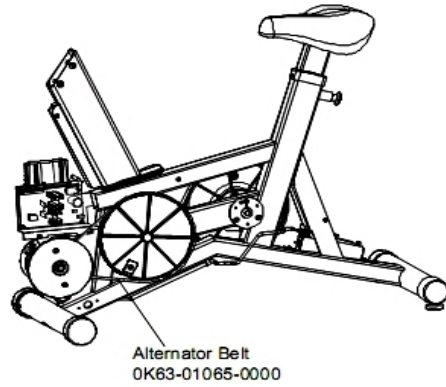
Alternator with Pulley	3
Belts	4
Cables	5
Component Assembly	6
Console Overlay Bezel Assembly	7
Console Support Assembly	8
Crankshaft Assembly	9
Final Frame Assembly	10
Front Wheels	11
Handlebar Assembly	12
Idler Bracket Assembly	13
Intermediate Pulley/Shaft Assembly	14
Left Side Shroud and Crankarm	15
Pull-Pin Assembly	16
PCB Mounting Bracket Assembly	17
Resistor Assembly	18
Right Side Shroud and Crankarm	19
Seat Post Assembly	20

Alternator with Pulley



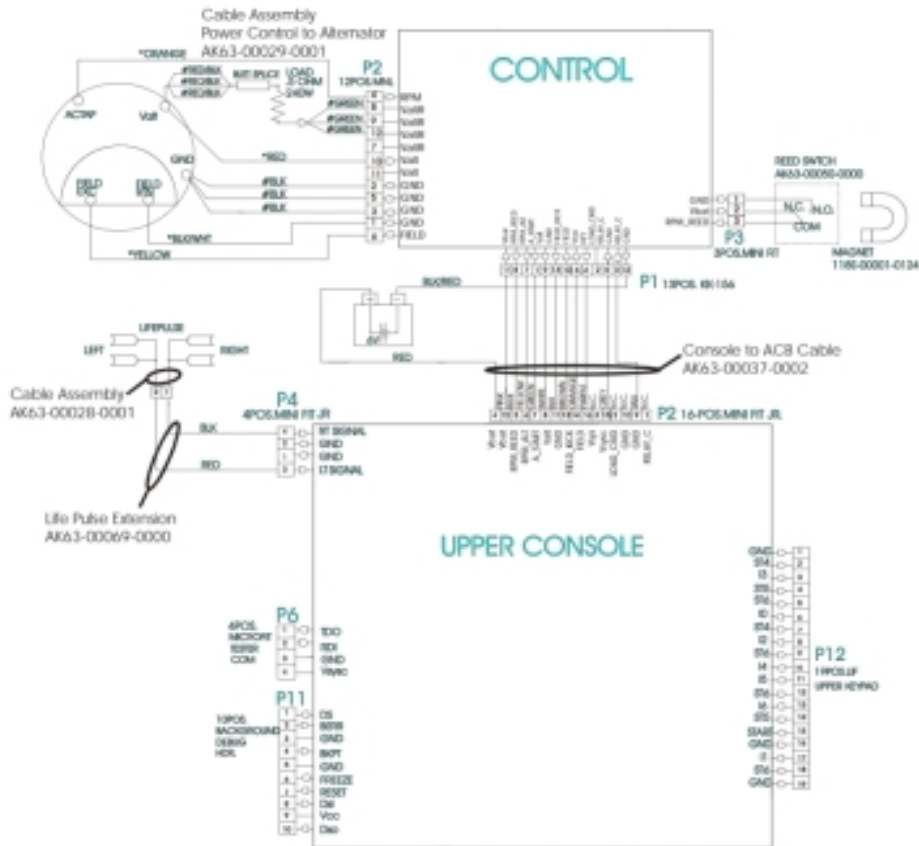
Ref #	Part Number	Qty	Description
-	OK61-01027-0000	1	Flywheel: 6.75" D
-	0017-00103-0117	1	Hardware: Locking Nut 1/2" ID
-	AK63-00093-0000	1	Alternator w/Pulley
-	0017-00101-0956	1	Hardware: Bolt 2"
-	0017-00104-0044	2	Hardware: Washer 0.75" OD
-	0017-00009-0841	1	Alternator
-	0017-00009-0895	1	Alternator Brush Kit

Belts



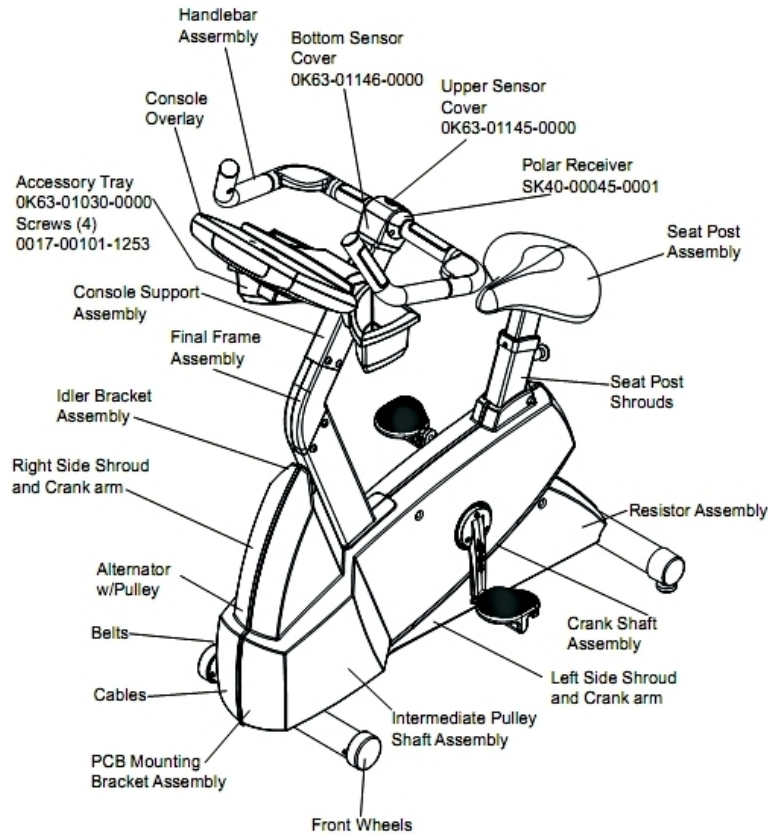
Ref #	Part Number	Qty	Description
-	0K63-01405-0000	1	BELT: POLY-V; 390J6; 39.00 IN
-	GK63-00002-0079	1	Kit: Upright/Rec Belt And Pulley

Cables



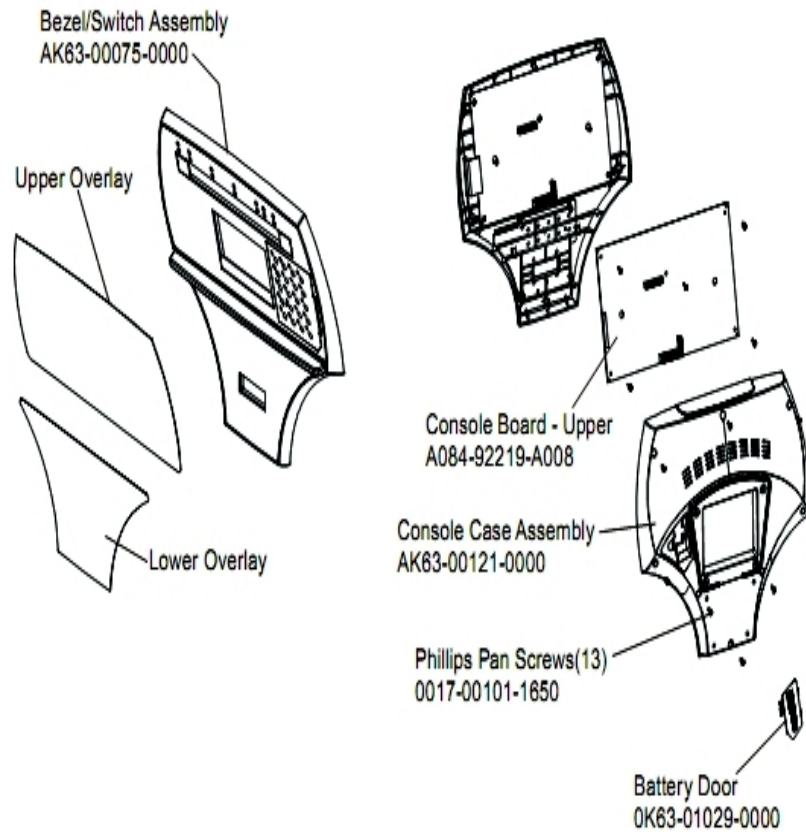
Ref #	Part Number	Qty	Description
-	AK63-00037-0001	1	Console Cable
-	AK36-00021-0003	1	Cable Assembly
-	AK63-00050-0000	1	Reed Switch Bracket Assembly
-	AK63-00029-0001	1	Power Control Cable Assembly
-	AK63-00069-0000	1	Heart Rate Cable
-	AK63-00028-0001	1	LifePulse Cable
-	118E-00001-0124	1	Auto-Start Magnet

Component Assembly



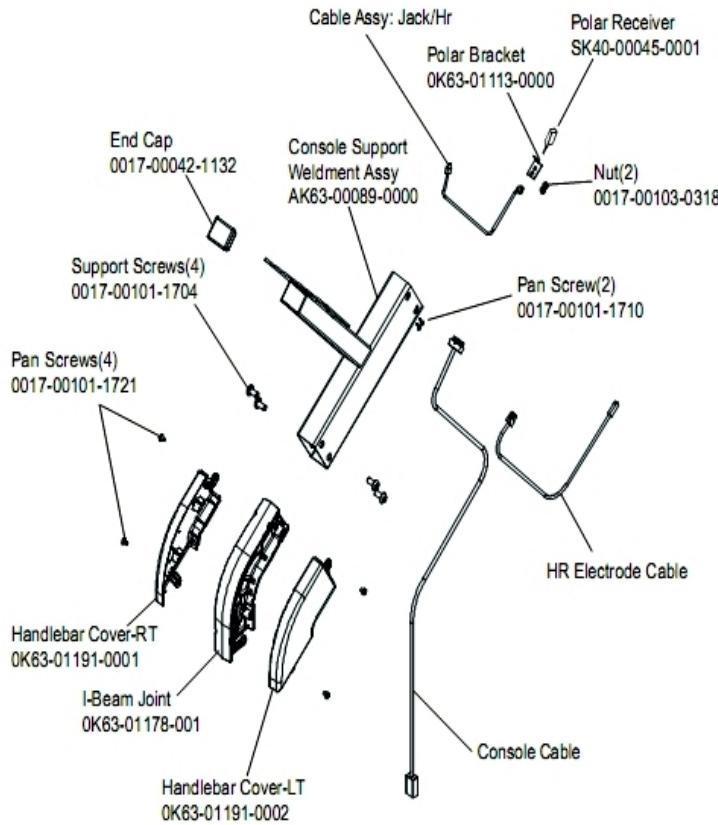
Ref #	Part Number	Qty	Description
-	SK40-00045-0001	1	Polar HR Kit
-	0K63-01146-0000	1	Bottom Sensor Cover
-	0K63-01145-0000	1	Upper Sensor Cover
-	0017-00101-1253	4	Hardware: Screw
-	0K63-01030-0000	1	Accessory Tray

Console Overlay Bezel Assembly



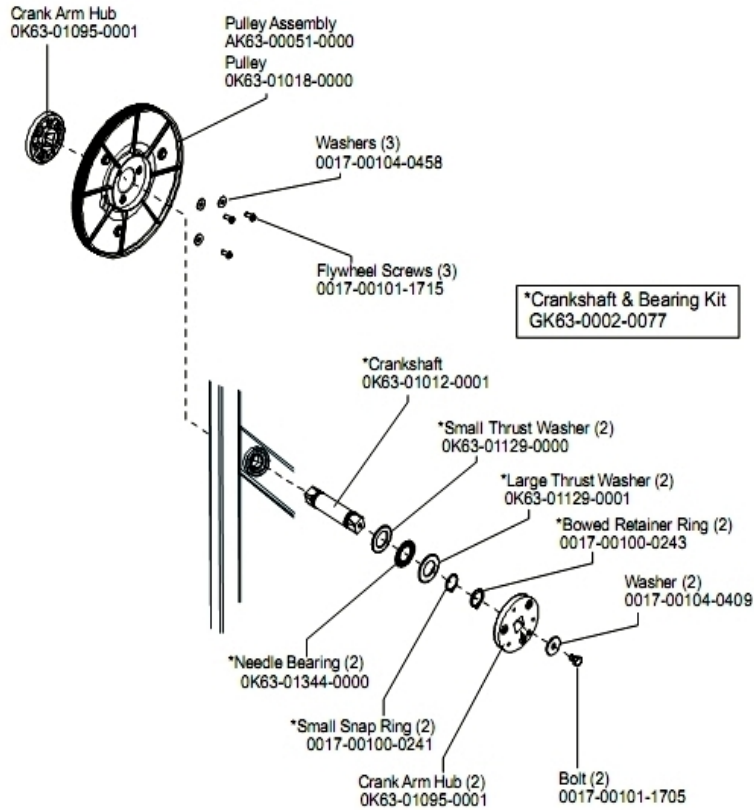
Ref #	Part Number	Qty	Description
-	AK63-00154-0001	1	Bezel/Switch with Overlay Assembly: Mfg; English D
-	AK63-00075-0000	1	Bezel/Switch Assembly
-	AK63-00152-0001	1	Console-Assembly: Mfg; English/English; C9i E
-	AK63-00121-0000	1	Console Case Assembly
-	A084-92219-A008	1	Programmable Console Printed Circuit Board Assembl
-	0017-00101-1650	13	Hardware: Phillips Pan Screw 0.375"
-	0K63-01029-0000	1	Battery Door

Console Support Assembly



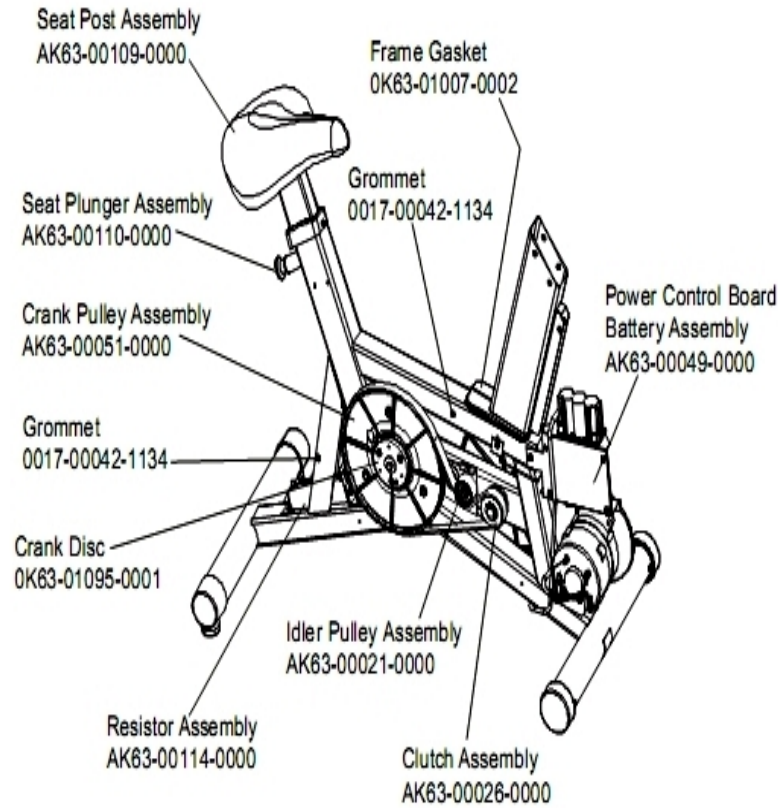
Ref #	Part Number	Qty	Description
-	SK40-00045-0001	1	Polar HR Kit
-	0017-00101-1736	4	Hardware: Support Screw
-	OK63-01191-0001	1	Handlebar Cover-Right
-	0017-00103-0318	2	Hardware: Nut
-	0017-00101-1721	4	Hardware: Pan Screw
-	0017-00101-1710	2	Hardware: Pan Screw
-	0017-00042-1132	1	End Cap
-	AK63-00089-0000	1	Console Support Weldment Assembly
-	OK63-01191-0002	1	Handlebar Cover-Left
-	OK63-01178-0001	1	I-Beam Joint
-	OK63-01113-0000	1	Polar Bracket

Crankshaft Assembly



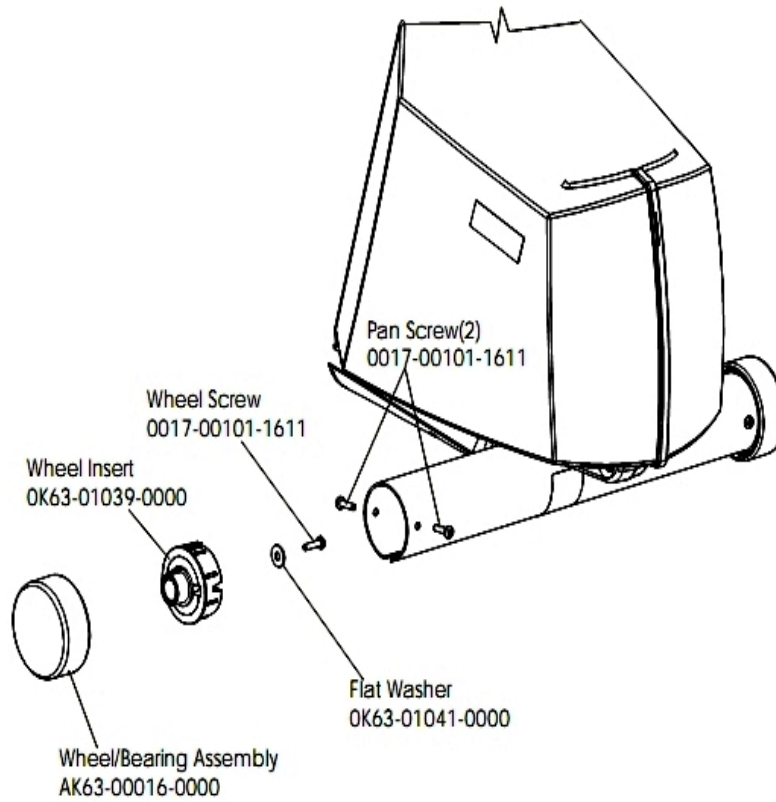
Ref #	Part Number	Qty	Description
-	0K63-01095-0001	3	Crank Arm Hub
-	AK63-00051-0000	1	Pulley Assembly
-	0017-00101-1715	3	Hardware: TORX Cap Screw 0.625"
-	0017-00100-0241	2	Hardware: Small Snap Ring .984"
-	0017-00100-0243	2	Hardware: Bowed Retaining Ring .984"
-	0K63-01129-0000	2	Hardware: Small Thrust Washer
-	GK63-00002-0077	1	Crankshaft and Bearing Kit
-	0K63-01012-0001	1	Crankshaft
-	0017-00104-0409	2	Hardware: Washer 1.125" OD
-	0K63-01018-0000	1	Crank Pulley
-	0017-00104-0458	3	Hardware: Flat Washer 0.75" OD
-	0K63-01129-0001	2	Hardware: Large Thrust Washer
-	0017-00101-1705	2	Hardware: Bolt 0.5"
-	0K63-01344-0000	2	Hardware: Needle Bearing

Final Frame Assembly



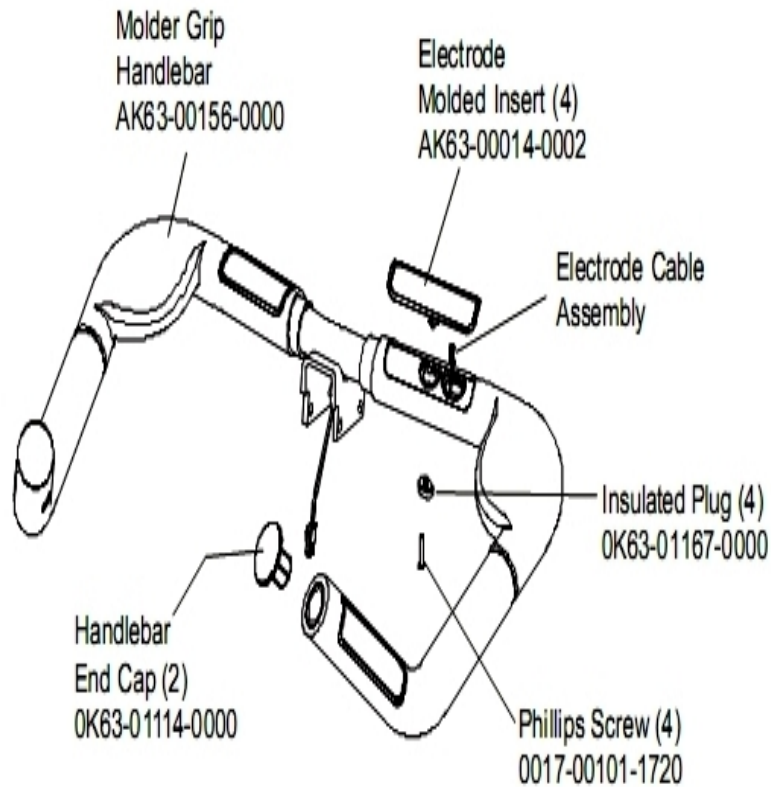
Ref #	Part Number	Qty	Description
-	GK63-00002-0079	1	Kit: Upright/Rec Belt And Pulley
-	AK63-00049-0000	1	PCB Mounting Bracket
-	AK63-00114-0000	1	Resistor Assembly
-	OK63-01095-0001	1	Crank Arm Hub
-	AK63-00110-0000	1	Seat-Post Plunger Assembly: Mfg. B
-	0017-00042-1134	2	Grommet
-	AK63-00109-0000	1	Seatpost-Assembly: Mfg. S/C-E
-	AK63-00021-0000	1	Idler Bracket Assembly
-	AK63-00051-0000	1	Pulley Assembly
-	OK63-01007-0002	1	Frame Gasket

Front Wheels



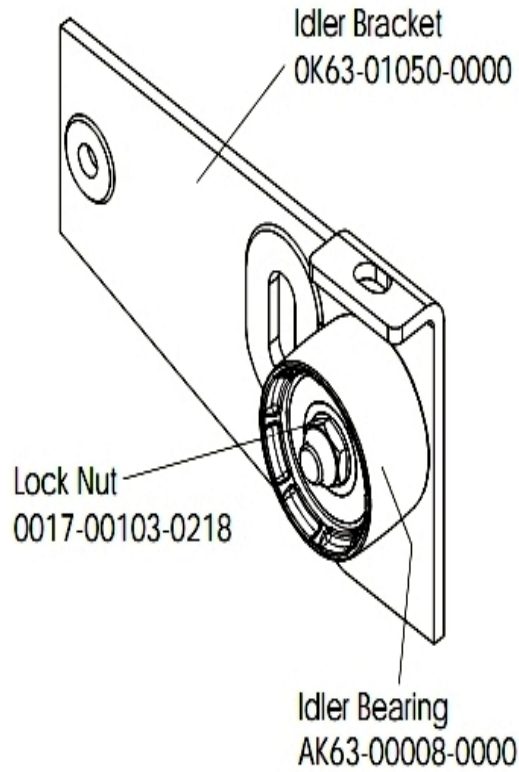
Ref #	Part Number	Qty	Description
-	OK63-01039-0000	2	Wheel Insert
-	AK63-00016-0000	2	Wheel/Bearing Assembly
-	0017-00101-1611	6	Hardware: Insert Screw
-	OK63-01041-0000	2	Hardware: Flat Washer

Handlebar Assembly



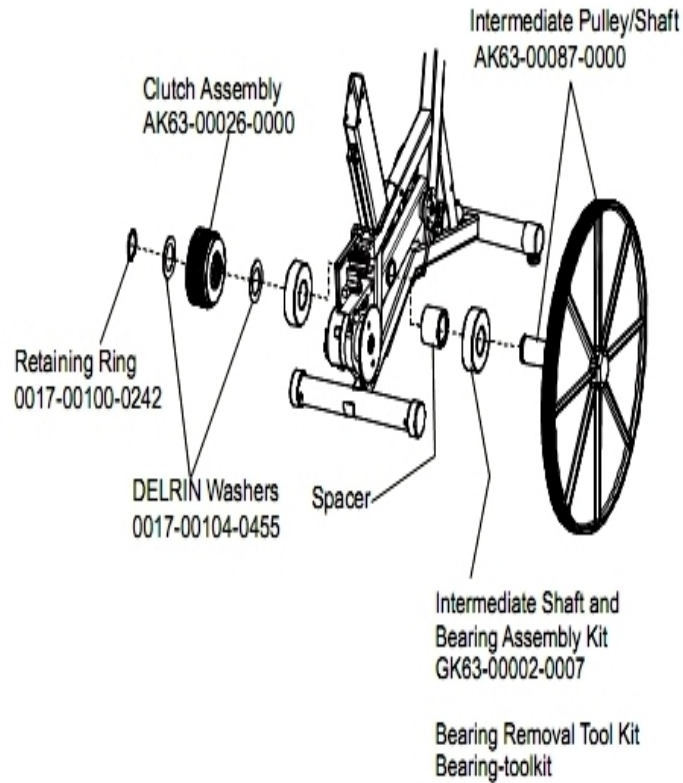
Ref #	Part Number	Qty	Description
-	0017-00101-1720	4	Hardware: Mounting Screw 1"
-	OK63-01167-0000	4	Insulated Plug
-	AK63-00156-0000	1	Molder Grip Handlebar
-	AK63-00091-0000	1	Handlebar Assembly
-	OK63-01114-0000	2	Cap
-	AK63-00014-0002	4	ELECTRODE-INSERT ASSY: RED; PURCH S/C-D

Idler Bracket Assembly



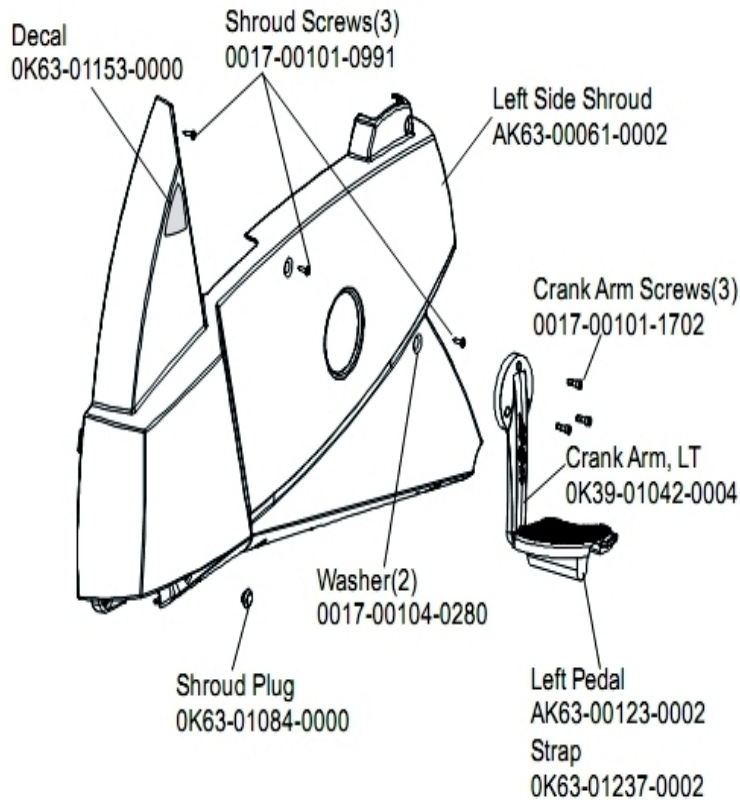
Ref #	Part Number	Qty	Description
-	0017-00103-0218	1	Hardware: Lock Nut 3/8" ID
-	AK63-00021-0000	1	Idler Bracket Assembly
-	AK63-00008-0000	1	Idler w/Bearing
-	OK63-01050-0000	1	Idler Bracket

Intermediate Pulley/Shaft Assembly



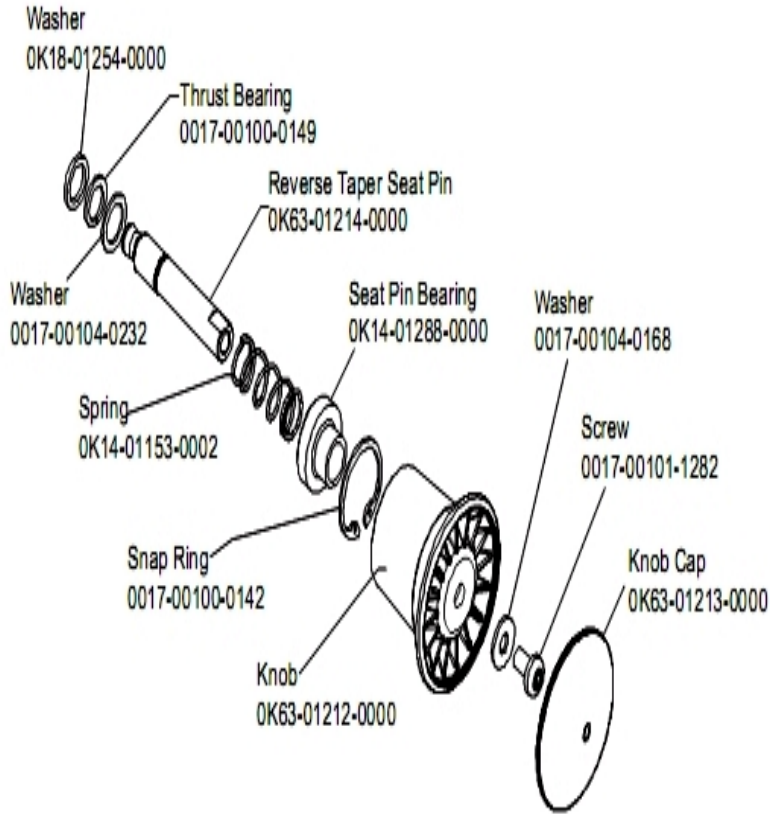
Ref #	Part Number	Qty	Description
-	GK63-00002-0007	1	Intermediate Shaft and Bearing Assembly
-	0017-00104-0455	2	Hardware: Delrin Washer 1.250" OD
-	GK63-00002-0079	1	Kit: Upright/Rec Belt And Pulley
-	0017-00100-0242	1	Hardware: Retaining Ring .781"
-	AK63-00087-0000	1	Intermediate Pulley

Left Side Shroud and Crankarm



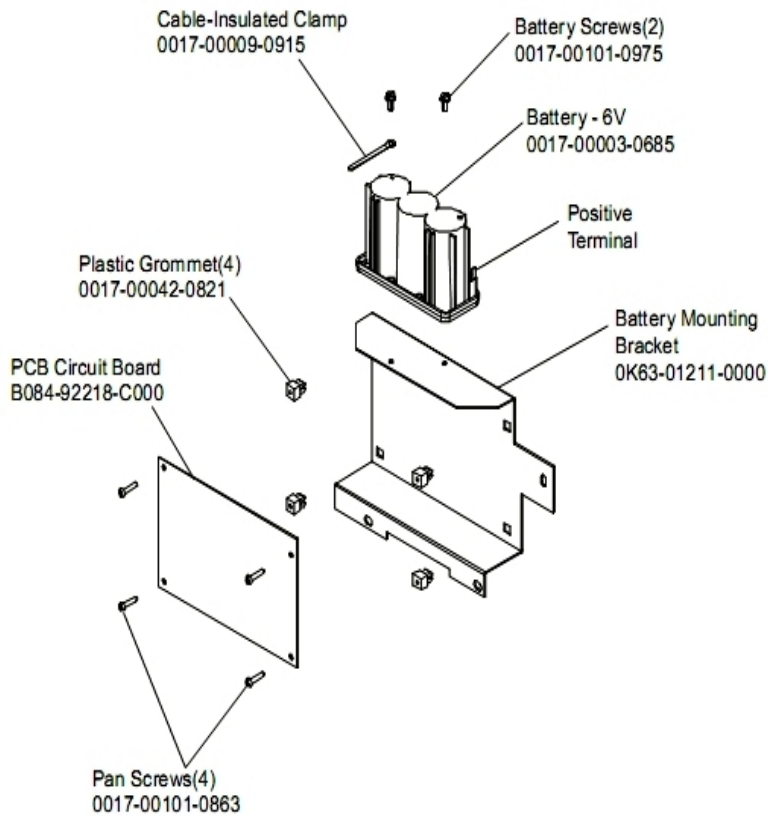
Ref #	Part Number	Qty	Description
-	0017-00101-0991	3	Hardware: Phillips Pan Screw 0.75"
-	OK63-01084-0000	1	Shroud Plug
-	AK63-00061-0002	1	Shroud with Decal Assembly: Mfg; Left D
-	0017-00101-1702	3	Hardware: Screw
-	AK63-00123-0002	1	Left Pedal
-	OK63-01237-0002	1	Left Pedal Strap
-	OK63-01153-0000	1	Decal
-	OK39-01042-0004	1	Crank Arm Left
-	0017-00104-0280	2	Hardware: Washer

Pull-Pin Assembly



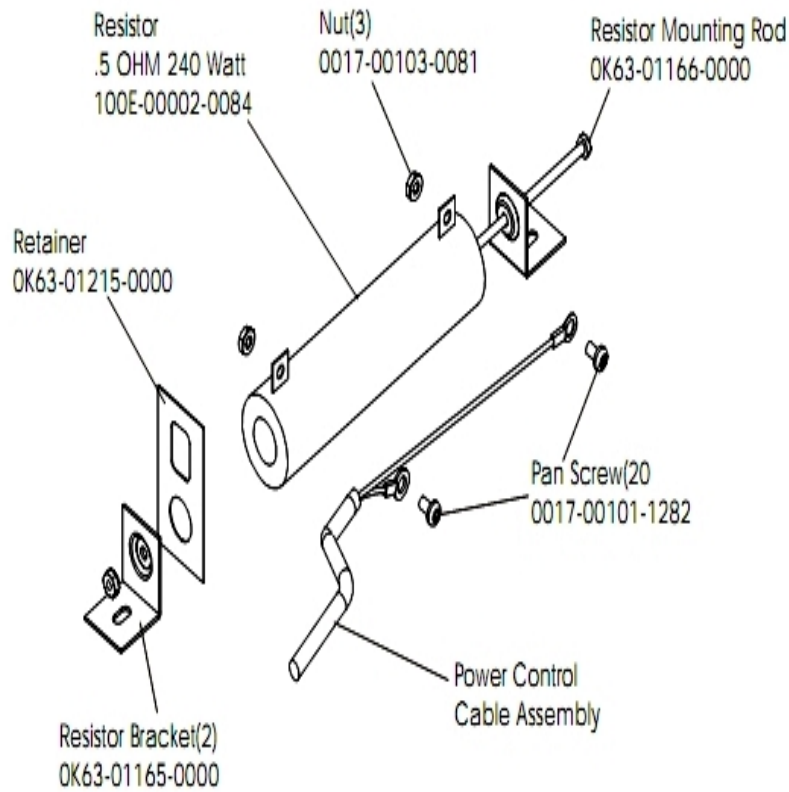
Ref #	Part Number	Qty	Description
-	0K63-X1214-0000	1	PIN: SEAT; REVERSE-TAPER B
-	0K63-X1212-0000	1	KNOB: C
-	AK63-00110-0000	1	Seat-Post Plunger Assembly: Mfg. B
-	0017-00101-1282	1	Hardware: TORX Screw 0.375"
-	0017-00104-0232	1	Hardware: Washer
-	0K14-01288-0000	1	Seat Pin Bearing
-	0017-00100-0142	1	Bearing
-	0017-00100-0149	1	Bearing
-	0K63-X1213-0000	1	CAP: KNOB B
-	0K14-01153-0002	1	Spring
-	0017-00104-0168	1	Hardware: Flat Washer 0.5" OD
-	0K18-01254-0000	1	Hardware: Washer

PCB Mounting Bracket Assembly



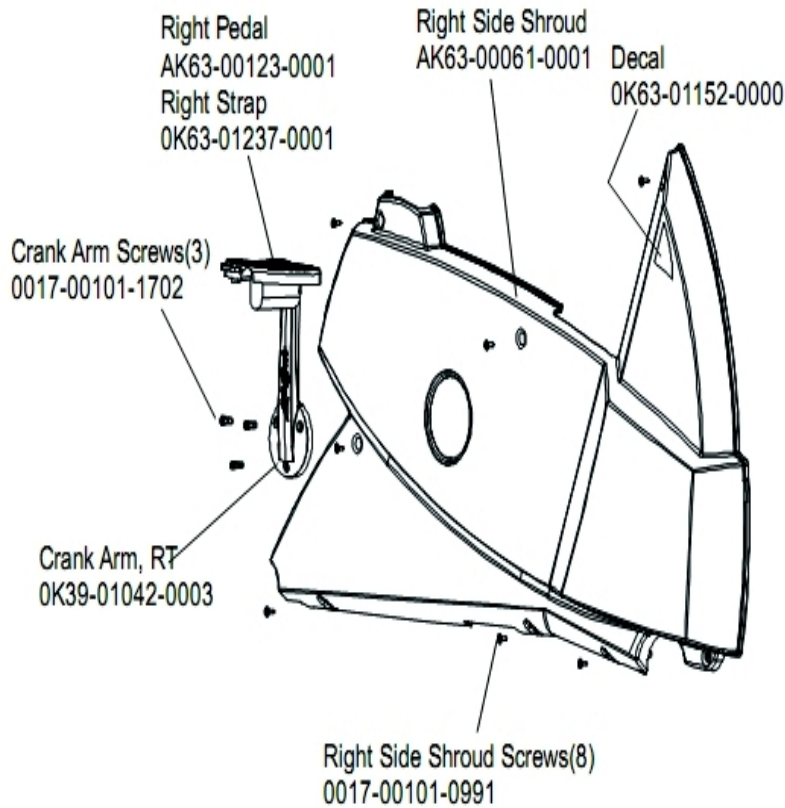
Ref #	Part Number	Qty	Description
-	0017-00042-0821	4	Hardware: Plastic Grommet
-	0017-00003-0685	1	6V Battery
-	0017-00101-0975	2	Hardware: Mounting Bolt 0.375"
-	0017-00009-0915	1	Cable-Insulated Clamp
-	GK61-00002-0045	1	Power Control Board
-	0K63-01211-0000	1	Battery Mounting Bracket

Resistor Assembly



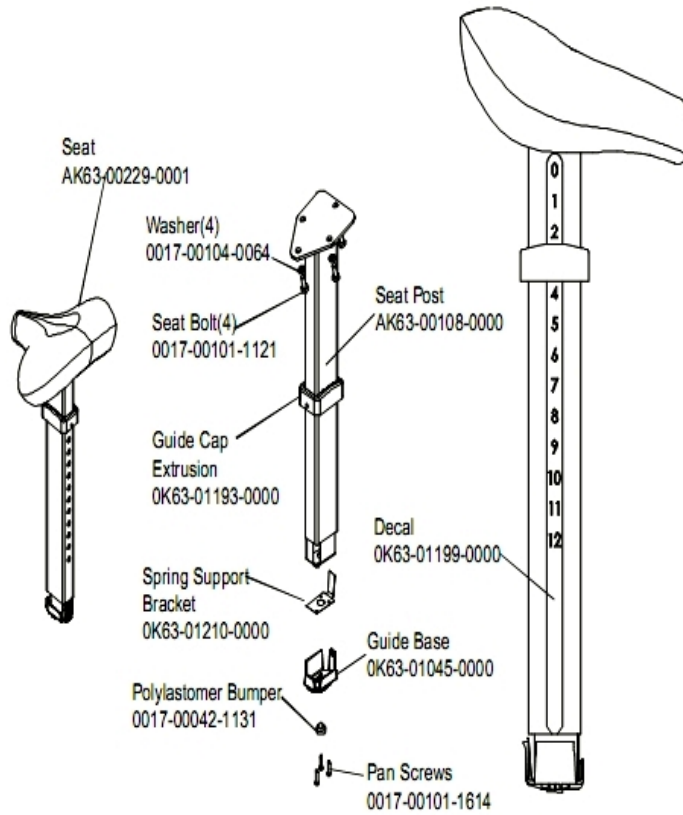
Ref #	Part Number	Qty	Description
-	0017-00101-1282	2	Hardware: TORX Screw 0.375"
-	OK63-01215-0000	1	Hardware: Resistor Retainer
-	OK63-01165-0000	2	Resistor Bracket
-	100E-00002-0084	1	Resistor
-	OK63-01166-0000	1	Resistor Mounting Rod
-	0017-00103-0081	3	Hardware: Hex Nut ID

Right Side Shroud and Crankarm



Ref #	Part Number	Qty	Description
-	OK63-01152-0000	1	ART: DECAL; SEAT-POST +
-	AK63-00061-0001	1	Shroud with Decal Assembly: Mfg; Right. D
-	0017-00101-1702	3	Hardware: Screw
-	0017-00101-0991	8	Hardware: Phillips Pan Screw 0.75"
-	OK39-01042-0003	1	Crank Arm Right
-	OK63-01237-0001	1	Right Pedal Strap
-	AK63-00123-0001	1	Right Pedal

Seat Post Assembly



Ref #	Part Number	Qty	Description
-	AK63-00109-0001	1	Seatpost-Assembly: Mfg; Deluxe; C9i S/C-E
-	0017-00042-1131	1	Bumper
-	0017-00101-1121	4	Hardware: Bolt 4.6875"
-	AK63-00229-0001	1	Seat-Deluxe
-	OK63-01193-0000	1	Cap: Guide; Seat-Post D
-	0017-00101-1614	3	Hardware: Screw 0.625"
-	OK63-01210-0000	1	Spring Support Bracket
-	AK63-00108-0000	1	Seatpost-Weld Assembly: Purchased S/C-C
-	0017-00104-0064	4	Hardware: Lock Washer 0.586" OD
-	OK63-01045-0000	1	Guide Base
-	OK63-01199-0000	1	Decal: Seat-Post B

