

# Retro Fitness Upright Bike Dom Base

CLSC-ALLXX-05RF

## Parts Manual

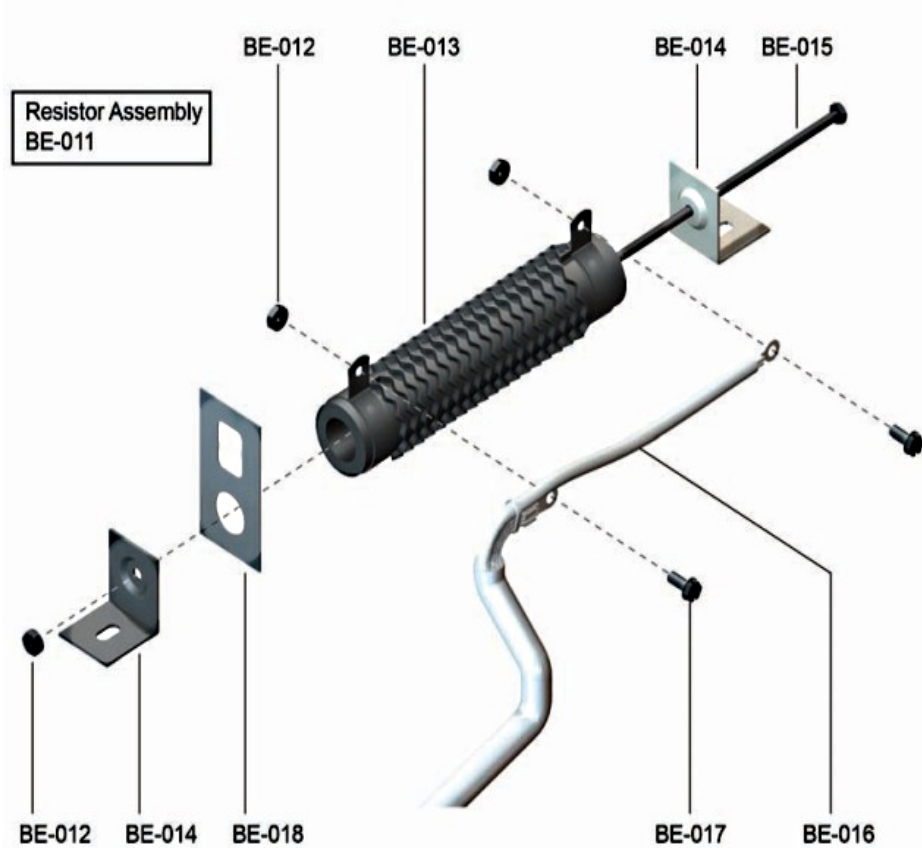
1/5/2019 12:32:16 PM

**Table of Contents**

---

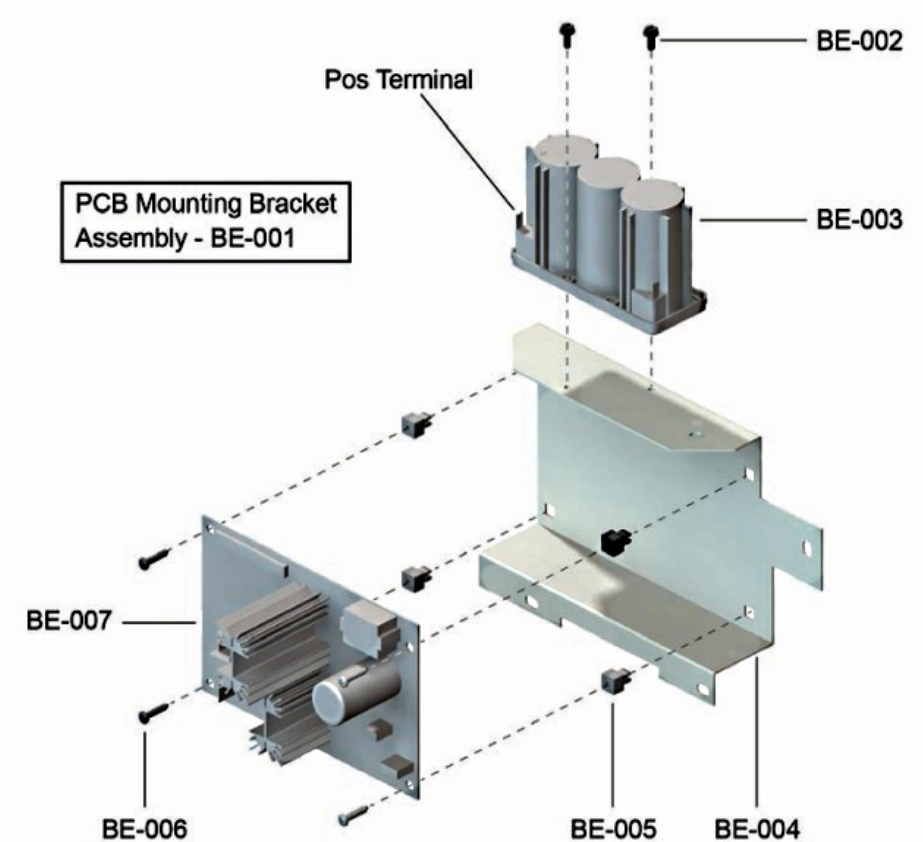
<a href="#">Base Electronics - Resistor Assembly.....</a>	<a href="#">3</a>
<a href="#">Base Electronics - 6V Battery, Power Control PCB.....</a>	<a href="#">4</a>
<a href="#">Console Assembly.....</a>	<a href="#">5</a>
<a href="#">Drive System - Belts, Alternators with Pulley Assembly.....</a>	<a href="#">7</a>
<a href="#">Drive System - Crankshaft and Bearing Assembly.....</a>	<a href="#">8</a>
<a href="#">Drive System - Idler Bracket Assembly.....</a>	<a href="#">9</a>
<a href="#">Drive System - Intermediate Shaft and Bearing Assembly.....</a>	<a href="#">10</a>
<a href="#">Frame System - Console Screws and Polar Covers.....</a>	<a href="#">11</a>
<a href="#">Frame System - Console Support Assembly.....</a>	<a href="#">12</a>
<a href="#">Frame System - Left Shroud and Crank Arm.....</a>	<a href="#">13</a>
<a href="#">Frame System - Right Shroud and Crank Arm.....</a>	<a href="#">14</a>
<a href="#">Frame System - Seat Post Shrouds.....</a>	<a href="#">15</a>
<a href="#">Frame System - Wheel, Leveler and Power/Coax Input.....</a>	<a href="#">16</a>
<a href="#">Heart Rate.....</a>	<a href="#">17</a>
<a href="#">Miscellaneous.....</a>	<a href="#">18</a>
<a href="#">Seat Mechanism - Seat Latch Assembly.....</a>	<a href="#">19</a>
<a href="#">Seat Mechanism - Seat Post Assembly.....</a>	<a href="#">20</a>
<a href="#">Wiring.....</a>	<a href="#">21</a>

## Base Electronics - Resistor Assembly



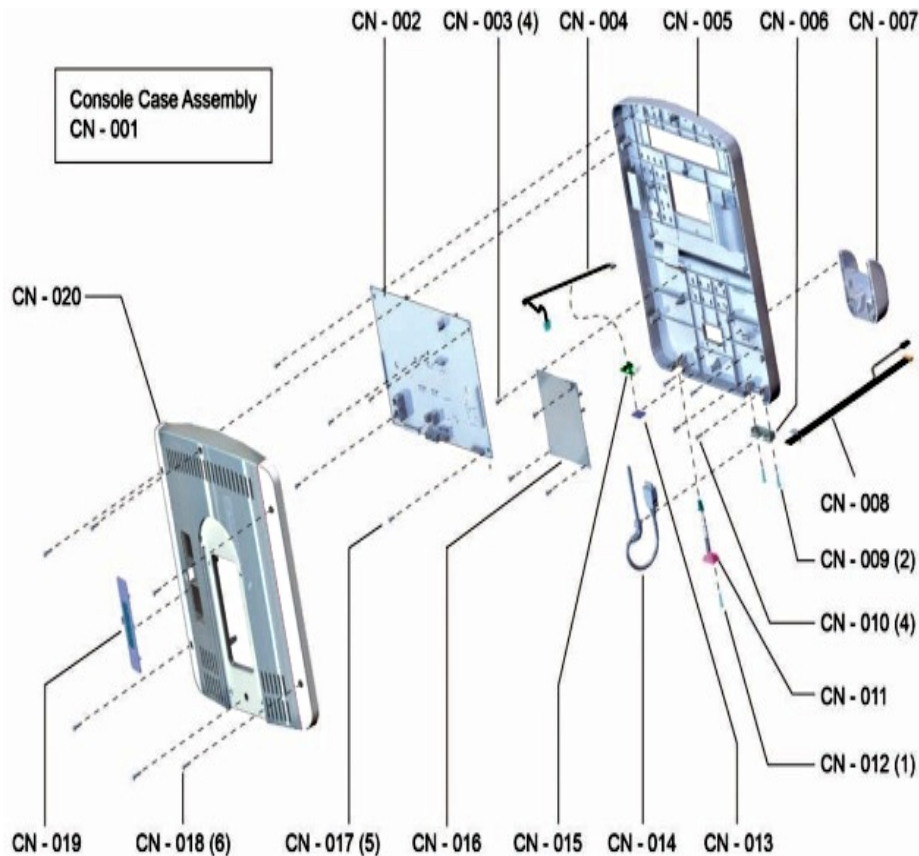
Ref #	Part Number	Qty	Description
BE-011	AK63-00047-0001	1	Resistor Assembly
BE-012	0017-00103-0081	3	Hardware: Hex Nut ID
BE-013	100E-00002-0092	1	Resistor .5 OHM 240 Watt
BE-014	0K63-01165-0000	2	Resistor Bracket
BE-015	0K63-01166-0000	1	Resistor Mounting Rod
BE-016	AK63-00029-0001	1	Power Control Cable Assembly
BE-017	0017-00101-1057	2	Hardware: Pan Screw 0.5"
BE-018	0K63-01215-0000	1	Hardware: Resistor Retainer

## Base Electronics - 6V Battery, Power Control PCB



Ref #	Part Number	Qty	Description
BE-001	AK63-00049-0001	1	PCB Mounting Bracket Assembly
BE-002	0017-00101-0975	2	Hardware: Mounting Bolt 0.375"
BE-003	0017-00003-0685	1	6V Battery
BE-004	0K63-01211-0000	1	Battery Mounting Bracket
BE-005	0017-00042-0821	4	Hardware: Plastic Grommet
BE-006	0017-00101-0823	4	Hardware: Screw 0.75"
BE-007	B084-92218-0000	1	PCB Circuit Board

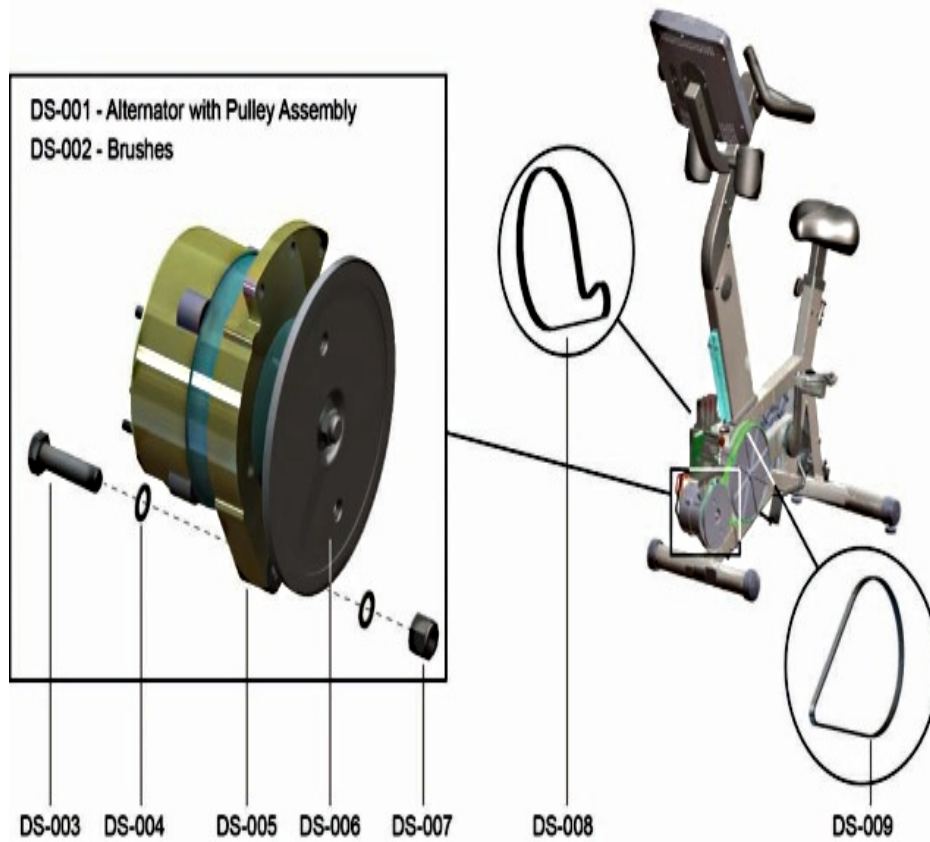
## Console Assembly



Ref #	Part Number	Qty	Description
CN-001	CLEDB-ENGEX-05R FN	1	NC RF Bike Console Eng/Eng NO Connect
CN-002	A084-92367-0001	1	NC PROGRAMMED PCB NON-TREADMILL CONSOLE P/N LF92367-01BRC
CN-003,CN -017	0017-00101-1650	6	Hardware: Phillips Pan Screw 0.375"
CN-004	AK69-00157-0000	1	Polar Cable
CN-005	AK86-00056-0600	1	OVERLAY: BEZEL SWITCH; ASSY; IPOD HOLDER; RETRO INTEGRITY; CLSC/CLSR
CN-006	0K86-01045-0200	1	PLASTIC: USB ACCESS DOOR
CN-007	0K86-01003-0200	1	iPod Holder
CN-008	AK86-00003-0000	1	iPod Console Cable: Non-Tread
CN-009,CN -012	0017-00101-2152	3	SCREW: 6-32 X 7/8" PHL PAN MS ST BZ
CN-010	3223501	4	Hardware: Holder Mounting Screw
CN-011	AK86-00025-0201	1	Headphone Jack
CN-013	0K39-01044-0001	1	Double-sided Tape
CN-014	AK86-00090-0000	1	CABLE ASSY: FEMALE USB CABLE RECEPTICAL
CN-015	118E-00001-0244	1	Heart Rate Receiver
CN-016	B084-92368-0000	1	Lower PCB
CN-018	0017-00101-1242	6	Hardware: Phillips Pan Screw 0.75"
CN-019	0K62-01026-0202	1	Battery Door

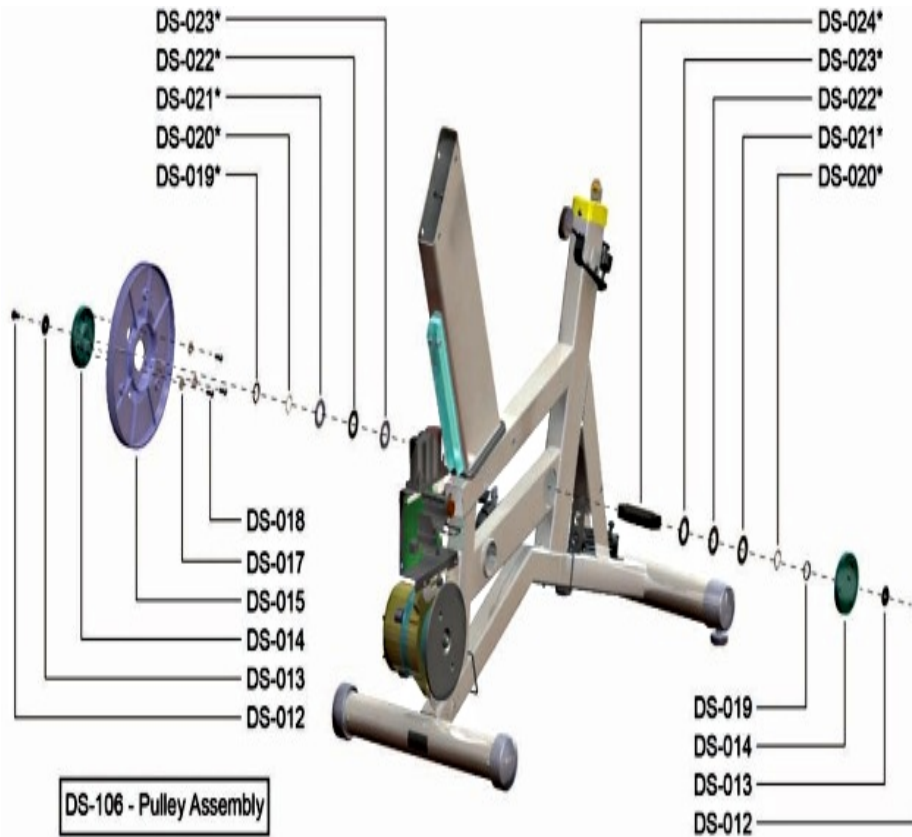
<b>Ref #</b>	<b>Part Number</b>	<b>Qty</b>	<b>Description</b>
CN-020	AK86-00024-0201	1	Console Case Assembly
-	0K62-01175-0001	1	Decal

## Drive System - Belts, Alternators with Pulley Assembly



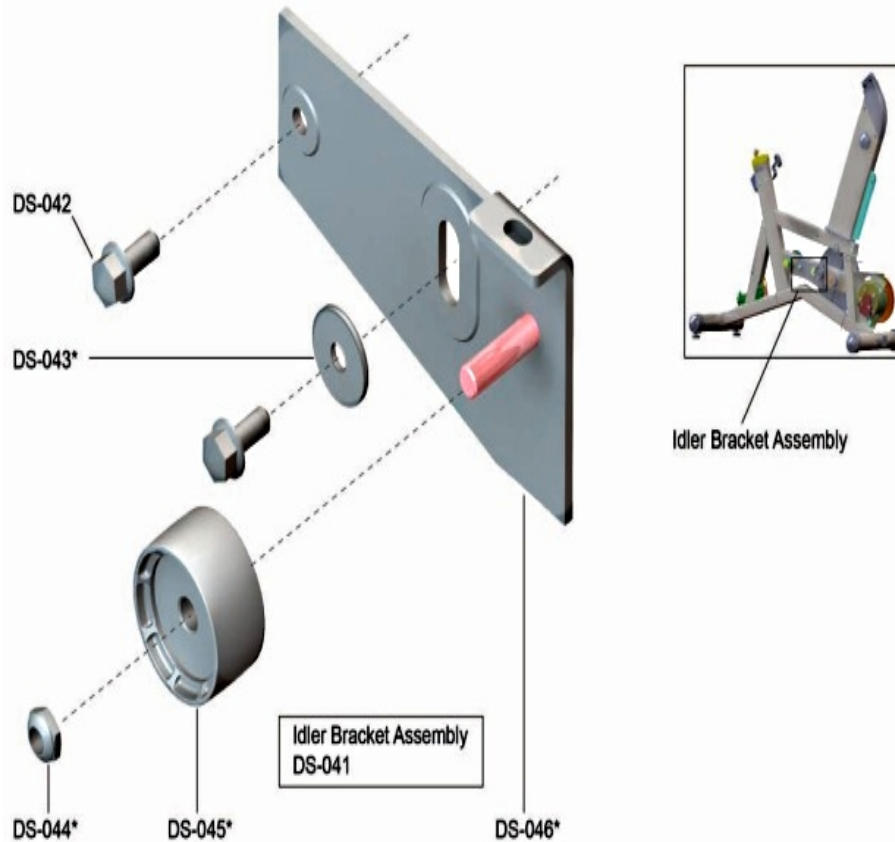
Ref #	Part Number	Qty	Description
DS-001	AK63-00093-0000	1	Alternator w/Pulley
DS-002	0017-00009-0895	1	Alternator Brush Kit
DS-003	0017-00101-0956	1	Hardware: Bolt 2"
DS-004	0017-00104-0044	2	Hardware: Washer 0.75" OD
DS-005	0017-00009-0841	1	Alternator
DS-006	0K61-01027-0000	1	Flywheel: 6.75" D
DS-007	0017-00103-0117	1	Hardware: Locking Nut 1/2" ID
DS-008	0K63-01405-0000	1	BELT: POLY-V; 390J6; 39.00 IN
DS-009	GK63-00002-0079	1	Kit: Upright/Rec Belt And Pulley

## Drive System - Crankshaft and Bearing Assembly



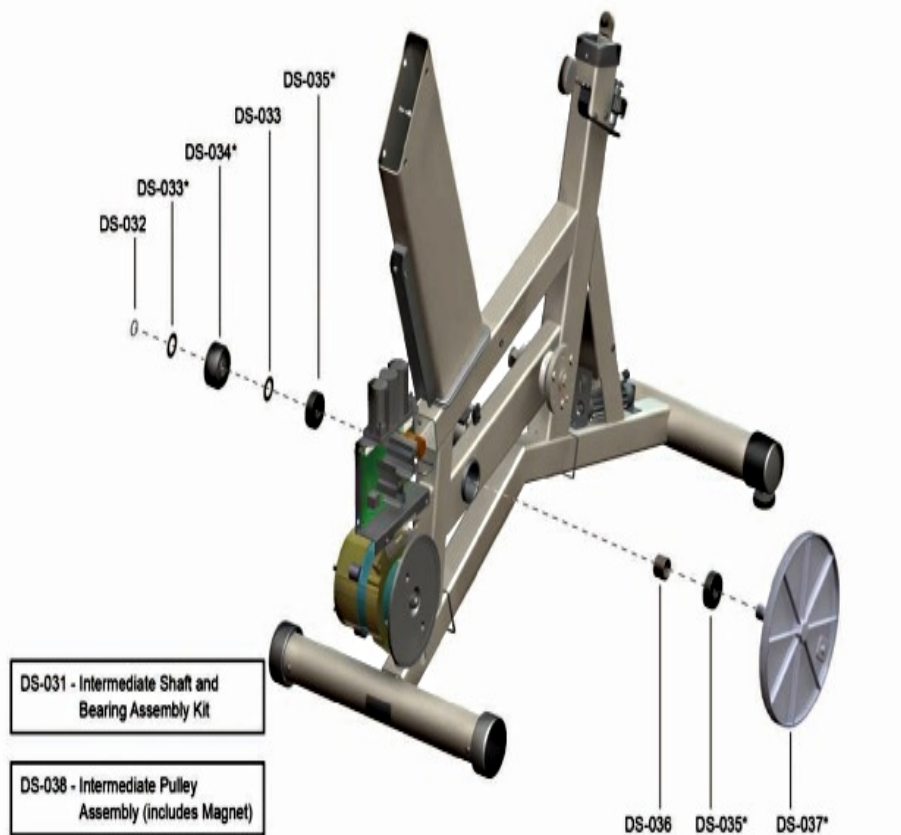
Ref #	Part Number	Qty	Description
DS-011	GK63-00002-0077	1	Crankshaft and Bearing Kit
DS-012	0017-00101-1705	2	Hardware: Bolt 0.5"
DS-013	0017-00104-0409	2	Hardware: Washer 1.125" OD
DS-014	0K63-01095-0001	2	Crank Arm Hub
DS-015	AK63-00051-0000	1	Pulley Assembly
DS-016	0K63-01018-0000	1	Crank Pulley
DS-017	0017-00104-0458	3	Hardware: Flat Washer 0.75" OD
DS-018	0017-00101-1715	3	Hardware: TORX Cap Screw 0.625"
DS-019	0017-00100-0243	2	Hardware: Bowed Retaining Ring .984"
DS-020	0017-00100-0241	2	Hardware: Small Snap Ring .984"
DS-021	0K63-01129-0001	2	Hardware: Large Thrust Washer
DS-022	0K63-01344-0000	2	Hardware: Needle Bearing
DS-023	0K63-01129-0000	2	Hardware: Small Thrust Washer
DS-024	0K63-01012-0001	1	Crankshaft

## Drive System - Idler Bracket Assembly



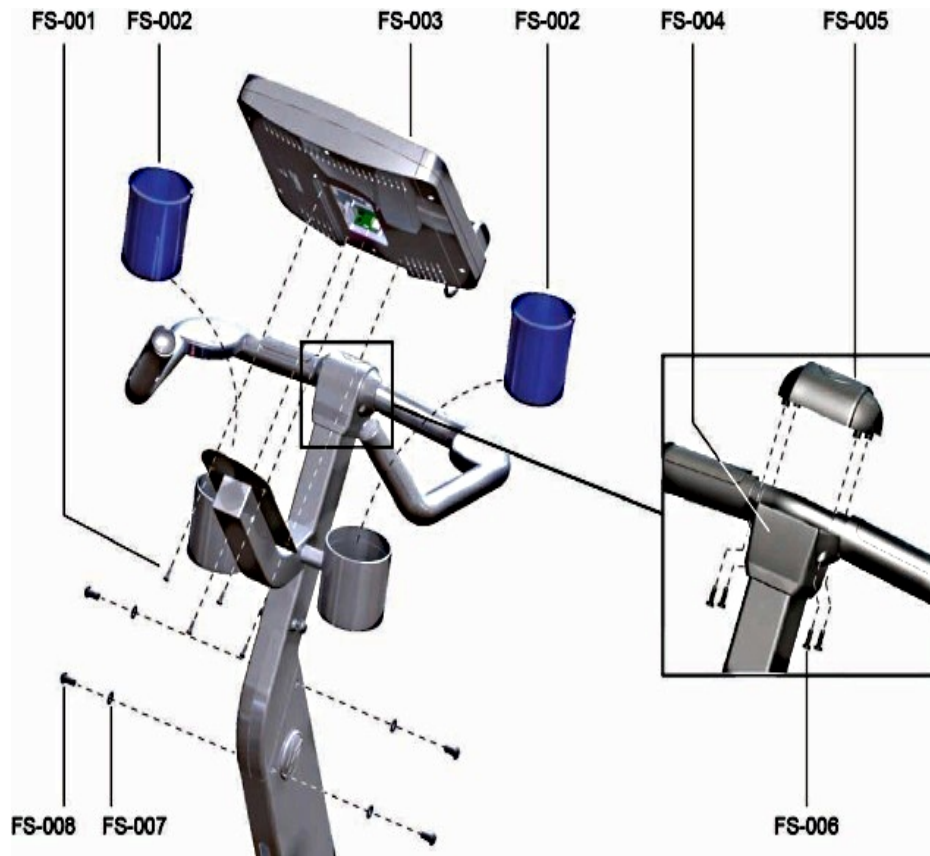
Ref #	Part Number	Qty	Description
DS-041	AK63-00021-0000	1	Idler Bracket Assembly
DS-042	0017-00101-1183	2	Hardware: Bolt 0.75"
DS-043	0017-00104-0409	1	Hardware: Washer 1.125" OD
DS-044	0017-00103-0218	1	Hardware: Lock Nut 3/8" ID
DS-045	AK63-00008-0000	1	Idler w/Bearing
DS-046	0K63-01050-0000	1	Idler Bracket

## Drive System - Intermediate Shaft and Bearing Assembly



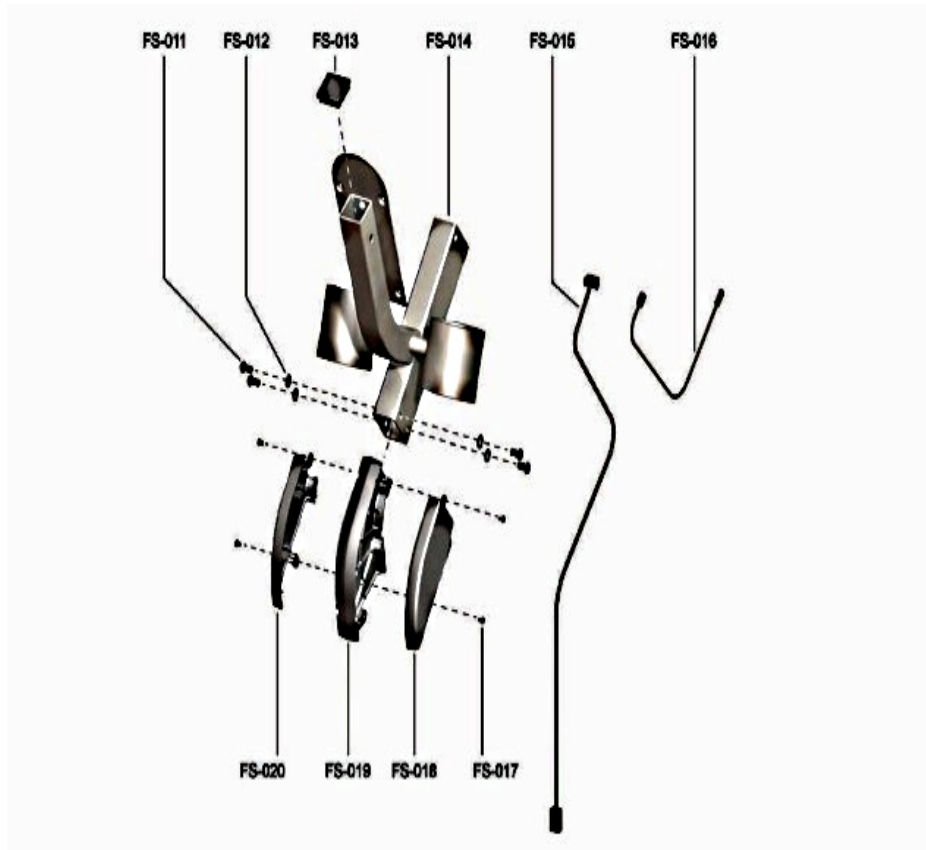
Ref #	Part Number	Qty	Description
DS-031	GK63-00002-0007	1	Intermediate Shaft and Bearing Assembly
DS-032	0017-00100-0242	1	Hardware: Retaining Ring .781"
DS-033	0017-00104-0455	2	Hardware: Delrin Washer 1.250" OD
DS-034	GK63-00002-0079	1	Kit: Upright/Rec Belt And Pulley
DS-035	0017-00006-0276	2	Hardware: Intermediate Bearing
DS-036	0K63-01221-0000	1	Hardware: Spacer
DS-037	AK63-00087-0000	1	Intermediate Pulley
DS-038	AK63-00052-0000	1	Intermediate Pulley Assembly

## Frame System - Console Screws and Polar Covers



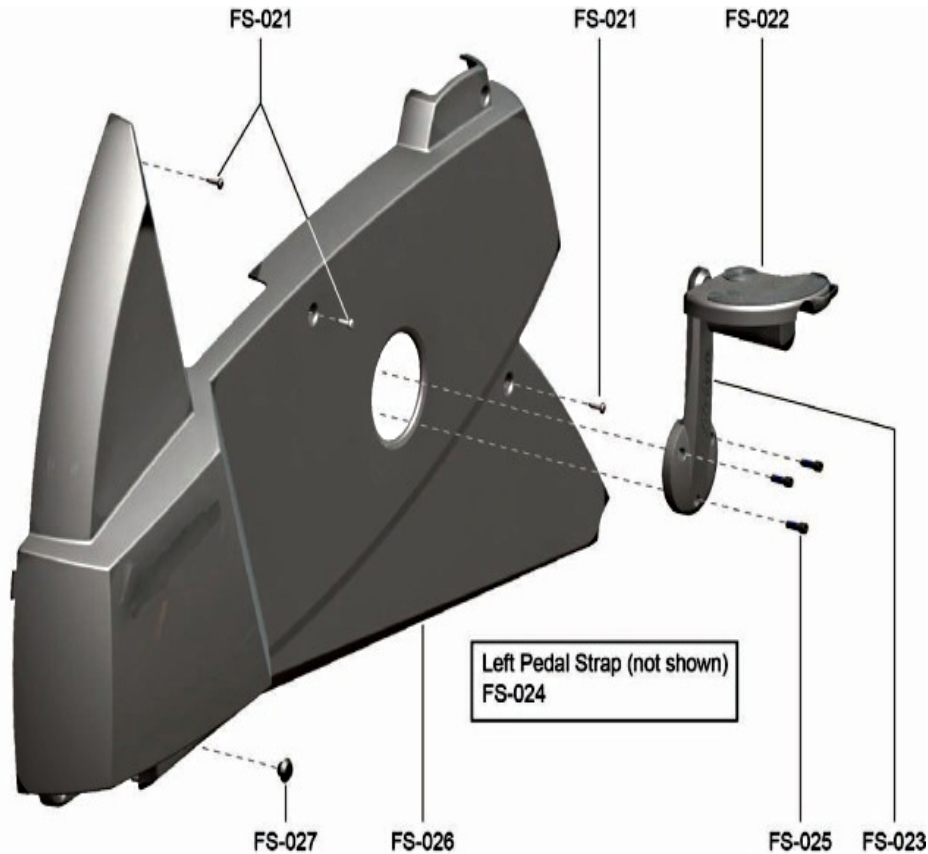
Ref #	Part Number	Qty	Description
FS-001,FS-006	0017-00101-1744	8	Hardware: Phillips Pan Screw
FS-002	GK63-00002-0080	1	KIT: INT CUPHOLDER W/ ORINGS
FS-004	0K63-01146-0204	1	Lower Cover
FS-005	0K63-01145-0204	1	Upper Cover
FS-007	0017-00104-0464	4	Hardware: Flat Washer 0.734" OD
FS-008	0017-00101-1755	4	Hardware: TORX Bolt 0.75"

## Frame System - Console Support Assembly



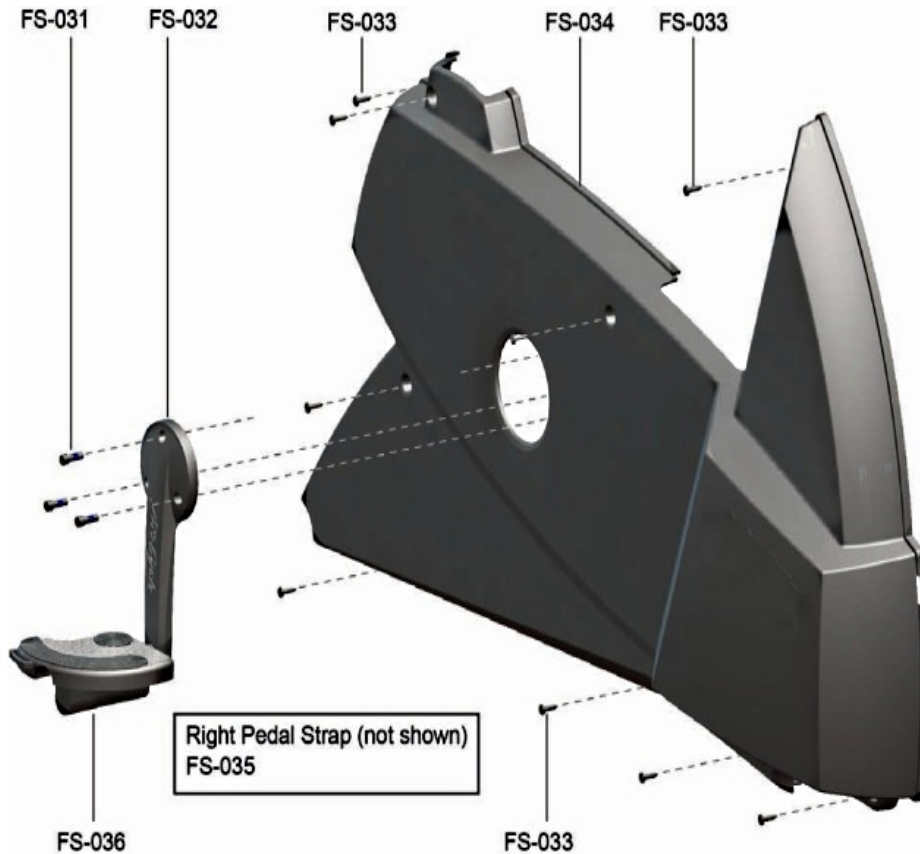
Ref #	Part Number	Qty	Description
FS-011	0017-00101-1755	4	Hardware: TORX Bolt 0.75"
FS-012	0017-00104-0464	4	Hardware: Flat Washer 0.734" OD
FS-013	0K47-01156-0001	1	End Cap
FS-014	AK63-00320-0600	1	CONSOLE SUPPORT WELD ASSY: RETRO
FS-015	AK63-00037-0002	1	Console Cable
FS-016	AK63-00069-0000	1	Heart Rate Cable
FS-017	0017-00101-1753	4	Hardware: Pan Screw 0.3125"
FS-018	0K63-01192-0608	1	COVER: HANDLEBAR-ARM; LT; 6 IN.; YLW-06XX
FS-019	0K63-01178-0002	1	Console Support Elbow 6"
FS-020	0K63-01192-0607	1	COVER: HANDLEBAR-ARM; RT; 6 IN.; YLW-06XX

## Frame System - Left Shroud and Crank Arm



Ref #	Part Number	Qty	Description
FS-021	0017-00101-1741	3	Hardware: Screw
FS-022	AK63-00263-0206	1	Pedal: Left
FS-023	0K39-01042-0008	1	Crank Arm: Left
FS-024	0K63-01238-0206	1	Pedal Strap: Left
FS-025	0017-00101-1855	3	Hardware: TORX Screw 0.875"
FS-026	AK63-00299-0001	1	SHROUD W/DECAL ASSY: MFG; LT. RETRO S/C
FS-027	0K63-01084-0000	1	Shroud Plug

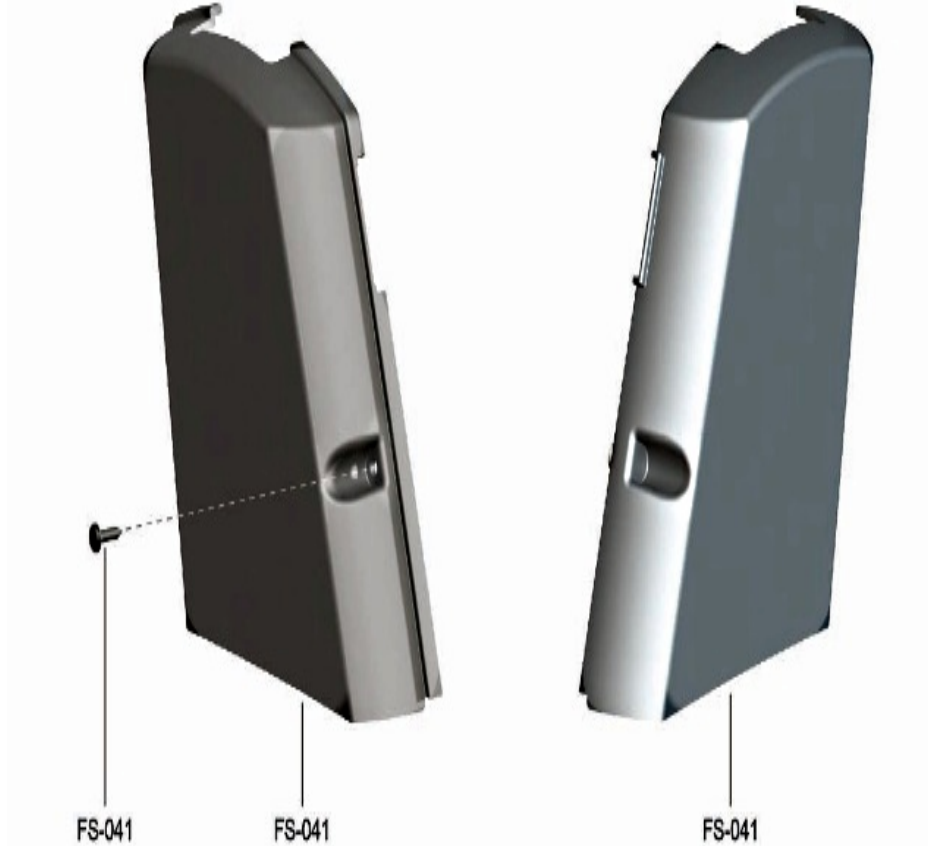
## Frame System - Right Shroud and Crank Arm



Ref #	Part Number	Qty	Description
FS-031	0017-00101-1855	3	Hardware: TORX Screw 0.875"
FS-032	0K39-01042-0007	1	Crank Arm: Right
FS-033	0017-00101-1741	8	Hardware: Screw
FS-034	AK63-00298-0001	1	SHROUD W/DECAL ASSY: MFG; RT. RETRO S/C
FS-035	0K63-01238-0205	1	STRAP: PEDAL; DLX; RT.; SHDW-02XX
FS-036	AK63-00263-0205	1	Pedal: Right

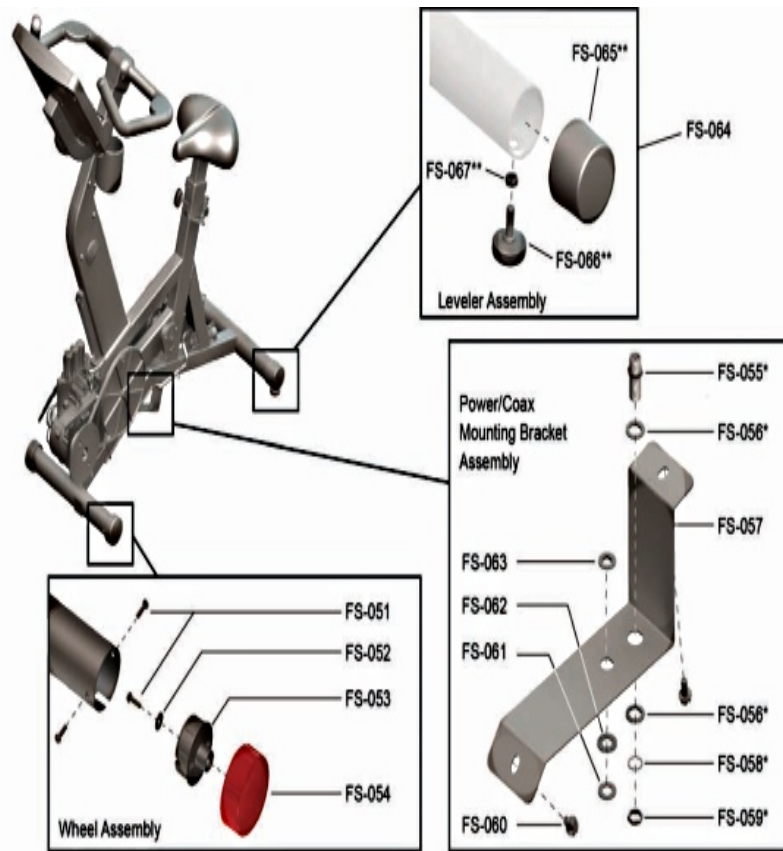
## Frame System - Seat Post Shrouds

---



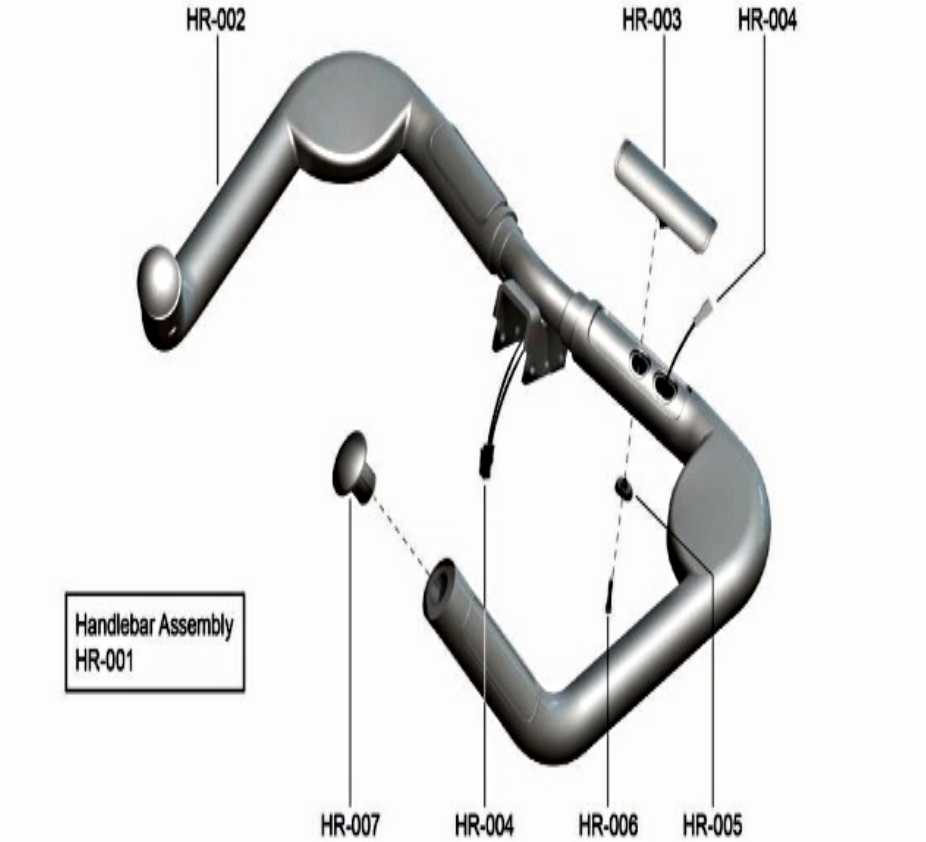
Ref #	Part Number	Qty	Description
FS-041	0017-00101-1741	1	Hardware: Screw
FS-042	0K63-01092-0512	1	SHROUD: SEAT-POST; LT.; RED-05XX
FS-043	0K63-01092-0511	1	SHROUD: SEAT-POST; RT.; RED-05XX

# Frame System - Wheel, Leveler and Power/Coax Input



Ref #	Part Number	Qty	Description
FS-051	0017-00101-1747	3	Hardware: Pan Screw 0.75"
FS-052	0K63-01041-0000	1	Hardware: Flat Washer
FS-053	0K63-01039-0000	1	Wheel Insert
FS-054	AK63-00016-0202	1	Wheel Assembly w/Bearing
FS-055	0017-00021-2846	1	F-Type Panel Connector
FS-057	0K63-01276-0002	1	Bracket: Power/Coax Input
FS-060	0017-00101-1193	2	Hardware: Screw 0.375"
FS-061	0017-00104-0503	1	Hardware: Flat Washer
FS-062	0017-00104-0094	1	Hardware: Flat Washer 0.625" OD
FS-063	0017-00104-0499	1	Hardware: D-shape Washer
FS-064	AK61-00035-0000	1	Leg Leveler
FS-065	0K63-01219-0202	1	End Cap
FS-066	0017-00009-0795	1	Leg Leveler
FS-067	0017-00103-0273	1	Hardware: Hex Nut 3/8" ID

## Heart Rate



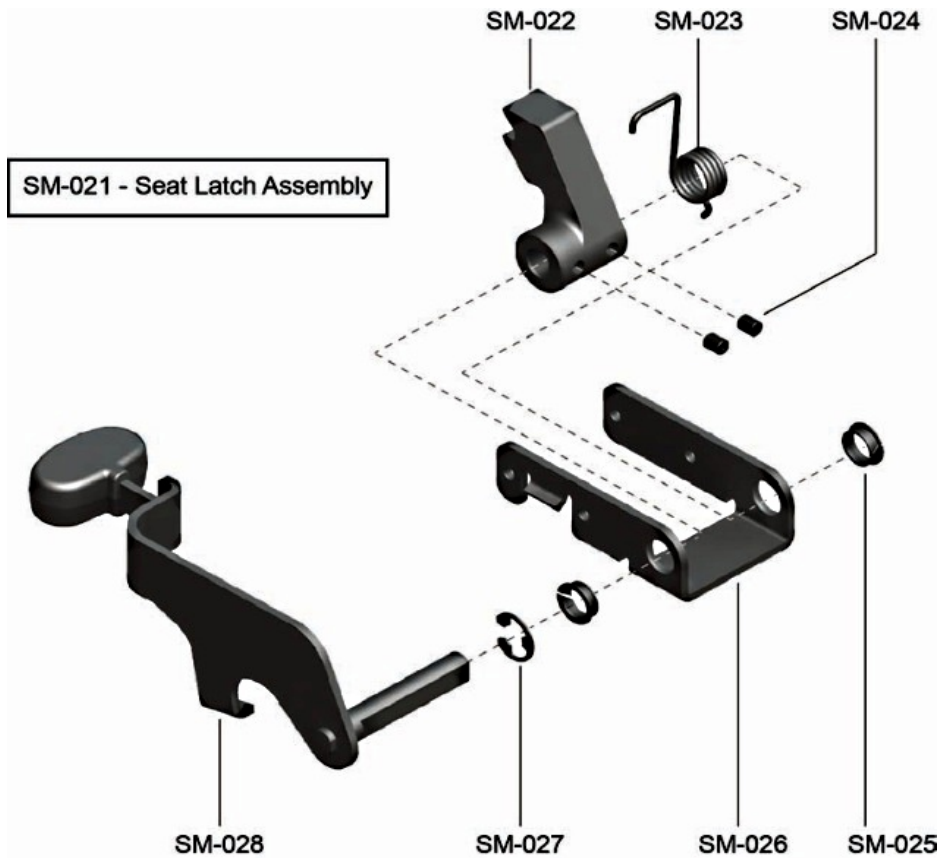
Ref #	Part Number	Qty	Description
HR-001	AK63-00091-0002	1	Handlebar-Assembly: Mfg. S/C-C
HR-002	AK63-00156-0202	1	Molder Grip Handlebar
HR-003	AK63-00014-0004	4	Heart Rate Electrode
HR-004	AK63-00028-0001	1	LifePulse Cable
HR-005	0K66-01141-0000	4	Insulator Plug
HR-006	0017-00101-1752	4	Hardware: Phillips Screw 1"
HR-007	0K63-01114-0002	2	Handlebar End Cap

**Miscellaneous**

---

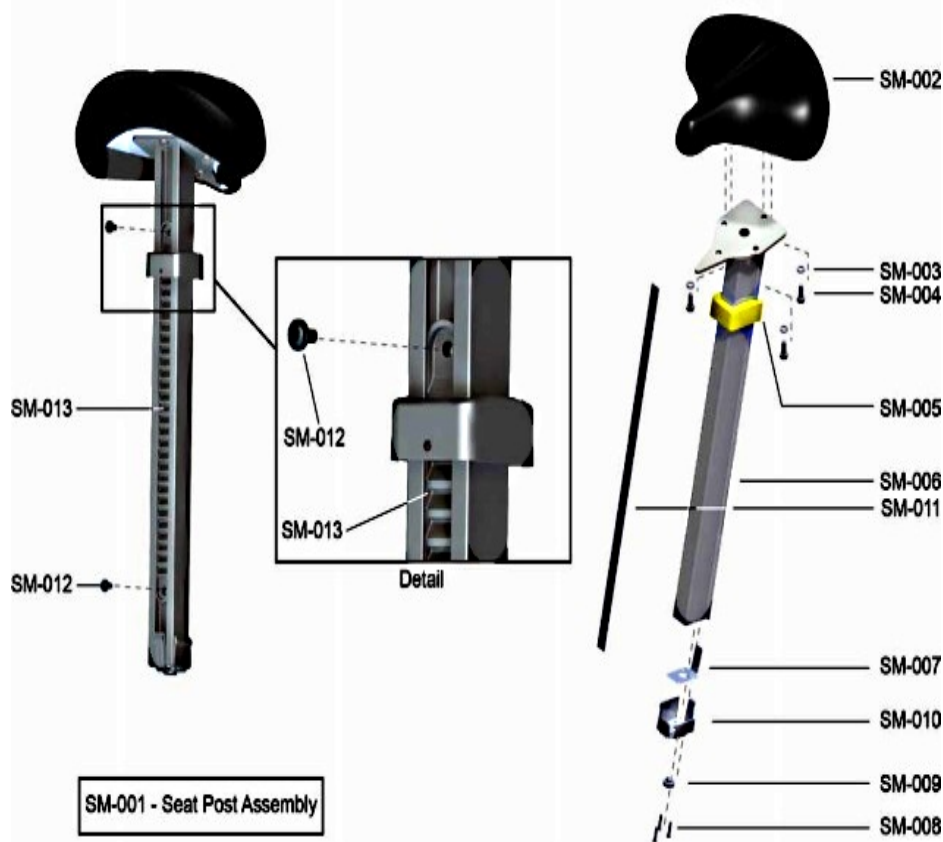
<b>Ref #</b>	<b>Part Number</b>	<b>Qty</b>	<b>Description</b>
-	0017-00008-0205	1	5 oz Bottle - Arctic Silver
-	0017-00008-0206	1	.33oz Pen - Arctic Silver
-	0017-00008-0204	1	Paint Spray Can - Arctic Silver
-	GK63-00002-0005	1	Power Option Kit: 120V
-	GK63-00002-0003	1	C-SAFE Network Kit
-	GK39-00002-0008	1	Hardware Bag

## Seat Mechanism - Seat Latch Assembly



Ref #	Part Number	Qty	Description
SM-021	AK63-00043-0202	1	Seat Latch Assembly
SM-022	0K63-01061-0000	1	Latch Rack
SM-023	0K63-01117-0000	1	Latch Spring
SM-024	0017-00101-0333	2	Hardware: Screw 0.3125"
SM-025	0017-00042-1129	2	Hardware: Nyliner Ring - 1/2" Diameter
SM-026	0K63-01064-0000	1	Latch Bracket
SM-027	0017-00100-0050	1	Hardware: E-Ring .5"
SM-028	AK63-00113-0001	1	Link Shaft Assembly

## Seat Mechanism - Seat Post Assembly



Ref #	Part Number	Qty	Description
SM-001	AK63-00232-0004	1	Seatpost-Extra Assembly: Mfg. Retro
SM-002	AK63-00229-0003	1	Deluxe Seat
SM-003	0017-00104-0064	4	Hardware: Lock Washer 0.586" OD
SM-004	0017-00101-1121	2	Hardware: Bolt 4.6875"
SM-005	0K63-01044-0000	1	Extrusion Guide Cap
SM-006	AK63-00099-0001	1	Seat Post Assembly
SM-007	0K63-01210-0000	1	Spring Support Bracket
SM-008	0017-00101-1614	3	Hardware: Screw 0.625"
SM-009	0017-00042-1131	1	Bumper
SM-010	0K63-01045-0000	1	Guide Base
SM-011	0K63-01310-0000	1	Seat Post Decal
SM-012	0017-00101-1750	2	Hardware: Screw 0.75"
SM-013	0K63-01049-0001	1	Seat Adjustment Rack



Ref #	Part Number	Qty	Description
CBL-001	118E-00001-0140	1	Reed Switch SPDT
CBL-002	118E-00001-0266	1	FFC 16 Pin 1.25mm 7 in. Cable
CBL-004	AK32-00020-0001	1	Coax Cable: 90"
CBL-005	AK32-00078-0001	1	Power Extension Cable: 120"
CBL-006	AK32-00124-0002	1	Headphone Jack Cable - 3.5 mm
CBL-010	AK63-00028-0001	1	LifePulse Cable
CBL-011	AK63-00029-0001	1	Power Control Cable Assembly
CBL-012	AK63-00036-0000	1	Cable-Assembly: DC-Power C
CBL-013	AK63-00037-0002	1	Console Cable
CBL-014	AK63-00069-0000	1	Heart Rate Cable
CBL-015	AK69-00157-0000	1	Polar Cable
CBL-016	AK86-00087-0200	1	OVERMOLDED IPOD CABLE; NON TREAD; INTEGRITY take from REP depot
CBL-017	AK86-00002-0000	1	TV Control: Non-Tread
CBL-018	AK86-00003-0000	1	iPod Console Cable: Non-Tread

