

Integrity CLSL Summit Trainer Base

CLSL-ALLXX-01

Parts Manual

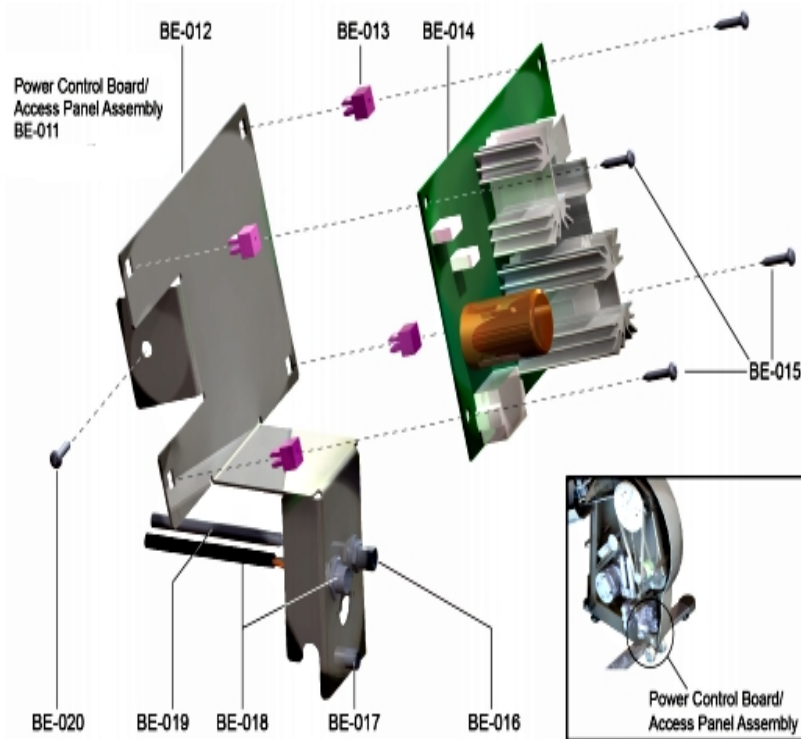
1/5/2019 12:33:41 PM



Table of Contents

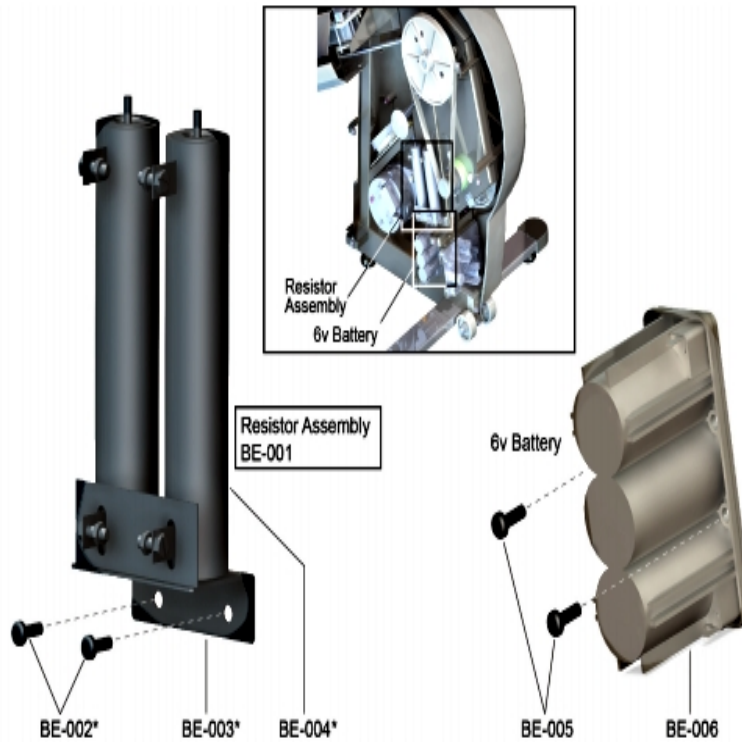
Base Electronics - Power Control Board/Access Panel Assembly.....	3
Base Electronics - Resistor and 6V Battery.....	4
Console Assembly.....	5
Drive System - Alternator.....	7
Drive System - Clutch Pulley and Shaft Assemblies.....	8
Drive System - Clutch Shaft and Sprockets.....	9
Drive System - Crossover Pull Assembly.....	10
Drive System - Flexonic Belts and Tensioner Bracket.....	11
Drive System - Timing Belts and Springs.....	12
Frame System - Access Panel, Wheels, and Leg Levelers.....	13
Frame System - Console Support Assembly.....	14
Frame System - Deadshaft and Bullhorn Covers.....	15
Frame System - Mono-Column, Handrail, and Vertical Uprights.....	16
Frame System - Shrouds, Boots.....	17
Frame System - User Arms and Hardware.....	18
Heart Rate.....	19
Linkage System - Rocker Arm and Control Link Assembly.....	20
Miscellaneous.....	21
Stepping System - Lower Track Cover and Hardware.....	22
Stepping System - Pedals, Truck and Roller Assembly.....	23
Stepping System - Pedel Track Cover and Step Assembly.....	24
Stepping System - Rear Step Assembly.....	25
Wiring.....	26

Base Electronics - Power Control Board/Access Panel Assembly



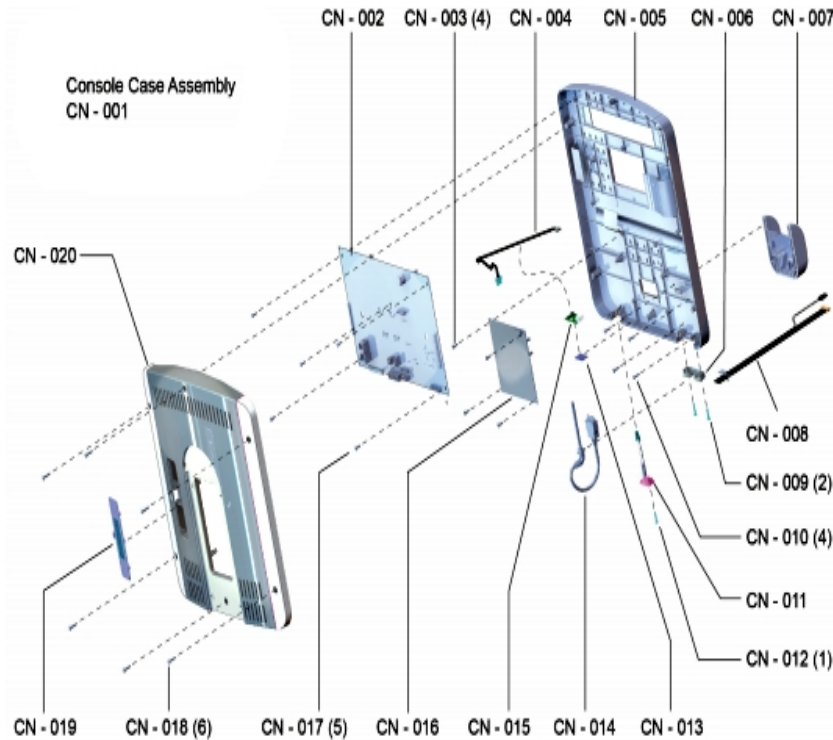
Ref #	Part Number	Qty	Description
BE-011	AK68-00107-0002	1	PCB: Access Panel Assembly
BE-012	0K68-01031-0000	1	Access Panel Bracket
BE-013	0017-00042-0821	4	Hardware: Plastic Grommet
BE-014	B084-92218-0000	1	PCB Circuit Board
BE-015, BE-020	0017-00101-1838	5	Hardware: Mounting Screw 19 MM
BE-016	0017-00021-2846	1	F-Type Panel Connector
BE-017	AK32-00078-0001	1	Power Extension Cable: 120"
BE-018	AK47-00063-0002	1	DC Power Cable
BE-019	AK32-00020-0002	1	Coax Cable: 120"

Base Electronics - Resistor and 6V Battery



Ref #	Part Number	Qty	Description
BE-001	AK68-00108-0000	1	Resistor Assembly
BE-002, BE-005	0017-00101-1797	4	Hardware: Mounting Screw 16 MM
BE-004	100E-00002-0091	2	Resistor .75 OHM 240 Watt
BE-006	0017-00003-0685	1	6V Battery

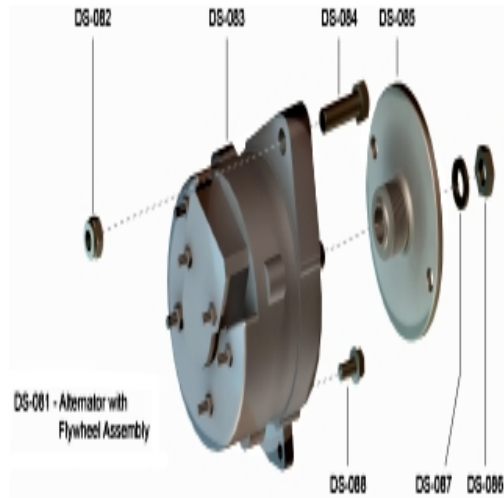
Console Assembly



Ref #	Part Number	Qty	Description
CN-001	CLEDL-FRNMX-02N	1	NC INTEGRITY SUMMIT TRAINER CONSOLE FRN/MET
CN-001	CLEDL-RUSMX-02N	1	NC INTEGRITY SUMMIT TRAINER CONSOLE RUS/MET
CN-001	CLEDL-ENGEX-01N	1	Console: English/Imperial
CN-001	CLEDL-ENGEX-01N	1	Console: English/Imperial
CN-001	CLEDL-ENGEX-01N	1	Console: English/Imperial
CN-001	CLEDL-ENGEX-01N	1	Console: English/Imperial
CN-001	CLEDL-GERMX-02N	1	NC INTEGRITY SUMMIT TRAINER CONSOLE GER/MET
CN-001	CLEDL-ITLMX-02N	1	NC INTEGRITY SUMMIT TRAINER CONSOLE ITL/MET
CN-001	CLEDL-DUTMX-02N	1	NC INTEGRITY SUMMIT TRAINER CONSOLE DUT/MET
CN-001	CLEDL-ENGMX-01N	1	Console: English/Metric
CN-001	CLEDL-SPNMX-01N	1	Console: Spanish/Metric
CN-002	A084-92367-0000	1	PCB: Non-Tread
CN-003,CN-017	0017-00101-1650	9	Hardware: Phillips Pan Screw 0.375"
CN-004	AK69-00157-0000	1	Polar Cable
CN-005	AK86-00076-0000	1	Bezel Switch and Overlay: Russian/Metric
CN-005	AK86-00073-0000	1	Bezel Switch and Overlay: Spanish/Metric
CN-005	AK86-00072-0000	1	Bezel Switch and Overlay: French/Metric
CN-005	AK86-00074-0000	1	Bezel Switch and Overlay: Italian/Metric
CN-005	AK86-00070-0000	1	Bezel Switch and Overlay: English/Imperial
CN-005	AK86-00079-0002	1	Bezel Switch and Overlay: English/Metric
CN-005	AK86-00071-0000	1	Bezel Switch and Overlay: German/Metric

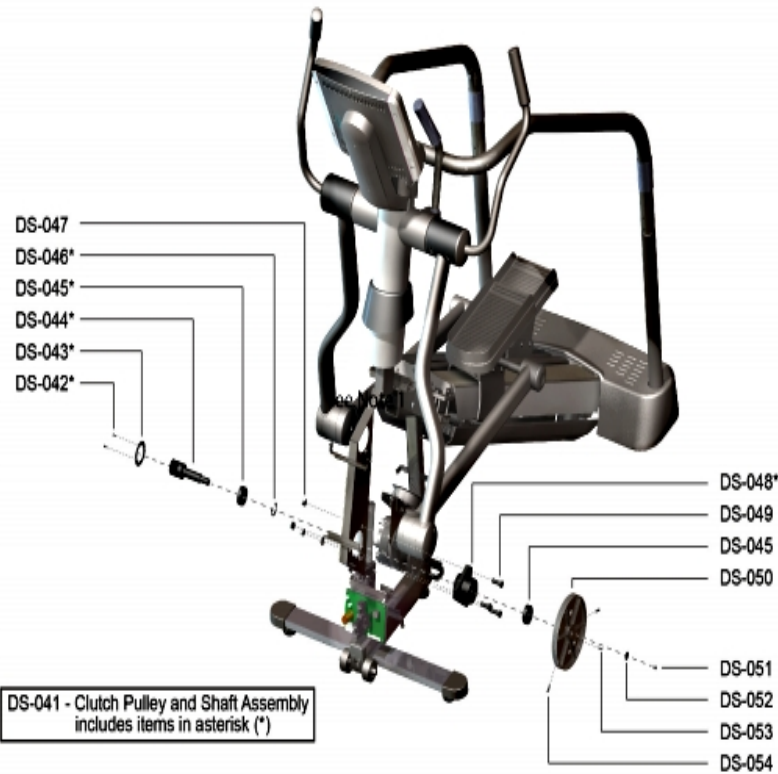
Ref #	Part Number	Qty	Description
CN-005	AK86-00075-0000	1	Bezel Switch and Overlay: Dutch/Metric
CN-006	0K86-01004-0200	1	iPod Cable Bracket
CN-007	0K86-01003-0200	1	iPod Holder
CN-008	AK86-00003-0000	1	iPod Console Cable: Non-Tread
CN-009,CN-012	0017-00101-1811	3	Hardware: Phillips Pan Screw 0.625"
CN-010	3223501	4	Hardware: Holder Mounting Screw
CN-011	AK86-00025-0201	1	Headphone Jack
CN-013	0K39-01044-0001	1	Double-sided Tape
CN-014	AK86-00087-0200	1	OVERMOLDED IPOD CABLE; NON TREAD; INTEGRITY take from REP depot
CN-015	118E-00001-0244	1	Heart Rate Receiver
CN-016	B084-92368-0000	1	Lower PCB
CN-018	0017-00101-1242	6	Hardware: Phillips Pan Screw 0.75"
CN-019	0K62-01026-0202	1	Battery Door
CN-020	AK86-00024-0201	1	Console Case Assembly
-	0K62-01175-0001	1	Decal

Drive System - Alternator



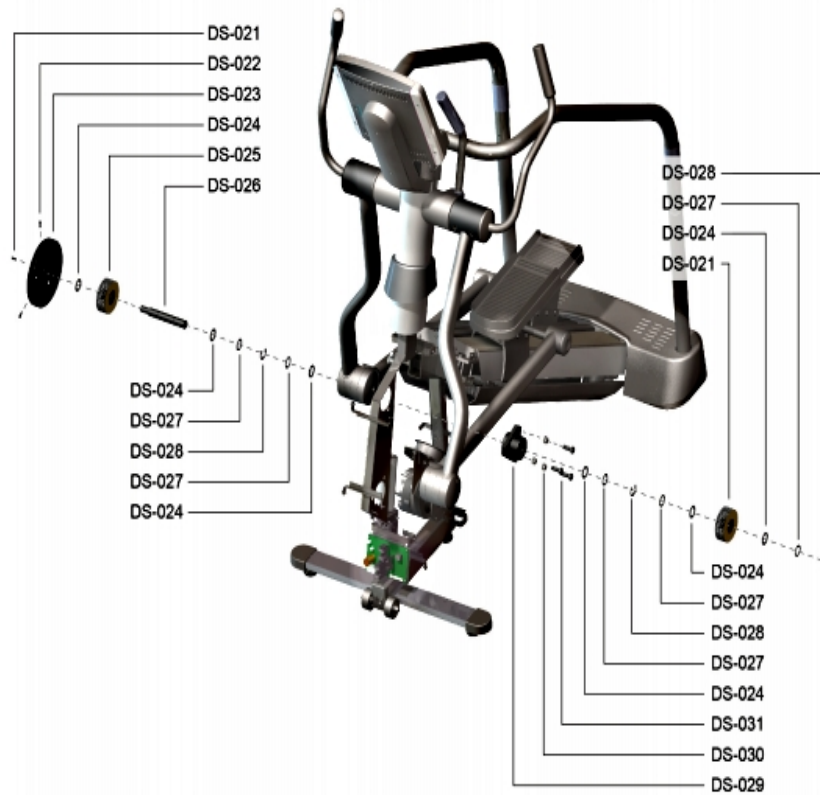
Ref #	Part Number	Qty	Description
DS-081	AK68-00213-0001	1	Alternator w/Flywheel
DS-082	0017-00103-0332	1	Hardware: Mounting Nut
DS-083	0017-00009-0841	1	Alternator
DS-084	0017-00101-1867	1	Hardware: Mounting Bolt 45 MM
DS-088	0017-00101-0986	1	Hardware: Bolt 0.75"
DS-089	0017-00009-0895	1	Alternator Brush Kit

Drive System - Clutch Pulley and Shaft Assemblies



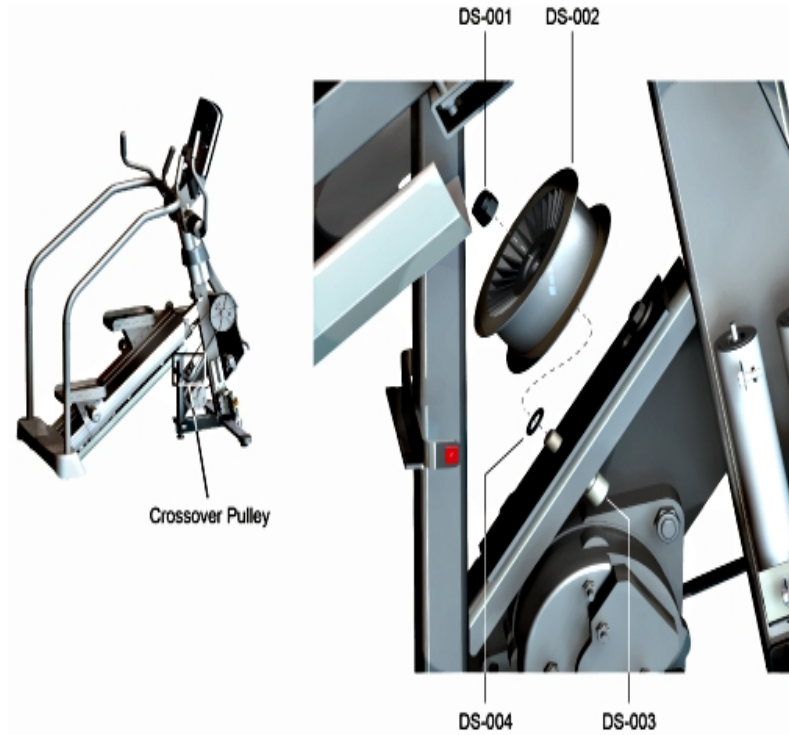
Ref #	Part Number	Qty	Description
DS-041	AK68-00105-0000	1	Clutch Pulley and Shaft Assembly
DS-047	0017-00103-0332	3	Hardware: Mounting Nut
DS-049	0017-00101-1909	3	Hardware: Hex Bolt 35 MM
DS-050	AK68-00212-0000	1	Pulley w/Magnet
DS-051	0017-00101-1836	1	Hardware: Screw 10 MM
DS-052	0017-00104-0465	1	Hardware: Flat Washer 23MM OD
DS-053	0K53-01183-0000	1	Hex key
DS-054	0017-00101-2015	2	Hardware: Pulley Set Screw 15 MM

Drive System - Clutch Shaft and Sprockets



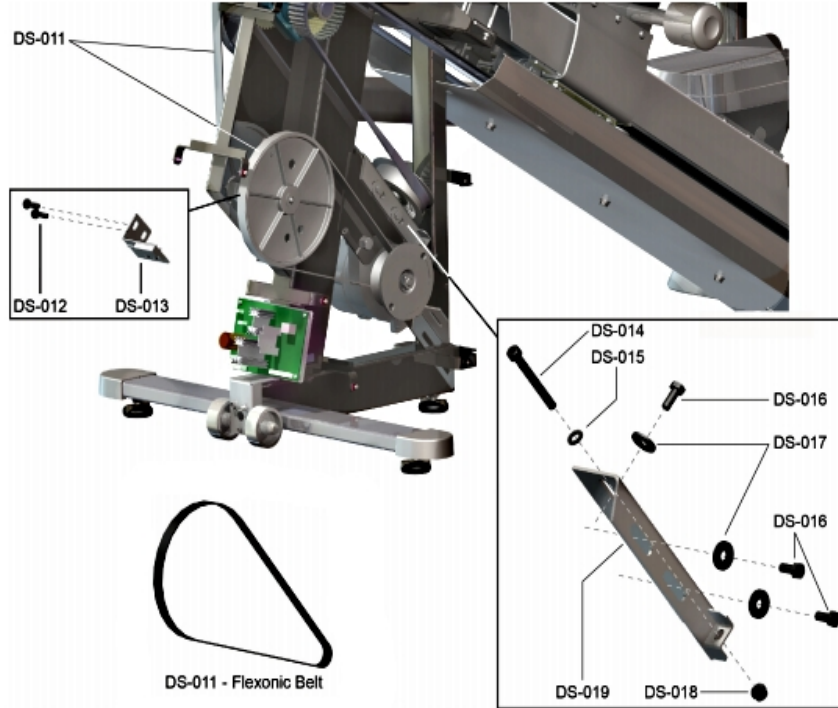
Ref #	Part Number	Qty	Description
DS-021	0K53-01183-0000	1	Hex key
DS-022	0017-00101-2015	2	Hardware: Pulley Set Screw 15 MM
DS-023	0K35-01186-0007	1	Poly-V Pulley
DS-024	0K47-01104-0000	6	Hardware: Thrust Washer
DS-025	AK68-00102-0001	1	Users Right Clutch Sprocket
DS-026	0K47-01024-0000	1	Clutch Shaft
DS-027	0K47-01105-0000	5	Hardware: Hardened Thrust Washer
DS-028	0017-00100-0107	3	Hardware: E-Ring 1"
DS-029	AK68-00157-0000	1	Bearing House
DS-030	0017-00103-0332	3	Hardware: Mounting Nut
DS-031	0017-00101-1909	3	Hardware: Hex Bolt 35 MM

Drive System - Crossover Pull Assembly



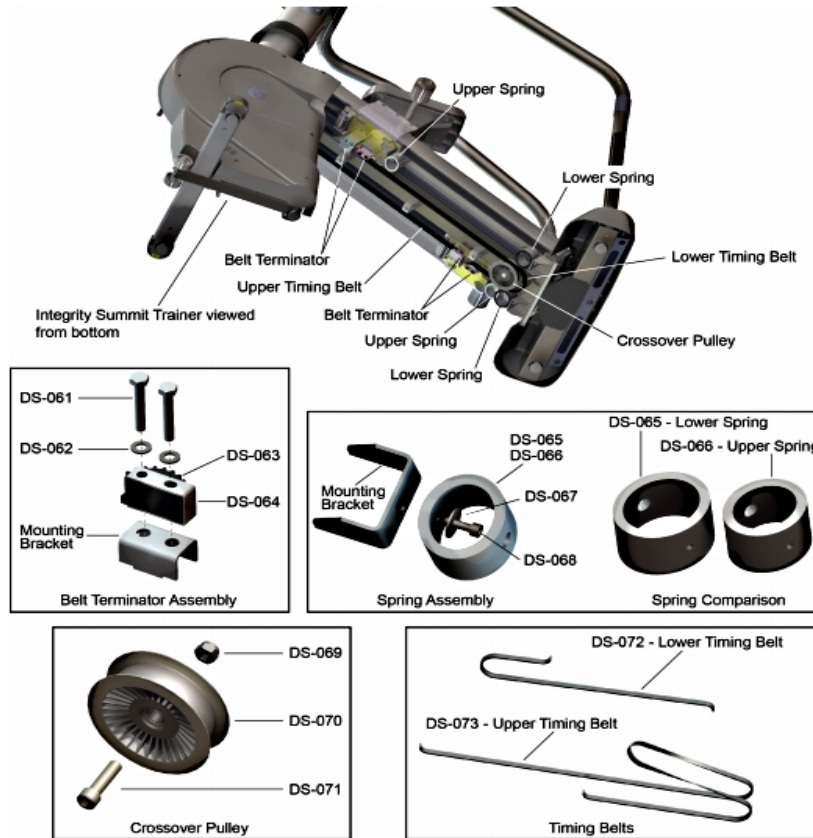
Ref #	Part Number	Qty	Description
DS-001	0017-00103-0332	1	Hardware: Mounting Nut
DS-002	AK68-00104-0000	1	Crossover Pulley
DS-003	0017-00104-0044	1	Hardware: Washer 0.75" OD
DS-004	0017-00101-1911	1	Hardware: Hex Bolt 45 MM

Drive System - Flexonic Belts and Tensioner Bracket



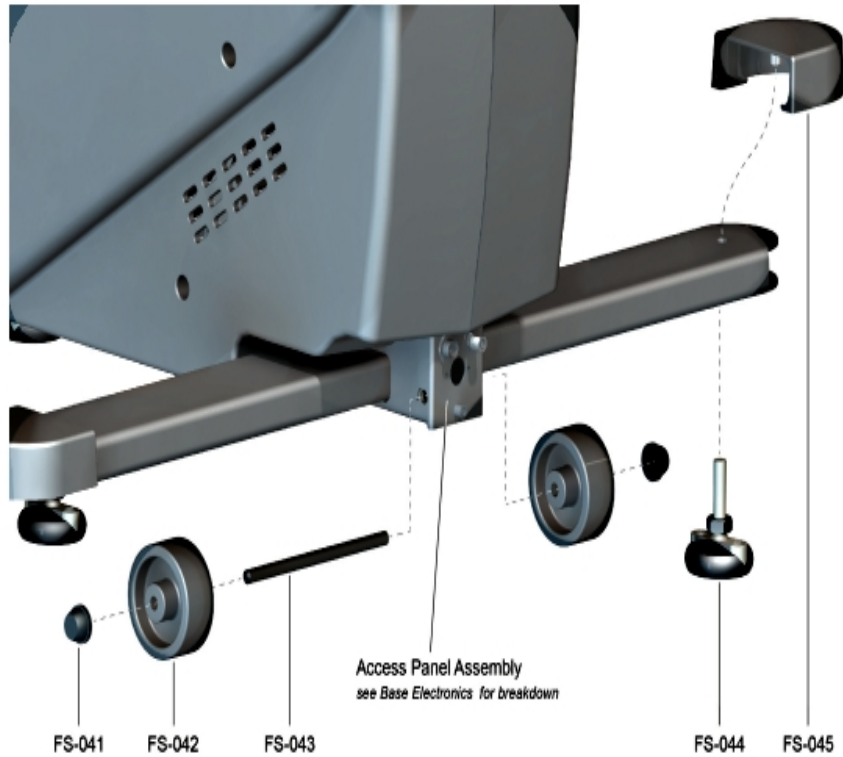
Ref #	Part Number	Qty	Description
DS-011	0K62-01134-0000	1	Flexonic Belt
DS-012	0017-00101-1797	2	Hardware: Mounting Screw 16 MM
DS-013	AK68-00159-0000	1	Reed Switch
DS-014	0017-00101-1905	1	Hardware: Bolt 70 MM
DS-015	0017-00104-0469	1	Hardware: Flat Washer 16MM OD
DS-016	0017-00101-1906	3	Hardware: Hex Screw 20 MM
DS-017	0017-00104-0479	3	Hardware: Flat Washer 25.4MM OD
DS-018	0017-00103-0333	1	Hardware: Hex Nut
DS-019	AK68-00130-0000	1	Tensioner Bracket

Drive System - Timing Belts and Springs



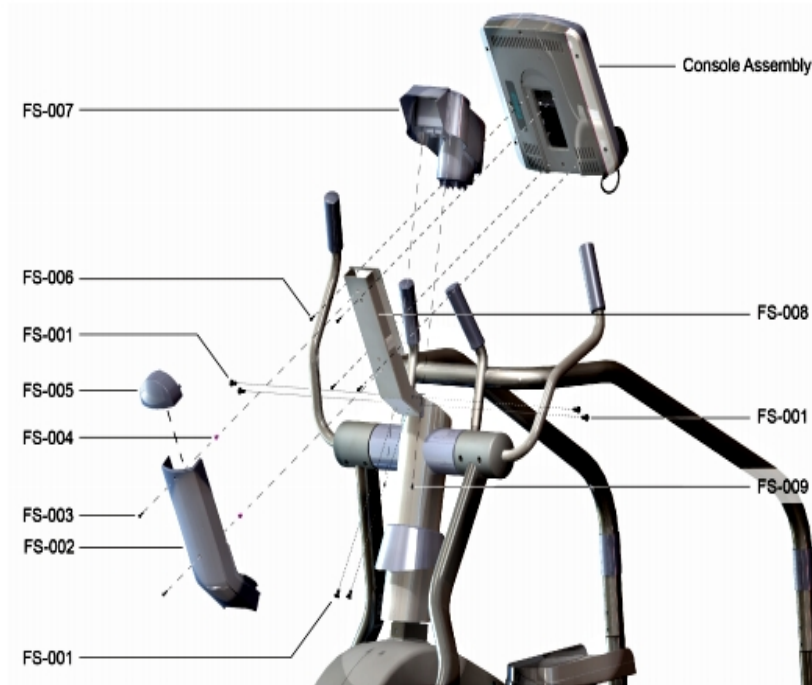
Ref #	Part Number	Qty	Description
DS-061	0017-00101-2037	4	Hardware: SCR: M8 X 1.25 X 50 HEX
DS-062	0017-00104-0469	4	Hardware: Flat Washer 16MM OD
DS-063	0K35-01105-0000	4	Hardware: Belt Terminator
DS-064	0K35-01142-0000	4	Hardware: Bracket
DS-065	0K68-01081-0000	2	Lower Spring
DS-066	0K68-01051-0000	2	Upper Spring
DS-067	0017-00104-0465	2	Hardware: Flat Washer 23MM OD
DS-068	0017-00101-1902	2	Hardware: Screw 20 MM
DS-069	0017-00103-0332	1	Hardware: Mounting Nut
DS-070	AK68-00104-0000	1	Crossover Pulley
DS-071	0017-00101-1911	1	Hardware: Hex Bolt 45 MM
DS-072	AK68-00211-0000	1	Timing Belt: Lower
DS-073	AK68-00210-0000	1	Timing Belt: Upper

Frame System - Access Panel, Wheels, and Leg Levelers



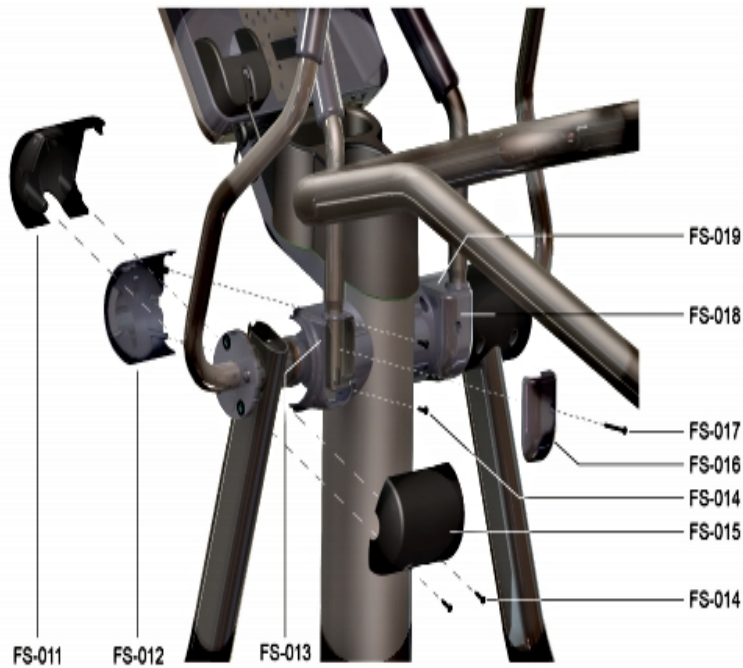
Ref #	Part Number	Qty	Description
FS-041	0017-00042-1066	2	Push-on cap
FS-042	0017-00042-0674	2	Wheel
FS-043	0K68-01045-0000	1	Wheel Shaft
FS-044	0K68-01047-0000	5	Leg Leveler
FS-045	0K68-01130-0200	2	CAP; STABILIZER; SHADOW GREY

Frame System - Console Support Assembly



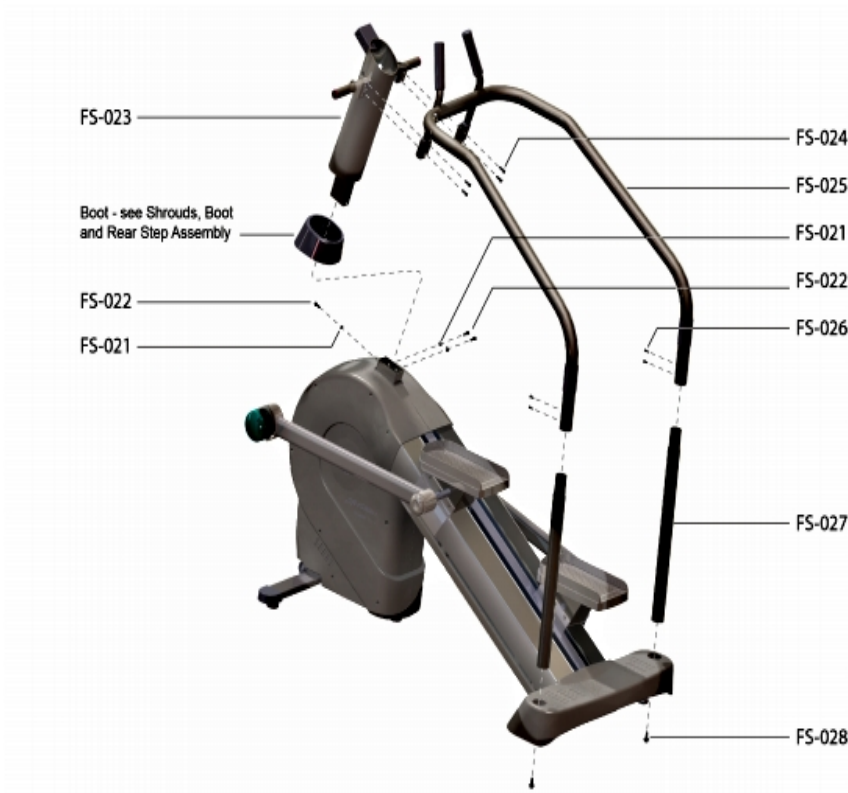
Ref #	Part Number	Qty	Description
FS-001	0017-00101-1791	6	Hardware: TORX Screw 19 MM
FS-002	0K62-01023-0402	1	Console Support Cover
FS-003	0017-00101-1796	2	Hardware: Mounting Screw 19 MM
FS-004	0017-00042-0754	2	Hardware: Grommet
FS-005	0K62-01030-0202	1	Console Support Cap
FS-006	0017-00101-1744	4	Hardware: Phillips Pan Screw
FS-007	0K62-01022-0202	1	Accessory Tray
FS-008	AK62-00123-0001	1	Console Support Assmby
FS-009	0017-00101-1846	2	Hardware: Phillips Pan Screw 10 MM

Frame System - Deadshaft and Bullhorn Covers



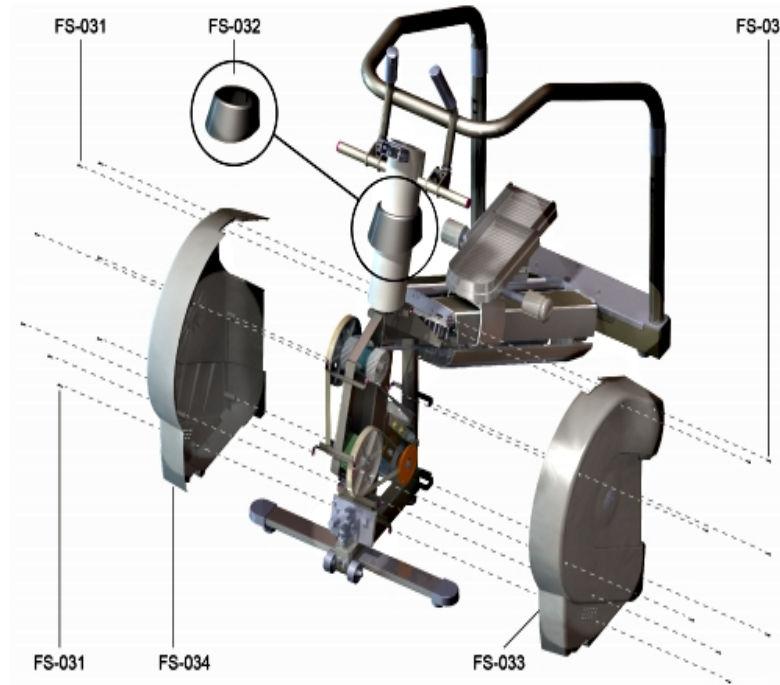
Ref #	Part Number	Qty	Description
FS-011	0K62-01012-0201	2	Front Outside Deadshaft Cover
FS-012	0K62-01009-0201	2	Inside Deadshaft Cover: Front
FS-013	0K62-01011-0201	1	Rear Inside Deadshaft Cover: Left
FS-014	0017-00101-1796	4	Hardware: Mounting Screw 19 MM
FS-015	0K62-01013-0201	2	Rear Outside Deadshaft Cover
FS-016	0K62-01008-0202	1	Bullhorn Cover: Left
FS-017	0017-00101-1854	2	Hardware: Bullhorn Cover Screw 44MM
FS-018	0K62-01007-0202	1	Bullhorn Cover: Right
FS-019	0K62-01010-0201	1	Rear Inside Deadshaft Cover: Right

Frame System - Mono-Column, Handrail, and Vertical Uprights



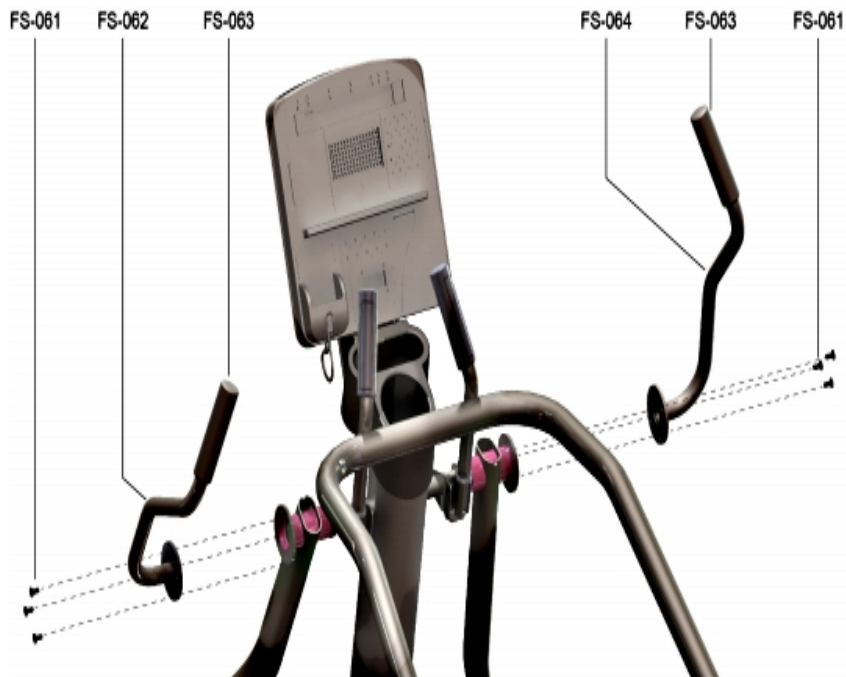
Ref #	Part Number	Qty	Description
FS-021	0017-00104-0469	3	Hardware: Flat Washer 16MM OD
FS-022	0017-00101-1881	3	Hardware: Screw 20 MM
FS-023	GK68-00002-0002	1	Mono-column w/Inserts
FS-024	0017-00101-1805	4	Hardware: TORX Screw 25 MM
FS-025	AK68-00206-0001	1	Handrail
FS-026	0017-00101-1760	4	Hardware: TORX Cap Screw 0.625"
FS-027	0K68-01032-0000	2	Vertical Upright Tube
FS-028	0017-00101-1635	2	Hardware: Hex Bolt 1"

Frame System - Shrouds, Boots



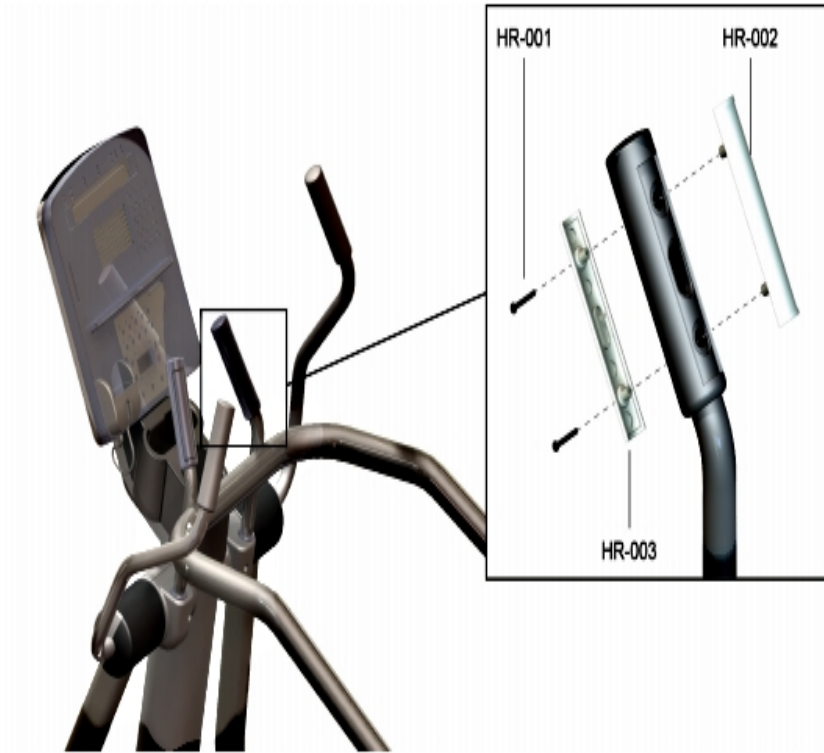
Ref #	Part Number	Qty	Description
FS-031	0017-00101-1796	16	Hardware: Mounting Screw 19 MM
FS-032	0K68-01061-0201	1	Mono-Column Boot
FS-033	AK68-00176-0003	1	Shroud: Left
FS-034	AK68-00176-0002	1	Shroud: Right

Frame System - User Arms and Hardware



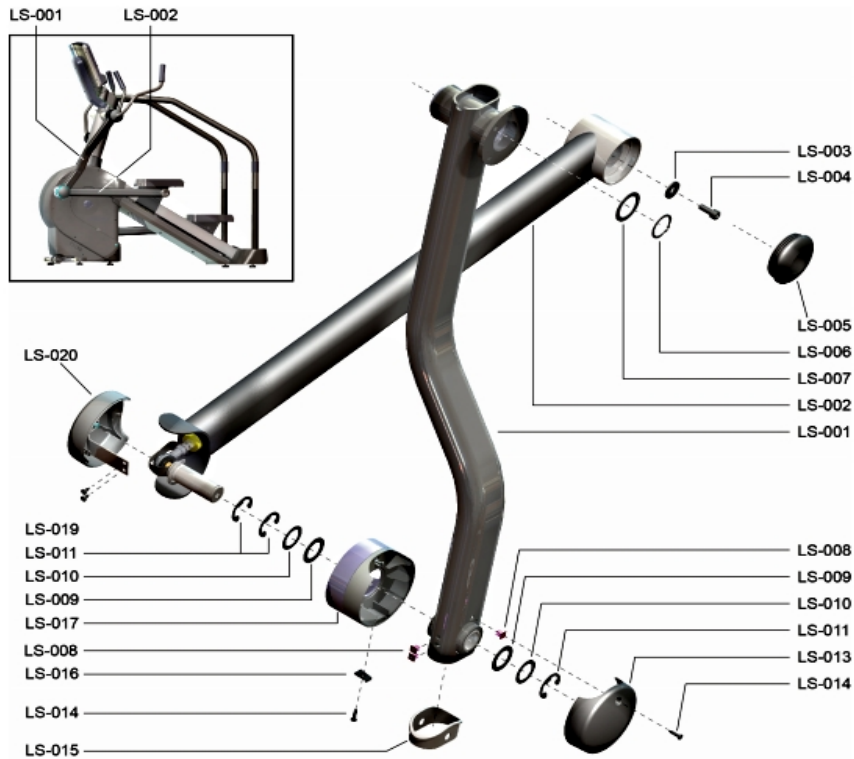
Ref #	Part Number	Qty	Description
FS-061	0017-00101-1791	6	Hardware: TORX Screw 19 MM
FS-062	AK68-00143-0004	1	User Arm w/Grip: Left
FS-063	AK68-00143-0003	1	User Arm w/Grip: Right
FS-064	0K62-01138-0201	1	Handle Grip

Heart Rate



Ref #	Part Number	Qty	Description
HR-001	0017-00101-1462	2	Hardware: Electrode Screw 1"
HR-002	AK60-00079-0203	1	Top Electrode
HR-003	AK60-00080-0203	1	Bottom Electrode

Linkage System - Rocker Arm and Control Link Assembly

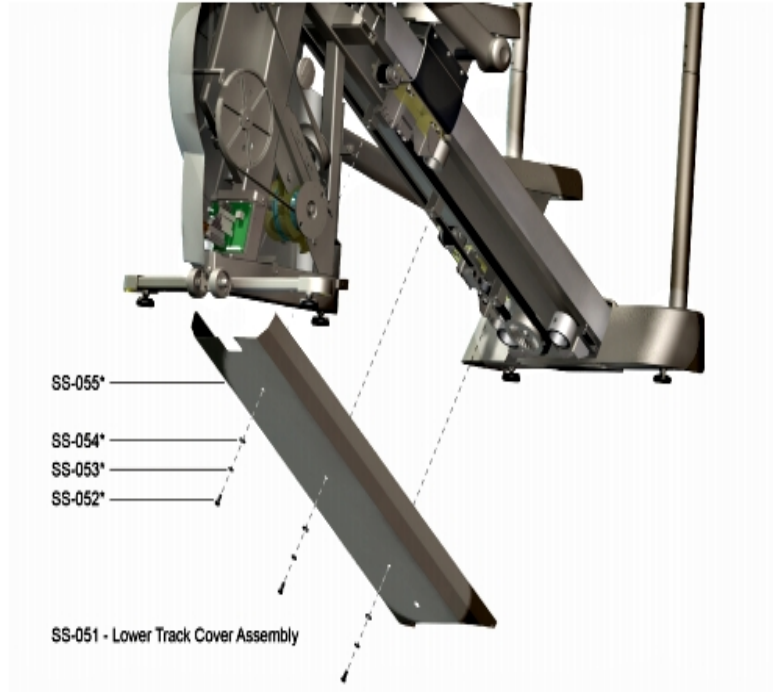


Ref #	Part Number	Qty	Description
LS-001	AK68-00125-0002	1	Rocker Arm Assembly
LS-002	AK68-00147-0001	1	Control Link Assembly
LS-003	0017-00104-0479	1	Hardware: Flat Washer 25.4MM OD
LS-004	0017-00101-1881	1	Hardware: Screw 20 MM
LS-005	0K61-01283-0002	1	Cap
LS-006	0017-00100-0178	1	Hardware: Retaining Ring 1.25"
LS-007	0017-00104-0418	1	Hardware: Flat Washer 1.75" OD
LS-008	0017-00042-0754	1	Hardware: Grommet
LS-009	0K47-01104-0000	2	Hardware: Thrust Washer
LS-010	0K47-01105-0000	2	Hardware: Hardened Thrust Washer
LS-011	0017-00100-0107	2	Hardware: E-Ring 1"
LS-012	GK68-00002-0004	1	Outer Cover Kit
LS-014	0017-00101-1796	2	Hardware: Mounting Screw 19 MM
LS-017	AK68-00154-0204	1	Clevis Cover Assembly: Left
LS-018	AK68-00154-0203	1	Clevis Cover Assembly: Right
LS-019	0017-00101-1846	2	Hardware: Phillips Pan Screw 10 MM
LS-020	AK68-00207-0001	1	Inner Link Cover w/Bracket

Miscellaneous

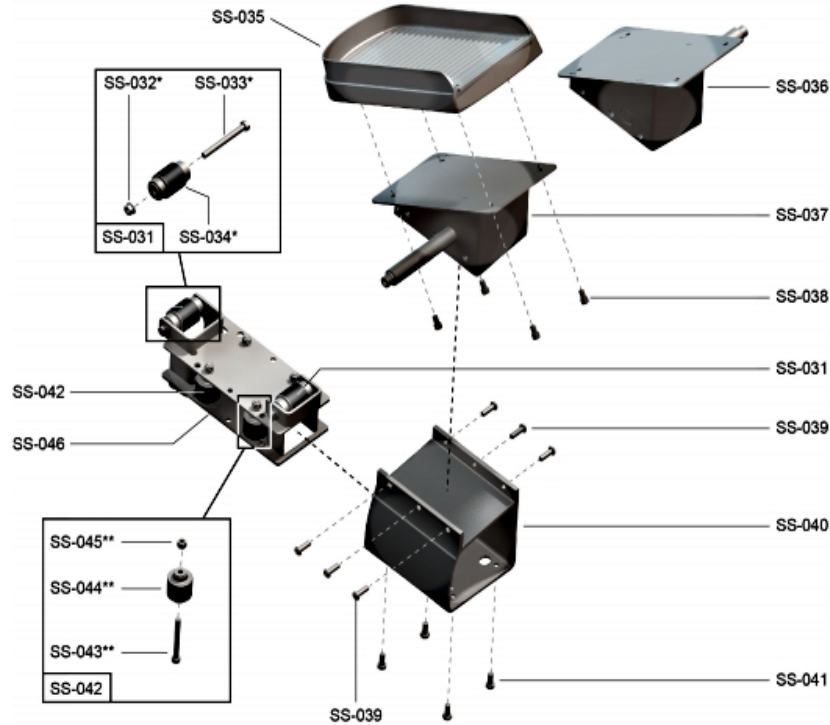
Ref #	Part Number	Qty	Description
-	0017-00008-0205	1	5 oz Bottle - Arctic Silver
-	0017-00008-0204	1	Paint Spray Can - Arctic Silver
-	0017-00008-0211	1	Paint: Shadow-Gray Touch Up: .6 OZ Bottle
-	0017-00008-0206	1	.33oz Pen - Arctic Silver
-	0017-00008-0210	1	Paint: Shadow-Gray Touch Up: .6 OZ Bottle
-	AK68-00198-0001	1	Hardware Bag

Stepping System - Lower Track Cover and Hardware



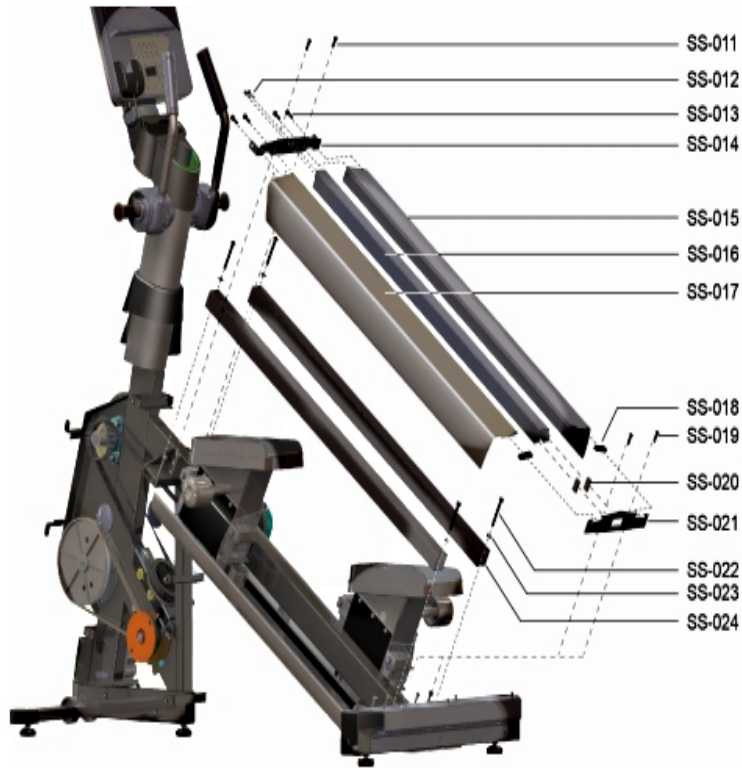
Ref #	Part Number	Qty	Description
SS-051	AK68-00220-0000	1	Lower Track Cover Assembly
SS-052	0017-00101-1906	3	Hardware: Hex Screw 20 MM
SS-053	0017-00104-0479	1	Hardware: Flat Washer 25.4MM OD
SS-054	0017-00104-0485	3	Hardware: Flat Washer

Stepping System - Pedals, Truck and Roller Assembly



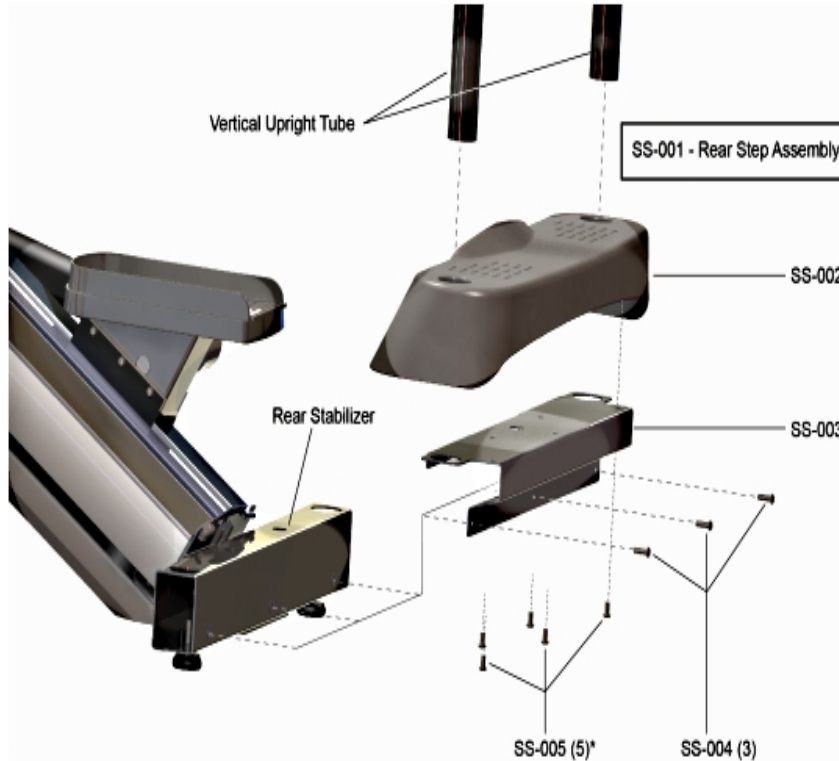
Ref #	Part Number	Qty	Description
SS-031	AK47-00071-0000	3	Mono Roller and Shaft Assembly
SS-032	0017-00103-0324	2	Hardware: Thin Lock Nut 3/8" ID
SS-033	0017-00101-1730	2	Hardware: Mono-roller Hex Bolt 3.5"
SS-035	0K53-01027-0205	2	Pedal: Right or Left
SS-036	AK68-00129-0000	1	Pedal Adaptor: Right
SS-037	AK68-00127-0000	1	Pedal Adaptor: Left
SS-038	0017-00101-1912	4	Hardware: Hex Bolt 0.5"
SS-039	0017-00101-1903	6	Hardware: Hex Screw 25 MM
SS-041	0017-00101-1906	4	Hardware: Hex Screw 20 MM
SS-042	AK68-00217-0000	4	Mini-mono and Shaft Assembly
SS-045	0017-00103-0333	2	Hardware: Hex Nut
SS-046	AK68-00110-0000	1	Truck and Roller Assembly

Stepping System - Pedal Track Cover and Step Assembly



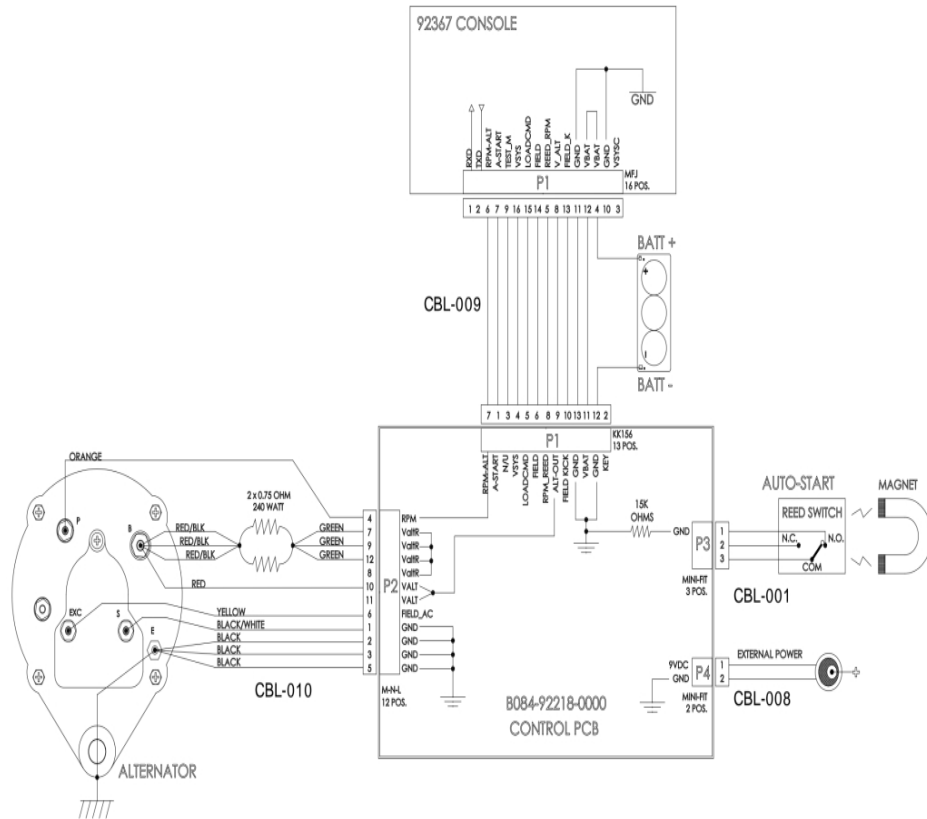
Ref #	Part Number	Qty	Description
SS-011,SS-019	0017-00101-1903	4	Hardware: Hex Screw 25 MM
SS-012	0017-00101-1902	2	Hardware: Screw 20 MM
SS-013	0017-00101-1881	4	Hardware: Screw 20 MM
SS-014	0K68-01087-0000	1	Upper Mounting Bracket for Pedal Track Covers
SS-015	AK68-00166-0000	1	Pedal Track Cover: Right
SS-016	AK68-00167-0000	2	Center Cover
SS-017	AK68-00165-0000	1	Pedal Track Cover: Left
SS-018	0K68-01106-0000	2	Grommet: Trim Lok: 2.00
SS-020	0K68-01105-0000	2	Grommet: Trim Lok: 1.250
SS-021	0K68-01088-0000	1	Lower Mounting Bracket for Pedal Track Covers
SS-022	0017-00101-1905	4	Hardware: Bolt 70 MM
SS-023	0017-00104-0469	4	Hardware: Flat Washer 16MM OD
SS-024	0K68-01003-0000	2	Track

Stepping System - Rear Step Assembly



Ref #	Part Number	Qty	Description
SS-001	AK68-00136-0001	1	Rear Step Assembly
SS-002	0K68-01020-0201	1	Rear Step
SS-004	0017-00101-1903	3	Hardware: Hex Screw 25 MM
SS-005	0017-00101-1759	5	Hardware: Phillips Screw 0.625"

Wiring



Ref #	Part Number	Qty	Description
CBL-001	118E-00001-0140	1	Reed Switch SPDT
CBL-002	118E-00001-0266	1	FFC 16 Pin 1.25mm 7 in. Cable
CBL-003	AK32-00020-0002	1	Coax Cable: 120"
CBL-004	AK32-00078-0001	1	Power Extension Cable: 120"
CBL-005	AK32-00124-0002	1	Headphone Jack Cable - 3.5 mm
CBL-006	AK47-00028-0000	1	Lifepulse Cable
CBL-007	AK47-00029-0000	1	Lifepulse Cable
CBL-008	AK47-00063-0002	1	DC Power Cable
CBL-009	AK62-00093-0001	1	Console: Cable Assembly: LED
CBL-010	AK68-00156-0000	1	Resistor Cable Assembly
CBL-011	AK69-00157-0000	1	Polar Cable
CBL-012	AK86-00087-0200	1	OVERMOLDED IPOD CABLE; NON TREAD; INTEGRITY take from REP depot
CBL-013	AK86-00002-0000	1	TV Control: Non-Tread
CBL-014	AK86-00003-0000	1	iPod Console Cable: Non-Tread

