

Retro Fitness Recumbent Bike Dom Base

CLSR-ALLXX-05RF

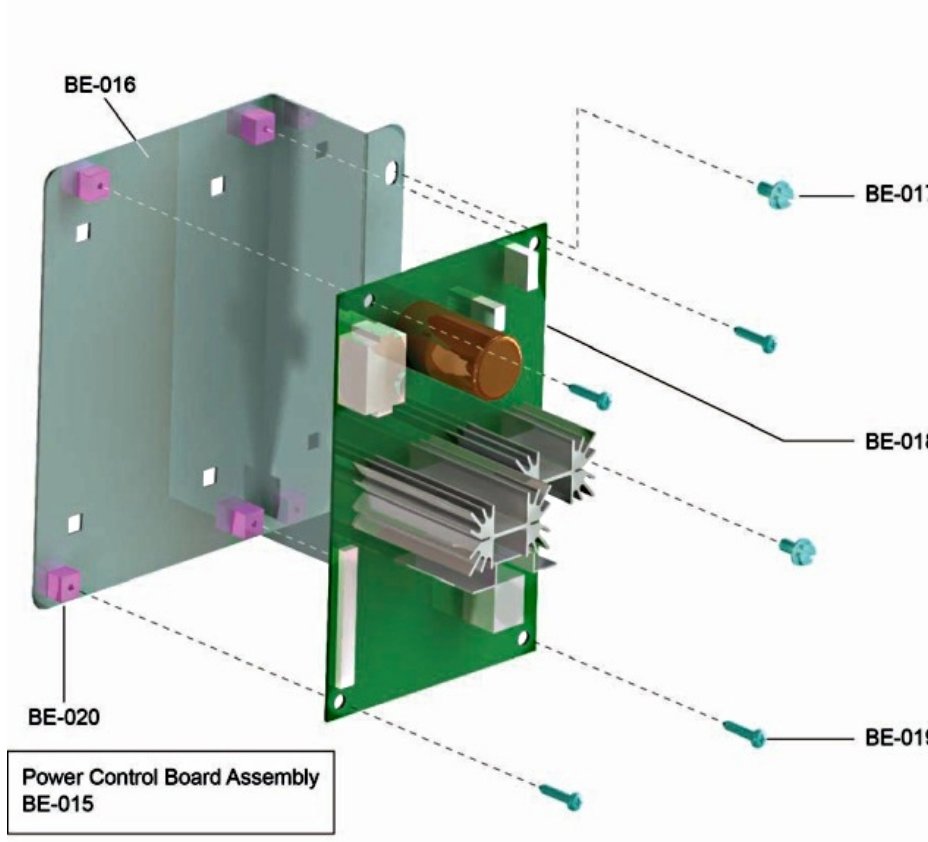
Parts Manual

1/5/2019 12:37:55 PM

Table of Contents

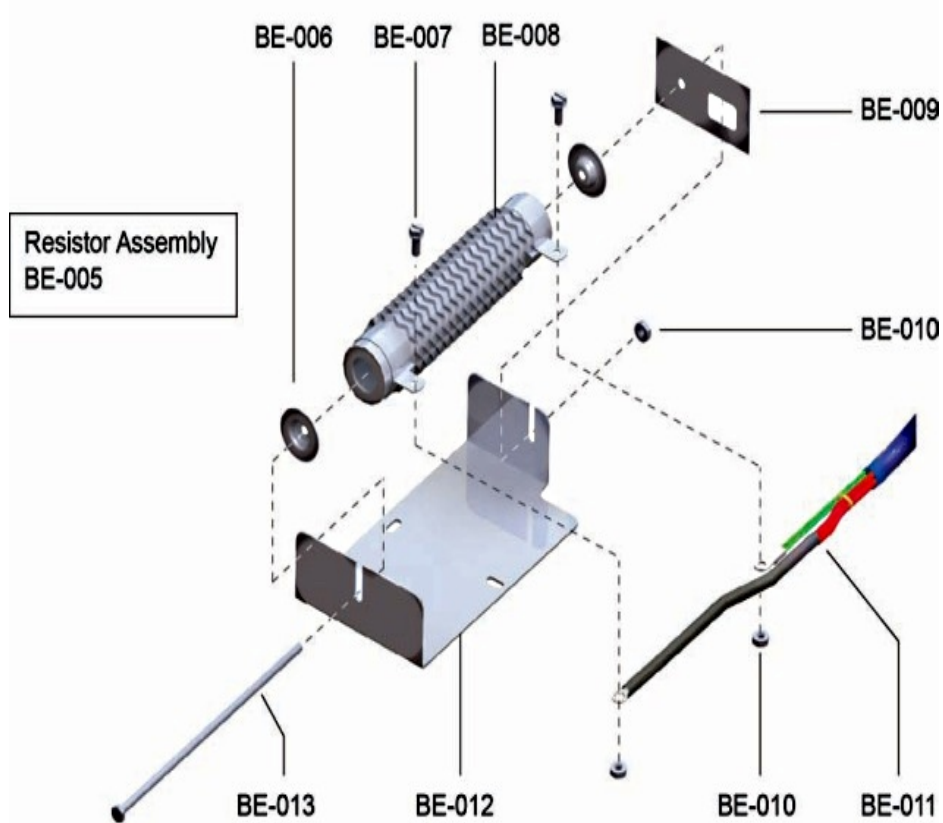
Base Electronics - Power Control Board Assembly.....	3
Base Electronics - Resistor Assembly.....	4
Base Electronics - 6V Battery.....	5
Drive System - Belts, Alternators with Pulley Assembly.....	6
Drive System - Crankshaft and Bearing Assembly.....	7
Frame System - Console Support and Handlebars.....	8
Frame System - Shrouds, Endcap, Crank Arm and Pedals.....	9
Frame System - Wheel Leveler.....	10
Miscellaneous.....	11
Seat Mechanism - Extrusion Assembly.....	12
Seat Mechanism - Locking Assembly.....	13
Seat Mechanism - Seat Assembly.....	14
Seat Mechanism - Seat Assembly - Bottom.....	15
Seat Mechanism - Seat Frame Assembly.....	16
Seat Mechanism - Seat Pads and Accessory Tray.....	17
Wiring.....	18

Base Electronics - Power Control Board Assembly



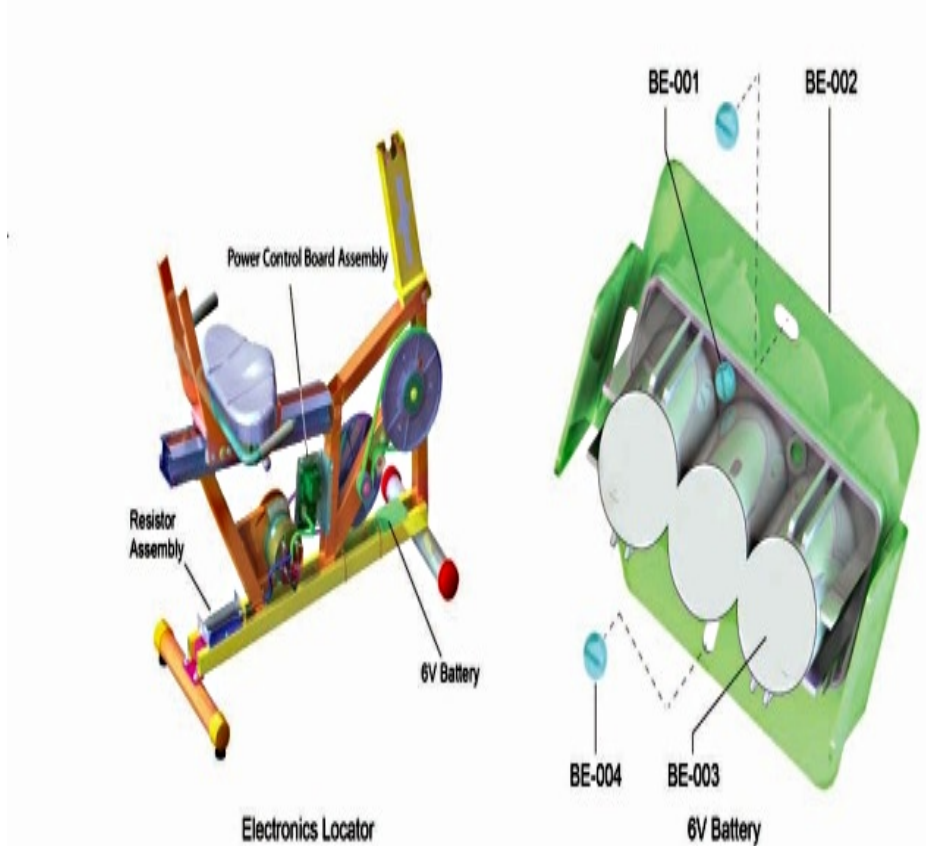
Ref #	Part Number	Qty	Description
BE-015	AK39-00022-0003	1	PCB: Recumbent
BE-016	0K39-01027-0000	1	PCB Bracket
BE-017	0017-00101-1193	2	Hardware: Screw 0.375"
BE-018	B084-92218-0000	1	PCB Circuit Board
BE-019	0017-00101-0823	4	Hardware: Screw 0.75"
BE-020	0017-00042-0821	4	Hardware: Plastic Grommet

Base Electronics - Resistor Assembly



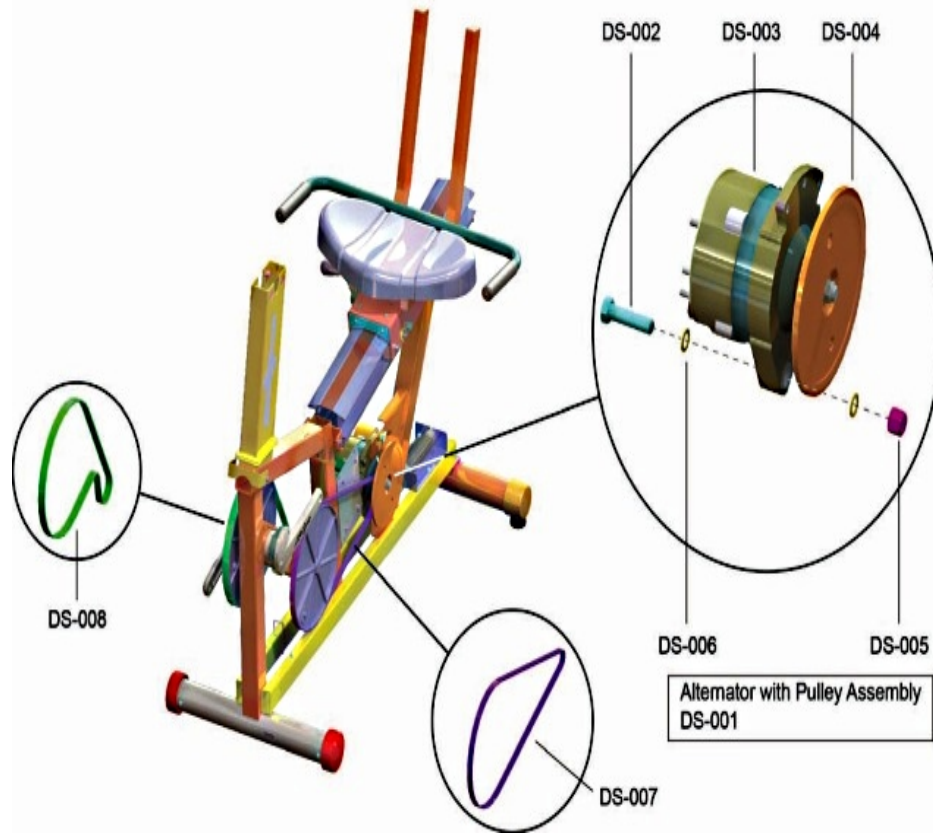
Ref #	Part Number	Qty	Description
BE-005	AK63-00093-0000	1	Alternator w/Pulley
BE-006, BE-009	0017-00104-0309	3	Hardware: Washer 1.12" OD
BE-007	0017-00101-1057	2	Hardware: Pan Screw 0.5"
BE-008	100E-00002-0092	1	Resistor .5 OHM 240 Watt
BE-010	0017-00103-0081	3	Hardware: Hex Nut ID
BE-011	AK39-00006-0000	1	Power Cable
BE-012	0K39-01036-0000	1	Resistor Bracket
BE-013	0K63-01166-0000	1	Resistor Mounting Rod

Base Electronics - 6V Battery



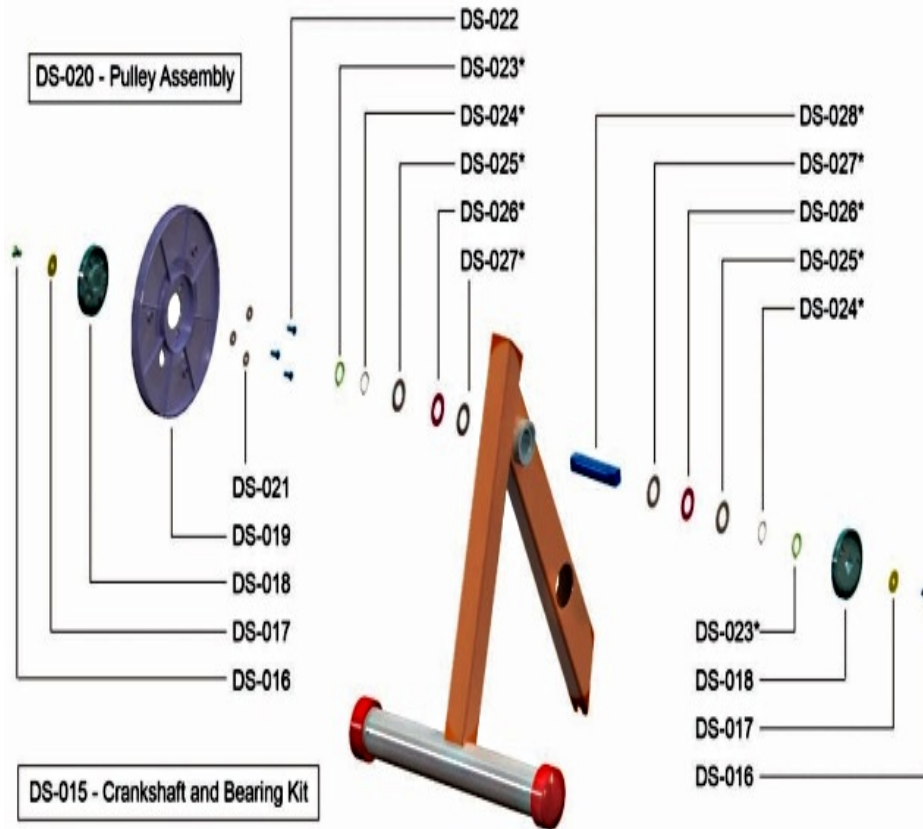
Ref #	Part Number	Qty	Description
BE-001	0017-00101-0975	2	Hardware: Mounting Bolt 0.375"
BE-002	0K51-01036-0000	1	Battery Bracket
BE-003	0017-00003-0685	1	6V Battery
BE-004	0017-00101-1193	2	Hardware: Screw 0.375"

Drive System - Belts, Alternators with Pulley Assembly



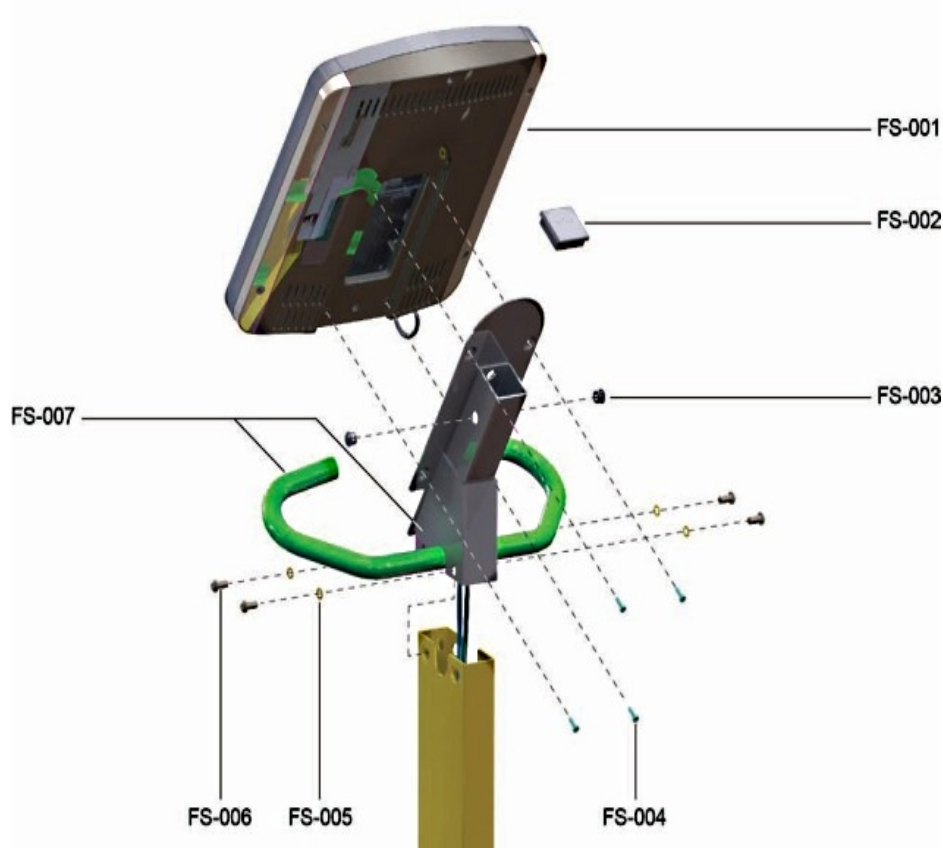
Ref #	Part Number	Qty	Description
DS-001	AK63-00093-0000	1	Alternator w/Pulley
DS-002	0017-00101-0956	1	Hardware: Bolt 2"
DS-003	0017-00009-0841	1	Alternator
DS-004	0K61-01027-0000	1	Flywheel: 6.75" D
DS-005	0017-00103-0117	1	Hardware: Locking Nut 1/2" ID
DS-006	0017-00104-0044	2	Hardware: Washer 0.75" OD
DS-007	0017-00009-1324	1	Belt: Poly-V; 49.00 IN
DS-008	GK63-00002-0079	1	Kit: Upright/Rec Belt And Pulley

Drive System - Crankshaft and Bearing Assembly



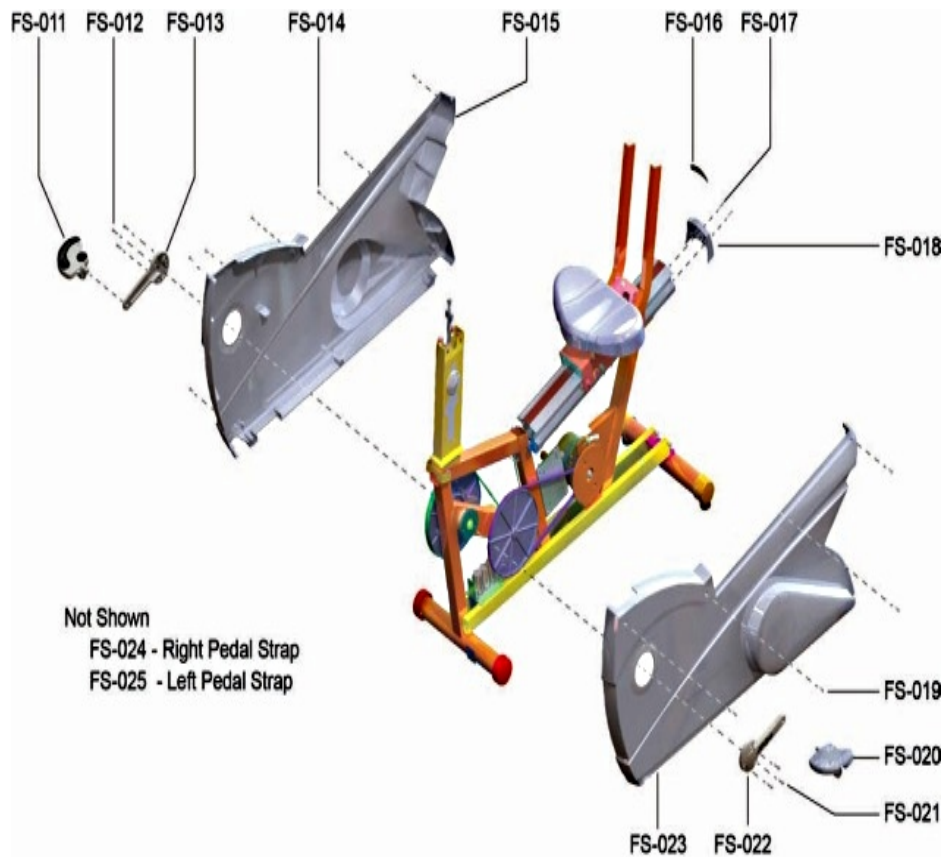
Ref #	Part Number	Qty	Description
DS-015	GK63-00002-0077	1	Crankshaft and Bearing Kit
DS-016	0017-00101-1705	2	Hardware: Bolt 0.5"
DS-017	0017-00104-0409	2	Hardware: Washer 1.125" OD
DS-018	0K63-01095-0001	2	Crank Arm Hub
DS-019	AK63-00051-0000	1	Pulley Assembly
DS-020	0K63-01018-0000	1	Crank Pulley
DS-021	0017-00104-0458	3	Hardware: Flat Washer 0.75" OD
DS-022	0017-00101-1715	3	Hardware: TORX Cap Screw 0.625"
DS-023	0017-00100-0243	2	Hardware: Bowed Retaining Ring .984"
DS-024	0017-00100-0241	2	Hardware: Small Snap Ring .984"
DS-025	0K63-01129-0001	2	Hardware: Large Thrust Washer
DS-026	0K63-01344-0000	2	Hardware: Needle Bearing
DS-027	0K63-01129-0000	2	Hardware: Small Thrust Washer
DS-028	0K63-01012-0001	1	Crankshaft

Frame System - Console Support and Handlebars



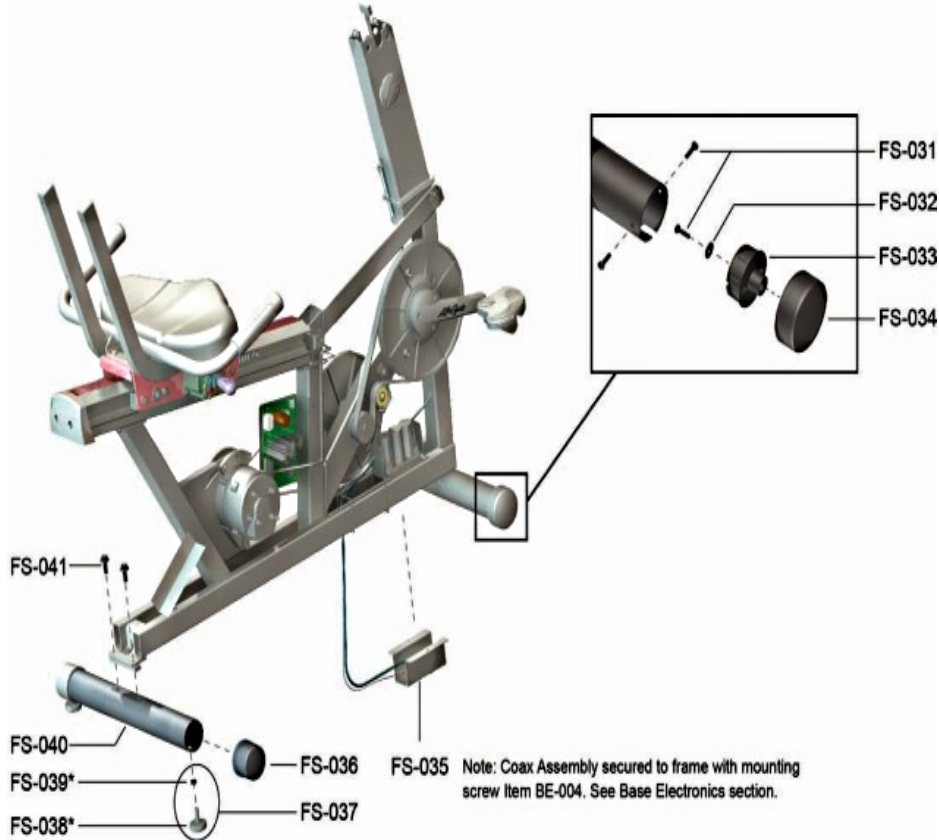
Ref #	Part Number	Qty	Description
FS-002	0K47-01156-0202	1	End Cap
FS-003	0K58-01552-0700	1	Plug
FS-004	0017-00101-1744	4	Hardware: Phillips Pan Screw
FS-005	0017-00104-0462	1	Hardware: Flat Washer 0.478" OD
FS-006	0017-00101-1756	4	Hardware: Frame Post Bolt 0.75"
FS-007	AK39-00167-0600	1	CONSOLE-SUPPORT WELD ASSY: RECUMBENT; RETRO

Frame System - Shrouds, Endcap, Crank Arm and Pedals



Ref #	Part Number	Qty	Description
FS-011	AK63-00263-0003	1	Pedal: Right
FS-012,FS-021	0017-00101-1855	6	Hardware: TORX Screw 0.875"
FS-013	0K39-01042-0009	1	Crank Arm: Right
FS-014,FS-019	0017-00101-1741	11	Hardware: Screw
FS-015	AK39-00136-0001	1	Shroud with Decal - Right
FS-016	0K51-01085-0001	1	Decal
FS-017	0017-00101-1614	2	Hardware: Screw 0.625"
FS-018	AK39-00050-0005	1	End Cap
FS-020	AK63-00263-0004	1	Pedal: Left
FS-022	0K39-01042-0010	1	Crank Arm: Left
FS-023	AK39-00137-0001	1	Shroud with Decal - Left
FS-024	0K63-01238-0205	1	STRAP: PEDAL; DLX; RT.; SHDW-02XX
FS-025	0K63-01238-0206	1	Pedal Strap: Left

Frame System - Wheel Leveler

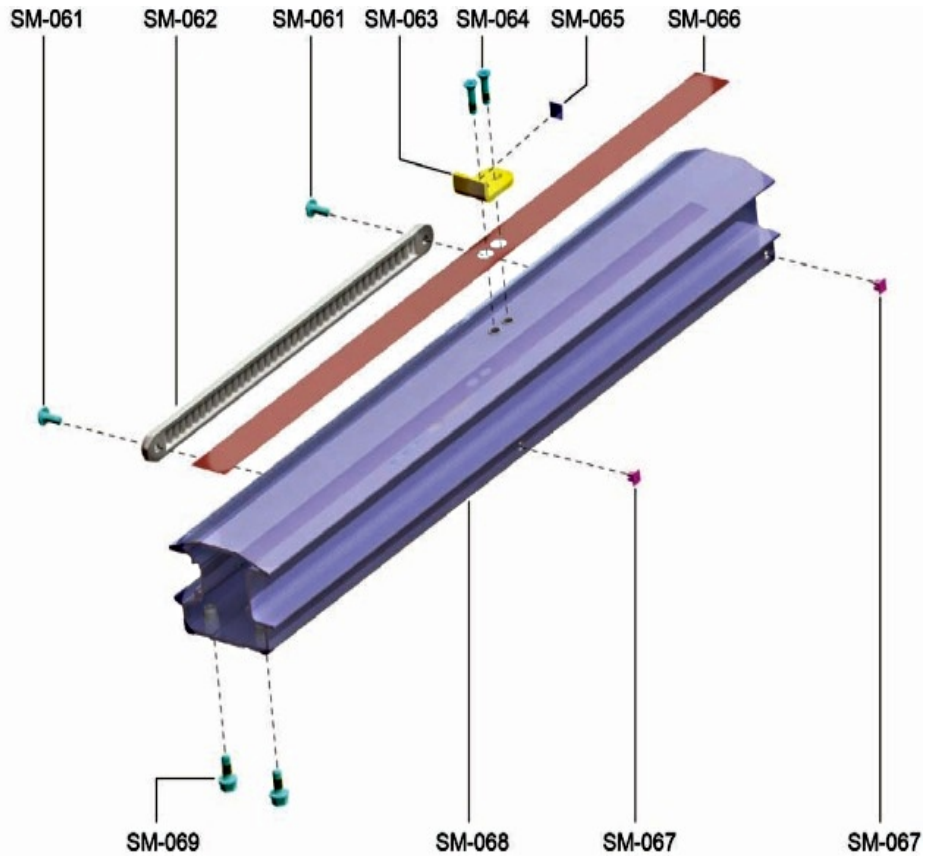


Ref #	Part Number	Qty	Description
FS-031	0017-00101-1747	3	Hardware: Pan Screw 0.75"
FS-032	0K63-01041-0000	1	Hardware: Flat Washer
FS-033	0K63-01039-0000	1	Wheel Insert
FS-034	AK63-00016-0202	1	Wheel Assembly w/Bearing
FS-036	0K63-01219-0202	1	End Cap
FS-037	AK61-00035-0000	1	Leg Leveler
FS-038	0017-00009-0795	1	Leg Leveler
FS-039	0017-00103-0273	1	Hardware: Hex Nut 3/8" ID
FS-040	AK39-00105-0604	1	Rear Stabilizer
FS-041	0017-00101-1635	1	Hardware: Hex Bolt 1"
-	AK39-00093-0001	1	Coax Assembly

Miscellaneous

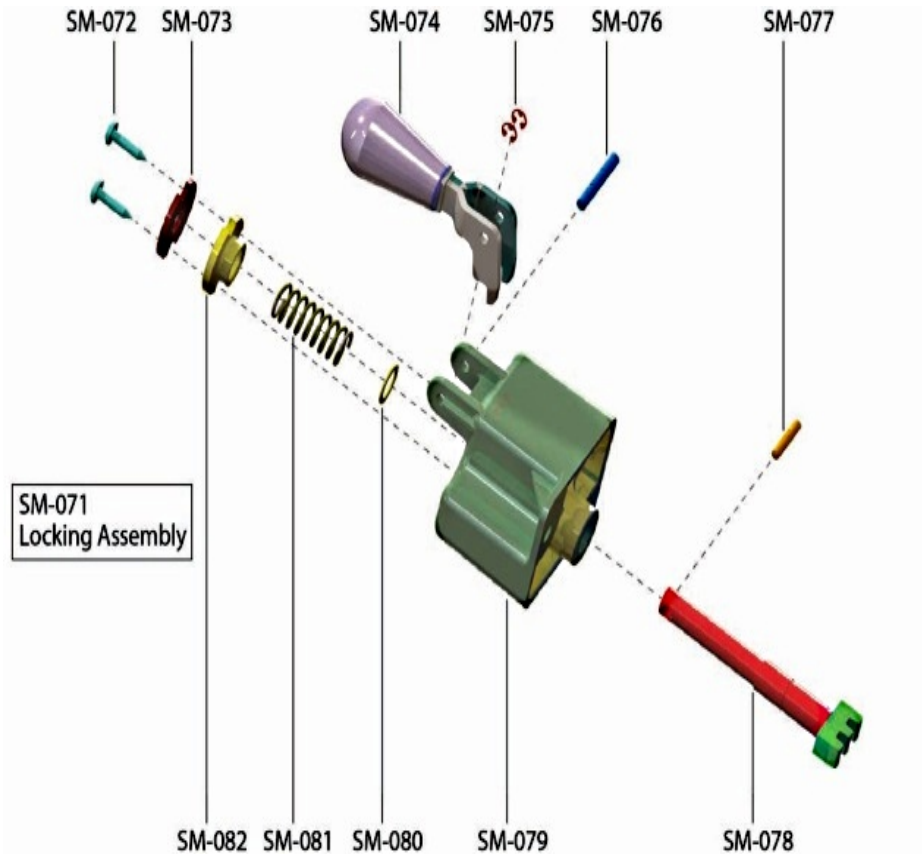
Ref #	Part Number	Qty	Description
-	0017-00008-0205	1	5 oz Bottle - Arctic Silver
-	0017-00008-0206	1	.33oz Pen - Arctic Silver
-	8809801	1	Paint: Hex Yellow Touch Up: .6 Oz Bottle W/Applicator
-	3249313	1	Paint: 4.5 oz Aerosol Spray
-	3249413	1	Paint: 0.5 oz Brush
-	GK63-00002-0005	1	Power Option Kit: 120V
-	8809701	1	Paint: Hex Yellow Touch Up: 12 Oz Spray
-	GK63-00002-0003	1	C-SAFE Network Kit
-	0017-00008-0204	1	Paint Spray Can - Arctic Silver
-	GK39-00002-0008	1	Hardware Bag

Seat Mechanism - Extrusion Assembly



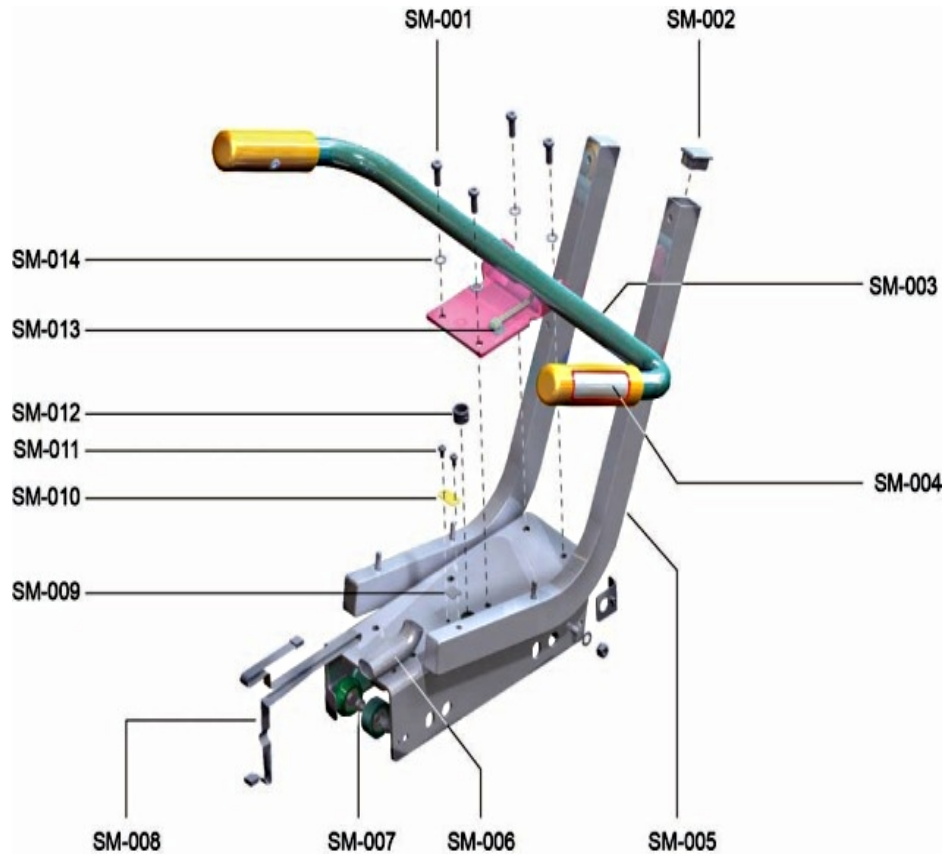
Ref #	Part Number	Qty	Description
SM-061	0017-00101-1750	2	Hardware: Screw 0.75"
SM-062	0K51-01013-0002	1	Locking Rack
SM-063	0K51-01061-0001	1	Stop Bracket
SM-064	0017-00101-1751	2	Hardware: Screw 1"
SM-065	0017-00041-0654	1	Bumper
SM-066	0K51-01039-0001	1	Decal
SM-067	0017-00042-1055	4	Hardware: Plastic Grommet
SM-068	AK39-00029-0001	1	Extrusion Assembly
SM-069	0017-00101-1183	2	Hardware: Bolt 0.75"

Seat Mechanism - Locking Assembly



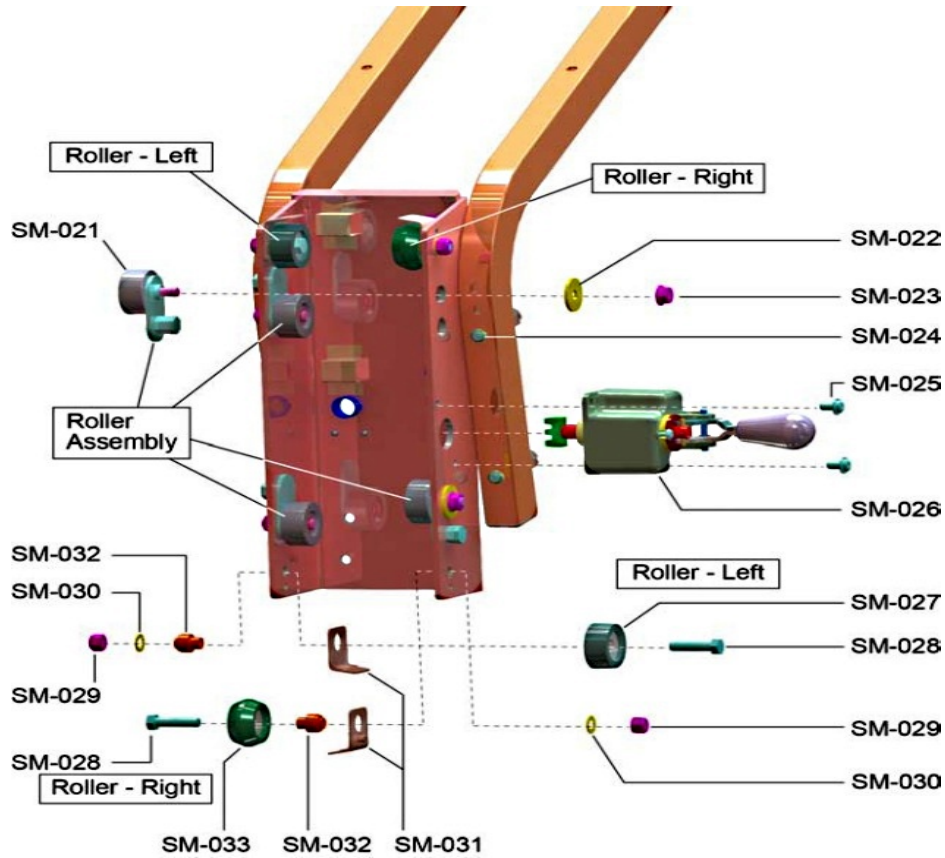
Ref #	Part Number	Qty	Description
SM-071	AK51-00053-0002	1	Locking Assembly: Black
SM-072	0017-00101-1742	2	Hardware: TORX Screw 0.75"
SM-073	0K51-01060-0001	1	Hardware: Anti-Rattle Washer
SM-074	AK51-00029-0202	1	Knob
SM-075	0017-00100-0018	2	Hardware: E-Ring .188"
SM-076	0K51-01007-0000	1	Handle Shaft
SM-077	0017-00007-0245	1	Hardware: Groove Pin 5/32" D 1.75" L
SM-078	AK19-00147-0000	1	Locking-Block Assembly
SM-079	AK51-00030-0001	1	Housing-Insert Assembly
SM-080	0017-00104-0421	1	Hardware: Flat Washer 0.64" OD
SM-081	0K51-01012-0000	1	Compression Spring
SM-082	0K51-01011-0000	1	Hardware: Retainer Bearing

Seat Mechanism - Seat Assembly



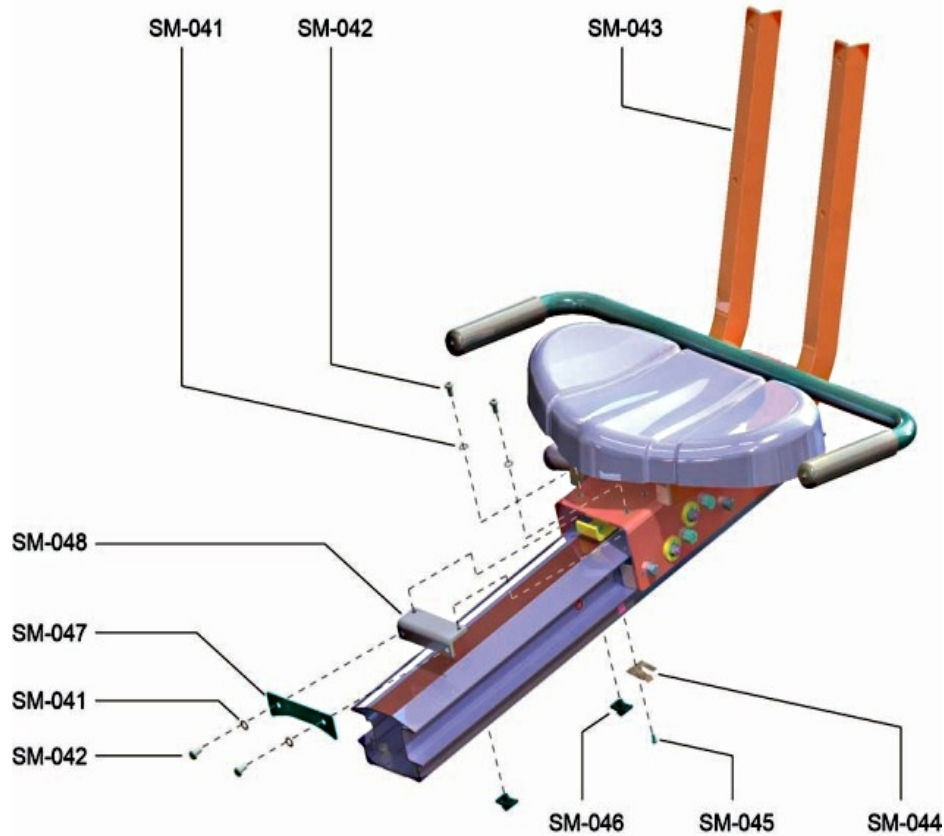
Ref #	Part Number	Qty	Description
SM-001	0017-00101-1745	4	Hardware: Screw 0.875"
SM-002	0K19-01208-0202	4	End Cap
SM-003	AK39-00156-0002	1	HANDLEBAR ASSY: MFG; RETRO
SM-004	AK63-00014-0003	1	Heart Rate Electrode
SM-005	AK51-00023-0605	1	Seat Assembly
SM-006	0K19-01230-0000	1	Cable Sleeve
SM-007	0017-00101-1749	4	Hardware: Hex Bolt 1.25"
SM-008	AK19-00082-0001	1	Flat Flex Cable
SM-009,S			
M-013	0K19-01222-0000	3	Double-sided Foam Tape
SM-010	0K19-01221-0000	1	Hardware: Upper Flex Cable Clamp
SM-011	0017-00101-1282	2	Hardware: TORX Screw 0.375"
SM-012	0017-00042-0866	1	Hardware: Hole Bushing - 3/4"
SM-014	0017-00104-0461	1	Hardware: Flat Washer 0.602" OD

Seat Mechanism - Seat Assembly - Bottom



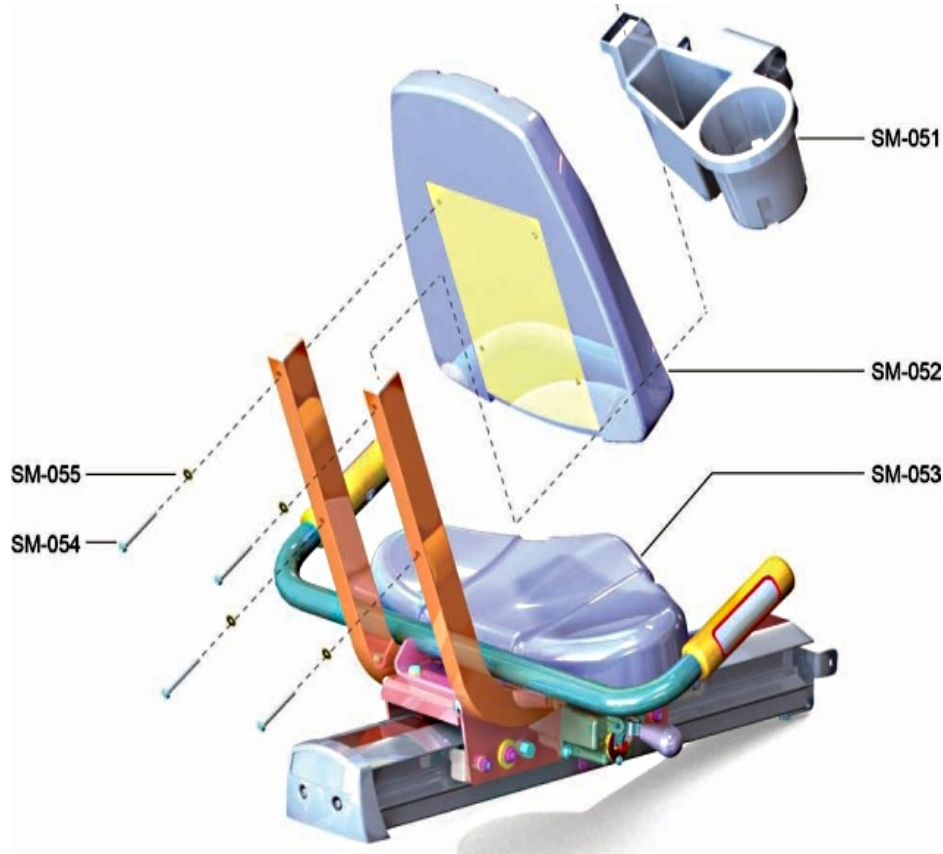
Ref #	Part Number	Qty	Description
SM-021	AK51-00056-0001	4	Roller Assembly
SM-022	0017-00104-0463	1	Hardware: Flat Washer 1.125" OD
SM-023	0017-00103-0325	1	Hardware: Locking Nut 5/16" ID
SM-024	0017-00101-1743	4	Hardware: Mounting Screw 2.25"
SM-025	0017-00101-1748	2	Hardware: Screw 0.5"
SM-026	AK51-00053-0002	1	Locking Assembly: Black
SM-027	0K51-01034-0002	2	Seat Roller: Left
SM-028	0017-00101-1749	4	Hardware: Hex Bolt 1.25"
SM-029	0017-00103-0326	4	Hardware: Locking Nut 5/16" ID
SM-030	0017-00104-0461	4	Hardware: Flat Washer 0.602" OD
SM-031	0K51-01059-0001	4	Roller Shield
SM-032	0K51-01044-0000	4	Roller Spacer
SM-033	0K51-01034-0001	2	Seat Roller: Right

Seat Mechanism - Seat Frame Assembly



Ref #	Part Number	Qty	Description
SM-041	0017-00104-0462	4	Hardware: Flat Washer 0.478" OD
SM-042	0017-00101-1746	4	Hardware: Console Support Cap Screw
SM-043	AK39-00162-0002	1	SEAT-ASSY: MFG; INTEG RETRO
SM-044	0017-00042-0880	1	Hardware: Split Clamp
SM-045	0017-00101-1295	1	Hardware: Pan Screw 0.375"
SM-046	0017-00042-0879	2	Hardware: Push Mount Wire Clip
SM-047	0K19-01185-0001	1	Plastic Shield
SM-048	0K51-01062-0000	1	Front Stop Bracket

Seat Mechanism - Seat Pads and Accessory Tray



Ref #	Part Number	Qty	Description
SM-051	AK39-00052-0006	1	Accessory Tray
SM-052	0K51-01055-0001	1	Seat Back
SM-053	0K51-01054-0001	1	Seat Bottom
SM-054	0017-00101-1743	4	Hardware: Mounting Screw 2.25"
SM-055	0017-00104-0462	4	Hardware: Flat Washer 0.478" OD

Ref #	Part Number	Qty	Description
CBL-001	118E-00001-0140	1	Reed Switch SPDT
CBL-002	118E-00001-0266	1	FFC 16 Pin 1.25mm 7 in. Cable
CBL-003	AK19-00082-0001	1	Flat Flex Cable
CBL-004	AK32-00020-0001	1	Coax Cable: 90"
CBL-005	AK32-00078-0001	1	Power Extension Cable: 120"
CBL-006	AK32-00124-0002	1	Headphone Jack Cable - 3.5 mm
CBL-007	AK39-00006-0000	1	Power Cable
CBL-008	AK39-00007-0000	1	DC Power Cable
CBL-009	AK39-00010-0000	1	Cable Assembly: 2-sensor Handlebar
CBL-015	AK69-00157-0000	1	Polar Cable
CBL-016	AK86-00087-0200	1	OVERMOLDED IPOD CABLE; NON TREAD; INTEGRITY take from REP depot
CBL-017	AK86-00002-0000	1	TV Control: Non-Tread
CBL-018	AK86-00003-0000	1	iPod Console Cable: Non-Tread
CBL-019	AK86-00032-0000	1	Console Cable Assembly: Recumbent
CBL-020	AK86-00033-0000	1	Heart Rate Cable Assembly: Recumbent

