

Classic Treadmill - Spanish Low VT

CLST-0400-01

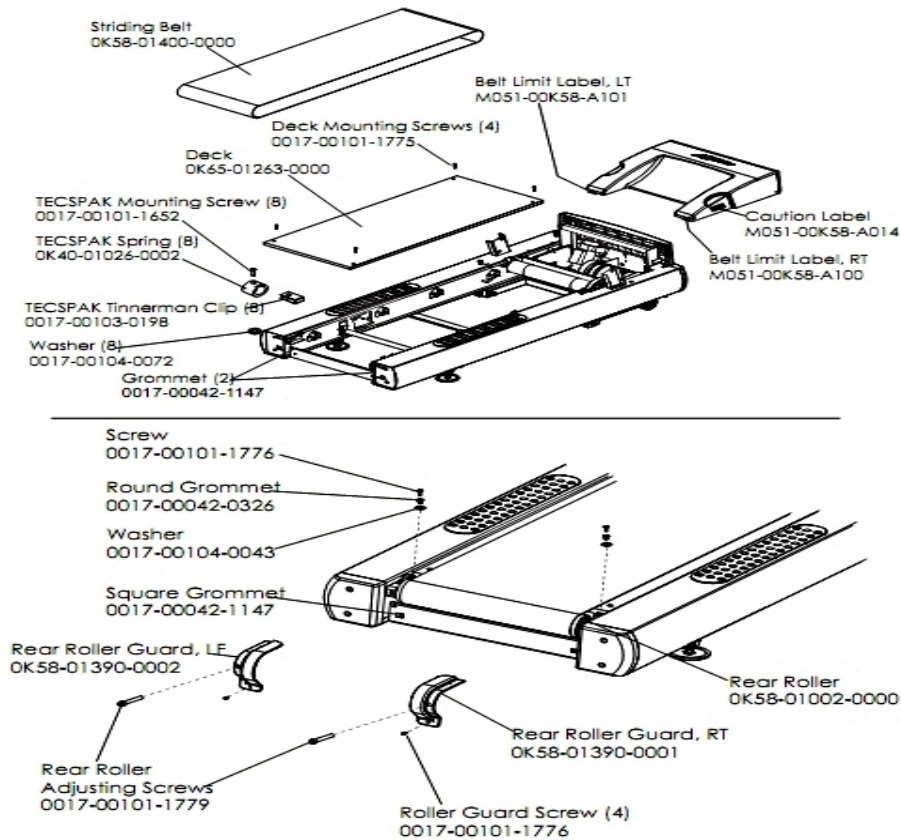
Parts Manual

1/5/2019 12:42:17 PM

Table of Contents

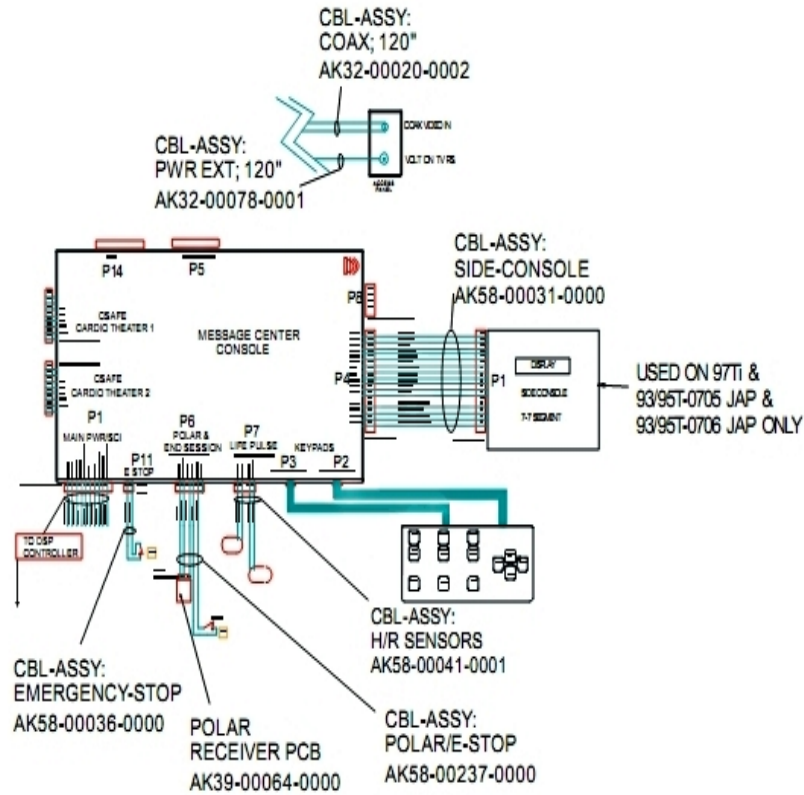
Belt, Deck and Rear Roller	3
Block Diagram 1	4
Block Diagram 2	5
Block Diagram 3	6
Console and Related Components	7
Drive Motor Assembly	8
Ergo Bar with Heart Rate Assembly	9
Front Roller Assembly	10
Idle Arm Assembly and Static Brush	11
Leveler Assembly	12
Lift Frame, Lift Motor and IEC Receptacle	13
Line Cords and Line Cord Options	14
Miscellaneous	15
Motor Controller Assembly	16
Motor Cover, Front Cover and Front End Caps	17
Rear End Caps and Cup Holders	18
Scuff Pad, Tinsel and Frame Tag Board	19
Uprights and Handrails	20

Belt, Deck and Rear Roller



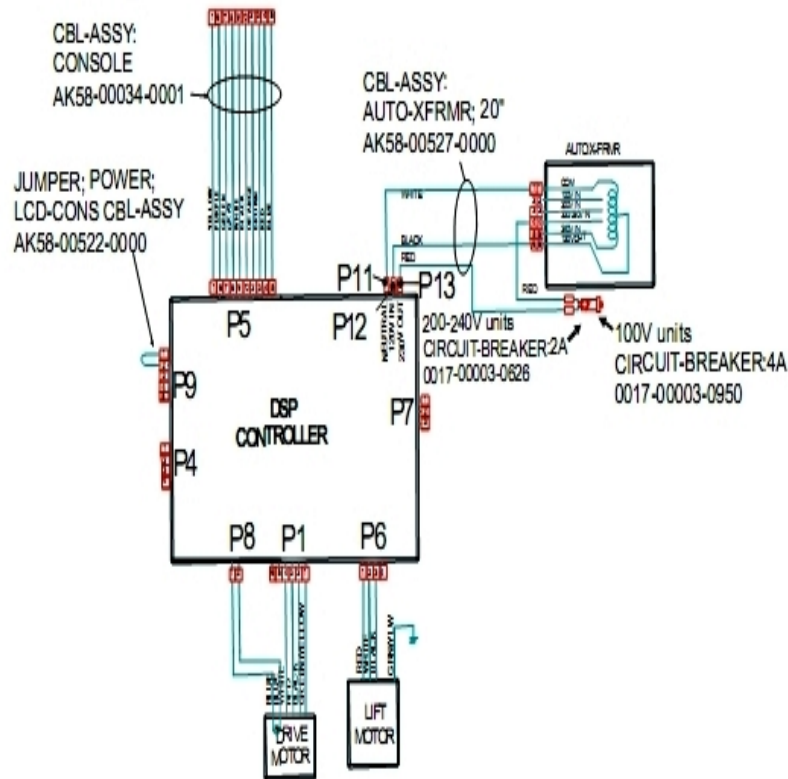
Ref #	Part Number	Qty	Description
-	0017-00042-0326	2	Hardware: Plastic Grommet
-	OK58-01400-0000	1	Striding Belt
-	0017-00101-1775	4	Hardware: Deck Screws 1.25"
-	M051-00K58-A101	1	Belt Limit Label. Left
-	0017-00101-1776	6	Hardware: Mounting Screw 0.5"
-	OK58-01390-0001	1	Rear Roller Guard Right
-	OK65-01263-0000	1	Deck
-	M051-00K58-A100	1	Label: Belt Limit: Right
-	0017-00103-0198	8	Hardware: Tinnerman Clip 1/4" ID
-	0017-00042-1147	4	Hardware: Nylon Grommet
-	OK58-01002-0000	1	Rear Roller - 3.5"
-	OK58-01390-0002	1	Rear Roller Guard Left
-	M051-00K58-A014	1	Label: Caution
-	OK40-01026-0002	8	Deck Spring
-	0017-00101-1652	8	Hardware: Spring Mounting Screw 1"
-	0017-00101-1779	2	Hardware: Rear Roller Adjusting Bolt
-	0017-00104-0043	2	Hardware: Flat Washer 0.734" OD
-	0017-00104-0072	8	Hardware: Flat Washer 0.562" OD

Block Diagram 1



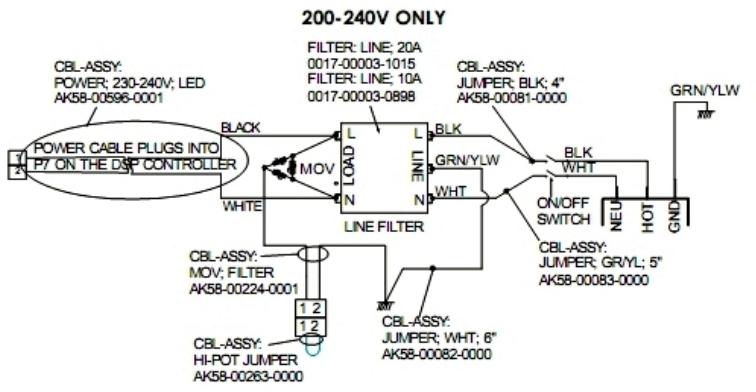
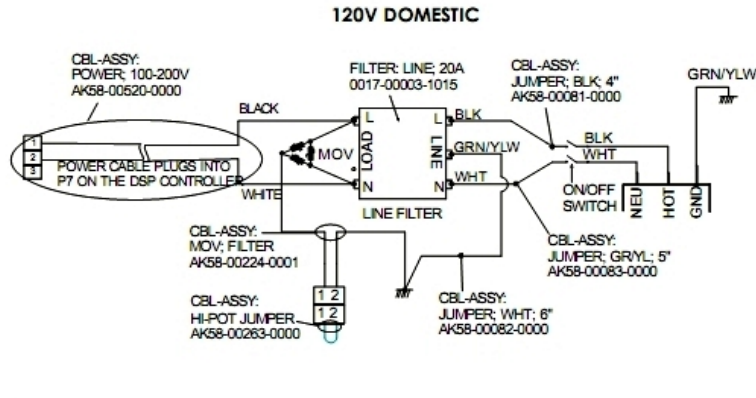
Ref #	Part Number	Qty	Description
-	118E-00001-0259	1	Wireless Receiver Module, Non-Coded
-	AK32-00078-0001	1	Power Extension Cable: 120"
-	AK58-00237-0000	1	Cable-Assembly: Polar/E-Stop
-	AK32-00020-0002	1	Coax Cable: 120"
-	AK58-00036-0000	1	Cable-Assembly: Emergency-Stop Switch
-	AK58-00031-0000	1	Side Console Cable Assembly
-	AK58-00041-0001	1	Heart Rate Sensor Cable

Block Diagram 2



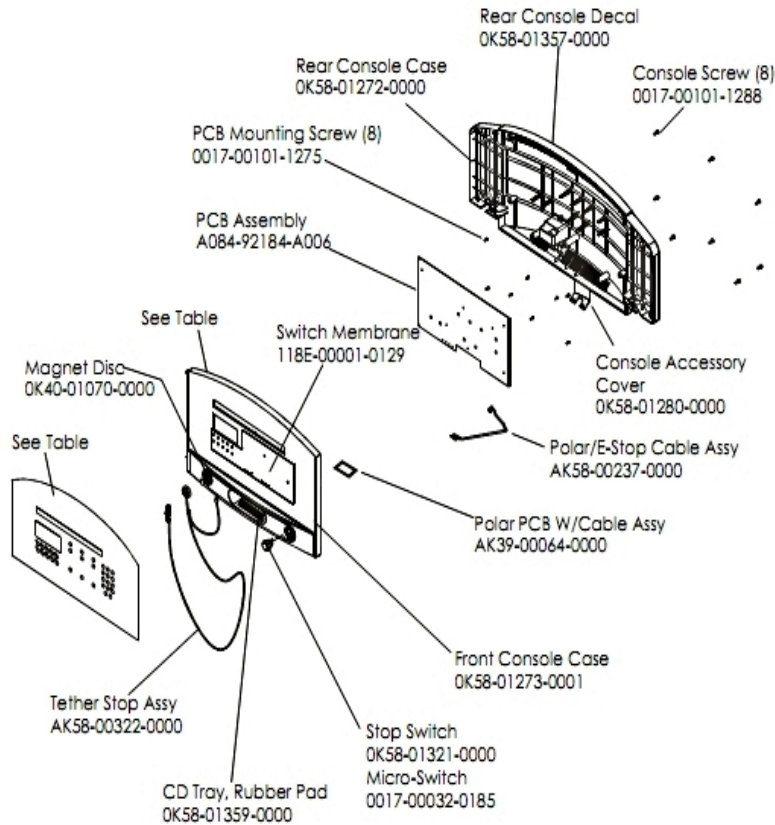
Ref #	Part Number	Qty	Description
-	0017-00003-0950	1	100v 4 AMP Breaker
-	AK58-00522-0000	1	Cable: Jumper; Power; LED Console
-	0017-00003-1015	1	20 amp Line Filter (DOM)
-	AK58-00527-0000	1	Auto-Transformer: Use on High Voltage
-	AK58-00034-0001	1	Console Power Cable

Block Diagram 3



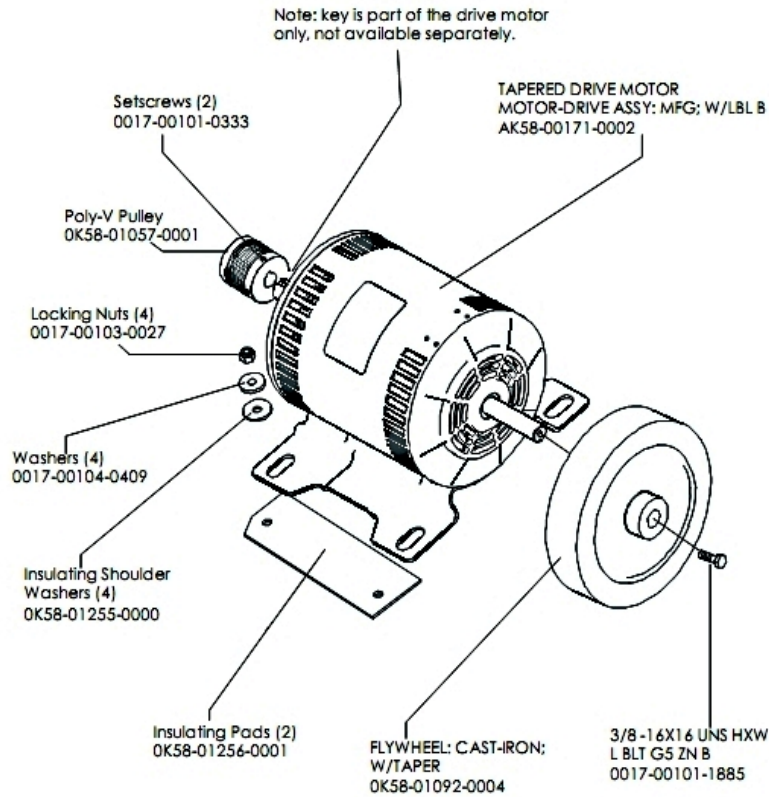
Ref #	Part Number	Qty	Description
-	AK58-00082-0000	1	Jumper Cable Assembly: White - 6"
-	0017-00003-1015	1	20 amp Line Filter (DOM)
-	AK58-00083-0000	1	Cable Assembly
-	AK58-00263-0000	1	Hi-Pot Jumper Cable
-	AK58-00224-0001	1	Cable: MOV; Fliter
-	AK58-00520-0000	1	Power Cable Assembly: 100-120V
-	AK58-00081-0000	1	Jumper Cable Assembly: Black - 4"

Console and Related Components



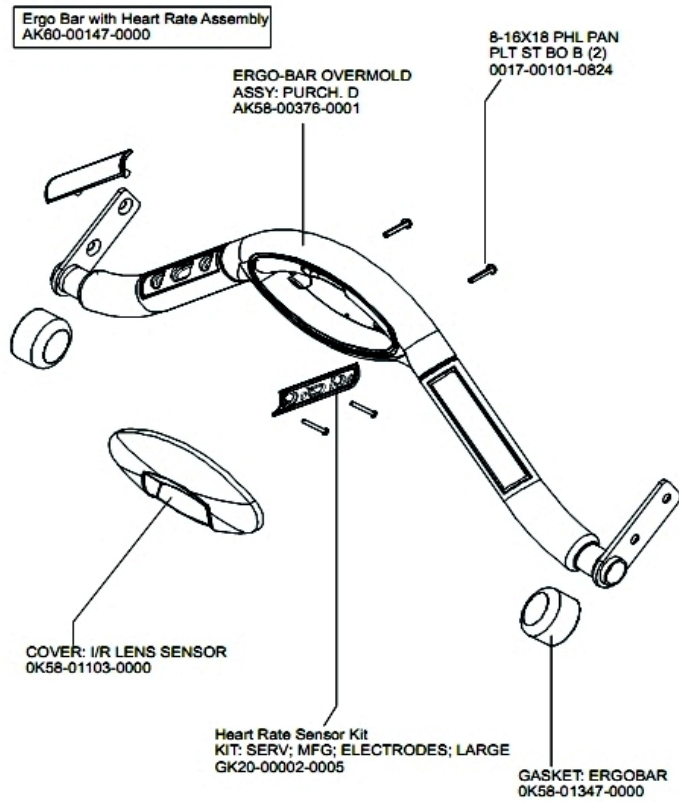
Ref #	Part Number	Qty	Description
-	AK58-00237-0000	1	Cable-Assembly: Polar/E-Stop
-	OK58-01273-0001	1	Front Console Case
-	0017-00032-0185	1	Micro Switch 150GR
-	OK58-01280-0000	1	Accessory Cover
-	OK58-01298-0004	1	Console Spanish
-	OK58-01359-0000	1	Rubber Pad
-	OK58-01357-0000	1	Decal
-	0017-00101-1275	8	Hardware: Phillips Screw 0.375"
-	0017-00101-1288	8	Hardware: Phillips Screw 0.5"
-	OK40-01070-0000	1	Magnetic Disk
-	118E-00001-0259	1	Wireless Receiver Module, Non-Coded
-	OK58-01321-0000	1	Stop Switch
-	118E-00001-0129	1	Switch Membrane
-	A084-92184-A006	1	PCB Assembly
-	AK58-00580-0004	1	Console: Spanish/Metric
-	AK58-00322-0000	1	Tether Stop Assembly
-	OK58-01272-0000	1	Rear Console Case

Drive Motor Assembly



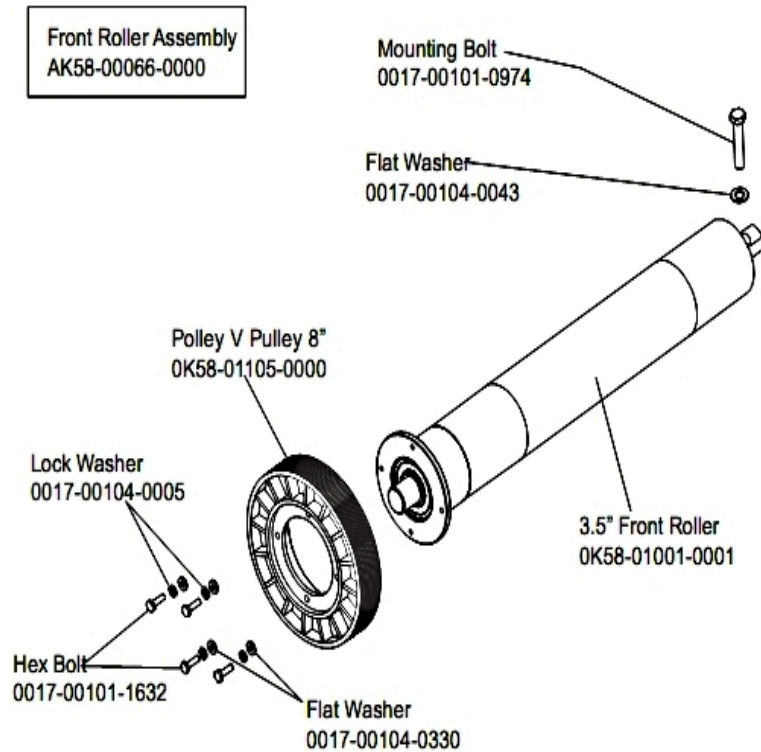
Ref #	Part Number	Qty	Description
-	0017-00101-1885	1	Hardware: Hex Bolt 1"
-	0K58-01255-0000	4	Hardware: Insulating Washers
-	0K58-01092-0004	1	Cast Iron Flywheel
-	0017-00101-0333	2	Hardware: Screw 0.3125"
-	0017-00104-0409	4	Hardware: Washer 1.125" OD
-	0017-00103-0027	4	Hardware: Locking Nut. 5/16" ID
-	0K58-01057-0001	1	Drive Pulley - 1.971"
-	0K58-01386-0004	1	MOTOR: MAIN DRIVE, 230V/50HZ, W/TAPER
-	0K58-01256-0001	2	Insulating Pad

Ergo Bar with Heart Rate Assembly



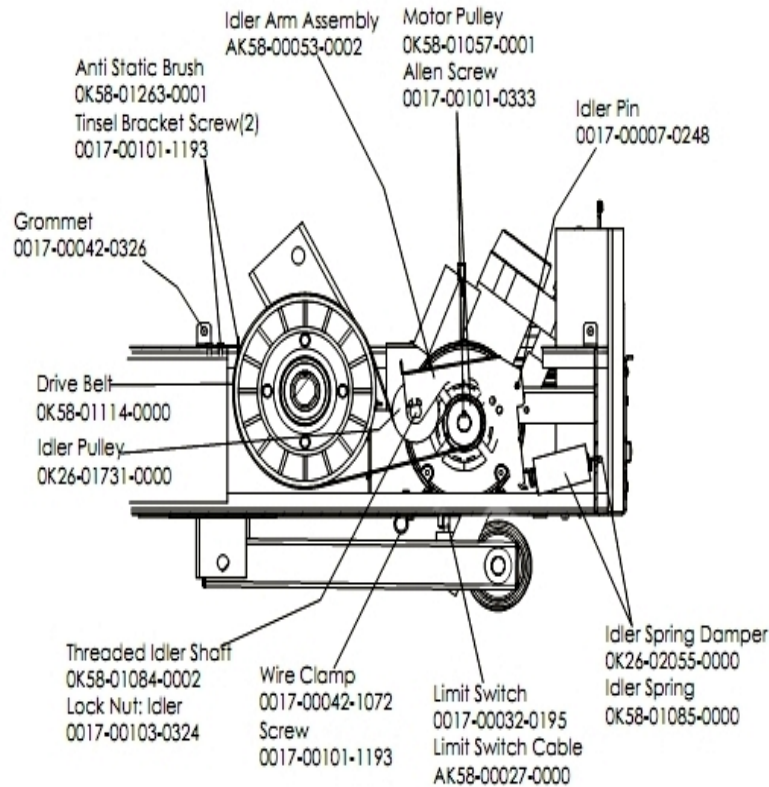
Ref #	Part Number	Qty	Description
-	AK58-00064-0000	1	I/R Lens Cover Assembly
-	GK20-00002-0005	2	Heart Rate Electrode Kit
-	0017-00101-0824	2	Hardware: Screw 1.125"
-	AK60-00147-0000	1	ERGO Bar with Heart Rate Sensor
-	OK58-01347-0000	2	ErgoBar Gasket
-	AK58-00376-0001	1	Ergo-Bar Overmold Assembly

Front Roller Assembly



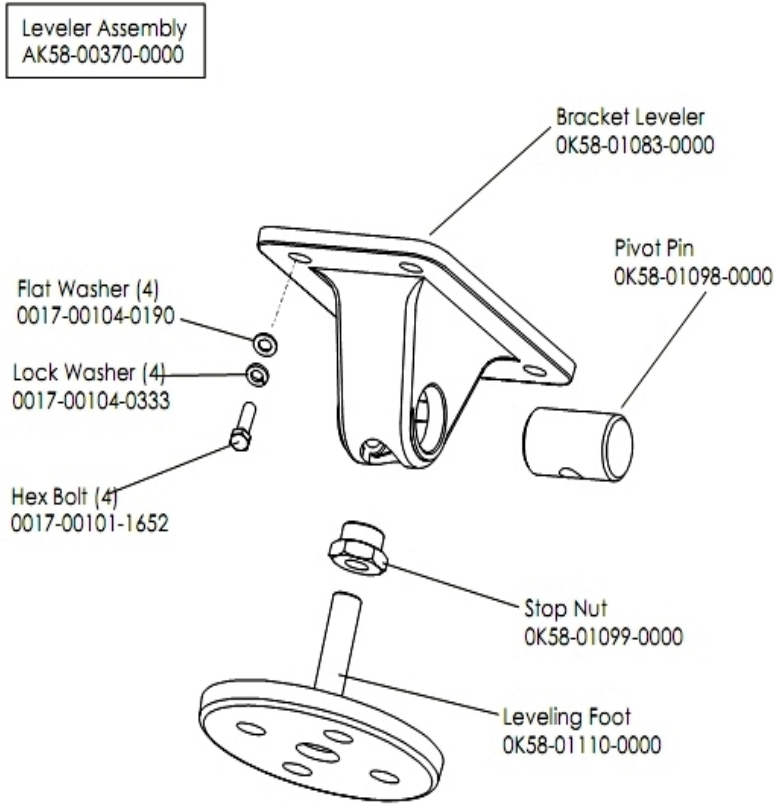
Ref #	Part Number	Qty	Description
-	0017-00101-0974	1	Hardware: Mounting Bolt 2"
-	0017-00104-0330	4	Hardware: Flat Washers 0.562" OD
-	AK58-00066-0000	1	Front Roller Assembly
-	0K58-01001-0001	1	Front Roller - 3.5"
-	0K58-01105-0000	1	Drive Pulley Poly V - 8"
-	0017-00104-0043	1	Hardware: Flat Washer 0.734" OD
-	0017-00104-0005	4	Hardware: Lock Washer 0.489" OD
-	0017-00101-1632	4	Hardware: Hex Bolt 0.875"

Idler Arm Assembly and Static Brush



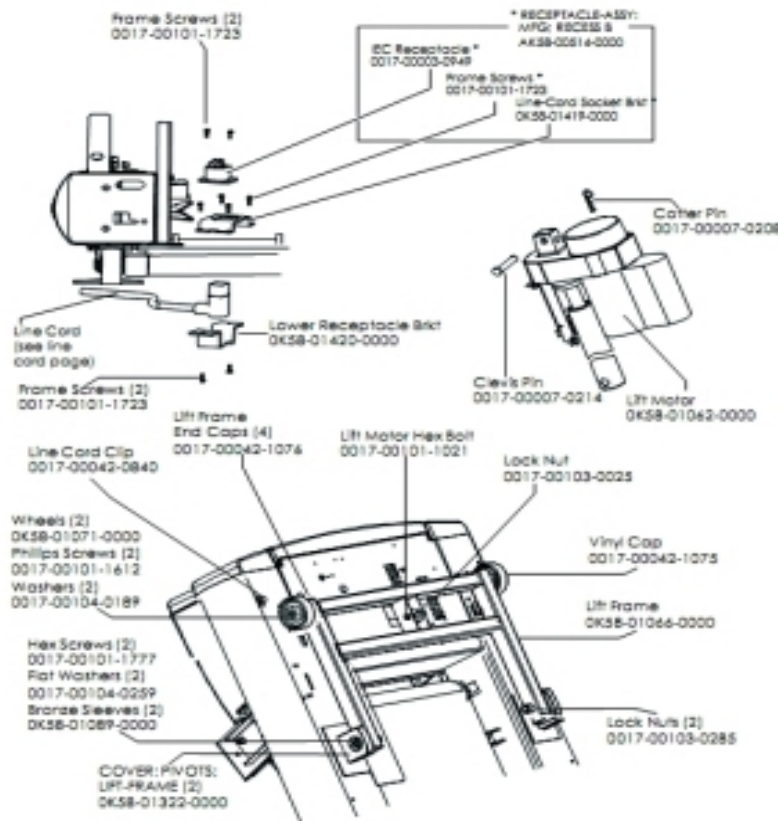
Ref #	Part Number	Qty	Description
-	0017-00103-0324	1	Hardware: Thin Lock Nut 3/8" ID
-	OK58-01263-0001	1	Tinsel Bracket
-	0017-00101-0333	1	Hardware: Screw 0.3125"
-	AK58-00053-0002	1	Idler Arm Assembly
-	AK58-00027-0000	1	Limit Switch Cable
-	OK26-01731-0000	1	Plastic Idler 2 5/8" OD
-	OK26-02055-0000	1	Spring Damper
-	OK58-01057-0001	1	Drive Pulley - 1.971"
-	0017-00007-0248	1	Hardware: Locking Pin .31" D 2.125" L
-	0017-00042-0326	1	Hardware: Plastic Grommet
-	0017-00101-1193	3	Hardware: Screw 0.375"
-	OK58-01114-0000	1	Poly-V Drive Belt - 370J12
-	0017-00032-0195	1	Home Switch
-	0017-00042-1072	1	Hardware: Wire Clamp - 5/8"
-	OK58-01085-0000	1	Extension Spring
-	OK58-01084-0002	1	Threaded Shaft

Leveler Assembly



Ref #	Part Number	Qty	Description
-	OK58-01110-0000	1	Leveler Foot
-	AK58-00370-0000	1	Leveler Assembly
-	0017-00104-0190	4	Hardware: Flat Washer 0.734" OD
-	0017-00104-0333	4	Hardware: Washer 0.683" OD
-	0017-00101-1652	4	Hardware: Spring Mounting Screw 1"
-	OK58-01098-0000	1	Hardware: Pivot Pin
-	OK58-01099-0000	1	Hardware: Stop Nut
-	OK58-01083-0000	1	Leveler Bracket

Lift Frame, Lift Motor and IEC Receptacle



Ref #	Part Number	Qty	Description
-	0K58-01420-0000	1	Lower Receptacle Bracket
-	0017-00042-0840	1	Hardware: Push Mount Clip
-	0K58-01089-0000	2	Bronze Sleeve Bushings
-	0017-00007-0208	1	Hardware: Cotter Pin
-	0017-00042-1076	4	Lift Frame End Cap
-	0017-00101-1021	1	Hardware: Lift Motor Hex Bolt 2.5"
-	0017-00103-0025	1	Hardware: Locking Nut 3/8" ID
-	0017-00104-0259	2	Hardware: Washer 1.331" OD
-	0K58-01062-0000	1	Lift Motor - 120/60
-	0017-00103-0285	2	Hardware: Nut 5/8" ID
-	0017-00003-0949	1	IEC Receptacle
-	AK58-00220-0000	1	LIFT-FRAME ASSY: MFG. C
-	0017-00007-0214	1	Hardware: Clevis Pin 3/8" D 1.75" L
-	0017-00042-1075	1	Vinyl Cap
-	0017-00101-1612	2	Hardware: Phillips Screw 0.5"
-	0K58-01071-0000	2	Wheel
-	0017-00101-1723	5	Hardware: Phillips Pan Screw 0.375"
-	0K58-01322-0000	2	Lift Frame Pivot Cover
-	AK58-00514-0000	1	Receptacle Assembly
-	0K58-01419-0000	1	Line Cord Socket Bracket
-	0017-00104-0189	2	Hardware: Flat Washer 1" OD
-	0017-00101-1777	2	Hardware: Lift Frame Mounting Bolt 2.75"

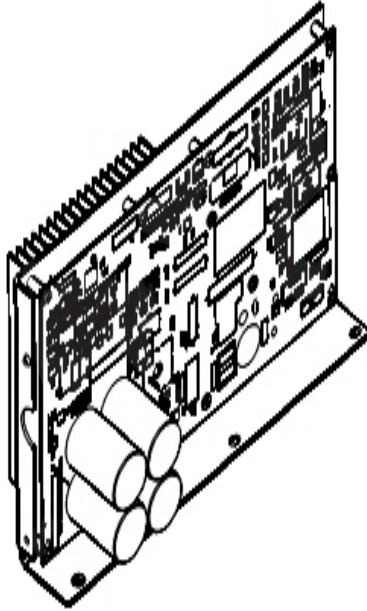
Line Cords and Line Cord Options

Ref #	Part Number	Qty	Description
-	0017-00003-0980	1	Line Cord: US Low Voltage 144"
-	0017-00003-0915	1	Line Cord RT Angle Plug
-	0017-00003-0947	1	Line Cord: 120V; 20A; 12'
-	0017-00003-0974	1	Line Cord: 120V: 8'

Miscellaneous

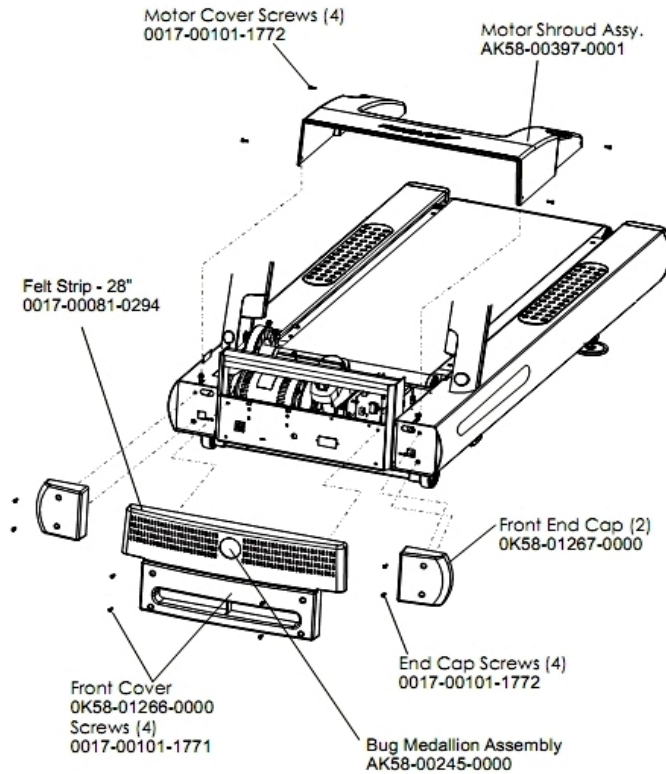
Ref #	Part Number	Qty	Description
-	0017-00008-0204	1	Paint Spray Can - Arctic Silver
-	AK58-00226-0000	1	Hardware Bag
-	M051-00K58-A160	1	Installation Video
-	0017-00021-2810	1	F-Type Right Angle Adaptor
-	0017-00008-0206	1	.33oz Pen - Arctic Silver
-	AK58-00329-0000	1	Access Panel Assembly
-	0K58-01392-0000	1	Plate: Connector
-	AK32-00020-0002	1	Coax Cable: 120"
-	0017-00008-0205	1	5 oz Bottle - Arctic Silver
-	0017-00021-2846	1	F-Type Panel Connector

Motor Controller Assembly



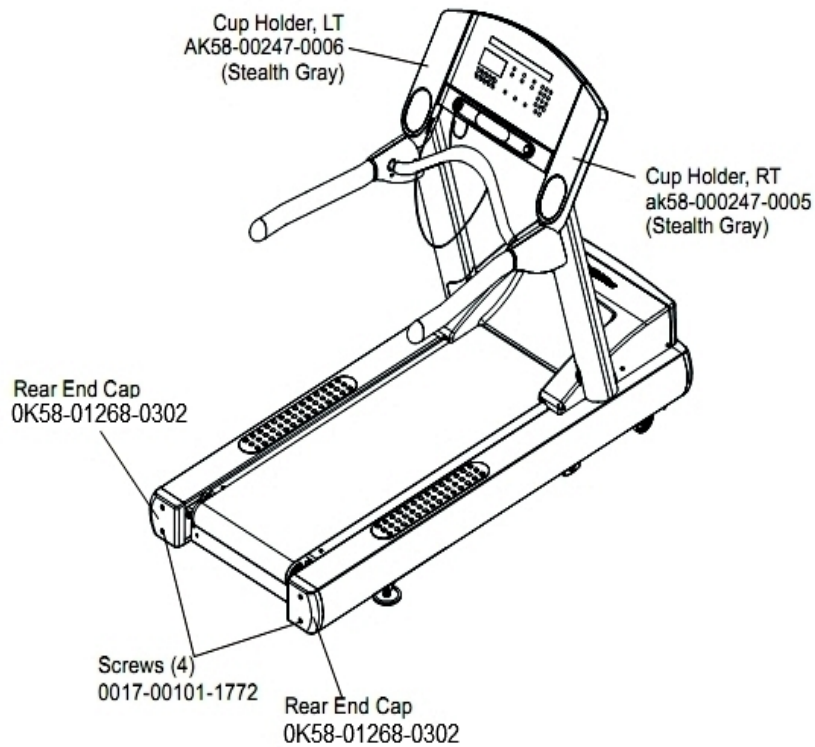
Ref #	Part Number	Qty	Description
-	AK58-00522-0000	1	Cable: Jumper; Power; LED Console
-	AK65-00071-0007	1	DSP Motor Controller with Cable(100-120V)

Motor Cover, Front Cover and Front End Caps



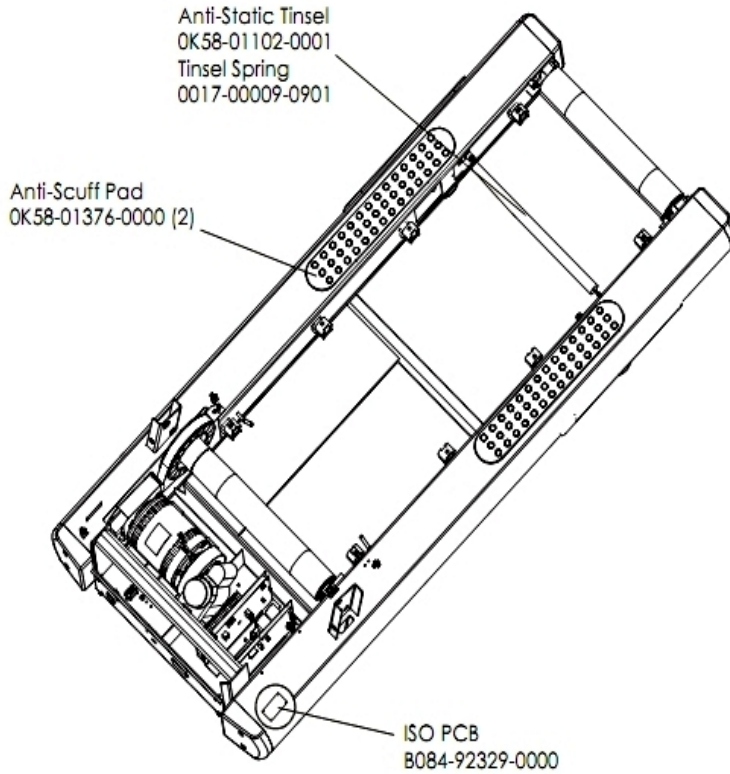
Ref #	Part Number	Qty	Description
-	AK58-00245-0000	1	Bug Medallion
-	0017-00101-1772	8	Hardware: Phillips Pan Screw 0.5"
-	OK58-01266-0000	1	Front Cover
-	AK58-00397-0001	1	Motor Shroud Assembly
-	0017-00101-1771	4	Hardware: Phillips Pan Screw
-	0017-00081-0294	1	Felt Strip - 28"
-	OK58-01267-0000	2	End Cap

Rear End Caps and Cup Holders



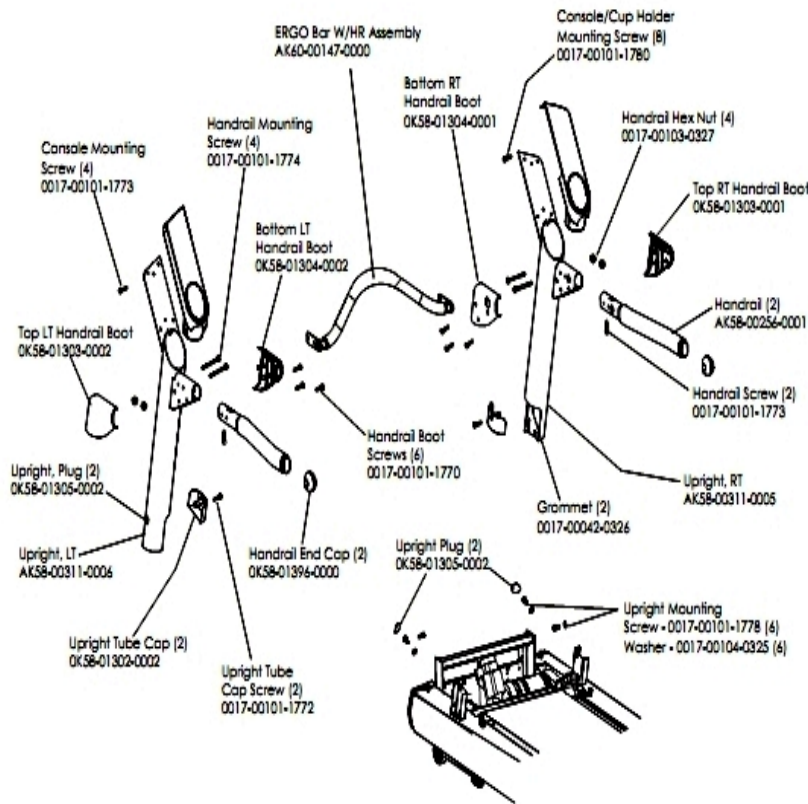
Ref #	Part Number	Qty	Description
-	AK58-00247-0005	1	Cup Holder Right
-	0017-00101-1772	4	Hardware: Phillips Pan Screw 0.5"
-	OK58-01268-0302	2	ENDCAP: REAR; STEALTH D
-	AK58-00247-0006	1	Cup Holder Left

Scuff Pad, Tinsel and Frame Tag Board



Ref #	Part Number	Qty	Description
-	OK58-01376-0000	2	Anti-Scuff Pad
-	OK58-01102-0001	1	Anti-Static Tinsel
-	B084-92329-0000	1	PCB-ASSY: STRIDE SENSE ISO
-	0017-00009-0901	1	Tinsel Extension Spring

Uprights and Handrails



Ref #	Part Number	Qty	Description
-	0017-00101-1770	6	Hardware: Phillips Pan Screw 0.5"
-	0017-00101-1780	8	Hardware: Mounting Screws
-	0017-00101-1778	6	Hardware: Hex Bolt 1"
-	AK58-00311-0006	1	Upright: Left
-	OK58-01303-0002	1	Top Left Handrail Boot
-	OK58-01304-0001	1	Bottom Right Handrail Boot
-	0017-00104-0325	6	Hardware: Washer 0.873" OD
-	0017-00101-1772	2	Hardware: Phillips Pan Screw 0.5"
-	OK58-01303-0001	1	Top Right Handrail Boot
-	0017-00101-1773	6	Hardware: TORX Screw 0.5"
-	0017-00042-0326	2	Hardware: Plastic Grommet
-	0017-00103-0327	4	Hardware: Hex Nut 5/16" ID
-	OK58-01302-0103	2	Cap: Upright Tube; Arctic Silver
-	OK58-01305-0002	4	Upright Plug
-	AK58-00256-0001	2	Handrail
-	AK58-00311-0005	1	Upright: Right
-	AK60-00147-0000	1	ERGO Bar with Heart Rate Sensor
-	0017-00101-1774	4	Hardware: TORX Screw 2.5"
-	OK58-01396-0000	2	Endcap

