

Classic Treadmill - Spanish High VT

CLST-0401-01

Parts Manual

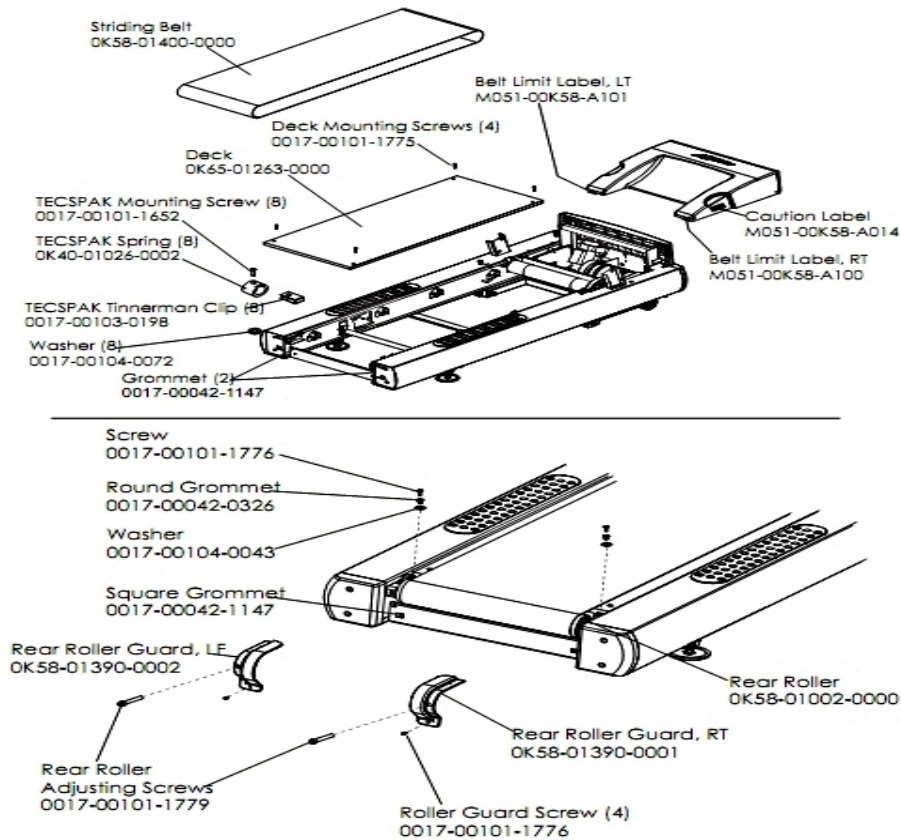
1/5/2019 12:42:17 PM



Table of Contents

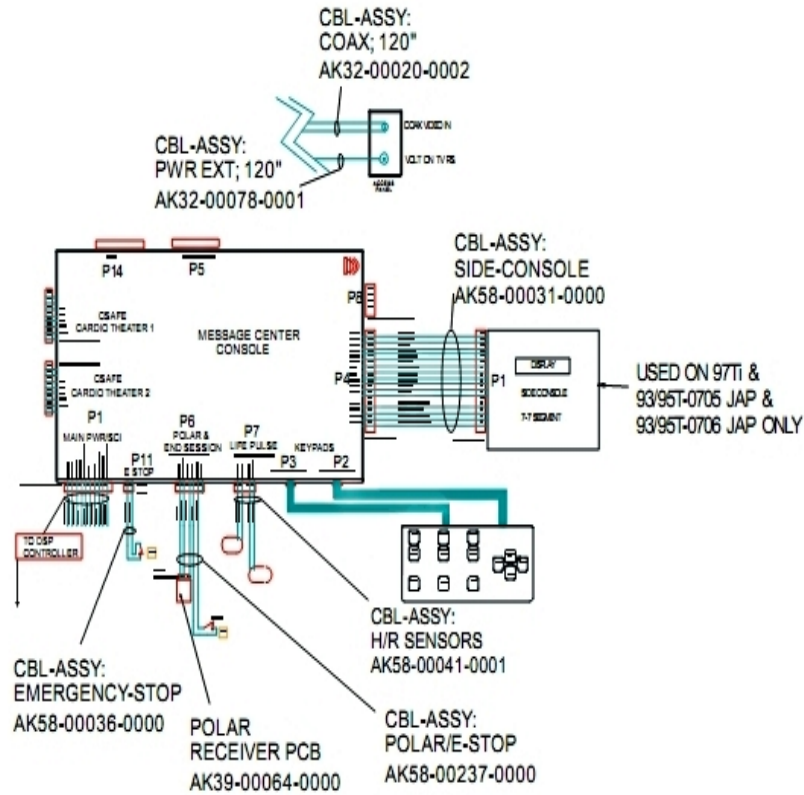
Belt, Deck and Rear Roller.....	3
Block Diagram 1.....	4
Block Diagram 2.....	5
Block Diagram 3.....	6
Console and Related Components.....	7
Drive Motor Assembly.....	8
Ergo Bar with Heart Rate Assembly.....	9
Front Roller Assembly.....	10
Idle Arm Assembly and Static Brush.....	11
Leveler Assembly.....	12
Lift Frame, Lift Motor and IEC Receptacle.....	13
Line Cords and Line Cord Options.....	14
Miscellaneous.....	15
Motor Controller Assembly.....	16
Motor Cover, Front Cover and Front End Caps.....	17
Rear End Caps and Cup Holders.....	18
Scuff Pad, Tinsel and Frame Tag Board.....	19
Uprights and Handrails.....	20

Belt, Deck and Rear Roller



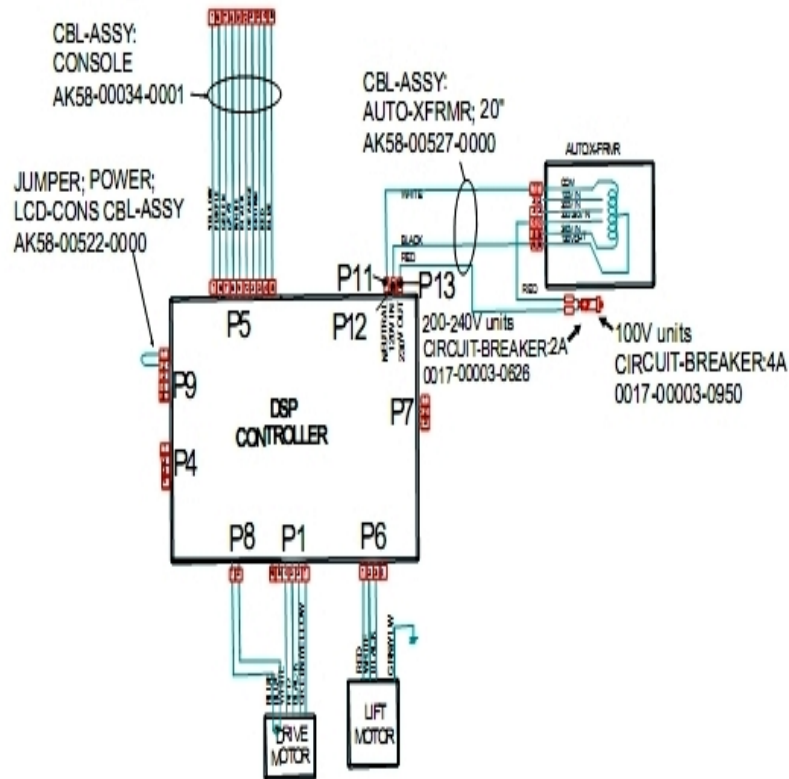
Ref #	Part Number	Qty	Description
-	0017-00103-0198	8	Hardware: Tinnerman Clip 1/4" ID
-	OK58-01002-0000	1	Rear Roller - 3.5"
-	M051-00K58-A100	1	Label: Belt Limit: Right
-	0017-00104-0072	8	Hardware: Flat Washer 0.562" OD
-	OK58-01390-0001	1	Rear Roller Guard Right
-	0017-00104-0043	2	Hardware: Flat Washer 0.734" OD
-	OK58-01400-0000	1	Striding Belt
-	0017-00101-1652	8	Hardware: Spring Mounting Screw 1"
-	0017-00042-1147	4	Hardware: Nylon Grommet
-	0017-00042-0326	2	Hardware: Plastic Grommet
-	OK65-01263-0000	1	Deck
-	OK40-01026-0002	8	Deck Spring
-	0017-00101-1775	4	Hardware: Deck Screws 1.25"
-	M051-00K58-A101	1	Belt Limit Label. Left
-	0017-00101-1776	6	Hardware: Mounting Screw 0.5"
-	0017-00101-1779	2	Hardware: Rear Roller Adjusting Bolt
-	M051-00K58-A014	1	Label: Caution
-	OK58-01390-0002	1	Rear Roller Guard Left

Block Diagram 1



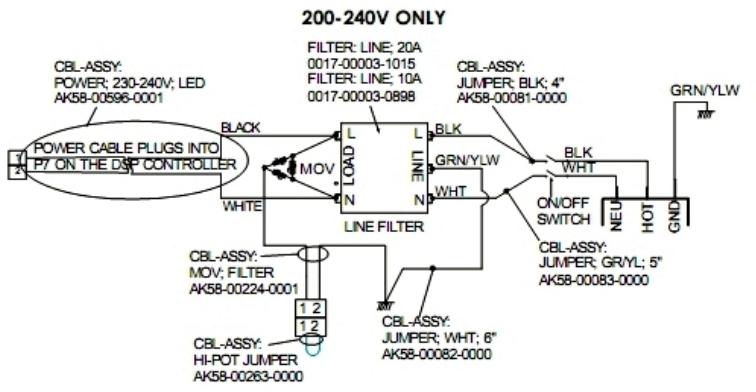
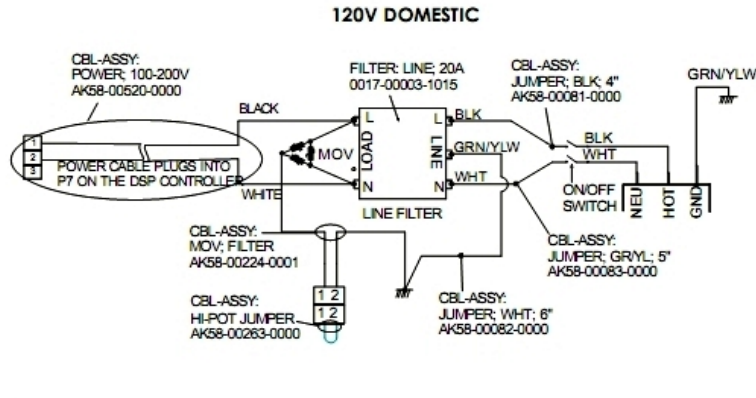
Ref #	Part Number	Qty	Description
-	118E-00001-0259	1	Wireless Receiver Module, Non-Coded
-	AK32-00078-0001	1	Power Extension Cable: 120"
-	AK58-00036-0000	1	Cable-Assembly: Emergency-Stop Switch
-	AK58-00237-0000	1	Cable-Assembly: Polar/E-Stop
-	AK58-00031-0000	1	Side Console Cable Assembly
-	AK32-00020-0002	1	Coax Cable: 120"
-	AK58-00041-0001	1	Heart Rate Sensor Cable

Block Diagram 2



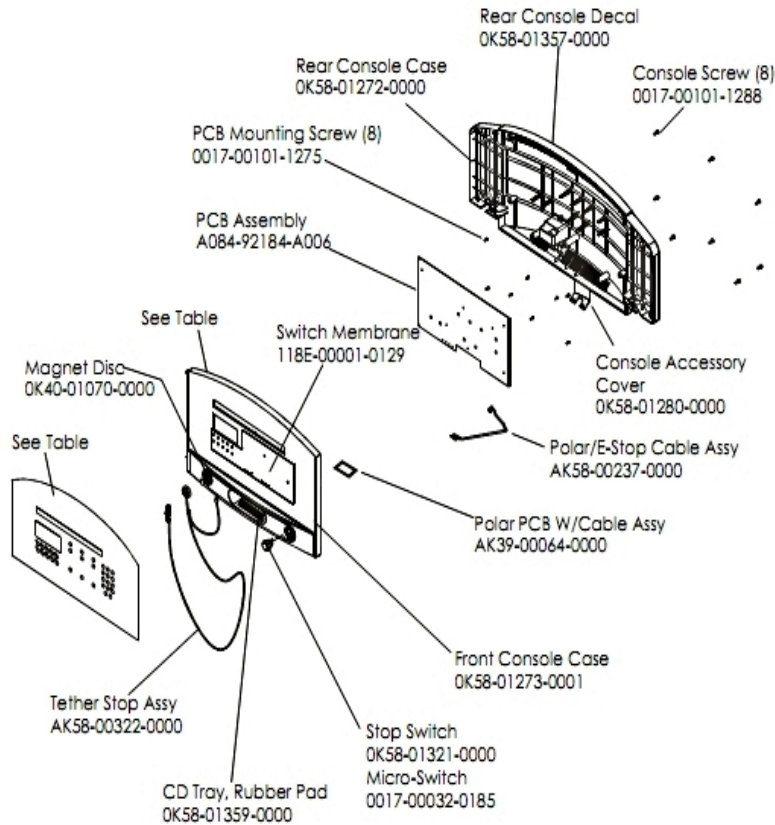
Ref #	Part Number	Qty	Description
-	AK58-00522-0000	1	Cable: Jumper; Power; LED Console
-	AK58-00034-0001	1	Console Power Cable
-	0017-00003-0626	1	CIRCUIT-BREAKER:2A 200-240V
-	AK58-00527-0000	1	Auto-Transformer: Use on High Voltage

Block Diagram 3



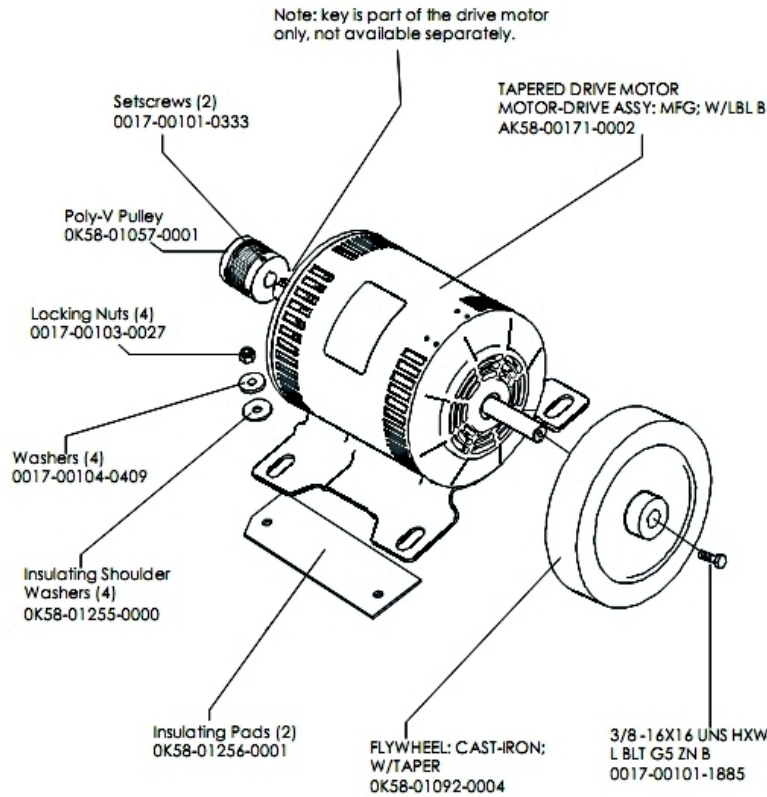
Ref #	Part Number	Qty	Description
-	AK58-00082-0000	1	Jumper Cable Assembly: White - 6"
-	AK58-00224-0001	1	Cable: MOV; Fliter
-	AK58-00596-0001	1	Power Cable: 230-240V
-	AK58-00263-0000	1	Hi-Pot Jumper Cable
-	AK58-00081-0000	1	Jumper Cable Assembly: Black - 4"
-	0017-00003-1015	1	20 amp Line Filter (DOM)
-	AK58-00083-0000	1	Cable Assembly
-	0017-00003-0898	1	10 amp Line Filter (INT)

Console and Related Components



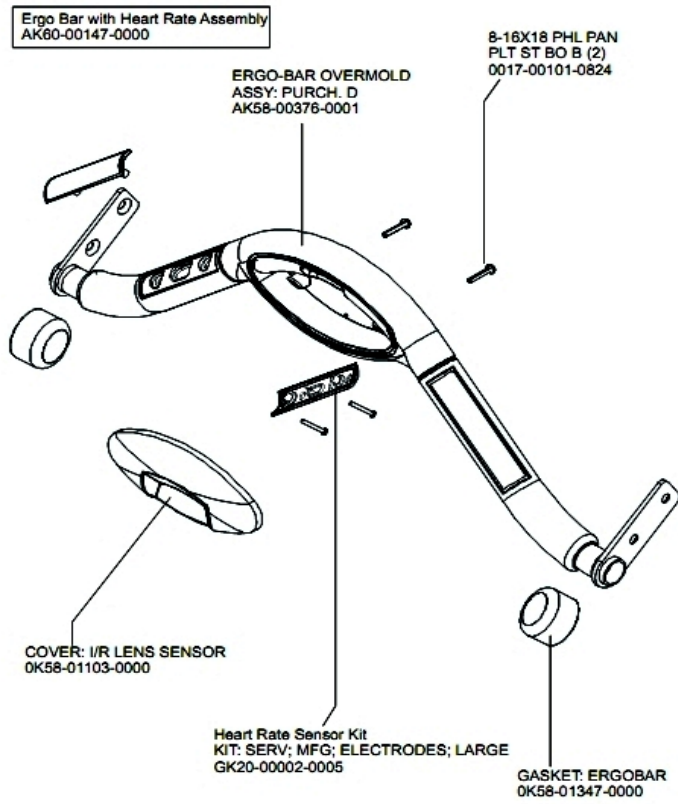
Ref #	Part Number	Qty	Description
-	0017-00032-0185	1	Micro Switch 150GR
-	AK58-00237-0000	1	Cable-Assembly: Polar/E-Stop
-	OK58-01298-0004	1	Console Spanish
-	OK58-01359-0000	1	Rubber Pad
-	0017-00101-1275	8	Hardware: Phillips Screw 0.375"
-	0017-00101-1288	8	Hardware: Phillips Screw 0.5"
-	OK58-01357-0000	1	Decal
-	OK40-01070-0000	1	Magnetic Disk
-	118E-00001-0259	1	Wireless Receiver Module, Non-Coded
-	OK58-01321-0000	1	Stop Switch
-	118E-00001-0129	1	Switch Membrane
-	A084-92184-A006	1	PCB Assembly
-	AK58-00580-0004	1	Console: Spanish/Metric
-	OK58-01272-0000	1	Rear Console Case
-	AK58-00322-0000	1	Tether Stop Assembly
-	OK58-01273-0001	1	Front Console Case
-	OK58-01280-0000	1	Accessory Cover

Drive Motor Assembly



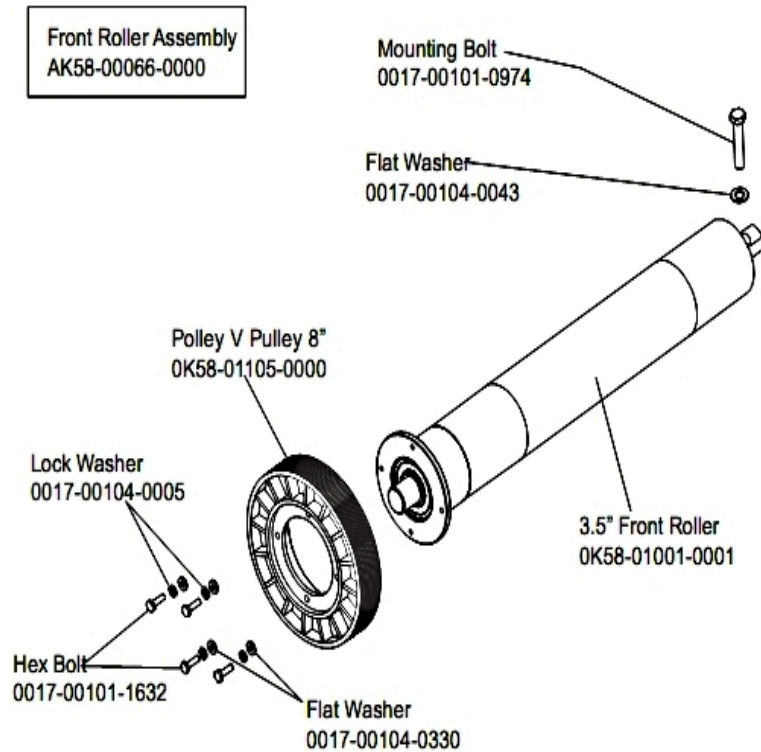
Ref #	Part Number	Qty	Description
-	OK58-01092-0004	1	Cast Iron Flywheel
-	0017-00101-0333	2	Hardware: Screw 0.3125"
-	OK58-01256-0001	2	Insulating Pad
-	0017-00103-0027	4	Hardware: Locking Nut. 5/16" ID
-	OK58-01255-0000	4	Hardware: Insulating Washers
-	OK58-01386-0004	1	MOTOR: MAIN DRIVE, 230V/50HZ, W/TAPER
-	0017-00104-0409	4	Hardware: Washer 1.125" OD
-	0017-00101-1885	1	Hardware: Hex Bolt 1"
-	OK58-01057-0001	1	Drive Pulley - 1.971"

Ergo Bar with Heart Rate Assembly



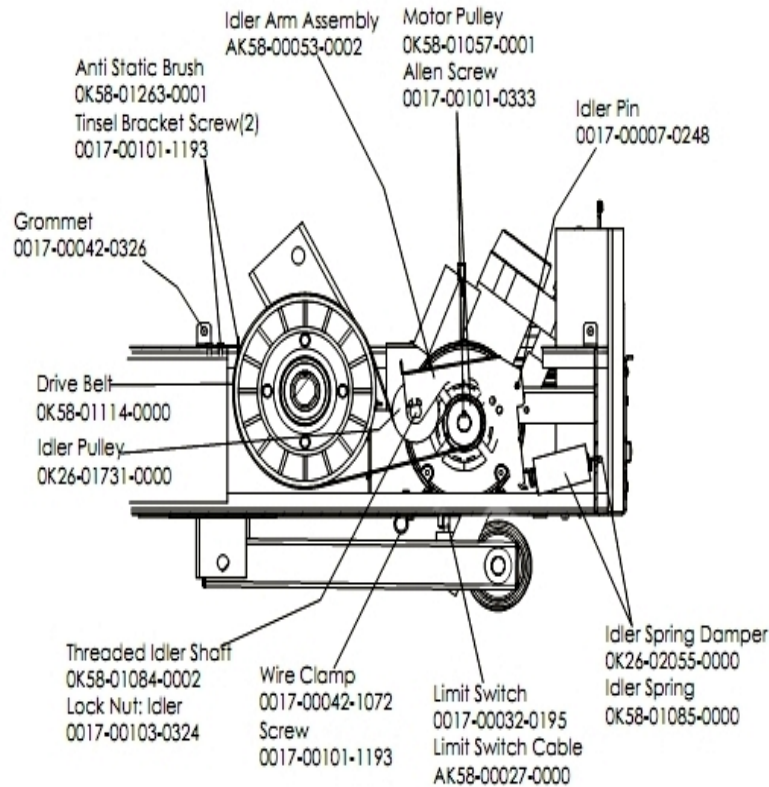
Ref #	Part Number	Qty	Description
-	GK20-00002-0005	2	Heart Rate Electrode Kit
-	AK58-00376-0001	1	Ergo-Bar Overmold Assembly
-	AK58-00064-0000	1	I/R Lens Cover Assembly
-	OK58-01347-0000	2	ErgoBar Gasket
-	0017-00101-0824	2	Hardware: Screw 1.125"
-	AK60-00147-0000	1	ERGO Bar with Heart Rate Sensor

Front Roller Assembly



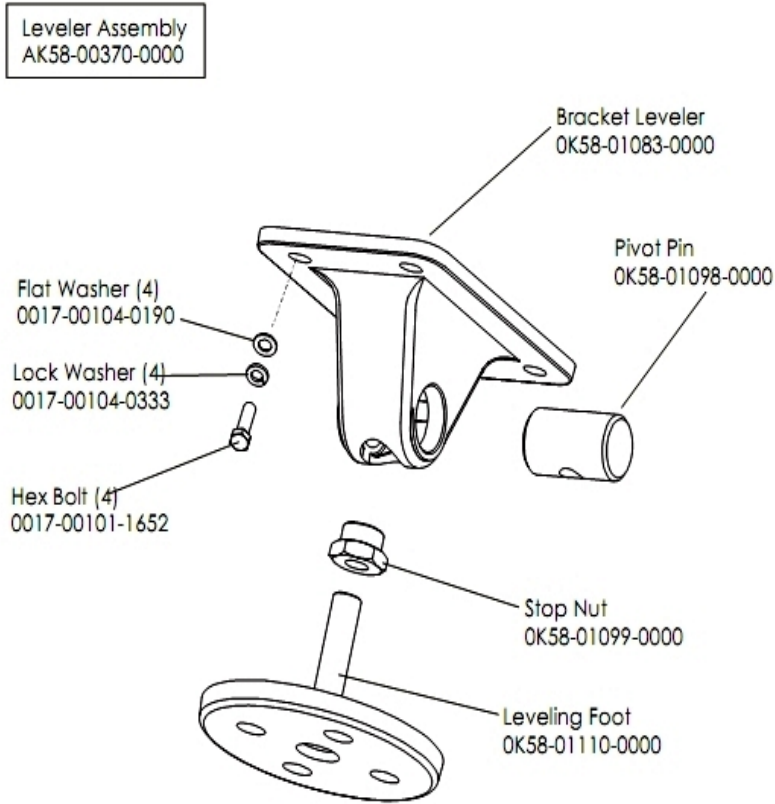
Ref #	Part Number	Qty	Description
-	0017-00104-0330	4	Hardware: Flat Washers 0.562" OD
-	AK58-00066-0000	1	Front Roller Assembly
-	0017-00101-1632	4	Hardware: Hex Bolt 0.875"
-	0017-00101-0974	1	Hardware: Mounting Bolt 2"
-	0017-00104-0043	1	Hardware: Flat Washer 0.734" OD
-	0017-00104-0005	4	Hardware: Lock Washer 0.489" OD
-	0K58-01001-0001	1	Front Roller - 3.5"
-	0K58-01105-0000	1	Drive Pulley Poly V - 8"

Idler Arm Assembly and Static Brush



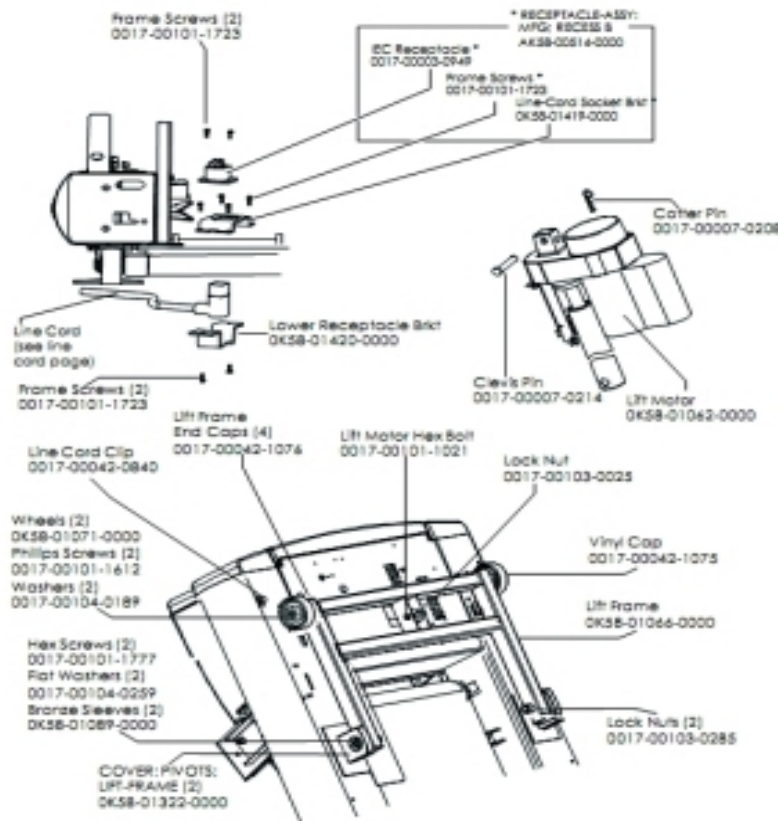
Ref #	Part Number	Qty	Description
-	OK58-01084-0002	1	Threaded Shaft
-	0017-00103-0324	1	Hardware: Thin Lock Nut 3/8" ID
-	AK58-00053-0002	1	Idler Arm Assembly
-	AK58-00027-0000	1	Limit Switch Cable
-	OK26-01731-0000	1	Plastic Idler 2 5/8" OD
-	OK26-02055-0000	1	Spring Damper
-	OK58-01057-0001	1	Drive Pulley - 1.971"
-	0017-00007-0248	1	Hardware: Locking Pin .31" D 2.125" L
-	0017-00042-0326	1	Hardware: Plastic Grommet
-	0017-00101-1193	3	Hardware: Screw 0.375"
-	OK58-01114-0000	1	Poly-V Drive Belt - 370J12
-	0017-00032-0195	1	Home Switch
-	0017-00042-1072	1	Hardware: Wire Clamp - 5/8"
-	OK58-01085-0000	1	Extension Spring
-	OK58-01263-0001	1	Tinsel Bracket
-	0017-00101-0333	1	Hardware: Screw 0.3125"

Leveler Assembly



Ref #	Part Number	Qty	Description
-	OK58-01098-0000	1	Hardware: Pivot Pin
-	OK58-01099-0000	1	Hardware: Stop Nut
-	0017-00104-0333	4	Hardware: Washer 0.683" OD
-	0017-00104-0190	4	Hardware: Flat Washer 0.734" OD
-	OK58-01083-0000	1	Leveler Bracket
-	0017-00101-1652	4	Hardware: Spring Mounting Screw 1"
-	OK58-01110-0000	1	Leveler Foot
-	AK58-00370-0000	1	Leveler Assembly

Lift Frame, Lift Motor and IEC Receptacle



Ref #	Part Number	Qty	Description
-	AK58-00220-0000	1	LIFT-FRAME ASSY: MFG. C
-	0017-00007-0214	1	Hardware: Clevis Pin 3/8" D 1.75" L
-	0017-00042-1075	1	Vinyl Cap
-	0017-00101-1612	2	Hardware: Phillips Screw 0.5"
-	0K58-01071-0000	2	Wheel
-	0K58-01322-0000	2	Lift Frame Pivot Cover
-	0017-00042-1076	4	Lift Frame End Cap
-	0017-00103-0285	2	Hardware: Nut 5/8" ID
-	0K58-01062-0000	1	Lift Motor - 120/60
-	0017-00104-0259	2	Hardware: Washer 1.331" OD
-	0017-00103-0025	1	Hardware: Locking Nut 3/8" ID
-	0017-00101-1021	1	Hardware: Lift Motor Hex Bolt 2.5"
-	0K58-01420-0000	1	Lower Receptacle Bracket
-	0K58-01419-0000	1	Line Cord Socket Bracket
-	0017-00104-0189	2	Hardware: Flat Washer 1" OD
-	0017-00007-0208	1	Hardware: Cotter Pin
-	0017-00101-1777	2	Hardware: Lift Frame Mounting Bolt 2.75"
-	0K58-01089-0000	2	Bronze Sleeve Bushings
-	0017-00042-0840	1	Hardware: Push Mount Clip
-	0017-00101-1723	5	Hardware: Phillips Pan Screw 0.375"
-	AK58-00514-0000	1	Receptacle Assembly
-	0017-00003-0949	1	IEC Receptacle

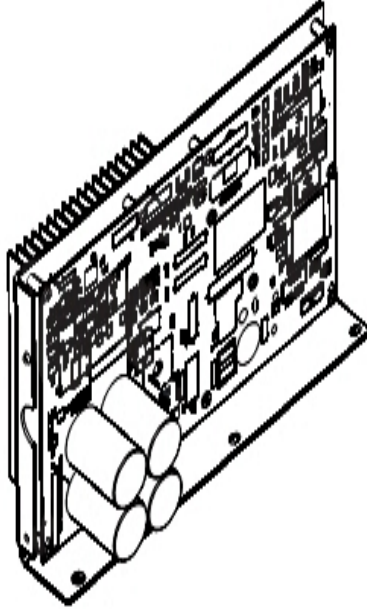
Line Cords and Line Cord Options

Ref #	Part Number	Qty	Description
-	0017-00003-0980	1	Line Cord: US Low Voltage 144"
-	0017-00003-0948	1	12' 220v Line Cord
-	0017-00003-0696	1	Line Cord: International High Voltage (Cont.) 103"

Miscellaneous

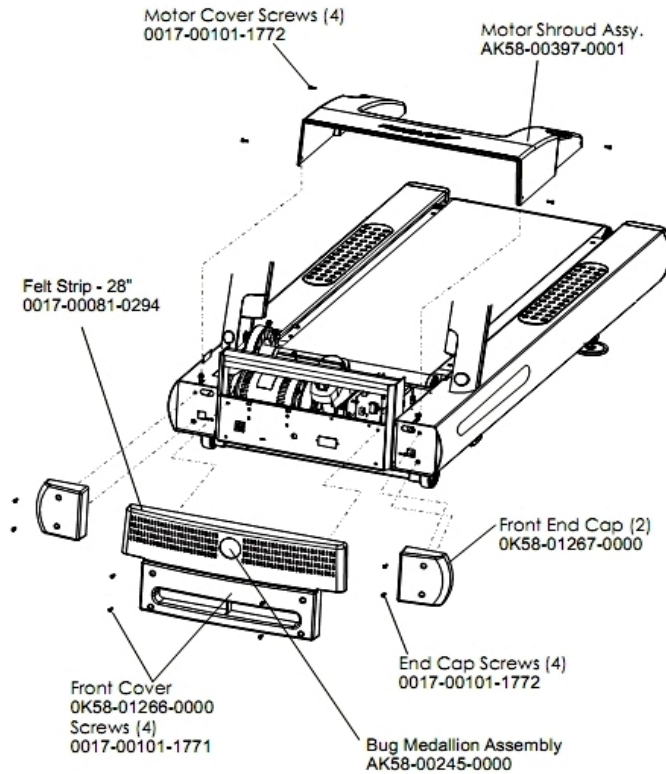
Ref #	Part Number	Qty	Description
-	0017-00021-2846	1	F-Type Panel Connector
-	0017-00008-0205	1	5 oz Bottle - Arctic Silver
-	AK32-00020-0002	1	Coax Cable: 120"
-	0K58-01392-0000	1	Plate: Connector
-	AK58-00226-0000	1	Hardware Bag
-	AK58-00329-0000	1	Access Panel Assembly
-	0017-00008-0206	1	.33oz Pen - Arctic Silver
-	0017-00021-2810	1	F-Type Right Angle Adaptor
-	M051-00K58-A160	1	Installation Video
-	0017-00008-0204	1	Paint Spray Can - Arctic Silver

Motor Controller Assembly



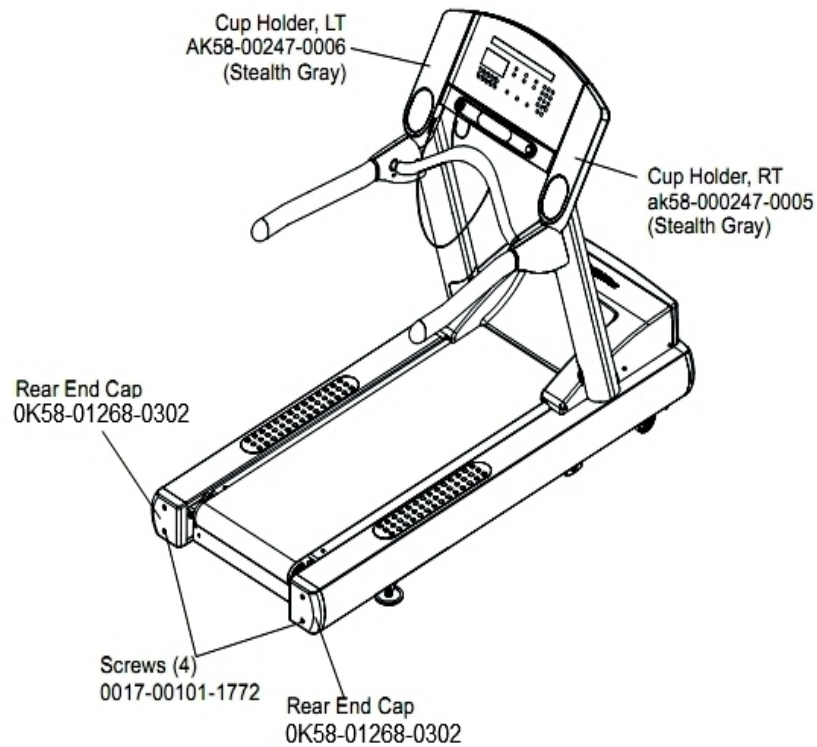
Ref #	Part Number	Qty	Description
-	AK58-00210-0000	1	Transformer-Bracket Assembly
-	AK65-00071-0009	1	DSP Controller 200-240
-	AK58-00522-0000	1	Cable: Jumper; Power; LED Console

Motor Cover, Front Cover and Front End Caps



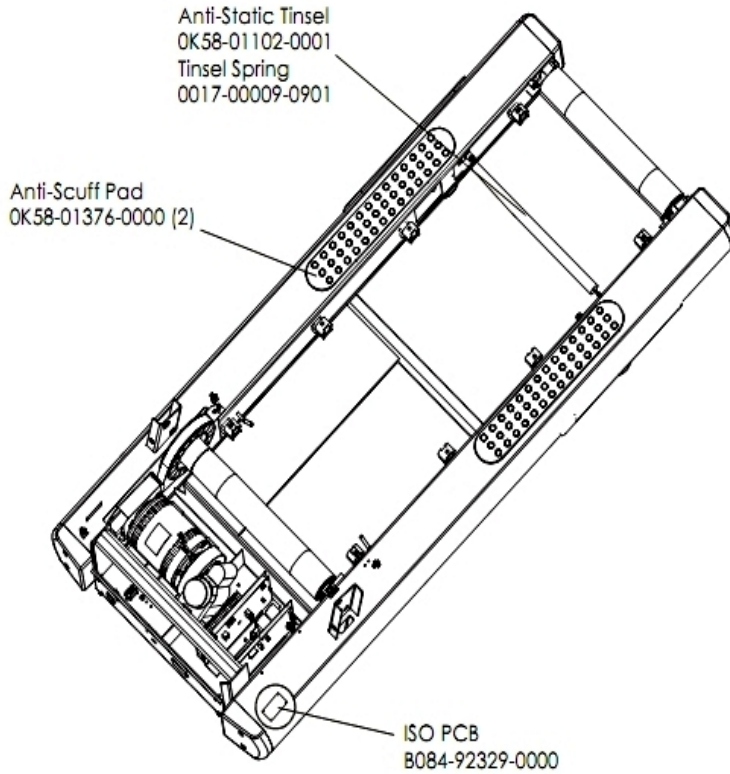
Ref #	Part Number	Qty	Description
-	0017-00101-1771	4	Hardware: Phillips Pan Screw
-	AK58-00245-0000	1	Bug Medallion
-	OK58-01266-0000	1	Front Cover
-	0017-00081-0294	1	Felt Strip - 28"
-	OK58-01267-0000	2	End Cap
-	0017-00101-1772	8	Hardware: Phillips Pan Screw 0.5"
-	AK58-00397-0001	1	Motor Shroud Assembly

Rear End Caps and Cup Holders



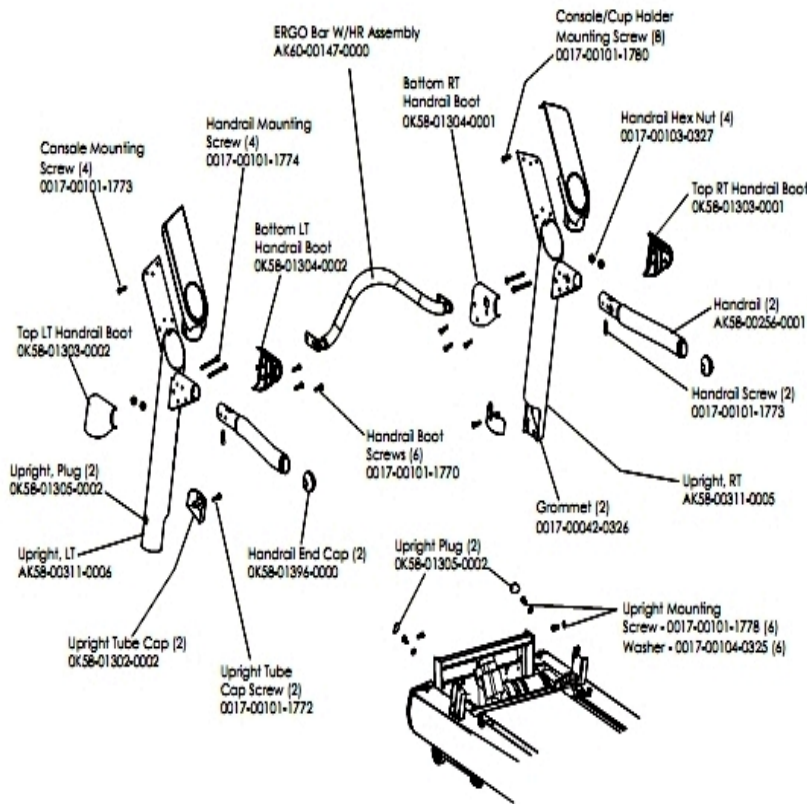
Ref #	Part Number	Qty	Description
-	AK58-00247-0006	1	Cup Holder Left
-	0017-00101-1772	4	Hardware: Phillips Pan Screw 0.5"
-	AK58-00247-0005	1	Cup Holder Right
-	OK58-01268-0302	2	ENDCAP: REAR; STEALTH D

Scuff Pad, Tinsel and Frame Tag Board



Ref #	Part Number	Qty	Description
-	0017-00009-0901	1	Tinsel Extension Spring
-	OK58-01102-0001	1	Anti-Static Tinsel
-	OK58-01376-0000	2	Anti-Scuff Pad
-	B084-92329-0000	1	PCB-ASSY: STRIDE SENSE ISO

Uprights and Handrails



Ref #	Part Number	Qty	Description
-	OK58-01396-0000	2	Endcap
-	0017-00101-1780	8	Hardware: Mounting Screws
-	0017-00101-1774	4	Hardware: TORX Screw 2.5"
-	AK60-00147-0000	1	ERGO Bar with Heart Rate Sensor
-	0017-00042-0326	2	Hardware: Plastic Grommet
-	AK58-00311-0005	1	Upright: Right
-	AK58-00256-0001	2	Handrail
-	OK58-01305-0002	4	Upright Plug
-	OK58-01302-0103	2	Cap: Upright Tube; Arctic Silver
-	0017-00103-0327	4	Hardware: Hex Nut 5/16" ID
-	0017-00101-1773	6	Hardware: TORX Screw 0.5"
-	OK58-01303-0001	1	Top Right Handrail Boot
-	0017-00101-1772	2	Hardware: Phillips Pan Screw 0.5"
-	0017-00104-0325	6	Hardware: Washer 0.873" OD
-	OK58-01304-0001	1	Bottom Right Handrail Boot
-	OK58-01303-0002	1	Top Left Handrail Boot
-	AK58-00311-0006	1	Upright: Left
-	0017-00101-1770	6	Hardware: Phillips Pan Screw 0.5"
-	0017-00101-1778	6	Hardware: Hex Bolt 1"

