

# Classic Series CLST Treadmill

CLST-2100-02

## Parts Manual

1/5/2019 12:43:44 PM



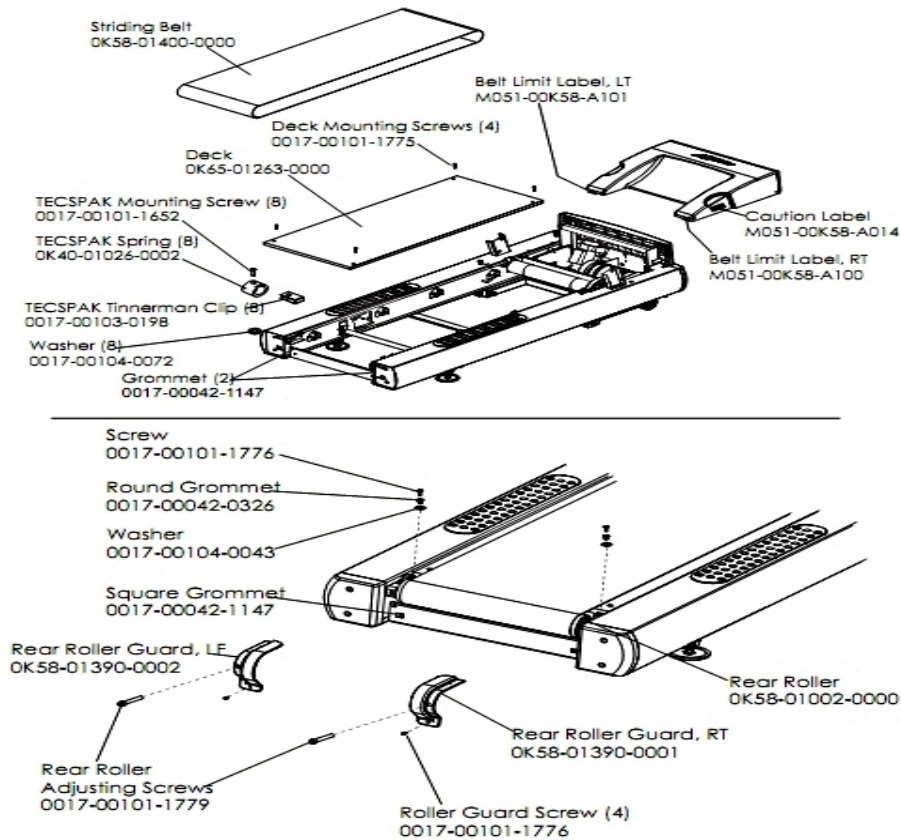
*LifeFitness*  
WHAT WE LIVE FOR

**Table of Contents**

---

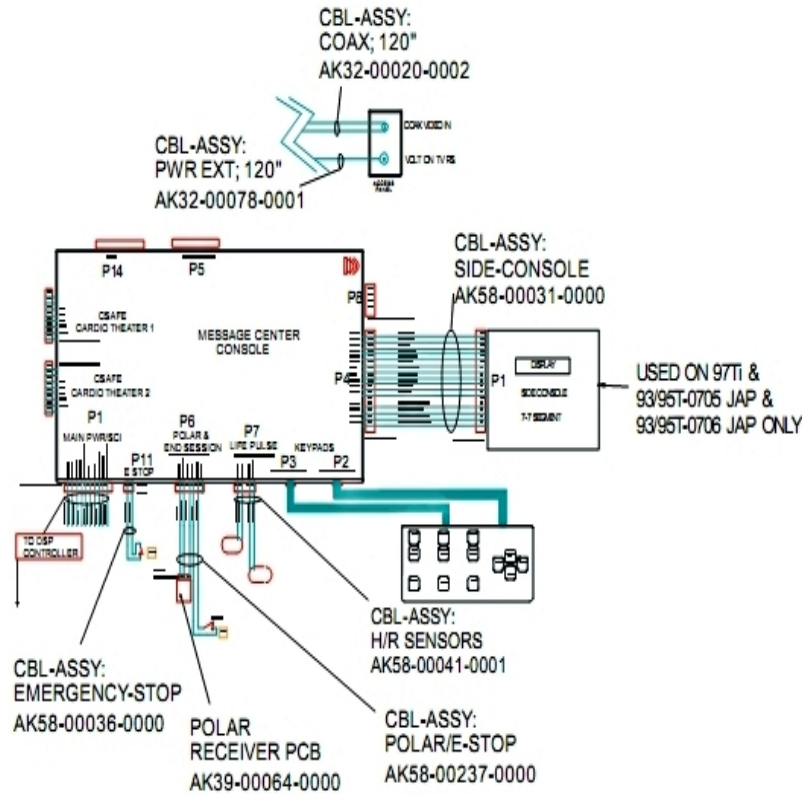
<a href="#">Belt, Deck And Rear Roller.....</a>	<a href="#">3</a>
<a href="#">Block Diagram 1.....</a>	<a href="#">4</a>
<a href="#">Block Diagram 2.....</a>	<a href="#">5</a>
<a href="#">Block Diagram 3.....</a>	<a href="#">6</a>
<a href="#">Console And Related Components.....</a>	<a href="#">7</a>
<a href="#">Drive Motor Assembly.....</a>	<a href="#">8</a>
<a href="#">Ergo Bar With Heart Rate Assembly.....</a>	<a href="#">9</a>
<a href="#">Front Roller Assembly.....</a>	<a href="#">10</a>
<a href="#">Idle Arm Assembly And Static Brush.....</a>	<a href="#">11</a>
<a href="#">Leveler Assembly.....</a>	<a href="#">12</a>
<a href="#">Lift Frame, Lift Motor And IEC Receptacle.....</a>	<a href="#">13</a>
<a href="#">Line Cords And Line Cord Options.....</a>	<a href="#">14</a>
<a href="#">Miscellaneous.....</a>	<a href="#">15</a>
<a href="#">Motor Controller Assembly.....</a>	<a href="#">16</a>
<a href="#">Motor Cover, Front Cover And Front End Caps.....</a>	<a href="#">17</a>
<a href="#">Rear End Caps And Cup Holders.....</a>	<a href="#">18</a>
<a href="#">Scuff Pad, Tinsel And Frame Tag Board.....</a>	<a href="#">19</a>
<a href="#">Uprights And Handrails.....</a>	<a href="#">20</a>

## Belt, Deck And Rear Roller



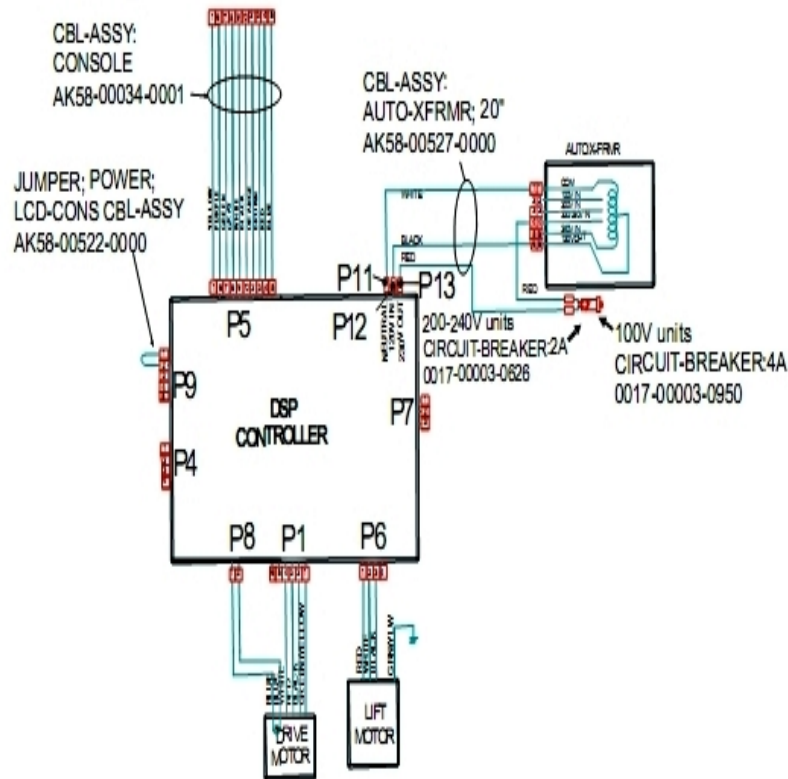
Ref #	Part Number	Qty	Description
-	0017-00103-0198	8	Hardware: Tinnerman Clip 1/4" ID
-	0017-00101-1775	4	Hardware: Deck Screws 1.25"
-	M051-00K58-A101	1	Belt Limit Label. Left
-	0017-00101-1776	6	Hardware: Mounting Screw 0.5"
-	OK58-01390-0001	1	Rear Roller Guard Right
-	0017-00101-1652	8	Hardware: Spring Mounting Screw 1"
-	0017-00042-1147	4	Hardware: Nylon Grommet
-	0017-00042-0326	2	Hardware: Plastic Grommet
-	M051-00K58-A014	1	Label: Caution
-	OK58-01390-0002	1	Rear Roller Guard Left
-	OK58-01002-0000	1	Rear Roller - 3.5"
-	0017-00104-0043	2	Hardware: Flat Washer 0.734" OD
-	OK58-01400-0000	1	Striding Belt
-	0017-00101-1779	2	Hardware: Rear Roller Adjusting Bolt
-	M051-00K58-A100	1	Label: Belt Limit: Right
-	0017-00104-0072	8	Hardware: Flat Washer 0.562" OD
-	OK65-01263-0000	1	Deck
-	OK40-01026-0002	8	Deck Spring

# Block Diagram 1



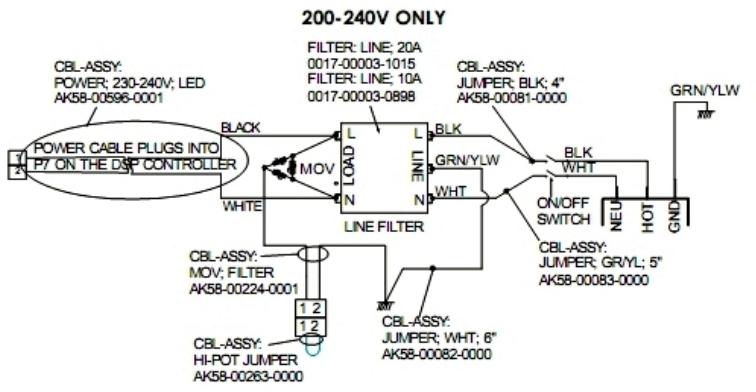
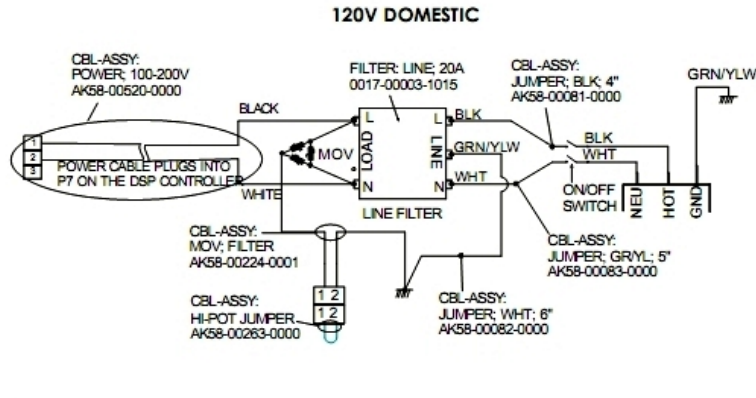
Ref #	Part Number	Qty	Description
-	AK58-00237-0000	1	Cable-Assembly: Polar/E-Stop
-	AK32-00078-0001	1	Power Extension Cable: 120"
-	AK58-00036-0000	1	Cable-Assembly: Emergency-Stop Switch
-	118E-00001-0259	1	Wireless Receiver Module, Non-Coded
-	AK58-00031-0000	1	Side Console Cable Assembly
-	AK58-00041-0001	1	Heart Rate Sensor Cable
-	AK32-00020-0002	1	Coax Cable: 120"

## Block Diagram 2



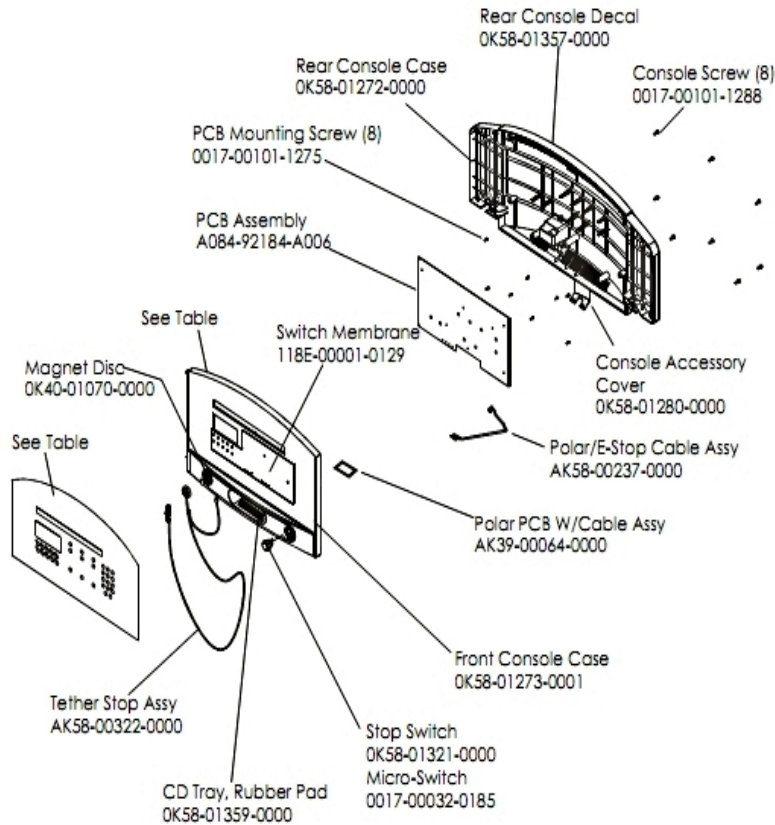
Ref #	Part Number	Qty	Description
-	AK58-00522-0000	1	Cable: Jumper; Power; LED Console
-	0017-00003-0950	1	100v 4 AMP Breaker
-	AK58-00034-0001	1	Console Power Cable
-	AK58-00527-0000	1	Auto-Transformer: Use on High Voltage
-	0017-00003-1015	1	20 amp Line Filter (DOM)

### Block Diagram 3



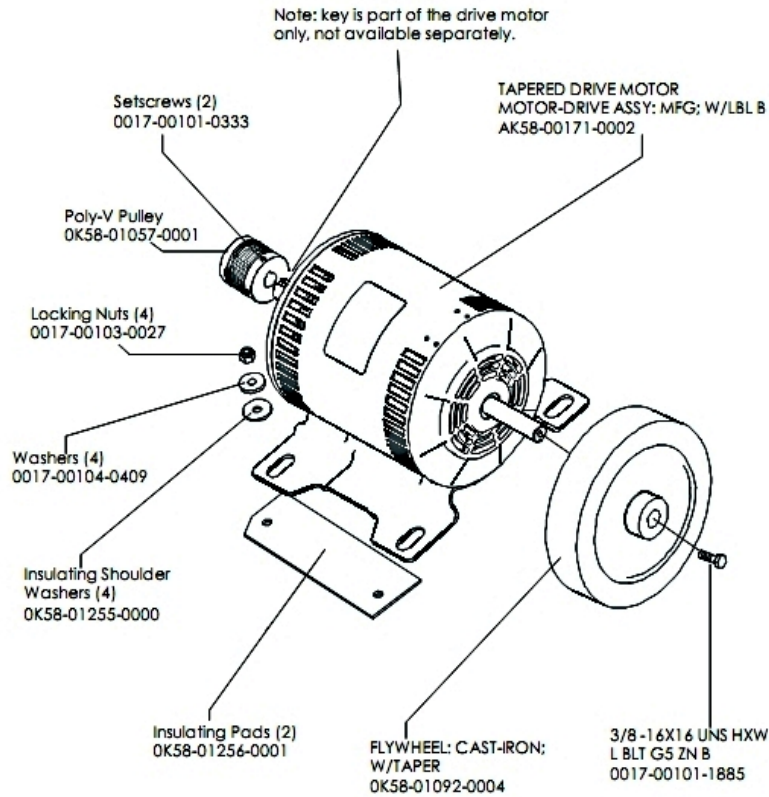
Ref #	Part Number	Qty	Description
-	0017-00003-1015	1	20 amp Line Filter (DOM)
-	AK58-00083-0000	1	Cable Assembly
-	AK58-00082-0000	1	Jumper Cable Assembly: White - 6"
-	AK58-00520-0000	1	Power Cable Assembly: 100-120V
-	AK58-00224-0001	1	Cable: MOV; Fliter
-	AK58-00081-0000	1	Jumper Cable Assembly: Black - 4"
-	AK58-00263-0000	1	Hi-Pot Jumper Cable

## Console And Related Components



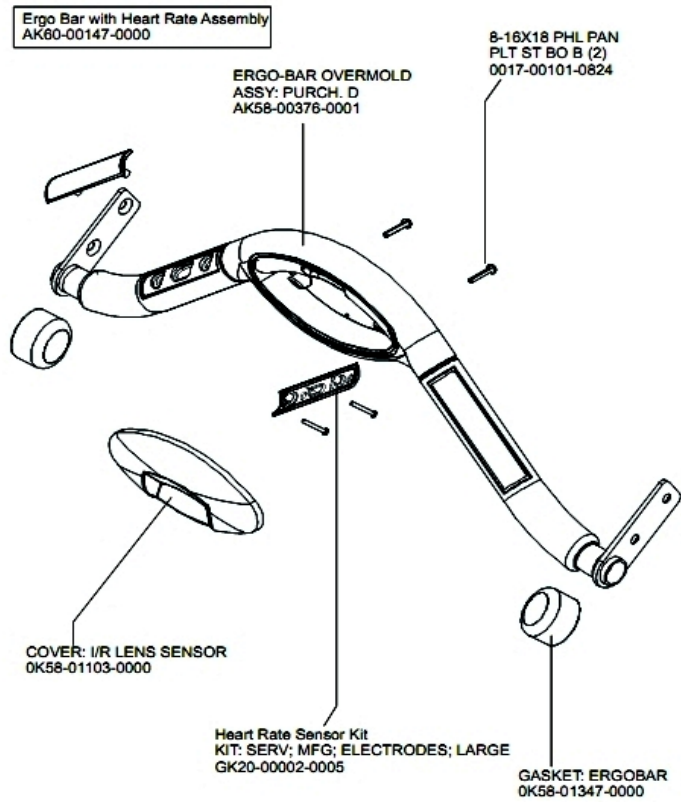
Ref #	Part Number	Qty	Description
-	OK58-01298-0001	1	Console English/Metric
-	OK58-01357-0000	1	Decal
-	118E-00001-0129	1	Switch Membrane
-	A084-92184-A006	1	PCB Assembly
-	AK58-00580-0001	1	Console: English/English
-	OK58-01273-0001	1	Front Console Case
-	AK58-00237-0000	1	Cable-Assembly: Polar/E-Stop
-	OK58-01359-0000	1	Rubber Pad
-	OK40-01070-0000	1	Magnetic Disk
-	118E-00001-0259	1	Wireless Receiver Module, Non-Coded
-	0017-00032-0185	1	Micro Switch 150GR
-	OK58-01280-0000	1	Accessory Cover
-	OK58-01272-0000	1	Rear Console Case
-	AK58-00322-0000	1	Tether Stop Assembly
-	0017-00101-1275	8	Hardware: Phillips Screw 0.375"
-	0017-00101-1288	8	Hardware: Phillips Screw 0.5"
-	OK58-01321-0000	1	Stop Switch

# Drive Motor Assembly



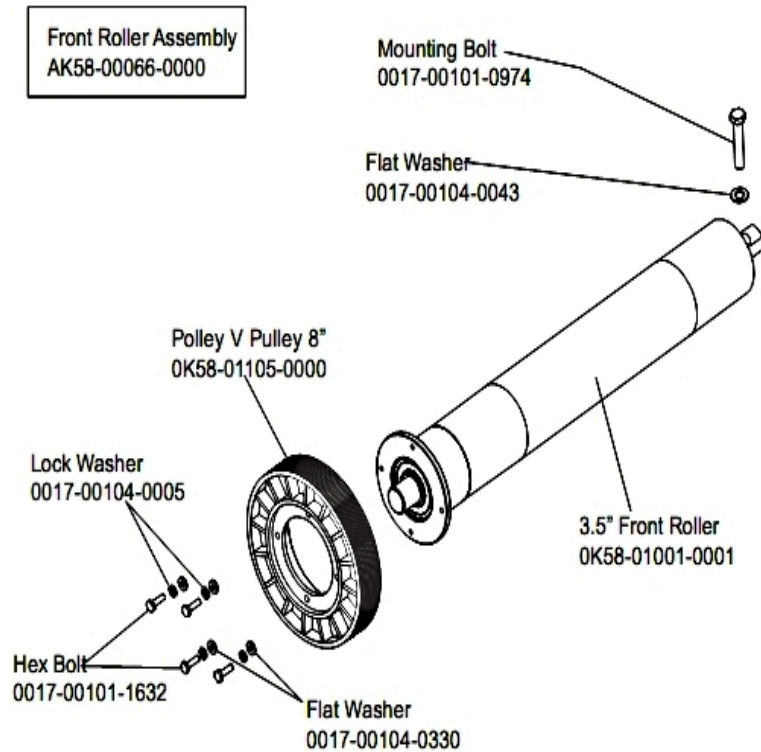
Ref #	Part Number	Qty	Description
-	0017-00103-0027	4	Hardware: Locking Nut. 5/16" ID
-	OK58-01057-0001	1	Drive Pulley - 1.971"
-	0017-00101-1885	1	Hardware: Hex Bolt 1"
-	OK58-01255-0000	4	Hardware: Insulating Washers
-	OK58-01256-0001	2	Insulating Pad
-	OK58-01386-0004	1	MOTOR: MAIN DRIVE, 230V/50HZ, W/TAPER
-	0017-00104-0409	4	Hardware: Washer 1.125" OD
-	0017-00101-0333	2	Hardware: Screw 0.3125"
-	OK58-01092-0004	1	Cast Iron Flywheel

## Ergo Bar With Heart Rate Assembly



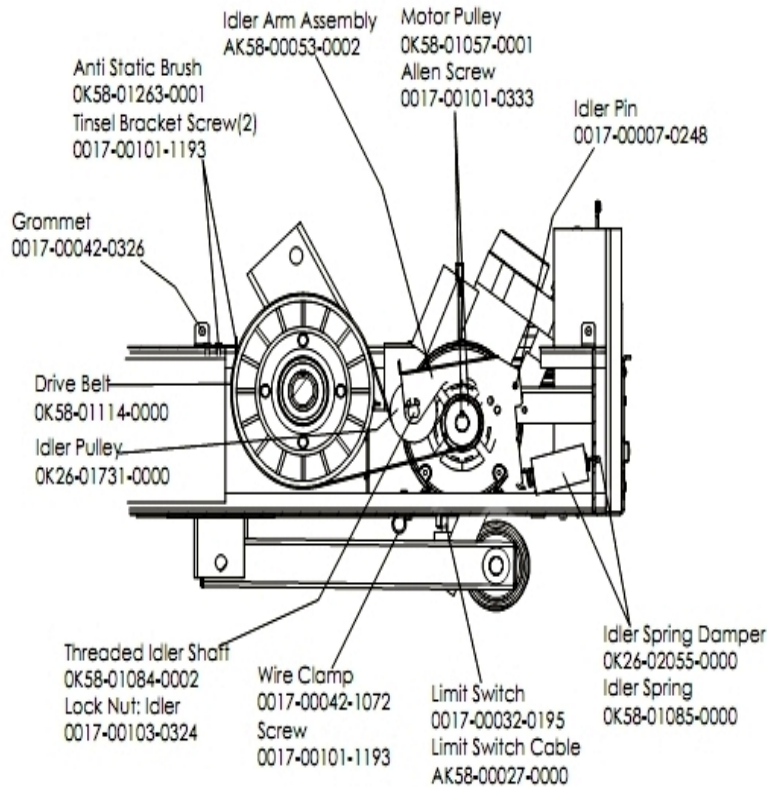
Ref #	Part Number	Qty	Description
-	AK58-00064-0000	1	I/R Lens Cover Assembly
-	GK20-00002-0005	2	Heart Rate Electrode Kit
-	0017-00101-0824	2	Hardware: Screw 1.125"
-	AK60-00147-0000	1	ERGO Bar with Heart Rate Sensor
-	AK58-00376-0001	1	Ergo-Bar Overmold Assembly
-	OK58-01347-0000	2	ErgoBar Gasket

## Front Roller Assembly



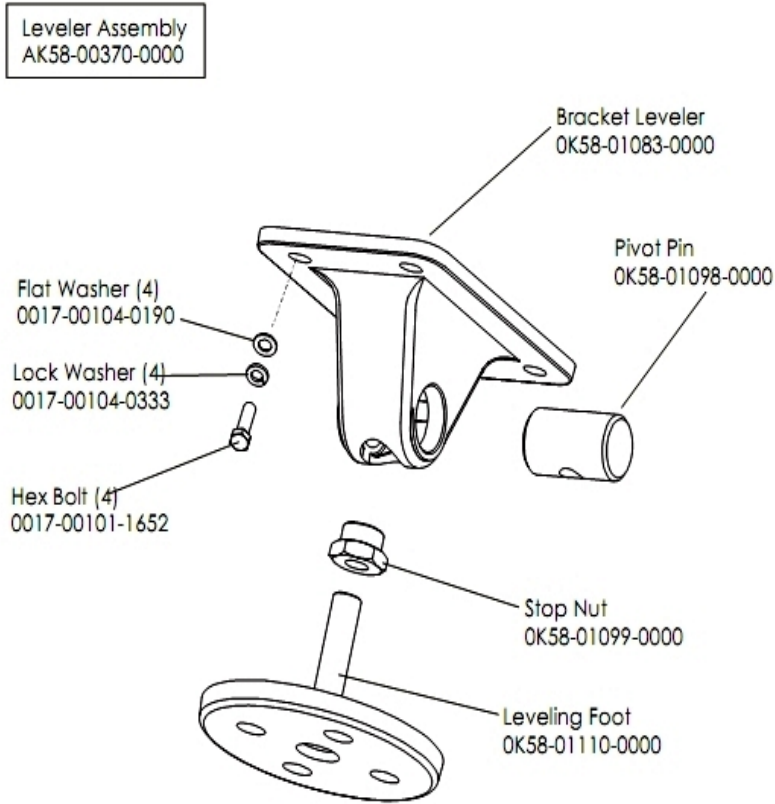
Ref #	Part Number	Qty	Description
-	0017-00101-0974	1	Hardware: Mounting Bolt 2"
-	0017-00104-0043	1	Hardware: Flat Washer 0.734" OD
-	0017-00104-0005	4	Hardware: Lock Washer 0.489" OD
-	0K58-01001-0001	1	Front Roller - 3.5"
-	AK58-00066-0000	1	Front Roller Assembly
-	0017-00101-1632	4	Hardware: Hex Bolt 0.875"
-	0K58-01105-0000	1	Drive Pulley Poly V - 8"
-	0017-00104-0330	4	Hardware: Flat Washers 0.562" OD

## Idler Arm Assembly And Static Brush



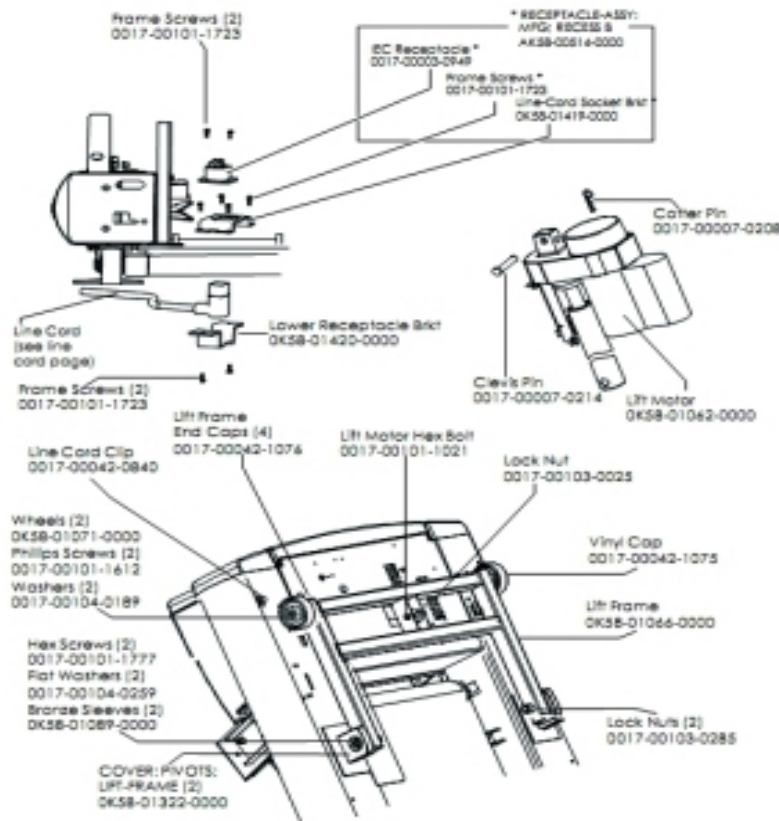
Ref #	Part Number	Qty	Description
-	OK58-01057-0001	1	Drive Pulley - 1.971"
-	AK58-00053-0002	1	Idler Arm Assembly
-	AK58-00027-0000	1	Limit Switch Cable
-	OK26-01731-0000	1	Plastic Idler 2 5/8" OD
-	OK26-02055-0000	1	Spring Damper
-	0017-00032-0195	1	Home Switch
-	0017-00042-1072	1	Hardware: Wire Clamp - 5/8"
-	OK58-01084-0002	1	Threaded Shaft
-	0017-00007-0248	1	Hardware: Locking Pin .31" D 2.125" L
-	0017-00042-0326	1	Hardware: Plastic Grommet
-	0017-00101-1193	3	Hardware: Screw 0.375"
-	OK58-01114-0000	1	Poly-V Drive Belt - 370J12
-	OK58-01085-0000	1	Extension Spring
-	OK58-01263-0001	1	Tinsel Bracket
-	0017-00101-0333	1	Hardware: Screw 0.3125"
-	0017-00103-0324	1	Hardware: Thin Lock Nut 3/8" ID

## Leveler Assembly



Ref #	Part Number	Qty	Description
-	0017-00104-0190	4	Hardware: Flat Washer 0.734" OD
-	0017-00101-1652	4	Hardware: Spring Mounting Screw 1"
-	0017-00104-0333	4	Hardware: Washer 0.683" OD
-	OK58-01083-0000	1	Leveler Bracket
-	OK58-01098-0000	1	Hardware: Pivot Pin
-	OK58-01099-0000	1	Hardware: Stop Nut
-	AK58-00370-0000	1	Leveler Assembly
-	OK58-01110-0000	1	Leveler Foot

## Lift Frame, Lift Motor And IEC Receptacle



Ref #	Part Number	Qty	Description
-	0017-00042-1076	4	Lift Frame End Cap
-	0017-00103-0285	2	Hardware: Nut 5/8" ID
-	AK58-00220-0000	1	LIFT-FRAME ASSY: MFG. C
-	0K58-01062-0000	1	Lift Motor - 120/60
-	0K58-01420-0000	1	Lower Receptacle Bracket
-	0017-00042-0840	1	Hardware: Push Mount Clip
-	0K58-01089-0000	2	Bronze Sleeve Bushings
-	0017-00101-1612	2	Hardware: Phillips Screw 0.5"
-	0017-00042-1075	1	Vinyl Cap
-	0K58-01071-0000	2	Wheel
-	0017-00007-0214	1	Hardware: Clevis Pin 3/8" D 1.75" L
-	0017-00101-1021	1	Hardware: Lift Motor Hex Bolt 2.5"
-	0017-00103-0025	1	Hardware: Locking Nut 3/8" ID
-	0017-00104-0259	2	Hardware: Washer 1.331" OD
-	0017-00101-1723	5	Hardware: Phillips Pan Screw 0.375"
-	AK58-00514-0000	1	Receptacle Assembly
-	0017-00104-0189	2	Hardware: Flat Washer 1" OD
-	0K58-01419-0000	1	Line Cord Socket Bracket
-	0017-00007-0208	1	Hardware: Cotter Pin
-	0017-00101-1777	2	Hardware: Lift Frame Mounting Bolt 2.75"
-	0K58-01322-0000	2	Lift Frame Pivot Cover
-	0017-00003-0949	1	IEC Receptacle

## Line Cords And Line Cord Options

---

Ref #	Part Number	Qty	Description
-	0017-00003-0915	1	Line Cord RT Angle Plug
-	0017-00003-0947	1	Line Cord: 120V; 20A; 12'
-	0017-00003-0980	1	Line Cord: US Low Voltage 144"
-	0017-00003-0974	1	Line Cord: 120V: 8'

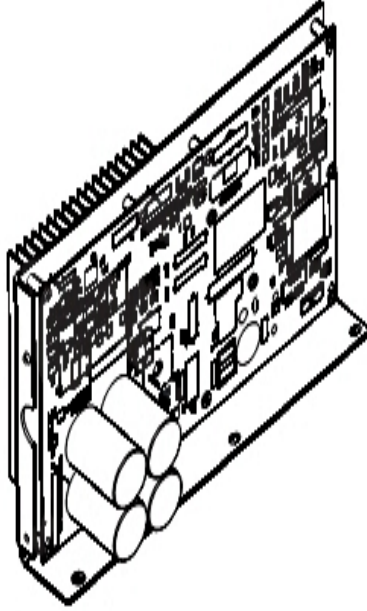
**Miscellaneous**

---

Ref #	Part Number	Qty	Description
-	0017-00021-2846	1	F-Type Panel Connector
-	0017-00008-0205	1	5 oz Bottle - Arctic Silver
-	0K58-01392-0000	1	Plate: Connector
-	AK58-00226-0000	1	Hardware Bag
-	AK58-00329-0000	1	Access Panel Assembly
-	0017-00008-0204	1	Paint Spray Can - Arctic Silver
-	AK32-00020-0002	1	Coax Cable: 120"
-	0017-00008-0206	1	.33oz Pen - Arctic Silver
-	0017-00021-2810	1	F-Type Right Angle Adaptor
-	M051-00K58-A160	1	Installation Video

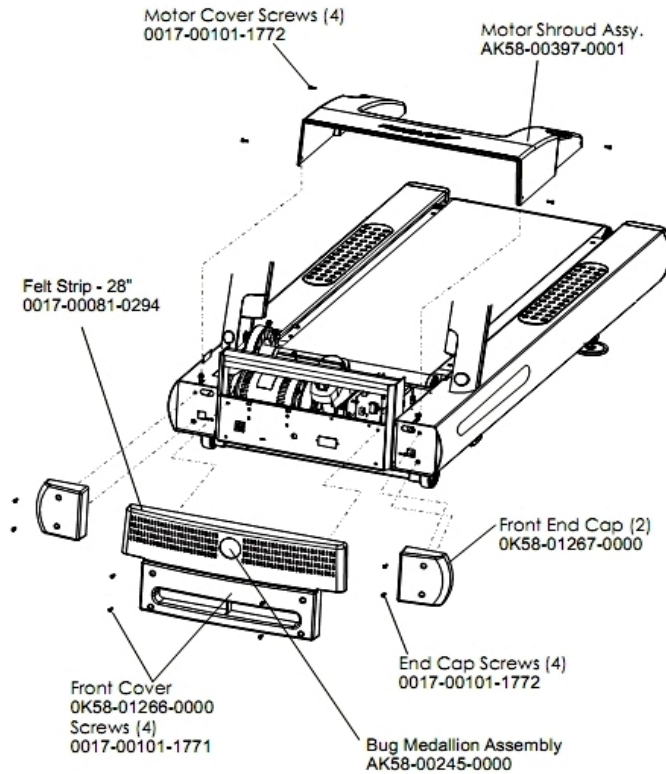
## Motor Controller Assembly

---



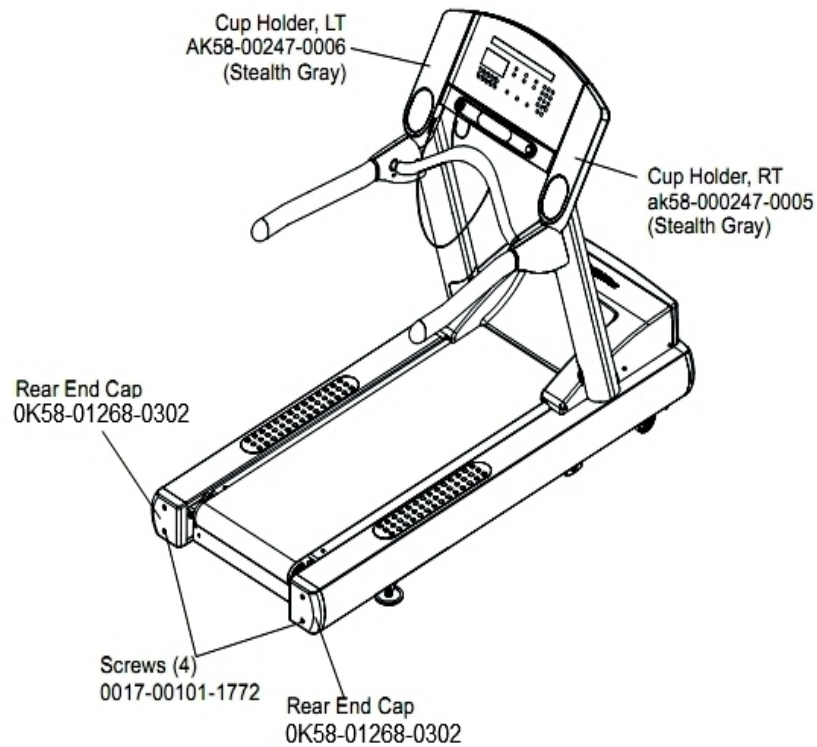
Ref #	Part Number	Qty	Description
-	AK58-00522-0000	1	Cable: Jumper; Power; LED Console
-	AK65-00071-0007	1	DSP Motor Controller with Cable(100-120V)

## Motor Cover, Front Cover And Front End Caps



Ref #	Part Number	Qty	Description
-	AK58-00397-0001	1	Motor Shroud Assembly
-	0017-00081-0294	1	Felt Strip - 28"
-	0017-00101-1771	4	Hardware: Phillips Pan Screw
-	AK58-00245-0000	1	Bug Medallion
-	OK58-01267-0000	2	End Cap
-	OK58-01266-0000	1	Front Cover
-	0017-00101-1772	8	Hardware: Phillips Pan Screw 0.5"

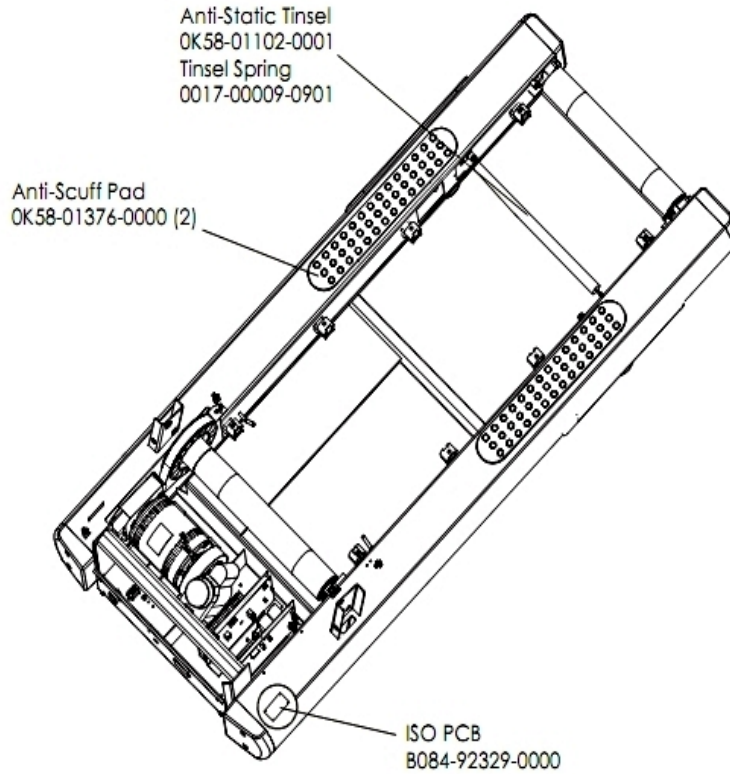
## Rear End Caps And Cup Holders



Ref #	Part Number	Qty	Description
-	OK58-01268-0302	2	ENDCAP: REAR; STEALTH D
-	AK58-00247-0006	1	Cup Holder Left
-	0017-00101-1772	4	Hardware: Phillips Pan Screw 0.5"
-	AK58-00247-0005	1	Cup Holder Right

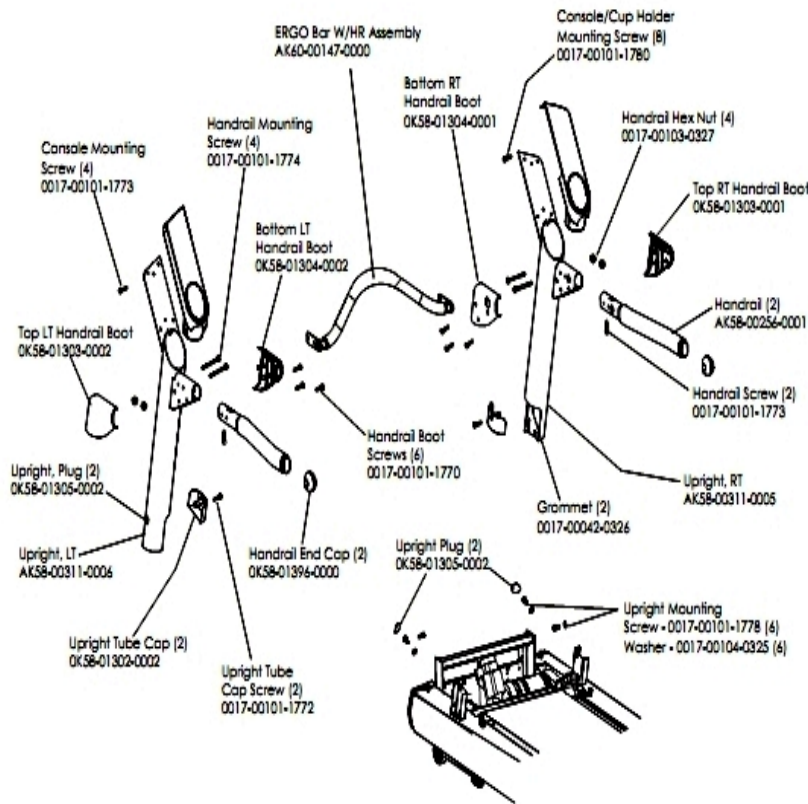
## Scuff Pad, Tinsel And Frame Tag Board

---



Ref #	Part Number	Qty	Description
-	OK58-01376-0000	2	Anti-Scuff Pad
-	B084-92329-0000	1	PCB-ASSY: STRIDE SENSE ISO
-	0017-00009-0901	1	Tinsel Extension Spring
-	OK58-01102-0001	1	Anti-Static Tinsel

## Uprights And Handrails



Ref #	Part Number	Qty	Description
-	AK60-00147-0000	1	ERGO Bar with Heart Rate Sensor
-	0017-00101-1772	2	Hardware: Phillips Pan Screw 0.5"
-	OK58-01396-0000	2	Endcap
-	0017-00101-1778	6	Hardware: Hex Bolt 1"
-	AK58-00311-0006	1	Upright: Left
-	0017-00101-1770	6	Hardware: Phillips Pan Screw 0.5"
-	0017-00101-1773	6	Hardware: TORX Screw 0.5"
-	0017-00101-1780	8	Hardware: Mounting Screws
-	0017-00042-0326	2	Hardware: Plastic Grommet
-	0017-00103-0327	4	Hardware: Hex Nut 5/16" ID
-	OK58-01302-0103	2	Cap: Upright Tube; Arctic Silver
-	OK58-01305-0002	4	Upright Plug
-	AK58-00256-0001	2	Handrail
-	AK58-00311-0005	1	Upright: Right
-	0017-00104-0325	6	Hardware: Washer 0.873" OD
-	0017-00101-1774	4	Hardware: TORX Screw 2.5"
-	OK58-01303-0001	1	Top Right Handrail Boot
-	OK58-01304-0001	1	Bottom Right Handrail Boot
-	OK58-01303-0002	1	Top Left Handrail Boot

