

Classic Treadmill DOM Low VT English

CLST-2100-03

Parts Manual

1/5/2019 12:43:44 PM

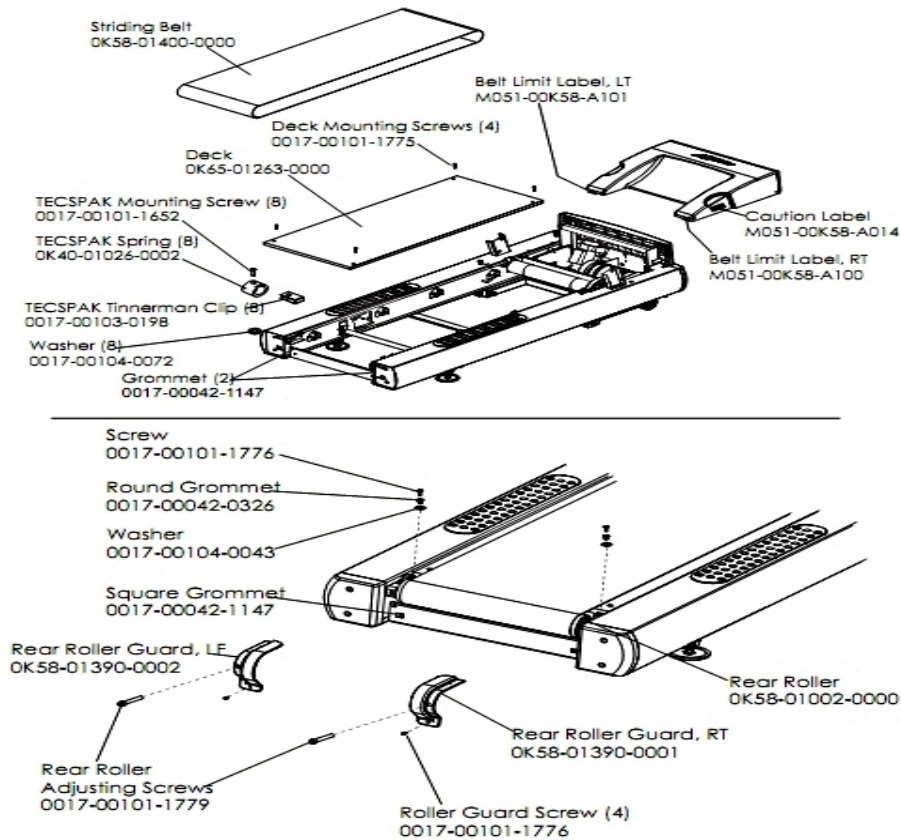


LifeFitness
WHAT WE LIVE FOR

Table of Contents

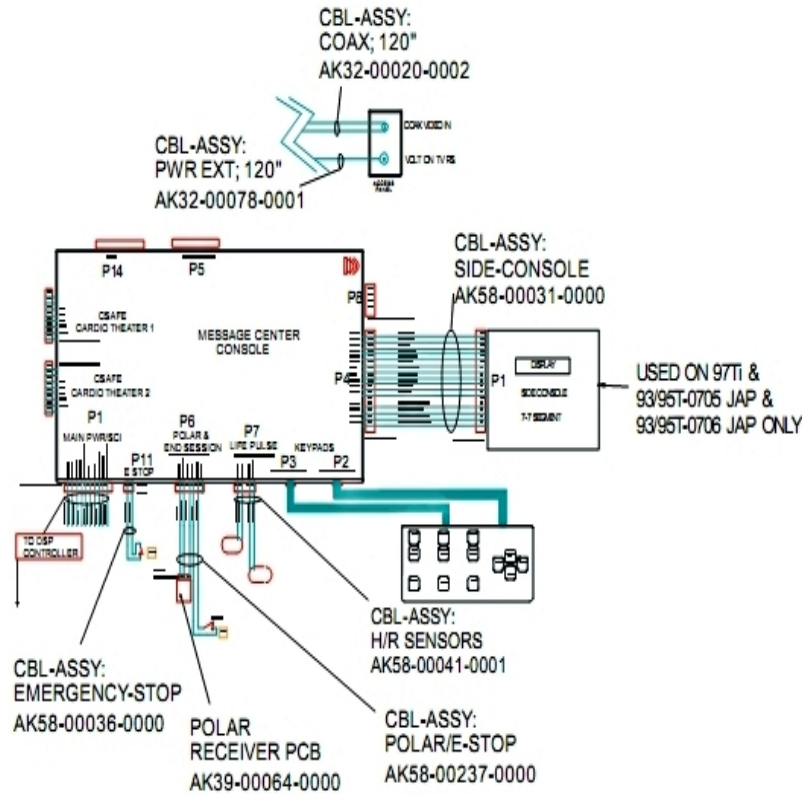
Belt, Deck And Rear Roller	3
Block Diagram 1	4
Block Diagram 2	5
Block Diagram 3	6
Console And Related Components	7
Drive Motor Assembly	8
Ergo Bar With Heart Rate Assembly	9
Front Roller Assembly	10
Idle Arm Assembly And Static Brush	11
Leveler Assembly	12
Lift Frame, Lift Motor And IEC Receptacle	13
Line Cords And Line Cord Options	14
Miscellaneous	15
Motor Controller Assembly	16
Motor Cover, Front Cover And Front End Caps	17
Rear End Caps And Cup Holders	18
Scuff Pad, Tinsel And Frame Tag Board	19
Uprights And Handrails	20

Belt, Deck And Rear Roller



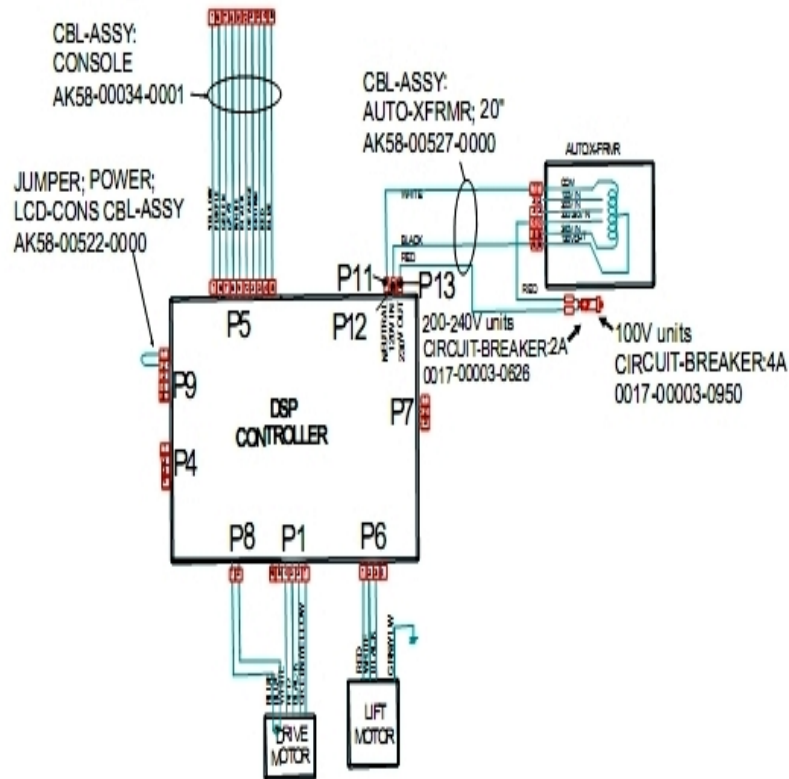
Ref #	Part Number	Qty	Description
-	OK40-01026-0002	8	Deck Spring
-	OK65-01263-0000	1	Deck
-	M051-00K58-A101	1	Belt Limit Label. Left
-	0017-00101-1776	6	Hardware: Mounting Screw 0.5"
-	OK58-01390-0001	1	Rear Roller Guard Right
-	M051-00K58-A014	1	Label: Caution
-	OK58-01390-0002	1	Rear Roller Guard Left
-	OK58-01002-0000	1	Rear Roller - 3.5"
-	0017-00104-0043	2	Hardware: Flat Washer 0.734" OD
-	0017-00101-1652	8	Hardware: Spring Mounting Screw 1"
-	0017-00042-1147	4	Hardware: Nylon Grommet
-	0017-00042-0326	2	Hardware: Plastic Grommet
-	OK58-01400-0000	1	Striding Belt
-	0017-00101-1779	2	Hardware: Rear Roller Adjusting Bolt
-	M051-00K58-A100	1	Label: Belt Limit: Right
-	0017-00104-0072	8	Hardware: Flat Washer 0.562" OD
-	0017-00103-0198	8	Hardware: Tinnerman Clip 1/4" ID
-	0017-00101-1775	4	Hardware: Deck Screws 1.25"

Block Diagram 1



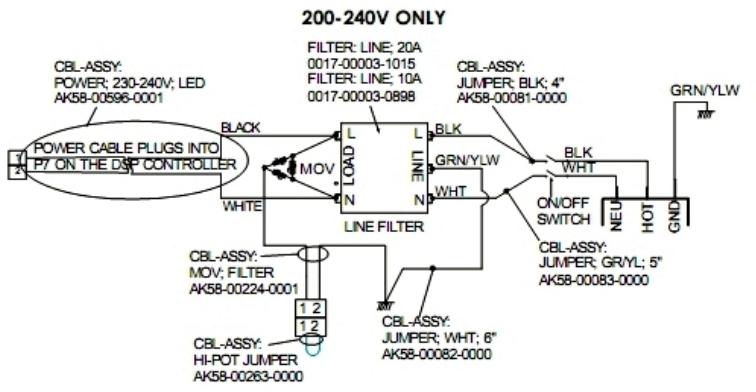
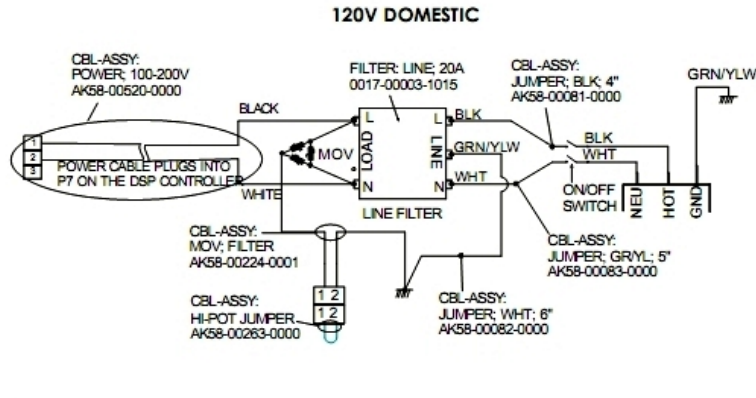
Ref #	Part Number	Qty	Description
-	AK58-00237-0000	1	Cable-Assembly: Polar/E-Stop
-	AK58-00036-0000	1	Cable-Assembly: Emergency-Stop Switch
-	AK32-00078-0001	1	Power Extension Cable: 120"
-	118E-00001-0259	1	Wireless Receiver Module, Non-Coded
-	AK58-00031-0000	1	Side Console Cable Assembly
-	AK58-00041-0001	1	Heart Rate Sensor Cable
-	AK32-00020-0002	1	Coax Cable: 120"

Block Diagram 2



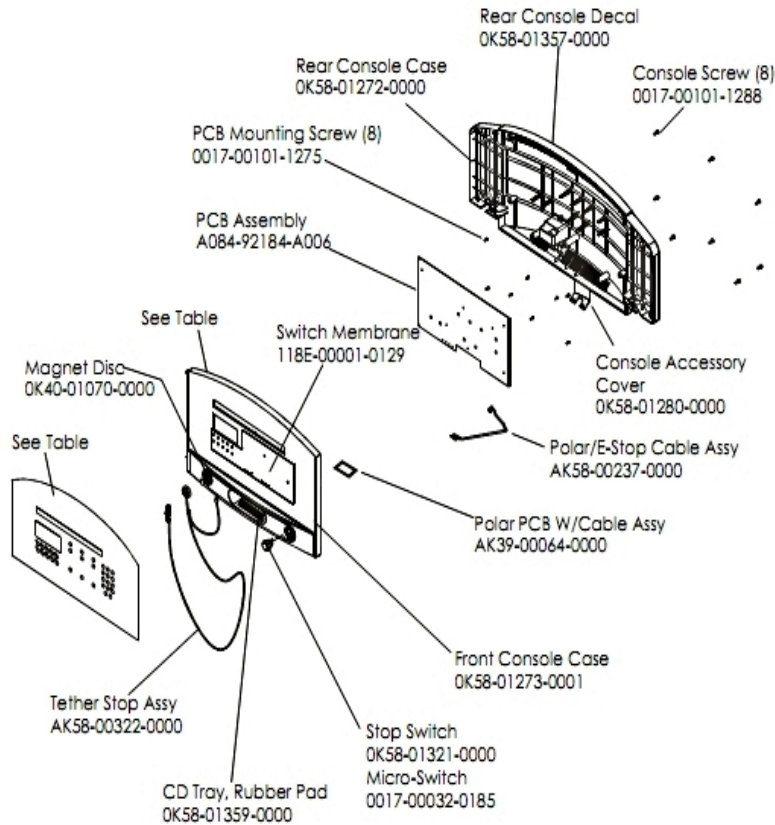
Ref #	Part Number	Qty	Description
-	AK58-00527-0000	1	Auto-Transformer: Use on High Voltage
-	AK58-00034-0001	1	Console Power Cable
-	AK58-00522-0000	1	Cable: Jumper; Power; LED Console
-	0017-00003-0950	1	100v 4 AMP Breaker
-	0017-00003-1015	1	20 amp Line Filter (DOM)

Block Diagram 3



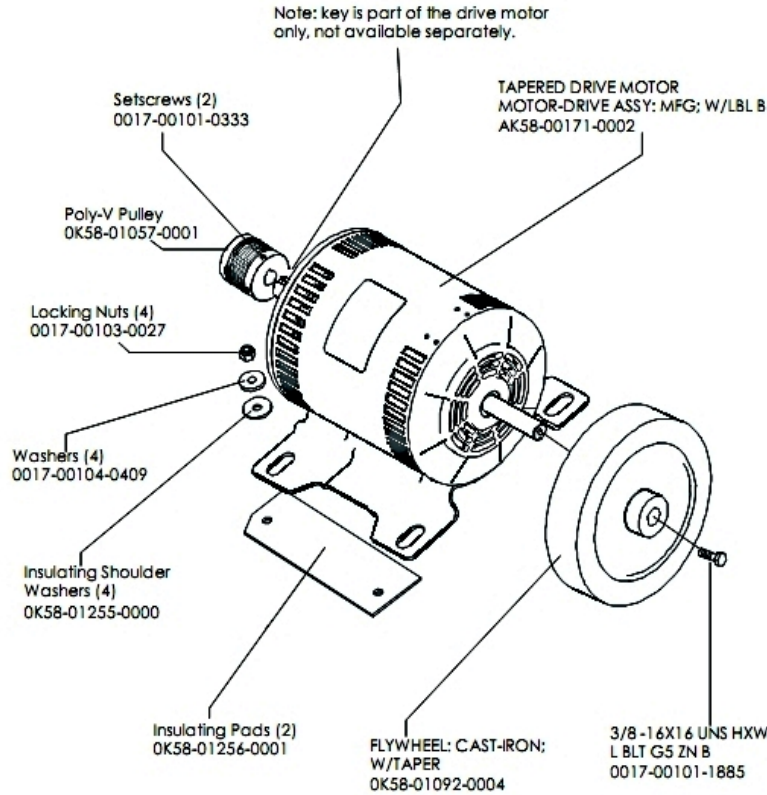
Ref #	Part Number	Qty	Description
-	AK58-00081-0000	1	Jumper Cable Assembly: Black - 4"
-	AK58-00082-0000	1	Jumper Cable Assembly: White - 6"
-	AK58-00224-0001	1	Cable: MOV; Fliter
-	0017-00003-1015	1	20 amp Line Filter (DOM)
-	AK58-00263-0000	1	Hi-Pot Jumper Cable
-	AK58-00520-0000	1	Power Cable Assembly: 100-120V
-	AK58-00083-0000	1	Cable Assembly

Console And Related Components



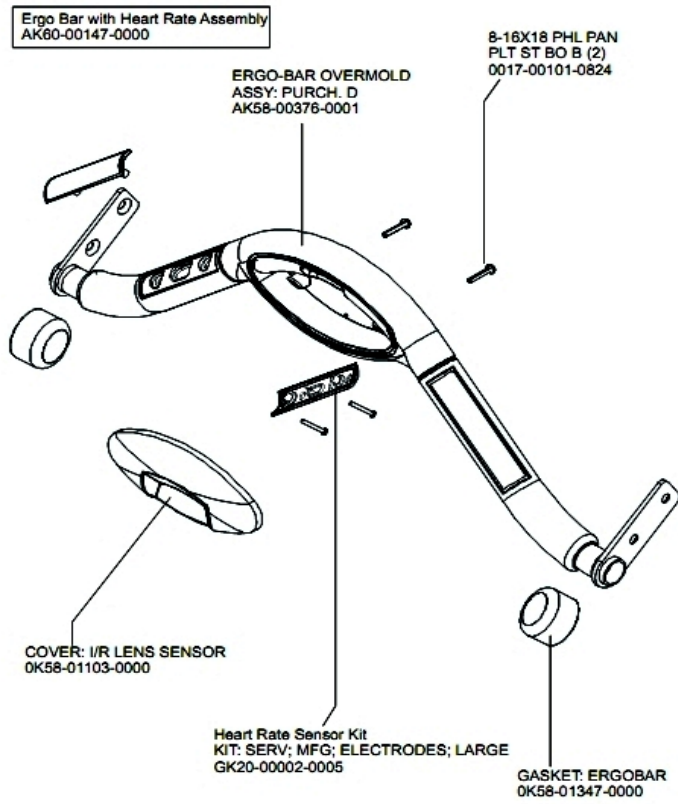
Ref #	Part Number	Qty	Description
-	OK58-01298-0001	1	Console English/Metric
-	0017-00101-1288	8	Hardware: Phillips Screw 0.5"
-	118E-00001-0129	1	Switch Membrane
-	A084-92184-A006	1	PCB Assembly
-	AK58-00580-0001	1	Console: English/English
-	OK58-01273-0001	1	Front Console Case
-	AK58-00237-0000	1	Cable-Assembly: Polar/E-Stop
-	OK58-01359-0000	1	Rubber Pad
-	OK40-01070-0000	1	Magnetic Disk
-	118E-00001-0259	1	Wireless Receiver Module, Non-Coded
-	OK58-01280-0000	1	Accessory Cover
-	0017-00032-0185	1	Micro Switch 150GR
-	OK58-01272-0000	1	Rear Console Case
-	AK58-00322-0000	1	Tether Stop Assembly
-	OK58-01357-0000	1	Decal
-	0017-00101-1275	8	Hardware: Phillips Screw 0.375"
-	OK58-01321-0000	1	Stop Switch

Drive Motor Assembly



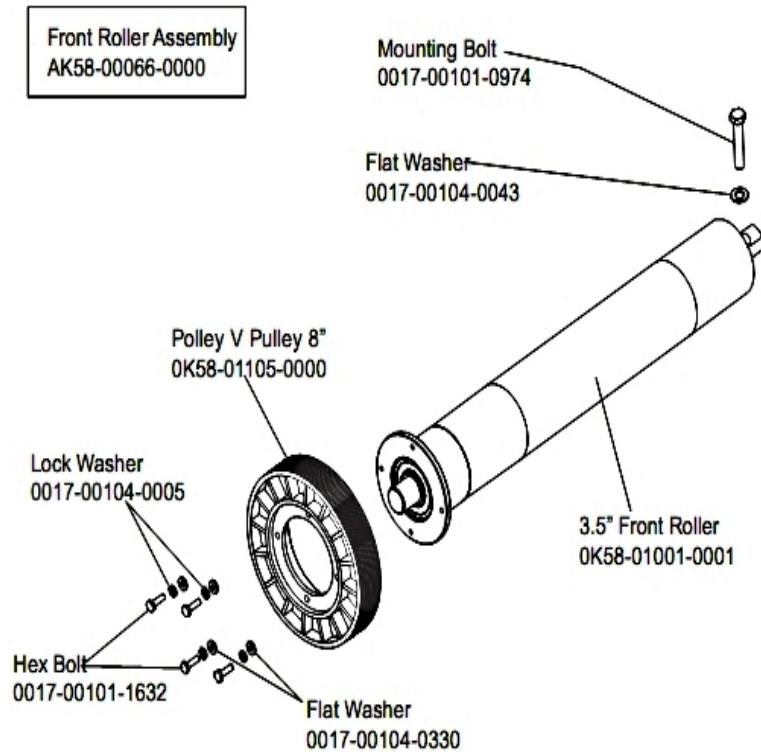
Ref #	Part Number	Qty	Description
-	0017-00103-0027	4	Hardware: Locking Nut. 5/16" ID
-	OK58-01057-0001	1	Drive Pulley - 1.971"
-	0017-00101-1885	1	Hardware: Hex Bolt 1"
-	OK58-01255-0000	4	Hardware: Insulating Washers
-	OK58-01256-0001	2	Insulating Pad
-	OK58-01386-0004	1	MOTOR: MAIN DRIVE, 230V/50HZ, W/TAPER
-	0017-00104-0409	4	Hardware: Washer 1.125" OD
-	0017-00101-0333	2	Hardware: Screw 0.3125"
-	OK58-01092-0004	1	Cast Iron Flywheel

Ergo Bar With Heart Rate Assembly



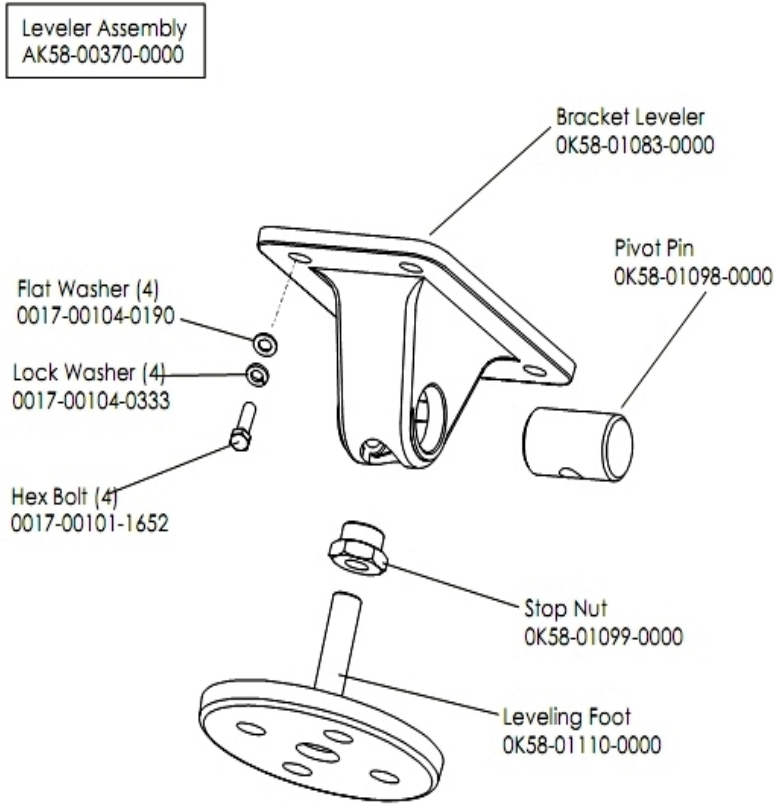
Ref #	Part Number	Qty	Description
-	AK58-00064-0000	1	I/R Lens Cover Assembly
-	GK20-00002-0005	2	Heart Rate Electrode Kit
-	0017-00101-0824	2	Hardware: Screw 1.125"
-	AK60-00147-0000	1	ERGO Bar with Heart Rate Sensor
-	AK58-00376-0001	1	Ergo-Bar Overmold Assembly
-	OK58-01347-0000	2	ErgoBar Gasket

Front Roller Assembly



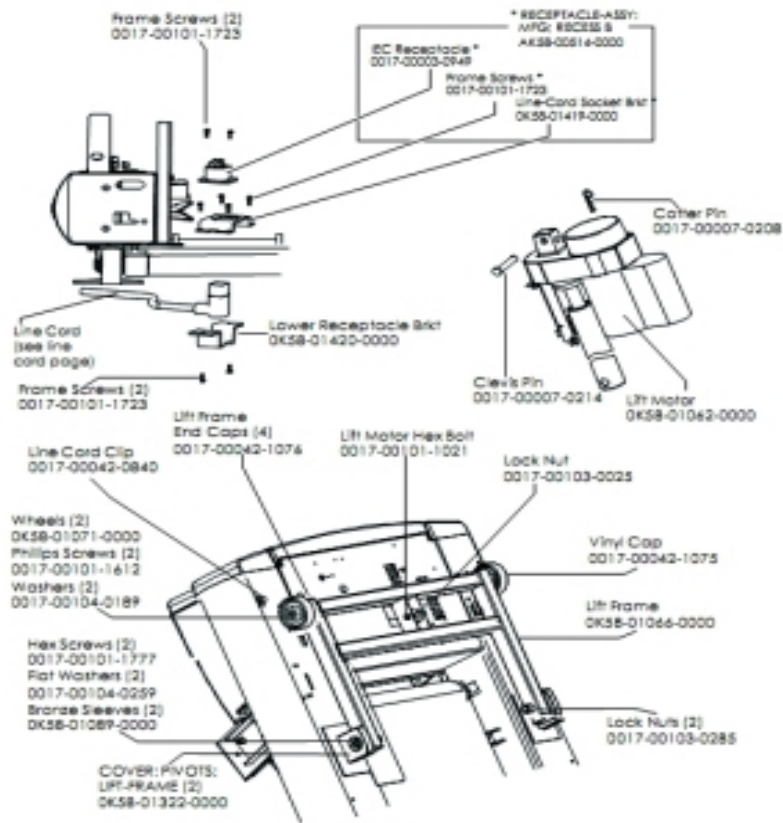
Ref #	Part Number	Qty	Description
-	0017-00101-0974	1	Hardware: Mounting Bolt 2"
-	0017-00101-1632	4	Hardware: Hex Bolt 0.875"
-	0K58-01105-0000	1	Drive Pulley Poly V - 8"
-	0K58-01001-0001	1	Front Roller - 3.5"
-	0017-00104-0005	4	Hardware: Lock Washer 0.489" OD
-	0017-00104-0330	4	Hardware: Flat Washers 0.562" OD
-	AK58-00066-0000	1	Front Roller Assembly
-	0017-00104-0043	1	Hardware: Flat Washer 0.734" OD

Leveler Assembly



Ref #	Part Number	Qty	Description
-	OK58-01110-0000	1	Leveler Foot
-	AK58-00370-0000	1	Leveler Assembly
-	OK58-01099-0000	1	Hardware: Stop Nut
-	OK58-01083-0000	1	Leveler Bracket
-	0017-00104-0333	4	Hardware: Washer 0.683" OD
-	0017-00101-1652	4	Hardware: Spring Mounting Screw 1"
-	0017-00104-0190	4	Hardware: Flat Washer 0.734" OD
-	OK58-01098-0000	1	Hardware: Pivot Pin

Lift Frame, Lift Motor And IEC Receptacle



Ref #	Part Number	Qty	Description
-	0017-00007-0214	1	Hardware: Clevis Pin 3/8" D 1.75" L
-	0017-00042-1075	1	Vinyl Cap
-	0017-00101-1612	2	Hardware: Phillips Screw 0.5"
-	0K58-01071-0000	2	Wheel
-	0017-00042-0840	1	Hardware: Push Mount Clip
-	0K58-01089-0000	2	Bronze Sleeve Bushings
-	0K58-01420-0000	1	Lower Receptacle Bracket
-	0K58-01062-0000	1	Lift Motor - 120/60
-	AK58-00220-0000	1	LIFT-FRAME ASSY: MFG. C
-	0017-00042-1076	4	Lift Frame End Cap
-	0K58-01322-0000	2	Lift Frame Pivot Cover
-	0017-00103-0285	2	Hardware: Nut 5/8" ID
-	0017-00007-0208	1	Hardware: Cotter Pin
-	0017-00101-1777	2	Hardware: Lift Frame Mounting Bolt 2.75"
-	0017-00104-0189	2	Hardware: Flat Washer 1" OD
-	0K58-01419-0000	1	Line Cord Socket Bracket
-	0017-00101-1723	5	Hardware: Phillips Pan Screw 0.375"
-	AK58-00514-0000	1	Receptacle Assembly
-	0017-00003-0949	1	IEC Receptacle
-	0017-00101-1021	1	Hardware: Lift Motor Hex Bolt 2.5"
-	0017-00103-0025	1	Hardware: Locking Nut 3/8" ID
-	0017-00104-0259	2	Hardware: Washer 1.331" OD

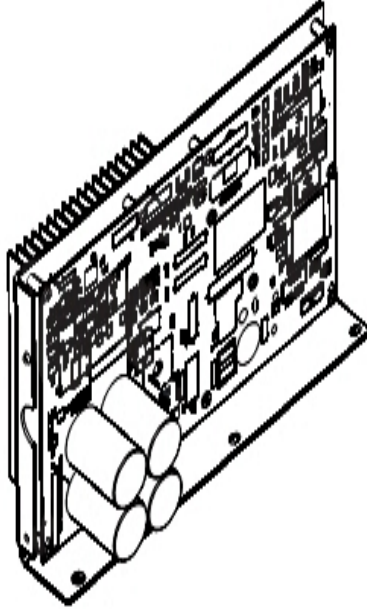
Line Cords And Line Cord Options

Ref #	Part Number	Qty	Description
-	0017-00003-0915	1	Line Cord RT Angle Plug
-	0017-00003-0947	1	Line Cord: 120V; 20A; 12'
-	0017-00003-0974	1	Line Cord: 120V: 8'
-	0017-00003-0980	1	Line Cord: US Low Voltage 144"

Miscellaneous

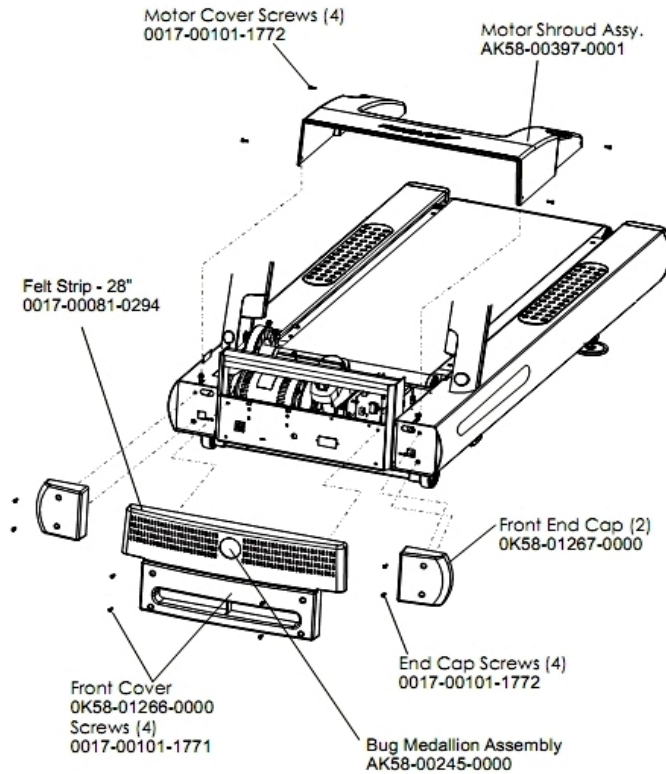
Ref #	Part Number	Qty	Description
-	0017-00008-0205	1	5 oz Bottle - Arctic Silver
-	0017-00008-0204	1	Paint Spray Can - Arctic Silver
-	0017-00021-2846	1	F-Type Panel Connector
-	M051-00K58-A160	1	Installation Video
-	AK58-00329-0000	1	Access Panel Assembly
-	AK58-00226-0000	1	Hardware Bag
-	0K58-01392-0000	1	Plate: Connector
-	AK32-00020-0002	1	Coax Cable: 120"
-	0017-00021-2810	1	F-Type Right Angle Adaptor
-	0017-00008-0206	1	.33oz Pen - Arctic Silver

Motor Controller Assembly



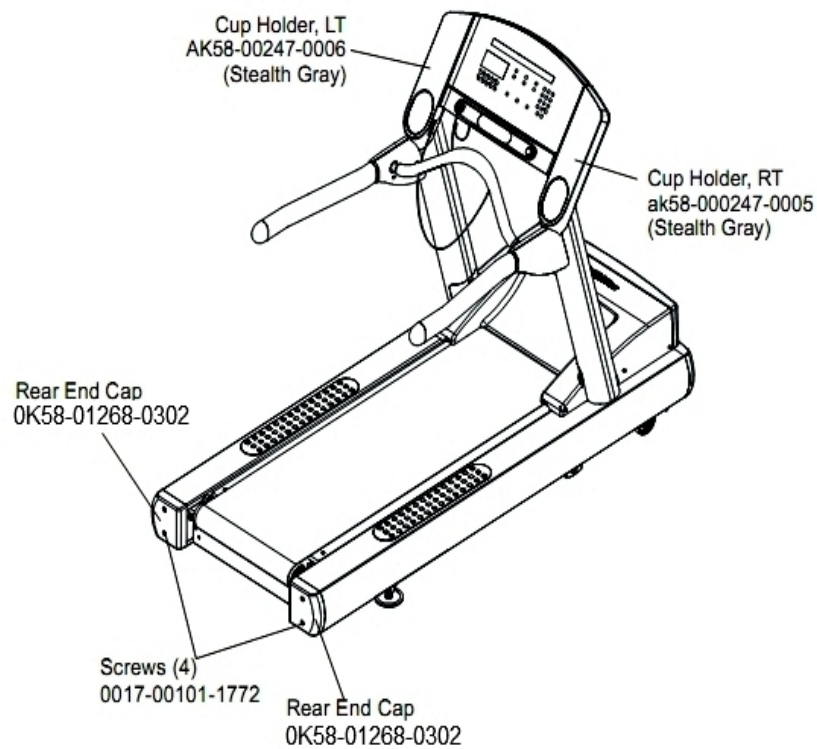
Ref #	Part Number	Qty	Description
-	AK65-00071-0007	1	DSP Motor Controller with Cable(100-120V)
-	AK58-00522-0000	1	Cable: Jumper; Power; LED Console

Motor Cover, Front Cover And Front End Caps



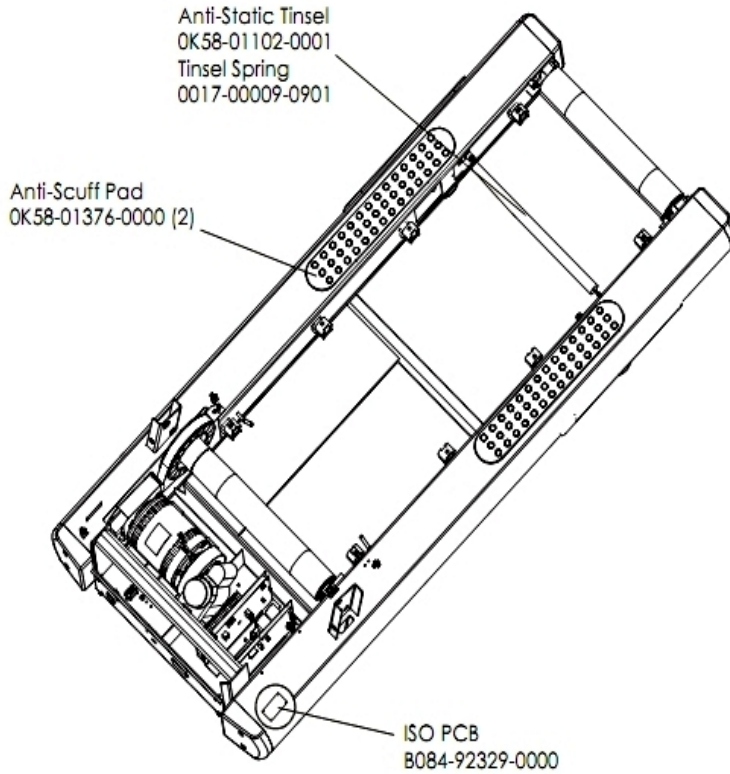
Ref #	Part Number	Qty	Description
-	AK58-00245-0000	1	Bug Medallion
-	0017-00081-0294	1	Felt Strip - 28"
-	OK58-01267-0000	2	End Cap
-	OK58-01266-0000	1	Front Cover
-	AK58-00397-0001	1	Motor Shroud Assembly
-	0017-00101-1771	4	Hardware: Phillips Pan Screw
-	0017-00101-1772	8	Hardware: Phillips Pan Screw 0.5"

Rear End Caps And Cup Holders



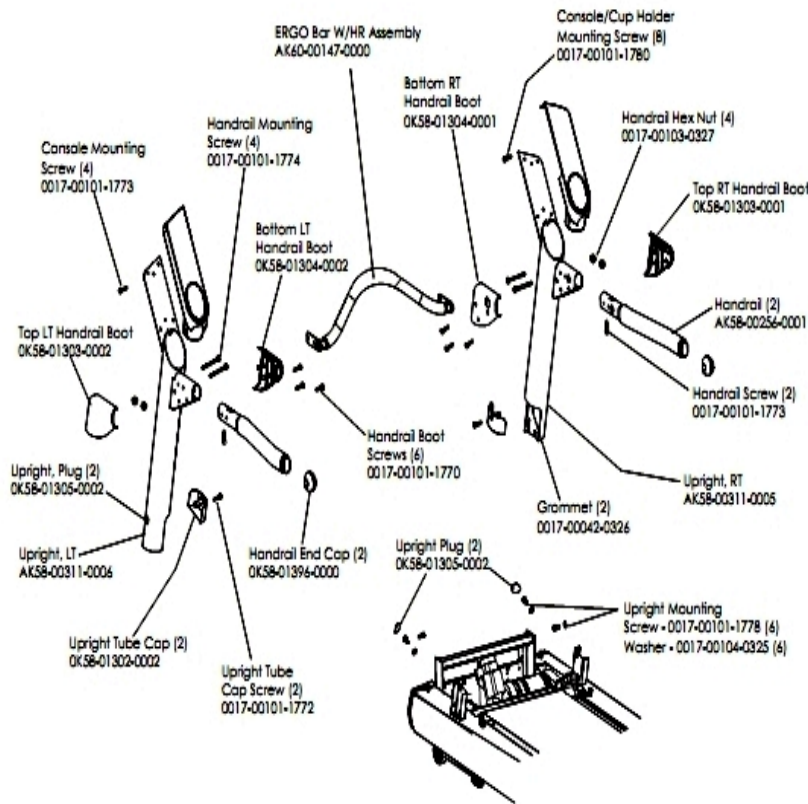
Ref #	Part Number	Qty	Description
-	AK58-00247-0006	1	Cup Holder Left
-	OK58-01268-0302	2	ENDCAP: REAR; STEALTH D
-	0017-00101-1772	4	Hardware: Phillips Pan Screw 0.5"
-	AK58-00247-0005	1	Cup Holder Right

Scuff Pad, Tinsel And Frame Tag Board



Ref #	Part Number	Qty	Description
-	B084-92329-0000	1	PCB-ASSY: STRIDE SENSE ISO
-	0017-00009-0901	1	Tinsel Extension Spring
-	OK58-01102-0001	1	Anti-Static Tinsel
-	OK58-01376-0000	2	Anti-Scuff Pad

Uprights And Handrails



Ref #	Part Number	Qty	Description
-	OK58-01302-0103	2	Cap: Upright Tube; Arctic Silver
-	AK58-00311-0005	1	Upright: Right
-	OK58-01305-0002	4	Upright Plug
-	AK58-00256-0001	2	Handrail
-	0017-00101-1780	8	Hardware: Mounting Screws
-	0017-00101-1778	6	Hardware: Hex Bolt 1"
-	AK58-00311-0006	1	Upright: Left
-	0017-00101-1772	2	Hardware: Phillips Pan Screw 0.5"
-	OK58-01396-0000	2	Endcap
-	OK58-01304-0001	1	Bottom Right Handrail Boot
-	0017-00103-0327	4	Hardware: Hex Nut 5/16" ID
-	0017-00042-0326	2	Hardware: Plastic Grommet
-	0017-00101-1774	4	Hardware: TORX Screw 2.5"
-	0017-00101-1770	6	Hardware: Phillips Pan Screw 0.5"
-	AK60-00147-0000	1	ERGO Bar with Heart Rate Sensor
-	OK58-01303-0001	1	Top Right Handrail Boot
-	OK58-01303-0002	1	Top Left Handrail Boot
-	0017-00101-1773	6	Hardware: TORX Screw 0.5"
-	0017-00104-0325	6	Hardware: Washer 0.873" OD

