

Classic Treadmill - EUR High VT English

CLST-2101-03

Parts Manual

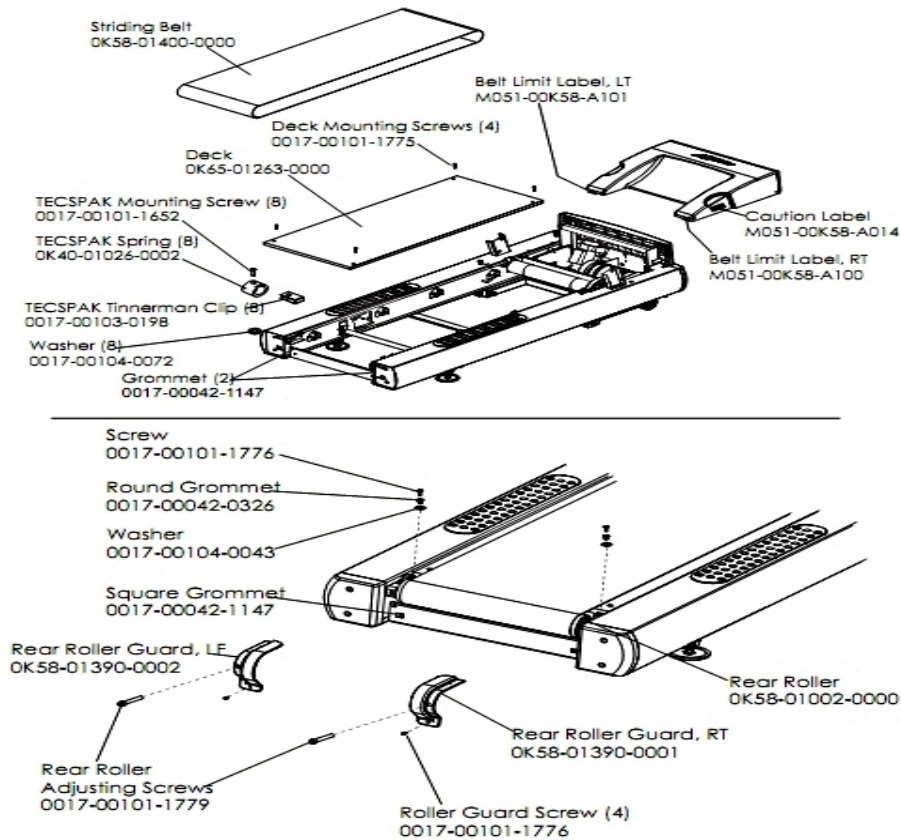
1/5/2019 12:45:10 PM



Table of Contents

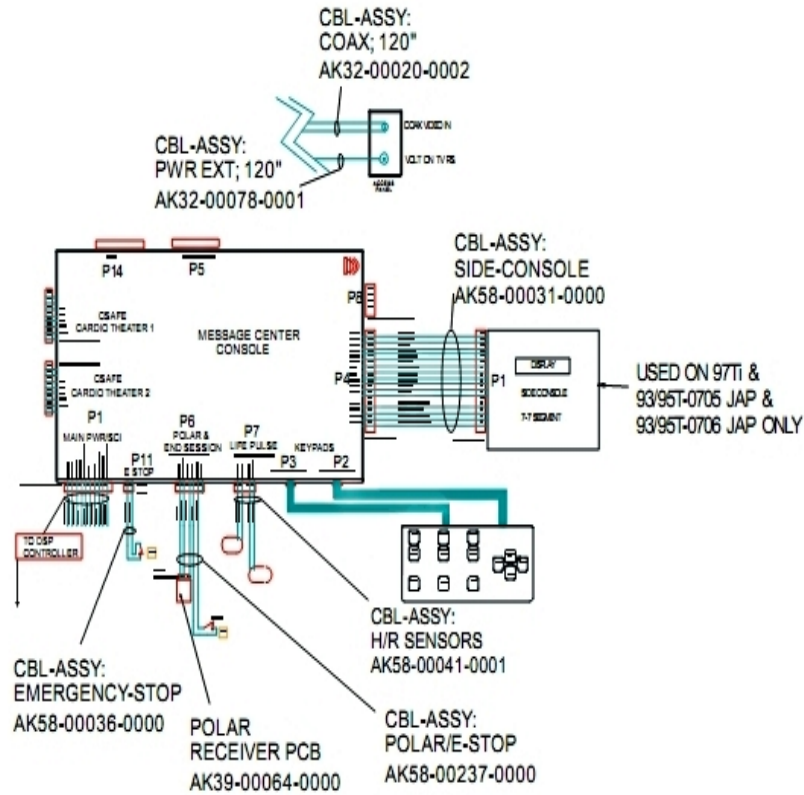
Belt, Deck And Rear Roller	3
Block Diagram 1	4
Block Diagram 2	5
Block Diagram 3	6
Console And Related Components	7
Drive Motor Assembly	8
Ergo Bar With Heart Rate Assembly	9
Front Roller Assembly	10
Idle Arm Assembly And Static Brush	11
Leveler Assembly	12
Lift Frame, Lift Motor And IEC Receptacle	13
Line Cords And Line Cord Options	14
Miscellaneous	15
Motor Controller Assembly	16
Motor Cover, Front Cover And Front End Caps	17
Rear End Caps And Cup Holders	18
Scuff Pad, Tinsel And Frame Tag Board	19
Uprights And Handrails	20

Belt, Deck And Rear Roller



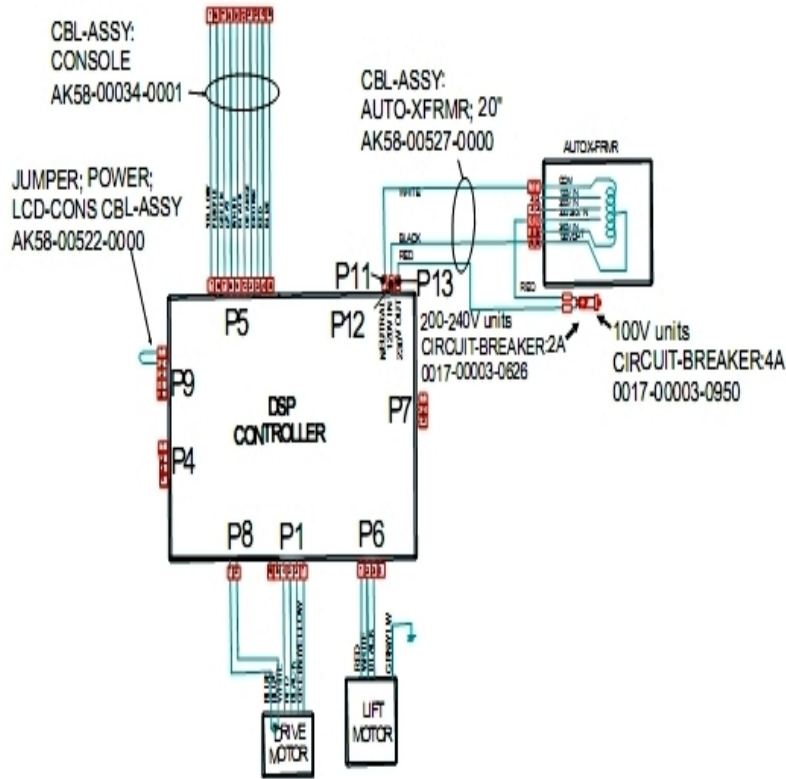
Ref #	Part Number	Qty	Description
-	0017-00101-1775	4	Hardware: Deck Screws 1.25"
-	OK40-01026-0002	8	Deck Spring
-	M051-00K58-A101	1	Belt Limit Label. Left
-	0017-00101-1776	6	Hardware: Mounting Screw 0.5"
-	OK58-01390-0001	1	Rear Roller Guard Right
-	M051-00K58-A014	1	Label: Caution
-	OK58-01390-0002	1	Rear Roller Guard Left
-	OK58-01002-0000	1	Rear Roller - 3.5"
-	0017-00104-0043	2	Hardware: Flat Washer 0.734" OD
-	0017-00101-1652	8	Hardware: Spring Mounting Screw 1"
-	0017-00042-1147	4	Hardware: Nylon Grommet
-	0017-00042-0326	2	Hardware: Plastic Grommet
-	OK58-01400-0000	1	Striding Belt
-	0017-00101-1779	2	Hardware: Rear Roller Adjusting Bolt
-	M051-00K58-A100	1	Label: Belt Limit: Right
-	0017-00104-0072	8	Hardware: Flat Washer 0.562" OD
-	0017-00103-0198	8	Hardware: Tinnerman Clip 1/4" ID
-	OK65-01263-0000	1	Deck

Block Diagram 1



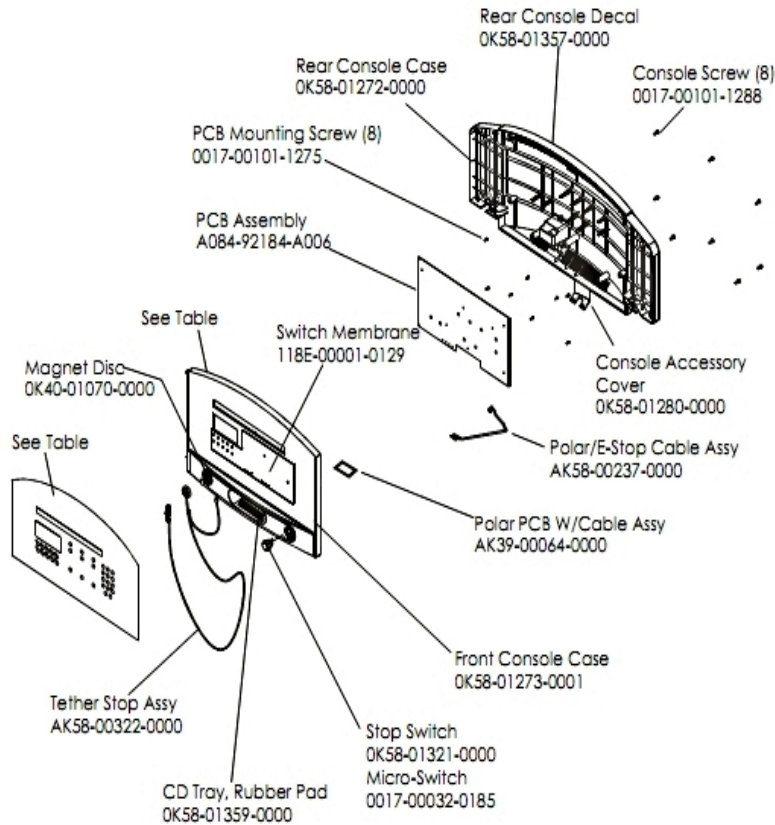
Ref #	Part Number	Qty	Description
-	AK32-00078-0001	1	Power Extension Cable: 120"
-	AK58-00036-0000	1	Cable-Assembly: Emergency-Stop Switch
-	AK58-00031-0000	1	Side Console Cable Assembly
-	AK58-00041-0001	1	Heart Rate Sensor Cable
-	118E-00001-0259	1	Wireless Receiver Module, Non-Coded
-	AK58-00237-0000	1	Cable-Assembly: Polar/E-Stop
-	AK32-00020-0002	1	Coax Cable: 120"

Block Diagram 2



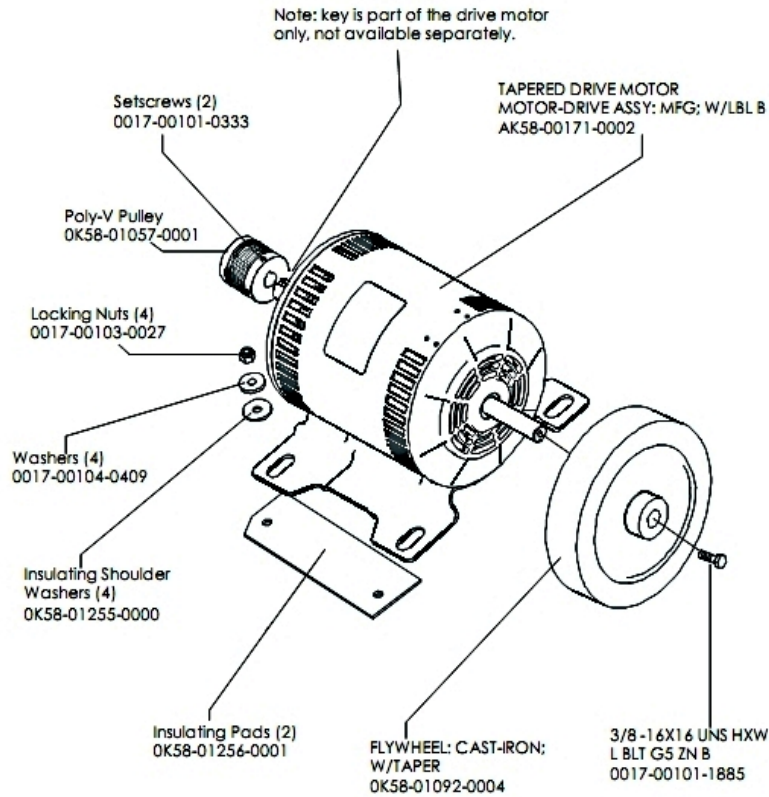
Ref #	Part Number	Qty	Description
-	AK58-00522-0000	1	Cable: Jumper; Power; LED Console
-	0017-00003-0626	1	CIRCUIT-BREAKER:2A 200-240V
-	AK58-00527-0000	1	Auto-Transformer: Use on High Voltage
-	AK58-00034-0001	1	Console Power Cable

Console And Related Components



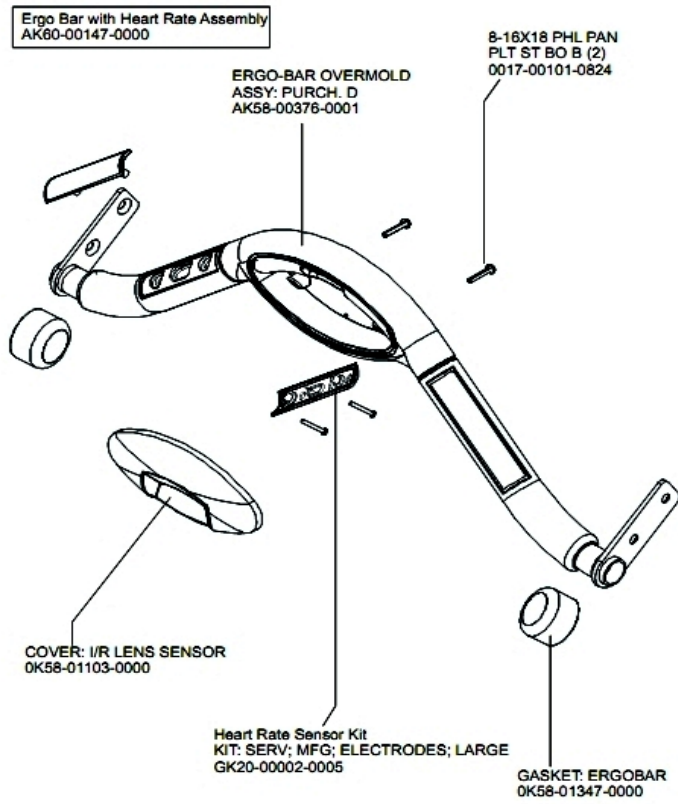
Ref #	Part Number	Qty	Description
-	OK58-01298-0001	1	Console English/Metric
-	OK58-01357-0000	1	Decal
-	118E-00001-0129	1	Switch Membrane
-	A084-92184-A006	1	PCB Assembly
-	AK58-00580-0001	1	Console: English/English
-	OK58-01273-0001	1	Front Console Case
-	AK58-00237-0000	1	Cable-Assembly: Polar/E-Stop
-	OK58-01359-0000	1	Rubber Pad
-	OK40-01070-0000	1	Magnetic Disk
-	118E-00001-0259	1	Wireless Receiver Module, Non-Coded
-	0017-00032-0185	1	Micro Switch 150GR
-	OK58-01280-0000	1	Accessory Cover
-	OK58-01272-0000	1	Rear Console Case
-	AK58-00322-0000	1	Tether Stop Assembly
-	0017-00101-1275	8	Hardware: Phillips Screw 0.375"
-	0017-00101-1288	8	Hardware: Phillips Screw 0.5"
-	OK58-01321-0000	1	Stop Switch

Drive Motor Assembly



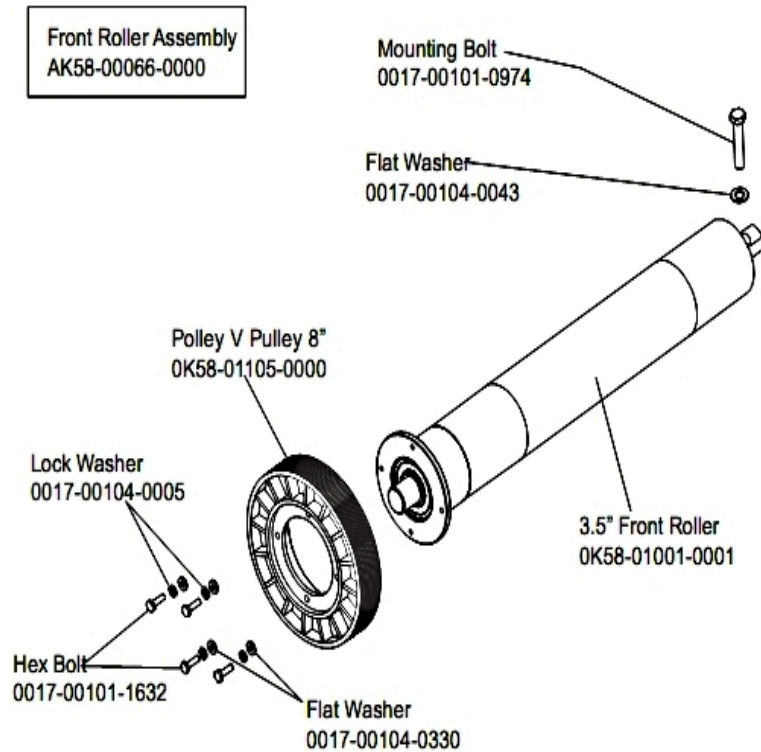
Ref #	Part Number	Qty	Description
-	0017-00103-0027	4	Hardware: Locking Nut. 5/16" ID
-	OK58-01057-0001	1	Drive Pulley - 1.971"
-	0017-00101-1885	1	Hardware: Hex Bolt 1"
-	OK58-01255-0000	4	Hardware: Insulating Washers
-	OK58-01256-0001	2	Insulating Pad
-	OK58-01386-0004	1	MOTOR: MAIN DRIVE, 230V/50HZ, W/TAPER
-	0017-00104-0409	4	Hardware: Washer 1.125" OD
-	0017-00101-0333	2	Hardware: Screw 0.3125"
-	OK58-01092-0004	1	Cast Iron Flywheel

Ergo Bar With Heart Rate Assembly



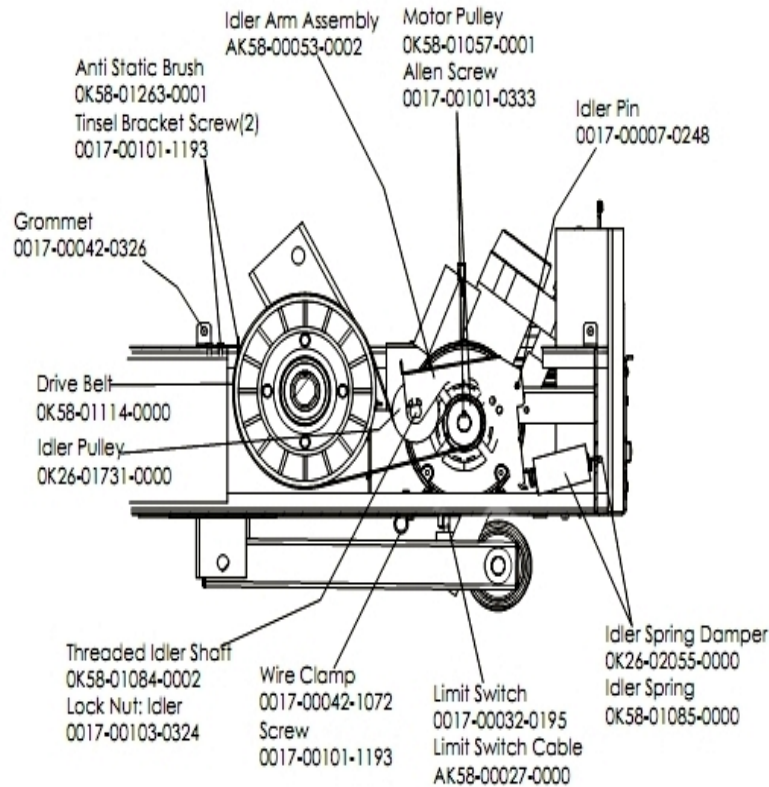
Ref #	Part Number	Qty	Description
-	AK58-00064-0000	1	I/R Lens Cover Assembly
-	GK20-00002-0005	2	Heart Rate Electrode Kit
-	0017-00101-0824	2	Hardware: Screw 1.125"
-	AK60-00147-0000	1	ERGO Bar with Heart Rate Sensor
-	AK58-00376-0001	1	Ergo-Bar Overmold Assembly
-	OK58-01347-0000	2	ErgoBar Gasket

Front Roller Assembly



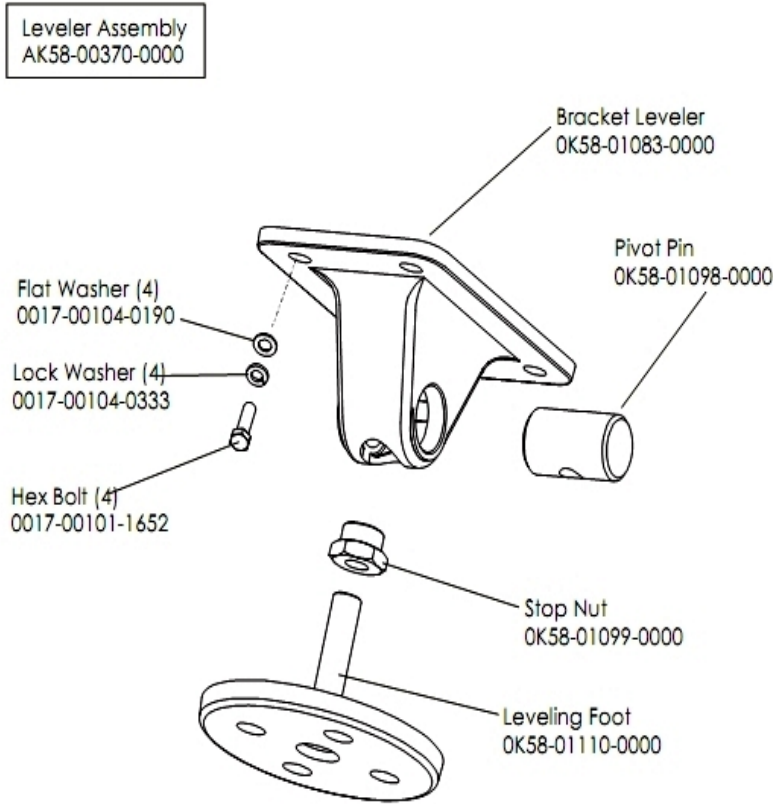
Ref #	Part Number	Qty	Description
-	0017-00101-0974	1	Hardware: Mounting Bolt 2"
-	0017-00101-1632	4	Hardware: Hex Bolt 0.875"
-	0K58-01105-0000	1	Drive Pulley Poly V - 8"
-	0K58-01001-0001	1	Front Roller - 3.5"
-	0017-00104-0005	4	Hardware: Lock Washer 0.489" OD
-	0017-00104-0330	4	Hardware: Flat Washers 0.562" OD
-	AK58-00066-0000	1	Front Roller Assembly
-	0017-00104-0043	1	Hardware: Flat Washer 0.734" OD

Idler Arm Assembly And Static Brush



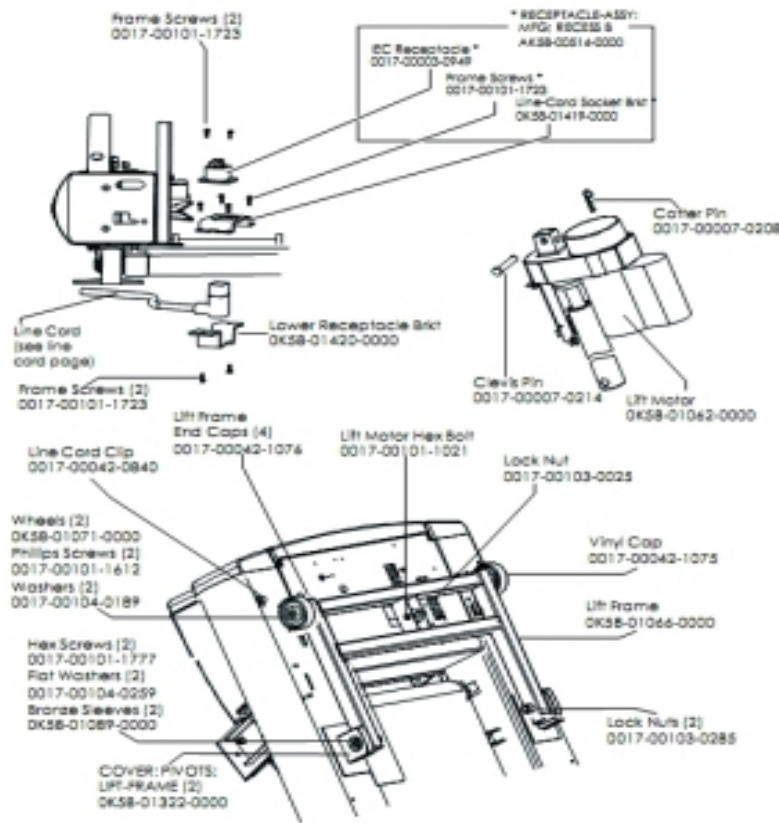
Ref #	Part Number	Qty	Description
-	OK58-01057-0001	1	Drive Pulley - 1.971"
-	AK58-00053-0002	1	Idler Arm Assembly
-	AK58-00027-0000	1	Limit Switch Cable
-	OK26-01731-0000	1	Plastic Idler 2 5/8" OD
-	OK26-02055-0000	1	Spring Damper
-	0017-00032-0195	1	Home Switch
-	0017-00042-1072	1	Hardware: Wire Clamp - 5/8"
-	0017-00007-0248	1	Hardware: Locking Pin .31" D 2.125" L
-	0017-00042-0326	1	Hardware: Plastic Grommet
-	0017-00101-1193	3	Hardware: Screw 0.375"
-	OK58-01114-0000	1	Poly-V Drive Belt - 370J12
-	OK58-01084-0002	1	Threaded Shaft
-	OK58-01085-0000	1	Extension Spring
-	OK58-01263-0001	1	Tinsel Bracket
-	0017-00101-0333	1	Hardware: Screw 0.3125"
-	0017-00103-0324	1	Hardware: Thin Lock Nut 3/8" ID

Leveler Assembly



Ref #	Part Number	Qty	Description
-	OK58-01110-0000	1	Leveler Foot
-	AK58-00370-0000	1	Leveler Assembly
-	OK58-01099-0000	1	Hardware: Stop Nut
-	OK58-01083-0000	1	Leveler Bracket
-	0017-00104-0333	4	Hardware: Washer 0.683" OD
-	0017-00101-1652	4	Hardware: Spring Mounting Screw 1"
-	0017-00104-0190	4	Hardware: Flat Washer 0.734" OD
-	OK58-01098-0000	1	Hardware: Pivot Pin

Lift Frame, Lift Motor And IEC Receptacle



Ref #	Part Number	Qty	Description
-	0017-00007-0214	1	Hardware: Clevis Pin 3/8" D 1.75" L
-	0017-00042-1075	1	Vinyl Cap
-	0017-00101-1612	2	Hardware: Phillips Screw 0.5"
-	0K58-01071-0000	2	Wheel
-	0017-00042-0840	1	Hardware: Push Mount Clip
-	0K58-01089-0000	2	Bronze Sleeve Bushings
-	0K58-01420-0000	1	Lower Receptacle Bracket
-	0K58-01062-0000	1	Lift Motor - 120/60
-	AK58-00220-0000	1	LIFT-FRAME ASSY: MFG. C
-	0017-00042-1076	4	Lift Frame End Cap
-	0K58-01322-0000	2	Lift Frame Pivot Cover
-	0017-00103-0285	2	Hardware: Nut 5/8" ID
-	0017-00007-0208	1	Hardware: Cotter Pin
-	0017-00101-1777	2	Hardware: Lift Frame Mounting Bolt 2.75"
-	0017-00104-0189	2	Hardware: Flat Washer 1" OD
-	0K58-01419-0000	1	Line Cord Socket Bracket
-	0017-00101-1723	5	Hardware: Phillips Pan Screw 0.375"
-	AK58-00514-0000	1	Receptacle Assembly
-	0017-00003-0949	1	IEC Receptacle
-	0017-00101-1021	1	Hardware: Lift Motor Hex Bolt 2.5"
-	0017-00103-0025	1	Hardware: Locking Nut 3/8" ID
-	0017-00104-0259	2	Hardware: Washer 1.331" OD

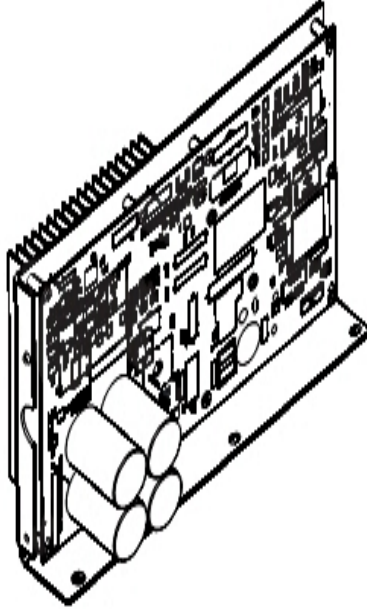
Line Cords And Line Cord Options

Ref #	Part Number	Qty	Description
-	0017-00003-0980	1	Line Cord: US Low Voltage 144"
-	0017-00003-0696	1	Line Cord: International High Voltage (Cont.) 103"
-	0017-00003-0948	1	12' 220v Line Cord

Miscellaneous

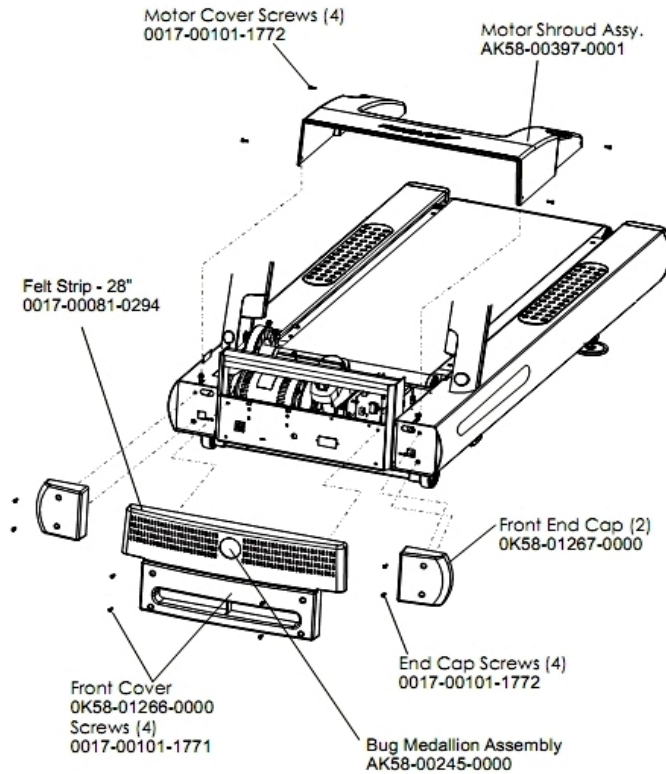
Ref #	Part Number	Qty	Description
-	0017-00021-2846	1	F-Type Panel Connector
-	0017-00008-0205	1	5 oz Bottle - Arctic Silver
-	AK58-00329-0000	1	Access Panel Assembly
-	AK58-00226-0000	1	Hardware Bag
-	0017-00021-2810	1	F-Type Right Angle Adaptor
-	0017-00008-0206	1	.33oz Pen - Arctic Silver
-	M051-00K58-A160	1	Installation Video
-	0K58-01392-0000	1	Plate: Connector
-	0017-00008-0204	1	Paint Spray Can - Arctic Silver
-	AK32-00020-0002	1	Coax Cable: 120"

Motor Controller Assembly



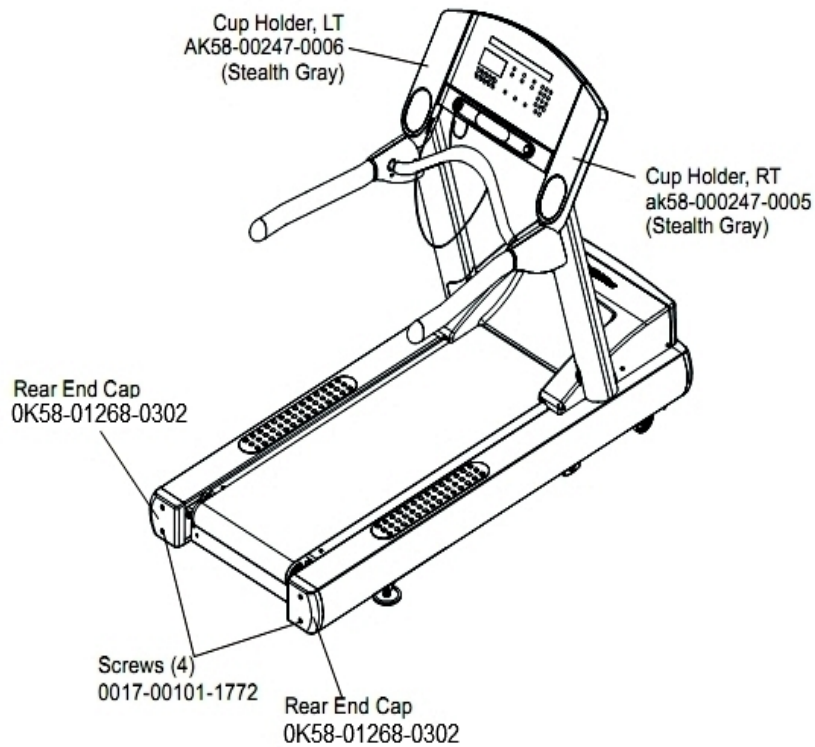
Ref #	Part Number	Qty	Description
-	AK58-00522-0000	1	Cable: Jumper; Power; LED Console
-	AK58-00210-0000	1	Transformer-Bracket Assembly
-	AK65-00071-0009	1	DSP Controller 200-240

Motor Cover, Front Cover And Front End Caps



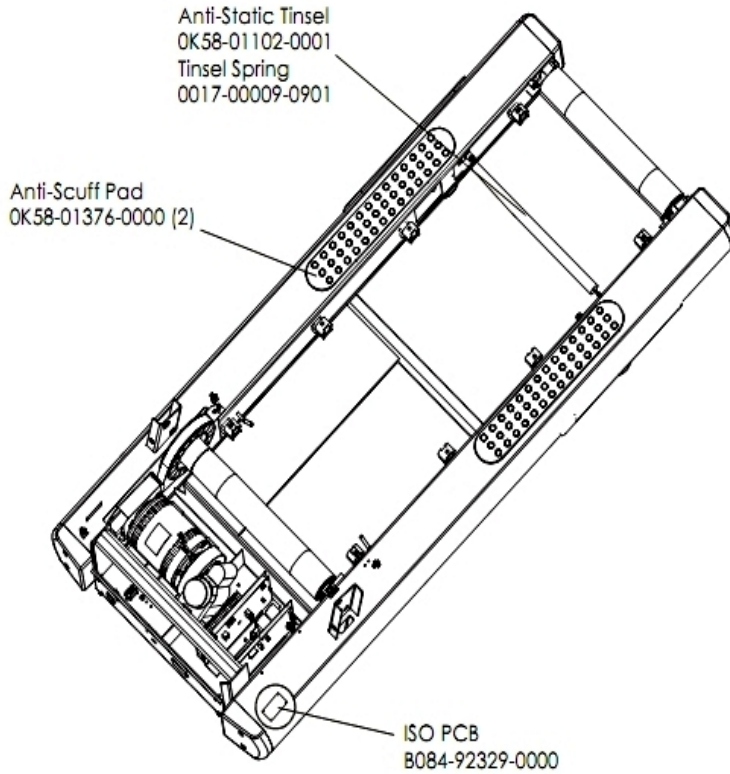
Ref #	Part Number	Qty	Description
-	OK58-01267-0000	2	End Cap
-	0017-00081-0294	1	Felt Strip - 28"
-	0017-00101-1771	4	Hardware: Phillips Pan Screw
-	AK58-00397-0001	1	Motor Shroud Assembly
-	AK58-00245-0000	1	Bug Medallion
-	OK58-01266-0000	1	Front Cover
-	0017-00101-1772	8	Hardware: Phillips Pan Screw 0.5"

Rear End Caps And Cup Holders



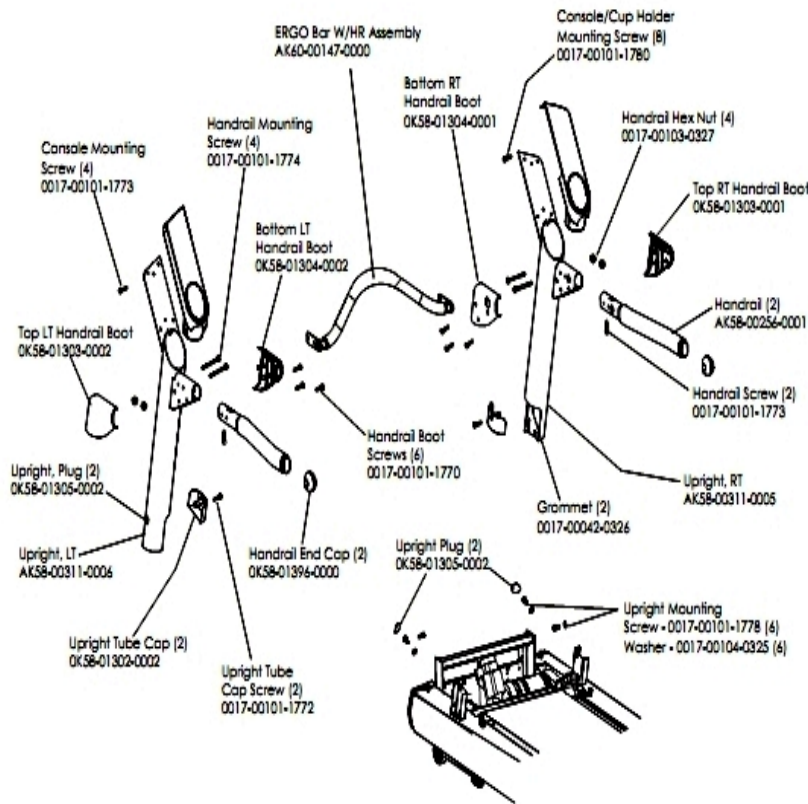
Ref #	Part Number	Qty	Description
-	0017-00101-1772	4	Hardware: Phillips Pan Screw 0.5"
-	OK58-01268-0302	2	ENDCAP: REAR; STEALTH D
-	AK58-00247-0006	1	Cup Holder Left
-	AK58-00247-0005	1	Cup Holder Right

Scuff Pad, Tinsel And Frame Tag Board



Ref #	Part Number	Qty	Description
-	OK58-01376-0000	2	Anti-Scuff Pad
-	B084-92329-0000	1	PCB-ASSY: STRIDE SENSE ISO
-	0017-00009-0901	1	Tinsel Extension Spring
-	OK58-01102-0001	1	Anti-Static Tinsel

Uprights And Handrails



Ref #	Part Number	Qty	Description
-	0017-00104-0325	6	Hardware: Washer 0.873" OD
-	AK60-00147-0000	1	ERGO Bar with Heart Rate Sensor
-	OK58-01302-0103	2	Cap: Upright Tube; Arctic Silver
-	OK58-01305-0002	4	Upright Plug
-	AK58-00256-0001	2	Handrail
-	AK58-00311-0005	1	Upright: Right
-	0017-00042-0326	2	Hardware: Plastic Grommet
-	0017-00101-1772	2	Hardware: Phillips Pan Screw 0.5"
-	0017-00101-1778	6	Hardware: Hex Bolt 1"
-	AK58-00311-0006	1	Upright: Left
-	OK58-01304-0001	1	Bottom Right Handrail Boot
-	OK58-01303-0002	1	Top Left Handrail Boot
-	0017-00101-1770	6	Hardware: Phillips Pan Screw 0.5"
-	OK58-01396-0000	2	Endcap
-	0017-00101-1774	4	Hardware: TORX Screw 2.5"
-	0017-00101-1780	8	Hardware: Mounting Screws
-	0017-00101-1773	6	Hardware: TORX Screw 0.5"
-	OK58-01303-0001	1	Top Right Handrail Boot
-	0017-00103-0327	4	Hardware: Hex Nut 5/16" ID

