

Classic Treadmill - AUSSIE High VT English

CLST-2104-03

Parts Manual

1/5/2019 12:46:34 PM

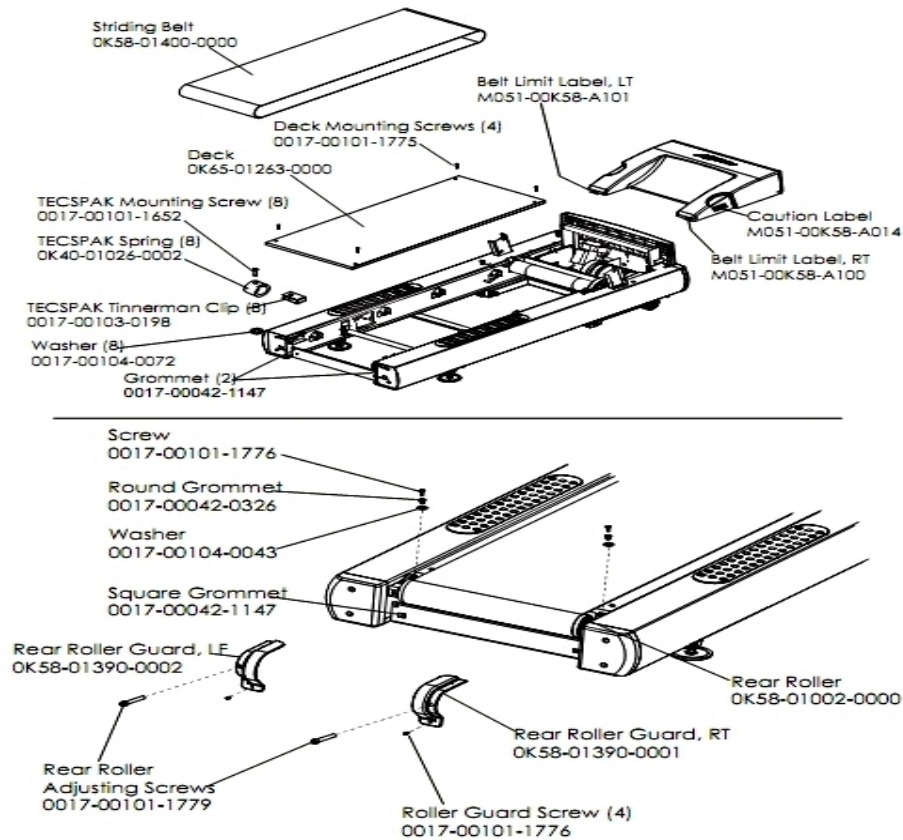


LifeFitness
WHAT WE LIVE FOR

Table of Contents

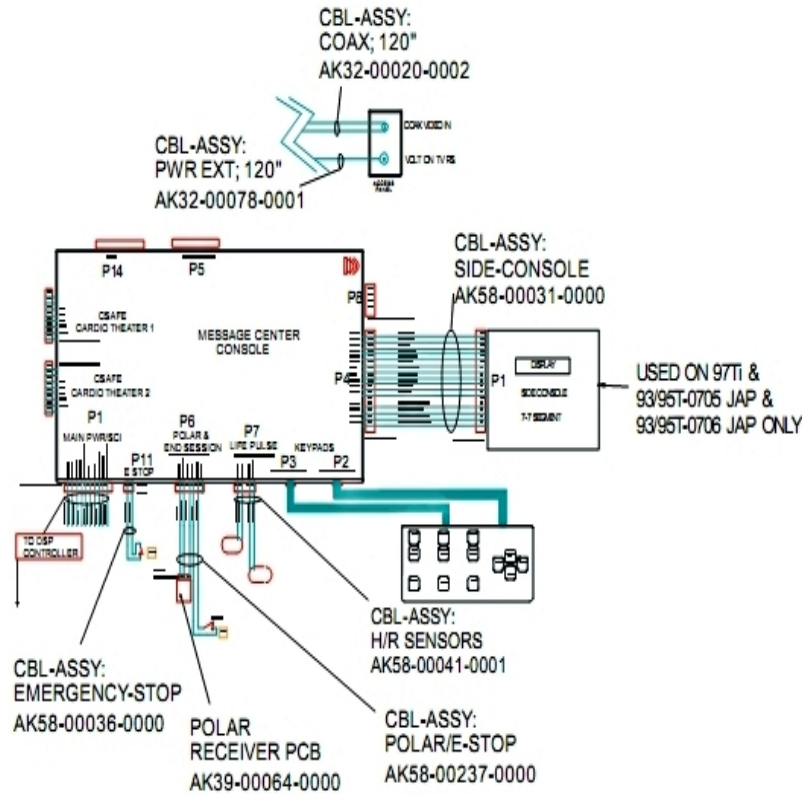
Belt, Deck And Rear Roller	3
Block Diagram 1	4
Block Diagram 2	5
Block Diagram 3	6
Console And Related Components	7
Drive Motor Assembly	8
Ergo Bar With Heart Rate Assembly	9
Front Roller Assembly	10
Idle Arm Assembly And Static Brush	11
Leveler Assembly	12
Lift Frame, Lift Motor And IEC Receptacle	13
Line Cords And Line Cord Options	14
Miscellaneous	15
Motor Controller Assembly	16
Motor Cover, Front Cover And Front End Caps	17
Rear End Caps And Cup Holders	18
Scuff Pad, Tinsel And Frame Tag Board	19
Uprights And Handrails	20

Belt, Deck And Rear Roller



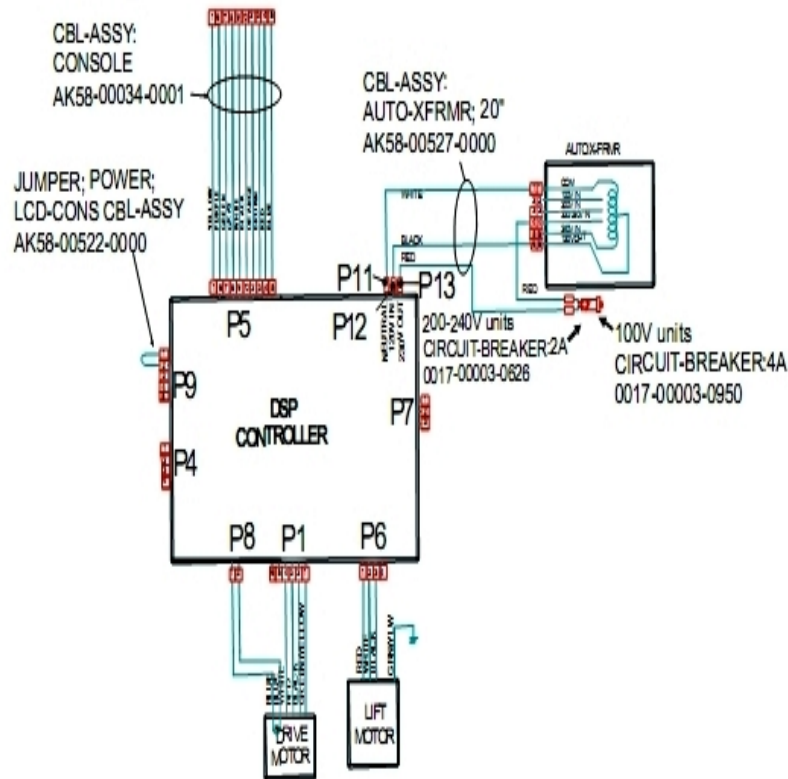
Ref #	Part Number	Qty	Description
-	0017-00101-1775	4	Hardware: Deck Screws 1.25"
-	OK40-01026-0002	8	Deck Spring
-	OK65-01263-0000	1	Deck
-	0017-00103-0198	8	Hardware: Tinnerman Clip 1/4" ID
-	0017-00104-0072	8	Hardware: Flat Washer 0.562" OD
-	M051-00K58-A100	1	Label: Belt Limit: Right
-	0017-00101-1779	2	Hardware: Rear Roller Adjusting Bolt
-	OK58-01400-0000	1	Striding Belt
-	0017-00042-0326	2	Hardware: Plastic Grommet
-	0017-00042-1147	4	Hardware: Nylon Grommet
-	0017-00101-1652	8	Hardware: Spring Mounting Screw 1"
-	0017-00104-0043	2	Hardware: Flat Washer 0.734" OD
-	OK58-01002-0000	1	Rear Roller - 3.5"
-	OK58-01390-0002	1	Rear Roller Guard Left
-	M051-00K58-A014	1	Label: Caution
-	0017-00101-1776	6	Hardware: Mounting Screw 0.5"
-	M051-00K58-A101	1	Belt Limit Label. Left
-	OK58-01390-0001	1	Rear Roller Guard Right

Block Diagram 1



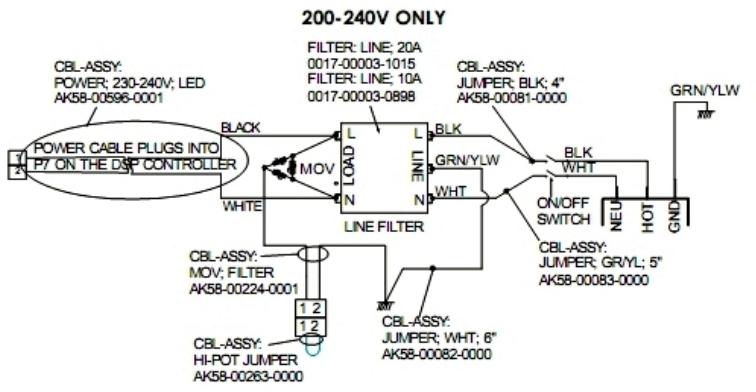
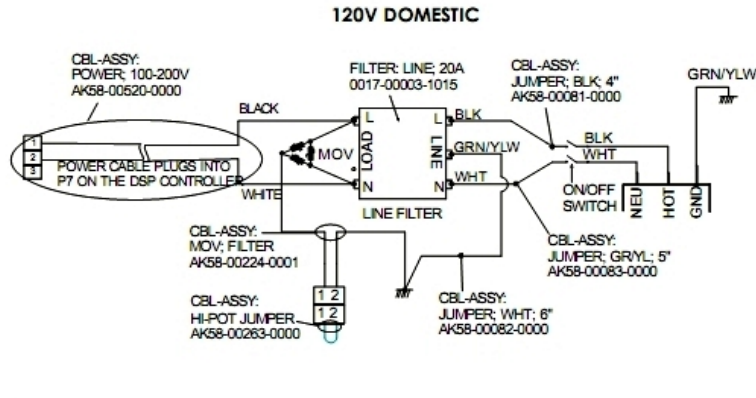
Ref #	Part Number	Qty	Description
-	AK58-00237-0000	1	Cable-Assembly: Polar/E-Stop
-	AK58-00036-0000	1	Cable-Assembly: Emergency-Stop Switch
-	AK58-00031-0000	1	Side Console Cable Assembly
-	118E-00001-0259	1	Wireless Receiver Module, Non-Coded
-	AK32-00078-0001	1	Power Extension Cable: 120"
-	AK32-00020-0002	1	Coax Cable: 120"
-	AK58-00041-0001	1	Heart Rate Sensor Cable

Block Diagram 2



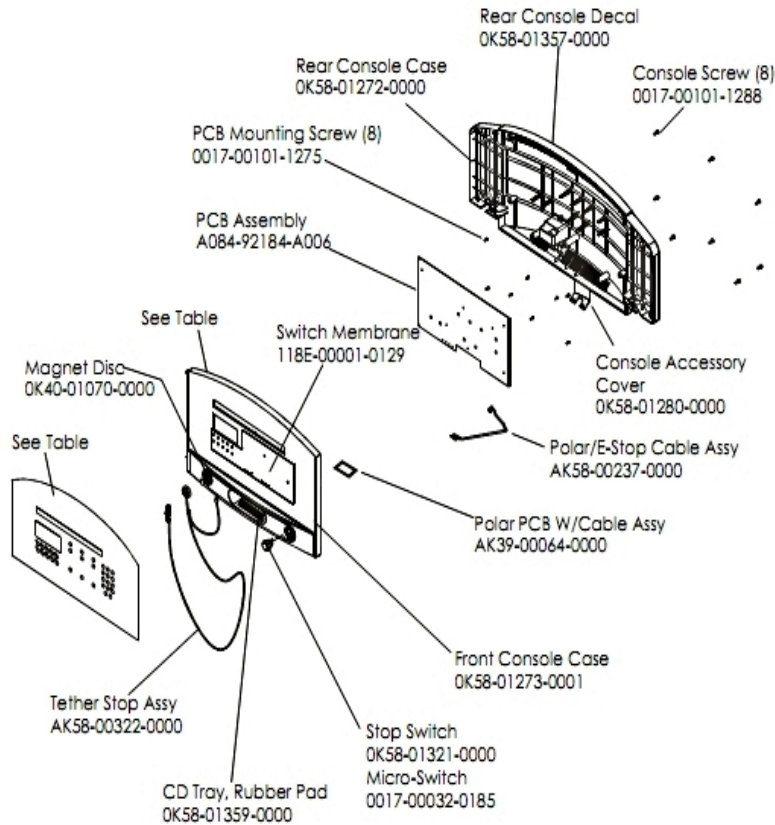
Ref #	Part Number	Qty	Description
-	0017-00003-0626	1	CIRCUIT-BREAKER:2A 200-240V
-	AK58-00527-0000	1	Auto-Transformer: Use on High Voltage
-	AK58-00522-0000	1	Cable: Jumper; Power; LED Console
-	AK58-00034-0001	1	Console Power Cable

Block Diagram 3



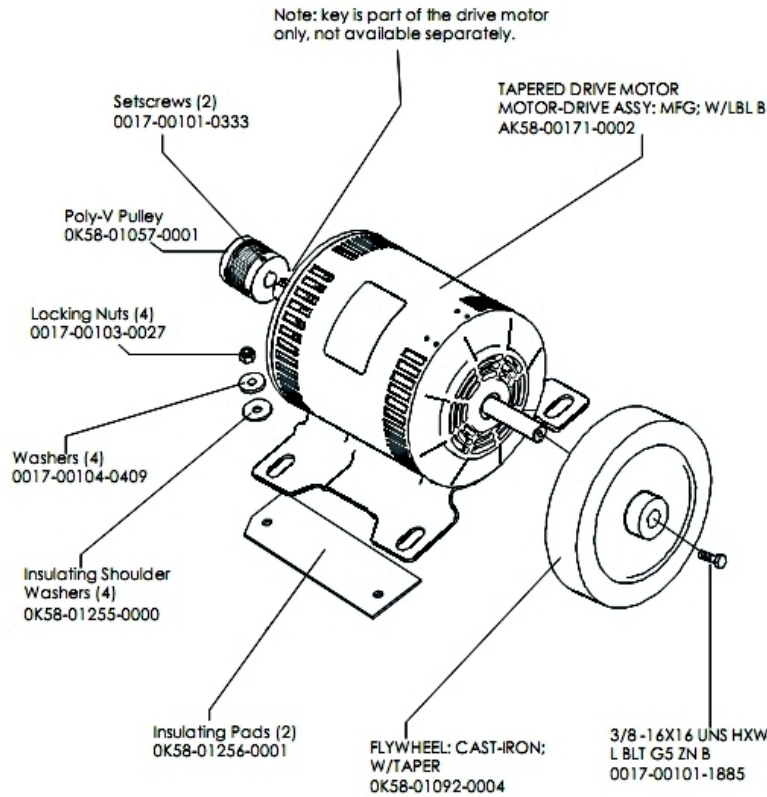
Ref #	Part Number	Qty	Description
-	AK58-00082-0000	1	Jumper Cable Assembly: White - 6"
-	AK58-00083-0000	1	Cable Assembly
-	AK58-00596-0001	1	Power Cable: 230-240V
-	AK58-00224-0001	1	Cable: MOV; Fliter
-	0017-00003-0898	1	10 amp Line Filter (INT)
-	AK58-00081-0000	1	Jumper Cable Assembly: Black - 4"
-	AK58-00263-0000	1	Hi-Pot Jumper Cable
-	0017-00003-1015	1	20 amp Line Filter (DOM)

Console And Related Components



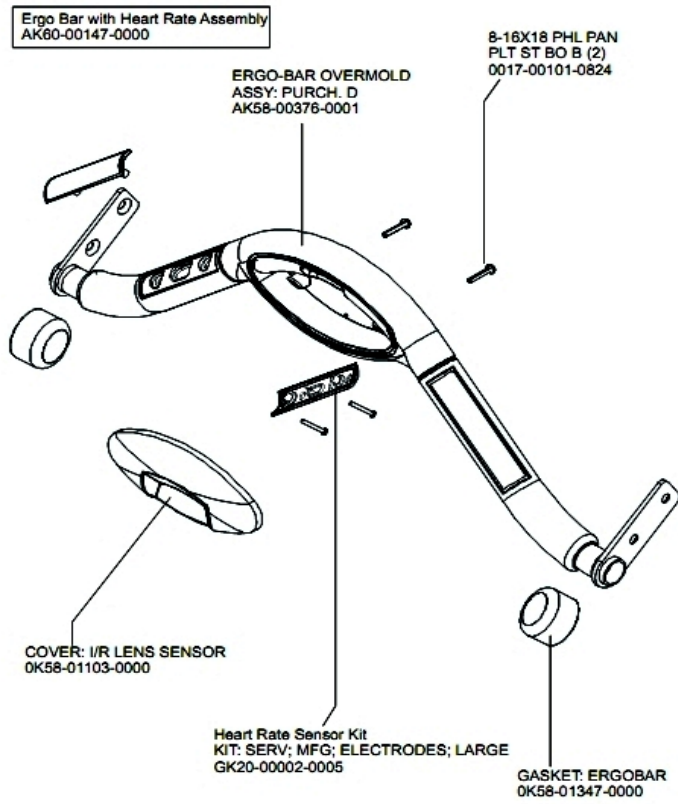
Ref #	Part Number	Qty	Description
-	OK58-01298-0001	1	Console English/Metric
-	AK58-00322-0000	1	Tether Stop Assembly
-	118E-00001-0129	1	Switch Membrane
-	A084-92184-A006	1	PCB Assembly
-	AK58-00580-0001	1	Console: English/English
-	OK58-01273-0001	1	Front Console Case
-	AK58-00237-0000	1	Cable-Assembly: Polar/E-Stop
-	OK58-01359-0000	1	Rubber Pad
-	OK40-01070-0000	1	Magnetic Disk
-	118E-00001-0259	1	Wireless Receiver Module, Non-Coded
-	0017-00032-0185	1	Micro Switch 150GR
-	OK58-01280-0000	1	Accessory Cover
-	0017-00101-1275	8	Hardware: Phillips Screw 0.375"
-	0017-00101-1288	8	Hardware: Phillips Screw 0.5"
-	OK58-01357-0000	1	Decal
-	OK58-01272-0000	1	Rear Console Case
-	OK58-01321-0000	1	Stop Switch

Drive Motor Assembly



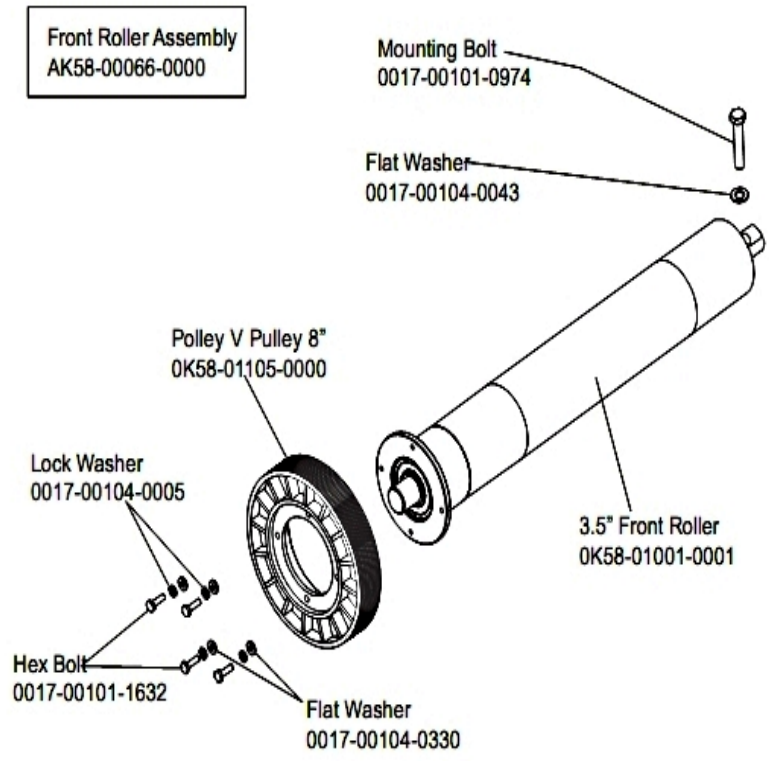
Ref #	Part Number	Qty	Description
-	0017-00103-0027	4	Hardware: Locking Nut. 5/16" ID
-	OK58-01057-0001	1	Drive Pulley - 1.971"
-	0017-00101-1885	1	Hardware: Hex Bolt 1"
-	OK58-01255-0000	4	Hardware: Insulating Washers
-	0017-00104-0409	4	Hardware: Washer 1.125" OD
-	OK58-01386-0004	1	MOTOR: MAIN DRIVE, 230V/50HZ, W/TAPER
-	0017-00101-0333	2	Hardware: Screw 0.3125"
-	OK58-01256-0001	2	Insulating Pad
-	OK58-01092-0004	1	Cast Iron Flywheel

Ergo Bar With Heart Rate Assembly



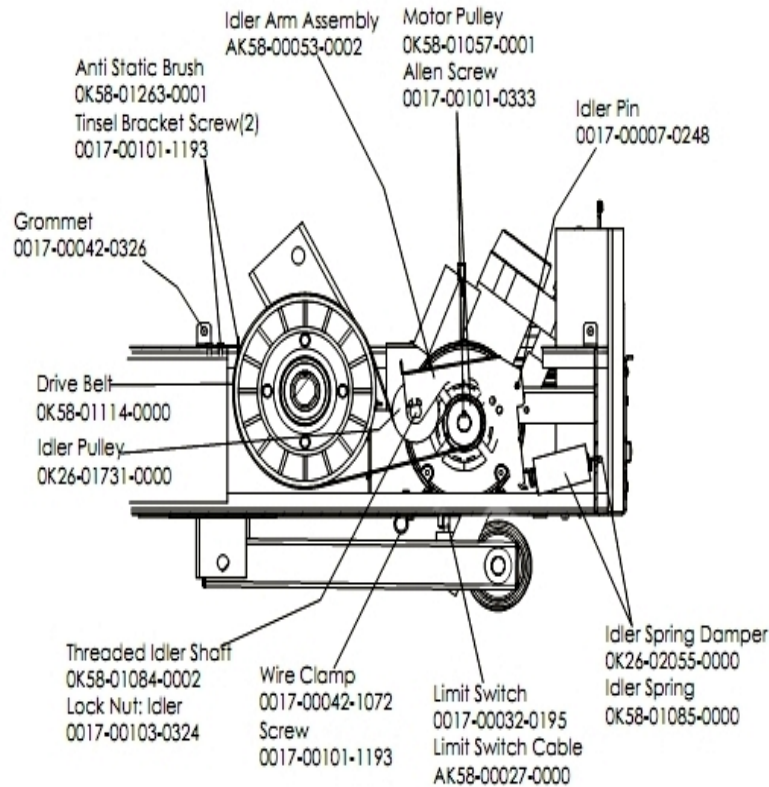
Ref #	Part Number	Qty	Description
-	AK58-00064-0000	1	I/R Lens Cover Assembly
-	GK20-00002-0005	2	Heart Rate Electrode Kit
-	0017-00101-0824	2	Hardware: Screw 1.125"
-	OK58-01347-0000	2	ErgoBar Gasket
-	AK58-00376-0001	1	Ergo-Bar Overmold Assembly
-	AK60-00147-0000	1	ERGO Bar with Heart Rate Sensor

Front Roller Assembly



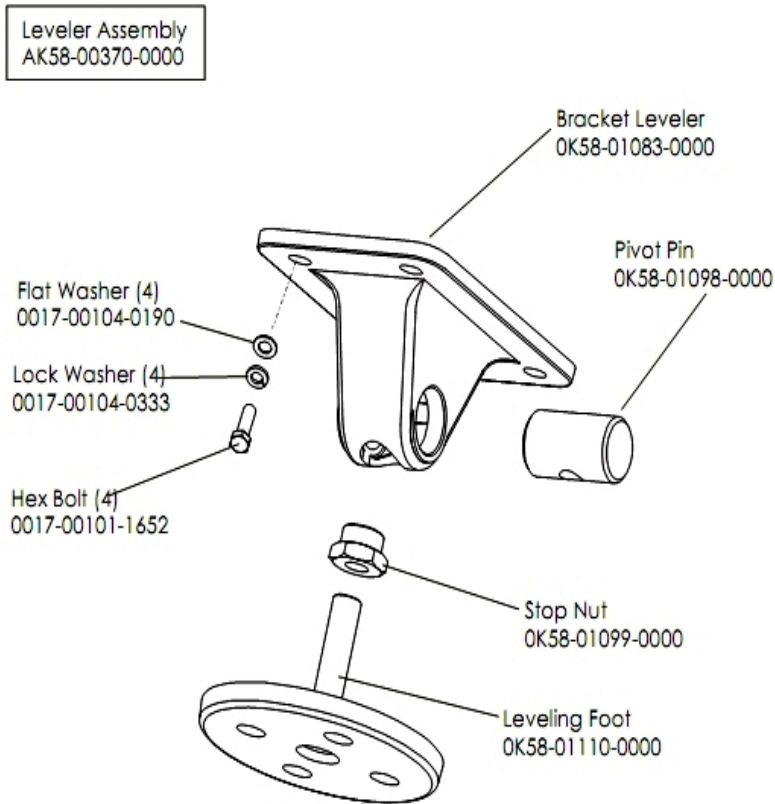
Ref #	Part Number	Qty	Description
-	0017-00101-0974	1	Hardware: Mounting Bolt 2"
-	0017-00101-1632	4	Hardware: Hex Bolt 0.875"
-	0K58-01105-0000	1	Drive Pulley Poly V - 8"
-	0K58-01001-0001	1	Front Roller - 3.5"
-	0017-00104-0005	4	Hardware: Lock Washer 0.489" OD
-	0017-00104-0330	4	Hardware: Flat Washers 0.562" OD
-	AK58-00066-0000	1	Front Roller Assembly
-	0017-00104-0043	1	Hardware: Flat Washer 0.734" OD

Idler Arm Assembly And Static Brush



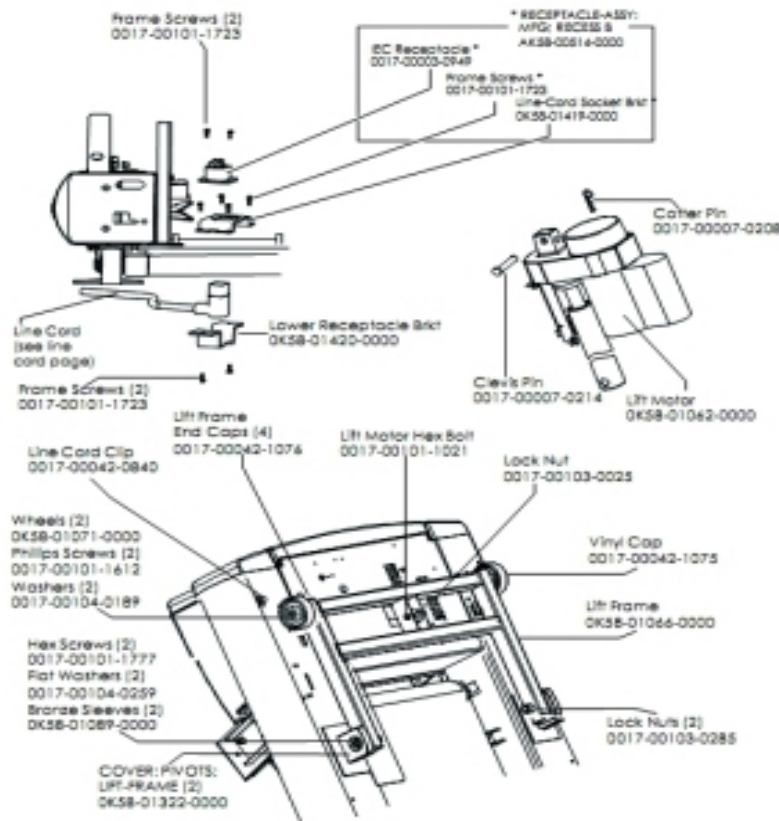
Ref #	Part Number	Qty	Description
-	OK58-01057-0001	1	Drive Pulley - 1.971"
-	OK58-01263-0001	1	Tinsel Bracket
-	AK58-00027-0000	1	Limit Switch Cable
-	OK26-01731-0000	1	Plastic Idler 2 5/8" OD
-	OK26-02055-0000	1	Spring Damper
-	0017-00032-0195	1	Home Switch
-	0017-00042-1072	1	Hardware: Wire Clamp - 5/8"
-	0017-00007-0248	1	Hardware: Locking Pin .31" D 2.125" L
-	0017-00042-0326	1	Hardware: Plastic Grommet
-	0017-00101-1193	3	Hardware: Screw 0.375"
-	OK58-01114-0000	1	Poly-V Drive Belt - 370J12
-	OK58-01084-0002	1	Threaded Shaft
-	0017-00101-0333	1	Hardware: Screw 0.3125"
-	AK58-00053-0002	1	Idler Arm Assembly
-	OK58-01085-0000	1	Extension Spring
-	0017-00103-0324	1	Hardware: Thin Lock Nut 3/8" ID

Leveler Assembly



Ref #	Part Number	Qty	Description
-	OK58-01083-0000	1	Leveler Bracket
-	AK58-00370-0000	1	Leveler Assembly
-	0017-00101-1652	4	Hardware: Spring Mounting Screw 1"
-	0017-00104-0190	4	Hardware: Flat Washer 0.734" OD
-	0017-00104-0333	4	Hardware: Washer 0.683" OD
-	OK58-01110-0000	1	Leveler Foot
-	OK58-01098-0000	1	Hardware: Pivot Pin
-	OK58-01099-0000	1	Hardware: Stop Nut

Lift Frame, Lift Motor And IEC Receptacle



Ref #	Part Number	Qty	Description
-	AK58-00220-0000	1	LIFT-FRAME ASSY: MFG. C
-	0017-00042-1076	4	Lift Frame End Cap
-	0K58-01322-0000	2	Lift Frame Pivot Cover
-	0017-00103-0285	2	Hardware: Nut 5/8" ID
-	0K58-01062-0000	1	Lift Motor - 120/60
-	0K58-01420-0000	1	Lower Receptacle Bracket
-	0K58-01089-0000	2	Bronze Sleeve Bushings
-	0017-00042-0840	1	Hardware: Push Mount Clip
-	0K58-01071-0000	2	Wheel
-	0017-00101-1612	2	Hardware: Phillips Screw 0.5"
-	0017-00003-0949	1	IEC Receptacle
-	0017-00007-0214	1	Hardware: Clevis Pin 3/8" D 1.75" L
-	0017-00042-1075	1	Vinyl Cap
-	0017-00104-0259	2	Hardware: Washer 1.331" OD
-	0017-00103-0025	1	Hardware: Locking Nut 3/8" ID
-	0017-00007-0208	1	Hardware: Cotter Pin
-	0017-00104-0189	2	Hardware: Flat Washer 1" OD
-	0017-00101-1777	2	Hardware: Lift Frame Mounting Bolt 2.75"
-	0K58-01419-0000	1	Line Cord Socket Bracket
-	0017-00101-1723	5	Hardware: Phillips Pan Screw 0.375"
-	AK58-00514-0000	1	Receptacle Assembly
-	0017-00101-1021	1	Hardware: Lift Motor Hex Bolt 2.5"

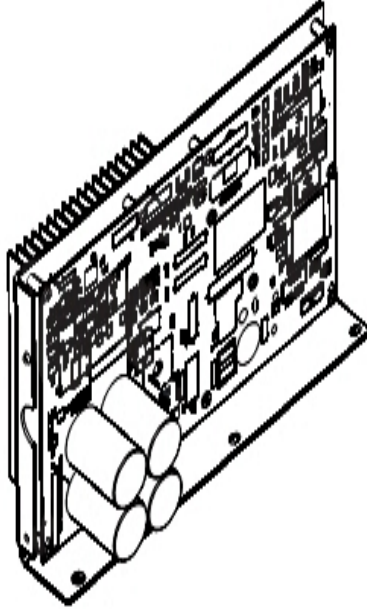
Line Cords And Line Cord Options

Ref #	Part Number	Qty	Description
-	0017-00003-0980	1	Line Cord: US Low Voltage 144"
-	0017-00003-0996	1	Line Cord: Australia 230/50
-	0017-00003-0948	1	12' 220v Line Cord

Miscellaneous

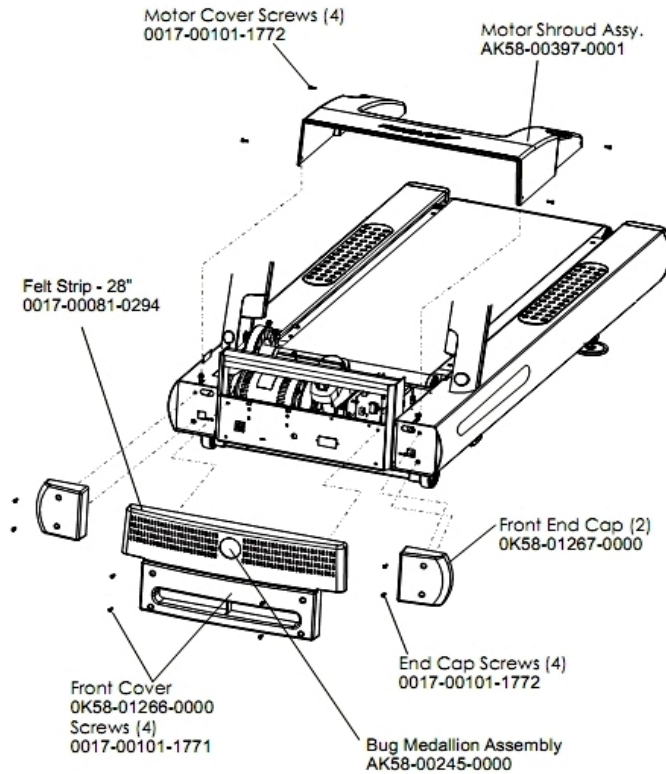
Ref #	Part Number	Qty	Description
-	0K58-01392-0000	1	Plate: Connector
-	AK58-00226-0000	1	Hardware Bag
-	M051-00K58-A160	1	Installation Video
-	0017-00021-2810	1	F-Type Right Angle Adaptor
-	0017-00008-0206	1	.33oz Pen - Arctic Silver
-	AK32-00020-0002	1	Coax Cable: 120"
-	0017-00008-0204	1	Paint Spray Can - Arctic Silver
-	0017-00008-0205	1	5 oz Bottle - Arctic Silver
-	0017-00021-2846	1	F-Type Panel Connector
-	AK58-00329-0000	1	Access Panel Assembly

Motor Controller Assembly



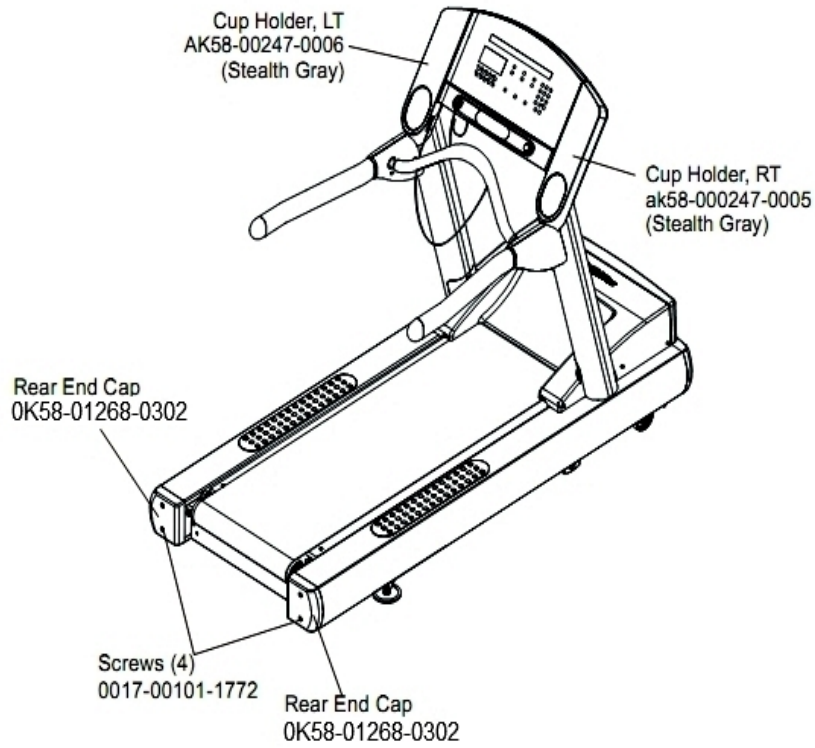
Ref #	Part Number	Qty	Description
-	AK65-00071-0009	1	DSP Controller 200-240
-	AK58-00522-0000	1	Cable: Jumper; Power; LED Console
-	AK58-00210-0000	1	Transformer-Bracket Assembly

Motor Cover, Front Cover And Front End Caps



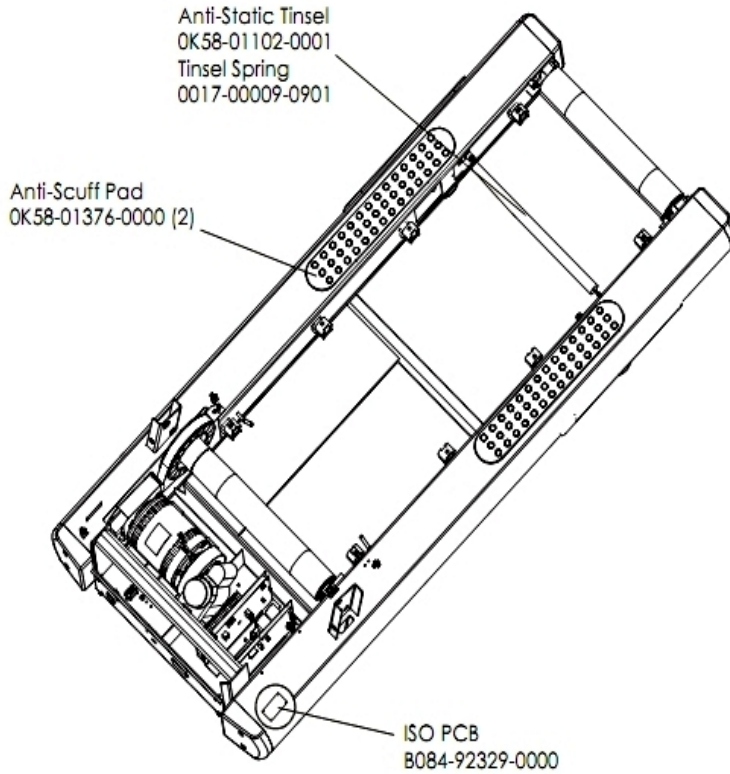
Ref #	Part Number	Qty	Description
-	OK58-01267-0000	2	End Cap
-	0017-00081-0294	1	Felt Strip - 28"
-	OK58-01266-0000	1	Front Cover
-	AK58-00397-0001	1	Motor Shroud Assembly
-	0017-00101-1771	4	Hardware: Phillips Pan Screw
-	0017-00101-1772	8	Hardware: Phillips Pan Screw 0.5"
-	AK58-00245-0000	1	Bug Medallion

Rear End Caps And Cup Holders



Ref #	Part Number	Qty	Description
-	AK58-00247-0005	1	Cup Holder Right
-	0017-00101-1772	4	Hardware: Phillips Pan Screw 0.5"
-	OK58-01268-0302	2	ENDCAP: REAR; STEALTH D
-	AK58-00247-0006	1	Cup Holder Left

Scuff Pad, Tinsel And Frame Tag Board



Ref #	Part Number	Qty	Description
-	B084-92329-0000	1	PCB-ASSY: STRIDE SENSE ISO
-	0017-00009-0901	1	Tinsel Extension Spring
-	OK58-01102-0001	1	Anti-Static Tinsel
-	OK58-01376-0000	2	Anti-Scuff Pad

