

# Integrity CLST Treadmill Base High VT Console

CLST-INHXE-01

## Parts Manual

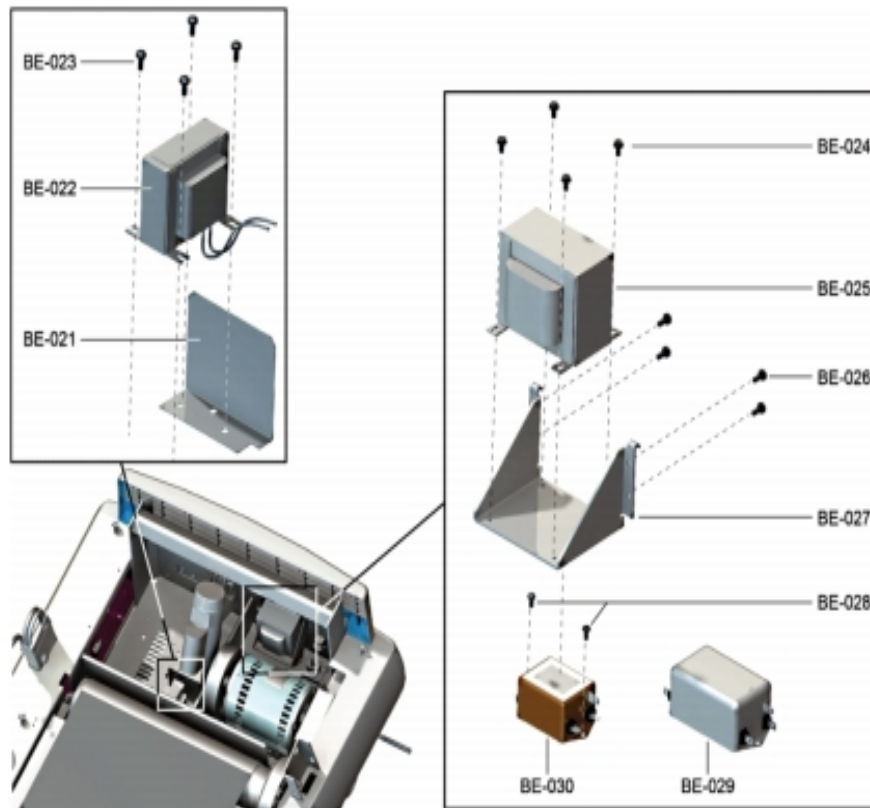
1/5/2019 12:52:21 PM

**Table of Contents**

---

|   |                    |
|---|--------------------|
| <a href="#">Base Frame Electronics - PFC, Line Filter And Transformer.....</a>    | <a href="#">3</a>  |
| <a href="#">Base Frame Electronics - DSP Motor Controller Assembly.....</a>       | <a href="#">4</a>  |
| <a href="#">Base Frame Electronics - Stride Sensor Assembly.....</a>              | <a href="#">5</a>  |
| <a href="#">Console Assembly.....</a>   | <a href="#">6</a>  |
| <a href="#">Drive Motor - Drive Motor Parts.....</a>                              | <a href="#">8</a>  |
| <a href="#">Drive Motor - Main Drive System And Miscellaneous Components.....</a> | <a href="#">9</a>  |
| <a href="#">Front Roller Assembly.....</a>  | <a href="#">10</a> |
| <a href="#">Lifepulse And Activity Zone Assembly.....</a>                         | <a href="#">11</a> |
| <a href="#">Lift System - Lift Frame Assembly.....</a>                            | <a href="#">12</a> |
| <a href="#">Lift System - Lift Motor Assembly.....</a>                            | <a href="#">13</a> |
| <a href="#">Lift System - Power Receptacle Assembly.....</a>                      | <a href="#">14</a> |
| <a href="#">Lower Frame - Drive Belt, Anti-Static Brush, Misc.....</a>            | <a href="#">15</a> |
| <a href="#">Lower Frame - Leveler Assembly.....</a>                               | <a href="#">16</a> |
| <a href="#">Lower Frame - Motor Cover, Front Cover, End Caps.....</a>             | <a href="#">17</a> |
| <a href="#">Lower Frame - Running Belt, Deck And Associated Components.....</a>   | <a href="#">18</a> |
| <a href="#">Lower Frame - Side Mounted Components.....</a>                        | <a href="#">19</a> |
| <a href="#">Miscellaneous.....</a>  | <a href="#">20</a> |
| <a href="#">Upper Frame Parts.....</a>  | <a href="#">21</a> |
| <a href="#">Wiring.....</a>   | <a href="#">22</a> |

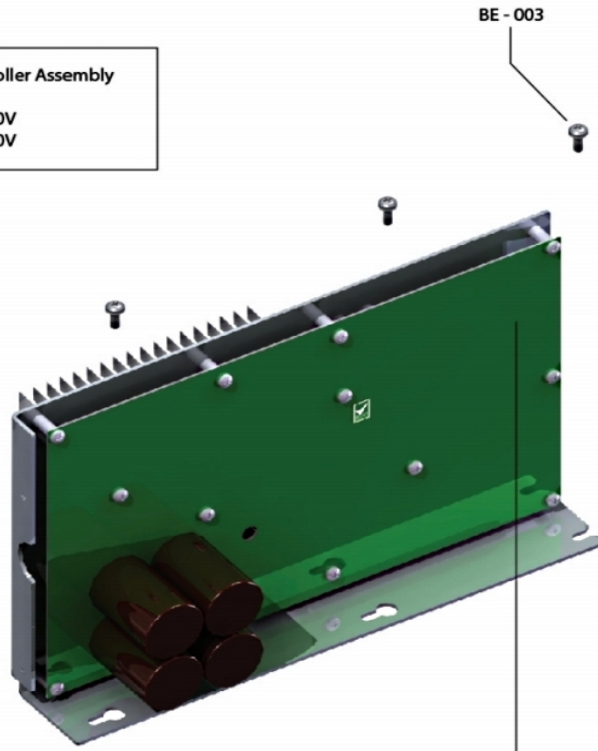
## Base Frame Electornics - PFC, Line Filter And Transformer



| Ref #         | Part Number     | Qty | Description                       |
|---------------|-----------------|-----|-----------------------------------|
| BE-021        | 0K60-01215-0000 | 1   | Inductor Guard                    |
| BE-022        | 111E-00001-0042 | 1   | Inductor: 15MH; 230V              |
| BE-023,BE-026 | 0017-00101-1781 | 8   | Hardware: Phillips Pan Screw 0.5" |
| BE-024        | 0017-00101-1193 | 4   | Hardware: Screw 0.375"            |
| BE-025        | 0017-00003-0905 | 1   | Transformer (EURO Only)           |
| BE-027        | 0K58-01314-0000 | 1   | Transformer Bracket               |
| BE-028        | 0017-00101-0162 | 2   | Hardware: Screw 0.375"            |
| BE-030        | 0017-00003-0898 | 1   | 10 amp Line Filter (INT)          |

# Base Frame Electronics - DSP Motor Controller Assembly

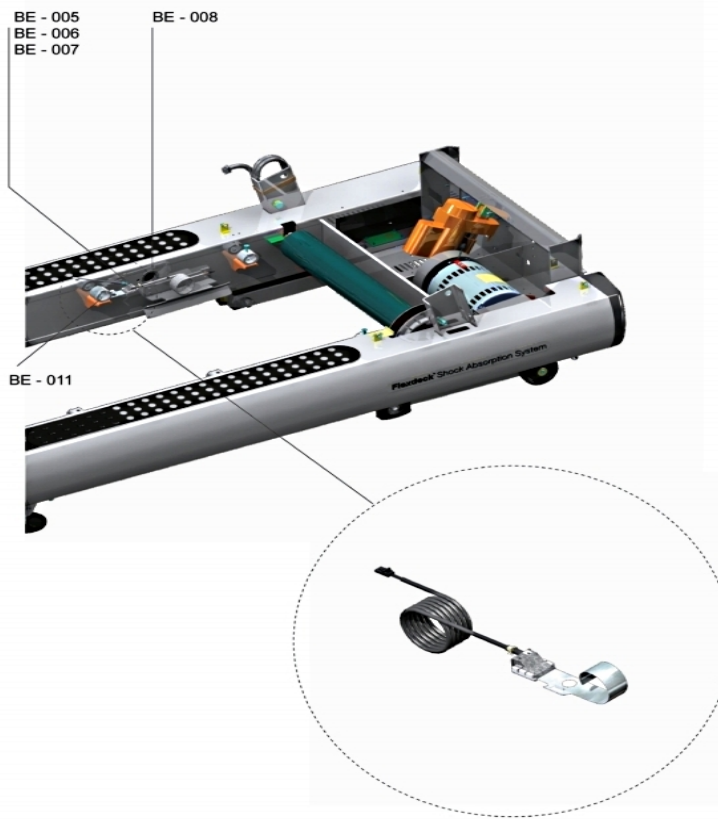
DSP Motor Controller Assembly  
BE - 001: 100-120V  
BE - 002: 200-240V



*Note: Keep the jumper (BE - 004), the DSP Motor Controller is not supplied with it.*

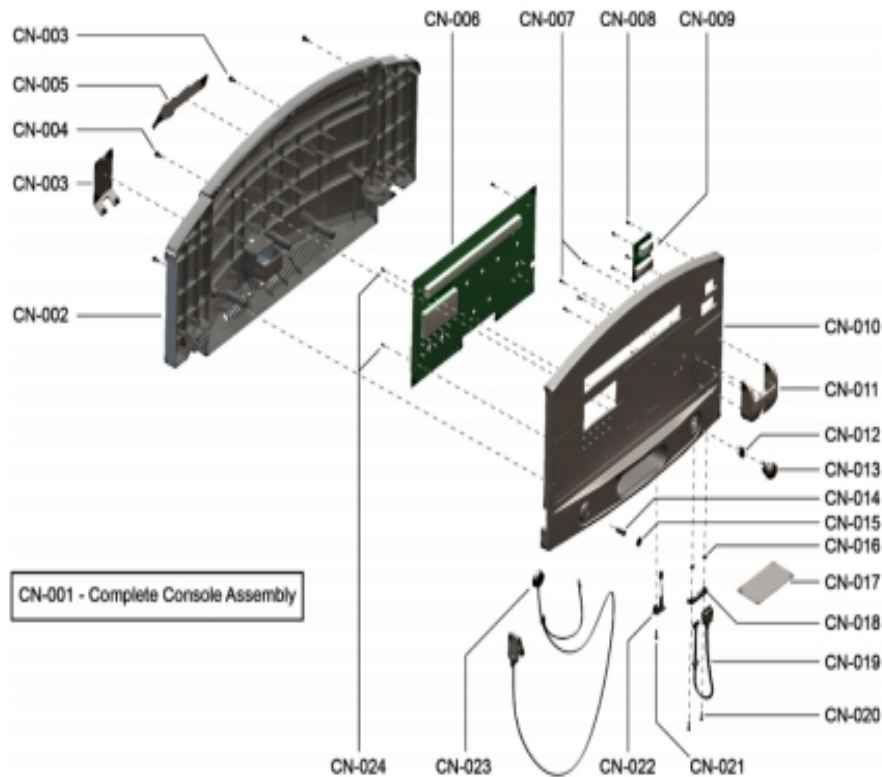
| Ref #  | Part Number     | Qty | Description                       |
|--------|-----------------|-----|-----------------------------------|
| BE-001 | AK75-00005-0001 | 1   | Motor Controller: 230V            |
| BE-003 | 0017-00101-1781 | 3   | Hardware: Phillips Pan Screw 0.5" |
| BE-004 | AK86-00027-0000 | 1   | 6V Power Jumper                   |

## Base Frame Electronics - Stride Sensor Assembly



| Ref #  | Part Number     | Qty | Description                    |
|--------|-----------------|-----|--------------------------------|
| BE-006 | 0017-00101-0883 | 2   | Hardware: Screw 0.375"         |
| BE-008 | 0017-00042-1180 | 1   | Hardware: Snap Bushing - 1.75" |

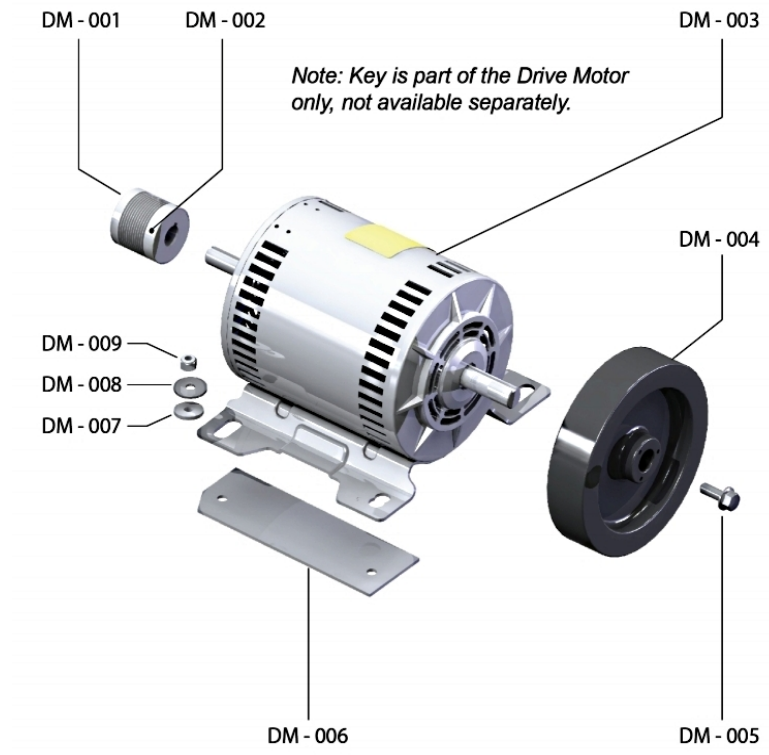
## Console Assembly



| Ref #         | Part Number     | Qty | Description                          |
|---------------|-----------------|-----|--------------------------------------|
| CN-001        | CLEDT-ENGEX-02N | 1   | INTEGRITY CLST TREAD CONSOLE ENG/ENG |
| CN-001        | CLEDT-FRNMX-02N | 1   | INTEGRITY CLST TREAD CONSOLE FRN/MET |
| CN-001        | CLEDT-ITLMX-02N | 1   | INTEGRITY CLST TREAD CONSOLE ITL/MET |
| CN-001        | CLEDT-RUSMX-02N | 1   | INTEGRITY CLST TREAD CONSOLE RUS/MET |
| CN-001        | CLEDT-SPNMX-02N | 1   | INTEGRITY CLST TREAD CONSOLE SPN/MET |
| CN-001        | CLEDT-GERMX-02N | 1   | INTEGRITY CLST TREAD CONSOLE GER/MET |
| CN-001        | CLEDT-DUTMX-02N | 1   | INTEGRITY CLST TREAD CONSOLE DUT/MET |
| CN-002        | 0K58-01272-0202 | 1   | Rear Console Case                    |
| CN-003        | 0K58-01280-0201 | 1   | Console Accessory Cover              |
| CN-004        | 0017-00101-1288 | 8   | Hardware: Phillips Screw 0.5"        |
| CN-005        | 0K58-01357-0001 | 1   | Rear Console Decal                   |
| CN-006        | A084-92366-0001 | 1   | PCB: Tread                           |
| CN-007        | 3223501         | 4   | Hardware: Holder Mounting Screw      |
| CN-008,CN-024 | 0017-00101-1275 | 7   | Hardware: Phillips Screw 0.375"      |
| CN-009        | B084-92255-0001 | 1   | Side Display PCB                     |
| CN-010        | AK86-00042-0000 | 1   | Bezel and Overlay: German/Metric     |
| CN-010        | AK86-00041-0000 | 1   | Bezel and Overlay: English/Imperial  |
| CN-010        | AK86-00043-0000 | 1   | Bezel and Overlay: French/Metric     |
| CN-010        | AK86-00045-0000 | 1   | Bezel and Overlay: Italian/Metric    |
| CN-010        | AK86-00047-0000 | 1   | Bezel and Overlay: Russian/Metric    |
| CN-010        | AK86-00044-0000 | 1   | Bezel and Overlay: Spanish/Metric    |

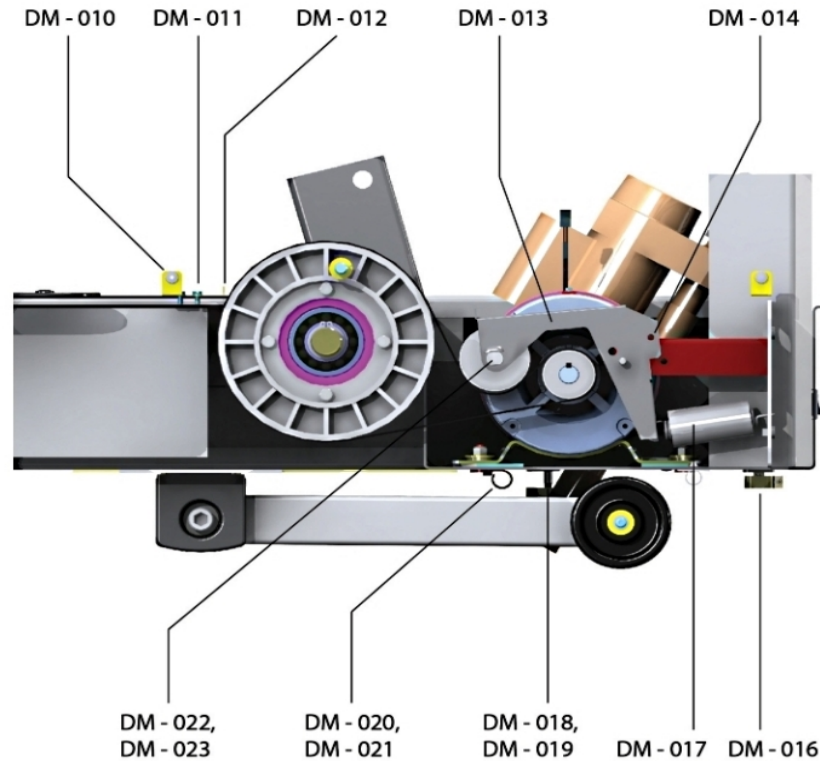
| Ref #         | Part Number     | Qty | Description                             |
|---------------|-----------------|-----|---|
| CN-010        | AK86-00046-0000 | 1   | Bezel and Overlay: Dutch/Metric         |
| CN-011        | 0K86-01003-0200 | 1   | iPod Holder                             |
| CN-012        | 0017-00032-0185 | 1   | Micro Switch 150GR                      |
| CN-013        | 0K58-01321-0000 | 1   | Stop Switch                             |
| CN-014        | AK58-00036-0000 | 1   | Cable-Assembly: Emergency-Stop Switch   |
| CN-015        | 0K40-01070-0000 | 1   | Magnetic Disk                           |
| CN-016        | 0017-00103-0343 | 2   | Hardware: Self-Lock Nut                 |
| CN-017        | 0K86-01031-0700 | 1   | CD Tray Rubber Pad                      |
| CN-018        | 0K86-01004-0200 | 1   | iPod Cable Bracket                      |
| CN-019        | AK86-00088-0200 | 1   | OVERMOLDED IPOD CABLE; TREAD; INTEGRITY |
| CN-020,CN-021 | 0017-00101-1811 | 3   | Hardware: Phillips Pan Screw 0.625"     |
| CN-022        | AK86-00025-0201 | 1   | Headphone Jack                          |
| CN-023        | AK58-00322-0000 | 1   | Tether Stop Assembly                    |

**Drive Motor - Drive Motor Parts**



| Ref #  | Part Number     | Qty | Description                           |
|--------|-----------------|-----|---------------------------------------|
| DM-002 | 0017-00101-0333 | 1   | Hardware: Screw 0.3125"               |
| DM-003 | 0K58-01386-0004 | 1   | MOTOR: MAIN DRIVE, 230V/50HZ, W/TAPER |
| DM-004 | 0K58-01092-0004 | 1   | Cast Iron Flywheel                    |
| DM-005 | 0017-00101-1885 | 1   | Hardware: Hex Bolt 1"                 |
| DM-006 | 0K58-01256-0001 | 2   | Insulating Pad                        |
| DM-007 | 0K58-01255-0000 | 4   | Hardware: Insulating Washers          |
| DM-008 | 0017-00104-0409 | 4   | Hardware: Washer 1.125" OD            |
| DM-009 | 0017-00103-0027 | 4   | Hardware: Locking Nut. 5/16" ID       |

## Drive Motor - Main Drive System And Miscellaneous Components



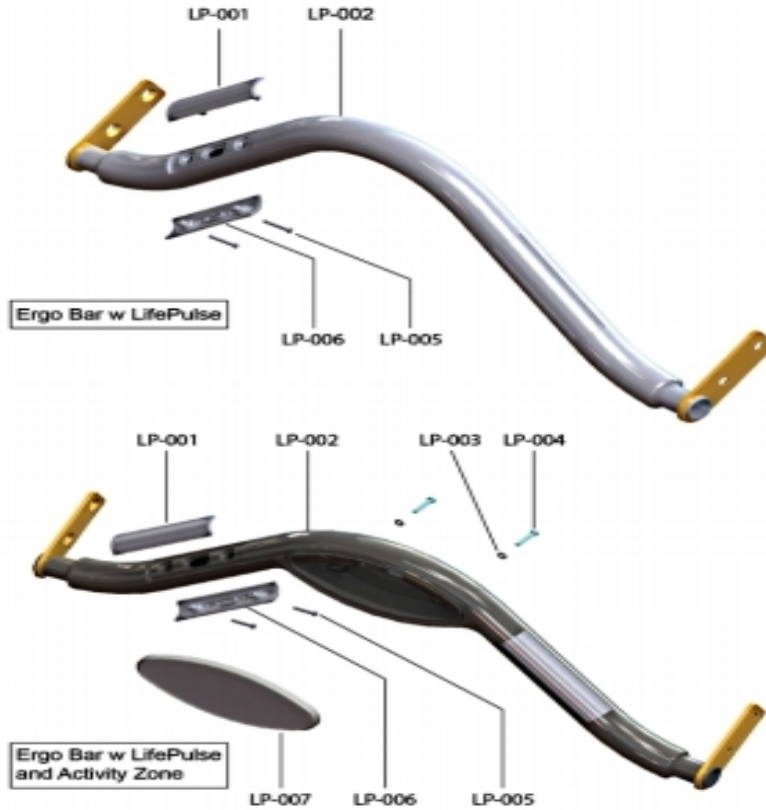
| Ref #             | Part Number     | Qty | Description                           |
|-------------------|-----------------|-----|---------------------------------------|
| DM-010            | 0017-00042-0326 | 1   | Hardware: Plastic Grommet             |
| DM-011,D<br>M-021 | 0017-00101-1193 | 3   | Hardware: Screw 0.375"                |
| DM-012            | 0K58-01263-0001 | 1   | Tinsel Bracket                        |
| DM-013            | AK58-00053-0002 | 1   | Idler Arm Assembly                    |
| DM-014            | 0017-00007-0248 | 1   | Hardware: Locking Pin .31" D 2.125" L |
| DM-016            | 0K26-02055-0000 | 1   | Spring Damper                         |
| DM-017            | 0K58-01085-0000 | 1   | Extension Spring                      |
| DM-018            | 0017-00032-0195 | 1   | Home Switch                           |
| DM-019            | AK58-00027-0000 | 1   | Limit Switch Cable                    |
| DM-020            | 0017-00042-1072 | 1   | Hardware: Wire Clamp - 5/8"           |
| DM-022            | 0K58-01084-0002 | 1   | Threaded Shaft                        |
| DM-023            | 0017-00103-0324 | 1   | Hardware: Thin Lock Nut 3/8" ID       |

## Front Roller Assembly



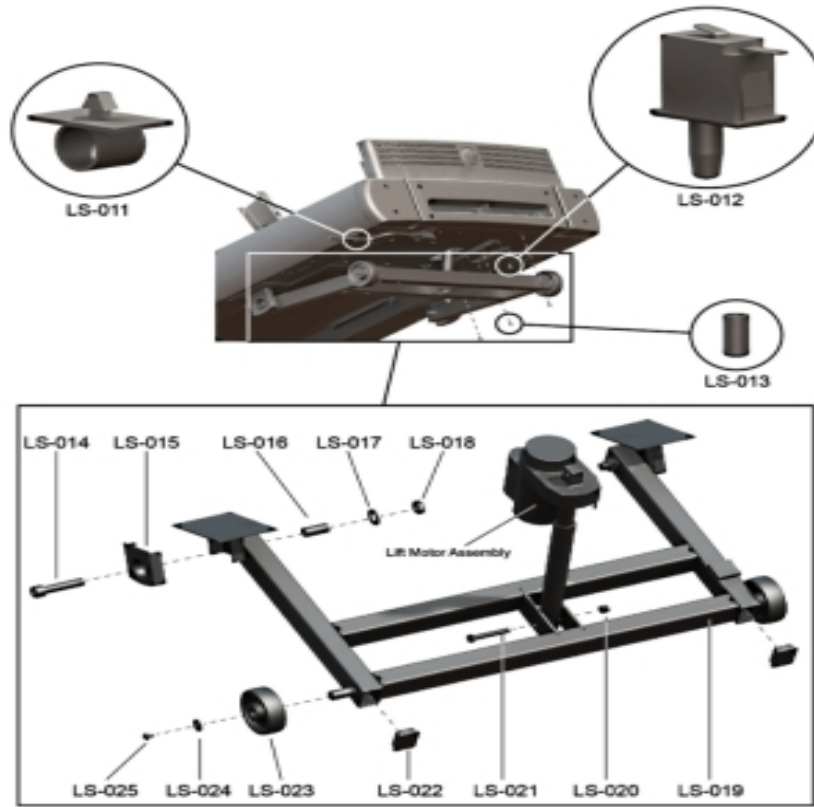
| Ref #  | Part Number     | Qty | Description                      |
|--------|-----------------|-----|----------------------------------|
| FR-001 | AK58-00066-0000 | 1   | Front Roller Assembly            |
| FR-002 | 0017-00101-1632 | 4   | Hardware: Hex Bolt 0.875"        |
| FR-003 | 0017-00104-0005 | 4   | Hardware: Lock Washer 0.489" OD  |
| FR-004 | 0017-00104-0330 | 4   | Hardware: Flat Washers 0.562" OD |
| FR-005 | 0K58-01105-0000 | 1   | Drive Pulley Poly V - 8"         |
| FR-006 | 0K58-01001-0001 | 1   | Front Roller - 3.5"              |
| FR-007 | 0017-00104-0063 | 1   | WSH 645-1.00-012 SP-D ST PH B    |
| FR-008 | 0017-00104-0043 | 1   | Hardware: Flat Washer 0.734" OD  |
| FR-009 | 0017-00101-0974 | 1   | Hardware: Mounting Bolt 2"       |

## Lifepulse And Activity Zone Assembly



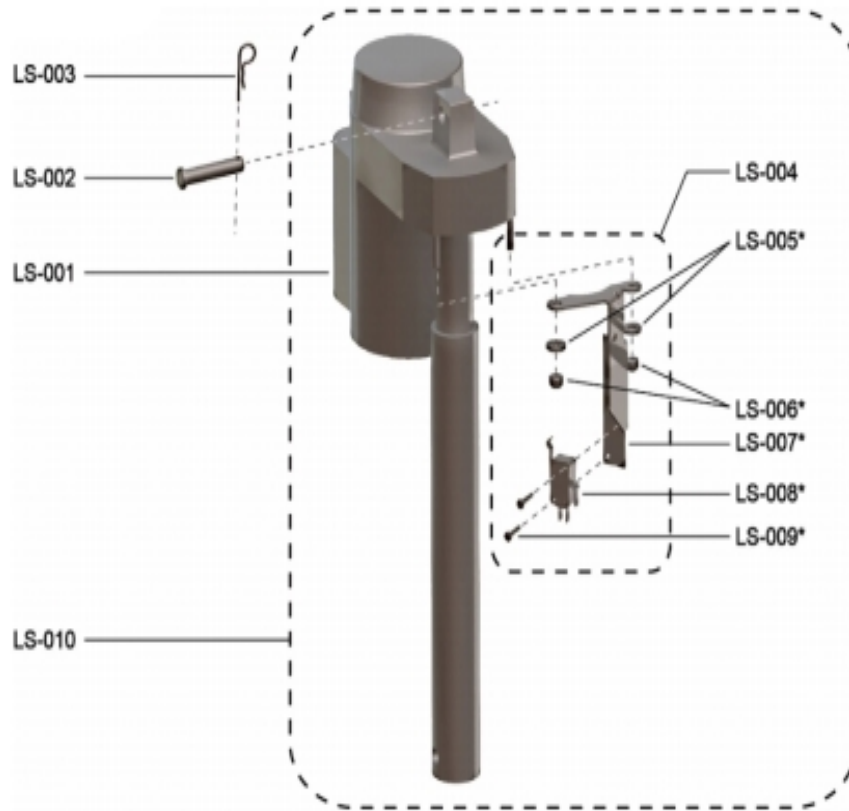
| Ref #  | Part Number     | Qty | Description                     |
|--------|-----------------|-----|---------------------------------|
| LP-001 | AK60-00079-0203 | 1   | Top Electrode                   |
| LP-002 | AK58-00647-0200 | 1   | Ergo Bar w/Lifepulse            |
| LP-003 | 0017-00104-0411 | 2   | Hardware: Flat Washer 0.375" OD |
| LP-005 | 0017-00101-2054 | 4   | Hardware: Screw 1"              |
| LP-006 | AK60-00080-0203 | 1   | Bottom Electrode                |

## Lift System - Lift Frame Assembly



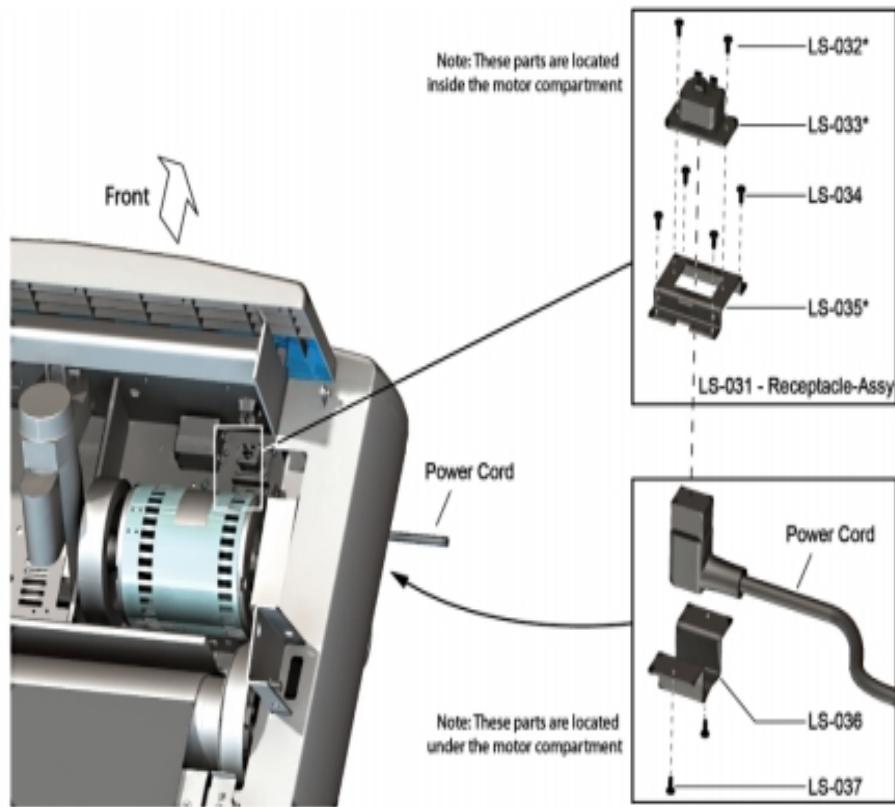
| Ref #  | Part Number     | Qty | Description                              |
|--------|-----------------|-----|--|
| LS-011 | 0017-00042-0840 | 1   | Hardware: Push Mount Clip                |
| LS-012 | 0017-00032-0195 | 1   | Home Switch                              |
| LS-013 | 0017-00042-1075 | 1   | Vinyl Cap                                |
| LS-014 | 0017-00101-1777 | 2   | Hardware: Lift Frame Mounting Bolt 2.75" |
| LS-015 | 0K58-01322-0000 | 2   | Lift Frame Pivot Cover                   |
| LS-016 | 0K58-01089-0000 | 2   | Bronze Sleeve Bushings                   |
| LS-018 | 0017-00103-0285 | 2   | Hardware: Nut 5/8" ID                    |
| LS-019 | AK58-00220-0000 | 1   | LIFT-FRAME ASSY: MFG. C                  |
| LS-020 | 0017-00103-0025 | 1   | Hardware: Locking Nut 3/8" ID            |
| LS-021 | 0017-00101-1021 | 1   | Hardware: Lift Motor Hex Bolt 2.5"       |
| LS-022 | 0017-00042-1076 | 4   | Lift Frame End Cap                       |
| LS-023 | 0K58-01071-0000 | 2   | Wheel                                    |
| LS-024 | 0017-00104-0189 | 2   | Hardware: Flat Washer 1" OD              |
| LS-025 | 0017-00101-1612 | 2   | Hardware: Phillips Screw 0.5"            |

## Lift System - Lift Motor Assembly



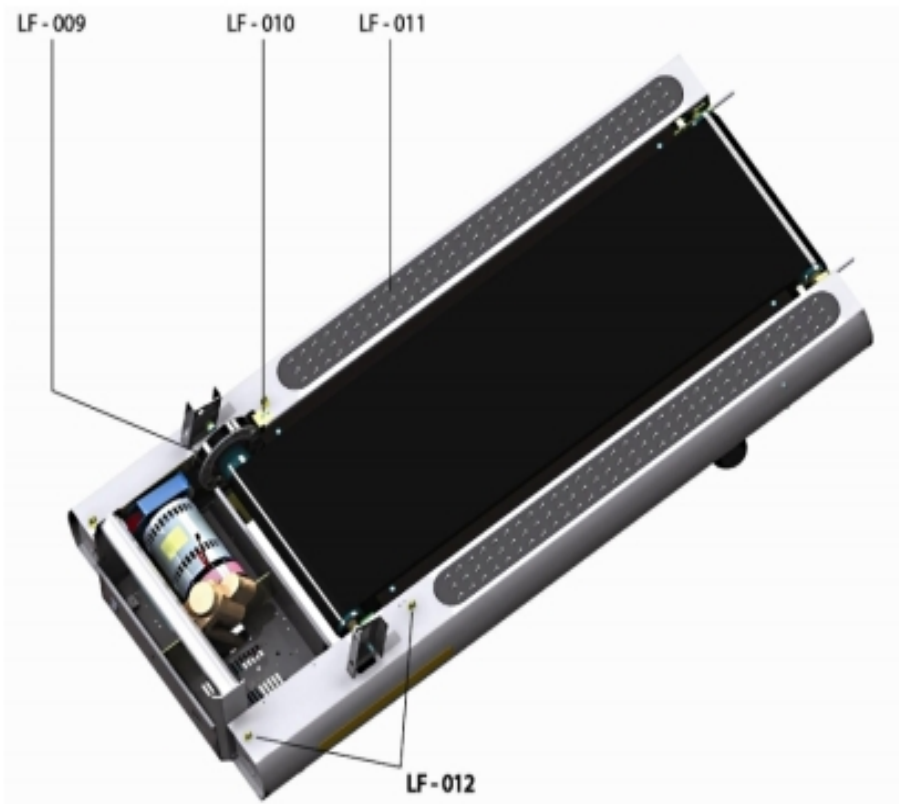
| Ref #  | Part Number     | Qty | Description                         |
|--------|-----------------|-----|-------------------------------------|
| LS-001 | 0K58-01550-0000 | 1   | 230 VOLT LINEAR ACTUATOR            |
| LS-002 | 0017-00007-0214 | 1   | Hardware: Clevis Pin 3/8" D 1.75" L |
| LS-003 | 0017-00007-0208 | 1   | Hardware: Cotter Pin                |

## Lift System - Power Receptacle Assembly



| Ref #                | Part Number     | Qty | Description                         |
|----------------------|-----------------|-----|-------------------------------------|
| LS-031               | AK58-00514-0000 | 1   | Receptacle Assembly                 |
| LS-032,LS-034,LS-037 | 0017-00101-1723 | 8   | Hardware: Phillips Pan Screw 0.375" |
| LS-033               | 0017-00003-0949 | 1   | IEC Receptacle                      |
| LS-035               | 0K58-01419-0000 | 1   | Line Cord Socket Bracket            |
| LS-036               | 0K58-01420-0000 | 1   | Lower Receptacle Bracket            |

**Lower Frame - Drive Belt, Anti-Static Brush, Misc**



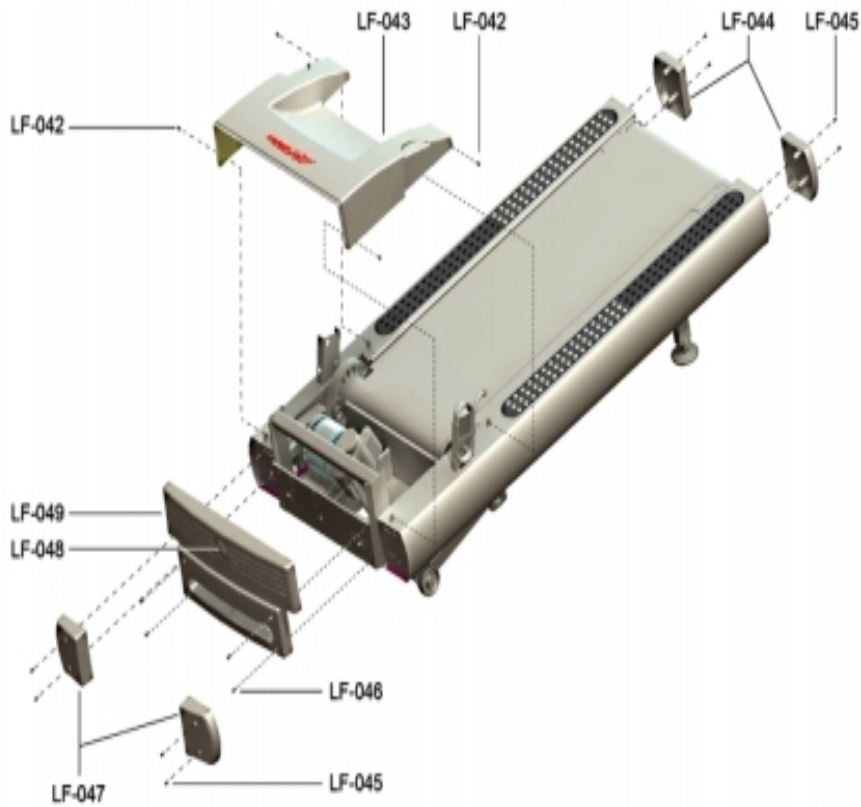
| Ref #  | Part Number     | Qty | Description                |
|--------|-----------------|-----|----------------------------|
| LF-009 | 0K58-01114-0000 | 1   | Poly-V Drive Belt - 370J12 |
| LF-010 | 0017-00101-1193 | 2   | Hardware: Screw 0.375"     |
| LF-010 | 0K58-01263-0001 | 1   | Tinsel Bracket             |
| LF-011 | 0K58-01376-0201 | 2   | Anti-Scuff Pad             |
| LF-012 | 0017-00042-0326 | 1   | Hardware: Plastic Grommet  |

## Lower Frame - Leveler Assembly



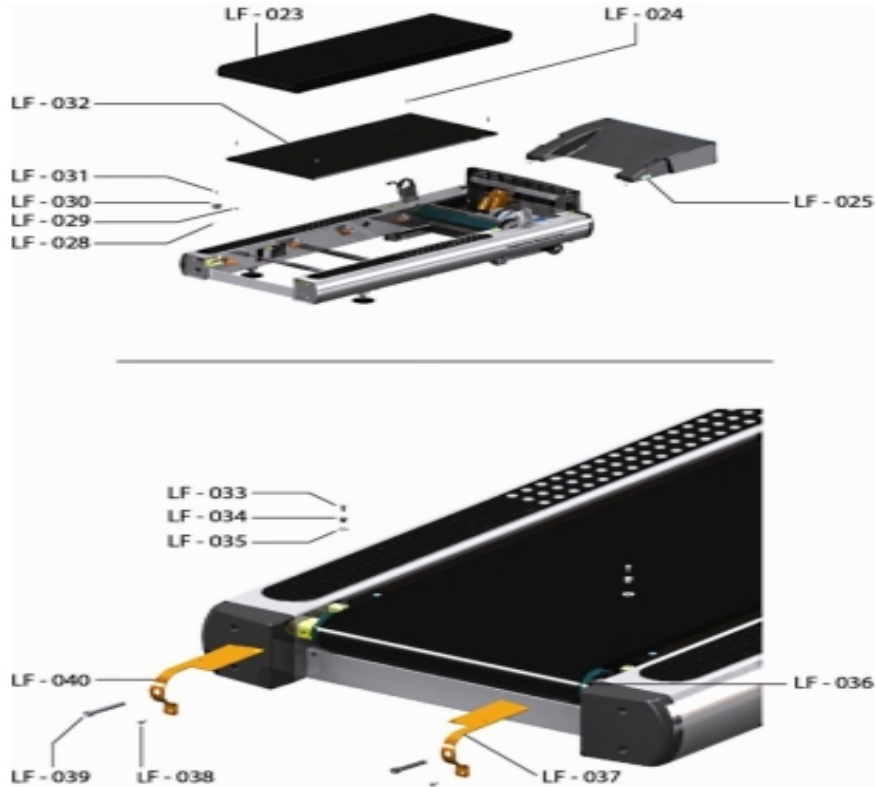
| Ref #  | Part Number     | Qty | Description                        |
|--------|-----------------|-----|------------------------------------|
| LF-001 | AK58-00370-0000 | 1   | Leveler Assembly                   |
| LF-002 | 0K58-01083-0000 | 1   | Leveler Bracket                    |
| LF-003 | 0K58-01098-0000 | 1   | Hardware: Pivot Pin                |
| LF-004 | 0K58-01099-0000 | 1   | Hardware: Stop Nut                 |
| LF-005 | 0K58-01110-0000 | 1   | Leveler Foot                       |
| LF-006 | 0017-00101-1652 | 4   | Hardware: Spring Mounting Screw 1" |
| LF-007 | 0017-00104-0333 | 4   | Hardware: Washer 0.683" OD         |
| LF-008 | 0017-00104-0190 | 4   | Hardware: Flat Washer 0.734" OD    |

## Lower Frame - Motor Cover, Front Cover, End Caps



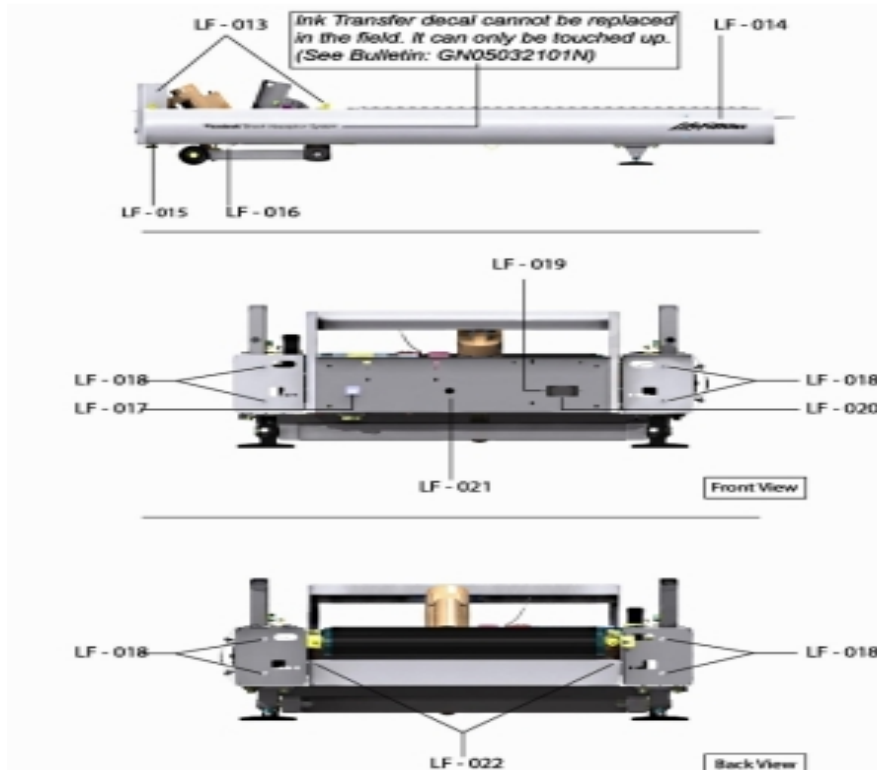
| Ref #         | Part Number     | Qty | Description                       |
|---------------|-----------------|-----|-----------------------------------|
| LF-042,LF-045 | 0017-00101-1772 | 8   | Hardware: Phillips Pan Screw 0.5" |
| LF-043        | AK58-00397-0201 | 1   | Motor Cover                       |
| LF-044        | 0K58-01268-0202 | 2   | ENDCAP: REAR; SHDW-02XX           |
| LF-046        | 0017-00101-1771 | 4   | Hardware: Phillips Pan Screw      |
| LF-047        | 0K58-01267-0201 | 2   | Front End Cap                     |
| LF-048        | AK58-00245-0001 | 1   | Bug Medallion                     |
| LF-049        | 0K58-01266-0201 | 1   | Shroud: Front Cover               |
| LF-049        | AK58-00272-0201 | 1   | Front Cover w/Bug Medallion       |

## Lower Frame - Running Belt, Deck And Associated Components



| Ref #         | Part Number     | Qty | Description                        |
|---------------|-----------------|-----|------------------------------------|
| LF-023        | 0K58-01400-0000 | 1   | Striding Belt                      |
| LF-024        | 0017-00101-1775 | 4   | Hardware: Deck Screws 1.25"        |
| LF-025        | M051-00K58-A014 | 1   | Label: Caution                     |
| LF-026        | M051-00K58-A100 | 1   | Label: Belt Limit: Right           |
| LF-028        | 0017-00104-0072 | 8   | Hardware: Flat Washer 0.562" OD    |
| LF-028        | 0017-00104-0101 | 8   | Hardware: Flat Washer 0.437" OD    |
| LF-029        | 0017-00103-0198 | 8   | Hardware: Tinnerman Clip 1/4" ID   |
| LF-030        | 0K40-01026-0002 | 8   | Deck Spring                        |
| LF-031        | 0017-00101-1652 | 8   | Hardware: Spring Mounting Screw 1" |
| LF-032        | 0K65-01263-0000 | 1   | Deck                               |
| LF-033,LF-038 | 0017-00101-1776 | 6   | Hardware: Mounting Screw 0.5"      |
| LF-034        | 0017-00042-0326 | 1   | Hardware: Plastic Grommet          |
| LF-035        | 0017-00104-0043 | 1   | Hardware: Flat Washer 0.734" OD    |
| LF-036        | 0K58-01002-0000 | 1   | Rear Roller - 3.5"                 |
| LF-037        | AK58-00360-0001 | 1   | Rear Roller Guard: Right           |
| LF-039        | 0017-00101-1880 | 2   | Hardware: Tension Bolts 3"         |
| LF-040        | AK58-00360-0002 | 1   | Rear Roller Guard: Left            |

## Lower Frame - Side Mounted Components



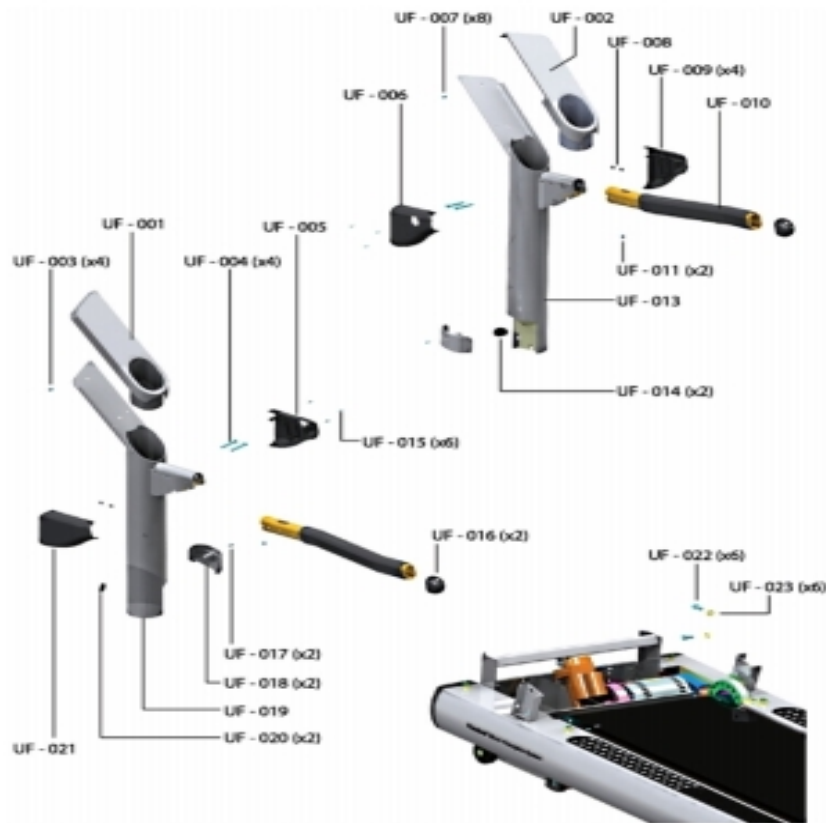
| Ref #         | Part Number     | Qty | Description   |
|---------------|-----------------|-----|---|
| LF-013,LF-018 | 0017-00042-0326 | 2   | Hardware: Plastic Grommet                           |
| LF-014        | 0K60-01193-0000 | 1   | Decal: LF Logo                                      |
| LF-015        | 0017-00042-0840 | 1   | Hardware: Push Mount Clip                           |
| LF-016        | 0017-00042-1072 | 1   | Hardware: Wire Clamp - 5/8"                         |
| LF-017        | 0017-00032-0198 | 1   | On/Off Switch 22A                                   |
| LF-019        | 0017-00101-0162 | 1   | Hardware: Screw 0.375"                              |
| LF-020        | AK58-00329-0001 | 1   | Access-Plate Assembly                               |
| LF-021        | 0017-00042-1053 | 1   | Plug (For units not equipped with circuit breaker.) |
| LF-022        | 0017-00042-1147 | 2   | Hardware: Nylon Grommet                             |

**Miscellaneous**

---

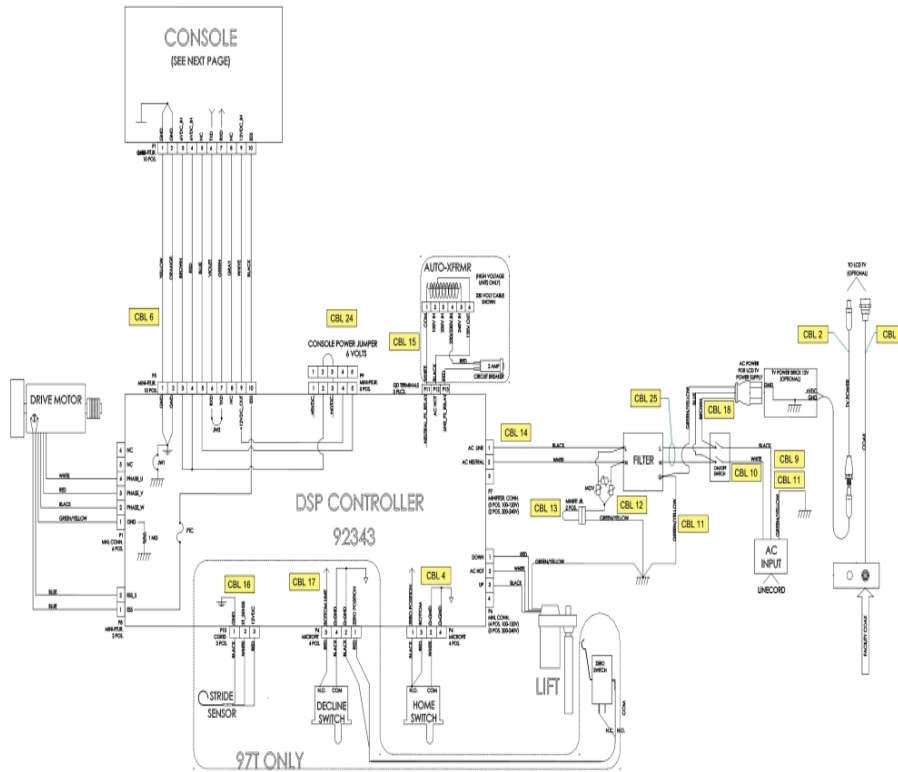
| Ref # | Part Number     | Qty | Description                     |
|-------|-----------------|-----|---------------------------------|
| -     | 0017-00008-0205 | 1   | 5 oz Bottle - Arctic Silver     |
| -     | GK63-00002-0003 | 1   | C-SAFE Network Kit              |
| -     | 0017-00008-0204 | 1   | Paint Spray Can - Arctic Silver |
| -     | GK63-00002-0044 | 1   | Hardware Bag                    |
| -     | GK63-00002-0044 | 1   | Hardware Bag                    |
| -     | GK63-00002-0044 | 1   | Hardware Bag                    |
| -     | GK63-00002-0041 | 1   | Power Option Kit: 220/50        |
| -     | GK63-00002-0044 | 1   | Hardware Bag                    |
| -     | GK63-00002-0044 | 1   | Hardware Bag                    |
| -     | GK63-00002-0044 | 1   | Hardware Bag                    |
| -     | GK63-00002-0044 | 1   | Hardware Bag                    |
| -     | GK63-00002-0044 | 1   | Hardware Bag                    |
| -     | 0017-00008-0206 | 1   | .33oz Pen - Arctic Silver       |
| -     | GK63-00002-0044 | 1   | Hardware Bag                    |

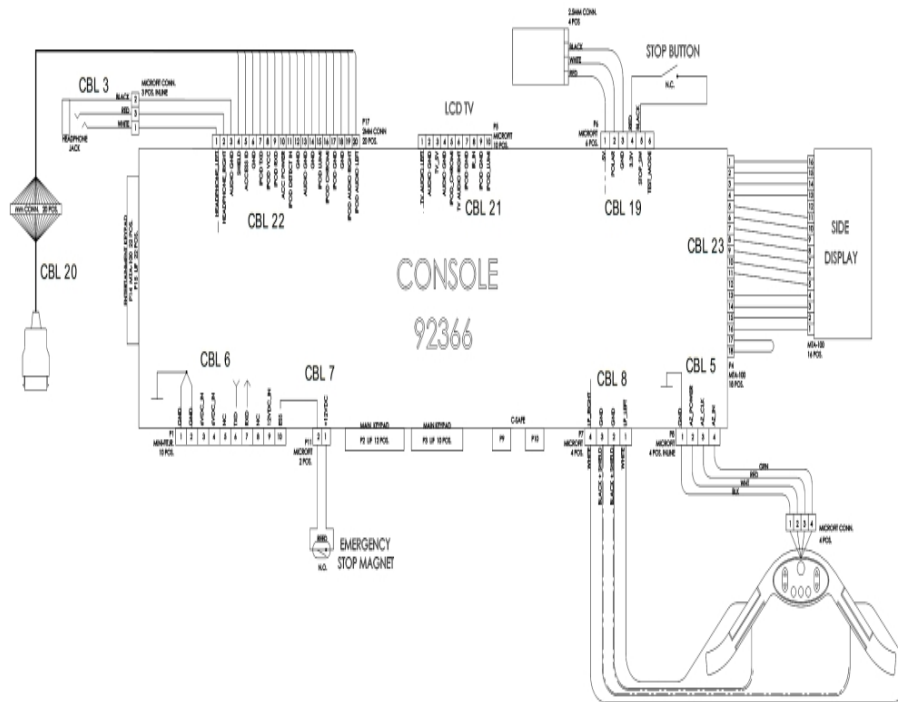
## Upper Frame Parts



| Ref #         | Part Number     | Qty | Description                       |
|---------------|-----------------|-----|-----------------------------------|
| UF-001        | AK58-00247-0010 | 1   | Cup Cover: Left                   |
| UF-002        | AK58-00247-0009 | 1   | Cup Cover: Right                  |
| UF-003,UF-011 | 0017-00101-1773 | 6   | Hardware: TORX Screw 0.5"         |
| UF-004        | 0017-00101-1774 | 4   | Hardware: TORX Screw 2.5"         |
| UF-005        | 0K58-01304-0204 | 1   | Bottom Handrail Boot Cover: Left  |
| UF-006        | 0K58-01304-0203 | 1   | Bottom Handrail Boot Cover: Right |
| UF-008        | 0017-00103-0327 | 4   | Hardware: Hex Nut 5/16" ID        |
| UF-009        | 0K58-01303-0203 | 1   | Top Handrail Boot Cover: Right    |
| UF-010        | AK58-00256-0202 | 2   | Handrail                          |
| UF-013        | AK58-00311-5111 | 1   | Upright: Right                    |
| UF-014        | 0017-00042-0326 | 2   | Hardware: Plastic Grommet         |
| UF-015        | 0017-00101-1770 | 6   | Hardware: Phillips Pan Screw 0.5" |
| UF-016        | 0K58-01396-0201 | 2   | Handrail End Cap                  |
| UF-017        | 0017-00101-1772 | 2   | Hardware: Phillips Pan Screw 0.5" |
| UF-018        | 0K58-01302-0103 | 2   | Cap: Upright Tube; Arctic Silver  |
| UF-019        | AK58-00311-5112 | 1   | Upright: Left                     |
| UF-020        | 0K58-01305-0002 | 2   | Upright Plug                      |
| UF-021        | 0K58-01303-0204 | 1   | Top Handrail Boot Cover: Left     |
| UF-022        | 0017-00101-1778 | 6   | Hardware: Hex Bolt 1"             |
| UF-023        | 0017-00104-0325 | 6   | Hardware: Washer 0.873" OD        |

### Wiring





| Ref #  | Part Number     | Qty | Description  |
|--------|-----------------|-----|--|
| CBL 1  | AK32-00020-0002 | 1   | Coax Cable: 120"                                   |
| CBL 2  | AK32-00078-0001 | 1   | Power Extension Cable: 120"                        |
| CBL 3  | AK32-00124-0002 | 1   | Headphone Jack Cable - 3.5 mm                      |
| CBL 4  | AK58-00027-0000 | 1   | Limit Switch Cable                                 |
| CBL 5  | AK58-00032-0000 | 1   | User Proximity Sensor Cable                        |
| CBL 6  | AK58-00034-0001 | 1   | Console Power Cable                                |
| CBL 7  | AK58-00036-0000 | 1   | Cable-Assembly: Emergency-Stop Switch              |
| CBL 8  | AK58-00041-0001 | 1   | Heart Rate Sensor Cable                            |
| CBL 9  | AK58-00081-0000 | 1   | Jumper Cable Assembly: Black - 4"                  |
| CBL 10 | AK58-00082-0000 | 1   | Jumper Cable Assembly: White - 6"                  |
| CBL 11 | AK26-00348-0001 | 1   | Jumper Ground Cable                                |
| CBL 12 | AK58-00224-0001 | 1   | Cable: MOV; Fliter                                 |
| CBL 13 | AK58-00263-0000 | 1   | Hi-Pot Jumper Cable                                |
| CBL 14 | AK58-00521-0000 | 1   | Power Cable: 200-240V                              |
| CBL 14 | AK58-00596-0001 | 1   | Power Cable: 230-240V                              |
| CBL 15 | AK58-00527-0000 | 1   | Auto-Transformer: Use on High Voltage              |
| CBL 18 | AK65-00081-0001 | 1   | AC Power Cable                                     |
| CBL 19 | AK69-00154-0000 | 1   | Polar Cable  |
| CBL 20 | AK86-00088-0200 | 1   | OVERMOLDED IPOD CABLE; TREAD; INTEGRITY            |
| CBL 21 | AK86-00002-0001 | 1   | Audio S-Video Cable                                |
| CBL 22 | AK86-00003-0001 | 1   | iPod Console Cable: Tread                          |
| CBL 24 | AK86-00027-0000 | 1   | 6V Power Jumper                                    |
| CBL 25 | AK86-00028-0000 | 1   | Power Filter Cable                                 |
| -      | 0017-00003-0696 | 1   | Line Cord: International High Voltage (Cont.) 103" |

