

Silver Tread Base High VT

CLST-INHXK-0105

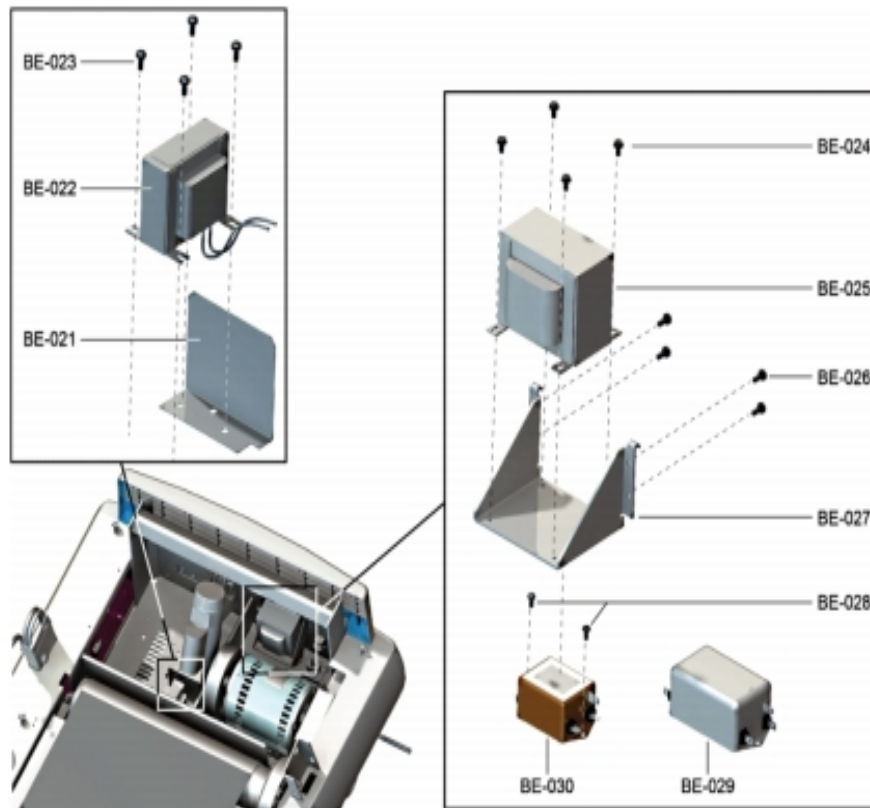
Parts Manual

1/5/2019 12:53:40 PM

Table of Contents

Base Frame Electronics - PFC, Line Filter And Transformer.....	3
Base Frame Electronics - DSP Motor Controller Assembly.....	4
Base Frame Electronics - Stride Sensor Assembly.....	5
Console Assembly.....	6
Drive Motor - Drive Motor Parts.....	8
Drive Motor - Main Drive System And Miscellaneous Components.....	9
Front Roller Assembly.....	10
Lifepulse And Activity Zone Assembly.....	11
Lift System - Lift Frame Assembly.....	12
Lift System - Lift Motor Assembly.....	13
Lift System - Power Receptacle Assembly.....	14
Lower Frame - Drive Belt, Anti-Static Brush, Misc.....	15
Lower Frame - Leveler Assembly.....	16
Lower Frame - Motor Cover, Front Cover, End Caps.....	17
Lower Frame - Running Belt, Deck And Associated Components.....	18
Lower Frame - Side Mounted Components.....	19
Miscellaneous.....	20
Upper Frame Parts.....	21
Wiring.....	22

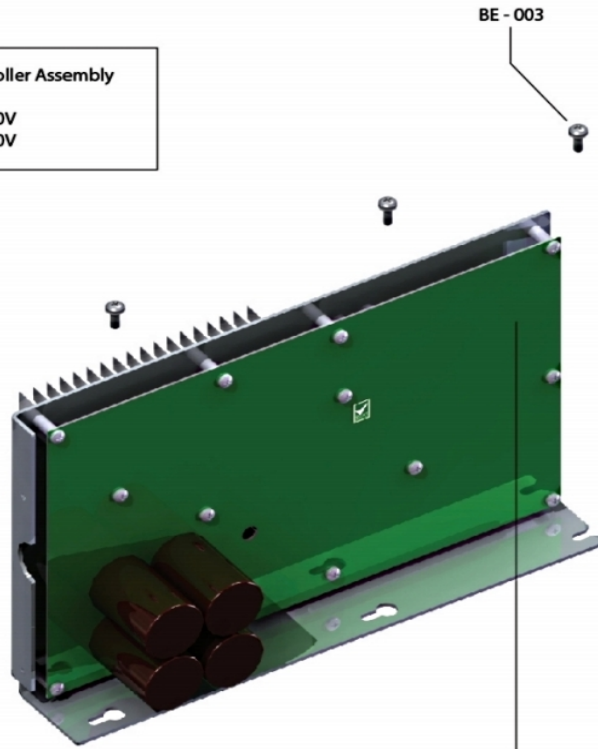
Base Frame Electornics - PFC, Line Filter And Transformer



Ref #	Part Number	Qty	Description
BE-021	0K60-01215-0000	1	Inductor Guard
BE-022	111E-00001-0042	1	Inductor: 15MH; 230V
BE-023, BE-026	0017-00101-1781	8	Hardware: Phillips Pan Screw 0.5"
BE-024	0017-00101-1193	4	Hardware: Screw 0.375"
BE-025	0017-00003-0905	1	Transformer (EURO Only)
BE-027	0K58-01314-0000	1	Transformer Bracket
BE-028	0017-00101-0162	2	Hardware: Screw 0.375"
BE-030	0017-00003-0898	1	10 amp Line Filter (INT)

Base Frame Electronics - DSP Motor Controller Assembly

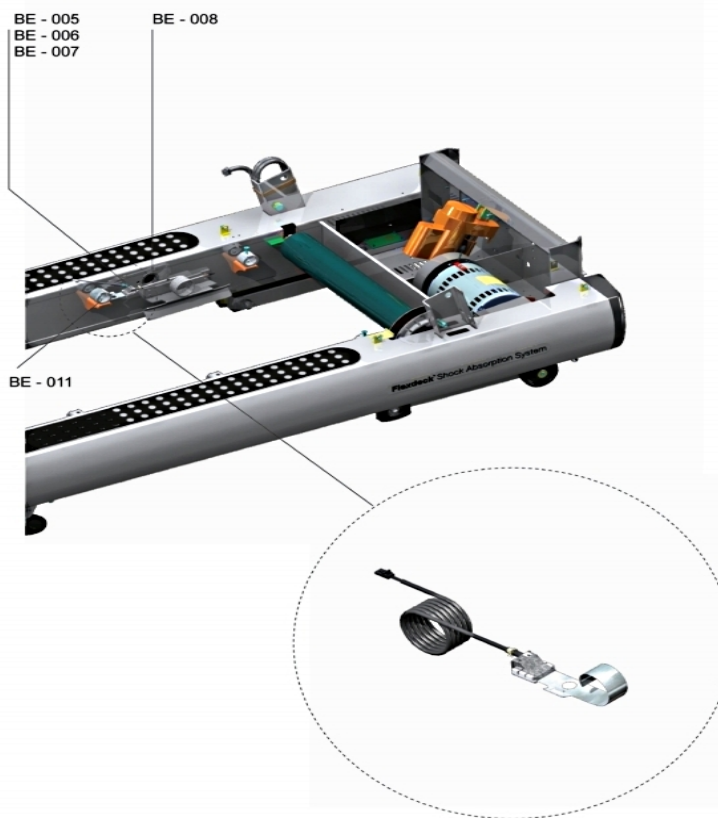
DSP Motor Controller Assembly
BE - 001: 100-120V
BE - 002: 200-240V



Note: Keep the jumper (BE - 004), the DSP Motor Controller is not supplied with it.

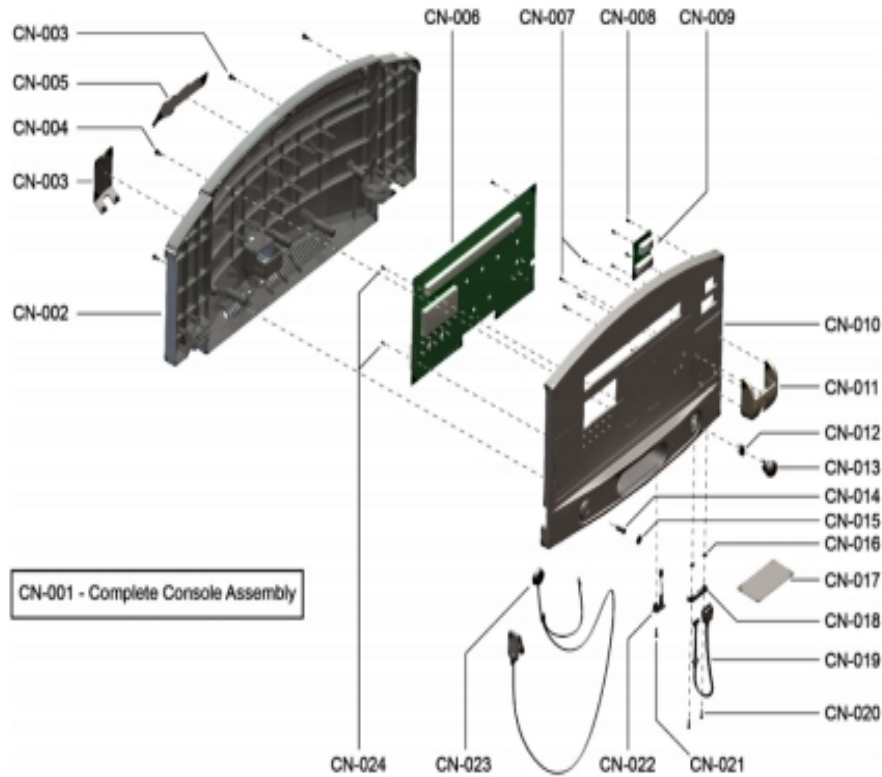
Ref #	Part Number	Qty	Description
BE-002	AK65-00071-0009	1	DSP Controller 200-240
BE-003	0017-00101-1781	3	Hardware: Phillips Pan Screw 0.5"
BE-004	AK86-00027-0000	1	6V Power Jumper

Base Frame Electronics - Stride Sensor Assembly



Ref #	Part Number	Qty	Description
BE-006	0017-00101-0883	2	Hardware: Screw 0.375"
BE-008	0017-00042-1180	1	Hardware: Snap Bushing - 1.75"

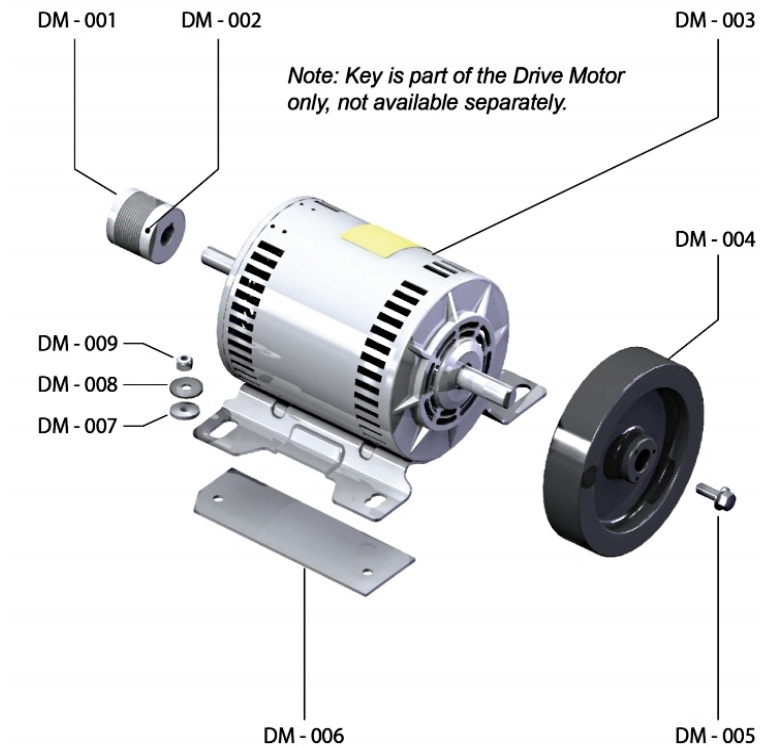
Console Assembly



Ref #	Part Number	Qty	Description
CN-001	CLEDT-GERMX-05N	1	NC Tread Console Ger/Met No Connect
CN-001	CLEDT-ENGEX-05N	1	Tread Console Eng/Eng NO Connect
CN-001	CLEDT-FRNMX-05N	1	NC Tread Console Frn/Met NO Connect
CN-001	CLEDT-ITLMX-05N	1	NC Tread Console Itl/Met No Connect
CN-001	CLEDT-RUSMX-05N	1	NC Tread Console Rus/Met No Connect
CN-001	CLEDT-DUTMX-05N	1	NC Tread Console Dut/Met No Connect
CN-001	CLEDT-SPNMX-05N	1	Tread Console Spn/Met NO Connect
CN-002	0K58-01272-0202	1	Rear Console Case
CN-003	0K58-01280-0201	1	Console Accessory Cover
CN-004	0017-00101-1288	8	Hardware: Phillips Screw 0.5"
CN-005	0K58-01357-0001	1	Rear Console Decal
CN-006	A084-92366-0002	1	PROGRAMMED PCB: B084-92366-0001
CN-007	3223501	4	Hardware: Holder Mounting Screw
CN-008,CN-024	0017-00101-1275	7	Hardware: Phillips Screw 0.375"
CN-009	B084-92255-0001	1	Side Display PCB
CN-010	GK86-00002-0039	1	CSS KIT ASSEMBLY
CN-010	GK86-00002-0040	1	CSS KIT ASSEMBLY
CN-010	GK86-00002-0036	1	CSS KIT ASSEMBLY
CN-010	GK86-00002-0035	1	CSS KIT ASSEMBLY
CN-010	GK86-00002-0033	1	CSS KIT ASSEMBLY
CN-010	GK86-00002-0038	1	CSS KIT ASSEMBLY

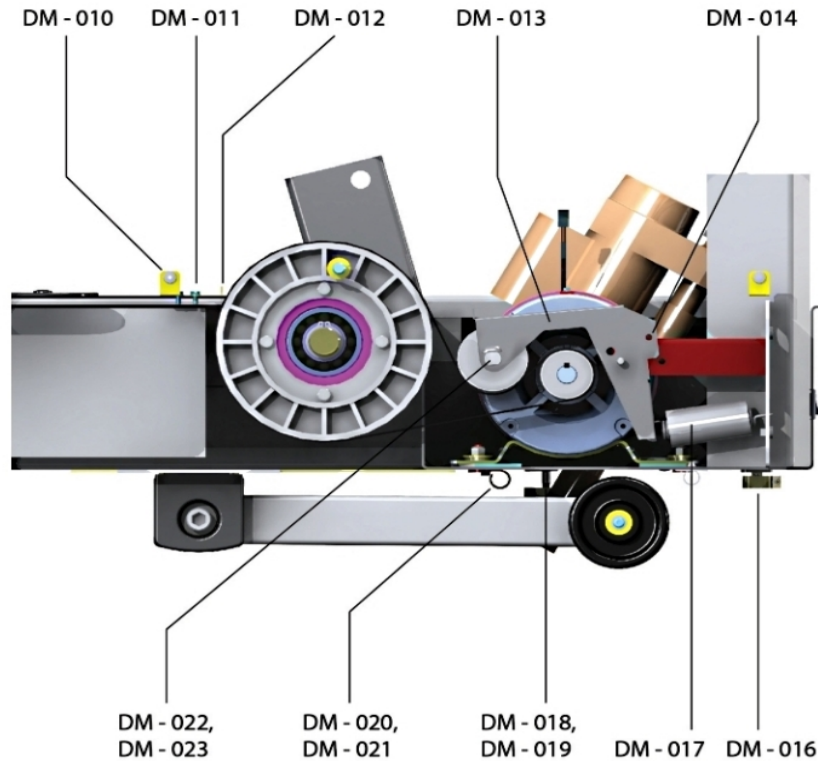
Ref #	Part Number	Qty	Description
CN-010	GK86-00002-0037	1	CSS KIT ASSEMBLY
CN-010	GK86-00002-0034	1	CSS KIT ASSEMBLY
CN-011	0K86-01003-0200	1	iPod Holder
CN-012	0017-00032-0185	1	Micro Switch 150GR
CN-013	0K58-01321-0000	1	Stop Switch
CN-014	AK58-00036-0000	1	Cable-Assembly: Emergency-Stop Switch
CN-015	0K40-01070-0000	1	Magnetic Disk
CN-016	0017-00103-0343	2	Hardware: Self-Lock Nut
CN-017	0K86-01031-0700	1	CD Tray Rubber Pad
CN-018	0K86-01045-0200	1	PLASTIC: USB ACCESS DOOR
CN-019	AK86-00090-0000	1	CABLE ASSY: FEMALE USB CABLE RECEPTICAL
CN-020,CN-021	0017-00101-1811	3	Hardware: Phillips Pan Screw 0.625"
CN-022	AK86-00025-0201	1	Headphone Jack
CN-023	AK58-00322-0000	1	Tether Stop Assembly

Drive Motor - Drive Motor Parts



Ref #	Part Number	Qty	Description
DM-002	0017-00101-0333	1	Hardware: Screw 0.3125"
DM-003	0K58-01386-0004	1	MOTOR: MAIN DRIVE, 230V/50HZ, W/TAPER
DM-004	0K58-01092-0004	1	Cast Iron Flywheel
DM-005	0017-00101-1885	1	Hardware: Hex Bolt 1"
DM-006	0K58-01256-0001	2	Insulating Pad
DM-007	0K58-01255-0000	4	Hardware: Insulating Washers
DM-008	0017-00104-0409	4	Hardware: Washer 1.125" OD
DM-009	0017-00103-0027	4	Hardware: Locking Nut. 5/16" ID

Drive Motor - Main Drive System And Miscellaneous Components



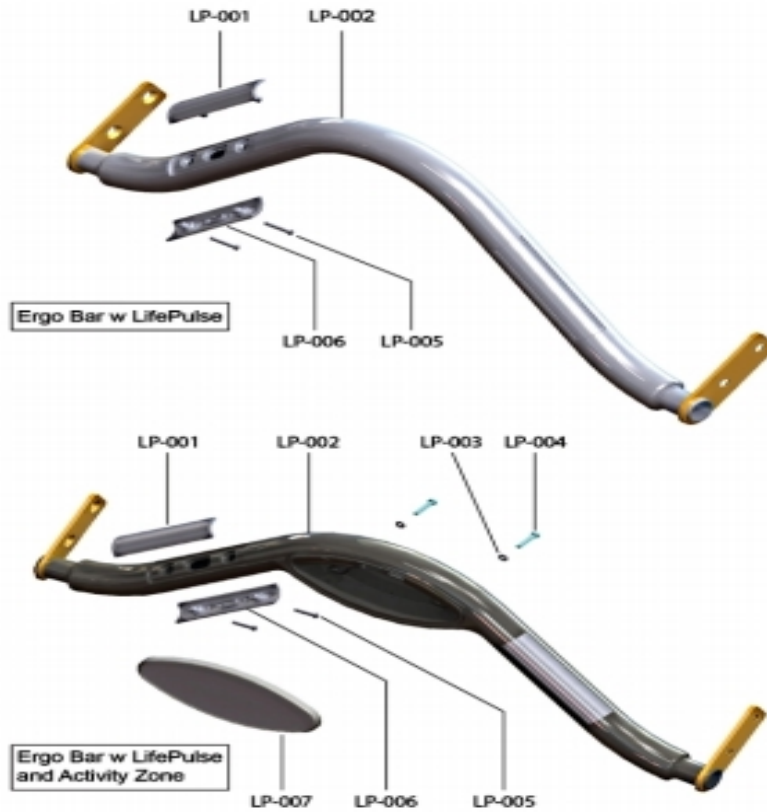
Ref #	Part Number	Qty	Description
DM-010	0017-00042-0326	1	Hardware: Plastic Grommet
DM-011,D M-021	0017-00101-1193	3	Hardware: Screw 0.375"
DM-012	0K58-01263-0001	1	Tinsel Bracket
DM-013	AK58-00053-0002	1	Idler Arm Assembly
DM-014	0017-00007-0248	1	Hardware: Locking Pin .31" D 2.125" L
DM-016	0K26-02055-0000	1	Spring Damper
DM-017	0K58-01085-0000	1	Extension Spring
DM-018	0017-00032-0195	1	Home Switch
DM-019	AK58-00027-0000	1	Limit Switch Cable
DM-020	0017-00042-1072	1	Hardware: Wire Clamp - 5/8"
DM-022	0K58-01084-0002	1	Threaded Shaft
DM-023	0017-00103-0324	1	Hardware: Thin Lock Nut 3/8" ID

Front Roller Assembly



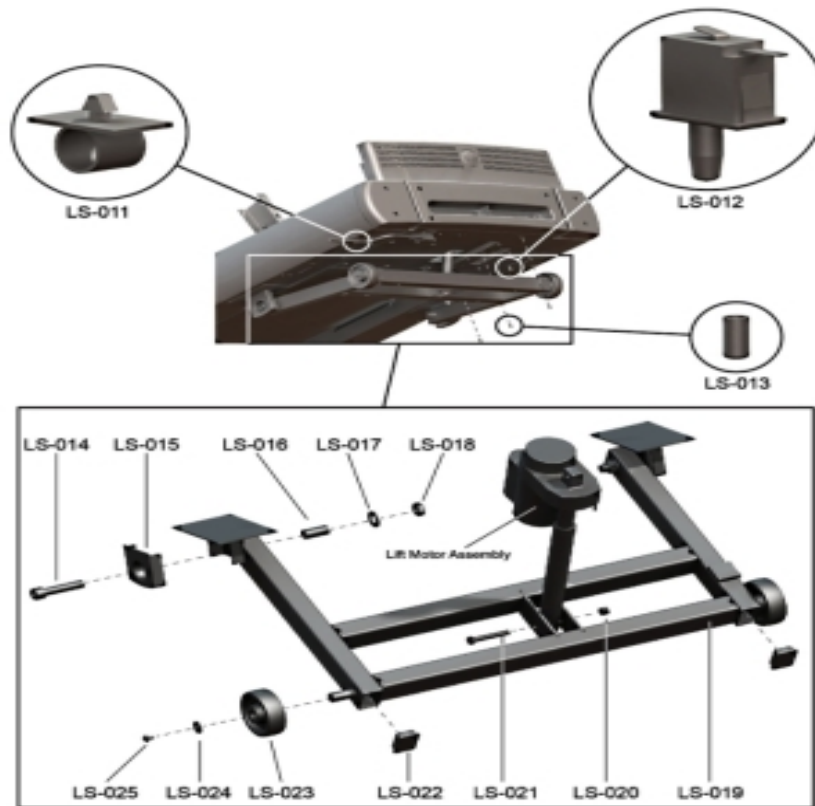
Ref #	Part Number	Qty	Description
FR-001	AK58-00066-0000	1	Front Roller Assembly
FR-002	0017-00101-1632	4	Hardware: Hex Bolt 0.875"
FR-003	0017-00104-0005	4	Hardware: Lock Washer 0.489" OD
FR-004	0017-00104-0330	4	Hardware: Flat Washers 0.562" OD
FR-005	0K58-01105-0000	1	Drive Pulley Poly V - 8"
FR-006	0K58-01001-0001	1	Front Roller - 3.5"
FR-007	0017-00104-0063	1	WSH 645-1.00-012 SP-D ST PH B
FR-008	0017-00104-0043	1	Hardware: Flat Washer 0.734" OD
FR-009	0017-00101-0974	1	Hardware: Mounting Bolt 2"

Lifepulse And Activity Zone Assembly



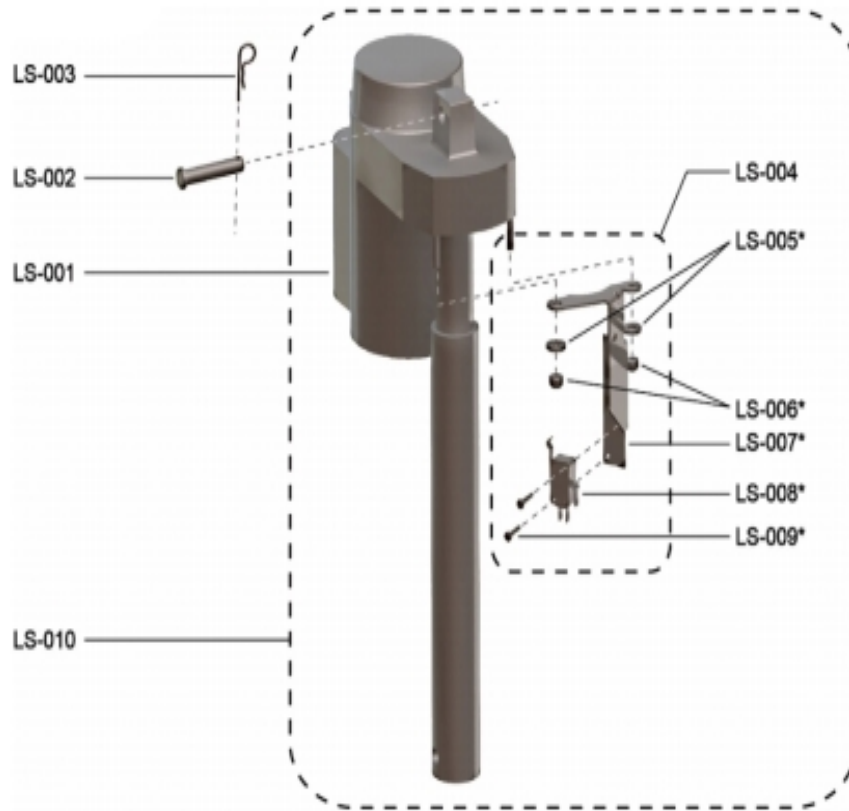
Ref #	Part Number	Qty	Description
LP-001	AK60-00079-0203	1	Top Electrode
LP-002	AK58-00647-0200	1	Ergo Bar w/Lifepulse
LP-003	0017-00104-0411	2	Hardware: Flat Washer 0.375" OD
LP-005	0017-00101-2054	4	Hardware: Screw 1"
LP-006	AK60-00080-0203	1	Bottom Electrode

Lift System - Lift Frame Assembly



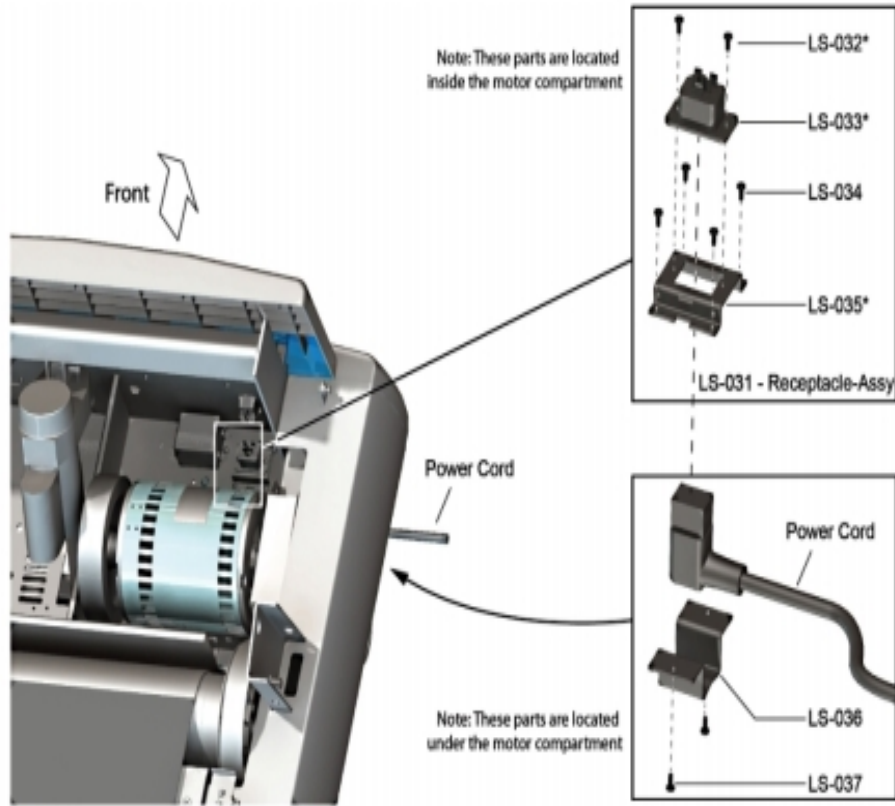
Ref #	Part Number	Qty	Description
LS-011	0017-00042-0840	1	Hardware: Push Mount Clip
LS-012	0017-00032-0195	1	Home Switch
LS-013	0017-00042-1075	1	Vinyl Cap
LS-014	0017-00101-1777	2	Hardware: Lift Frame Mounting Bolt 2.75"
LS-015	0K58-01322-0000	2	Lift Frame Pivot Cover
LS-016	0K58-01089-0000	2	Bronze Sleeve Bushings
LS-018	0017-00103-0285	2	Hardware: Nut 5/8" ID
LS-019	AK58-00220-0000	1	LIFT-FRAME ASSY: MFG. C
LS-020	0017-00103-0025	1	Hardware: Locking Nut 3/8" ID
LS-021	0017-00101-1021	1	Hardware: Lift Motor Hex Bolt 2.5"
LS-022	0017-00042-1076	4	Lift Frame End Cap
LS-023	0K58-01071-0000	2	Wheel
LS-024	0017-00104-0189	2	Hardware: Flat Washer 1" OD
LS-025	0017-00101-1612	2	Hardware: Phillips Screw 0.5"

Lift System - Lift Motor Assembly



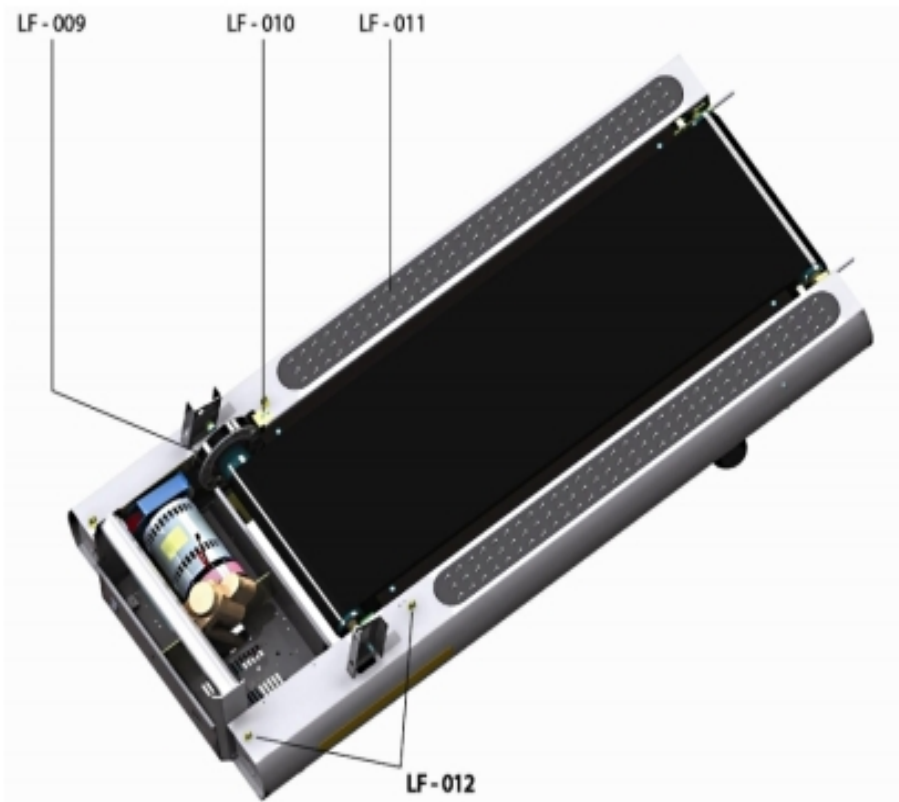
Ref #	Part Number	Qty	Description
LS-001	0K58-01062-0000	1	Lift Motor - 120/60
LS-002	0017-00007-0214	1	Hardware: Clevis Pin 3/8" D 1.75" L
LS-003	0017-00007-0208	1	Hardware: Cotter Pin

Lift System - Power Receptacle Assembly



Ref #	Part Number	Qty	Description
LS-031	AK58-00514-0000	1	Receptacle Assembly
LS-032,LS-034,LS-037	0017-00101-1723	8	Hardware: Phillips Pan Screw 0.375"
LS-033	0017-00003-0949	1	IEC Receptacle
LS-035	0K58-01419-0000	1	Line Cord Socket Bracket
LS-036	0K58-01420-0000	1	Lower Receptacle Bracket

Lower Frame - Drive Belt, Anti-Static Brush, Misc



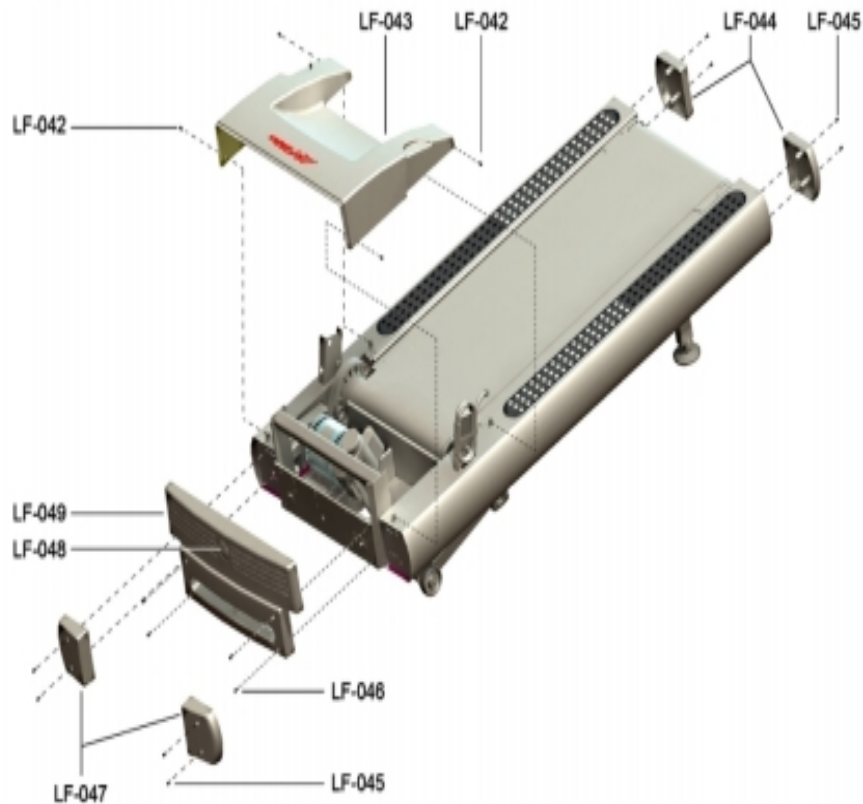
Ref #	Part Number	Qty	Description
LF-009	0K58-01114-0000	1	Poly-V Drive Belt - 370J12
LF-010	0K58-01263-0001	1	Tinsel Bracket
LF-010	0017-00101-1193	2	Hardware: Screw 0.375"
LF-011	0K58-01376-0201	1	Anti-Scuff Pad
LF-012	0017-00042-0326	1	Hardware: Plastic Grommet

Lower Frame - Leveler Assembly



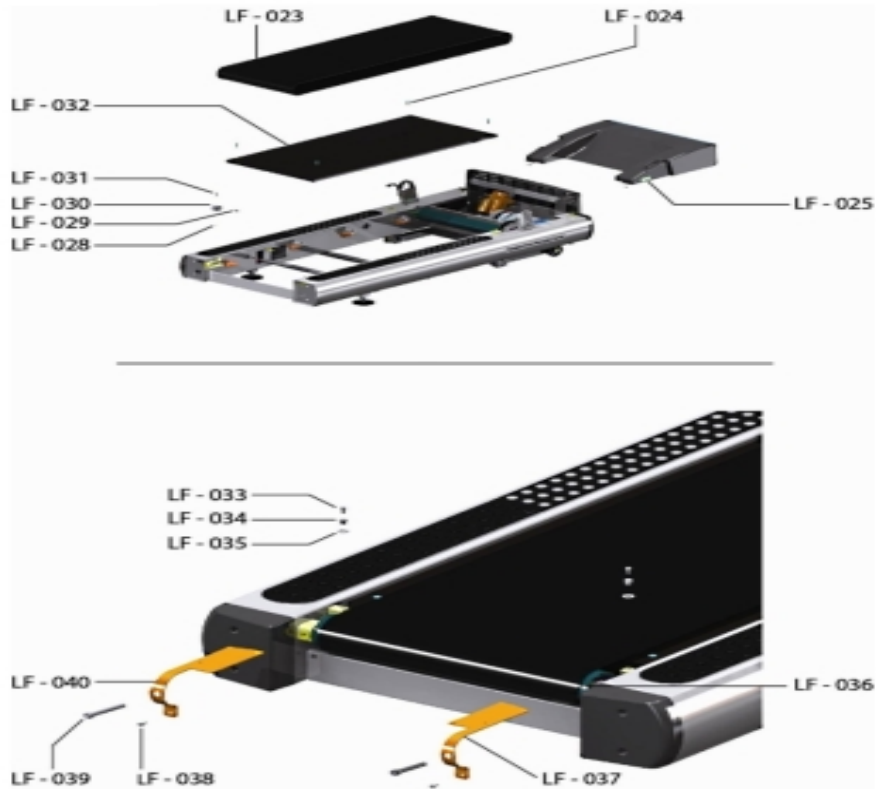
Ref #	Part Number	Qty	Description
LF-001,LF-002	AK58-00370-0000	2	Leveler Assembly
LF-003	0K58-01098-0000	1	Hardware: Pivot Pin
LF-004	0K58-01099-0000	1	Hardware: Stop Nut
LF-005	0K58-01110-0000	1	Leveler Foot
LF-006	0017-00101-1652	4	Hardware: Spring Mounting Screw 1"
LF-007	0017-00104-0333	4	Hardware: Washer 0.683" OD
LF-008	0017-00104-0190	4	Hardware: Flat Washer 0.734" OD

Lower Frame - Motor Cover, Front Cover, End Caps



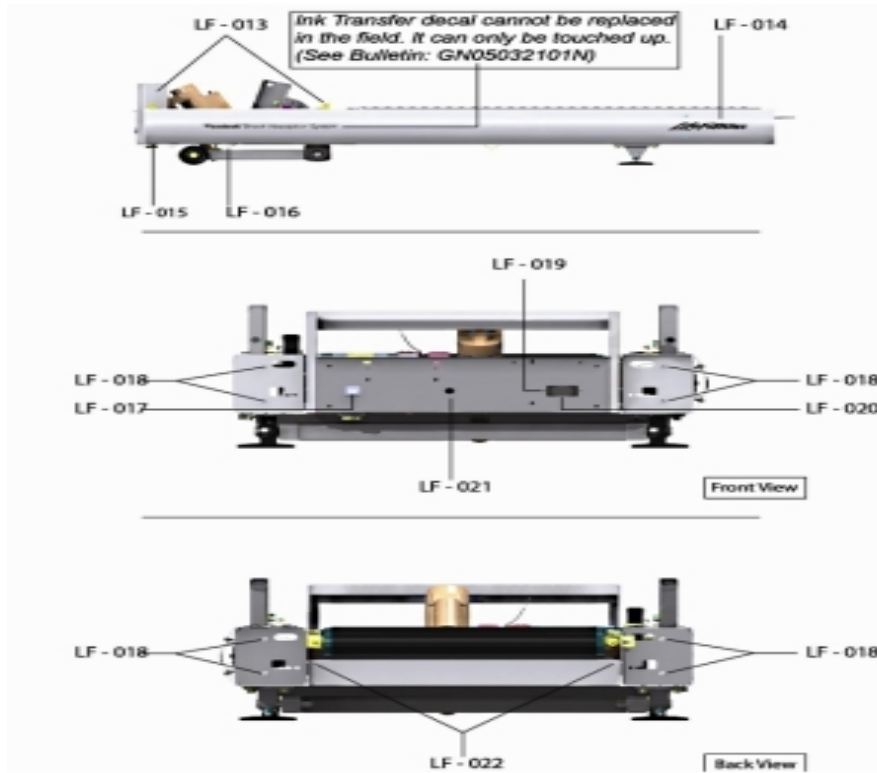
Ref #	Part Number	Qty	Description
LF-042,LF-045	0017-00101-1772	8	Hardware: Phillips Pan Screw 0.5"
LF-043	AK58-00397-0201	1	Motor Cover
LF-044	0K58-01268-0202	2	ENDCAP: REAR; SHDW-02XX
LF-046	0017-00101-1771	4	Hardware: Phillips Pan Screw
LF-047	0K58-01267-0201	2	Front End Cap
LF-048	AK58-00245-0001	1	Bug Medallion
LF-049	AK58-00272-0201	1	Front Cover w/Bug Medallion
LF-049	0K58-01266-0201	1	Shroud: Front Cover

Lower Frame - Running Belt, Deck And Associated Components



Ref #	Part Number	Qty	Description
LF-023	0K58-01400-0000	1	Striding Belt
LF-024	0017-00101-1775	4	Hardware: Deck Screws 1.25"
LF-025	M051-00K58-A014	1	Label: Caution
LF-026	M051-00K58-A100	1	Label: Belt Limit: Right
LF-028	0017-00104-0072	8	Hardware: Flat Washer 0.562" OD
LF-028	0017-00104-0101	8	Hardware: Flat Washer 0.437" OD
LF-029	0017-00103-0198	8	Hardware: Tinnerman Clip 1/4" ID
LF-030	0K40-01026-0002	8	Deck Spring
LF-031	0017-00101-1652	8	Hardware: Spring Mounting Screw 1"
LF-032	0K65-01263-0000	1	Deck
LF-033,LF-038	0017-00101-1776	6	Hardware: Mounting Screw 0.5"
LF-034	0017-00042-0326	1	Hardware: Plastic Grommet
LF-035	0017-00104-0043	1	Hardware: Flat Washer 0.734" OD
LF-036	0K58-01002-0000	1	Rear Roller - 3.5"
LF-037	AK58-00360-0001	1	Rear Roller Guard: Right
LF-039	0017-00101-1880	2	Hardware: Tension Bolts 3"
LF-040	AK58-00360-0002	1	Rear Roller Guard: Left

Lower Frame - Side Mounted Components

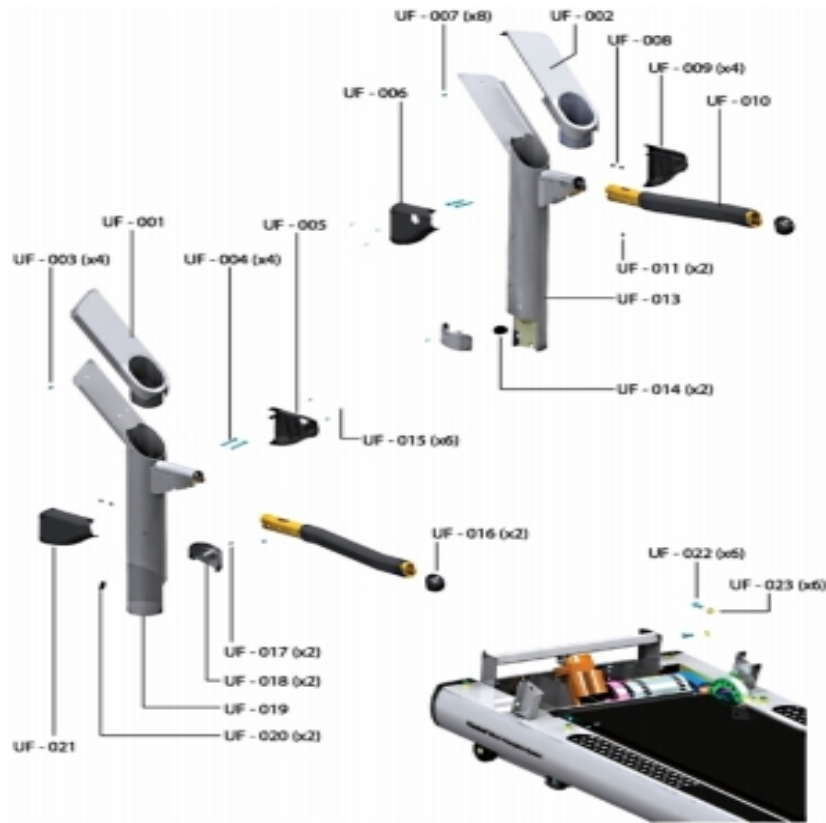


Ref #	Part Number	Qty	Description
LF-013,LF-018	0017-00042-0326	2	Hardware: Plastic Grommet
LF-014	0K60-01193-0000	1	Decal: LF Logo
LF-015	0017-00042-0840	1	Hardware: Push Mount Clip
LF-016	0017-00042-1072	1	Hardware: Wire Clamp - 5/8"
LF-017	0017-00032-0198	1	On/Off Switch 22A
LF-019	0017-00101-0162	1	Hardware: Screw 0.375"
LF-020	AK58-00329-0001	1	Access-Plate Assembly
LF-021	0017-00042-1053	1	Plug (For units not equipped with circuit breaker.)
LF-022	0017-00042-1147	2	Hardware: Nylon Grommet

Miscellaneous

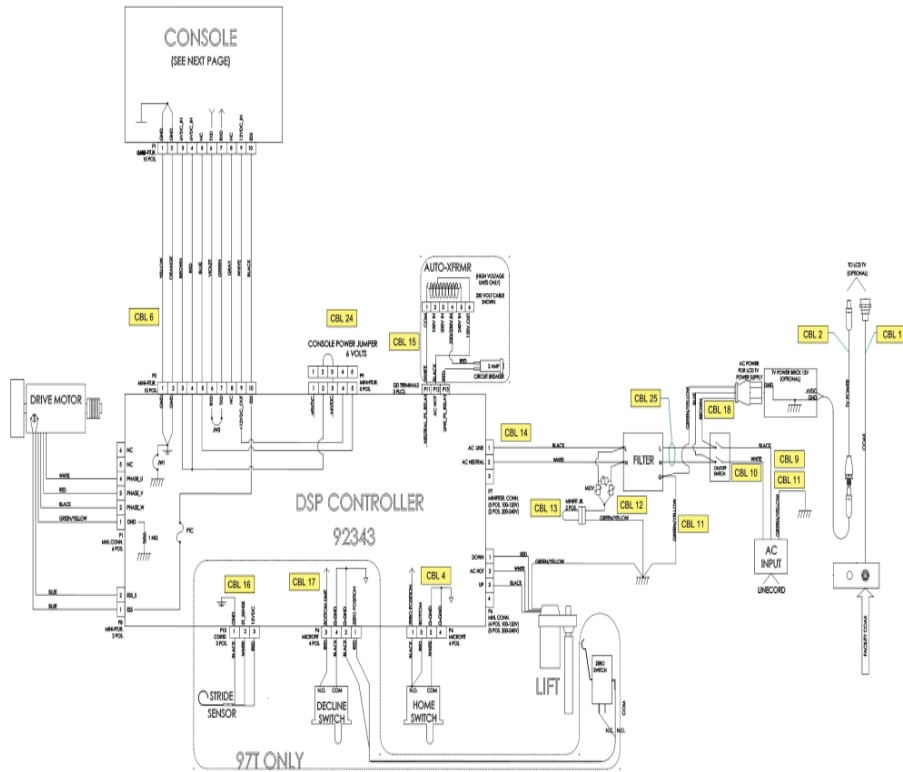
Ref #	Part Number	Qty	Description
-	0017-00008-0205	1	5 oz Bottle - Arctic Silver
-	0017-00008-0206	1	.33oz Pen - Arctic Silver
-	GK63-00002-0003	1	C-SAFE Network Kit
-	0017-00008-0204	1	Paint Spray Can - Arctic Silver
-	0017-00101-1741	1	Hardware: Screw

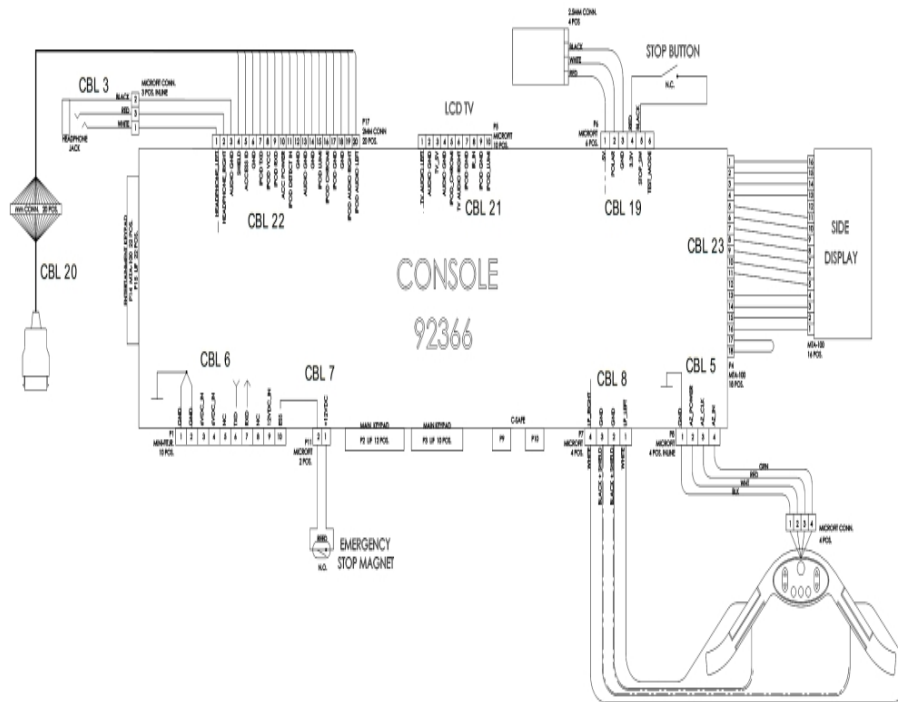
Upper Frame Parts



Ref #	Part Number	Qty	Description
UF-001	AK58-00247-0010	1	Cup Cover: Left
UF-002	AK58-00247-0009	1	Cup Cover: Right
UF-003,UF-011	0017-00101-1773	6	Hardware: TORX Screw 0.5"
UF-004	0017-00101-1774	4	Hardware: TORX Screw 2.5"
UF-005	0K58-01304-0204	1	Bottom Handrail Boot Cover: Left
UF-006	0K58-01304-0203	1	Bottom Handrail Boot Cover: Right
UF-008	0017-00103-0327	4	Hardware: Hex Nut 5/16" ID
UF-009	0K58-01303-0203	1	Top Handrail Boot Cover: Right
UF-010	AK58-00256-0202	2	Handrail
UF-013	AK58-00311-5111	1	Upright: Right
UF-014	0017-00042-0326	2	Hardware: Plastic Grommet
UF-015	0017-00101-1770	6	Hardware: Phillips Pan Screw 0.5"
UF-016	0K58-01396-0201	2	Handrail End Cap
UF-017	0017-00101-1772	2	Hardware: Phillips Pan Screw 0.5"
UF-018	0K58-01302-0103	2	Cap: Upright Tube; Arctic Silver
UF-019	AK58-00311-5112	1	Upright: Left
UF-020	0K58-01305-0002	2	Upright Plug
UF-021	0K58-01303-0204	1	Top Handrail Boot Cover: Left
UF-022	0017-00101-1778	6	Hardware: Hex Bolt 1"
UF-023	0017-00104-0325	6	Hardware: Washer 0.873" OD

Wiring





Ref #	Part Number	Qty	Description
CBL 1	AK32-00020-0002	1	Coax Cable: 120"
CBL 2	AK32-00078-0001	1	Power Extension Cable: 120"
CBL 3	AK32-00124-0002	1	Headphone Jack Cable - 3.5 mm
CBL 4	AK58-00027-0000	1	Limit Switch Cable
CBL 5	AK58-00032-0000	1	User Proximity Sensor Cable
CBL 6	AK58-00034-0001	1	Console Power Cable
CBL 7	AK58-00036-0000	1	Cable-Assembly: Emergency-Stop Switch
CBL 8	AK58-00041-0001	1	Heart Rate Sensor Cable
CBL 9	AK58-00081-0000	1	Jumper Cable Assembly: Black - 4"
CBL 10	AK58-00082-0000	1	Jumper Cable Assembly: White - 6"
CBL 11	AK26-00348-0001	1	Jumper Ground Cable
CBL 12	AK58-00224-0001	1	Cable: MOV; Fliter
CBL 13	AK58-00263-0000	1	Hi-Pot Jumper Cable
CBL 14	AK58-00596-0001	1	Power Cable: 230-240V
CBL 14	AK58-00521-0000	1	Power Cable: 200-240V
CBL 15	AK58-00527-0000	1	Auto-Transformer: Use on High Voltage
CBL 18	AK65-00081-0001	1	AC Power Cable
CBL 19	AK69-00154-0000	1	Polar Cable
CBL 20	AK86-00088-0200	1	OVERMOLDED IPOD CABLE; TREAD; INTEGRITY
CBL 21	AK86-00002-0001	1	Audio S-Video Cable
CBL 22	AK86-00003-0001	1	iPod Console Cable: Tread
CBL 24	AK86-00027-0000	1	6V Power Jumper
CBL 25	AK86-00028-0000	1	Power Filter Cable
-	0017-00003-0890	1	Line Cord: UK

