

# Silver Cross Trainer Base CRC

CLSX-ALLCRC-0105

## Parts Manual

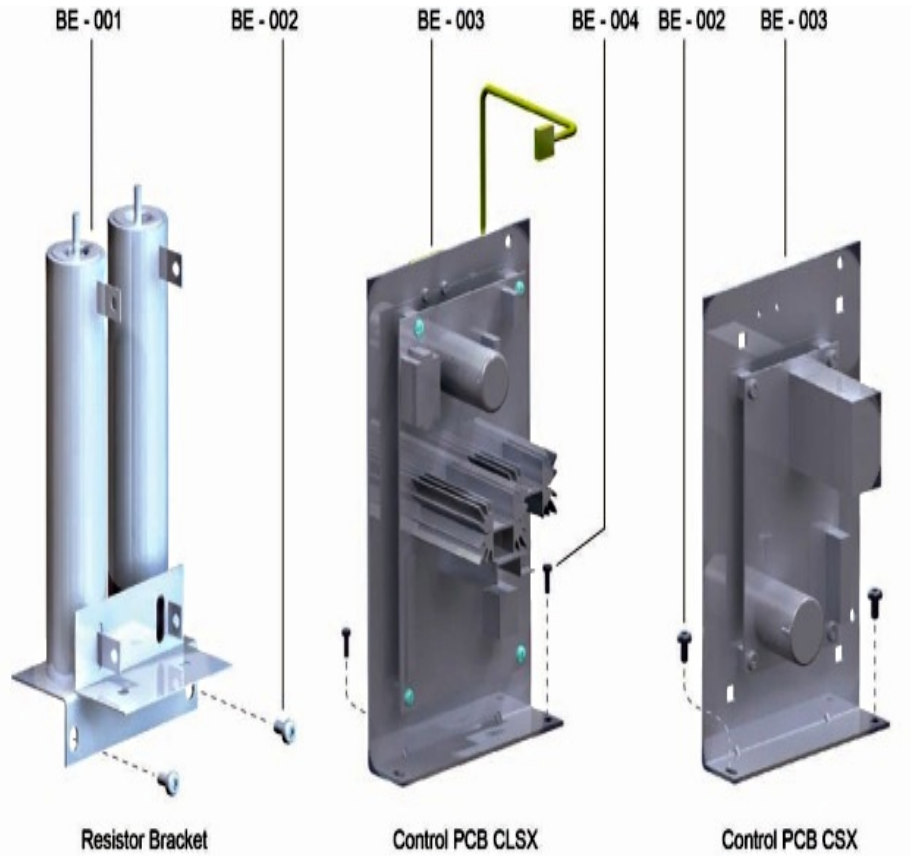
1/5/2019 12:56:35 PM

**Table of Contents**

---

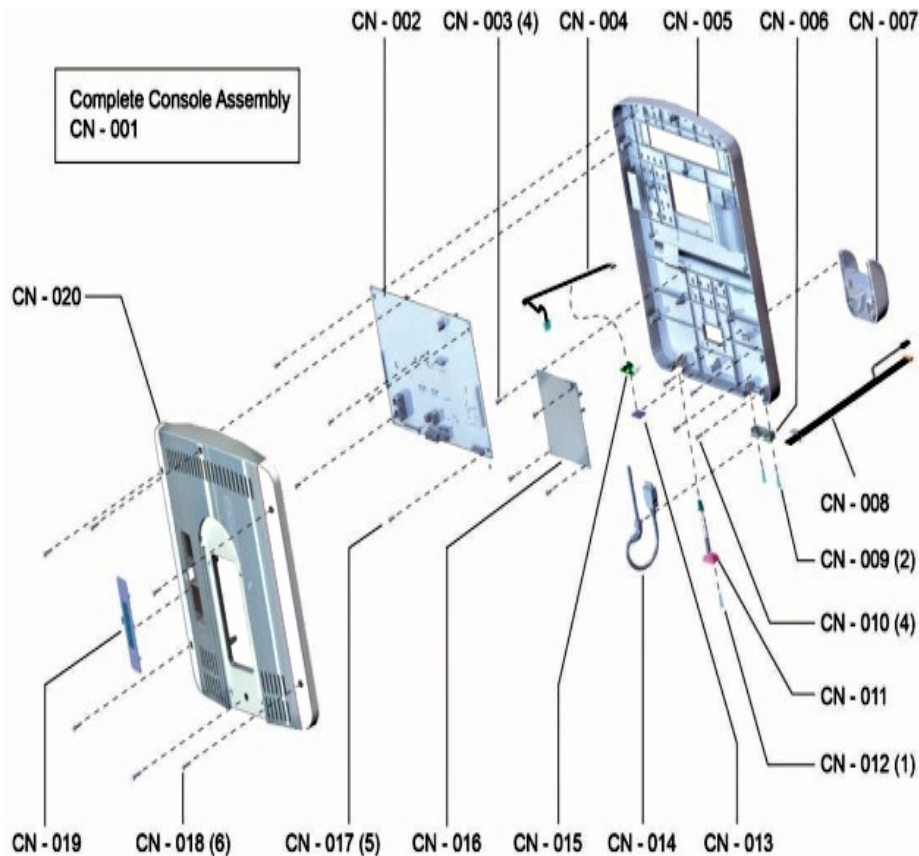
<a href="#">Base Electronic - Parts.....</a>	<a href="#">3</a>
<a href="#">Console Assembly.....</a>	<a href="#">4</a>
<a href="#">Drive System - Anti-Lift Bracket and Outer Pedal Covers.....</a>	<a href="#">6</a>
<a href="#">Drive System - Crankshaft Assembly.....</a>	<a href="#">7</a>
<a href="#">Drive System - Dead Shaft Covers.....</a>	<a href="#">8</a>
<a href="#">Drive System - Drive Belts and Alternator.....</a>	<a href="#">9</a>
<a href="#">Drive System - Pedal Lever Assembly.....</a>	<a href="#">10</a>
<a href="#">Drive System - Rocker Arm Assembly.....</a>	<a href="#">11</a>
<a href="#">Drive System - Roller Assembly.....</a>	<a href="#">12</a>
<a href="#">Heart Rate System.....</a>	<a href="#">13</a>
<a href="#">Linkage System.....</a>	<a href="#">14</a>
<a href="#">Lower Frame System - Pillow Block, Extrusion Cover.....</a>	<a href="#">15</a>
<a href="#">Lower Frame - Clevis and Front Frame Covers.....</a>	<a href="#">16</a>
<a href="#">Lower Frame - Rear Drive Shroud with Decals.....</a>	<a href="#">17</a>
<a href="#">Miscellaneous.....</a>	<a href="#">18</a>
<a href="#">Upper Frame System.....</a>	<a href="#">19</a>
<a href="#">Wiring.....</a>	<a href="#">20</a>

**Base Electronic - Parts**



Ref #	Part Number	Qty	Description
BE-001	AK61-00127-0000	1	Resistor Bracket Assembly
BE-003	AK61-00145-0001	1	PCB Assembly

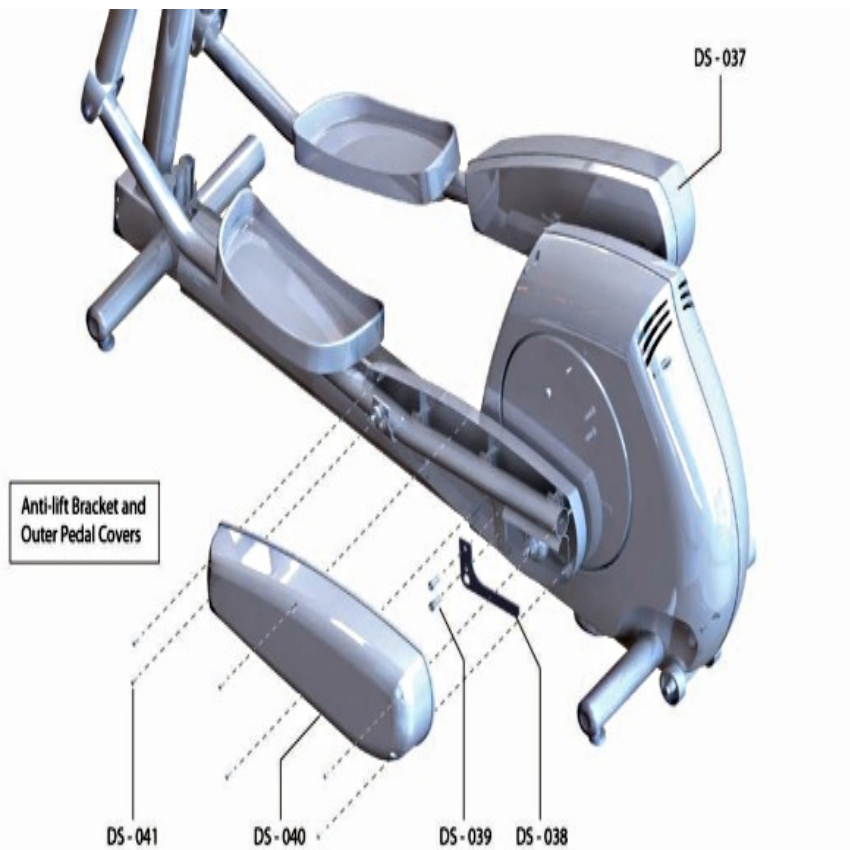
## Console Assembly



Ref #	Part Number	Qty	Description
CN-001	CLEDX-SPNMXC-05 N	1	NC Cross Trainer Console Spn/Met Connect
CN-001	CLEDX-FRNMXC-05 N	1	NC Cross Trainer Console Frn/Met Connect
CN-001	CLEDX-ENGEXC-05 N	1	NC Cross Trainer Console Eng/Eng Connect
CN-002	A084-92367-0001	1	NC PROGRAMMED PCB NON-TREADMILL CONSOLE P/N LF92367-01BRC
CN-003,CN -017	0017-00101-1650	6	Hardware: Phillips Pan Screw 0.375"
CN-004	AK69-00157-0000	1	Polar Cable
CN-005	GK86-00002-0024	1	KIT: OVERLAY: BEZEL SWITCH; INTEGRITY; CLSX ENG
CN-005	GK86-00002-0027	1	CSS KIT ASSEMBLY
CN-005	GK86-00002-0026	1	CSS KIT ASSEMBLY
CN-005	GK86-00002-0025	1	CSS KIT ASSEMBLY
CN-005	GK86-00002-0031	1	CSS KIT ASSEMBLY
CN-006	0K86-01045-0200	1	PLASTIC: USB ACCESS DOOR
CN-007	0K86-01003-0200	1	iPod Holder
CN-008	AK86-00003-0000	1	iPod Console Cable: Non-Tread
CN-009,CN -012	0017-00101-1811	3	Hardware: Phillips Pan Screw 0.625"
CN-010	3223501	4	Hardware: Holder Mounting Screw

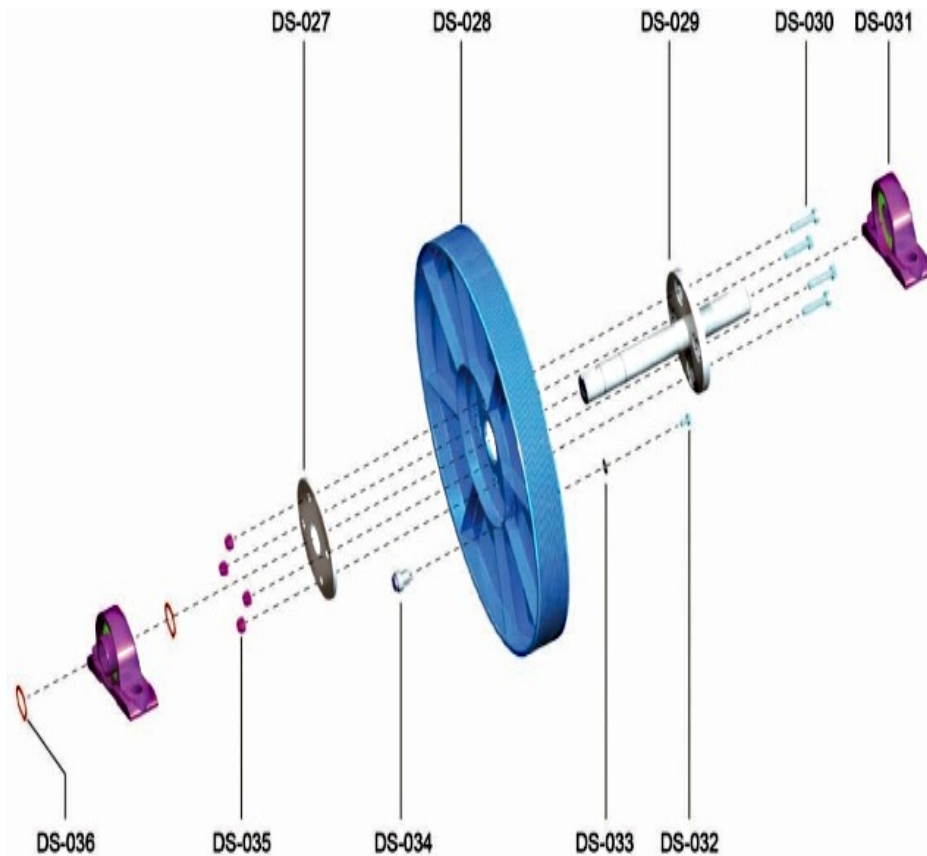
Ref #	Part Number	Qty	Description
CN-011	AK86-00025-0201	1	Headphone Jack
CN-013	0K39-01044-0001	1	Double-sided Tape
CN-014	AK86-00090-0000	1	CABLE ASSY: FEMALE USB CABLE RECEPTICAL
CN-015	118E-00001-0244	1	Heart Rate Receiver
CN-016	B084-92368-0000	1	Lower PCB
CN-018	0017-00101-1242	6	Hardware: Phillips Pan Screw 0.75"
CN-019	0K62-01026-0202	1	Battery Door
CN-020	AK86-00024-0201	1	Console Case Assembly
-	0K62-01175-0001	1	Decal

## Drive System - Anti-Lift Bracket and Outer Pedal Covers



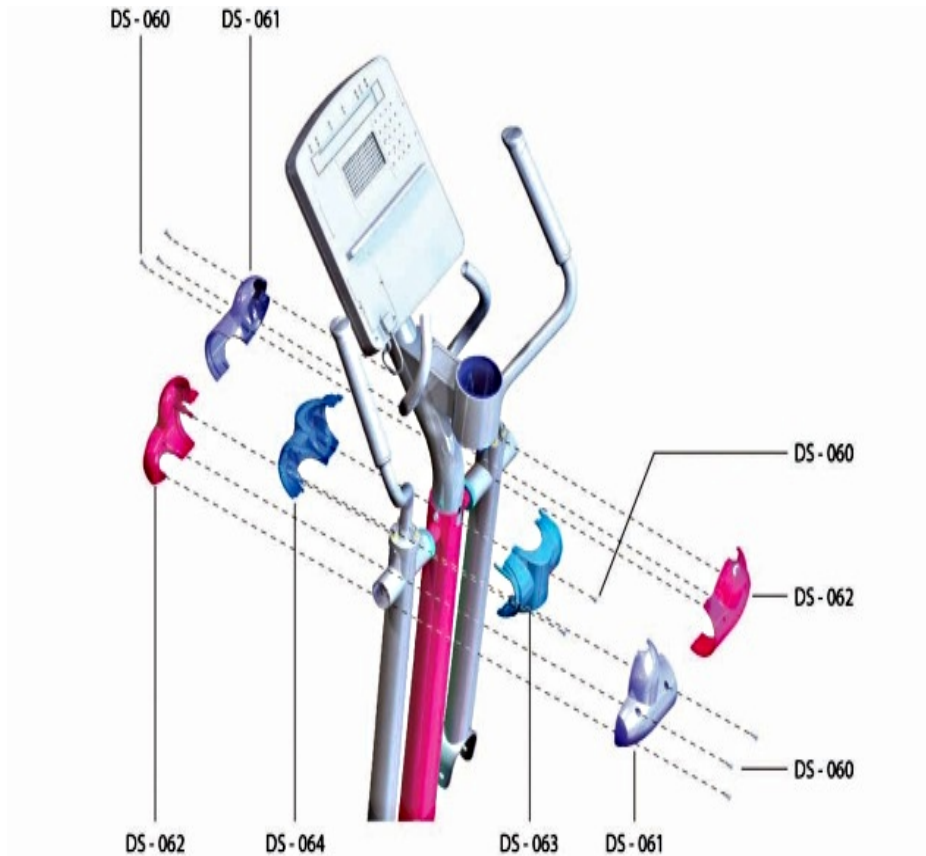
Ref #	Part Number	Qty	Description
DS-037	AK61-00278-0200	1	LINK COVER: W/XFER; DOM; CT; LT
DS-038	0K61-04114-0000	2	Roller Retainer Plate
DS-039	0017-00101-1645	4	Hardware: Bolt
DS-040	AK61-00279-0200	1	LINK COVER: W/XFER; DOM; CT; RT
DS-041	0017-00101-0991	12	Hardware: Phillips Pan Screw 0.75"

## Drive System - Crankshaft Assembly



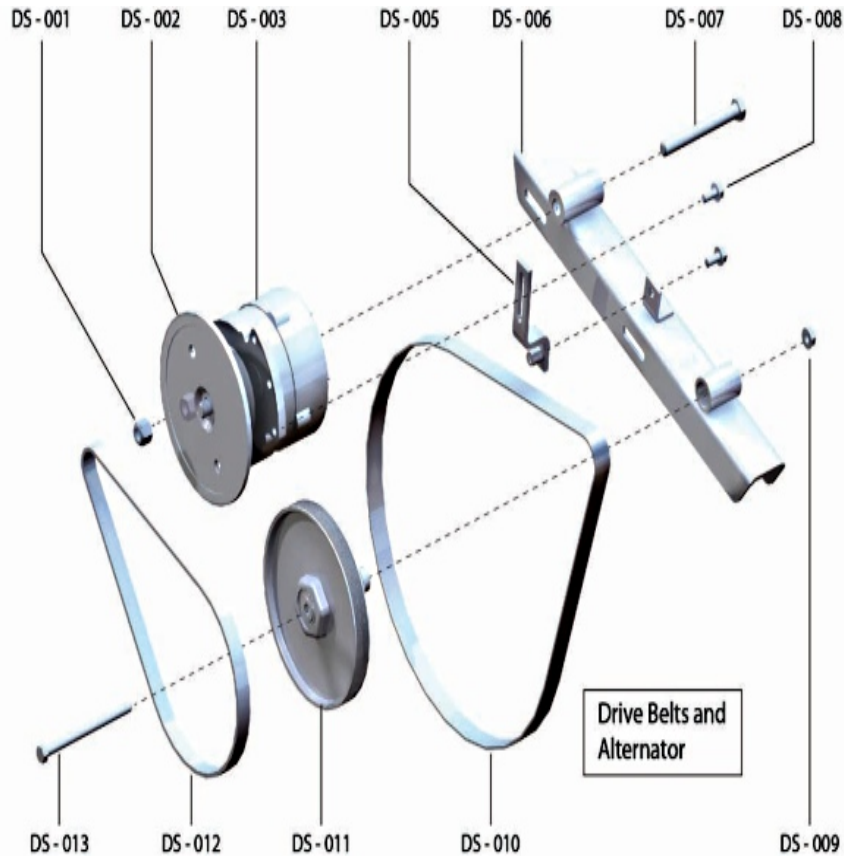
Ref #	Part Number	Qty	Description
DS-026	AK61-00157-0002	1	Crankshaft Assembly
DS-027	0K61-02302-0001	1	Crankshaft Plate
DS-028	0K61-02409-0000	1	Poly-V Crank Pulley
DS-029	0K61-01360-0002	1	Crankshaft w/plate
DS-030	0017-00101-1551	4	Hardware: Hex Bolt 1.25"
DS-031	0K53-01181-0000	1	Hardware: Pillow Block Bearing
DS-032	0017-00101-1282	1	Hardware: TORX Screw 0.375"
DS-033	0017-00104-0168	1	Hardware: Flat Washer 0.5" OD
DS-034	AK62-00186-0000	1	Magnet-Standoff Assembly
DS-035	0017-00103-0019	4	Hardware: Locking Nut 1/4" ID
DS-036	0017-00100-0152	1	Hardware: Retaining Ring 1"

## Drive System - Dead Shaft Covers



Ref #	Part Number	Qty	Description
DS-060	0017-00101-1242	8	Hardware: Phillips Pan Screw 0.75"
DS-061	0K61-06341-0004	2	Rear Rocker Arm Cover
DS-062	0K61-06340-0004	2	Front Rocker Arm Cover
DS-063	0K61-06351-0004	1	Rear Deadshaft Cover
DS-064	0K61-06350-0004	1	Front Deadshaft Cover

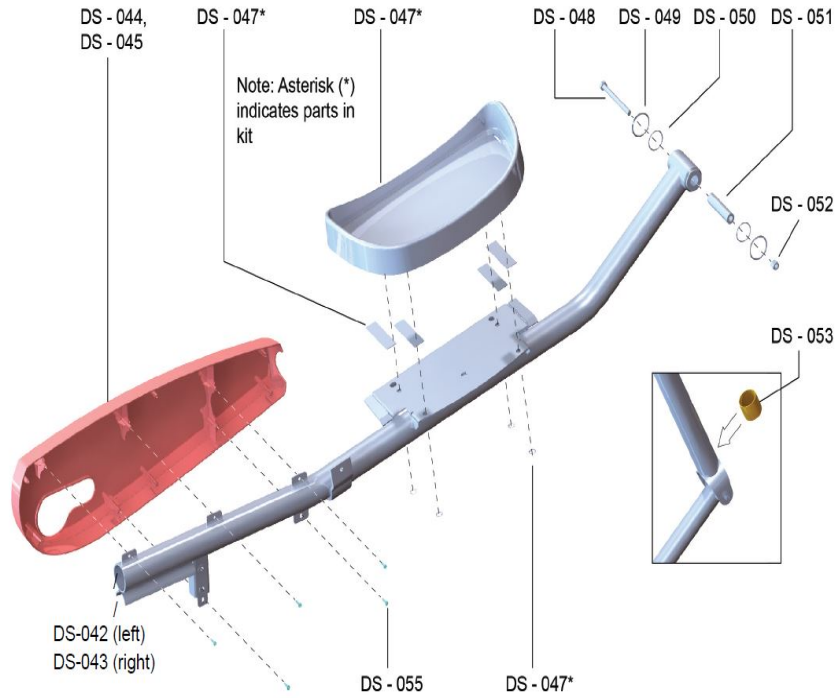
## Drive System - Drive Belts and Alternator



Ref #	Part Number	Qty	Description
DS-001	0017-00103-0117	1	Hardware: Locking Nut 1/2" ID
DS-002	0K61-01027-0000	1	Flywheel: 6.75" D
DS-003	0017-00009-0841	1	Alternator
DS-004	AK61-00250-0001	1	Alternator w/Flywheel
DS-005	0K61-02601-0000	1	Alternator Strap with Insert
DS-006	0K61-02400-0001	1	Intermediate Bracket
DS-007	0017-00101-0964	1	Hardware: Alternator Pivot Bolt 4.5"
DS-008	0017-00101-0986	2	Hardware: Bolt 0.75"
DS-009	0017-00103-0188	1	Hardware: Flange Lock Nut 3/8" ID
DS-010,DS-011	GK61-00002-0056	2	KIT: CROSS TRAINER BELT AND PULLEY
DS-012	0K53-01447-0000	1	Belt: Poly-V; 32"
DS-013	0017-00101-1651	1	Hardware: Intermediate Pulley Bolt 5.5"

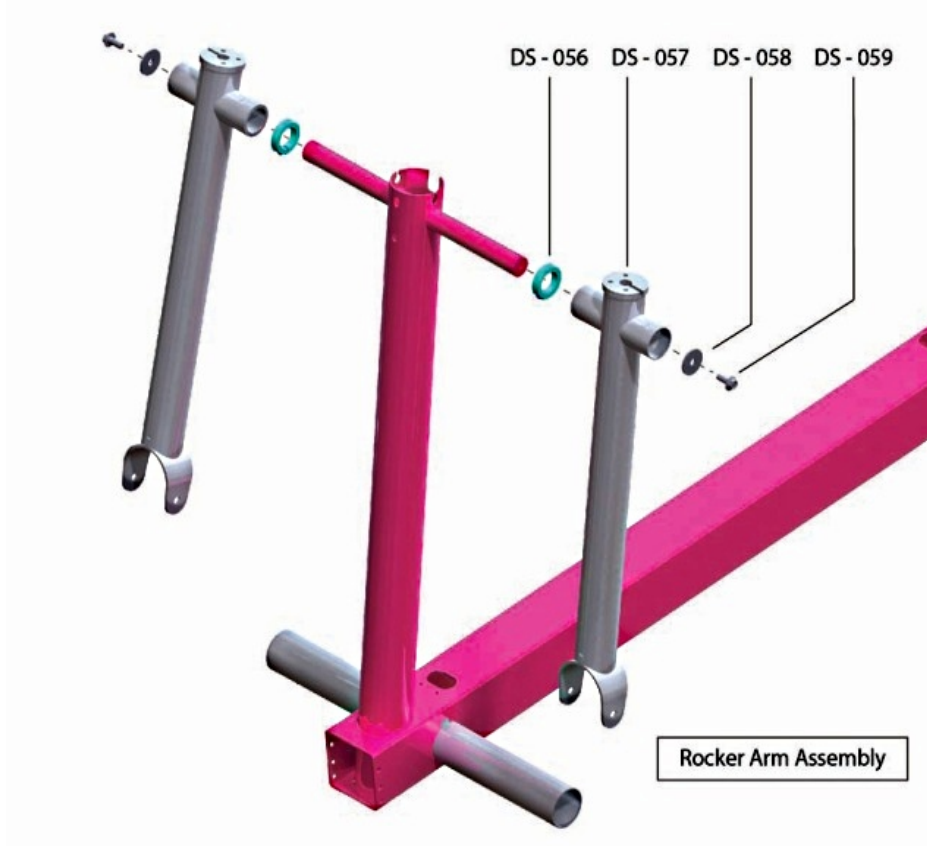
# Drive System - Pedal Lever Assembly

## Pedal Lever Assembly



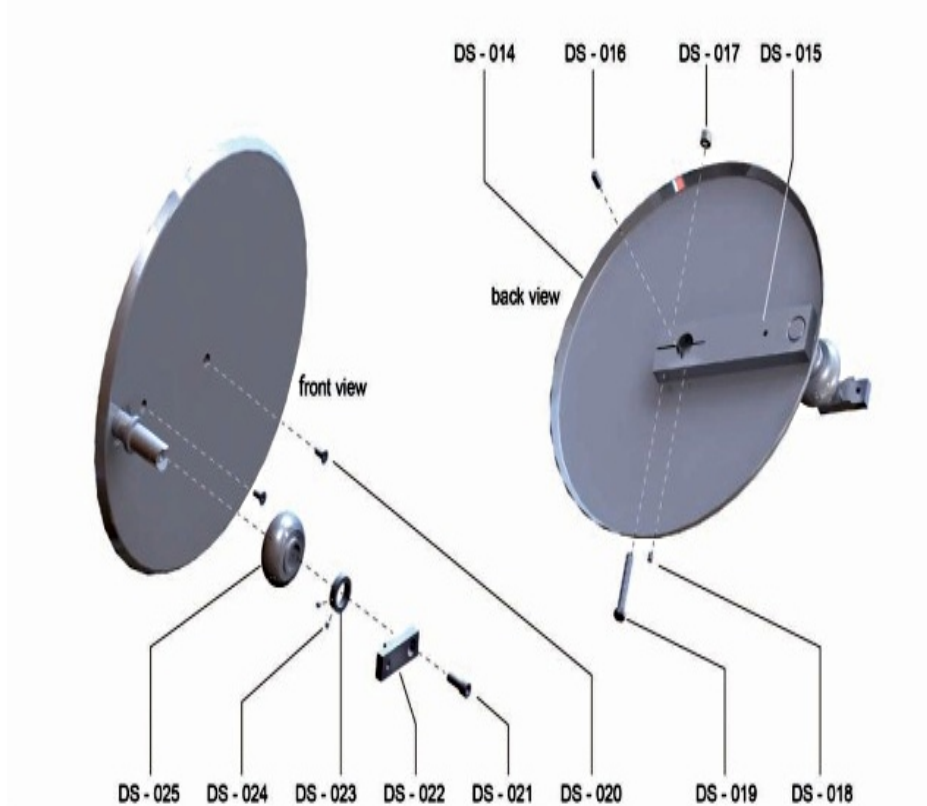
Ref #	Part Number	Qty	Description
DS-042	AK61-00265-5201	1	PEDAL-LEVER W/BEARING ASSY; LT SHADOW GREY
DS-043	AK61-00265-5200	1	PEDAL-LEVER W/BEARING ASSY; RT SHADOW GREY
DS-044	0K61-06300-0005	1	Inside Cover: Left
DS-045	0K61-06320-0005	1	Inside Cover: Right
DS-047	GK61-00002-0055	4	Pedal Kit
DS-048	0017-00101-1646	1	Hardware: Bolt 4.25"
DS-049	0K61-01356-0000	2	Hardware: Beveled Washer
DS-050	0017-00041-0053	2	Viton O-ring
DS-051	0K61-01076-0000	1	Pedal Lever Clevis Shaft
DS-052	0017-00103-0137	1	Hardware: Locking Nut 3/8" ID
DS-053	0K61-01410-0200	1	Rocker Seal
DS-055	0017-00101-1242	5	Hardware: Phillips Pan Screw 0.75"

## Drive System - Rocker Arm Assembly



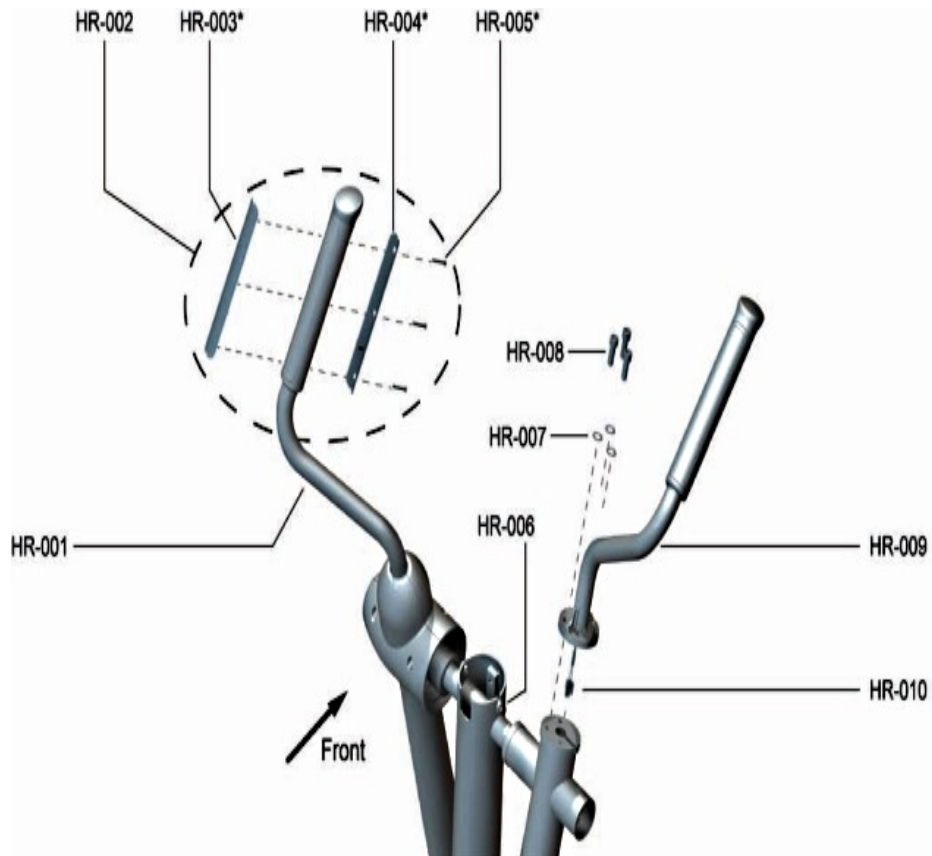
Ref #	Part Number	Qty	Description
DS-056	0K61-01259-0000	2	Shaft Split Collar
DS-057	AK61-00094-0007	2	Rocker Arm: Right or Left
DS-058	0017-00104-0454	2	Hardware: Flat Washer 1.62" OD
DS-059	0017-00101-1635	2	Hardware: Hex Bolt 1"

## Drive System - Roller Assembly



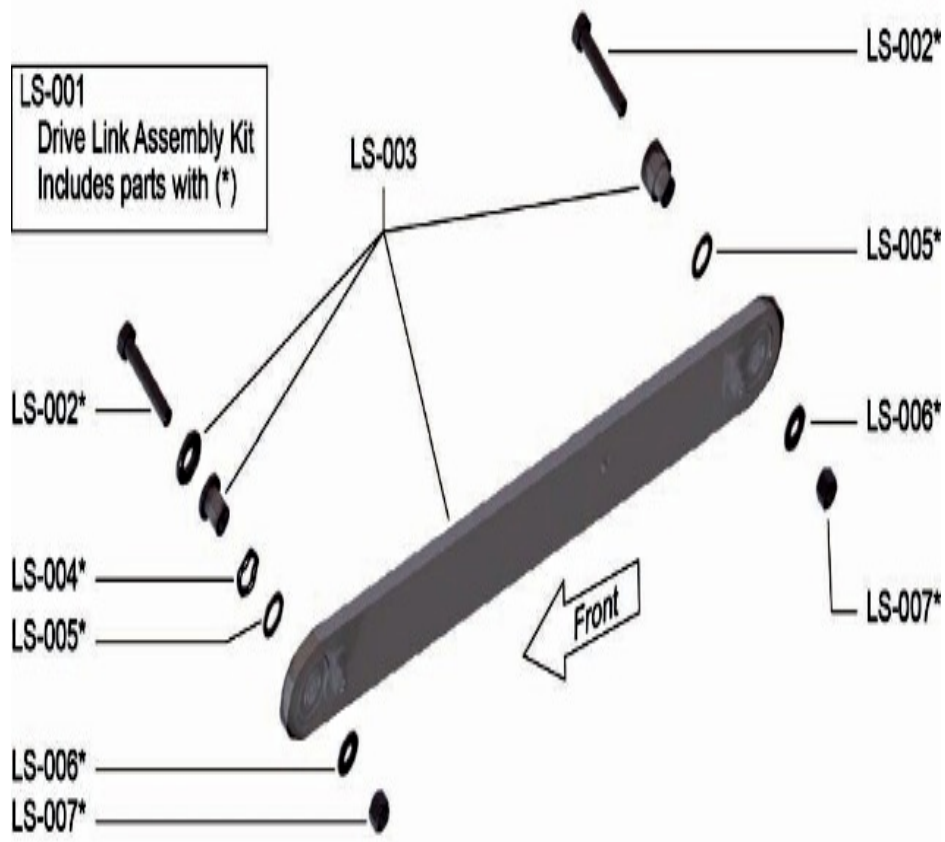
Ref #	Part Number	Qty	Description
DS-014	0K61-03100-5104	1	Crank Cover
DS-015	AK61-00064-0001	1	Crank Arm
DS-016	0K53-01122-0000	1	Square Key
DS-017	0017-00103-0025	1	Hardware: Locking Nut 3/8" ID
DS-018	0017-00101-0333	1	Hardware: Screw 0.3125"
DS-019	0017-00101-1606	1	Hardware: Hex Bolt 2.5"
DS-020	0017-00101-1844	2	Hardware: Screw
DS-021	0017-00101-1645	1	Hardware: Bolt
DS-022	0K61-03004-0000	1	Arm Extension
DS-023	0K61-01260-0000	1	Crank Arm Shaft Collar
DS-024	0017-00101-0314	2	Hardware: Screw 0.1875"
DS-025	GK61-00002-0026	1	Roller

## Heart Rate System



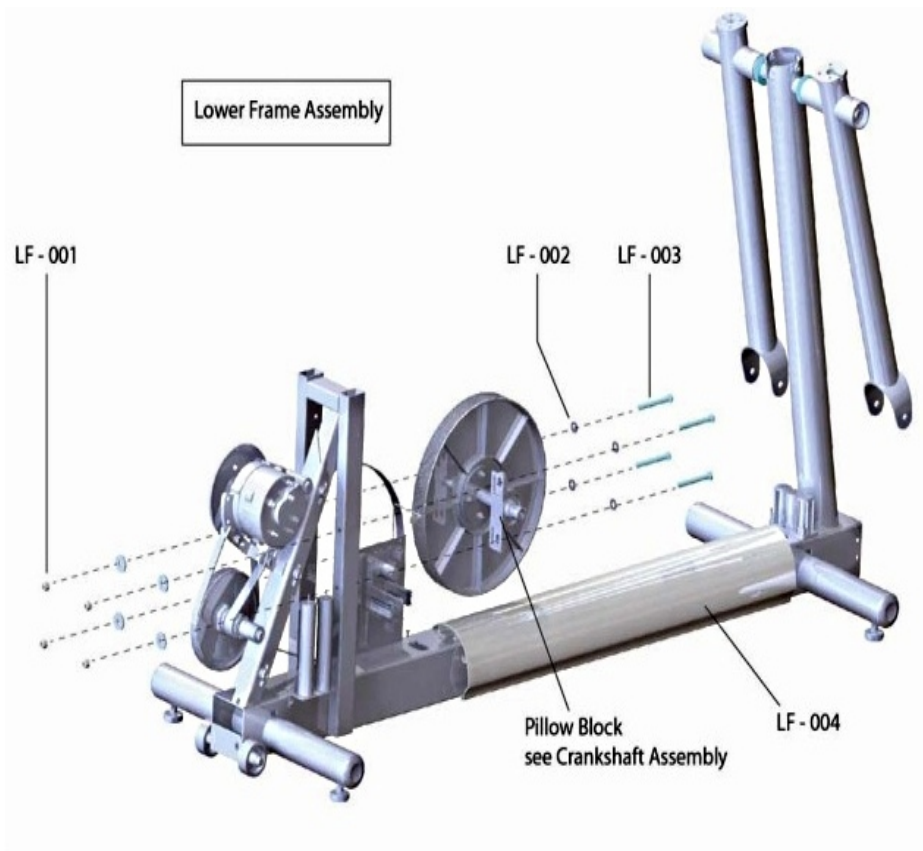
Ref #	Part Number	Qty	Description
HR-001	AK61-00258-0002	1	Upper Arm: Left
HR-002	GK69-00002-0002	1	Handlebar Heart Rate Kit
HR-006	0017-00042-1078	2	Hardware: Bushing
HR-007	0017-00104-0450	3	Hardware: Flat Washer 0.67" OD
HR-008	0017-00101-1645	3	Hardware: Bolt
HR-009	AK61-00258-0003	1	Upper Arm: Right
HR-010	AK61-00051-0000	1	Bullhorn HR cables

## Linkage System



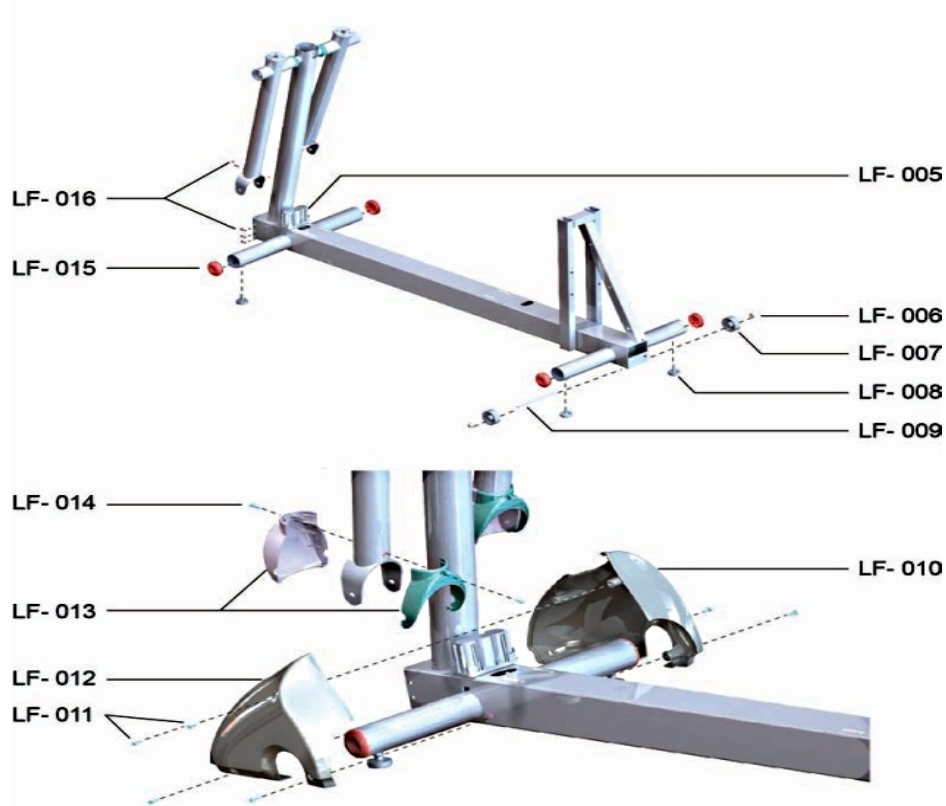
Ref #	Part Number	Qty	Description
LS-001	GK61-00002-0020	1	Drive Linkage Assembly Kit

## Lower Frame System - Pillow Block, Extrusion Cover



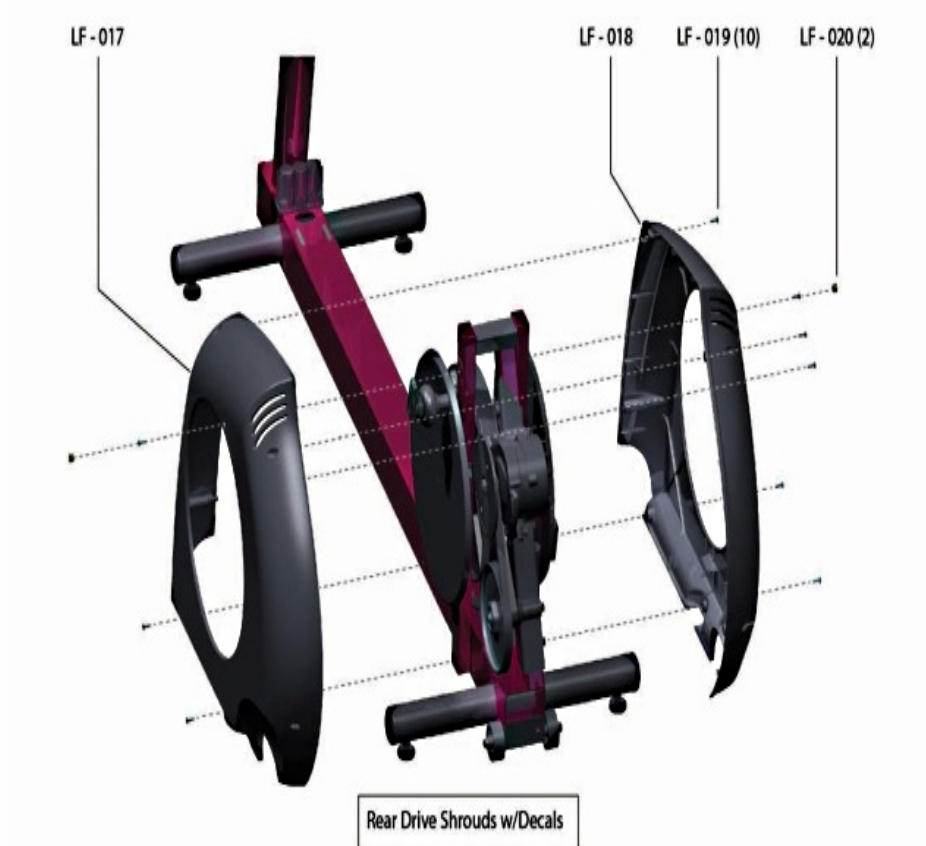
Ref #	Part Number	Qty	Description
LF-001	0017-00103-0025	1	Hardware: Locking Nut 3/8" ID
LF-002	0017-00104-0192	1	Hardware: Flat Washer 0.813" OD
LF-003	0017-00101-1635	1	Hardware: Hex Bolt 1"
LF-004	0K61-06121-0008	1	Extrusion Cover

## Lower Frame - Clevis and Front Frame Covers



Ref #	Part Number	Qty	Description
LF-005	0017-00003-0685	1	6V Battery
LF-006	0017-00042-1066	2	Push-on cap
LF-007	0017-00042-0674	2	Wheel
LF-008	AK61-00035-0000	4	Leg Leveler
LF-009	0K61-01300-0000	1	Wheel Shaft
LF-010	0K61-06250-0003	1	Front Cover: Right
LF-011,LF-014	0017-00101-1242	20	Hardware: Phillips Pan Screw 0.75"
LF-012	0K61-06240-0003	1	Front Cover: Left
LF-013	AK61-00062-0003	2	Clevis Cover
LF-015	0K61-01284-0204	4	Stabilizer Cap
LF-016	0017-00042-0754	14	Hardware: Grommet

## Lower Frame - Rear Drive Shroud with Decals



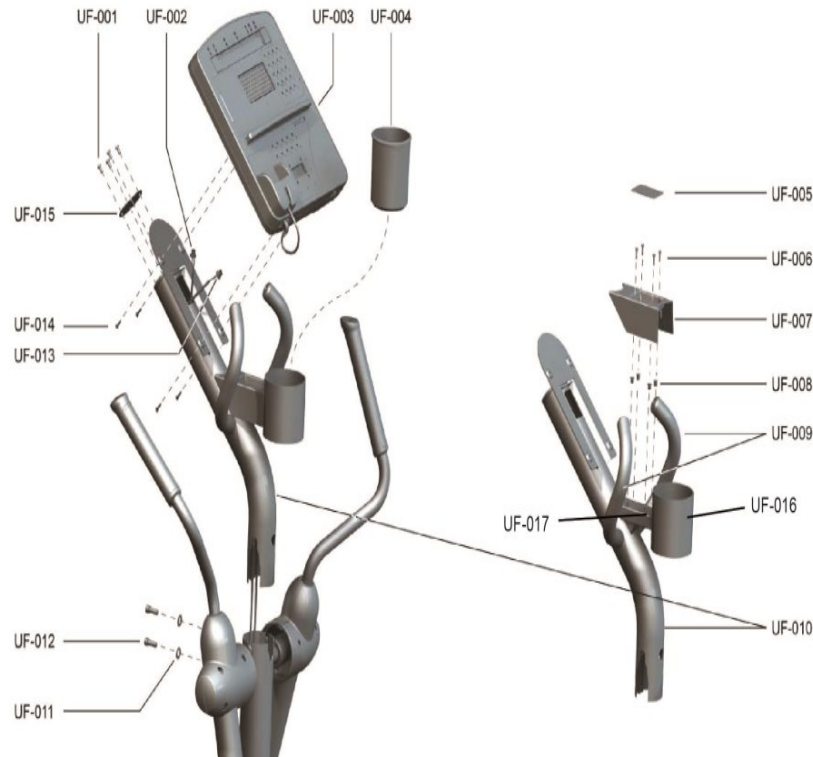
Ref #	Part Number	Qty	Description
LF-017	AK61-00176-0006	1	Rear Cover w/Decal: Left
LF-018	AK61-00176-0005	1	Rear Cover w/Decal: Right
LF-019	0017-00101-0991	10	Hardware: Phillips Pan Screw 0.75"
LF-020	0K14-01384-0000	2	Plug

**Miscellaneous**

---

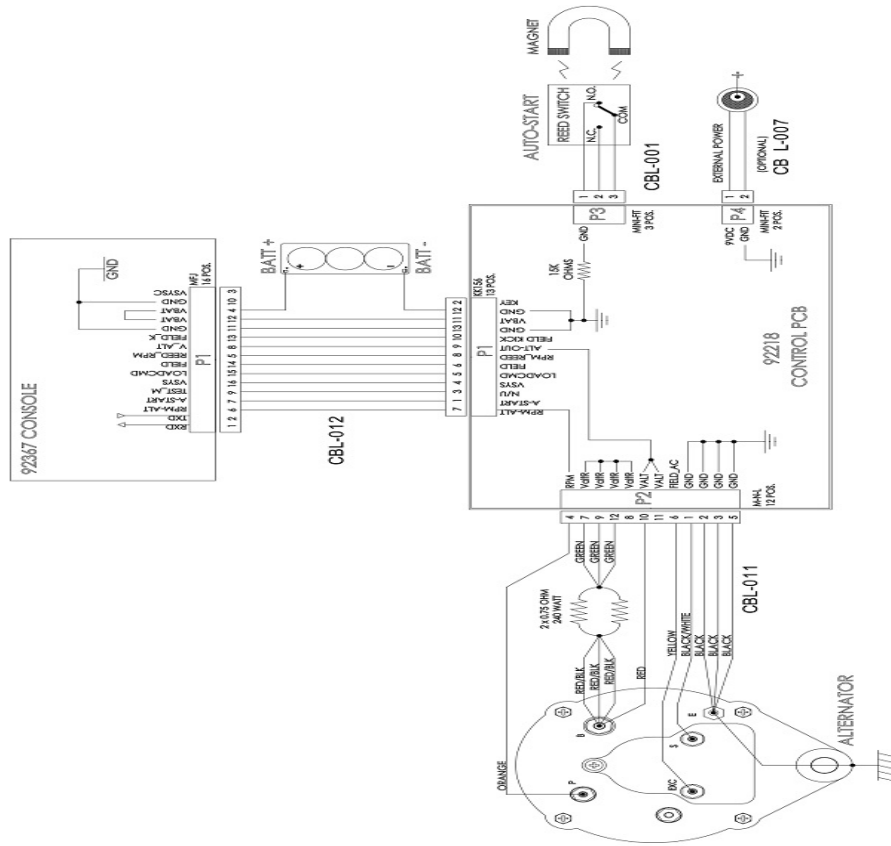
Ref #	Part Number	Qty	Description
-	0K61-01373-0003	1	BRKT: ACCESS
-	0017-00008-0211	1	Paint: Shadow-Gray Touch Up: .6 OZ Bottle
-	0017-00008-0205	1	5 oz Bottle - Arctic Silver
-	0017-00008-0210	1	Paint: Shadow-Gray Touch Up: .6 OZ Bottle
-	0017-00008-0206	1	.33oz Pen - Arctic Silver
-	0017-00042-0754	1	Hardware: Grommet
-	AK61-00222-0000	1	Hardware Bag
-	AK32-00020-0002	1	Coax Cable: 120"
-	AK32-00078-0001	1	Power Extension Cable: 120"
-	0017-00008-0204	1	Paint Spray Can - Arctic Silver
-	0017-00021-2846	1	F-Type Panel Connector
-	AK61-00190-0000	1	Access Panel Assembly

## Upper Frame System



Ref #	Part Number	Qty	Description
UF-001	0017-00101-1746	4	Hardware: Console Support Cap Screw
UF-002	AK61-00051-0001	1	Lifepulse: User-Arm
UF-004	GK63-00002-0080	1	KIT: INT CUPHOLDER W/ ORINGS
UF-004	0K61-01013-0201	1	SHROUD: CUP HOLDER, PLASTIC
UF-005	0K61-05070-0700	1	Accessory Tray Pad
UF-006,UF-014	0017-00101-1744	8	Hardware: Phillips Pan Screw
UF-007	0K61-06013-0201	1	Accessory Tray
UF-008	0017-00042-0754	4	Hardware: Grommet
UF-009	0K62-01136-0002	2	Bullhorn Grip 11.75"
UF-010	AK61-00505-0000	1	Console Support Assembly w/Handrings
UF-011	0017-00104-0192	2	Hardware: Flat Washer 0.813" OD
UF-012	0017-00101-1645	2	Hardware: Bolt
UF-013	AK61-00136-0000	1	Main Cable
UF-015	0K61-06012-5101	1	Console Cap

### Wiring



Ref #	Part Number	Qty	Description
CBL-001	118E-00001-0140	1	Reed Switch SPDT
CBL-002	118E-00001-0266	1	FFC 16 Pin 1.25mm 7 in. Cable
CBL-003	AK32-00020-0002	1	Coax Cable: 120"
CBL-004	AK32-00078-0001	1	Power Extension Cable: 120"
CBL-005	AK32-00124-0002	1	Headphone Jack Cable - 3.5 mm
CBL-007	AK47-00063-0001	1	DC Power Cable
CBL-008	AK61-00051-0001	1	Lifepulse: User-Arm
CBL-009	AK61-00052-0002	1	Lifepulse Sensor Cable
CBL-011	AK61-00135-0000	1	Power Control Cable Assembly
CBL-012	AK61-00136-0000	1	Main Cable
CBL-017	AK69-00157-0000	1	Polar Cable
CBL-018	AK86-00087-0200	1	OVERMOLDED IPOD CABLE; NON TREAD; INTEGRITY take from REP depot
CBL-019	AK86-00002-0000	1	TV Control: Non-Tread
CBL-020	AK86-00003-0000	1	iPod Console Cable: Non-Tread

