

Classic ENG Cross-Trainer - English/Metric

CLSXH-0100-01

Parts Manual

1/5/2019 12:58:03 PM



LifeFitness
WHAT WE LIVE FOR

Table of Contents

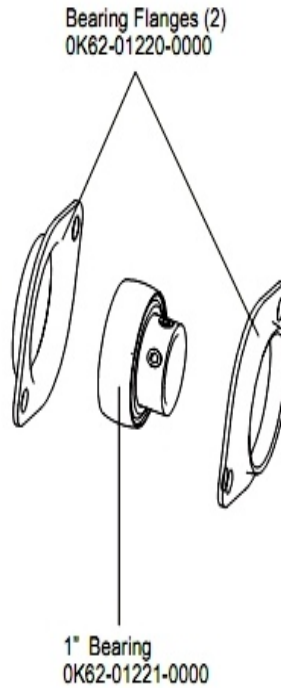
Bearing-Insert Assembly	3
Cables	4
Console And Related Components	5
Console Support And Dead Shaft Covers	6
Crank Arm Pulley Assembly	7
Crank Cover And Lower Caps	8
Drive Module	9
Drive Module Hardware	10
Handlebars And Bullhorns	11
Lower Frame Shrouds And Hardware	12
Miscellaneous	13
Pedal Lever Assembly Components	14
PCB, Battery, Reed Switch And Bracket	16
Rocker Arms And Pedal Levers	17
Upper Frame Hardware	18

Bearing-Insert Assembly

Bearing Insert Assembly
AK62-00299-0000

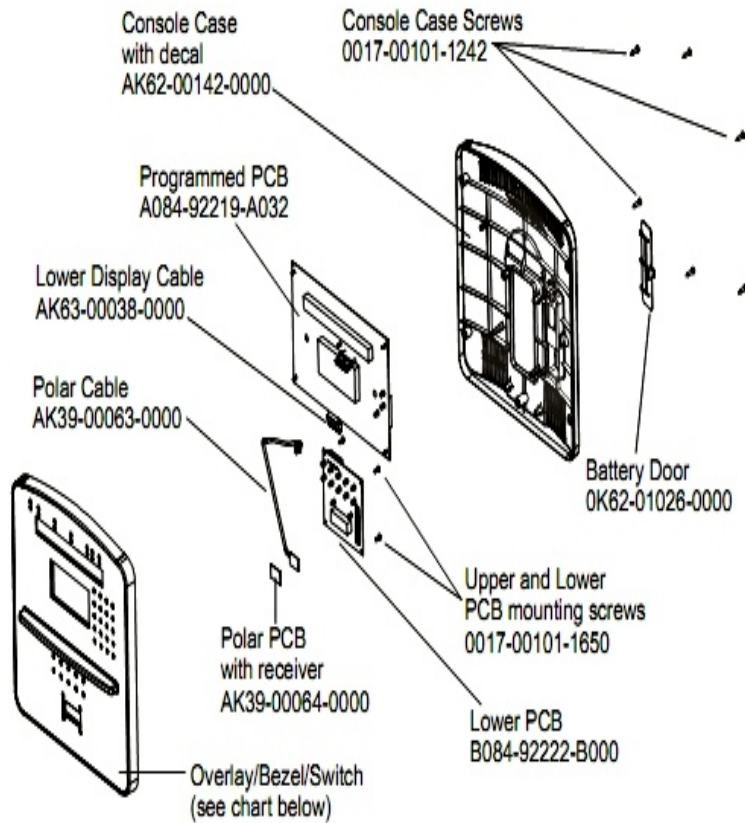
Service Kit
GK62-00002-0044
kit contents:
Crankshaft (1)
Bearings (2)
Bearing Flanges (2 sets)
Nuts (4)
Washers (4)

Service Kit
GK62-00002-0045
kit contents:
Intermediate Shaft (1)
Bearings (2)
Bearing Flanges (2 sets)
Nuts (4)
Washers (4)



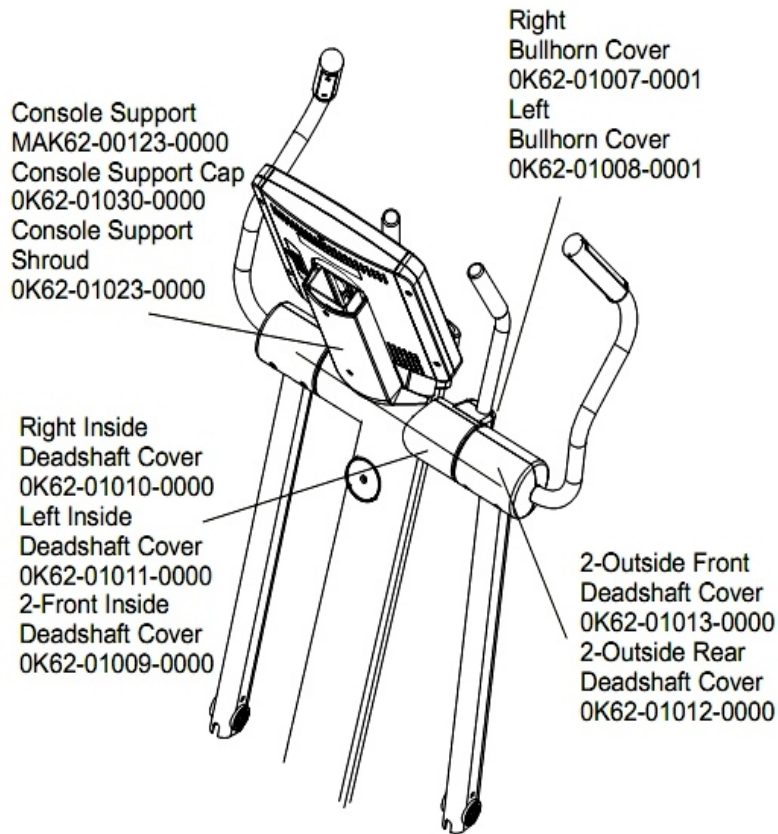
Ref #	Part Number	Qty	Description
-	0K62-01220-0000	2	Bearing Flange
-	GK62-00002-0045	1	Intermediate Shaft Bearing Kit
-	AK62-00299-0000	1	Bearing Insert Assembly
-	GK62-00002-0044	1	Crankshaft Bearing Kit
-	0K62-01221-0000	1	1" Bearing

Console And Related Components



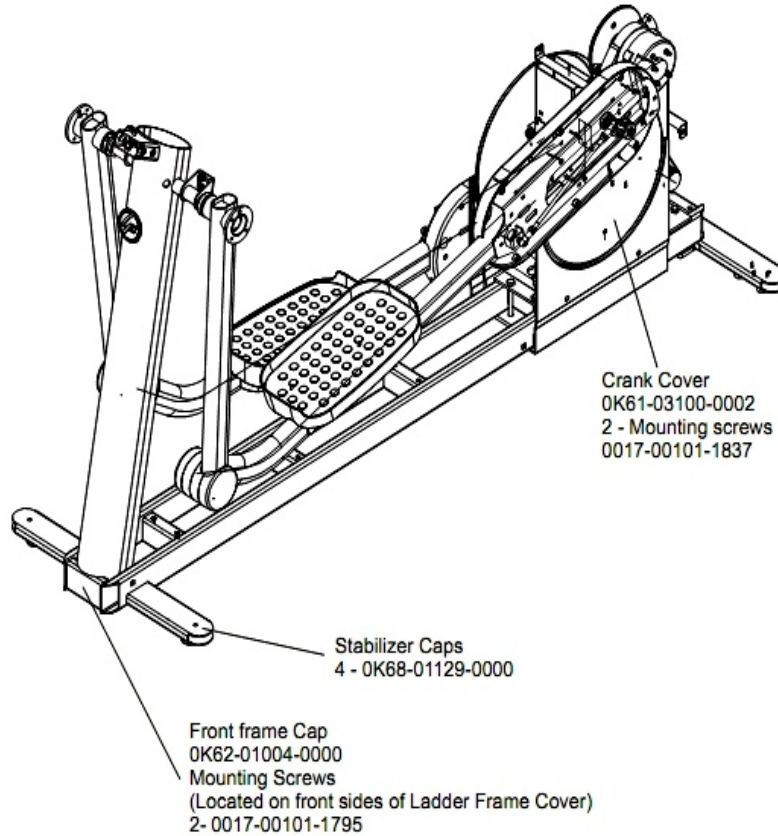
Ref #	Part Number	Qty	Description
-	A084-92219-A032	1	Programmed PCB
-	AK62-00191-0001	1	Bezel Switch with Overlay: English/Metric
-	0017-00101-1650	1	Hardware: Phillips Pan Screw 0.375"
-	AK62-00329-0001	1	Console English/Metric
-	118E-00001-0259	1	Wireless Receiver Module, Non-Coded
-	AK39-00063-0000	1	Polar Cable
-	0017-00101-1242	6	Hardware: Phillips Pan Screw 0.75"
-	AK63-00038-0000	1	Lower Console Cable
-	B084-92222-B000	1	Console Board - Lower
-	AK62-00142-0000	1	Console Case with Decal
-	0K62-01026-0000	1	Battery Door

Console Support And Dead Shaft Covers



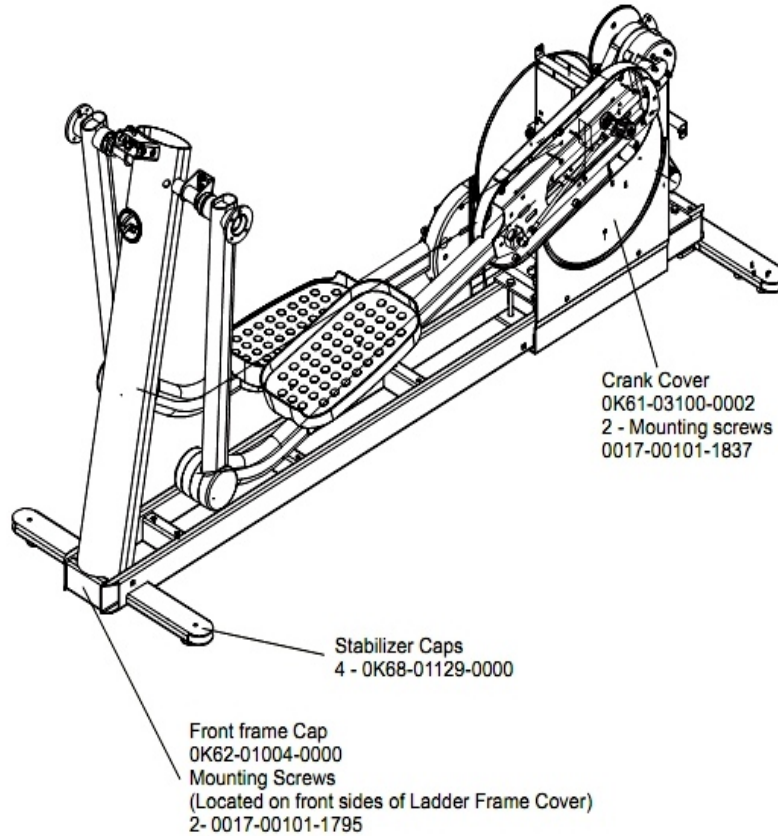
Ref #	Part Number	Qty	Description
-	0K62-01010-0000	1	Right Inside Deadshaft Cover
-	0K62-01009-0000	2	Front Inside Deadshaft Cover
-	0K62-01012-0000	2	Front Outside Deadshaft Cover
-	0K62-01007-0001	1	Bullhorn Cover Right
-	0K62-01023-0001	1	Console Support Shroud
-	0K62-01008-0001	1	Bullhorn Cover Left
-	0K62-01011-0000	1	Left Inside Deadshaft Cover
-	0K62-01013-0000	2	Rear Outside Deadshaft Cover
-	0K62-01030-0001	1	Console Support Cap
-	MAK62-00123-0000	1	Console Support

Crank Arm Pulley Assembly



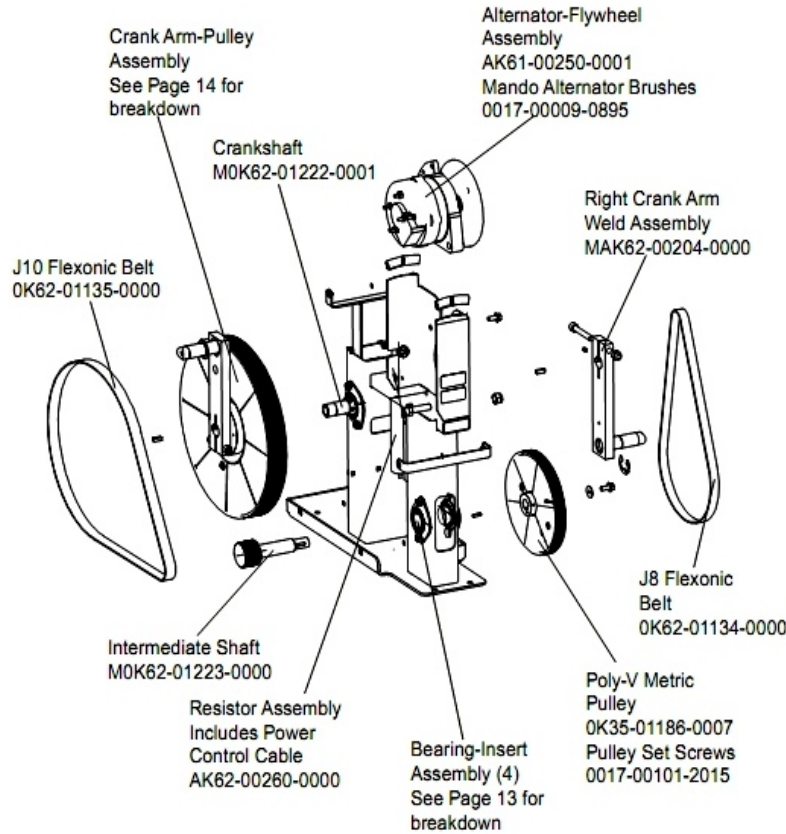
Ref #	Part Number	Qty	Description
-	0017-00101-1860	1	Hardware: Crankarm Bolt 65MM
-	AK62-00186-0000	1	Magnet-Standoff Assembly
-	0017-00101-1835	1	Hardware: Screw 10MM
-	0017-00101-1834	4	Hardware: Screw 24MM
-	0017-00100-0107	1	Hardware: E-Ring 1"
-	MAK62-00205-0000	1	Left Crank Arm Weld Assembly
-	0017-00103-0334	1	Hardware: Nut 10 MM
-	0017-00104-0144	1	Hardware: Washer 0.625" OD
-	MOK61-02302-0001	1	Crankshaft Plate
-	OK61-02409-0000	1	Poly-V Crank Pulley

Crank Cover And Lower Caps



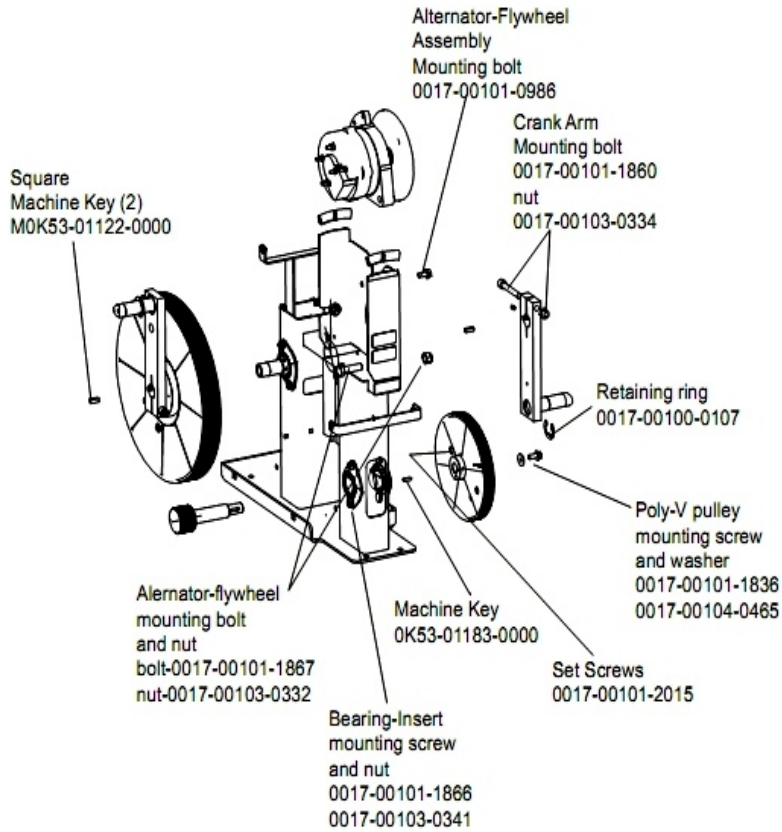
Ref #	Part Number	Qty	Description
-	OK61-03100-0002	1	Crank Cover
-	OK68-01130-0200	4	CAP; STABILIZER; SHADOW GREY
-	0017-00101-1795	2	Hardware: Mounting Screw
-	OK62-01004-0002	1	Front frame Cap
-	0017-00101-1837	2	Hardware: Screw 18MM

Drive Module



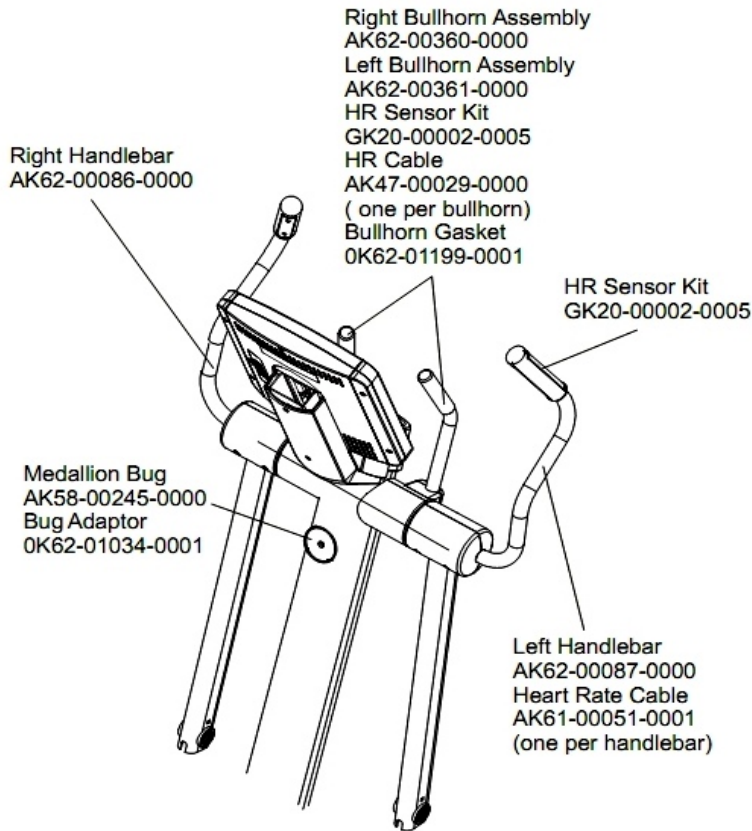
Ref #	Part Number	Qty	Description
-	OK62-01135-0000	1	Drive Belt
-	0017-00009-0895	1	Alternator Brush Kit
-	AK61-00250-0001	1	Alternator w/Flywheel
-	OK35-01186-0007	1	Poly-V Pulley
-	MOK62-01222-0001	1	Crankshaft
-	MAK62-00204-0000	1	Right Crank Arm Weld Assembly
-	OK62-01134-0000	1	Flexonic Belt
-	AK62-00260-0000	1	Resistor Assembly
-	MOK62-01223-0000	1	Intermediate Shaft
-	0017-00101-2015	1	Hardware: Pulley Set Screw 15 MM

Drive Module Hardware



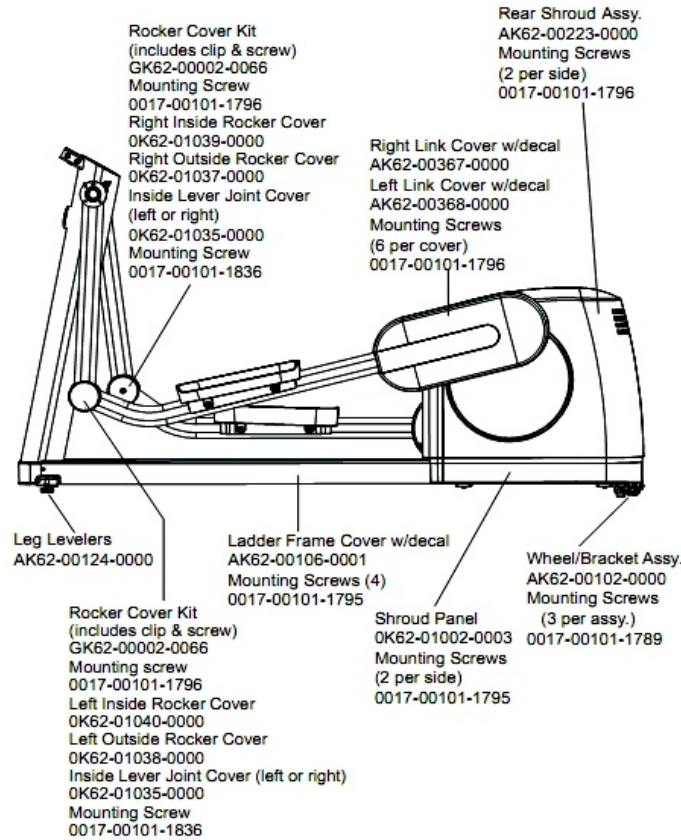
Ref #	Part Number	Qty	Description
-	0017-00101-1867	1	Hardware: Mounting Bolt 45 MM
-	0017-00104-0465	1	Hardware: Flat Washer 23MM OD
-	0017-00103-0341	2	Hardware: Hex Nut 8 MM
-	0017-00100-0107	1	Hardware: E-Ring 1"
-	0K53-01183-0000	1	Hex key
-	0017-00103-0334	1	Hardware: Nut 10 MM
-	0017-00101-2015	1	Hardware: Pulley Set Screw 15 MM
-	0017-00101-1836	1	Hardware: Screw 10 MM
-	0017-00103-0332	1	Hardware: Mounting Nut
-	0017-00101-1866	2	Hardware: Bearing-Insert mounting screw
-	0017-00101-1860	1	Hardware: Crankarm Bolt 65MM
-	M0K53-01122-0000	2	Machine Key
-	0017-00101-0986	1	Hardware: Bolt 0.75"

Handlebars And Bullhorns



Ref #	Part Number	Qty	Description
-	OK62-01034-0001	1	Bug Adaptor
-	OK62-01199-0001	1	Bullhorn Gasket
-	AK62-00360-0000	1	Right Bullhorn
-	AK58-00245-0000	1	Bug Medallion
-	AK61-00051-0001	2	Lifepulse: User-Arm
-	AK47-00029-0000	2	Lifepulse Cable
-	AK62-00086-0000	1	Handlebar: Right
-	AK62-00361-0000	1	Left Bullhorn
-	AK62-00087-0000	1	Handlebar: Left
-	GK20-00002-0005	4	Heart Rate Electrode Kit

Lower Frame Shrouds And Hardware

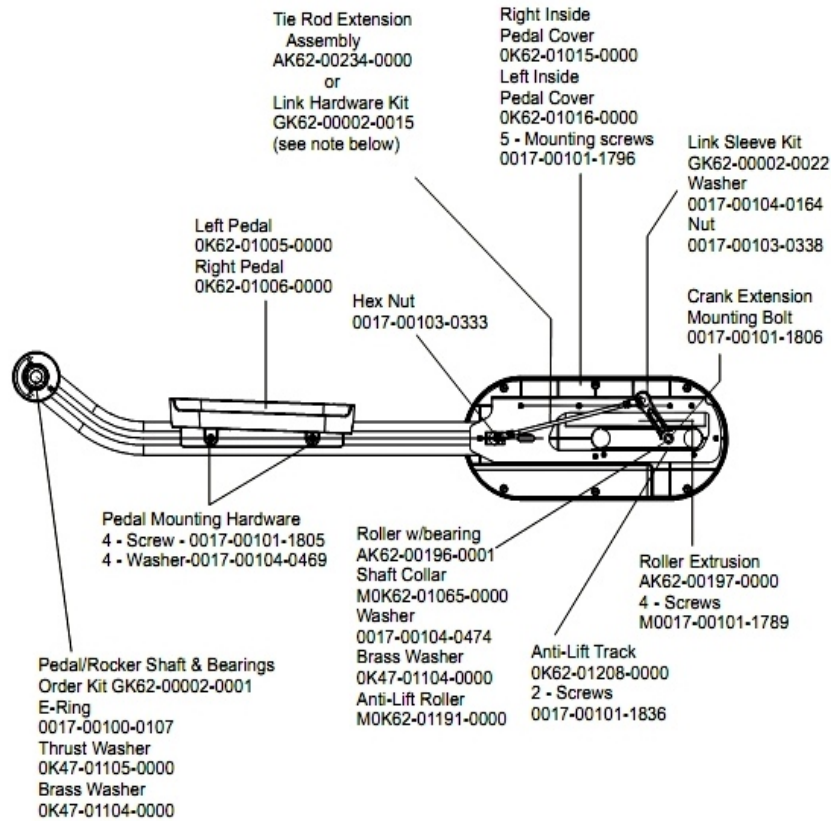


Ref #	Part Number	Qty	Description
-	OK62-01035-0000	2	Inside Lever Joint Cover
-	OK62-01039-0000	1	Right Inside Lever Joint Cover
-	AK62-00368-0000	1	Left Link Cover with decal
-	GK62-00002-0066	2	Rocker Cover Kit
-	OK62-01037-0000	1	
-	0017-00101-1795	8	Hardware: Mounting Screw
-	0017-00101-1836	2	Hardware: Screw 10 MM
-	AK62-00102-0000	1	Wheel/Bracket Assembly
-	AK62-00367-0000	1	Right Link Cover with decal
-	OK62-01002-0003	1	Shroud Panel
-	AK62-00223-0000	1	Rear Shroud Assembly
-	0017-00101-1796	18	Hardware: Mounting Screw 19 MM
-	OK62-01040-0000	1	Left Inside Lever Joint Cover
-	AK62-00106-0001	1	Ladder Frame Cover with Decal
-	AK62-00124-0000	2	Leg Leveler
-	0017-00101-1789	3	Hardware: Mounting Screws
-	OK62-01038-0000	1	Left Inside Rocker Cover

Miscellaneous

Ref #	Part Number	Qty	Description
-	AK62-00152-0001	1	Hardware Bag
-	0017-00021-2846	1	F-Type Panel Connector
-	0017-00008-0205	1	5 oz Bottle - Arctic Silver
-	0017-00008-0204	1	Paint Spray Can - Arctic Silver
-	AK32-00078-0001	1	Power Extension Cable: 120"
-	AK62-00210-0000	1	Power-Cable with Bracket Assembly
-	0K62-01179-0001	1	Bracket: Access Panel; Plug-in
-	0017-00008-0206	1	.33oz Pen - Arctic Silver
-	0017-00042-0754	1	Hardware: Grommet
-	GK62-00002-0018	1	Plug in Option 120/60
-	AK32-00020-0002	1	Coax Cable: 120"

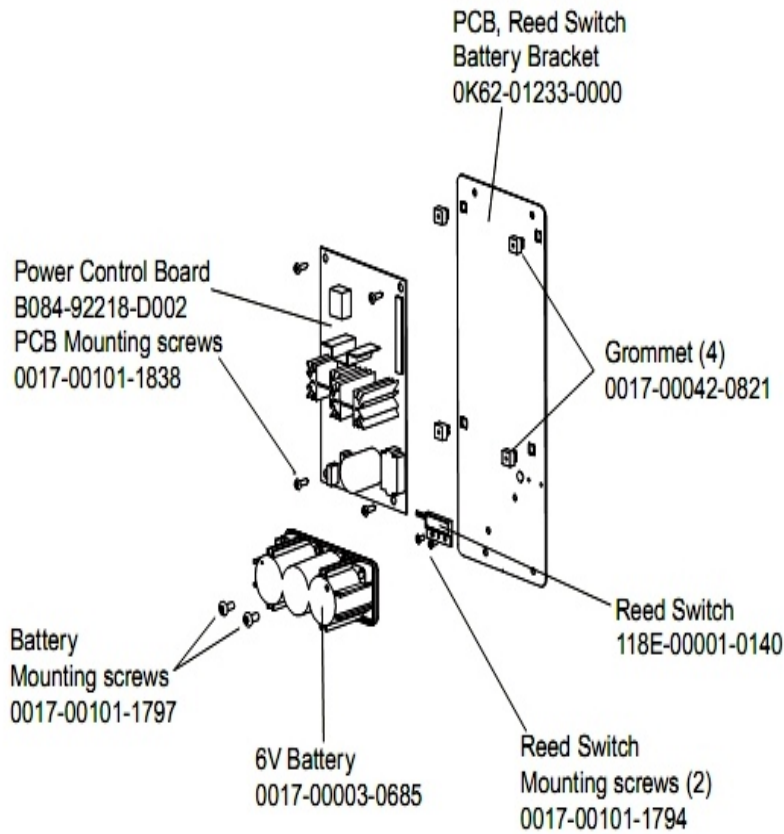
Pedal Lever Assembly Components



Ref #	Part Number	Qty	Description
-	0K47-01104-0000	4	Hardware: Thrust Washer
-	0017-00100-0107	2	Hardware: E-Ring 1"
-	M0017-00101-1789	8	Hardware: Screw
-	M0K62-01065-0000	2	Shaft Collar
-	0017-00101-1806	2	Hardware: Crank Extension Mounting Bolt
-	AK62-00196-0001	2	Roller with Bearing
-	AK62-00197-0000	2	Roller Extrusion
-	GK62-00002-0001	2	Pedal/Rocker Shaft and Bearings
-	GK62-00002-0071	4	Control Link Kit
-	0017-00101-1796	10	Hardware: Mounting Screw 19 MM
-	0017-00104-0474	2	Hardware: Washer
-	0K47-01105-0000	2	Hardware: Hardened Thrust Washer
-	0K62-01005-0000	1	Left Pedal
-	0K62-01006-0000	1	Right Pedal
-	0K62-01016-0000	1	Inside Pedal Cover Left
-	0K62-01208-0000	2	Anti-Lift Track
-	GK62-00002-0022	2	Link Sleeve Kit
-	0K62-01015-0000	1	Inside Pedal Cover Right
-	0017-00101-1836	4	Hardware: Screw 10 MM
-	0017-00103-0333	2	Hardware: Hex Nut
-	0017-00101-1805	8	Hardware: TORX Screw 25 MM
-	0017-00104-0469	8	Hardware: Flat Washer 16MM OD

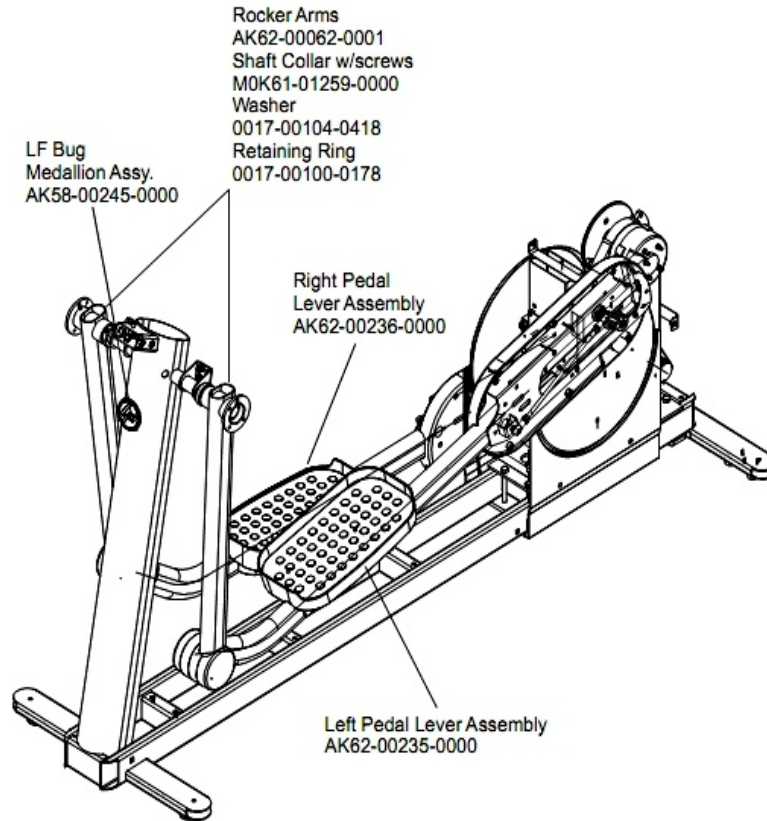
Ref #	Part Number	Qty	Description
-	M0K62-01191-0000	2	Anti-Lift Roller
-	0017-00103-0338	2	Hardware: Hex Nut 8 MM
-	0017-00104-0164	2	Hardware: Washer 0.75" OD

PCB, Battery, Reed Switch And Bracket



Ref #	Part Number	Qty	Description
-	0017-00003-0685	1	6V Battery
-	0017-00101-1797	2	Hardware: Mounting Screw 16 MM
-	0017-00101-1838	1	Hardware: Mounting Screw 19 MM
-	0K62-01233-0000	1	PCB Reed Switch Battery Bracket
-	118E-00001-0140	1	Reed Switch SPDT
-	0017-00101-1794	2	Hardware: Screw 10MM
-	0017-00042-0821	4	Hardware: Plastic Grommet
-	B084-92218-0000	1	PCB Circuit Board

Rocker Arms And Pedal Levers



Ref #	Part Number	Qty	Description
-	GK62-00002-0070	2	Rocker Arm Kit
-	M0K61-01259-0000	2	Shaft Collar with screws
-	AK58-00245-0000	1	Bug Medallion
-	0017-00104-0418	2	Hardware: Flat Washer 1.75" OD
-	AK62-00236-0000	1	Right Pedal Lever Assembly
-	AK62-00235-0000	1	Left Pedal Lever Assembly
-	0017-00100-0178	2	Hardware: Retaining Ring 1.25"

Upper Frame Hardware

Ref #	Part Number	Qty	Description
-	0017-00101-1854	1	Hardware: Bullhorn Cover Screw 44MM
-	0017-00101-1876	4	Hardware: M 8X1.25-6G6GX 22 DIN TRX FLT CS ST BZ B
-	0K62-01022-0202	1	Accessory Tray
-	0017-00101-1791	12	Hardware: TORX Screw 19 MM
-	0017-00101-1846	2	Hardware: Phillips Pan Screw 10 MM
-	0017-00101-1796	10	Hardware: Mounting Screw 19 MM

