

Silver EMEA Cross Trainer Base CRC

CLSXH-ALLCRC-0105

Parts Manual

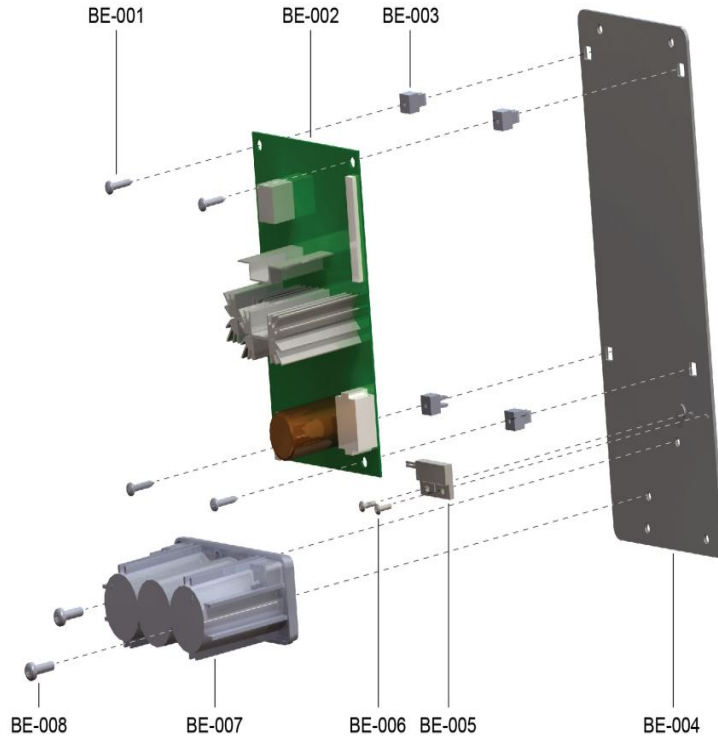
1/5/2019 12:59:30 PM

Table of Contents

Base Electronics	3
Console Assembly	4
Drive System - Bearing Insert Assembly	6
Drive System - Crank Arm Pulley Assembly	7
Drive System - Drive Module	8
Drive System - Pedal Lever Assembly Components	10
Drive System - Rocker Arm and Pedal Levers	12
Lower Frame System - Crank Cover and Lower Caps	13
Lower Frame System - Lower Frame Shrouds and Hardware	14
Lower Frame System - Rocker Cover Assembly	15
Miscellaneous	16
Upper Frame System - Console Support and Deadshaft Covers	17
Upper Frame System - Handlebars and Bullhorns	18
Upper Frame System - Upper Frame Hardware	19
Wiring	20

Base Electronics

Base Electronics (BE)

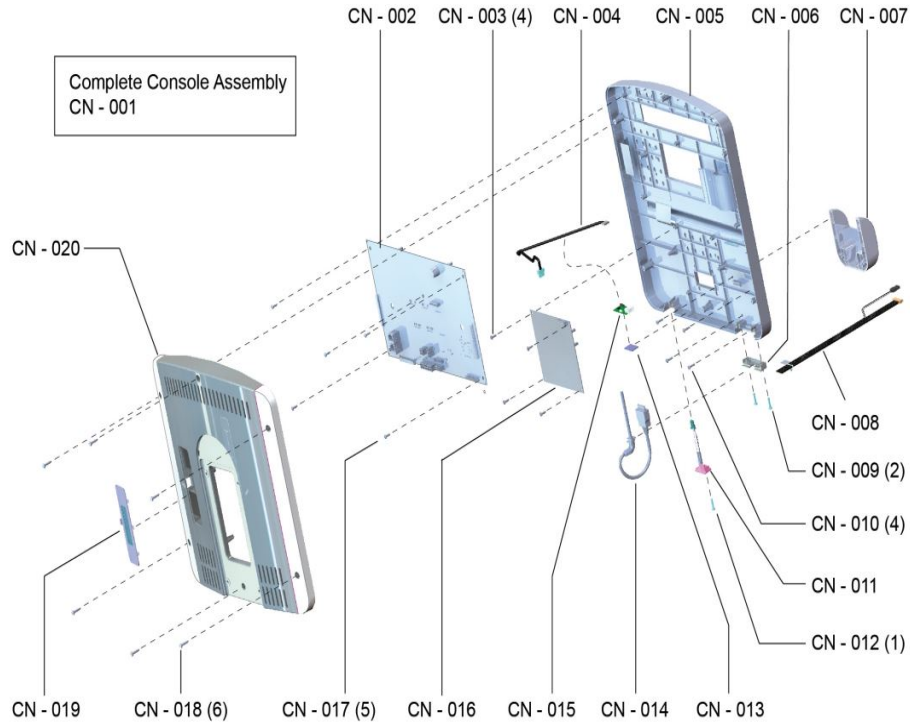


Ref #	Part Number	Qty	Description
BE-001	0017-00101-1838	4	Hardware: Mounting Screw 19 MM
BE-002	B084-92218-0000	1	PCB Circuit Board
BE-003	0017-00042-0821	4	Hardware: Plastic Grommet
BE-004	0K62-01233-0000	1	PCB Reed Switch Battery Bracket
BE-005	118E-00001-0140	1	Reed Switch SPDT
BE-006	0017-00101-1794	2	Hardware: Screw 10MM
BE-007	0017-00003-0685	1	6V Battery
BE-008	0017-00101-1797	2	Hardware: Mounting Screw 16 MM

Console Assembly

Console Assembly (CN)

Exploded View

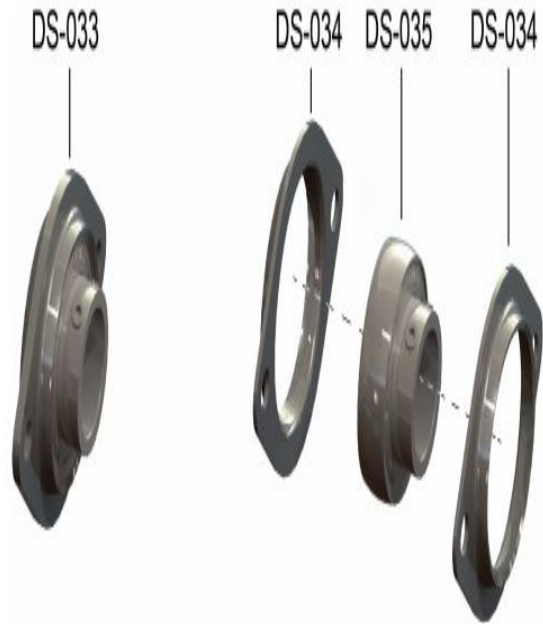


Ref #	Part Number	Qty	Description
CN-001	CLEDXH-DUTMXC-05N	1	NC EMEA Cross Trainer Console Dut/Met Connect
CN-001	CLEDXH-ITLMXC-05N	1	NC EMEA Cross Trainer Console Itl/Met Connect
CN-001	CLEDXH-SPNMXC-05N	1	NC EMEA Cross Trainer Console Spn/Met Connect
CN-001	CLEDXH-RUSMXC-05N	1	NC EMEA Cross Trainer Console Rus/Met Connect
CN-001	CLEDXH-FRNMXC-05N	1	NC EMEA Cross Trainer Console Frn/Met Connect
CN-001	CLEDXH-GERMXC-05N	1	NC EMEA Cross Trainer Console Ger/Met Connect
CN-001	CLEDXH-ENGMXC-05N	1	NC EMEA Cross Trainer Console Eng/Met Connect
CN-002	A084-92367-0001	1	NC PROGRAMMED PCB NON-TREADMILL CONSOLE P/N LF92367-01BRC
CN-003,CN-017	0017-00101-1650	9	Hardware: Phillips Pan Screw 0.375"
CN-004	AK69-00157-0000	1	Polar Cable
CN-005	GK86-00002-0027	1	CSS KIT ASSEMBLY
CN-005	GK86-00002-0026	1	CSS KIT ASSEMBLY
CN-005	GK86-00002-0025	1	CSS KIT ASSEMBLY

Ref #	Part Number	Qty	Description
CN-005	GK86-00002-0024	1	KIT: OVERLAY: BEZEL SWITCH; INTEGRITY; CLSX ENG
CN-006	0K86-01045-0200	1	PLASTIC: USB ACCESS DOOR
CN-007	0K86-01003-0200	1	iPod Holder
CN-008	AK86-00003-0000	1	iPod Console Cable: Non-Tread
CN-009,CN-012	0017-00101-1811	3	Hardware: Phillips Pan Screw 0.625"
CN-010	3223501	4	Hardware: Holder Mounting Screw
CN-011	AK86-00025-0201	1	Headphone Jack
CN-013	0K39-01044-0001	1	Double-sided Tape
CN-014	AK86-00090-0000	1	CABLE ASSY: FEMALE USB CABLE RECEPTICAL
CN-015	118E-00001-0244	1	Heart Rate Receiver
CN-016	B084-92368-0000	1	Lower PCB
CN-018	0017-00101-1242	6	Hardware: Phillips Pan Screw 0.75"
CN-019	0K62-01026-0202	1	Battery Door
CN-020	AK86-00024-0201	1	Console Case Assembly

Drive System - Bearing Insert Assembly

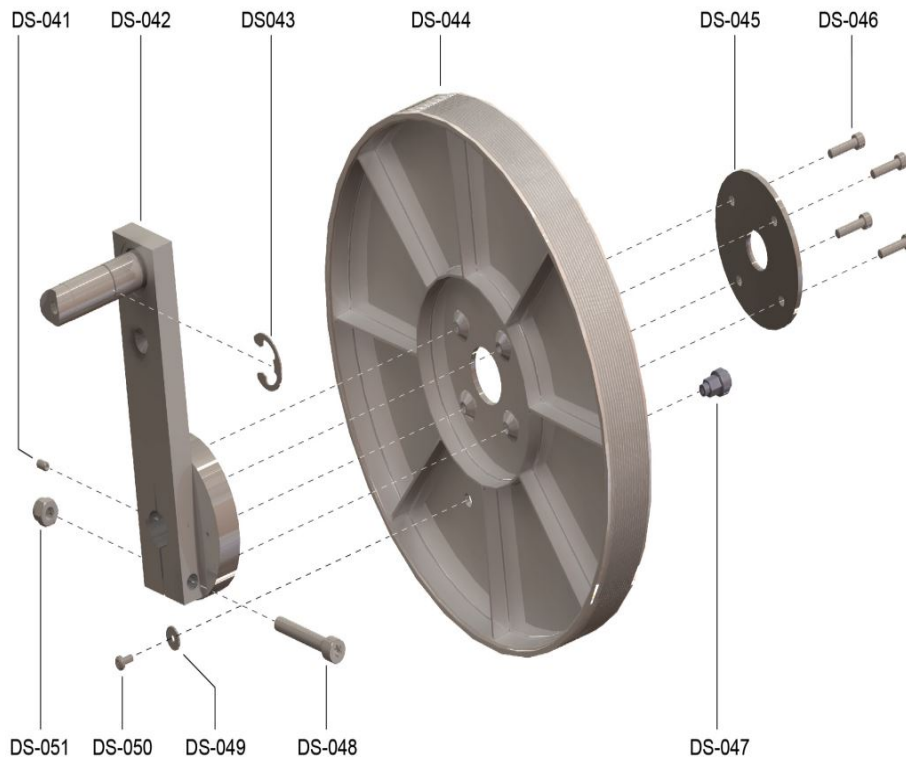
Bearing-Insert Assembly



Ref #	Part Number	Qty	Description
DS-033	AK62-00299-0000	2	Bearing Insert Assembly
DS-034	0K62-01220-0000	2	Bearing Flange
DS-035	0K62-01221-0000	2	1" Bearing
DS-036	GK62-00002-0044	2	Crankshaft Bearing Kit
DS-037	GK62-00002-0045	2	Intermediate Shaft Bearing Kit

Drive System - Crank Arm Pulley Assembly

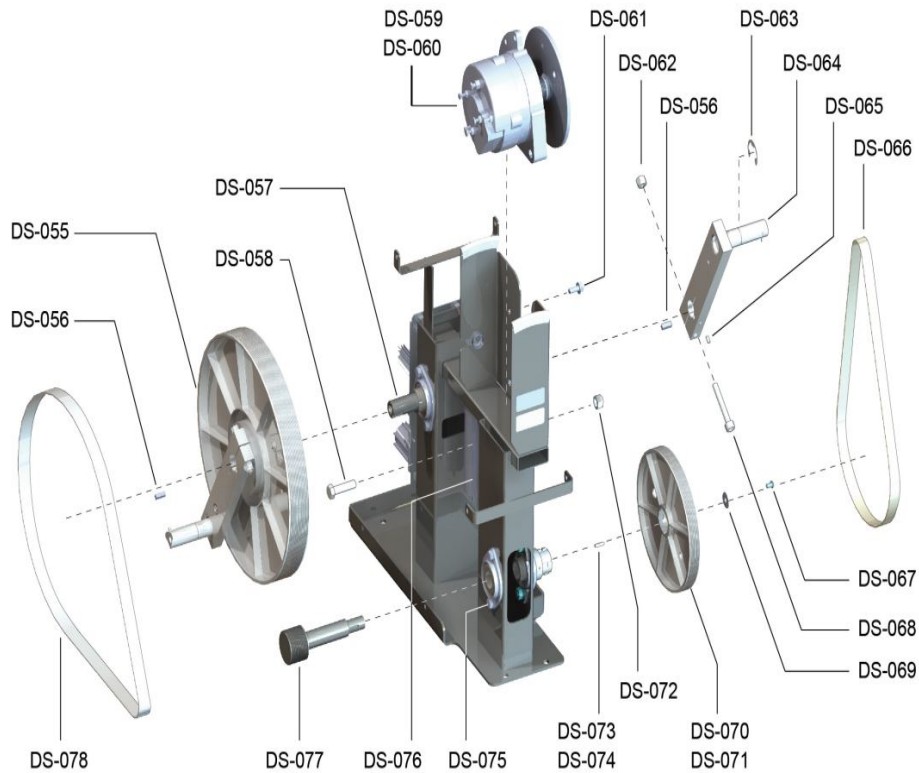
Crank Arm Pulley Assembly



Ref #	Part Number	Qty	Description
DS-041	0017-00101-1823	1	Hardware: 10-32X 8 HXS FLT CS ST BZ B
DS-042	MAK62-00205-0000	1	Left Crank Arm Weld Assembly
DS-043	0017-00100-0107	1	Hardware: E-Ring 1"
DS-044	0K61-02409-0000	1	Poly-V Crank Pulley
DS-045	M0K61-02302-0001	1	Crankshaft Plate
DS-046	0017-00101-1834	4	Hardware: Screw 24MM
DS-047	AK62-00186-0000	1	Magnet-Standoff Assembly
DS-048	0017-00101-1860	1	Hardware: Crankarm Bolt 65MM
DS-049	0017-00104-0144	1	Hardware: Washer 0.625" OD
DS-050	0017-00101-1835	1	Hardware: Screw 10MM
DS-051	0017-00103-0334	1	Hardware: Nut 10 MM

Drive System - Drive Module

Drive Module



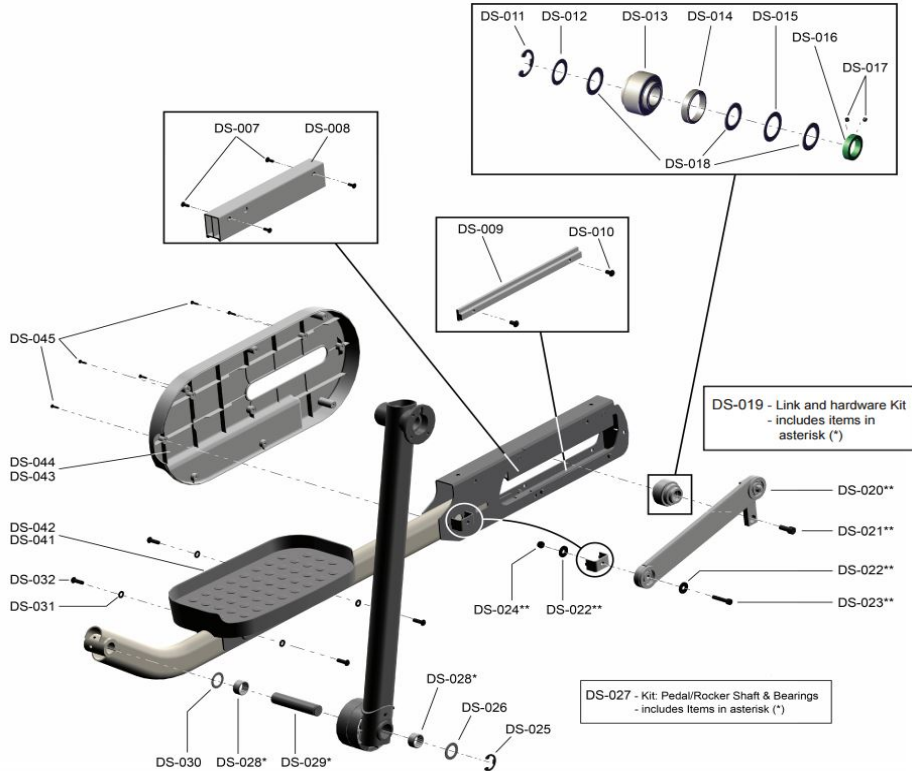
Ref #	Part Number	Qty	Description
DS-056	M0K53-01122-0000	1	Machine Key
DS-057	M0K62-01222-0001	1	Crankshaft
DS-058	0017-00101-1867	1	Hardware: Mounting Bolt 45 MM
DS-059	AK61-00250-0001	1	Alternator w/Flywheel
DS-060	0017-00009-0895	1	Alternator Brush Kit
DS-061	0017-00101-0986	1	Hardware: Bolt 0.75"
DS-062	0017-00103-0334	2	Hardware: Nut 10 MM
DS-063	0017-00100-0107	2	Hardware: E-Ring 1"
DS-064	MAK62-00204-0000	2	Right Crank Arm Weld Assembly
DS-065	0017-00101-1823	2	Hardware: 10-32X 8 HXS FLT CS ST BZ B
DS-066	0K62-01134-0000	1	Flexonic Belt
DS-067	0017-00101-1836	1	Hardware: Screw 10 MM
DS-068	0017-00101-1860	2	Hardware: Crankarm Bolt 65MM
DS-069	0017-00104-0465	1	Hardware: Flat Washer 23MM OD
DS-070	0K35-01186-0007	1	Poly-V Pulley
DS-071	0017-00101-2015	1	Hardware: Pulley Set Screw 15 MM
DS-072	0017-00103-0332	1	Hardware: Mounting Nut
DS-073	0K53-01183-0000	1	Hex key
DS-074	0017-00101-1866	1	Hardware: Bearing-Insert mounting screw
DS-075	0017-00103-0341	2	Hardware: Hex Nut 8 MM
DS-076	AK62-00260-0000	1	Resistor Assembly
DS-077	M0K62-01223-0000	1	Intermediate Shaft

Ref #	Part Number	Qty	Description
DS-078	0K62-01135-0000	1	Drive Belt

Drive System - Pedal Lever Assembly Components

Pedal Lever Assembly Components

Exploded View



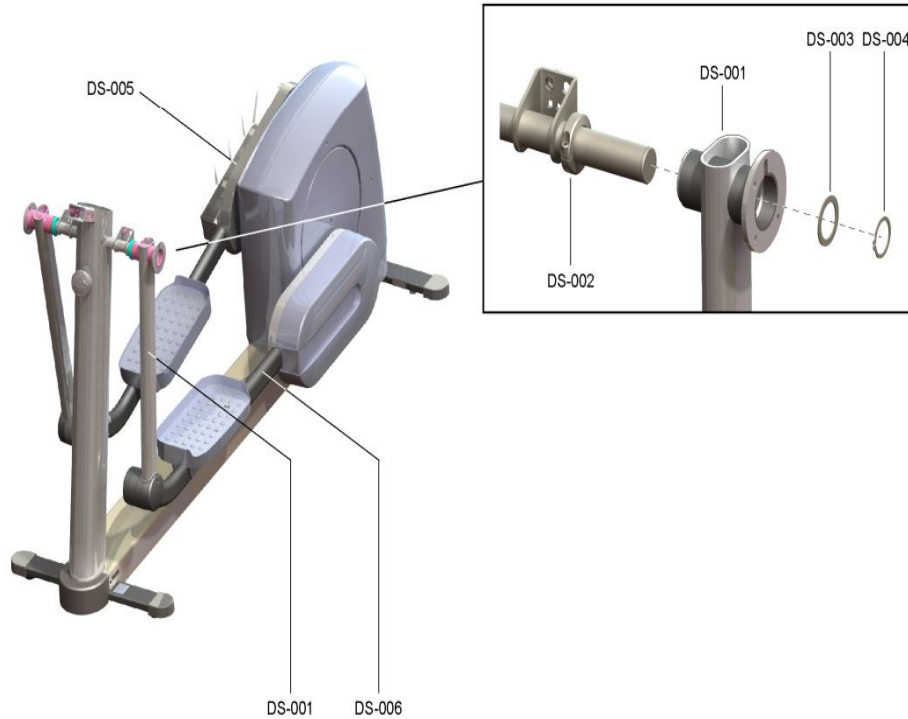
Ref #	Part Number	Qty	Description
DS-007	M0017-00101-1789	4	Hardware: Screw
DS-008	AK62-00197-0000	2	Roller Extrusion
DS-009	0K62-01208-0000	2	Anti-Lift Track
DS-010	0017-00101-1836	4	Hardware: Screw 10 MM
DS-011,DS-025	0017-00100-0107	4	Hardware: E-Ring 1"
DS-012,DS-030	0K47-01105-0000	4	Hardware: Hardened Thrust Washer
DS-013	AK62-00196-0001	2	Roller with Bearing
DS-014	M0K62-01191-0000	2	Anti-Lift Roller
DS-015	0017-00104-0474	2	Hardware: Washer
DS-016	M0K62-01065-0000	2	Shaft Collar
DS-017	0017-00101-1803	4	Hardware: Setscrew
DS-018,DS-026	0K47-01104-0000	8	Hardware: Thrust Washer
DS-019,DS-020	GK62-00002-0071	4	Control Link Kit
DS-027	GK62-00002-0001	2	Pedal/Rocker Shaft and Bearings
DS-031	0017-00104-0469	8	Hardware: Flat Washer 16MM OD
DS-032	0017-00101-1806	8	Hardware: Crank Extension Mounting Bolt

Ref #	Part Number	Qty	Description
DS-041	M0K62-01005-0201	1	PEDAL: LT; -02XX SHDW
DS-042	M0K62-01006-0201	1	PEDAL: RT -02XX SHDW
DS-043	0K62-01015-0201	1	COVER: PEDAL; INSIDE;RT -02XX SHDW
DS-044	0K62-01016-0201	1	COVER: PEDAL; INSIDE;LT;-02XX SHDW
DS-045	0017-00101-1796	10	Hardware: Mounting Screw 19 MM

Drive System - Rocker Arm and Pedal Levers

Rocker Arm and Pedal Levers

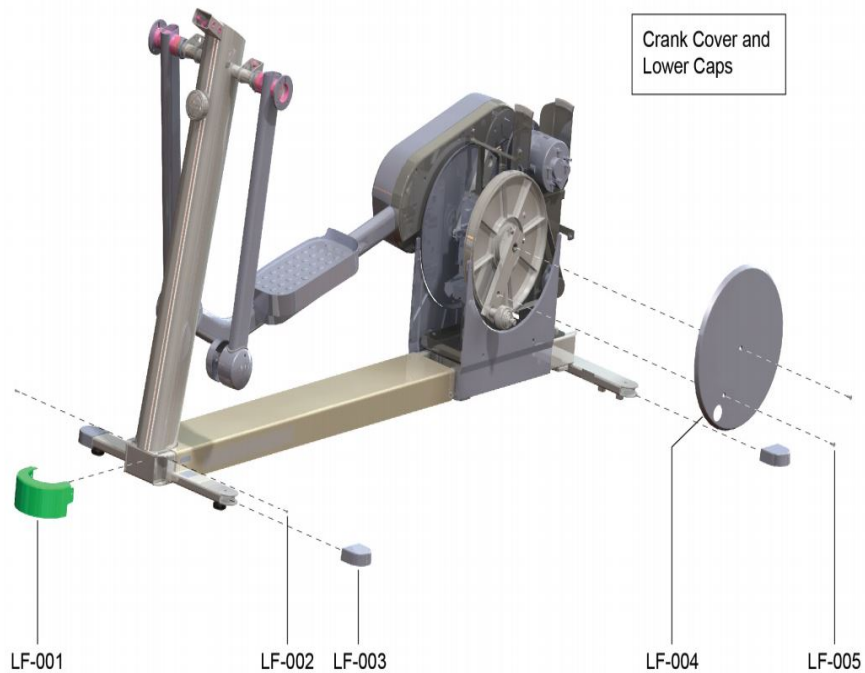
Exploded View



Ref #	Part Number	Qty	Description
DS-001	MAK62-00064-5203	2	ROCKER-ARM ASSY: PAINT -52XX SHDW
DS-002	M0K61-01259-0000	2	Shaft Collar with screws
DS-003	0017-00104-0418	2	Hardware: Flat Washer 1.75" OD
DS-004	0017-00100-0178	2	Hardware: Retaining Ring 1.25"
DS-005	MAK62-00025-5204	1	PEDAL-LVR ASSY: PAINT;RT -52XX SHDW
DS-006	MAK62-00024-5204	1	PEDAL-LVR ASSY: PAINT;LT -52XX SHDW

Lower Frame System - Crank Cover and Lower Caps

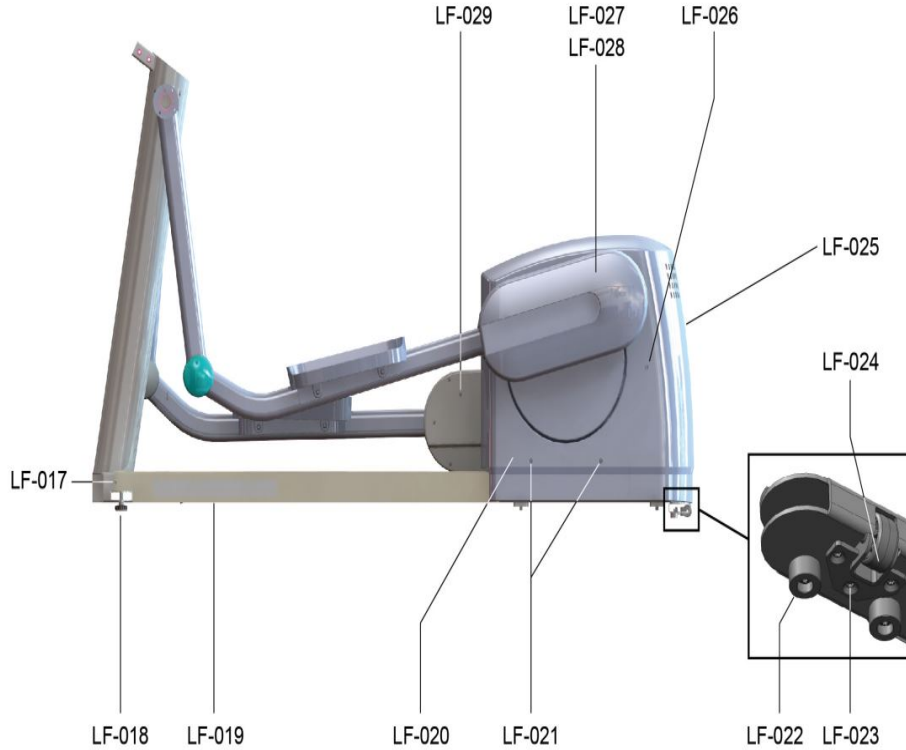
Crank Cover and Lower Caps



Ref #	Part Number	Qty	Description
LF-001	0K62-01004-0203	1	CAP: FRONT FRAME; SHDW-02XX
LF-002	0017-00101-1795	2	Hardware: Mounting Screw
LF-003	0K68-01130-0200	4	CAP; STABILIZER; SHADOW GREY
LF-004	0K61-03100-5104	2	Crank Cover
LF-005	0017-00101-1837	4	Hardware: Screw 18MM

Lower Frame System - Lower Frame Shrouds and Hardware

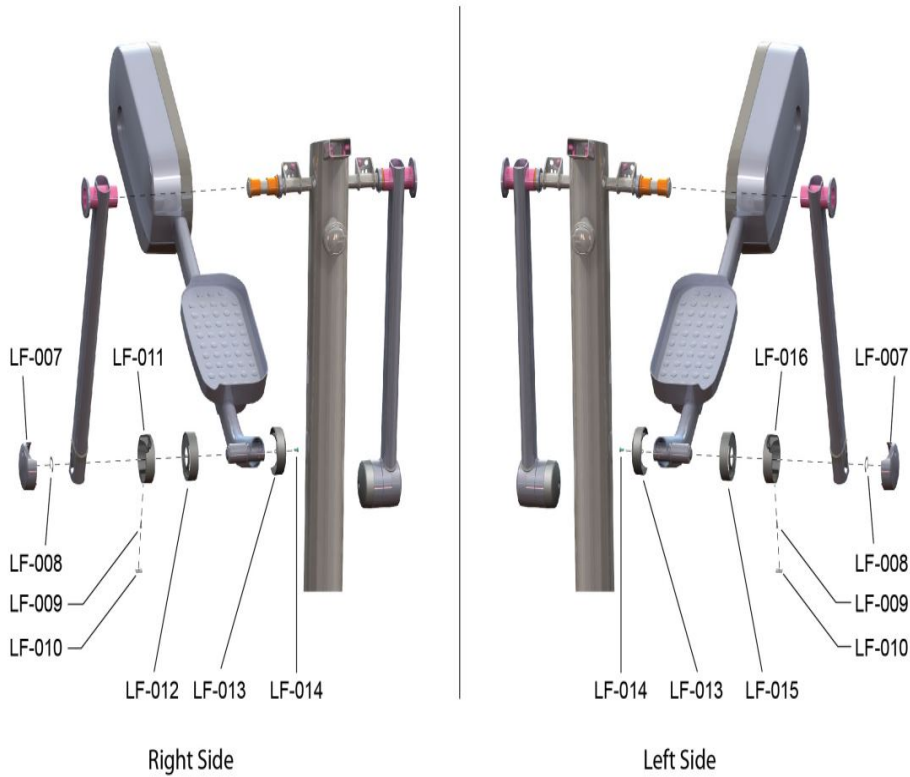
Lower Frame Shrouds and Hardware



Ref #	Part Number	Qty	Description
LF-017,LF-021	0017-00101-1795	14	Hardware: Mounting Screw
LF-018	AK62-00124-0000	2	Leg Leveler
LF-019	M0K62-01120-5104	1	COVER: LADDER-FRAME; PAINTED; TOP -51XX ARCTIC
LF-020	0K62-01002-0204	1	PANEL: SHROUD; -02XX SHDW
LF-022	0K62-01121-0000	4	Pad: Foot B
LF-023	M0017-00101-1789	6	Hardware: Screw
LF-024	AK62-00102-0002	2	WHEEL-BRKT ASSY: MFG.
LF-025	AK62-00223-0201	1	Shroud-Assembly: Rear; Shadow-02XX
LF-026,LF-029	0017-00101-1796	16	Hardware: Mounting Screw 19 MM
LF-027	AK62-00391-0002	1	LINK COVER: W/DECAL; INT CT; LT
LF-027	AK62-00391-0001	1	Link Cover: with Decal; Integrity Cross-Trainer; L
LF-028	AK62-00390-0002	1	LINK COVER: W/DECAL; INT CT; RT
LF-028	AK62-00390-0001	1	Link Cover: with Decal; Integrity Cross-Trainer; R

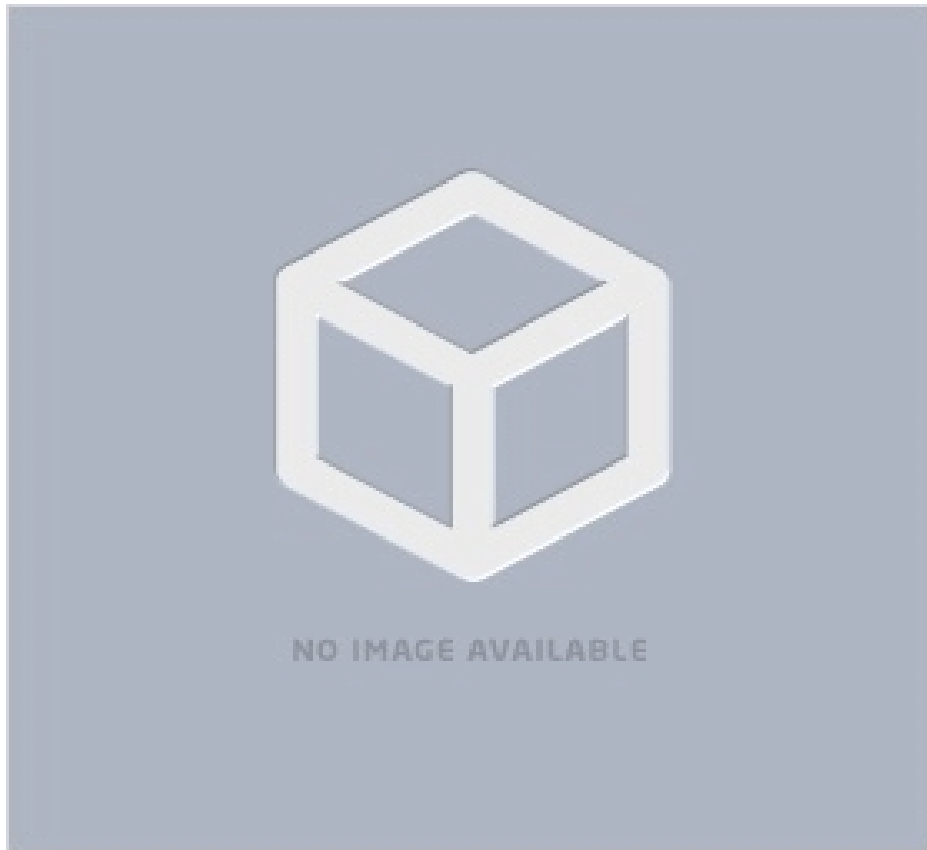
Lower Frame System - Rocker Cover Assembly

Rocker Cover Assembly



Ref #	Part Number	Qty	Description
LF-006	AK62-00188-0002	2	Cover-Assembly: Mfg; Rocker with Clip
LF-008	0017-00100-0107	2	Hardware: E-Ring 1"
LF-011	0K62-01037-0201	1	COVER: ROCKER; OUTSIDE; RT. SHDW-02XX
LF-012	0K62-01039-0201	1	COVER: ROCKER; INSIDE; RT. SHDW-02XX
LF-013	0K62-01035-0201	2	Cover: Lever Joint; Inside Shadow-02XX
LF-014	0017-00101-1836	2	Hardware: Screw 10 MM
LF-015	0K62-01040-0201	1	COVER: ROCKER; INSIDE; LT. SHDW-02XX
LF-016	0K62-01038-0201	1	COVER: ROCKER; OUTSIDE; LT. SHDW-02XX

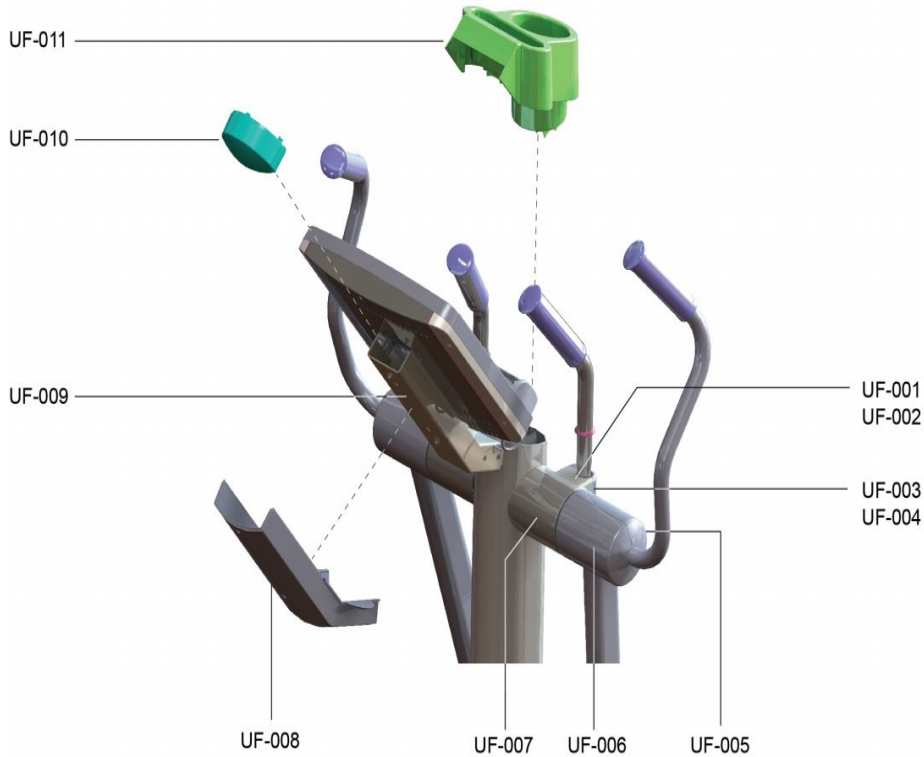
Miscellaneous



Ref #	Part Number	Qty	Description
MISC-001	0017-00008-0204	1	Paint Spray Can - Arctic Silver
MISC-002	0017-00008-0205	1	5 oz Bottle - Arctic Silver
MISC-003	0017-00008-0206	1	.33oz Pen - Arctic Silver
MISC-004	GK62-00002-0018	1	Plug in Option 120/60
MISC-005	GK62-00002-0019	1	Kit: Serv; Plug-In; 240/50 U.K BM
MISC-006	GK62-00002-0020	1	Plug in Option 240v AUS
MISC-007	GK62-00002-0021	1	Plug in Option 230/50
MISC-008	AK62-00210-0000	1	Power-Cable with Bracket Assembly
MISC-009	AK32-00020-0002	1	Coax Cable: 120"
MISC-010	AK32-00078-0001	1	Power Extension Cable: 120"
MISC-011	0K62-01179-0001	1	Bracket: Access Panel; Plug-in
MISC-012	0017-00021-2846	1	F-Type Panel Connector
MISC-013	0017-00042-0754	1	Hardware: Grommet

Upper Frame System - Console Support and Deadshaft Covers

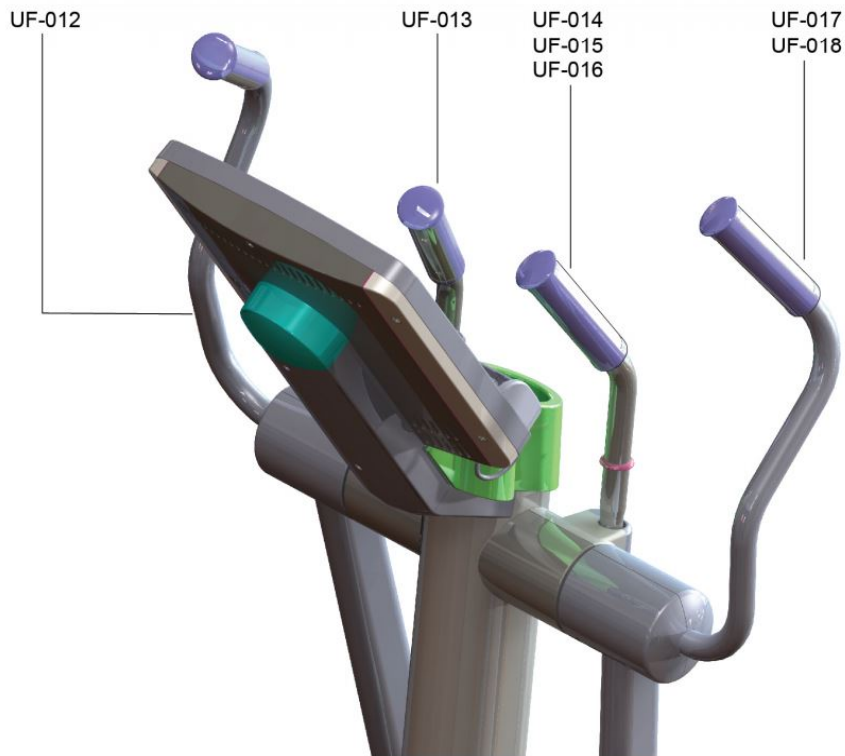
Console Support and Deadshaft Covers



Ref #	Part Number	Qty	Description
UF-001	M0K62-01011-0201	1	Cover: Deadshaft; Inside; Left Shadow-02XX
UF-002	M0K62-01010-0201	1	Cover, Dead Shaft; Right; Inside Shadow-02XX
UF-003	M0K62-01008-0202	1	Cover: Deadshaft; Bullhorn; Left Shadow-02XX
UF-004	M0K62-01007-0202	1	Cover: Deadshaft; Bullhorn; Right Shadow-02XX
UF-005	M0K62-01013-0201	2	COVER: DEADSHAFT; REAR; OUT SHDW-02XX
UF-006	M0K62-01012-0201	2	COVER: DEADSHAFT; FRONT; SHDW-02XX
UF-007	0K62-01009-0201	2	Inside Deadshaft Cover: Front
UF-008	0K62-01023-0402	1	Console Support Cover
UF-009	MAK62-00123-0101	1	CONS-SPRT W/INSERTS ASY: MFG. -01XX ARCTIC
UF-010	0K62-01030-0202	1	Console Support Cap
UF-011	0K62-01022-0202	1	Accessory Tray

Upper Frame System - Handlebars and Bullhorns

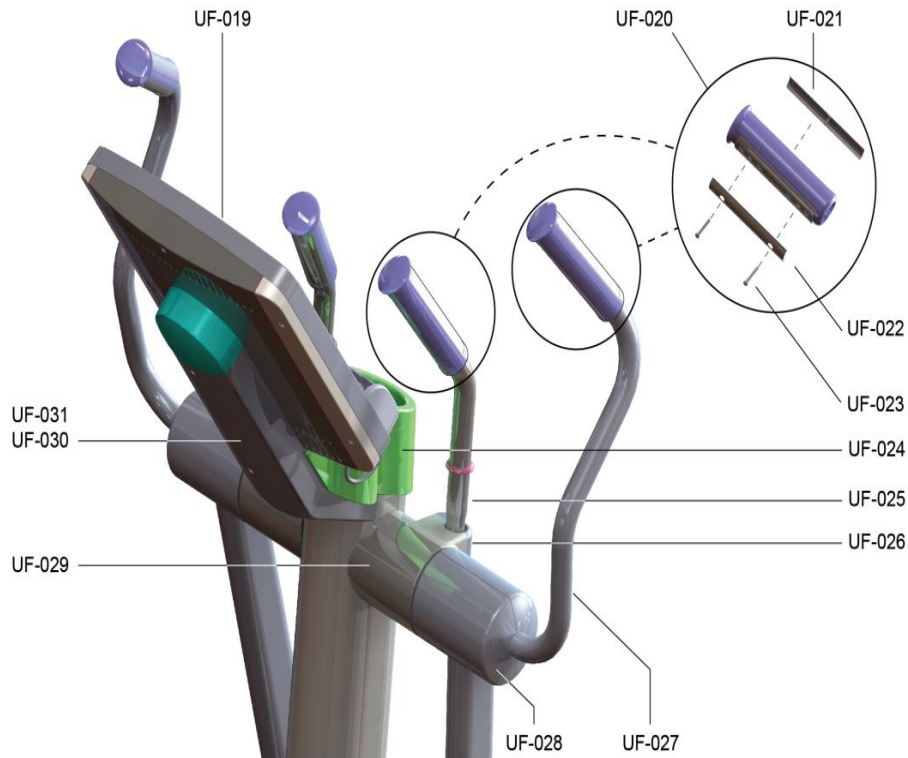
Handlebars and Bullhorns



Ref #	Part Number	Qty	Description
UF-012	MAK62-00128-5203	1	H-BAR: PAINT; ARM; PURCH; RT SHDW-52XX
UF-013	MAK62-00362-5102	1	HANDLEBAR-ASSY: PAINT; BULLHORN W/HR; RT; -51XX ARCTIC
UF-014	MAK62-00363-5102	1	HANDLEBAR-ASSY: PAINT; BULLHORN W/HR; LT; -51XX ARCTIC
UF-015	AK47-00029-0000	2	Lifepulse Cable
UF-016	MOK62-01199-0203	2	Deadshaft Cover Gasket
UF-017	MAK62-00129-5203	1	H-BAR: PAINT; ARM; PURCH; LT SHDW-52XX
UF-018	AK61-00051-0001	2	Lifepulse: User-Arm

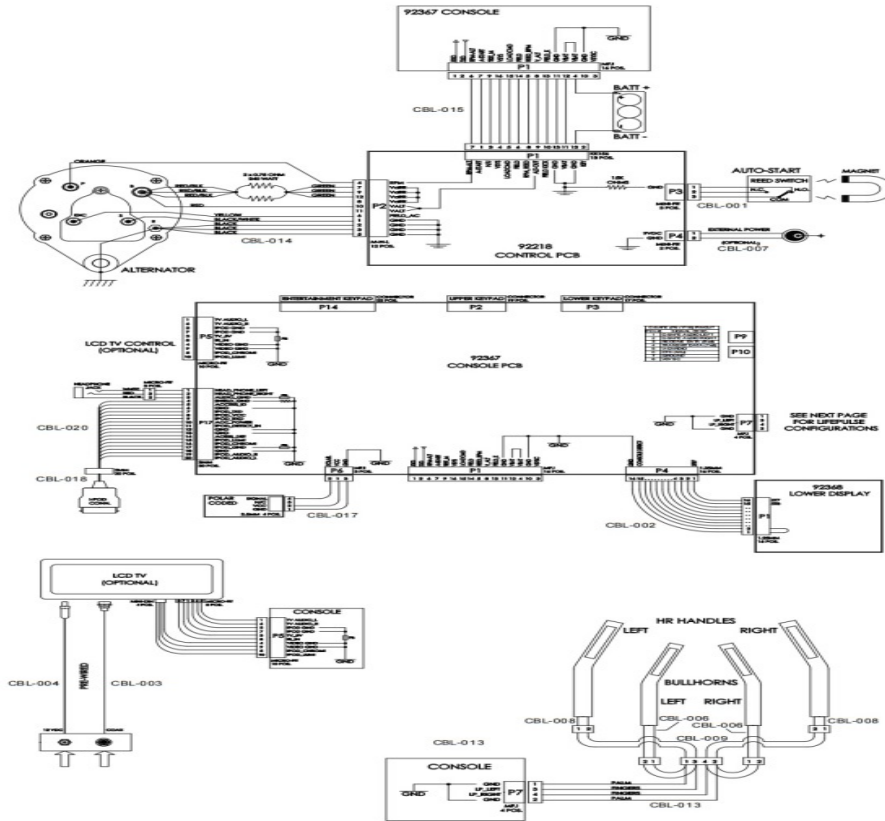
Upper Frame System - Upper Frame Hardware

Upper Frame Hardware



Ref #	Part Number	Qty	Description
UF-019,UF-028,UF-029,UF-030	0017-00101-1796	17	Hardware: Mounting Screw 19 MM
UF-021	AK60-00079-0203	4	Top Electrode
UF-022	AK60-00080-0203	4	Bottom Electrode
UF-023	0017-00101-1462	8	Hardware: Electrode Screw 1"
UF-024	0017-00101-1846	2	Hardware: Phillips Pan Screw 10 MM
UF-025	0017-00101-2041	4	Hardware: Bullhorn Mounting Screw
UF-026	0017-00101-1854	4	Hardware: Bullhorn Cover Screw 44MM
UF-027	0017-00101-2040	6	Hardware: Handlebar Mounting Screw
UF-031	0017-00101-1791	6	Hardware: TORX Screw 19 MM

Wiring



Ref #	Part Number	Qty	Description
CBL-001	118E-00001-0140	1	Reed Switch SPDT
CBL-002	118E-00001-0266	1	FFC 16 Pin 1.25mm 7 in. Cable
CBL-003	AK32-00020-0002	1	Coax Cable: 120"
CBL-004	AK32-00078-0001	1	Power Extension Cable: 120"
CBL-005	AK32-00124-0002	1	Headphone Jack Cable - 3.5 mm
CBL-006	AK47-00029-0000	2	Lifepulse Cable
CBL-007	AK47-00063-0001	1	DC Power Cable
CBL-008	AK61-00051-0001	2	Lifepulse: User-Arm
CBL-009	AK61-00052-0002	1	Lifepulse Sensor Cable
CBL-014	AK62-00092-0000	1	Power Control Cable
CBL-015	AK62-00093-0000	1	Main Cable
CBL-016	AK62-00375-0000	1	Dual HR Cable
CBL-017	AK69-00157-0000	1	Polar Cable
CBL-018	AK86-00087-0200	1	OVERMOLDED IPOD CABLE; NON TREAD; INTEGRITY take from REP depot
CBL-019	AK86-00002-0000	1	TV Control: Non-Tread
CBL-020	AK86-00003-0000	1	iPod Console Cable: Non-Tread

