

Cybex R Series Upright Bike Base Platinum Sparkle

CRCE-ALLXX-1111

Parts Manual

1/5/2019 13:02:21 PM



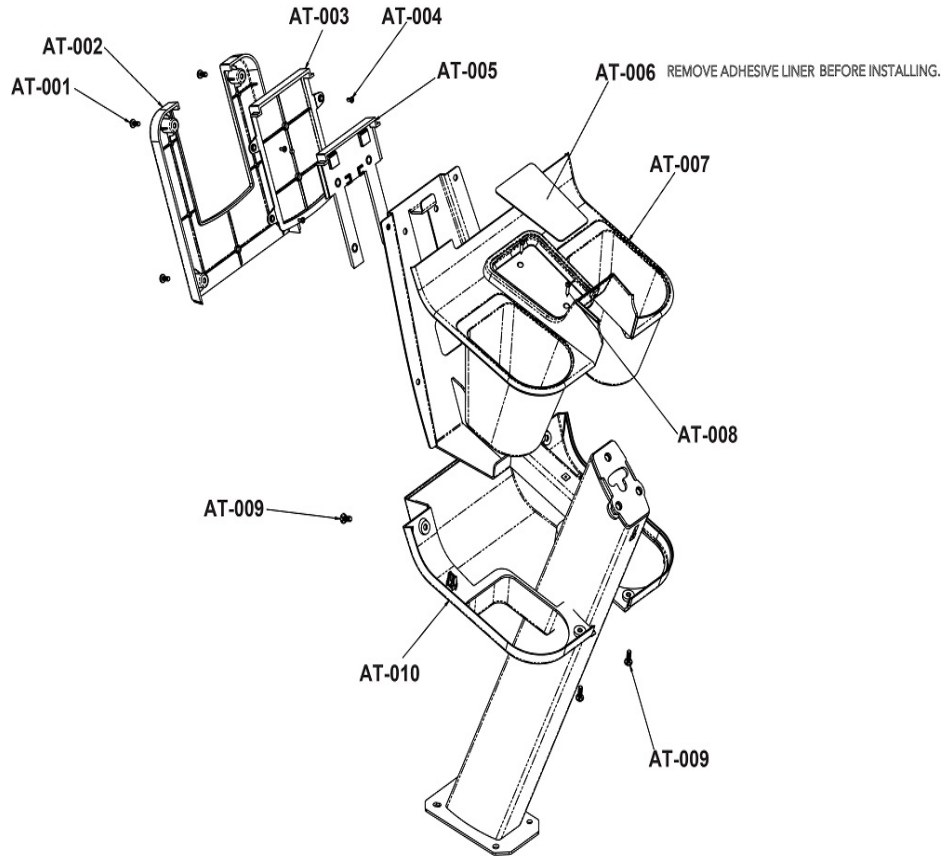


**CRCE-ALLXX-1111 - CYBEX R SERIES
UPRIGHT BIKE BASE PLATINUM
SPARKLE**

Table of Contents

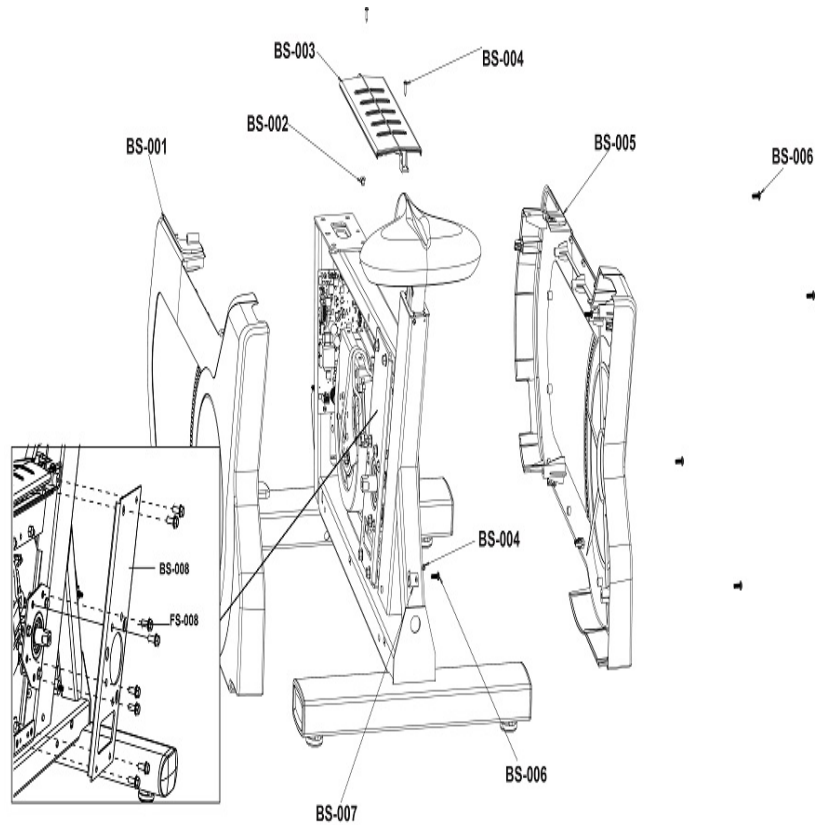
Accessory Trays and Console Covers.....	3
Base Shrouds.....	4
Battery and Communication Port.....	5
Drivetrain.....	6
Handle Bars.....	7
Leg Levelers, Front Rollers , PCB Resistance Control.....	8
Monocolumn, Crank Arms, Pedals.....	9
Seat and Seat Post.....	10
Wiring Diagram - 70T Console.....	11

Accessory Trays and Console Covers



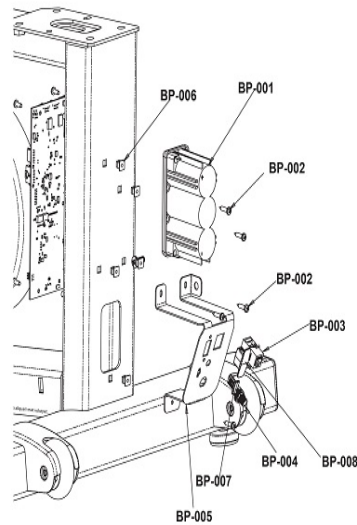
Ref #	Part Number	Qty	Description
AT-001	0017-00101-1940	5	Hardware: Screw 14MM
AT-002	1005385-0000	1	SHROUD: CONSOLE, BACK, UPRIGHT
AT-003	1006075-0000	1	SHROUD, CONSOLE BACK CENTER
AT-004	0017-00101-1650	4	Hardware: Phillips Pan Screw 0.375"
AT-005	1006233-0000	1	SHROUD: CONSOLE BACK TOP ATT TV
AT-006	1006019-0001	1	PAD: UPRIGHT TRAY
AT-007	1005383-0001	1	SHROUD ASSY: TOP, ACCESSORY TRAY
AT-008	0017-00101-1796	2	Hardware: Mounting Screw 19 MM
AT-009	0017-00101-2138	4	SCREW: M6 X 1.0 X 16, DIN, PHL, PAN, MS, ST, ZB
AT-010	1005384-0001	1	SHROUD ASSY: BOTTOM, ACCESSORY TRAY

Base Shrouds



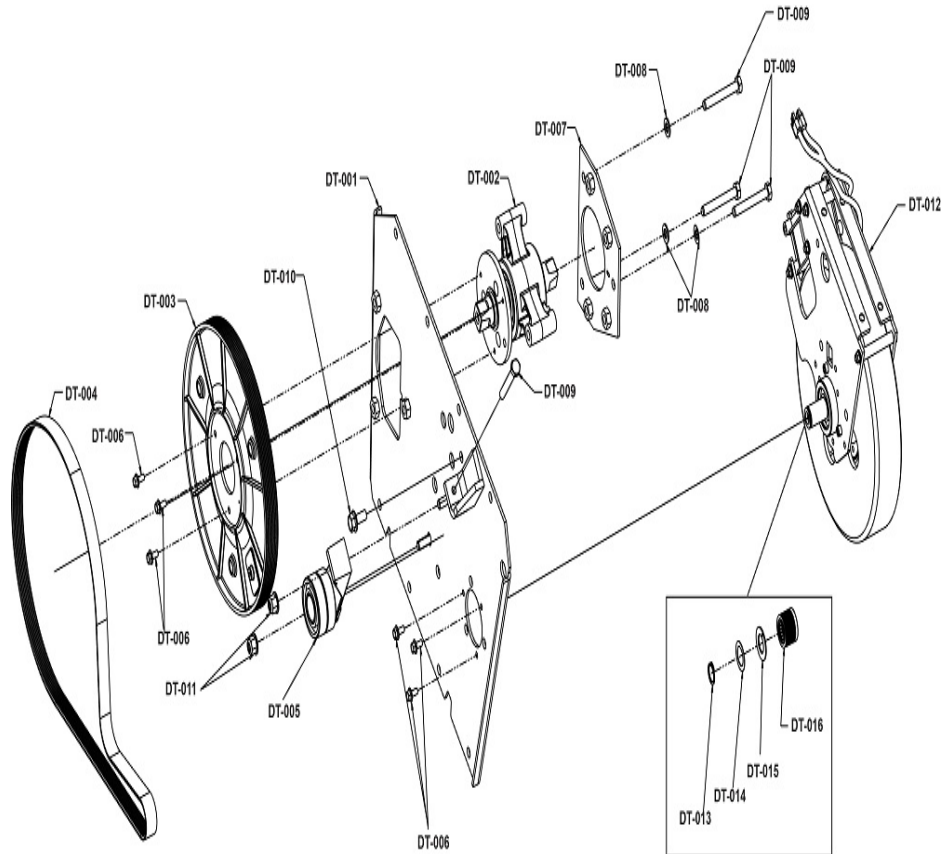
Ref #	Part Number	Qty	Description
BS-001	1004764-0000	1	SHROUD ASSY: MAIN, LEFT, UPRIGHT
BS-002	0017-00042-1147	2	Hardware: Nylon Grommet
BS-003	1004768-0000	1	SHROUD: MAIN, COVER
BS-004	0017-00101-1796	3	Hardware: Mounting Screw 19 MM
BS-005	1004765-0000	1	SHROUD ASSY: MAIN, RIGHT, UPRIGHT
BS-006	0017-00101-2138	5	SCREW: M6 X 1.0 X 16, DIN, PHL, PAN, MS, ST, ZB
BS-007	1002971-0001	1	BRACKET: SHROUD CLIP
BS-008	1001547-0001	1	SHEET METAL: HUB SUPPORT
BS-009	0017-00101-2150	1	SCREW: M8 X 1.25 6G6H X 20, UHS, HXW, CS, ST, ZB

Battery and Communication Port



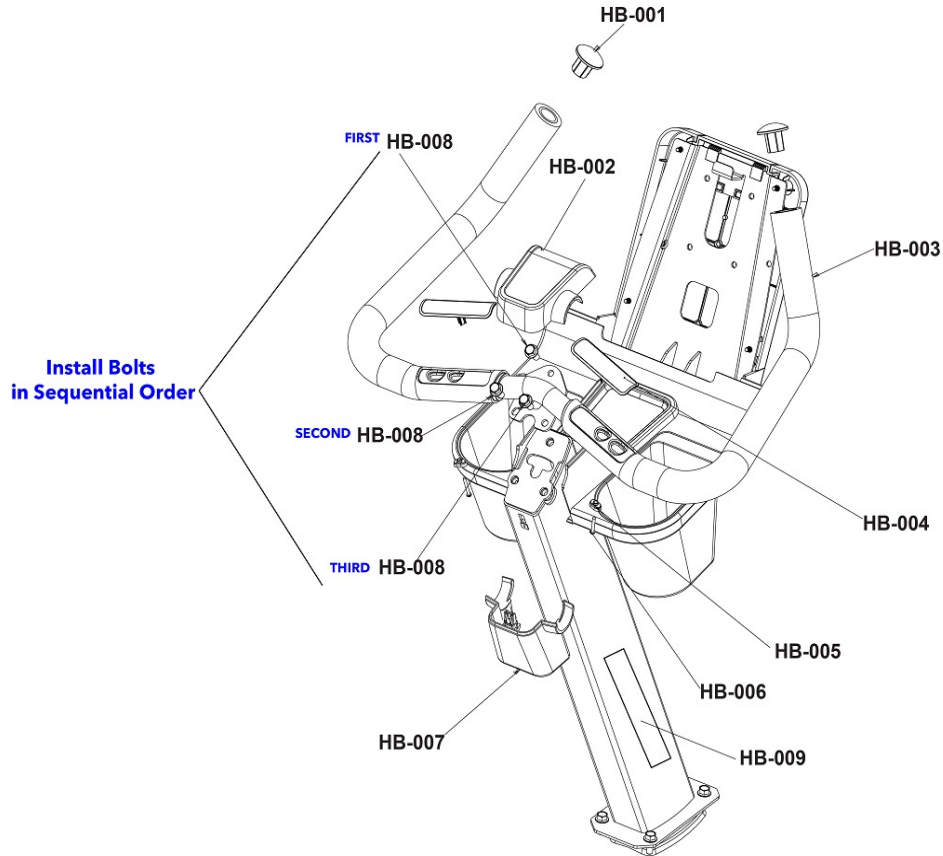
Ref #	Part Number	Qty	Description
BP-001	0017-00003-0685	1	6V Battery
BP-002	0017-00101-1796	5	Hardware: Mounting Screw 19 MM
BP-003	0017-00021-3195	1	COUPLER: CAT5E, SHIELDED, RJ45
BP-004	0017-00021-2846	1	F-Type Panel Connector
BP-005	1004260-0001	1	BRACKET: COM PORT
BP-006	0017-00042-1147	5	Hardware: Nylon Grommet
BP-007	1005470-0700	1	PLUG: IR PORT, BLACK
BP-008	1005393-0700	1	PLUG: HDMI, BLACK

Drivetrain



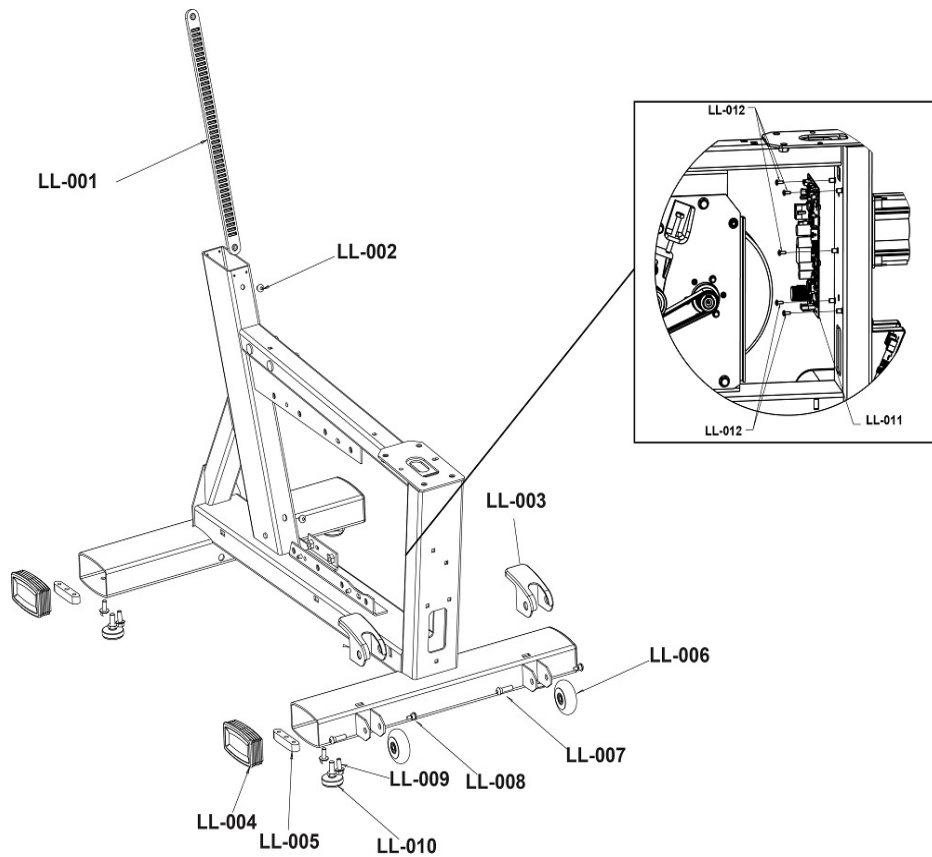
Ref #	Part Number	Qty	Description
DT-001	1000711-0001	1	WELDMNT: DRIVETRAIN PLATE
DT-002	AK66-00151-0000	1	HUB ASSY: CRANKSHAFT, UNIPLATE
DT-003	0K76-01068-0000	1	Pulley
DT-004	1000716-0001	1	BELT: POLY-V, 430 J8
DT-005	1001619-0001	1	ASSEMBLY: IDLER
DT-006	0017-00101-2151	6	SCREW: M5 X 0.8 6G6G X 12, FLANGE, HEAD, CS, G5, CD
DT-007	1000714-0001	1	WELDMNT: ADAPTER, HUB
DT-008	0017-00104-0469	3	Hardware: Flat Washer 16MM OD
DT-009	0017-00101-2002	4	Hardware: Tension Bolt 60MM
DT-010	0017-00101-2150	1	SCREW: M8 X 1.25 6G6H X 20, UHS, HXW, CS, ST, ZB
DT-011	1003388-0001	2	NUT: M8 X 1.25-6H, DIN, UNF, HEX, LOCKNUT
DT-012	1003381-0001	1	GENERATOR: BRAKE W/EXT. CLUTCH
DT-013	0017-00100-0257	1	Retaining Ring
DT-014	0017-00104-0498	1	Hardware: Shaft Washer Small .734' OD
DT-015	0K66-01237-0000	1	Hardware: Shaft Washer Large
DT-016	AK66-00165-0000	1	NC: PULLEY ASSY: W/CLUTCH, UNIPLATE, ISO/DIN

Handle Bars



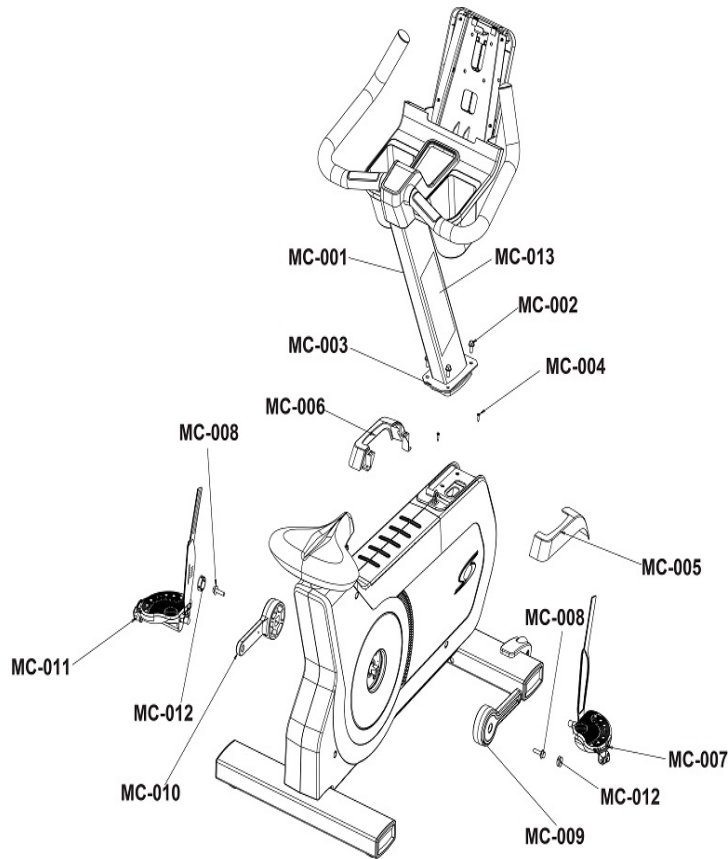
Ref #	Part Number	Qty	Description
HB-001	0K63-01114-0000	2	Cap
HB-002	1005386-0001	1	SHROUD: TOP, HANDLEBAR COVER
HB-003	1001562-0700	1	HANDLEBAR: UPRIGHT, SIMPLE, BLACK
HB-004	AK63-00014-2404	2	ELECTRODE: INSERT MOLDED; CHGR
HB-005	0K66-01141-0001	1	PLUG: INSULATOR, BLACK
HB-006	0017-00101-1720	2	Hardware: Mounting Screw 1"
HB-007	1005387-0001	1	SHROUD ASSY: REAR, HANDLEBAR COVER
HB-008	0017-00101-2150	3	SCREW: M8 X 1.25 6G6H X 20, UHS, HXW, CS, ST, ZB
HB-009	1004594-0002	2	LABEL: CYBEX LOGO, BIKES, CHARCOAL

Leg Levelers, Front Rollers , PCB Resistance Control



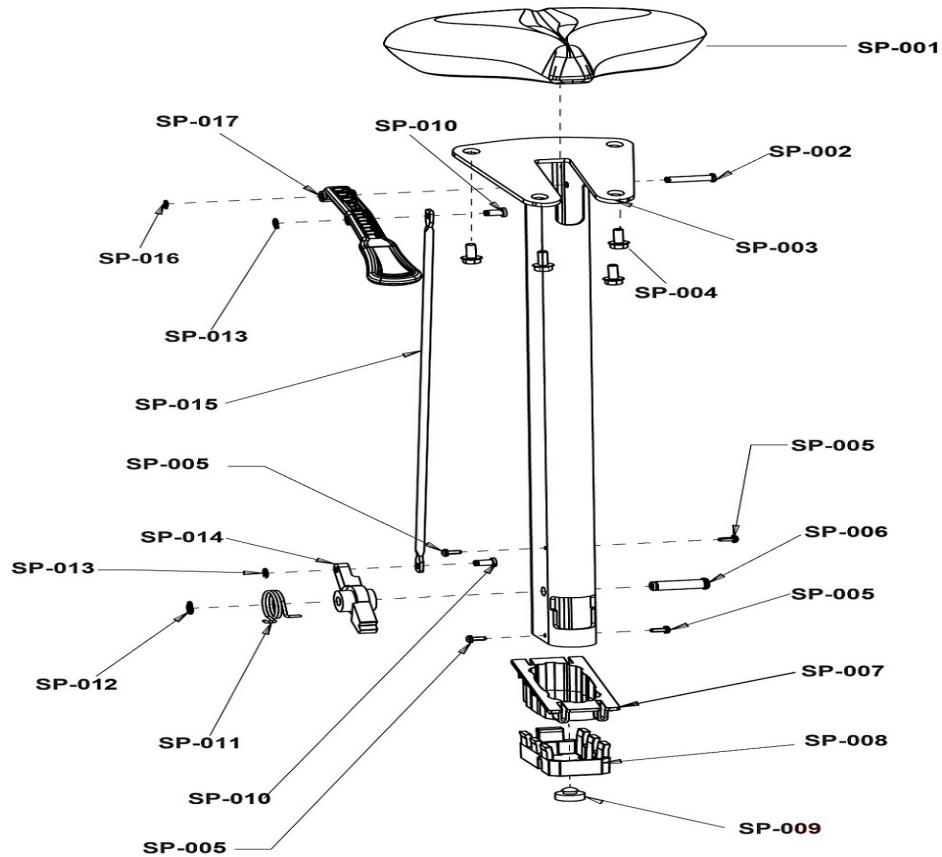
Ref #	Part Number	Qty	Description
LL-001	0K77-01033-0700	1	Latch Rack
LL-002	0017-00101-2087	2	SCREW: M8 X 1.25 6G6G X 10, HXS, BUT, CS, ST, ZB
LL-003	1006347-0001	2	ASSEMBLY: WHEEL COVER
LL-004	1005369-0001	4	ENDCAP: FRONT, STABILIZIER
LL-005	1006304-0001	4	BLOCK: LEVELER, CURVED
LL-006	1005421-0000	2	ASSEMBLY: FRONT ROLLER
LL-007	1001628-0001	2	NUT: SHAFT, BARREL, 8MM DIA, 30MM LONG
LL-008	1001038-0001	2	SCREW: M6 X 1.0, SHOULDER
LL-009	0017-00101-2150	4	SCREW: M8 X 1.25 6G6H X 20, UHS, HXW, CS, ST, ZB
LL-010	AK62-00124-0000	4	Leg Leveler
LL-011	1003117-0011	1	PCB ASSEMBLY: RESISTANCE CONTROL
LL-012	0017-00101-1989	5	Hardware: M4 6G6G X 10 DIN PHI PAN ZN

Monocolumn, Crank Arms, Pedals



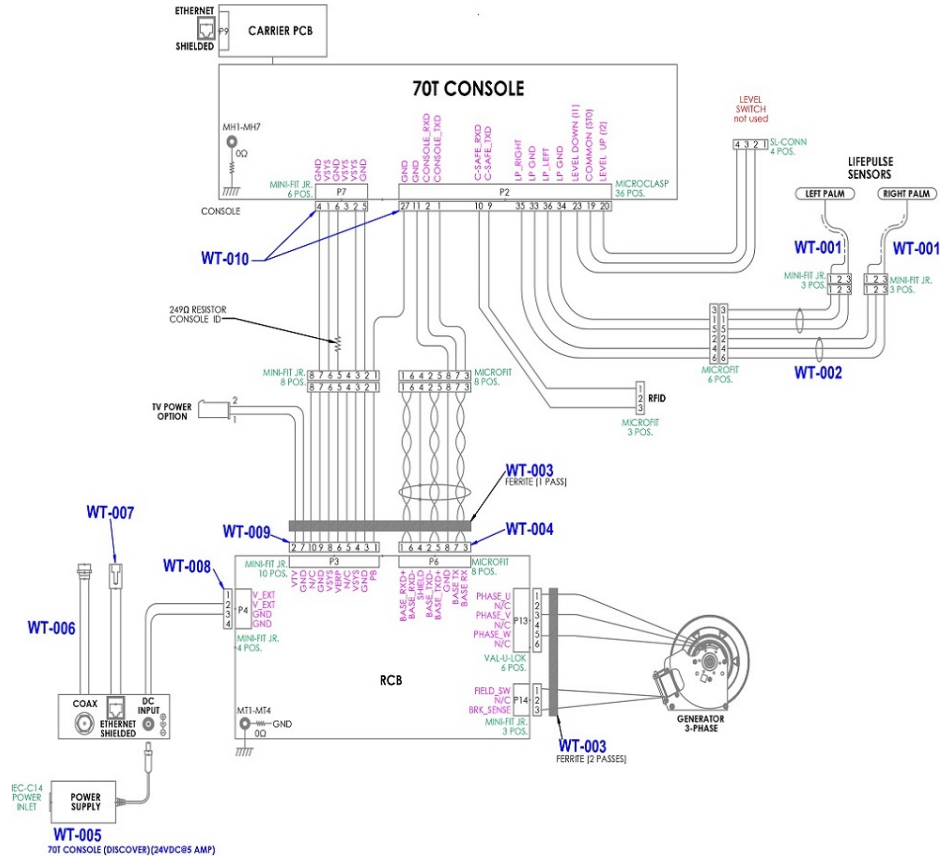
Ref #	Part Number	Qty	Description
MC-001	1004140-1111	1	WELDMNT, MONOCOLUMN, SHELBY UPRIGHT
MC-002	0017-00101-2150	4	SCREW: M8 X 1.25 6G6H X 20, UHS, HXW, CS, ST, ZB
MC-003	1006201-0000	1	GASKET: MONOCOLUMN, UPRIGHT
MC-004	0017-00101-1796	2	Hardware: Mounting Screw 19 MM
MC-005	1004767-0000	1	SHROUD ASSY: MONOCOLUMN, RIGHT, UPRIGHT
MC-006	1004766-0000	1	SHROUD: MONOCOLUMN, LEFT, UPRIGHT
MC-007	1006921-0001	1	ASSEMBLY: PEDAL, LIFECYCLE, RIGHT
MC-008	0017-00101-2077	2	Hardware: Screw 30MM
MC-009	1004562-0001	1	CRANK ARM: RIGHT
MC-010	1004561-0001	1	CRANK ARM: LEFT
MC-011	1006920-0001	1	ASSEMBLY: PEDAL, LIFECYCLE, LEFT
MC-012	0K66-01121-2400	1	CAP: CRANK, CHARCOAL GRAY
MC-013	1004594-0002	1	LABEL: CYBEX LOGO, BIKES, CHARCOAL

Seat and Seat Post



Ref #	Part Number	Qty	Description
SP-001	1004863-0001	1	SEAT: UPRIGHT
SP-002	1001557-0001	1	PIN: PIVOT, HANDLE
SP-003	1001553-0001	1	WELDMNT: SEAT POST, BLACK
SP-004	0017-00101-2150	4	SCREW: M8 X 1.25 6G6H X 20, UHS, HXW, CS, ST, ZB
SP-005	0017-00101-1968	4	Hardware: Ground Screws 10MM
SP-006	1001558-0001	1	PIN: PIVOT, LATCH
SP-007	1001555-0001	1	BUSHING: SEAT POST, UPPER
SP-008	1001556-0001	1	BUSHING: SEAT POST, LOWER
SP-009	0K77-01066-0000	1	BUMPER: EPDM
SP-010	0K77-01028-0000	2	Hardware: Pivot Pin
SP-011	0K77-01032-0000	1	Latch Spring
SP-012	0017-00100-0253	1	Retaining Ring
SP-013	0017-00100-0250	2	E Ring
SP-014	0K77-01031-0000	1	Latch
SP-015	0K77-01027-0000	1	Adjustment Rod
SP-016	1001646-0001	1	RING: RETAINING, 6MM, EXTERNAL
SP-017	1005305-0002	1	HANDLE: UPRIGHT, SEAT ADJUSTMENT, 6 SERIES

Wiring Diagram - 70T Console



Ref #	Part Number	Qty	Description
WT-001	1004560-0001	1	CABLE: LIFEPULSE ELECTRODES
WT-002	1003838-0003	1	CABLE: LIFEPULSE TO ELECTRODE - UPRIGHT BIKE
WT-003	121E-00001-0023	1	FERRITE: SUPPRESSION, CORE-CASE
WT-004	1002239-0006	1	CABLE: CONSOLE TO BASE, SIGNAL, 1377MM
WT-005	1004808-0001	1	POWER SUPPLY: 100-240VAC TO 24VDC, 5A, 2.5MM PLUG
WT-006	AK65-00062-0000	1	Cable: Coax RG6 Base
WT-007	AK70-00092-0004	1	CABLE ASSY: CAT5E, V2, 63.5 INCH
WT-008	1003521-0001	1	CABLE: POWER, RCB TO PANEL, 5A, UPRIGHT BIKE
WT-009	1002258-0005	1	CABLE: CONSOLE TO BASE, POWER, 1613MM
WT-010	1006763-0001	1	CABLE: DISCOVER TO HERCULES ADAPTOR, UPRIGHT BIKE

