

# Cybex R Series Recumbent Base Platinum Sparkle

CRRE-ALLXX-1111

## Parts Manual

1/5/2019 13:03:48 PM

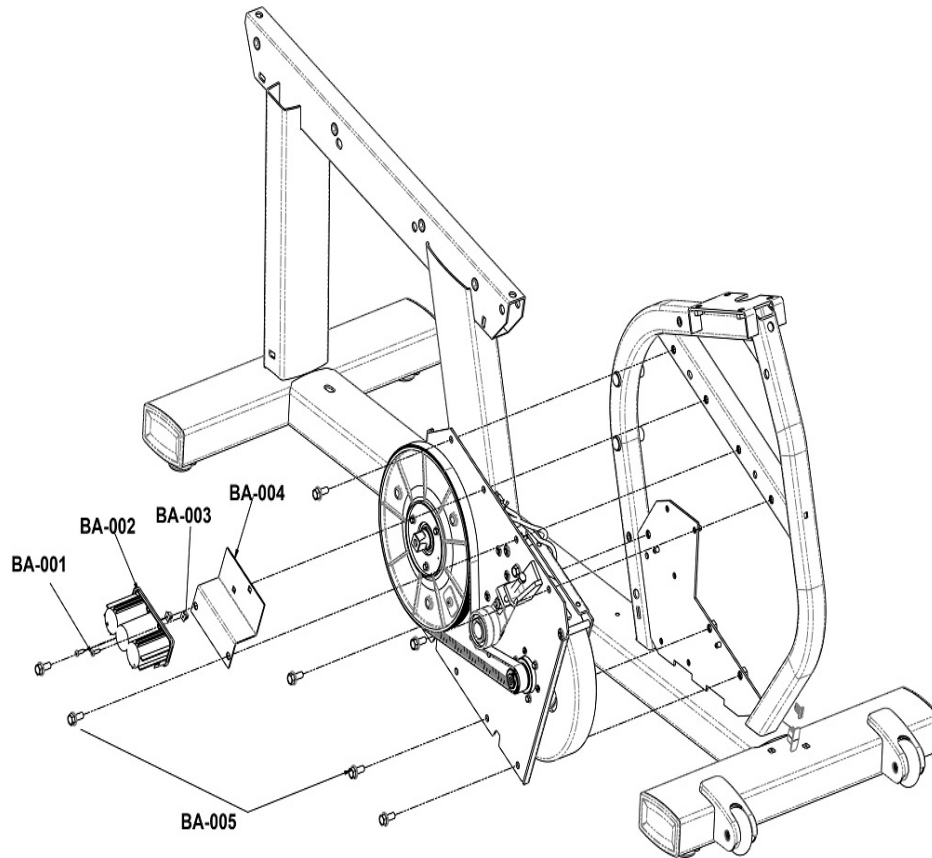


**Table of Contents**

---

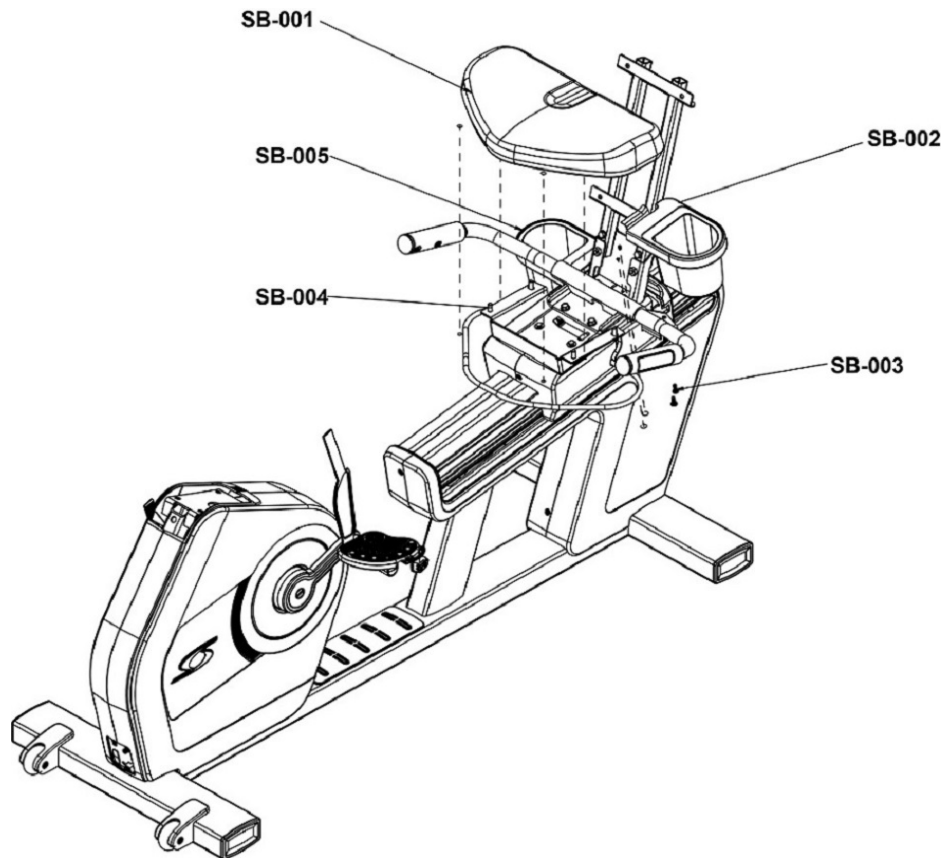
<a href="#">Battery</a> .....	3
<a href="#">Bottom Seat Pad &amp; Cup Holders</a> .....	4
<a href="#">Communications Port, Plug &amp; PCB Assembly</a> .....	5
<a href="#">Drive Train</a> .....	6
<a href="#">Front Roller &amp; Leg Levelers</a> .....	7
<a href="#">Handlebars &amp; Seat Mount Weldments</a> .....	8
<a href="#">Lift Assembly</a> .....	9
<a href="#">Main Shroud &amp; Crank Arms</a> .....	10
<a href="#">Monocolumn &amp; Console Back</a> .....	11
<a href="#">Roller &amp; Seat Carriage</a> .....	12
<a href="#">Seat Carriage &amp; Seat Rail Shrouds</a> .....	13
<a href="#">Seat Pad</a> .....	14
<a href="#">Seat Rail</a> .....	15
<a href="#">Wiring Diagram - 70T Console</a> .....	16

## Battery



Ref #	Part Number	Qty	Description
BA-001	0017-00101-1796	2	Hardware: Mounting Screw 19 MM
BA-002	0017-00003-0685	1	6V Battery
BA-003	0017-00042-1147	2	Hardware: Nylon Grommet
BA-004	1006429-0001	1	BRACKET: BATTERY
BA-005	0017-00101-2150	2	SCREW: M8 X 1.25 6G6H X 20, UHS, HXW, CS, ST, ZB

## Bottom Seat Pad & Cup Holders



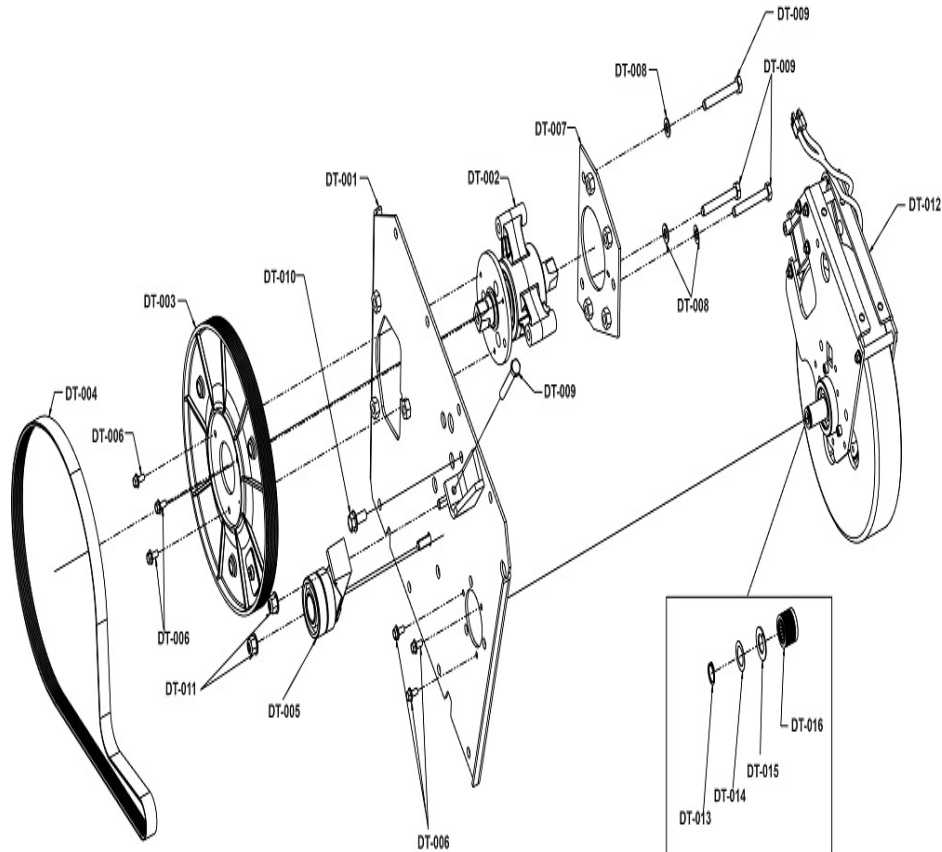
Ref #	Part Number	Qty	Description
SB-001	1004980-0000	1	PAD: SEAT BOTTOM, RECUMBENT
SB-002	1005625-0001	1	SHROUD ASSY: CUP HOLDER, LEFT
SB-003	0017-00101-2138	4	SCREW: M6 X 1.0 X 16, DIN, PHL, PAN, MS, ST, ZB
SB-004	0017-00101-2150	4	SCREW: M8 X 1.25 6G6H X 20, UHS, HXW, CS, ST, ZB
SB-005	1005628-0001	1	SHROUD ASSY: CUP HOLDER, RIGHT

## Communications Port, Plug & PCB Assembly

---

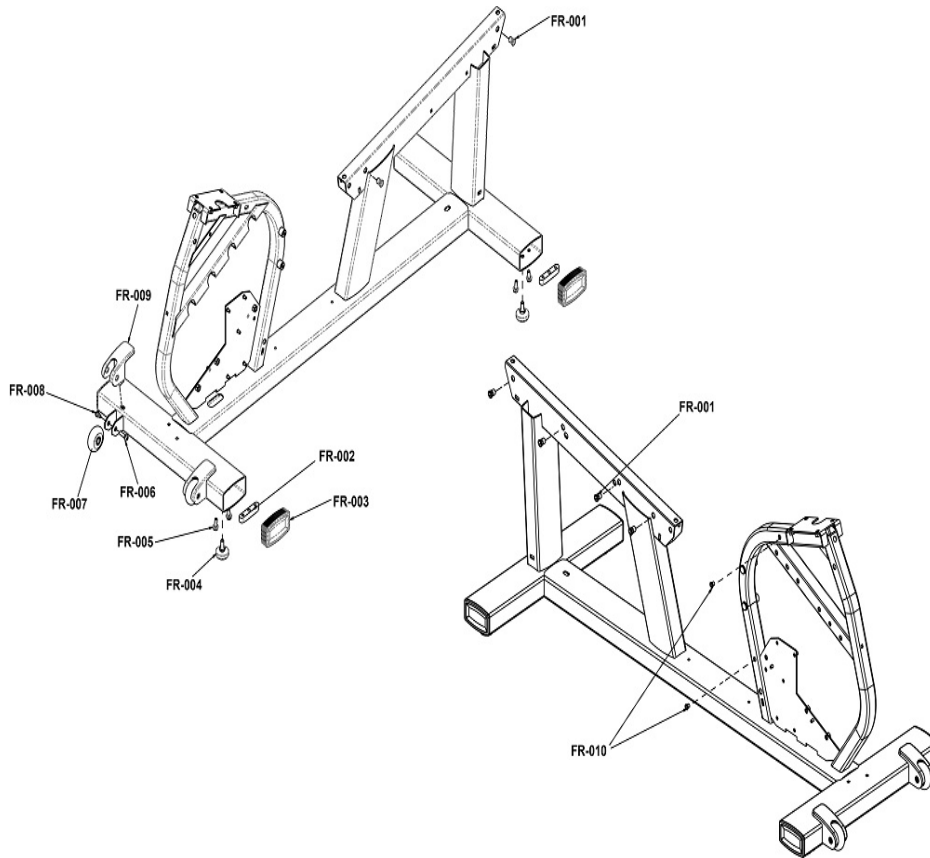
Ref #	Part Number	Qty	Description
CP-001	1000699-0001	1	BRACKET: HUB BACKING
CP-002	0017-00101-2150	6	SCREW: M8 X 1.25 6G6H X 20, UHS, HXW, CS, ST, ZB
CP-003	0017-00101-1989	5	Hardware: M4 6G6G X 10 DIN PHI PAN ZN
CP-004	1003117-0011	1	PCB ASSEMBLY: RESISTANCE CONTROL
CP-005	0017-00021-3195	1	COUPLER: CAT5E, SHIELDED, RJ45
CP-006	1005393-0700	1	PLUG: HDMI, BLACK
CP-007	0017-00021-2846	1	F-Type Panel Connector
CP-008	1005470-0700	1	PLUG: IR PORT, BLACK
CP-009	1008428-0001	1	BRACKET: COMM PORT, RECUMBENT BIKE
CP-010	0017-00042-1147	2	Hardware: Nylon Grommet
CP-011	0017-00101-1796	2	Hardware: Mounting Screw 19 MM

## Drive Train



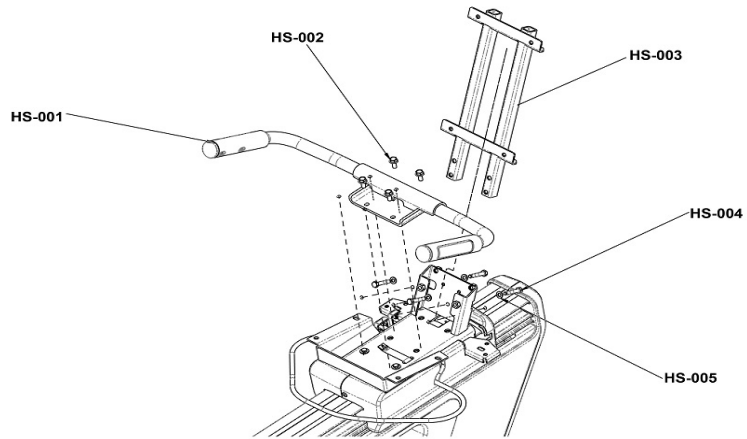
Ref #	Part Number	Qty	Description
DT-001	1000711-0001	1	WELDMENT: DRIVETRAIN PLATE
DT-002	AK66-00151-0000	1	HUB ASSY: CRANKSHAFT, UNIPLATE
DT-003	0K76-01068-0000	1	Pulley
DT-004	1000716-0001	1	BELT: POLY-V, 430 J8
DT-005	1001619-0001	1	ASSEMBLY: IDLER
DT-006	0017-00101-2151	6	SCREW: M5 X 0.8 6G6G X 12, FLANGE, HEAD, CS, G5, CD
DT-007	1000714-0001	1	WELDMENT: ADAPTER, HUB
DT-008	0017-00104-0469	3	Hardware: Flat Washer 16MM OD
DT-009	0017-00101-2002	4	Hardware: Tension Bolt 60MM
DT-010	0017-00101-2150	1	SCREW: M8 X 1.25 6G6H X 20, UHS, HXW, CS, ST, ZB
DT-011	1003388-0001	2	NUT: M8 X 1.25-6H, DIN, UNF, HEX, LOCKNUT
DT-012	1003381-0001	1	GENERATOR: BRAKE W/EXT. CLUTCH
DT-013	0017-00100-0257	1	Retaining Ring
DT-014	0017-00104-0498	1	Hardware: Shaft Washer Small .734' OD
DT-015	0K66-01237-0000	1	Hardware: Shaft Washer Large
DT-016	AK66-00165-0000	1	NC: PULLEY ASSY: W/CLUTCH, UNIPLATE, ISO/DIN

## Front Roller & Leg Levelers



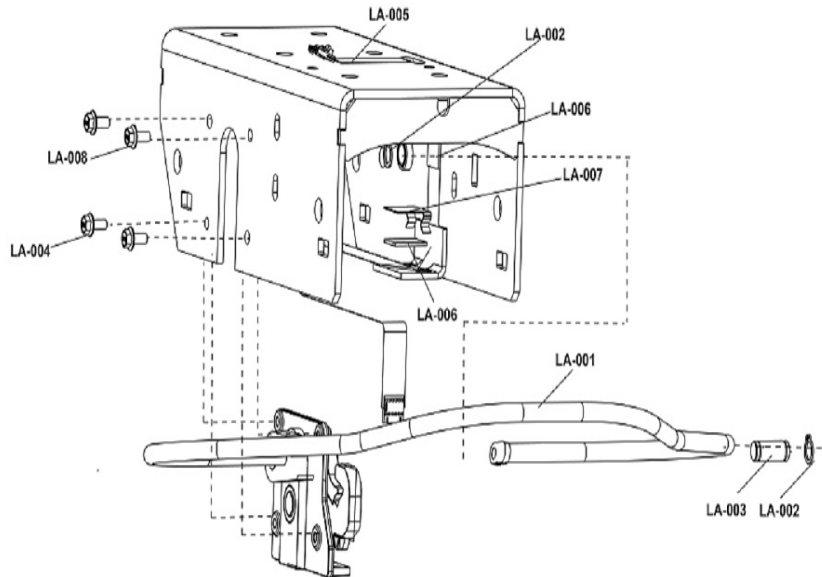
Ref #	Part Number	Qty	Description
FR-001	0017-00009-1191	6	Bullhorn Insert
FR-002	1006304-0001	4	BLOCK: LEVELER, CURVED
FR-003	1005369-0001	4	ENDCAP: FRONT, STABILIZIER
FR-004	AK62-00124-0000	4	Leg Leveler
FR-005	0017-00101-2150	8	SCREW: M8 X 1.25 6G6H X 20, UHS, HXW, CS, ST, ZB
FR-006	1001628-0001	2	NUT: SHAFT, BARREL, 8MM DIA, 30MM LONG
FR-007	1005421-0000	2	ASSEMBLY: FRONT ROLLER
FR-008	1001038-0001	2	SCREW: M6 X 1.0, SHOULDER
FR-009	1006347-0001	2	ASSEMBLY: WHEEL COVER
FR-010	0017-00009-1259	2	Insert: M6; Threaded

## Handlebars & Seat Mount Weldments



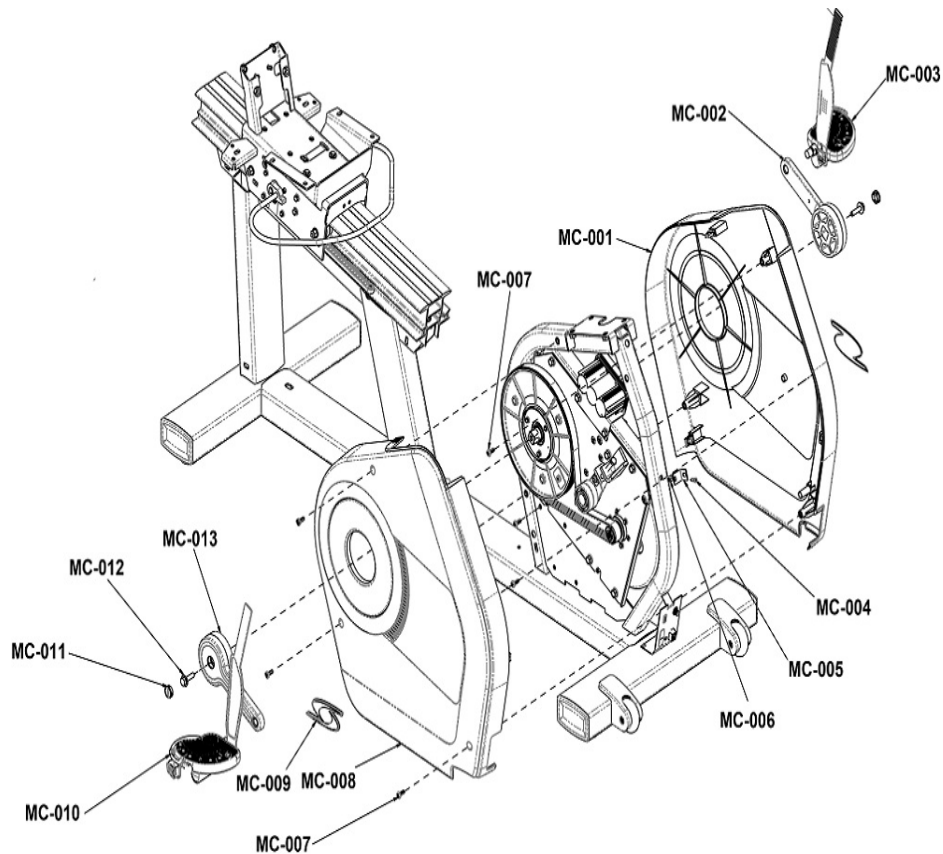
Ref #	Part Number	Qty	Description
HS-001	AW-23754	1	CABLE,CHR CONSOLE,625CR 770CR
HS-002	OAW-24234	4	CABLE, 525 TARC GXF BD TO MCC BD
HS-003	770A-355	1	CABLE, 770ACR, TO PEM AV
HS-004	770A-356	4	CABLE, 770ACR, MMC TO PEM AV
HS-005	AW-23819	4	CABLE,CONSOLE POWER,770C

# Lift Assembly



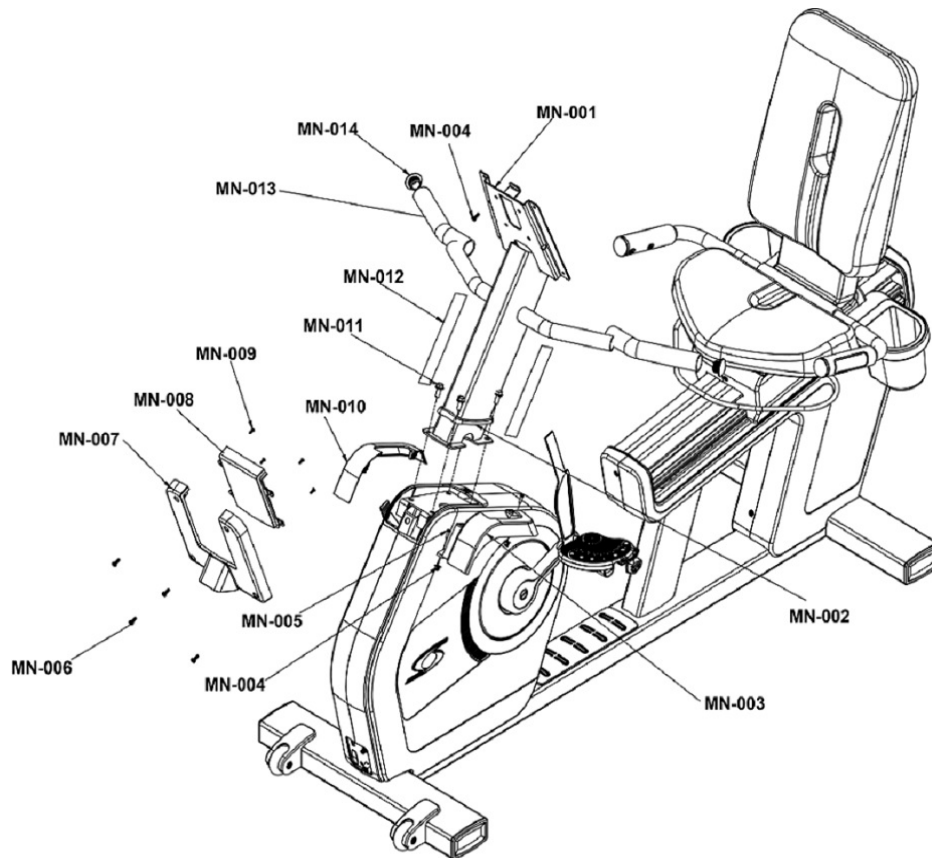
Ref #	Part Number	Qty	Description
LA-001	1003385-0002	1	ASSEMBLY: LATCH MODULE, 6 SERIES
LA-002	0017-00100-0253	2	Retaining Ring
LA-003	1002895-0001	1	SHAFT: PIVOT
LA-004	0017-00101-2151	3	SCREW: M5 X 0.8 6G6G X 12, FLANGE, HEAD, CS, G5, CD
LA-005	1002806-0001	1	CABLE ASSY: FLAT-FLEX
LA-006	1005361-0001	1	ADHESIVE: DOUBLE-SIDED TAPE
LA-007	1003369-0001	1	CLIP: FLAT-FLEX CABLE
LA-008	1007389-0001	1	SCREW: M5 X 0.8 X 12, DIN, HXS, SOC, CS, ST, BO

## Main Shroud & Crank Arms



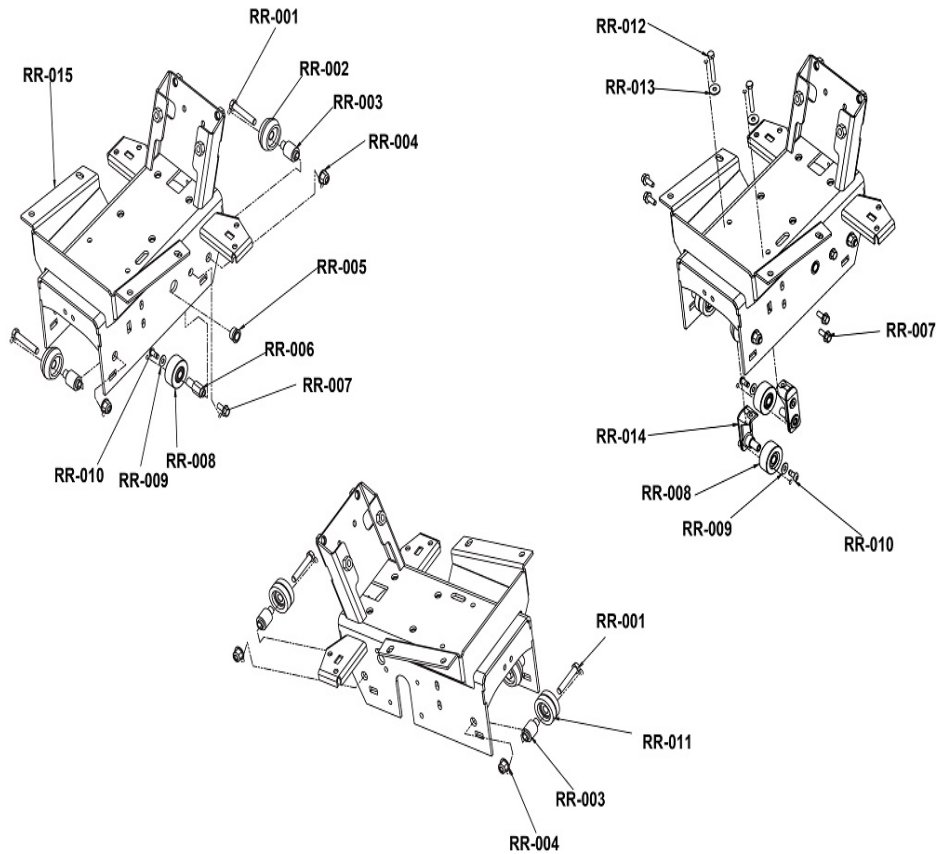
Ref #	Part Number	Qty	Description
MC-001	1004991-0000	1	SHROUD ASSY: FRONT, LEFT, RECUMBENT
MC-002	1004561-0001	1	CRANK ARM: LEFT
MC-003	1006920-0001	1	ASSEMBLY: PEDAL, LIFECYCLE, LEFT
MC-004	0017-00101-1796	1	Hardware: Mounting Screw 19 MM
MC-005	1002971-0001	1	BRACKET: SHROUD CLIP
MC-006	0017-00042-1147	8	Hardware: Nylon Grommet
MC-007	0017-00101-2138	6	SCREW: M6 X 1.0 X 16, DIN, PHL, PAN, MS, ST, ZB
MC-008	1004992-0000	1	SHROUD ASSY: FRONT, RIGHT, RECUMBENT
MC-009	1006521-0001	2	LOGO: BADGE, SHELBY
MC-010	1006921-0001	1	ASSEMBLY: PEDAL, LIFECYCLE, RIGHT
MC-011	0K66-01121-2400	2	CAP: CRANK, CHARCOAL GRAY
MC-012	0017-00101-2077	2	Hardware: Screw 30MM
MC-013	1004562-0001	1	CRANK ARM: RIGHT

## Monocolumn & Console Back



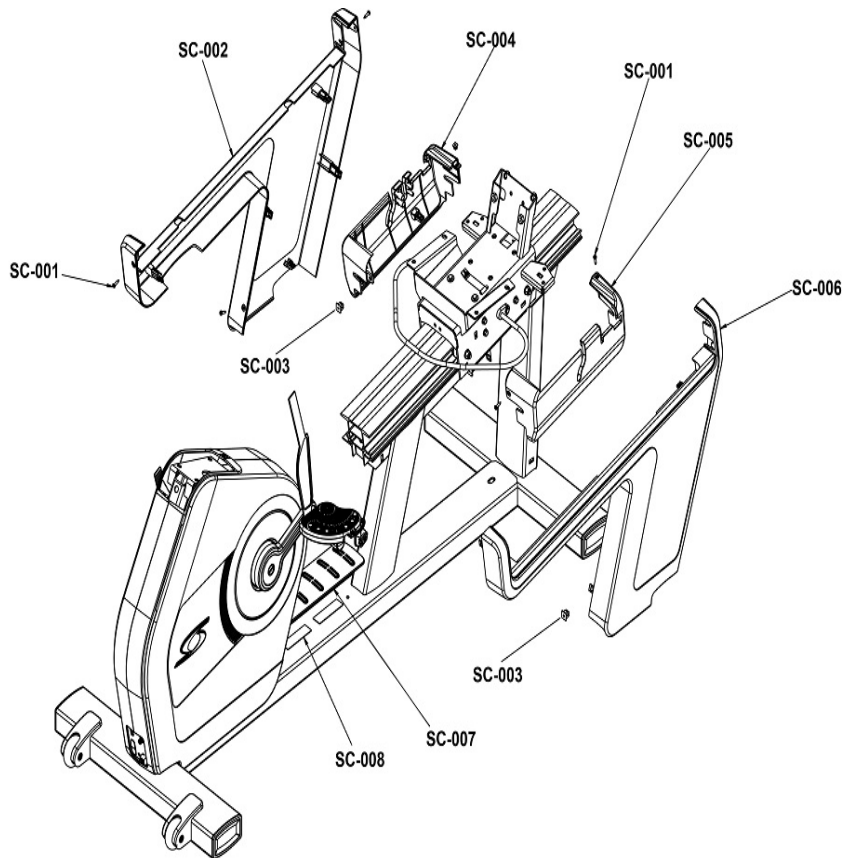
Ref #	Part Number	Qty	Description
MN-001	1004801-1110	1	WELDMENT, MONOCOLUMN, RECUMBENT
MN-002	1006214-0000	1	GASKET: MONOCOLUMN, RECUMBENT
MN-003	1004993-0000	1	SHROUD: MONOCOLUMN, LEFT, RECUMBENT
MN-004	0017-00042-1147	2	Hardware: Nylon Grommet
MN-005	0017-00101-1796	2	Hardware: Mounting Screw 19 MM
MN-006	0017-00101-1940	5	Hardware: Screw 14MM
MN-007	1006208-0000	1	SHROUD: CONSOLE BACK, RECUMBENT
MN-008	1006075-0000	1	SHROUD, CONSOLE BACK CENTER
MN-009	0017-00101-1650	4	Hardware: Phillips Pan Screw 0.375"
MN-010	1004994-0000	1	SHROUD ASSY: MONOCOLUMN, RIGHT, RECUMBENT
MN-011	0017-00101-2150	4	SCREW: M8 X 1.25 6G6H X 20, UHS, HXW, CS, ST, ZB
MN-012	1006450-0002	2	LABEL: CYBEX LOGO, BIKES, CHARCOAL
MN-013	1003840-0700	2	GRIP: RECUMBENT, BLACK
MN-014	0K76-01091-0700	2	End Cap

## Roller & Seat Carriage



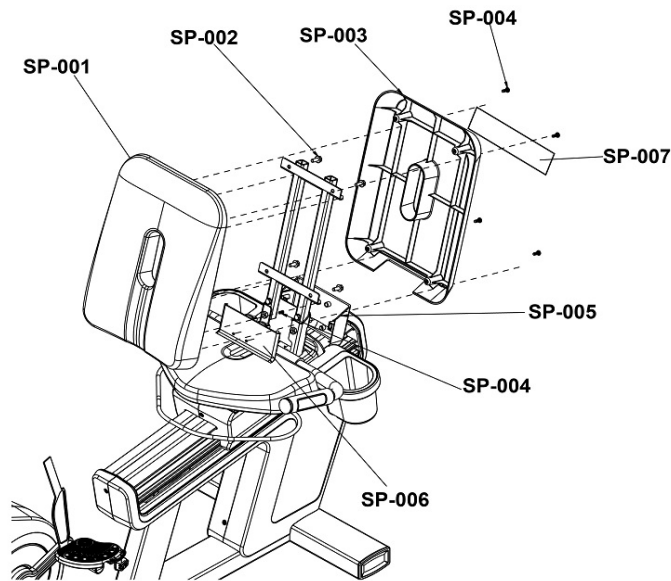
Ref #	Part Number	Qty	Description
RR-001	0017-00101-2037	4	Hardware: SCR: M8 X 1.25 X 50 HEX
RR-002	0K51-01034-0001	2	Seat Roller: Right
RR-003	1003366-0001	4	HUB: ROLLER
RR-004	1003388-0001	4	NUT: M8 X 1.25-6H, DIN, UNF, HEX, LOCKNUT
RR-005	1004352-0001	1	BEARING: 10MM ID, PRESS-FIT, SELF-ALIGNING, ACETAL
RR-006	1003788-0001	1	SHAFT: TENSION ROLLER
RR-007	1003368-0001	5	SCREW: M6 X 1.0 X 16, DIN, UNS, HXW, CS, ST, ZB
RR-008	0K19-01130-0000	3	Preload Roller
RR-009	0017-00104-0072	3	Hardware: Flat Washer 0.562" OD
RR-010	0017-00101-2014	3	SCREW: M6 X 1-6G6H X 14, DIN, HEX, BUT, L, ST, ZB
RR-011	1003365-0001	2	ROLLER: SEAT, LEFT SIDE
RR-012	0017-00101-2064	2	SCREW: M6 X 1 X 40, HEX HEAD, CAP
RR-013	0017-00104-0468	2	Hardware: Washer 18 MM OD
RR-014	1003371-0001	2	ASSEMBLY: ROLLER TENSIONER
RR-015	1005394-7401	1	WELDMENT: SEAT CARRIAGE, 6 SERIES, CHAR GREY

## Seat Carriage & Seat Rail Shrouds



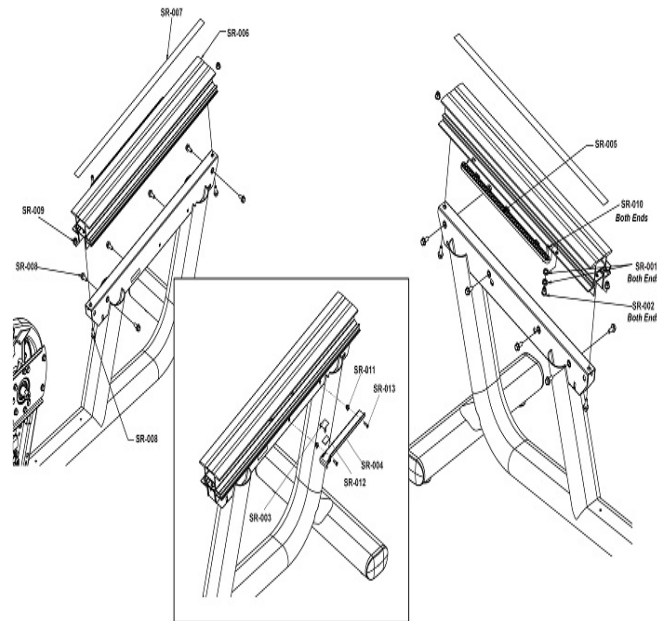
Ref #	Part Number	Qty	Description
SC-001	0017-00101-1796	5	Hardware: Mounting Screw 19 MM
SC-002	1004792-0000	1	SHROUD ASSY: SEAT RAIL, RIGHT, RECUMBENT
SC-003	0017-00042-1147	5	Hardware: Nylon Grommet
SC-004	1005631-0001	1	SHROUD ASSY: SEAT CARRIAGE, RIGHT
SC-005	1005630-0001	1	SHROUD ASSY: SEAT CARRIAGE, LEFT
SC-006	1004791-0000	1	SHROUD ASSY: SEAT RAIL, LEFT, RECUMBENT
SC-007	1004456-0001	1	COVER: STEP THRU
SC-008	0K61-04115-0002	2	Adhesive Tape

**Seat Pad**



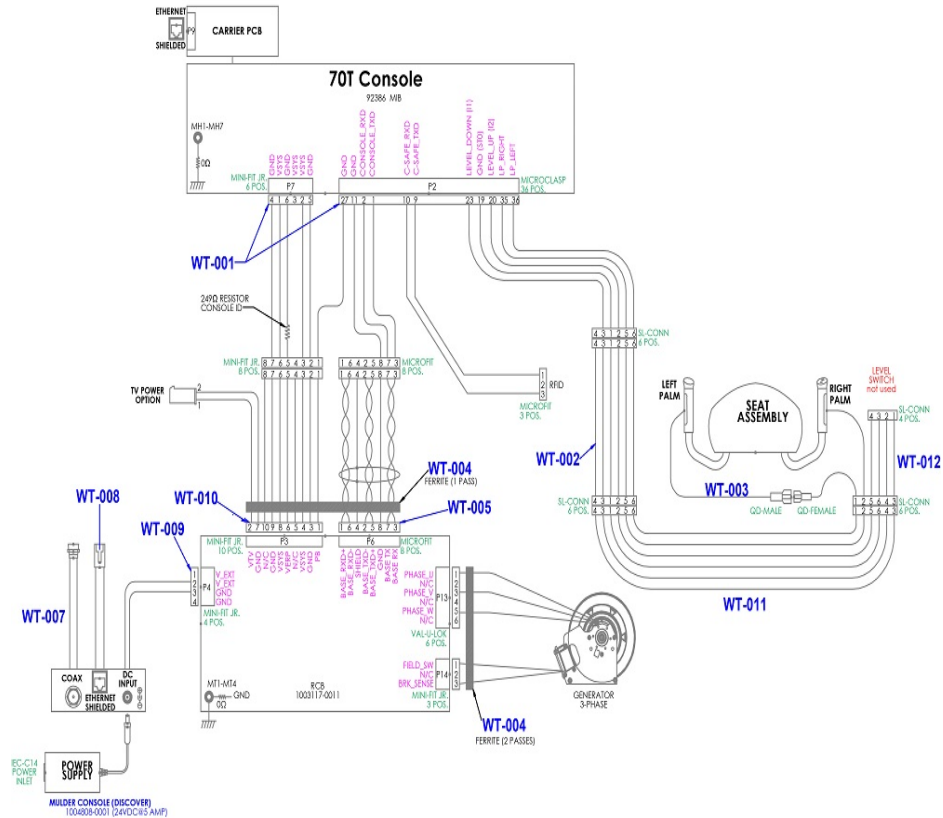
Ref #	Part Number	Qty	Description
SP-001	1004793-0000	1	ASSEMBLY: PAD, SEAT BACK
SP-002	0017-00101-2150	4	SCREW: M8 X 1.25 6G6H X 20, UHS, HXW, CS, ST, ZB
SP-003	1005487-0001	1	COVER: SEAT BACK, RECUMBENT
SP-004	0017-00101-2138	6	SCREW: M6 X 1.0 X 16, DIN, PHL, PAN, MS, ST, ZB
SP-005	1006081-0001	1	SHROUD ASSY: RECLINE BACK, 6-SERIES
SP-006	1006080-0001	1	SHROUD ASSY: RECLINE FRONT, 6-SERIES
SP-007	1006450-0003	1	LABEL: CYBEX LOGO, BIKES, INK TRANSFER

## Seat Rail



Ref #	Part Number	Qty	Description
SR-001	1003441-0001	1	O-RING: 1/2ID X 3/4OD X 1/8SQ
SR-002	1003440-0001	2	HUB: STOP
SR-003	1003369-0001	2	CLIP: FLAT-FLEX CABLE
SR-004	1002803-0001	1	BRACKET: WIRE TRACK
SR-005	1002027-0001	1	RACK: LOCKING
SR-006	1002026-0002	4	EXTRUSION: SEAT RAIL, RECUMBENT, 6 SERIES
SR-007	1006991-0001	1	DECAL: EXTRUSION, RECUMBENT, CYBEX
SR-008	0017-00101-2150	8	SCREW: M8 X 1.25 6G6H X 20, UHS, HXW, CS, ST, ZB
SR-009	1003388-0001	2	NUT: M8 X 1.25-6H, DIN, UNF, HEX, LOCKNUT
SR-010	1005398-0001	2	SCREW: M6 X 1.0 X 16, DIN, HEX, SOC, CS, ST, BO
SR-011	0017-00042-1147	2	Hardware: Nylon Grommet
SR-012	1005361-0001	1	ADHESIVE: DOUBLE-SIDED TAPE
SR-013	0017-00101-1796	2	Hardware: Mounting Screw 19 MM

### Wiring Diagram - 70T Console



Ref #	Part Number	Qty	Description
WT-001	1006801-0001	1	CABLE: DISCOVER TO HERCULES ADAPTOR, RECUMBENT
WT-002	AK66-00104-0001	1	CBL ASSY: KEYPAD/LP, RECUMBENT
WT-003	AK66-00101-0000	1	Cable: Handlebar; Recumbent
WT-004	121E-00001-0023	1	FERRITE: SUPPRESSION, CORE-CASE
WT-005	1002239-0002	1	CABLE: CONSOLE TO BASE, SIGNAL, 1300MM
WT-006	1004808-0001	1	POWER SUPPLY: 100-240VAC TO 24VDC, 5A, 2.5MM PLUG
WT-007	AK65-00062-0000	1	Cable: Coax RG6 Base
WT-008	AK70-00092-0004	1	CABLE ASSY: CAT5E, V2, 63.5 INCH
WT-009	1003521-0001	1	CABLE: POWER, RCB TO PANEL, 5A, UPRIGHT BIKE
WT-010	1002258-0002	1	CABLE: CONSOLE TO BASE, POWER, 1300MM
WT-011	1002806-0001	1	CABLE ASSY: FLAT-FLEX
WT-012	1004202-0001	1	CABLE: RECUMBENT

