

Tread Base High VT Service Wheel

CRTE-ALLHX-SW01

Parts Manual

1/5/2019 13:05:12 PM

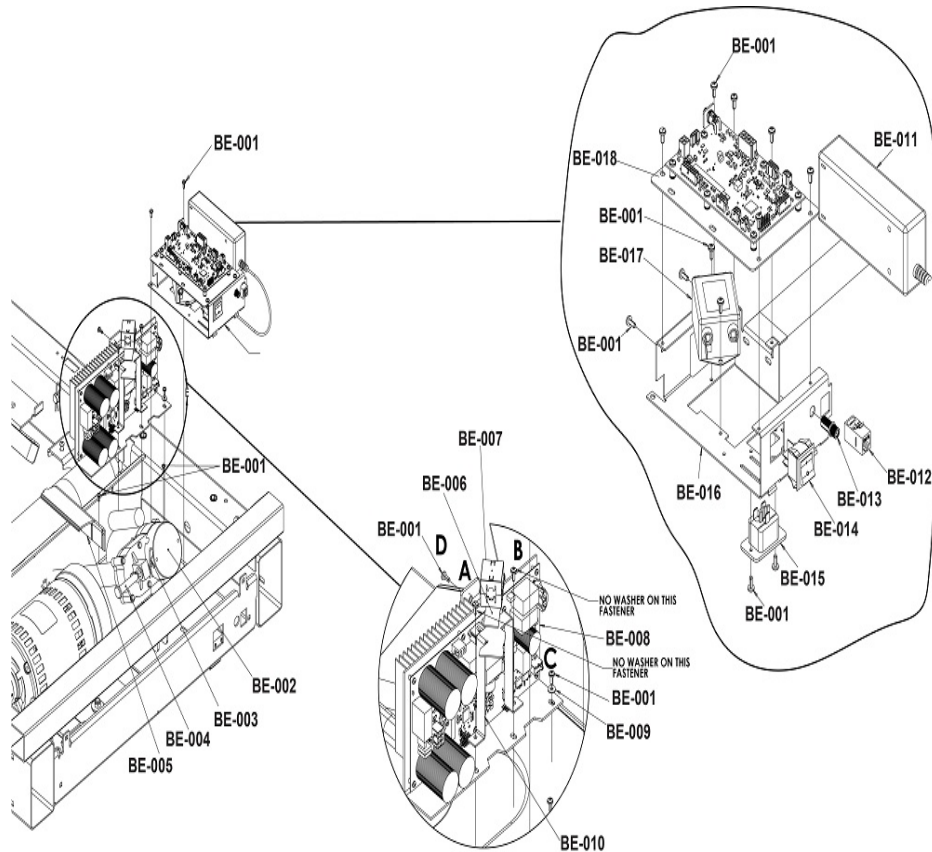


LifeFitness
WHAT WE LIVE FOR

Table of Contents

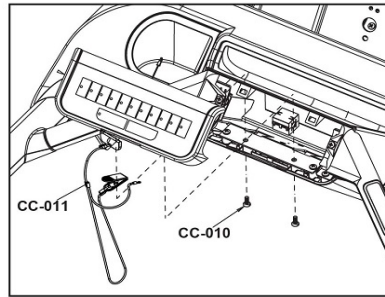
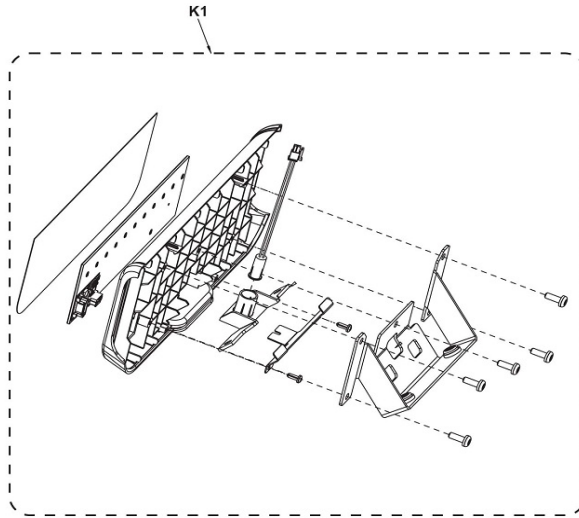
[Base Frame Electronics](#).....3
[Command Center](#).....4
[Console \(Rear Shrouds\) and Ground Braid](#).....5
[Deck, Rails, End Caps and Motor Shroud](#).....6
[Drive Motor, Pulley and Rollers](#).....8
[Handles](#).....9
[Handrails and Bridge Weldments](#).....10
[Lift Frame, Leg Levelers and Wheels](#).....11
[Power Cords](#).....12
[Service Wheel](#).....13
[Upper and Lower Birdge](#).....15
[Wiring Diagram Base](#).....16
[Wiring Diagram Base 70T Console](#).....17

Base Frame Electronics



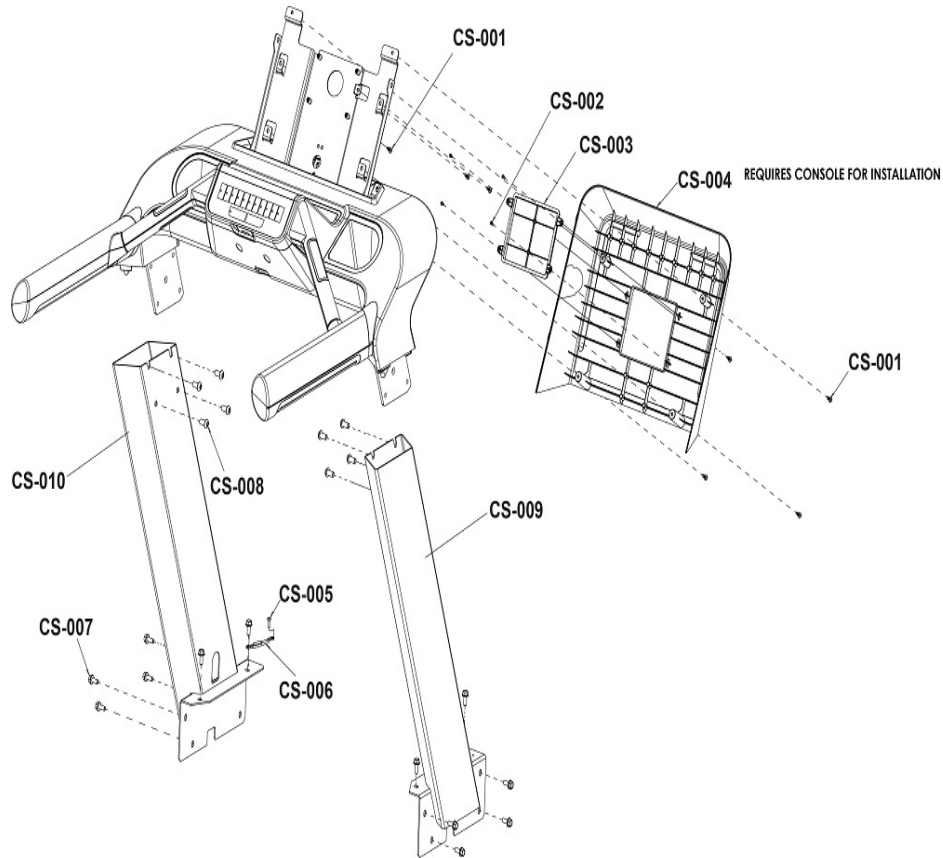
Ref #	Part Number	Qty	Description
BE-001	0017-00101-1968	21	Hardware: Ground Screws 10MM
BE-002	1001013-0001	1	ACTUATOR: LINEAR, 115V
BE-003	1004469-0001	1	PIN: COTTER
BE-004	1002162-0001	1	PIN: M12, CLEVIS
BE-005	1003261-0001	1	COVER: ACTUATOR, TOP
BE-006	0017-00081-0346	1	TAPE: ADHESIVE, DOUBLE-SIDED
BE-007	121E-00001-0010	1	Electrical:Ferrite-Bead: Supression B
BE-008	1003844-0001	1	ASSEMBLY: MDB, PC BOARD ASSY, TREADMILL
BE-009	1005472-0001	1	WASHER: M4.4 X 11 X 1, ST, ZN
BE-010	1006254-0001	1	BRACKET: FERRITE CORE
BE-011	1001517-0001	1	POWER SUPPLY: 12 VDC, 3A
BE-012	0017-00021-3195	1	COUPLER: CAT5E, SHIELDED, RJ45
BE-013	0017-00021-2846	1	F-Type Panel Connector
BE-014	0017-00032-0198	1	On/Off Switch 22A
BE-015	0017-00003-0949	1	IEC Receptacle
BE-016	1003724-0001	1	BRACKET: ELECTRICAL MTG.
BE-017	0017-00003-1015	1	20 amp Line Filter (DOM)
BE-018	1004381-0001	1	ASSEMBLY: SIB, PC BOARD ASSY

Command Center



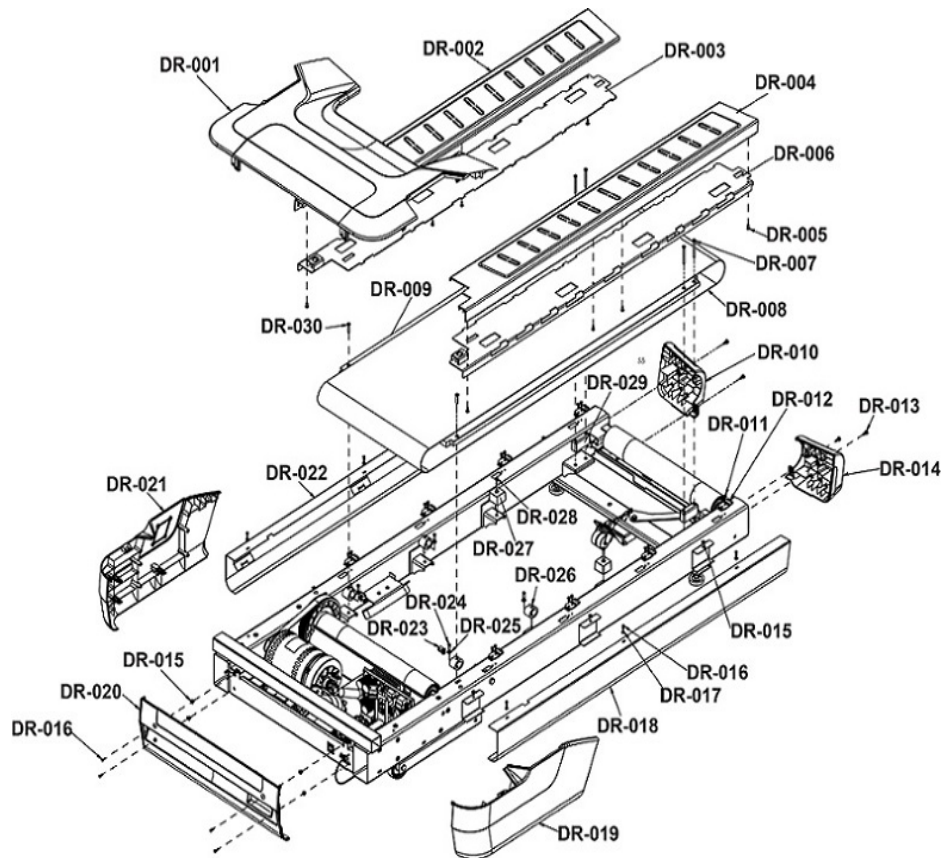
Ref #	Part Number	Qty	Description
K1	1010350-0001	1	KIT: COMMAND CENTER; SERVICE
CC-010	0017-00101-2138	2	SCREW: M6 X 1.0 X 16, DIN, PHL, PAN, MS, ST, ZB
CC-011	1005759-0001	1	ASSEMBLY: TETHER

Console (Rear Shrouds) and Ground Braid



Ref #	Part Number	Qty	Description
CS-001	0017-00101-1940	7	Hardware: Screw 14MM
CS-002	0017-00101-1650	4	Hardware: Phillips Pan Screw 0.375"
CS-003	1006272-0001	1	SHROUD: CONSOLE, FILLER
CS-004	1006459-0001	1	SHROUD: CONSOLE, BACK COVER, 6 SERIES
CS-005	0017-00101-1986	2	Hardware: Mounting Screw 16MM
CS-006	1006261-0001	1	CABLE: GROUNDING BRAID
CS-007	1005191-0001	12	SCREW: M8 X 1.25 6G6H X 20, UNS, HXW, CS, ST
CS-008	1006628-0001	8	SCREW: M10 X 20MM, BUTTON-HEAD CAP, ZN
CS-009	1004827-1111	1	WELDMNT: UPRIGHT, RIGHT, PLAT SPKL CARDIO ROBUST
CS-010	1003587-1111	1	WELDMNT: UPRIGHT, LEFT, PLAT SPKL CARDIO ROBUST

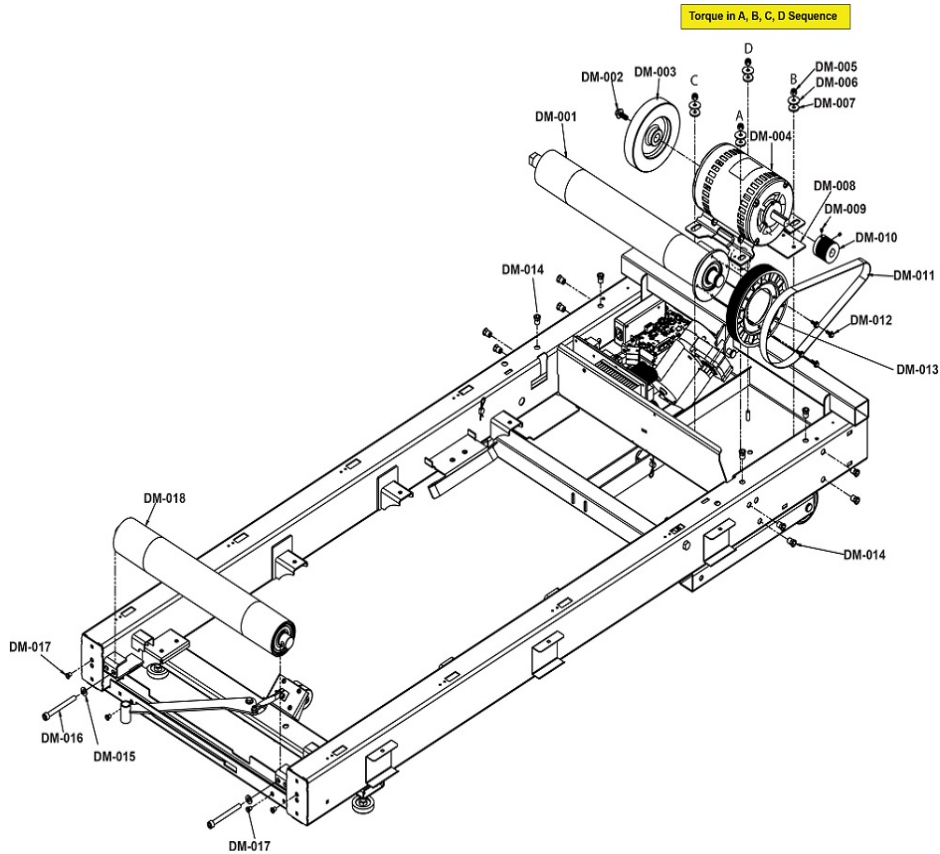
Deck, Rails, End Caps and Motor Shroud



Ref #	Part Number	Qty	Description
DR-001	1005391-0001	1	SHROUD ASSY: MOTOR, TOP
DR-002	1005285-0001	1	RAIL, OUTER PLASTIC, TOP STEP, RIGHT
DR-003	1005689-0001	1	WELDMENT: TOP STEP, RIGHT, 6 SERIES
DR-004	1005014-0000	1	RAIL, OUTER PLASTIC, TOP STEP, LEFT
DR-005	1006084-0001	8	SCREW: M5 X 14MM PLASTITE 45, PPH, STL ZINC
DR-006	1005297-0001	1	WELDMENT: TOP STEP, LEFT, 6 SERIES
DR-007	1006136-0001	4	SCREW: M6 X 1.0 X 70MM, FSHCS
DR-008	1005178-0001	1	BELT: WALKING, 21.5" WIDE
DR-009	1005463-0002	1	DECK: RUNNING, IS4 PLUS
DR-010	1005467-0001	1	ENDCAP: THOROUGHbred, RIGHT
DR-011	0017-00101-2132	16	SCREW: M5 X 0.8 X 16, DIN, TRX, PAN, TT, ST, ZS
DR-012	1006198-0001	8	CLIP: TOP STEP CAPTURE
DR-013	0017-00101-2138	4	SCREW: M6 X 1.0 X 16, DIN, PHL, PAN, MS, ST, ZB
DR-014	1005141-0001	2	ENDCAP: THOROUGHbred, LEFT
DR-015	0017-00042-1147	10	Hardware: Nylon Grommet
DR-016	0017-00101-1796	6	Hardware: Mounting Screw 19 MM
DR-017	1005472-0001	6	WASHER: M4.4 X 11 X 1, ST, ZN
DR-018	1005210-1111	1	WELDMENT: BOTTOM RAIL, LEFT ROBUST PLATINUM SPARKLE
DR-018	1005210-9001	1	WELDMENT: BOTTOM RAIL, LEFT PLATINUM SPARKLE
DR-019	1005389-0001	1	SHROUD ASSEMBLY: MOTOR, LEFT
DR-020	1005144-0001	1	SHROUD: MOTOR, FRONT

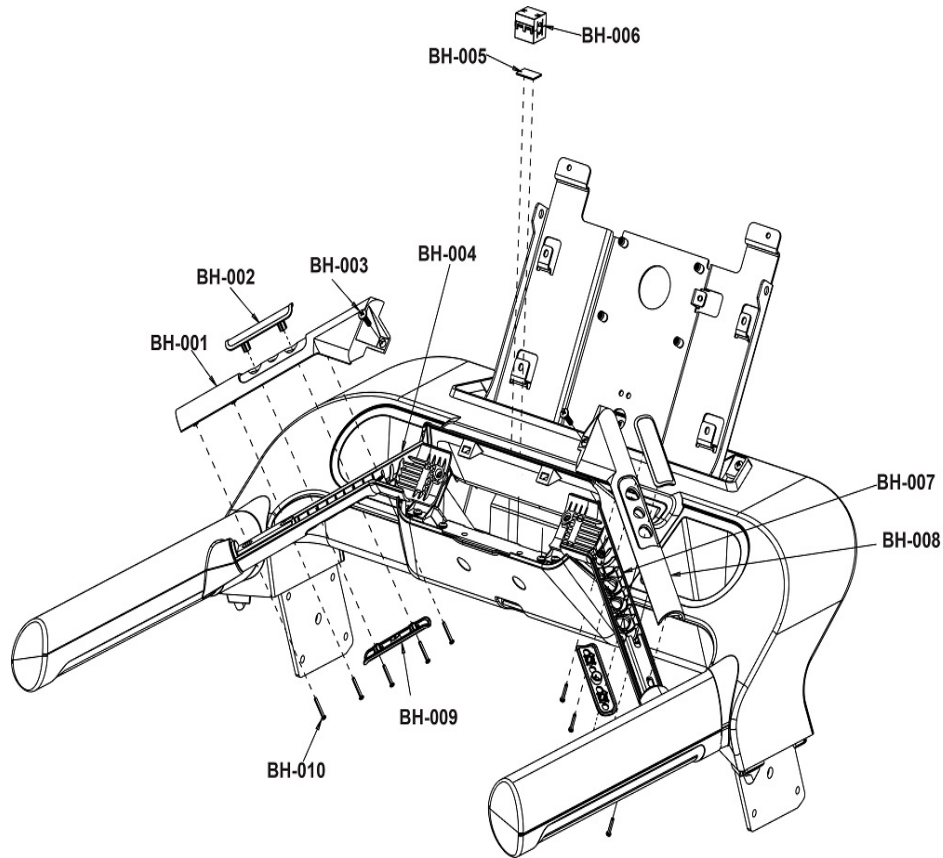
Ref #	Part Number	Qty	Description
DR-021	1005390-0001	1	SHROUD ASSEMBLY: MOTOR, RIGHT
DR-022	1005374-9001	1	WELDMENT: BOTTOM RAIL, RIGHT PLATINUM SPARKLE
DR-022	1005374-1111	1	WELDMENT: BOTTOM RAIL, RIGHT PLAT SPKL CARDIO ROBUST
DR-023	1001124-0001	2	NUT: U-CLIP, M6
DR-024	1005212-0001	4	SCREW: M6 X 1 X 20, HEX, BUT, CS, ST, ZB
DR-025	0017-00104-0072	4	Hardware: Flat Washer 0.562" OD
DR-026	0K40-01026-0002	4	Deck Spring
DR-027	1006124-0001	2	BLOCK: IS4 3RD ROW
DR-028	1006360-0001	2	SCREW: M6 X 1 X 40MM, LG, SHCS
DR-029	1006126-0001	2	BLOCK: IS4 REAR MOUNTING
DR-030	1000722-0001	2	SCREW: M6 X 1.0 X 35, FSHCS

Drive Motor, Pulley and Rollers



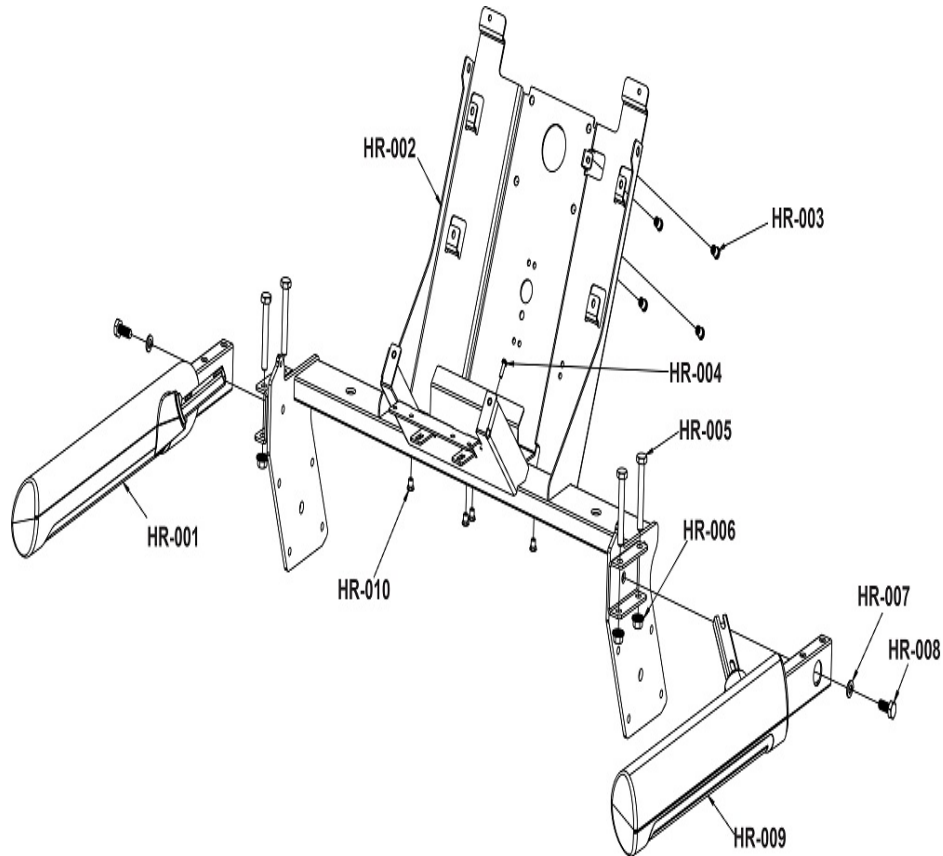
Ref #	Part Number	Qty	Description
DM-001	1000841-0001	1	ROLLER: FRONT, 3.5" DIA
DM-002	1005547-0001	1	SCREW: M10 X 1.50 6G6H X 25, UNS, FLG, CS, ST, ZB, W/PATCH
DM-003	0K65-01221-0000	1	Flywheel with Fan
DM-004	1002167-0000	1	MOTOR: AC, 4HP, INDUCTION
DM-005	0017-00103-0333	4	Hardware: Hex Nut
DM-006	0017-00104-0409	4	Hardware: Washer 1.125" OD
DM-007	0K58-01255-0000	4	Hardware: Insulating Washers
DM-008	0K58-01256-0001	1	Insulating Pad
DM-009	1004627-0001	2	SCREW: M6 X 1.0 X 8, CONE POINT, SET SCREW
DM-010	1001483-0001	1	PULLEY: DRIVE
DM-011	1004417-0001	1	BELT: DRIVE
DM-012	1005249-0001	4	SCREW: M6 X 1 X 16, DIN, UNS, HXW, SERRATED, CS, ST, ZB
DM-013	1002171-0001	1	PULLEY: ROLLER
DM-014	0017-00009-1191	12	Bullhorn Insert
DM-015	0017-00104-0470	2	Hardware: Washer 20 MM OD
DM-016	1009113-0001	2	SCREW: M10 X 1.5 X 80, SHCS
DM-017	0017-00009-1259	4	Insert: M6; Threaded
DM-018	1001382-0001	1	ROLLER: REAR, 3.5" DIA

Handles



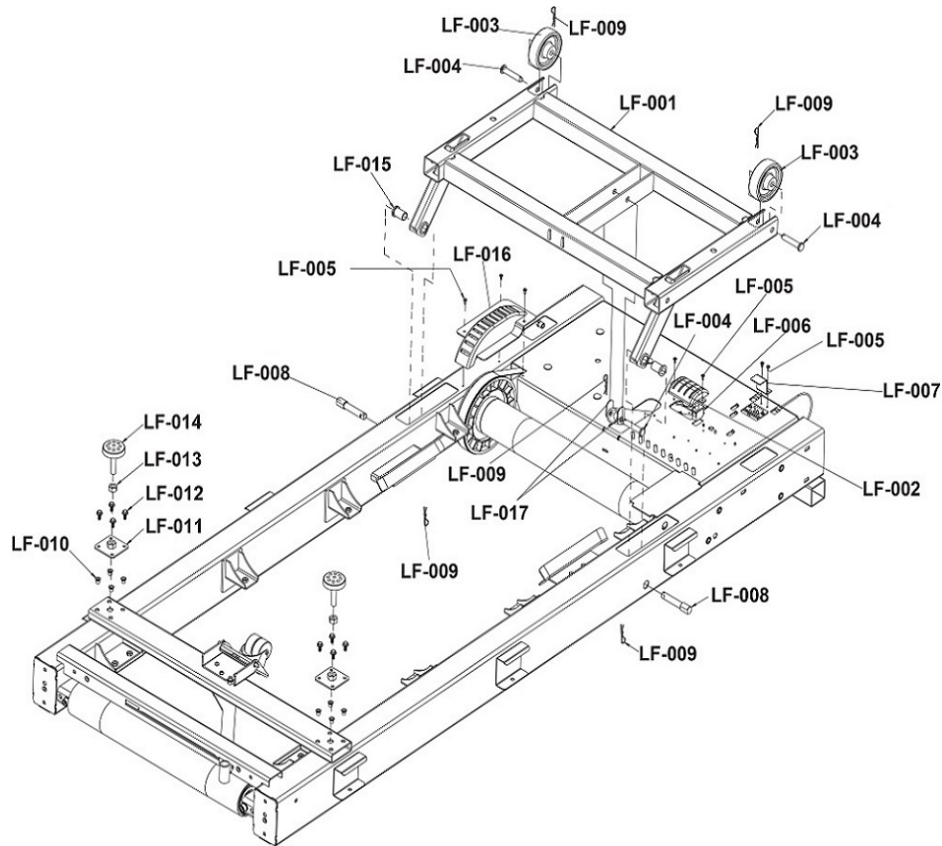
Ref #	Part Number	Qty	Description
BH-001	1006070-0001	1	SHROUD: HANDLE, UPPER LEFT, 6 SERIES
BH-002	AK69-00139-2404	2	ELECTRODE: INSERT-MOLDED ASSY, 4 INCH, TOP, CHARCOAL GARY
BH-003	1006413-0001	2	SCREW: M6 X 22MM, PPH, STL, ZC
BH-004	1006071-0001	1	SHROUD: HANDLE, LOWER LEFT
BH-005	0017-00081-0346	1	TAPE: ADHESIVE, DOUBLE-SIDED
BH-006	121E-00001-0010	1	Electrical:Ferrite-Bead: Supression B
BH-007	1006074-0001	1	SHROUD: HANDLE, LOWER RIGHT
BH-008	1006073-0001	1	SHROUD: HANDLE, UPPER RIGHT, 6 SERIES
BH-009	AK69-00140-2404	2	ELECTRODE: INSERT-MOLDED ASSY, 4 INCH, BOTTOM, CHARCOAL GRAY
BH-010	0017-00101-2054	10	Hardware: Screw 1"

Handrails and Bridge Weldments



Ref #	Part Number	Qty	Description
HR-001	1005545-0001	1	HANDRAIL: LEFT, 6 SERIES
HR-002	1004822-0000	1	WELDMENT: BRIDGE, THOROUGH BRED
HR-003	1008560-0001	4	INSERT: M6, RIVET NUT, CIRCULAR, ST
HR-004	0017-00101-1986	1	Hardware: Mounting Screw 16MM
HR-005	1006305-0001	4	SCREW: M10 X 1.5 X 75MM, HXS, HEX, ST, ZC, PATCH
HR-006	1006568-0001	4	NUT: M10 ZINC-PLTD CLASS 8 STL SERRATED-FLANGE
HR-007	1006589-0001	2	WASHER: M10 ZINC-PLATED STEEL SPLIT LOCK
HR-008	0017-00101-1965	2	M10 X1.5-6G6GX 25 DIN UNC HEX CAP ST ZN
HR-009	1005546-0001	1	HANDRAIL: RIGHT, 6 SERIES
HR-010	0017-00009-1259	4	Insert: M6; Threaded

Lift Frame, Leg Levelers and Wheels



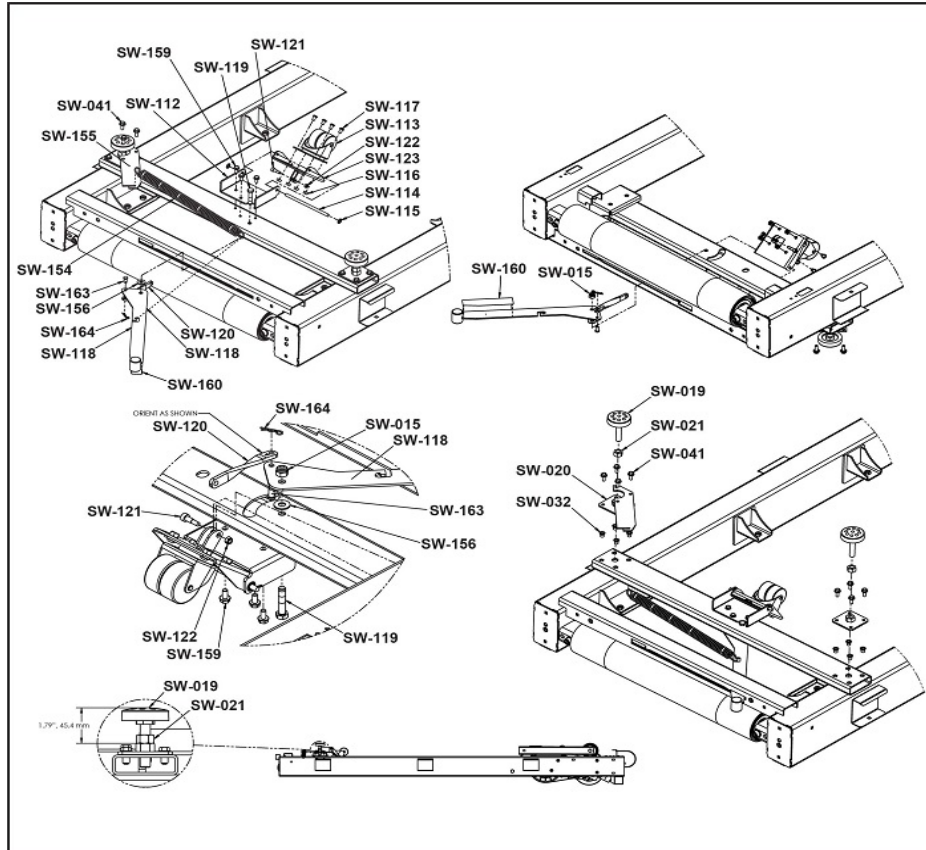
Ref #	Part Number	Qty	Description
LF-001	1000846-0000	1	FRAME: LIFT UNPAINTED
LF-002	1003252-0001	1	COVER: ACTUATOR, BOTTOM
LF-003	1001387-0001	2	WHEEL: LIFT FRAME
LF-004	1002162-0001	3	PIN: M12, CLEVIS
LF-005	0017-00101-1968	7	Hardware: Ground Screws 10MM
LF-006	0017-00032-0195	1	Home Switch
LF-007	1004354-0001	1	BRACKET: CABLE SUPPORT
LF-008	1000840-0000	2	SHAFT: LIFT FRAME, PIVOT
LF-009	1004469-0001	5	PIN: COTTER
LF-010	0017-00009-1259	8	Insert: M6; Threaded
LF-011	1002793-0001	2	PLATE: LEVELER MTG.
LF-012	1005249-0001	8	SCREW: M6 X 1 X 16, DIN, UNS, HXW, SERRATED, CS, ST, ZB
LF-013	1003534-0001	2	NUT: M12 X 1.75, HEX
LF-014	1001956-0001	2	LEVELER: BASE FRAME
LF-015	1001396-0001	2	BEARING: FLG SLV
LF-016	1002721-0001	1	COVER: PULLEY, ROLLER
LF-017	1001392-0001	2	WASHER: EZ GRIP

Power Cords

LC-001			96", 244 cm
LC-002			144", 366 cm
LC-003			96", 244 cm
LC-004			102", 260 cm
LC-005			144", 366 cm
LC-006			144", 366 cm
LC-007			144", 366 cm
LC-008			144", 366 cm
LC-009			144", 366 cm

Ref #	Part Number	Qty	Description
LC-001	0017-00003-0978	1	Line-Cord: R/A; NEMA 5-20 96" S/C-C
LC-002	0017-00003-0980	1	Line Cord: US Low Voltage 144"
LC-003	0017-00003-0974	1	Line Cord: 120V: 8'
LC-004	0017-00003-0781	1	Line Cord: US High Voltage
LC-005	0017-00003-0696	1	Line Cord: International High Voltage (Cont.) 103"
LC-006	0017-00003-0890	1	Line Cord: UK
LC-007	0017-00003-0996	1	Line Cord: Australia 230/50
LC-008	0017-00003-1054	1	Line Cord: Brazil IEC-C19
LC-009	0017-00003-1068	1	LINE-CORD: ARGENTINA, IRAM 2073, IEC-C19

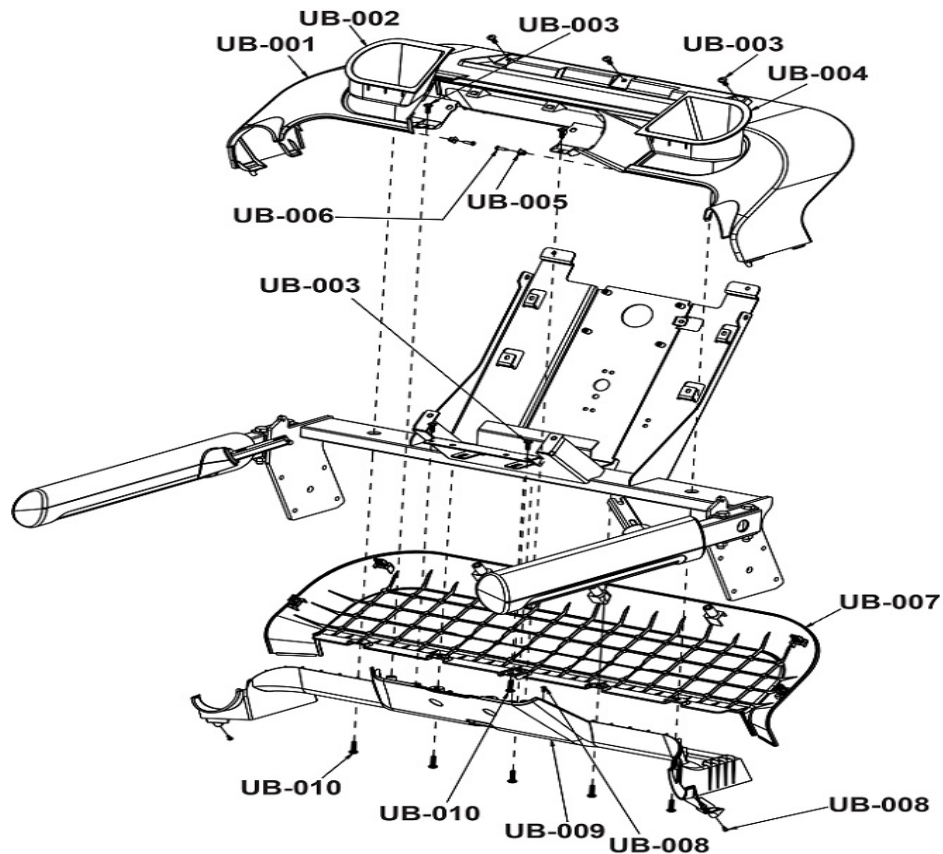
Service Wheel



Ref #	Part Number	Qty	Description
SW-015	0017-00103-0333	5	Hardware: Hex Nut
SW-019	1001956-0001	2	LEVELER: BASE FRAME
SW-020	1002793-0001	2	PLATE: LEVELER MTG.
SW-021	1003534-0001	2	NUT: M12 X 1.75, HEX
SW-032	0017-00009-1259	16	Insert: M6; Threaded
SW-041	1005249-0001	12	SCREW: M6 X 1 X 16, DIN, UNS, HXW, SERRATED, CS, ST, ZB
SW-112	1003600-0001	1	BRACKET: BOTTOM PIVOT, SERVICE WHEEL
SW-113	CW-25006	1	CASTOR,SWIVEL,SERVICE WHEEL
SW-114	1003609-0001	1	PIN: PIVOT, SERVICE WHEEL
SW-115	1003597-0001	2	RETAINING RING: 1/4 SELF LOCKING EXT
SW-116	0017-00103-0360	4	NUT:NUT M6 X 1.0 HEX D ST ZS
SW-117	1006331-0001	4	SCREW: M6-1.0 X 10 HXS BUT CS ST BZ (W/LOCKTITE)
SW-118	1003598-0000	1	WELDMNT: LEVER, SERVICE WHEEL
SW-119	0017-00101-1925	1	Hardware: Mounting Bolt 40MM
SW-120	1003613-0001	1	LINK: TWIST, SERVICE WHEEL
SW-121	1006044-0001	1	SCREW: M5 X 0.8, 6MM DIA SHOULDER
SW-122	1006046-0001	1	NUT: M5 NYLOCK
SW-123	1006042-0001	1	WELDMNT: WHEEL MOUNT
SW-154	1009037-0001	1	SPRING: EXTENSION, 7.75 X 0.875 OD
SW-155	1008944-0001	1	BRACKET: SPRING
SW-156	0017-00104-0510	1	Hardware: Washer 19 MM OD

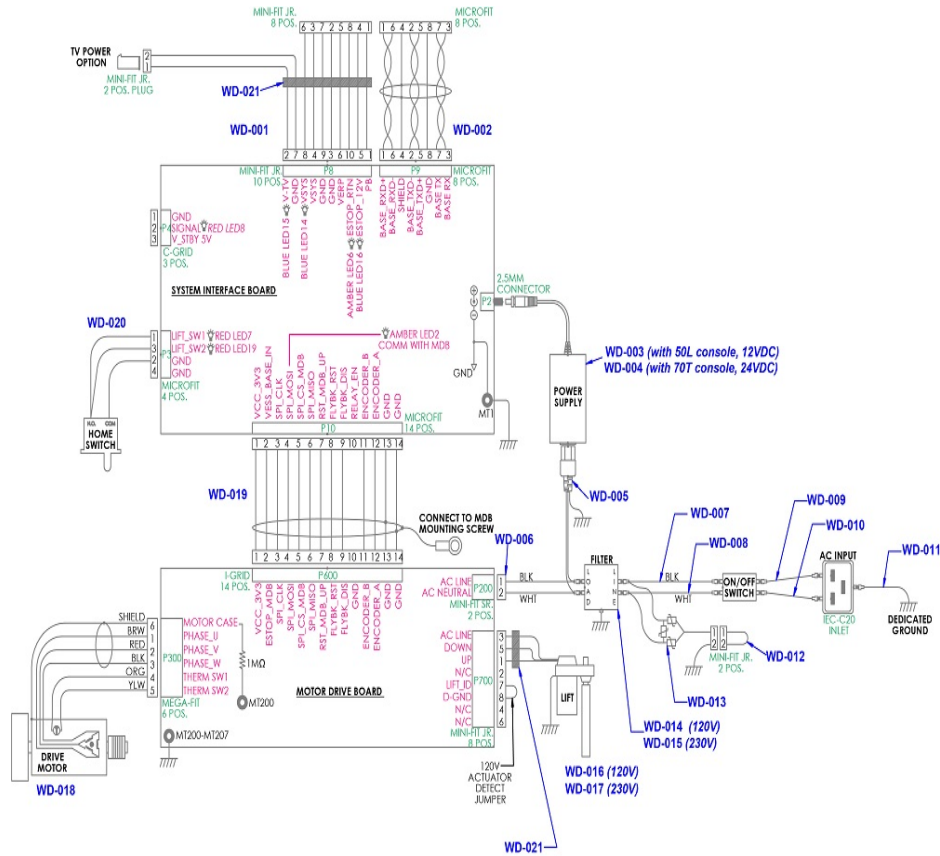
Ref #	Part Number	Qty	Description
SW-159	1009565-0001	3	BOLT: M6 X 1.0 X 12, TAPTITE
SW-160	1009126-0001	1	DECAL: PROTECTIVE, LEVER
SW-163	1010578-0001	1	PIN: 1/4, CLEVIS
SW-164	1010579-0001	1	PIN: COTTER

Upper and Lower Birdge



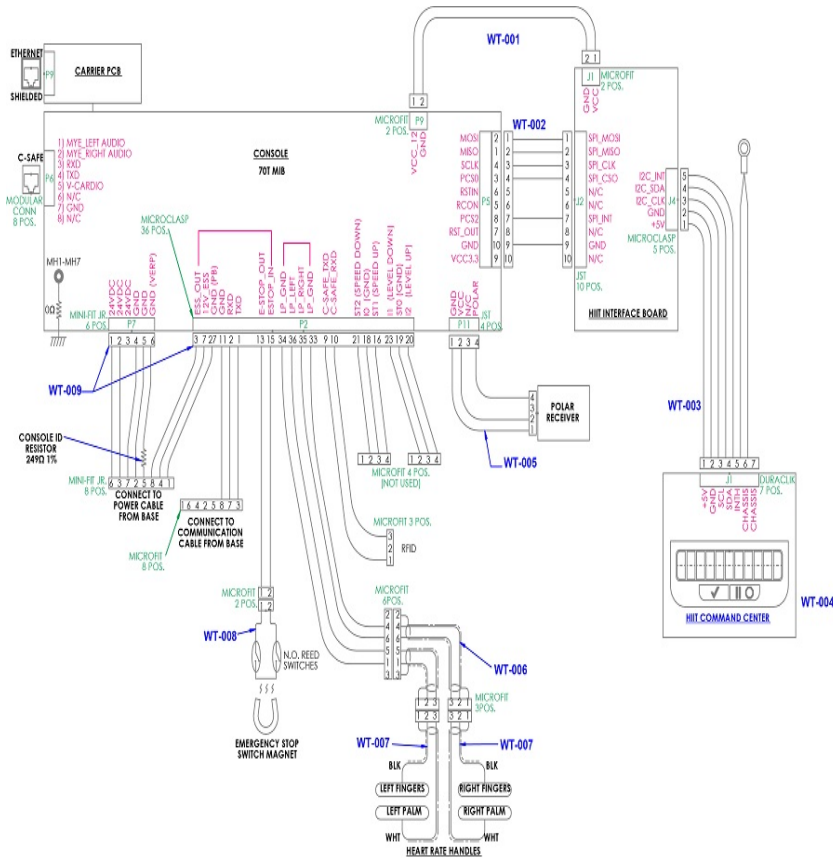
Ref #	Part Number	Qty	Description
UB-001	1006240-0001	1	SHROUD: UPPER BRIDGE
UB-002	1006243-0001	1	SHROUD ASSY: CUP HOLDER, LEFT
UB-003	0017-00101-2138	7	SCREW: M6 X 1.0 X 16, DIN, PHL, PAN, MS, ST, ZB
UB-004	1006244-0001	1	SHROUD ASSY: CUP HOLDER, RIGHT
UB-005	0017-00042-1147	1	Hardware: Nylon Grommet
UB-006	0017-00101-1796	2	Hardware: Mounting Screw 19 MM
UB-007	1006241-0001	1	SHROUD ASSY: LOWER BRIDGE, REAR
UB-008	0017-00101-1275	3	Hardware: Phillips Screw 0.375"
UB-009	1006242-0001	1	SHROUD ASSY: LOWER BRIDGE, FRONT
UB-010	1006413-0001	6	SCREW: M6 X 22MM, PPH, STL, ZC

Wiring Diagram Base



Ref #	Part Number	Qty	Description
WD-001	1002258-0004	1	CABLE: CONSOLE TO BASE, POWER, 2040MM
WD-002	1002239-0004	1	CABLE: CONSOLE TO BASE, SIGNAL, 2040MM
WD-003	1001517-0002	1	POWER SUPPLY: 12 VDC, 5A
WD-004	1004808-0001	1	POWER SUPPLY: 100-240VAC TO 24VDC, 5A, 2.5MM PLUG
WD-005	1004563-0001	1	CABLE: LINE FILTER TO POWER SUPPLY
WD-006	1004045-0001	1	CABLE: POWER INPUT
WD-007	1004044-0002	1	CABLE: SWITCH TO FILTER, BLACK
WD-008	1004044-0001	1	CABLE: SWITCH TO FILTER, WHITE
WD-009	1004046-0002	1	CABLE: POWER INPUT, BLACK
WD-010	1004046-0001	1	CABLE: POWER INPUT, WHITE
WD-011	1004201-0001	1	CABLE: GROUND
WD-012	AK58-00263-0000	1	Hi-Pot Jumper Cable
WD-013	AK58-00224-0001	1	Cable: MOV; Fliter
WD-014	0017-00003-1015	1	20 amp Line Filter (DOM)
WD-015	0017-00003-0898	1	10 amp Line Filter (INT)
WD-016	1001013-0001	1	ACTUATOR: LINEAR, 115V
WD-017	1001013-0002	1	ACTUATOR: LINEAR, 230V
WD-018	1002167-0000	1	MOTOR: AC, 4HP, INDUCTION
WD-019	1004243-0001	1	CABLE: SIB-MDB
WD-020	AK65-00074-0000	1	Cable: Home Switch
WD-021	121E-00001-0010	1	Electrical:Ferrite-Bead: Supression B

Wiring Diagram Base 70T Console



Ref #	Part Number	Qty	Description
WT-001	1006036-0001	1	CABLE ASSY: T3 I/O POWER promate
WT-002	1006062-0001	1	CABLE ASSY: T3 I/O SPI promate
WT-003	1006341-0001	1	CABLE ASSY: T3 I/O TO HIIT CENTER
WT-004	1009390-0001	1	KEYPAD: HIIT COMMAND CENTER
WT-005	AK92-00019-0000	1	CABLE ASSY, MIB POLAR TO POLAR RECEIVER
WT-006	1003838-0001	1	CABLE: LIFE PULSE TO ELECTRODES, TREAD
WT-007	1003871-0001	1	CABLE: LIFE PULSE ELECTRODES
WT-008	AK58-00036-0000	1	Cable-Assembly: Emergency-Stop Switch
WT-009	1006221-0001	1	CABLE: DISCOVER TO HERCULES ADAPTOR

